



ZE10-E1100



<u>Ref</u>	<u>Partnumber</u>	<u>Description</u>	<u>GX140</u>	<u>Serial Numbers</u>
001	28400-ZE1-003ZA	STARTER ASSY., RECOIL *R8 *	(1)	
003	28410-ZE1-003ZA	CASE COMP., RECOIL STARTER *R8 *	(1)	
005	28420-ZE1-003	PULLEY, RECOIL STARTER	(1)	
006	28422-ZE1-003	RATCHET, STARTER	(1)	
007	28423-ZE1-003	PIN, STARTER RATCHET	(1)	
008	28431-ZE1-003	PLATE, FRICTION	(1)	
009	28441-ZE1-003	SPRING, FRICTION	(1)	
010	28442-ZE1-003	SPRING, RECOIL STARTER	(1)	
011	28443-ZE1-003	GUIDE, RATCHET	(1)	
012	28445-ZE1-003	CASE, RECOIL STARTER SPRING	(1)	
013	28446-ZE1-003	WASHER, STARTER	(1)	
014	28447-ZE1-003	SHAFT, SUB	(1)	
015	28448-ZE1-003	NUT	(1)	
<u>Ref</u>	<u>Partnumber</u>	<u>Description</u>	<u>GX140</u>	<u>Serial Numbers</u>
016	28461-ZE1-003	KNOB, RECOIL STARTER	(1)	
017	28462-ZE1-003	ROPE, RECOIL STARTER	(1)	
020	95700-0601000	BOLT, FLANGE, 6X10	(3)	2077227
020	95701-0600800	BOLT, FLANGE, 6X8	3	2077228

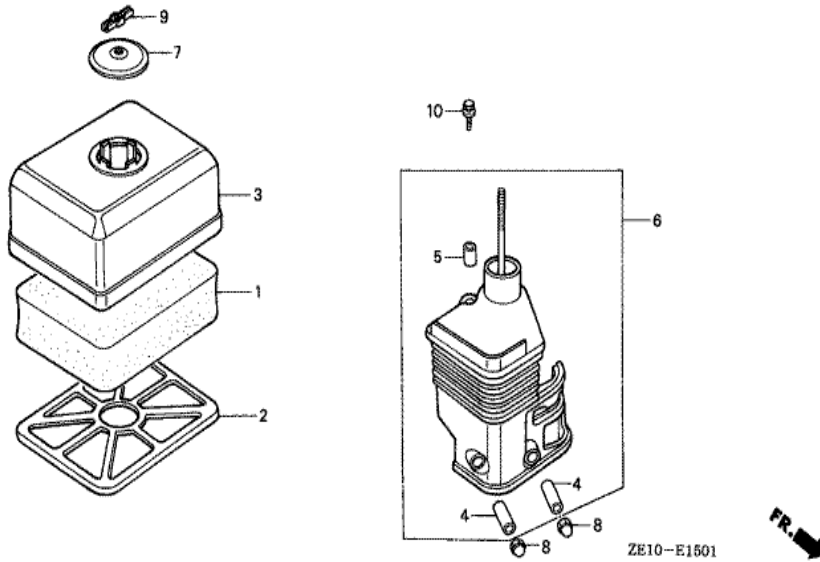


Ref	Partnumber	Description	GX140	Serial Numbers
002	19610-ZE1-000ZA	COVER COMP., FAN *R8 *	(1)	
005	19611-ZE1-000	PLATE, SIDE	(1)	3172661
005	19612-ZH8-000	PLATE, SIDE (STD.)	1	3172662
009	19631-ZE1-000	SHROUD COMP.	1	
010	36100-ZE1-005	SWITCH ASSY., ENGINE STOP	(1)	
011	36101-ZE1-000	CORD, STOP SWITCH (370MM)	(1)	3155568
011	36101-ZE1-010	CORD, STOP SWITCH (370MM)	1	
012	36103-ZE1-000	HOLDER, STOP SWITCH CORD	2	
014	90013-883-000	BOLT, FLANGE, 6X12 (CT200)	6	
015	90022-888-010	BOLT, FLANGE, 6X20 (CT200)	(1)	

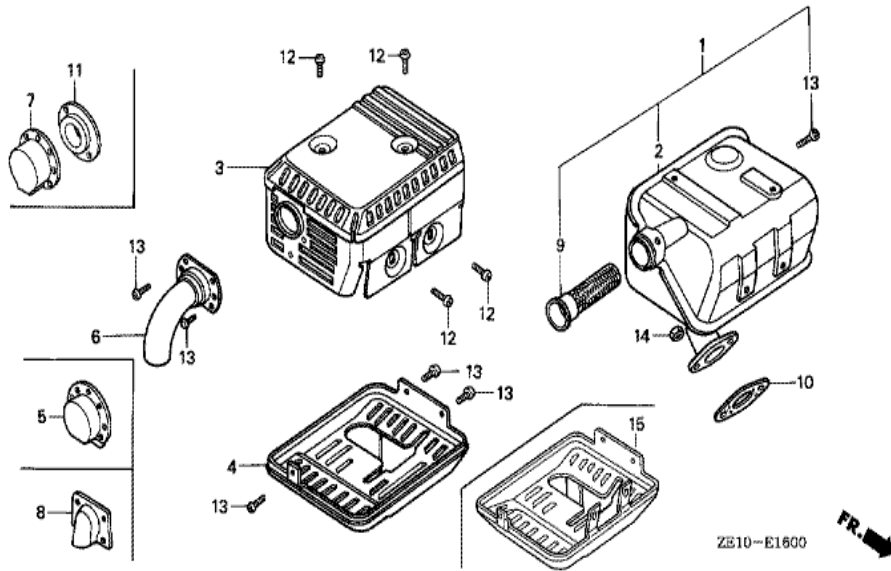


Ref	Partnumber	Description	GX140	Serial Numbers
002	16010-ZE1-811	GASKET SET	1	BE08A B
002	16010-ZE1-812	GASKET SET	1	BE08A C
003	16011-ZE0-005	VALVE SET, FLOAT	(1)	
004	16013-ZE0-005	FLOAT SET	(1)	
005	16015-ZE1-811	CHAMBER SET, FLOAT	(1)	
006	16016-ZE0-005	SCREW SET, PILOT	(1)	
007	16024-ZE1-811	SCREW SET, DRAIN	(1)	
008	16028-ZE0-005	SCREW SET	(1)	
009	16044-ZE0-005	CHOKE SET	(1)	
010	16100-ZE1-005	CARBURETOR ASSY. (BE05A A)	(1)	1152116
010	16100-ZE1-015	CARBURETOR ASSY. (BE05A B)	(1)	1152117 1379749
010	16100-ZE1-045	CARBURETOR ASSY. (BE05A E)	1	1379750
011	16124-ZE0-005	SCREW, THROTTLE STOP	(1)	

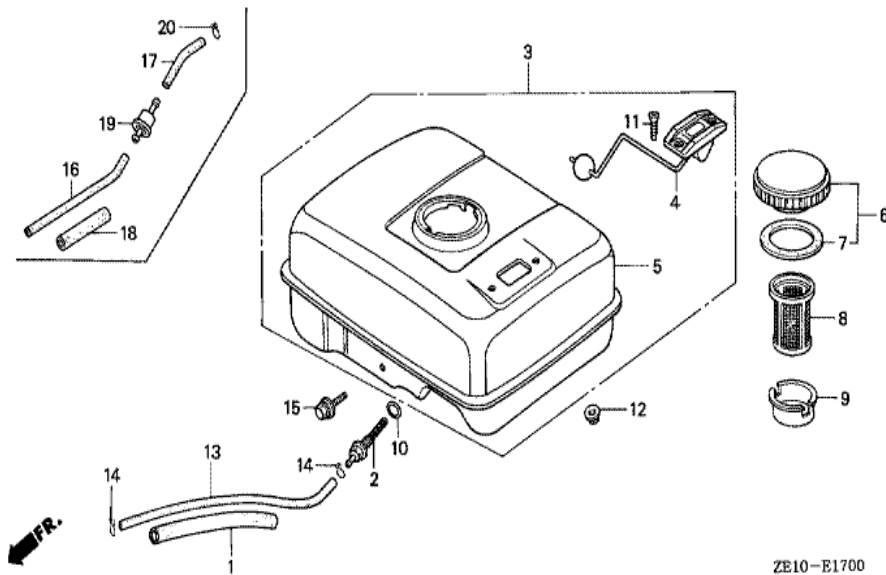
<u>Ref</u>	<u>Partnumber</u>	<u>Description</u>	<u>GX140</u>	<u>Serial Numbers</u>
012	16166-ZE1-005	NOZZLE, MAIN	(1)	
014	16211-ZE1-000	INSULATOR, CARBURETOR	1	
015	16220-ZE1-000	SPACER COMP., CARBURETOR	1	1786084
015	16220-ZE1-010	SPACER COMP., CARBURETOR	1	1786085 1892647
015	16220-ZE1-020	SPACER COMP., CARBURETOR	1	
016	16221-ZE1-000	PACKING, CARBURETOR	1	
017	16223-ZE1-000	PACKING, INSULATOR	1	
020	16610-ZE1-000	LEVER COMP., CHOKE (STD.)	(1)	
024	16953-ZE1-811	LEVER, COCK	1	BE05C B
025	16954-ZE1-811	PLATE, LEVER SETTING	1	BE05A B
026	16956-ZE1-811	SPRING, COCK LEVER	1	BE05C B
027	16957-ZE1-811	PACKING, FUEL COCK	1	BE05B D
027	16957-ZE1-812	PACKING, FUEL COCK	1	BE08A C
030	93500-030080H	SCREW, PAN, 3X8	2	BE05B B BE05B D
030	93500-030081G	SCREW, PAN, 3X8	2	BE08A C
033	94305-20122	PIN, SPRING, 2X12	1	
034	99101-1240620	JET, MAIN, #62	(1)	
034	99101-1240650	JET, MAIN, #65	(1)	
034	99101-1240680	JET, MAIN, #68	(1)	
035	99204-ZE00350	JET SET, PILOT, #35	(1)	



Ref	Partnumber	Description	GX140	Serial Numbers
001	17211-ZE1-000	ELEMENT, AIR CLEANER (SEMI DRY)	1	2397838
002	17212-ZE1-000	GRID, AIR CLEANER (SEMI DRY)	1	2397838
003	17231-ZE1-000	COVER, AIR CLEANER (SEMI DRY)	(1)	
004	17238-ZE1-000	COLLAR, AIR CLEANER	(2)	1786084
004	17238-ZE7-010	COLLAR, AIR CLEANER	2	1786085
005	17239-ZE1-000	COLLAR B, AIR CLEANER	(1)	
006	17410-ZE1-000	ELBOW COMP., AIR CLEANER	(1)	1220569
006	17410-ZE1-010	ELBOW COMP., AIR CLEANER	(1)	1220570 1786084
006	17410-ZE1-020	ELBOW COMP., AIR CLEANER	1	1786085
007	17421-ZE1-000	CAP, CLEANER	(1)	
008	90201-415-000	NUT, CAP, 6MM	2	2397838
009	90203-PB2-000	NUT, AIR CLEANER COVER (DACRO COATING)	1	2397838
010	93494-0602008	BOLT-WASHER, 6X20	(1)	

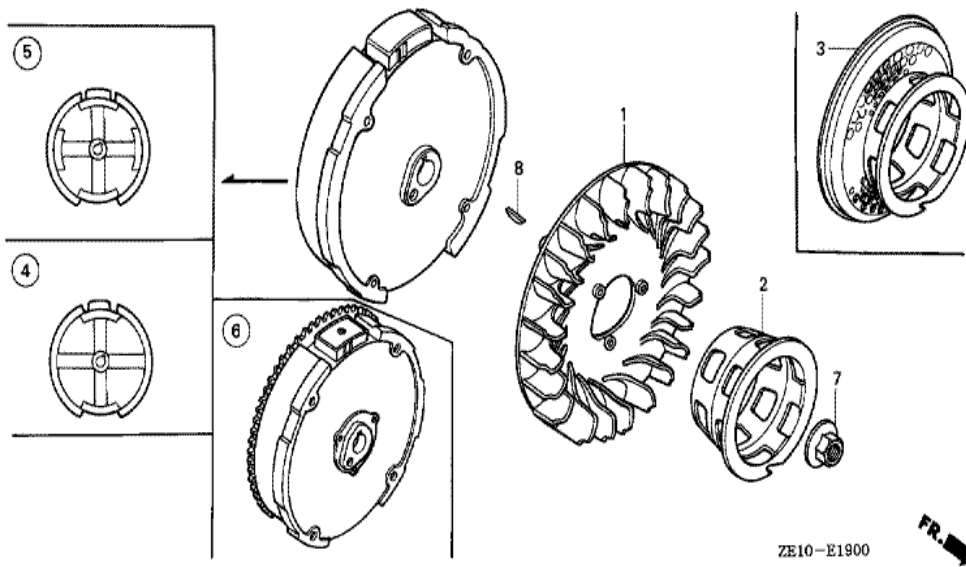


Ref	Partnumber	Description	GX140	Serial Numbers
002	18310-ZE1-000	MUFFLER COMP. (STD.)	(1)	1869307
002	18310-ZE1-010	MUFFLER COMP. (STD.)	(1)	1869308
003	18320-ZE1-000	PROTECTOR, UPPER	(1)	
010	18381-ZE1-000	GASKET, MUFFLER	1	
012	90050-ZE1-000	SCREW, TAPPING, 5X8	(4)	
013	90055-ZE1-000	SCREW, TAPPING, 4X6	(6)	
014	94001-08000S	NUT, HEX., 8MM	2	



ZE10-E1700

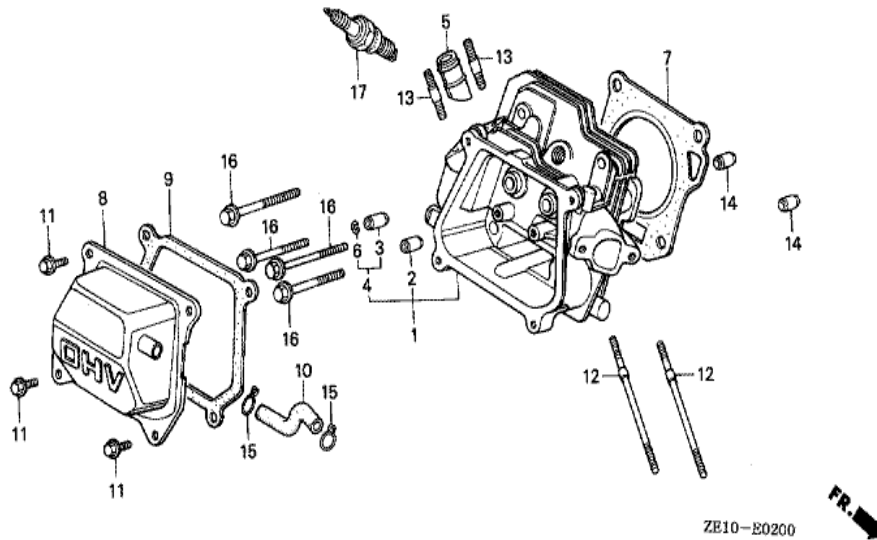
Ref	Partnumber	Description	GX140	Serial Numbers
001	16854-ZE1-000	RUBBER, SUPPORTER (107MM)	1	3201952
001	16854-ZH8-000	RUBBER, SUPPORTER (107MM)	1	3201953
002	16955-ZE1-000	JOINT, FUEL TANK	(1)	
005	17510-ZE1-010ZA	TANK COMP., FUEL *NH31 *	(1)	3033315
005	17510-ZE1-020ZA	TANK COMP., FUEL *NH31 *	1	3033316
006	17620-890-000	CAP COMP., FUEL FILLER	(1)	2115700
006	17620-890-010	CAP COMP., FUEL FILLER	1	2115701
007	17631-329-000	PACKING, FUEL FILLER CAP	(1)	2115700
007	17631-329-003	PACKING, FUEL FILLER CAP (39X58X3)	1	2115701
010	91353-671-004	O-RING, 14MM (NOK)	(1)	
012	94050-06000	NUT, FLANGE, 6MM	(2)	
013	95001-4514040	TUBE, FUEL, 4.5X140 (95001-45001-60M)	(1)	
014	95002-02080	CLIP, TUBE (B8)	(2)	
Ref	Partnumber	Description	GX140	Serial Numbers
015	95900-0602500	BOLT, FLANGE, 6X25	(1)	



ZE10-E1900



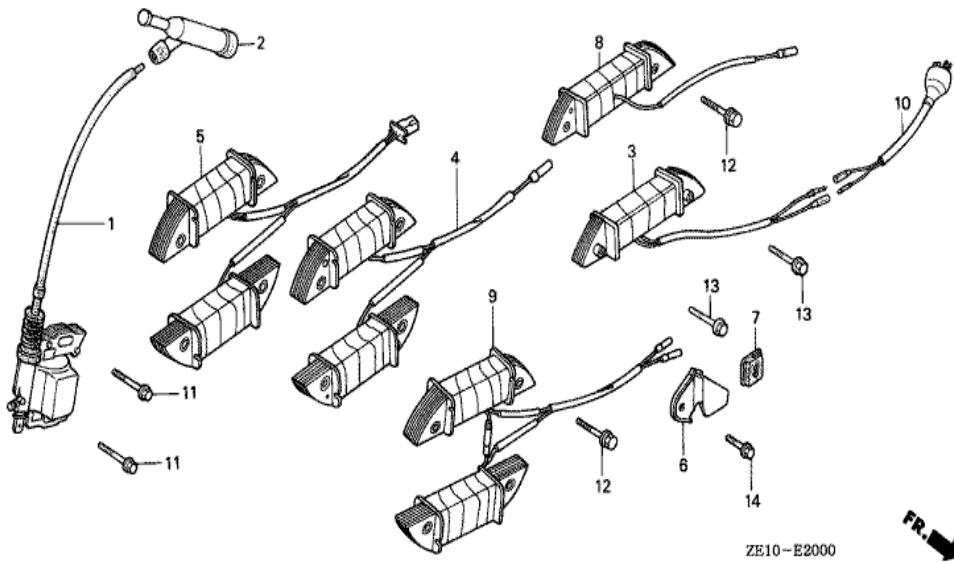
Ref	Partnumber	Description	GX140	Serial Numbers
001	19511-ZE1-000	FAN, COOLING	1	
002	28451-ZE1-003	PULLEY, STARTER	(1)	
004	31100-ZE1-000	FLYWHEEL COMP.	(1)	
007	90201-878-003	NUT, SPECIAL, 14MM	1	
008	13331-357-000	KEY, SPECIAL WOODRUFF, 25X18	1	
008	94401-25180	KEY, WOODRUFF, 25X18	1	1328672



ZE10-E0200



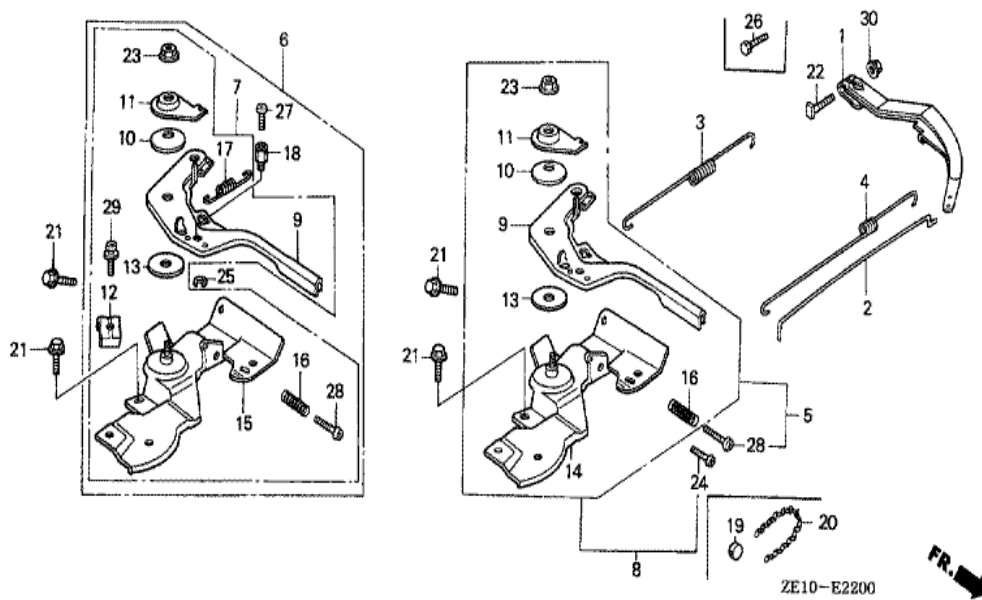
<u>Ref</u>	<u>Partnumber</u>	<u>Description</u>	<u>GX140</u>	<u>Serial Numbers</u>
001	122A0-ZE1-000	HEAD COMP., CYLINDER	1	1206239
001	122A0-ZE1-010	HEAD COMP., CYLINDER	1	1206240 1369812
001	122A0-ZE1-020	HEAD COMP., CYLINDER	1	1369813
002	12204-ZE1-305	GUIDE, IN. VALVE (OS)	(1)	
003	12205-ZE1-305	GUIDE, EX. VALVE (O.S.)	(1)	1369812
004	12205-ZE1-315	GUIDE, EX. VALVE (OS)	(1)	1369813
006	12216-ZE5-300	CLIP, VALVE GUIDE	1	
007	12251-ZE1-000	GASKET, CYLINDER HEAD	1	
008	12310-ZE1-000	COVER COMP., HEAD	(1)	
009	12391-ZE1-000	PACKING, HEAD COVER	1	
010	15721-ZE1-000	TUBE, BREATHER	1	1220569
010	15721-ZE1-010	TUBE, BREATHER	1	1220570
011	90013-883-000	BOLT, FLANGE, 6X12 (CT200)	4	1049824
<u>Ref</u>	<u>Partnumber</u>	<u>Description</u>	<u>GX140</u>	<u>Serial Numbers</u>
011	90016-ZE1-000	BOLT, FLANGE, 6X13 (CT200)	4	1049825
012	90043-ZE1-000	BOLT, STUD, 6X109	2	1206239
012	90043-ZE1-010	BOLT, STUD, 6X109	2	
013	90047-ZE1-000	BOLT, STUD, 8X32	2	
014	94301-10160	DOWEL PIN, 10X16	2	
016	95723-0806000	BOLT, FLANGE, 8X60	4	
017	98079-56841	PLUG, SPARK (BP6ES) (NGK)	(1)	
017	98079-56854	PLUG, SPARK (W20EP-U) (DENSO)	(1)	



ZE10-E2000

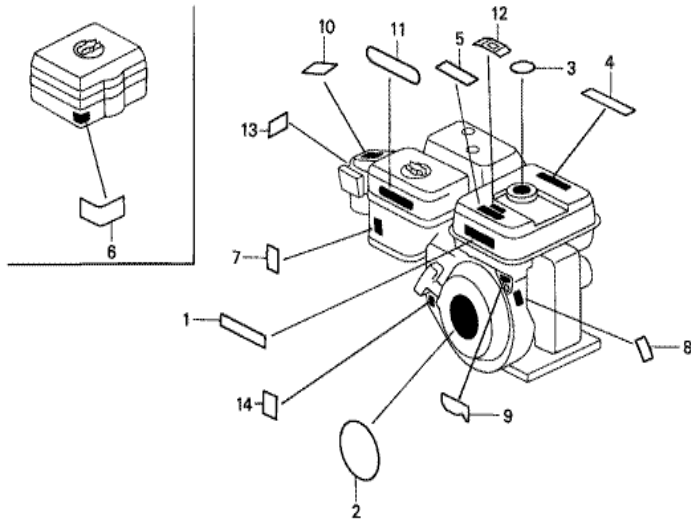


Ref	Partnumber	Description	GX140	Serial Numbers
001	30500-ZE1-003	COIL ASSY., IGNITION	(1)	1530314
001	30500-ZE1-013	COIL ASSY., IGNITION	1	1530315 3155568
001	30500-ZE1-023	COIL ASSY., IGNITION	1	3155569
002	30600-ZE1-013	TERMINAL ASSY., HIGH TENSION (NICHIWA Y-	(1)	
011	90015-883-000	BOLT, FLANGE, 6X28 (CT200)	(2)	1530314
011	90121-952-000	BOLT, FLANGE, 6X25 (CT200)	2	1530315



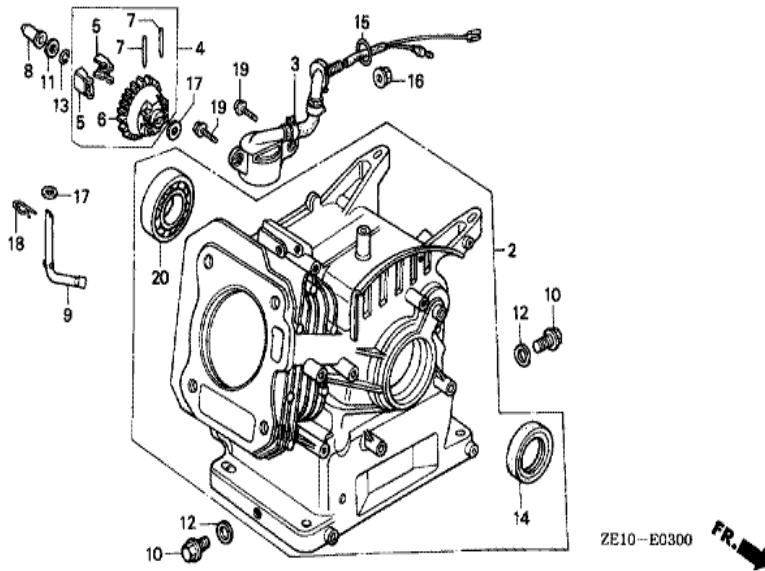
Ref	Partnumber	Description	GX140	Serial Numbers
001	16551-ZE0-010	ARM, GOVERNOR	1	3033316
001	16551-ZE1-000	ARM, GOVERNOR	1	1077453
001	16551-ZE1-010	ARM, GOVERNOR	1	1077454 3033315
002	16555-ZE1-000	ROD, GOVERNOR	1	
003	16561-ZE1-000	SPRING, GOVERNOR	1	1077453
003	16561-ZE1-010	SPRING, GOVERNOR	1	1077454 1379449
003	16561-ZE1-020	SPRING, GOVERNOR	1	1379450
003	16561-ZE1-810	SPRING, GOVERNOR	1	1077454 1379449
004	16562-ZE1-000	SPRING, THROTTLE RETURN	1	1379449
004	16562-ZE1-020	SPRING, THROTTLE RETURN	1	1379450
007	16500-ZH8-820	CONTROL ASSY. (REMOTE)	1	3172748
007	16570-ZE1-820	CONTROL ASSY. (REMOTE)	(1)	1378034
007	16570-ZE1-821	CONTROL ASSY. (REMOTE)	(1)	1378035 3172541

<u>Ref</u>	<u>Partnumber</u>	<u>Description</u>	<u>GX140</u>	<u>Serial Numbers</u>
009	16571-ZE1-000	LEVER, CONTROL	1	1379449
009	16571-ZE1-010	LEVER, CONTROL	1	1378035 3172541
009	16571-ZH8-000	LEVER, CONTROL	(1)	3172542
010	16574-ZE1-000	SPRING, LEVER	(1)	
011	16575-ZE1-000	WASHER, CONTROL LEVER	1	3172747
011	16575-ZH8-000	WASHER, CONTROL LEVER	(1)	3172542
012	16576-891-000	HOLDER, CABLE	(1)	
013	16578-ZE1-000	SPACER, CONTROL LEVER	(1)	
015	16580-ZH8-810	BASE COMP., CONTROL (REMOTE)	1	3172542
015	16581-ZE1-810	BASE COMP., CONTROL (REMOTE)	(1)	3172541
016	16584-883-300	SPRING, CONTROL ADJUSTING	(1)	
017	16592-ZE1-810	SPRING, CABLE RETURN	1	2789791
021	90013-883-000	BOLT, FLANGE, 6X12 (CT200)	2	
022	90015-ZE5-010	BOLT, GOVERNOR ARM	1	1770358
023	90114-SA0-000	NUT, SELF-LOCK, 6MM	(1)	1049825
023	94050-06000	NUT, FLANGE, 6MM	(1)	1049824
026	92000-06020	BOLT, HEX., 6X20	1	1770357
028	93500-050200H	SCREW, PAN, 5X20	1	2637583
028	93500-050250H	SCREW, PAN, 5X25	1	3172542
029	93500-050160A	SCREW, PAN, 5X16	(1)	3172542
029	93893-0501600	SCREW-WASHER, 5X16	1	3172541
030	94050-06000	NUT, FLANGE, 6MM	1	

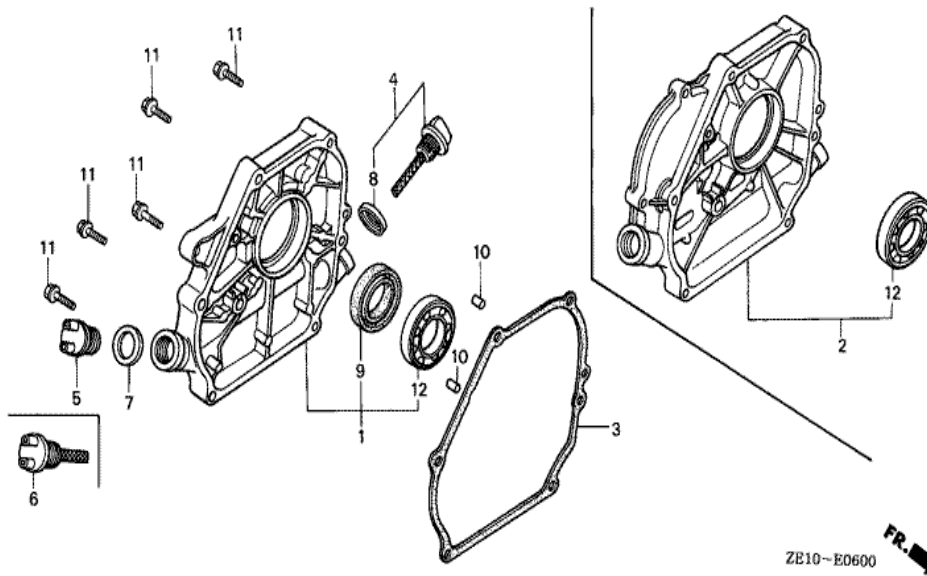


ZE10-E2800

Ref	Partnumber	Description	GX140	Serial Numbers
002	87521-ZE1-810	EMBLEM (EXTERNAL)	(1)	
003	87522-ZE1-810	MARK, CAUTION	(1)	
007	87528-ZE1-810	MARK, CHOKE	(1)	



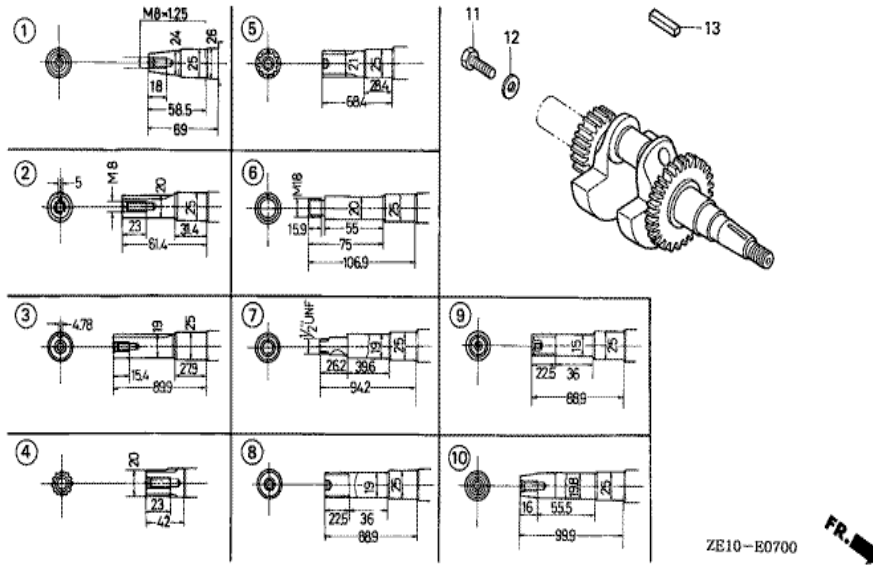
<u>Ref</u>	<u>Partnumber</u>	<u>Description</u>	<u>GX140</u>	<u>Serial Numbers</u>
002	120A0-ZE1-000	BARREL ASSY., CYLINDER (STD.)	(1)	
004	16510-ZE1-000	GOVERNOR ASSY.	1	
005	16511-ZE1-000	WEIGHT, GOVERNOR	2	
006	16512-ZE1-000	HOLDER, GOVERNOR WEIGHT	1	
007	16513-ZE1-000	PIN, GOVERNOR WEIGHT	2	
008	16531-ZE1-000	SLIDER, GOVERNOR	1	
009	16541-ZE1-000	SHAFT, GOVERNOR ARM	1	
010	90131-ZE1-000	BOLT, DRAIN PLUG	2	
011	90451-898-000	WASHER, THRUST, 6MM	1	1719421
011	90451-ZE1-000	WASHER, THRUST, 6MM	1	1720953
012	90601-ZE1-000	WASHER, DRAIN PLUG, 10.2MM	2	
013	90602-896-000	CLIP, GOVERNOR HOLDER	1	1728191
013	90602-ZE1-000	CLIP, GOVERNOR HOLDER	1	1728192
<u>Ref</u>	<u>Partnumber</u>	<u>Description</u>	<u>GX140</u>	<u>Serial Numbers</u>
014	91202-883-005	OIL SEAL, 25X41X6	1	
017	94101-06800	WASHER, PLAIN, 6MM	2	
018	94251-08000	PIN, LOCK, 8MM	1	
020	91001-ZF1-003	BEARING, RADIAL BALL (6205TMB) (NTN)	1	3033316
020	91001-ZF1-004	BEARING, RADIAL BALL (6205SH) (KOYO)	1	3033316
020	96100-6205000	BEARING, RADIAL BALL, 6205	(1)	3033315



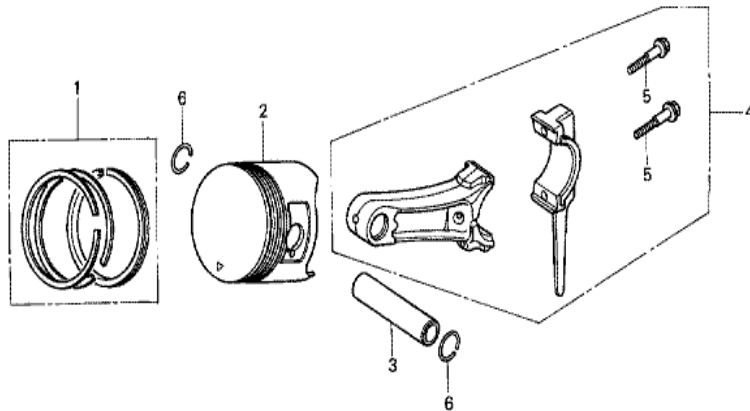
ZE10~E0600



Ref	Partnumber	Description	GX140	Serial Numbers
001	11300-ZE1-600	COVER ASSY., CRANKCASE	1	1596115
001	11300-ZE1-640	COVER ASSY., CRANKCASE	1	1596116
003	11381-ZE1-000	PACKING, CASE COVER	1	
004	15600-ZE1-000	CAP ASSY., OIL FILLER (GRAY)	1	
005	15620-ZG4-910	CAP, OIL FILLER	1	3249295
006	15621-ZE1-000	CAP, OIL HOLE	1	3249294
007	15621-896-010	PACKING, OIL FILLER CAP	1	
008	15625-ZE1-000	PACKING, OIL FILLER CAP	1	
009	91202-883-005	OIL SEAL, 25X41X6	1	
010	94301-08140	DOWEL PIN, 8X14	2	
011	95700-0803200	BOLT, FLANGE, 8X32	6	
012	96100-6205000	BEARING, RADIAL BALL, 6205	1	



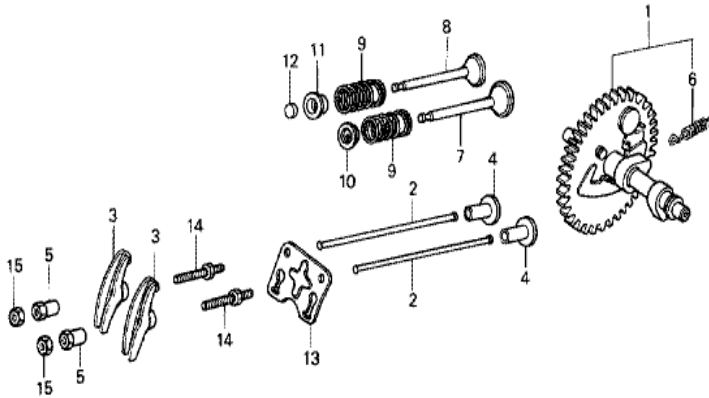
Ref	Partnumber	Description	GX140	Serial Numbers
003	13310-ZE1-600	CRANKSHAFT COMP.	1	
013	90745-ZE1-600	KEY, 4.78X4.78X38	(1)	



ZE10-E0800



<u>Ref</u>	<u>Partnumber</u>	<u>Description</u>	<u>GX140</u>	<u>Serial Numbers</u>
001	13010-ZE1-013	RING SET, PISTON (STD.) (NIPPON)	1	2120318
001	13010-ZE1-014	RING SET, PISTON (STD.) (TEIKOKU)	1	2120318
001	13011-ZE1-013	RING SET, PISTON (0.25) (NIPPON)	(1)	2120318
001	13011-ZE1-014	RING SET, PISTON (0.25) (TEIKOKU)	(1)	2120318
001	13012-ZE1-013	RING SET, PISTON (0.50) (NIPPON)	(1)	2120318
001	13012-ZE1-014	RING SET, PISTON (0.50) (TEIKOKU)	(1)	2120318
001	13013-ZE1-013	RING SET, PISTON (0.75) (NIPPON)	(1)	2120318
001	13013-ZE1-014	RING SET, PISTON (0.75) (TEIKOKU)	(1)	2120318
001	130A1-ZE1-003	RING SET, PISTON (STD.) (NIPPON)	1	2120317
001	130A1-ZE1-004	RING SET, PISTON (STD.) (TEIKOKU)	1	2120317
001	130A2-ZE1-003	RING SET, PISTON (0.25) (NIPPON)	(1)	2120317
001	130A2-ZE1-004	RING SET, PISTON (0.25) (TEIKOKU)	(1)	2120317
001	130A3-ZE1-003	RING SET, PISTON (0.50) (NIPPON)	(1)	2120317
<u>Ref</u>	<u>Partnumber</u>	<u>Description</u>	<u>GX140</u>	<u>Serial Numbers</u>
001	130A3-ZE1-004	RING SET, PISTON (0.50) (TEIKOKU)	(1)	2120317
001	130A4-ZE1-003	RING SET, PISTON (0.75) (NIPPON)	(1)	2120317
001	130A4-ZE1-004	RING SET, PISTON (0.75) (TEIKOKU)	(1)	2120317
002	13101-ZE1-000	PISTON (STD.)	1	2120317
002	13101-ZE1-010	PISTON (STD.)	1	2120318
002	13102-ZE1-000	PISTON (0.25)	(1)	2120317
002	13102-ZE1-010	PISTON (0.25)	(1)	2120318
002	13103-ZE1-000	PISTON (0.50)	(1)	2120317
002	13103-ZE1-010	PISTON (0.50)	(1)	2120318
002	13104-ZE1-000	PISTON (0.75)	(1)	2120317
002	13104-ZE1-010	PISTON (0.75)	(1)	2120318
003	13111-ZE1-000	PIN, PISTON	1	
004	13200-ZE1-000	ROD ASSY., CONNECTING (STD.)	1	
004	132A0-ZE1-000	ROD ASSY., CONNECTING (0.25 UNDER SIZE)	(1)	
005	90001-ZE1-000	BOLT, CONNECTING ROD	2	
006	90551-ZE1-000	CLIP, PISTON PIN, 18MM	2	1894373
006	94601-18000	CLIP, PISTON PIN, 18MM	2	1894372



ZE10-E0900



<u>Ref</u>	<u>Partnumber</u>	<u>Description</u>	<u>GX140</u>	<u>Serial Numbers</u>
001	14100-ZE1-000	CAMSHAFT ASSY.	1	1073870
001	14100-ZE1-810	CAMSHAFT ASSY.	1	1073871 1265459
001	14100-ZE1-811	CAMSHAFT ASSY.	1	1265460 1266289
001	14100-ZE1-812	CAMSHAFT ASSY.	1	
002	14410-ZE1-010	ROD, PUSH	2	
003	14431-ZE1-000	ARM, VALVE ROCKER	2	
004	14441-ZE1-000	LIFTER, VALVE	2	
005	14451-ZE1-003	PIVOT, ROCKER ARM	2	
006	14568-ZE1-000	SPRING, WEIGHT RETURN	1	
007	14711-ZE1-000	VALVE, IN.	1	
008	14721-ZE1-000	VALVE, EX.	(1)	
009	14751-ZE1-000	SPRING, VALVE	2	
010	14771-ZE1-000	RETAINER, IN. VALVE SPRING	1	
<u>Ref</u>	<u>Partnumber</u>	<u>Description</u>	<u>GX140</u>	<u>Serial Numbers</u>
011	14773-ZE1-000	RETAINER, EX. VALVE SPRING	1	
012	14781-ZE1-000	ROTATOR, VALVE	1	
013	14791-ZE1-000	PLATE, PUSH ROD GUIDE	1	1206239
013	14791-ZE1-010	PLATE, PUSH ROD GUIDE	1	1206240
014	90012-ZE0-000	BOLT, PIVOT (6MM)	2	1206239
014	90012-ZE0-010	BOLT, PIVOT, 8MM	2	1206240
015	90206-ZE1-000	NUT, PIVOT ADJUSTING	2	

GX140(OD)

EOP-1 GASKET KIT



HENG-X0003

<u>Ref</u>	<u>Partnumber</u>	<u>Description</u>	<u>GX140</u>	<u>Serial Numbers</u>
001	061A1-ZE1-010	GASKET KIT	1	