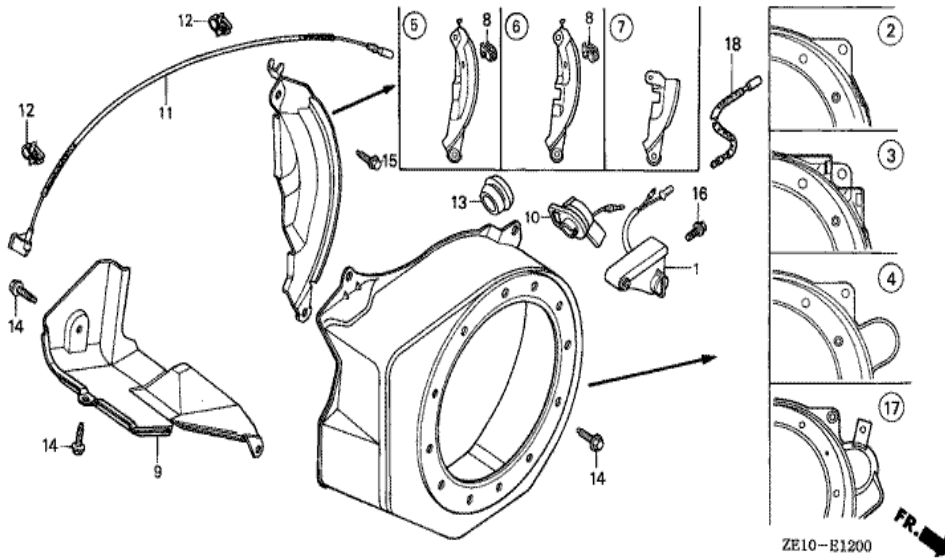


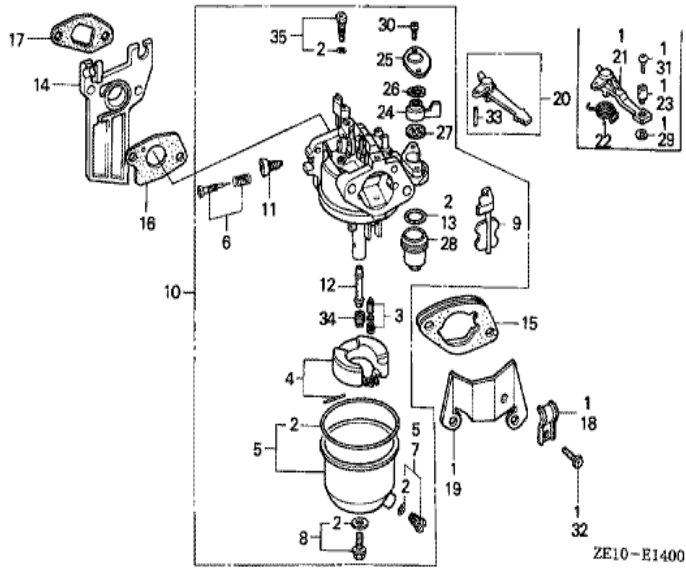
ZE10-E1100



| <u>Ref</u> | <u>Partnumber</u> | <u>Description</u>               | <u>GX140</u> | <u>Serial Numbers</u> |
|------------|-------------------|----------------------------------|--------------|-----------------------|
| 001        | 28400-ZE1-003ZA   | STARTER ASSY., RECOIL *R8 *      | (1)          |                       |
| 003        | 28410-ZE1-003ZA   | CASE COMP., RECOIL STARTER *R8 * | (1)          |                       |
| 005        | 28420-ZE1-003     | PULLEY, RECOIL STARTER           | (1)          |                       |
| 006        | 28422-ZE1-003     | RATCHET, STARTER                 | (1)          |                       |
| 007        | 28423-ZE1-003     | PIN, STARTER RATCHET             | (1)          |                       |
| 008        | 28431-ZE1-003     | PLATE, FRICTION                  | (1)          |                       |
| 009        | 28441-ZE1-003     | SPRING, FRICTION                 | (1)          |                       |
| 010        | 28442-ZE1-003     | SPRING, RECOIL STARTER           | (1)          |                       |
| 011        | 28443-ZE1-003     | GUIDE, RATCHET                   | (1)          |                       |
| 012        | 28445-ZE1-003     | CASE, RECOIL STARTER SPRING      | (1)          |                       |
| 013        | 28446-ZE1-003     | WASHER, STARTER                  | (1)          |                       |
| 014        | 28447-ZE1-003     | SHAFT, SUB                       | (1)          |                       |
| 015        | 28448-ZE1-003     | NUT                              | (1)          |                       |
| <u>Ref</u> | <u>Partnumber</u> | <u>Description</u>               | <u>GX140</u> | <u>Serial Numbers</u> |
| 016        | 28461-ZE1-003     | KNOB, RECOIL STARTER             | (1)          |                       |
| 017        | 28462-ZE1-003     | ROPE, RECOIL STARTER             | (1)          |                       |
| 020        | 95700-0601000     | BOLT, FLANGE, 6X10               | (3)          | 2077227               |
| 020        | 95701-0600800     | BOLT, FLANGE, 6X8                | 3            | 2077228               |

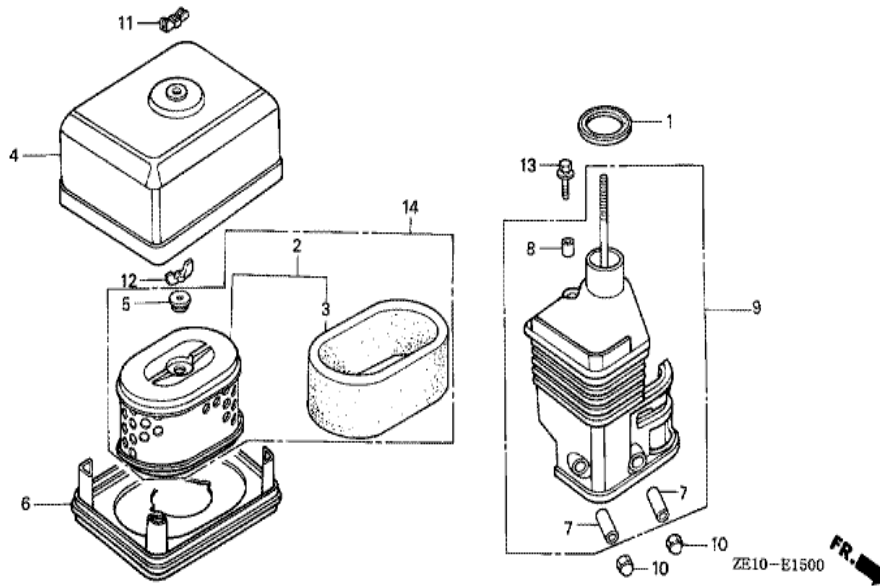


| Ref | Partnumber      | Description                | GX140 | Serial Numbers |
|-----|-----------------|----------------------------|-------|----------------|
| 002 | 19610-ZE1-000ZA | COVER COMP., FAN *R8 *     | (1)   |                |
| 005 | 19611-ZE1-000   | PLATE, SIDE                | (1)   | 3172661        |
| 005 | 19612-ZH8-000   | PLATE, SIDE (STD.)         | 1     | 3172662        |
| 009 | 19631-ZE1-000   | SHROUD COMP.               | 1     |                |
| 010 | 36100-883-005   | SWITCH ASSY., ENGINE STOP  | (1)   |                |
| 010 | 36100-ZE1-005   | SWITCH ASSY., ENGINE STOP  | (1)   |                |
| 011 | 36101-ZE1-000   | CORD, STOP SWITCH (370MM)  | (1)   | 3155568        |
| 011 | 36101-ZE1-010   | CORD, STOP SWITCH (370MM)  | 1     |                |
| 012 | 36103-ZE1-000   | HOLDER, STOP SWITCH CORD   | 2     |                |
| 014 | 90013-883-000   | BOLT, FLANGE, 6X12 (CT200) | 6     |                |
| 015 | 90022-888-010   | BOLT, FLANGE, 6X20 (CT200) | (1)   |                |

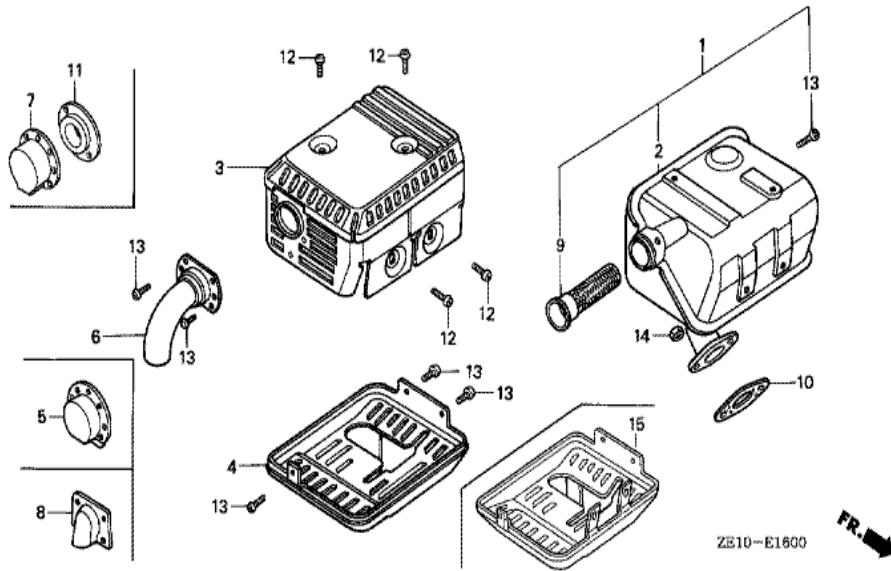


| Ref | Partnumber    | Description                              | GX140 | Serial Numbers  |
|-----|---------------|--|-------|-----------------|
| 002 | 16010-ZE1-811 | GASKET SET                               | 1     | BE08A B         |
| 002 | 16010-ZE1-812 | GASKET SET                               | 1     | BE08A C         |
| 003 | 16011-ZE0-005 | VALVE SET, FLOAT                         | (1)   |                 |
| 004 | 16013-ZE0-005 | FLOAT SET                                | (1)   |                 |
| 005 | 16015-ZE1-811 | CHAMBER SET, FLOAT                       | (1)   |                 |
| 006 | 16016-ZE0-005 | SCREW SET, PILOT                         | (1)   |                 |
| 007 | 16024-ZE1-811 | SCREW SET, DRAIN                         | (1)   |                 |
| 008 | 16028-ZE0-005 | SCREW SET                                | (1)   |                 |
| 009 | 16044-ZE0-005 | CHOKE SET                                | (1)   |                 |
| 010 | 16100-ZE1-815 | CARBURETOR ASSY. (BE05B E) (WITH STRAINE | 1     | 2559751         |
| 010 | 16100-ZE1-821 | CARBURETOR ASSY. (BE05C A) (WITH STRAINE | (1)   | 1150009         |
| 010 | 16100-ZE1-822 | CARBURETOR ASSY. (BE05C B) (WITH STRAINE | (1)   | 1150010 1378034 |
| 010 | 16100-ZE1-824 | CARBURETOR ASSY. (BE05C D) (WITH STRAINE | 1     | 1378035 2559750 |

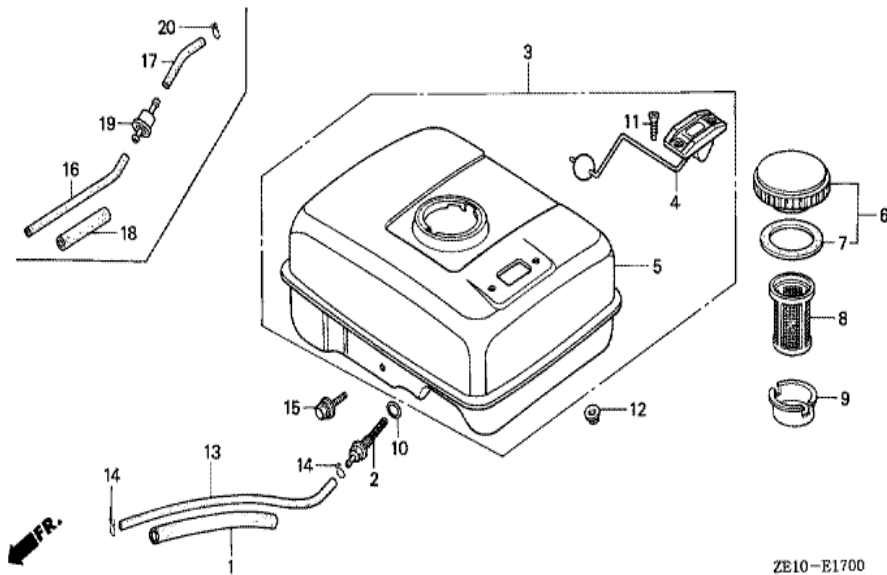
| <u>Ref</u> | <u>Partnumber</u> | <u>Description</u>         | <u>GX140</u> | <u>Serial Numbers</u> |
|------------|-------------------|----------------------------|--------------|-----------------------|
| 011        | 16124-ZE0-005     | SCREW, THROTTLE STOP       | (1)          |                       |
| 012        | 16166-ZE1-005     | NOZZLE, MAIN               | (1)          |                       |
| 013        | 16173-001-004     | PACKING, FUEL STRAINER CUP | (1)          |                       |
| 014        | 16211-ZE1-000     | INSULATOR, CARBURETOR      | 1            |                       |
| 015        | 16220-ZE1-000     | SPACER COMP., CARBURETOR   | 1            | 1786084               |
| 015        | 16220-ZE1-010     | SPACER COMP., CARBURETOR   | 1            | 1786085 1892647       |
| 015        | 16220-ZE1-020     | SPACER COMP., CARBURETOR   | 1            |                       |
| 016        | 16221-ZE1-000     | PACKING, CARBURETOR        | 1            |                       |
| 017        | 16223-ZE1-000     | PACKING, INSULATOR         | 1            |                       |
| 020        | 16610-ZE1-000     | LEVER COMP., CHOKE (STD.)  | (1)          |                       |
| 024        | 16953-ZE1-811     | LEVER, COCK                | 1            | BE05C B               |
| 025        | 16954-ZE1-811     | PLATE, LEVER SETTING       | 1            | BE05A B               |
| 026        | 16956-ZE1-811     | SPRING, COCK LEVER         | 1            | BE05C B               |
| 027        | 16957-ZE1-811     | PACKING, FUEL COCK         | 1            | BE05B D               |
| 027        | 16957-ZE1-812     | PACKING, FUEL COCK         | 1            | BE08A C               |
| 028        | 16967-ZE0-811     | CUP, FUEL STRAINER         | (1)          |                       |
| 030        | 93500-030080H     | SCREW, PAN, 3X8            | 2            | BE05B B BE05B D       |
| 030        | 93500-030081G     | SCREW, PAN, 3X8            | 2            | BE08A C               |
| 033        | 94305-20122       | PIN, SPRING, 2X12          | 1            |                       |
| 034        | 99101-1240620     | JET, MAIN, #62             | (1)          |                       |
| 034        | 99101-1240650     | JET, MAIN, #65             | (1)          |                       |
| 034        | 99101-1240680     | JET, MAIN, #68             | (1)          |                       |
| 035        | 99204-ZE00350     | JET SET, PILOT, #35        | (1)          |                       |



| <u>Ref</u> | <u>Partnumber</u> | <u>Description</u>                     | <u>GX140</u> | <u>Serial Numbers</u> |
|------------|-------------------|--|--------------|-----------------------|
| 001        | 16271-ZE1-000     | PACKING, ELBOW                         | (1)          |                       |
| 002        | 17210-ZE1-821     | ELEMENT, AIR CLEANER (DUAL)            | (1)          | 2115700               |
| 003        | 17218-ZE1-821     | FILTER, OUTER                          | 1            | 2397839               |
| 004        | 17230-ZE1-820     | COVER, AIR CLEANER (DUAL)              | (1)          |                       |
| 005        | 17232-891-000     | GROMMET, AIR CLEANER                   | 1            | 2397839               |
| 007        | 17238-ZE1-000     | COLLAR, AIR CLEANER                    | (2)          | 1786084               |
| 007        | 17238-ZE7-010     | COLLAR, AIR CLEANER                    | 2            | 2397839               |
| 008        | 17239-ZE1-000     | COLLAR B, AIR CLEANER                  | 1            | 2397839               |
| 009        | 17410-ZE1-000     | ELBOW COMP., AIR CLEANER               | (1)          | 1220569               |
| 009        | 17410-ZE1-010     | ELBOW COMP., AIR CLEANER               | 1            | 1220570 1786084       |
| 009        | 17410-ZE1-020     | ELBOW COMP., AIR CLEANER               | 1            | 1786085               |
| 010        | 90201-415-000     | NUT, CAP, 6MM                          | 2            | 2397839               |
| 011        | 90203-PB2-000     | NUT, AIR CLEANER COVER (DACRO COATING) | 1            | 2397839               |
| <u>Ref</u> | <u>Partnumber</u> | <u>Description</u>                     | <u>GX140</u> | <u>Serial Numbers</u> |
| 012        | 90325-044-000     | NUT, TOOL BOX SETTING                  | (1)          |                       |
| 013        | 93494-0602008     | BOLT-WASHER, 6X20                      | 1            | 2397839               |
| 014        | 17210-ZE1-822     | ELEMENT, AIR CLEANER (DUAL)            | 1            |                       |

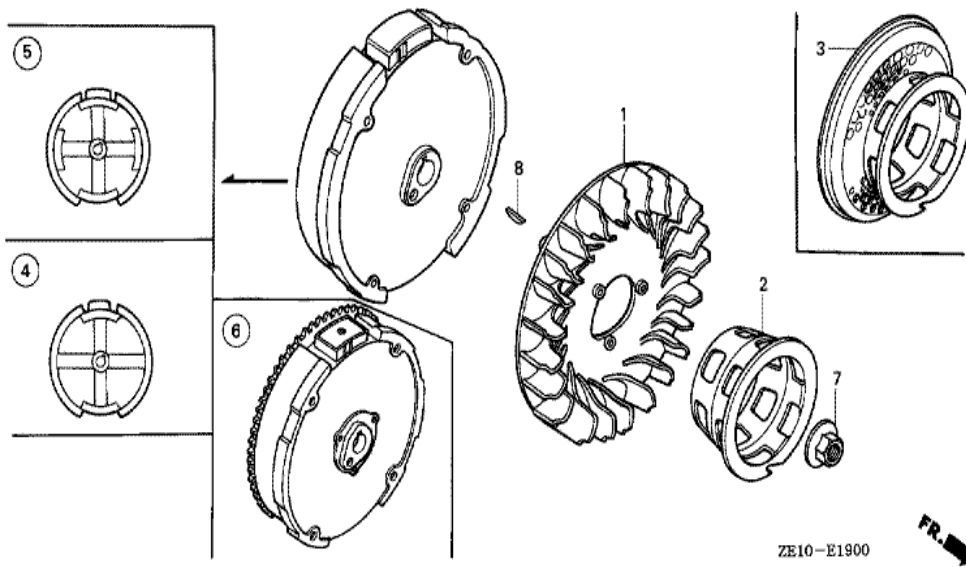


| Ref | Partnumber    | Description          | GX140 | Serial Numbers |
|-----|---------------|----------------------|-------|----------------|
| 002 | 18310-ZE1-000 | MUFFLER COMP. (STD.) | (1)   | 1869307        |
| 002 | 18310-ZE1-010 | MUFFLER COMP. (STD.) | (1)   | 1869308        |
| 003 | 18320-ZE1-000 | PROTECTOR, UPPER     | (1)   |                |
| 010 | 18381-ZE1-000 | GASKET, MUFFLER      | 1     |                |
| 012 | 90050-ZE1-000 | SCREW, TAPPING, 5X8  | (4)   |                |
| 013 | 90055-ZE1-000 | SCREW, TAPPING, 4X6  | (6)   |                |
| 014 | 94001-08000S  | NUT, HEX., 8MM       | 2     |                |



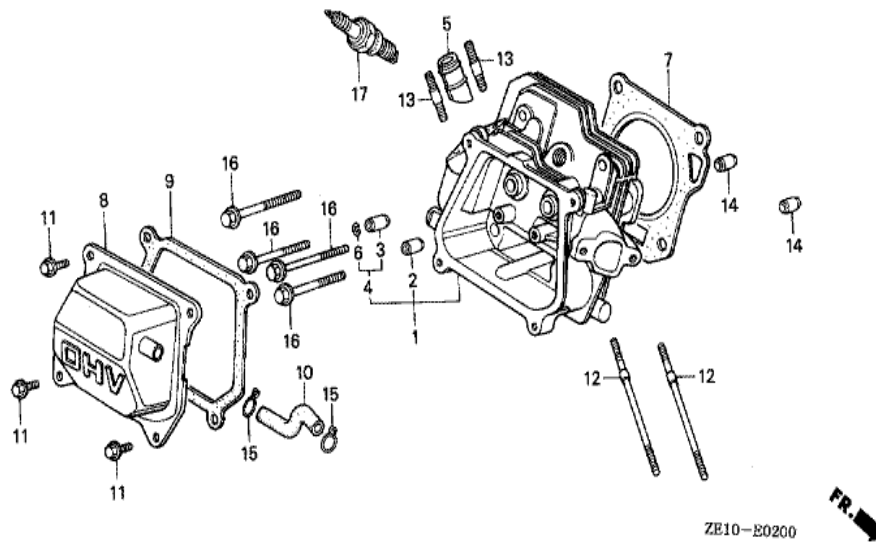
ZE10-E1700

| Ref | Partnumber      | Description                           | GX140 | Serial Numbers |
|-----|-----------------|---------------------------------------|-------|----------------|
| 001 | 16854-ZE1-000   | RUBBER, SUPPORTER (107MM)             | 1     | 3201952        |
| 001 | 16854-ZH8-000   | RUBBER, SUPPORTER (107MM)             | 1     | 3201953        |
| 002 | 16955-ZE1-000   | JOINT, FUEL TANK                      | (1)   |                |
| 005 | 17510-ZE1-010ZA | TANK COMP., FUEL *NH31 *              | (1)   | 3033315        |
| 005 | 17510-ZE1-020ZA | TANK COMP., FUEL *NH31 *              | 1     | 3033316        |
| 006 | 17620-890-000   | CAP COMP., FUEL FILLER                | (1)   | 2115700        |
| 006 | 17620-890-010   | CAP COMP., FUEL FILLER                | 1     | 2115701        |
| 007 | 17631-329-000   | PACKING, FUEL FILLER CAP              | (1)   | 2115700        |
| 007 | 17631-329-003   | PACKING, FUEL FILLER CAP (39X58X3)    | 1     | 2115701        |
| 010 | 91353-671-004   | O-RING, 14MM (NOK)                    | (1)   |                |
| 012 | 94050-06000     | NUT, FLANGE, 6MM                      | (2)   |                |
| 013 | 95001-4514040   | TUBE, FUEL, 4.5X140 (95001-45001-60M) | (1)   |                |
| 014 | 95002-02080     | CLIP, TUBE (B8)                       | (2)   |                |
| Ref | Partnumber      | Description                           | GX140 | Serial Numbers |
| 015 | 95900-0602500   | BOLT, FLANGE, 6X25                    | (1)   |                |



| Ref | Partnumber    | Description                  | GX140 | Serial Numbers |
|-----|---------------|------------------------------|-------|----------------|
| 001 | 19511-ZE1-000 | FAN, COOLING                 | 1     |                |
| 002 | 28451-ZE1-003 | PULLEY, STARTER              | (1)   |                |
| 004 | 31100-ZE1-000 | FLYWHEEL COMP.               | (1)   |                |
| 007 | 90201-878-003 | NUT, SPECIAL, 14MM           | 1     |                |
| 008 | 13331-357-000 | KEY, SPECIAL WOODRUFF, 25X18 | 1     |                |
| 008 | 94401-25180   | KEY, WOODRUFF, 25X18         | 1     | 1328672        |

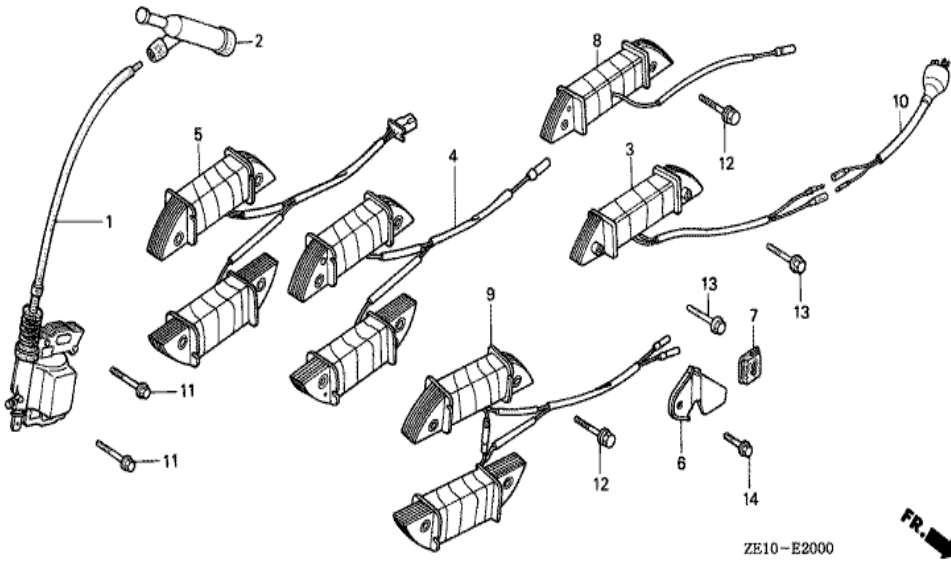




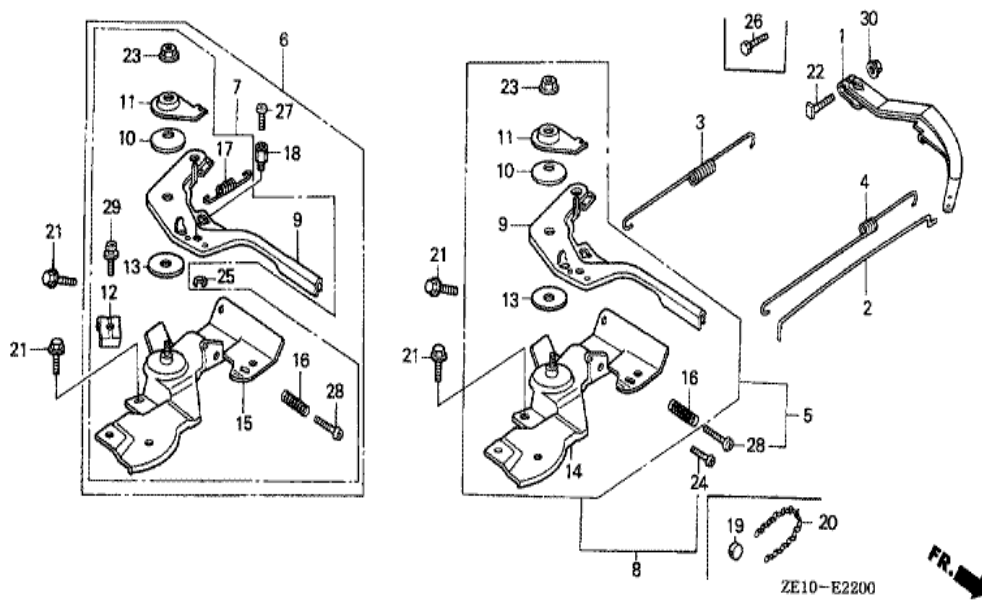
ZE10-E0200



| <u>Ref</u> | <u>Partnumber</u> | <u>Description</u>             | <u>GX140</u> | <u>Serial Numbers</u> |
|------------|-------------------|--------------------------------|--------------|-----------------------|
| 001        | 122A0-ZE1-000     | HEAD COMP., CYLINDER           | 1            | 1206239               |
| 001        | 122A0-ZE1-010     | HEAD COMP., CYLINDER           | 1            | 1206240 1369812       |
| 001        | 122A0-ZE1-020     | HEAD COMP., CYLINDER           | 1            | 1369813               |
| 002        | 12204-ZE1-305     | GUIDE, IN. VALVE (OS)          | (1)          |                       |
| 003        | 12205-ZE1-305     | GUIDE, EX. VALVE (O.S.)        | (1)          | 1369812               |
| 004        | 12205-ZE1-315     | GUIDE, EX. VALVE (OS)          | (1)          | 1369813               |
| 006        | 12216-ZE5-300     | CLIP, VALVE GUIDE              | 1            |                       |
| 007        | 12251-ZE1-000     | GASKET, CYLINDER HEAD          | 1            |                       |
| 008        | 12310-ZE1-000     | COVER COMP., HEAD              | (1)          |                       |
| 009        | 12391-ZE1-000     | PACKING, HEAD COVER            | 1            |                       |
| 010        | 15721-ZE1-000     | TUBE, BREATHER                 | 1            | 1220569               |
| 010        | 15721-ZE1-010     | TUBE, BREATHER                 | 1            | 1220570               |
| 011        | 90013-883-000     | BOLT, FLANGE, 6X12 (CT200)     | 4            | 1049824               |
| <u>Ref</u> | <u>Partnumber</u> | <u>Description</u>             | <u>GX140</u> | <u>Serial Numbers</u> |
| 011        | 90016-ZE1-000     | BOLT, FLANGE, 6X13 (CT200)     | 4            | 1049825               |
| 012        | 90043-ZE1-000     | BOLT, STUD, 6X109              | 2            | 1206239               |
| 012        | 90043-ZE1-010     | BOLT, STUD, 6X109              | 2            |                       |
| 013        | 90047-ZE1-000     | BOLT, STUD, 8X32               | 2            |                       |
| 014        | 94301-10160       | DOWEL PIN, 10X16               | 2            |                       |
| 016        | 95723-0806000     | BOLT, FLANGE, 8X60             | 4            |                       |
| 017        | 98079-56846       | PLUG, SPARK (BPR6ES) (NGK)     | (1)          |                       |
| 017        | 98079-56855       | PLUG, SPARK (W20EPR-U) (DENSO) | (1)          |                       |

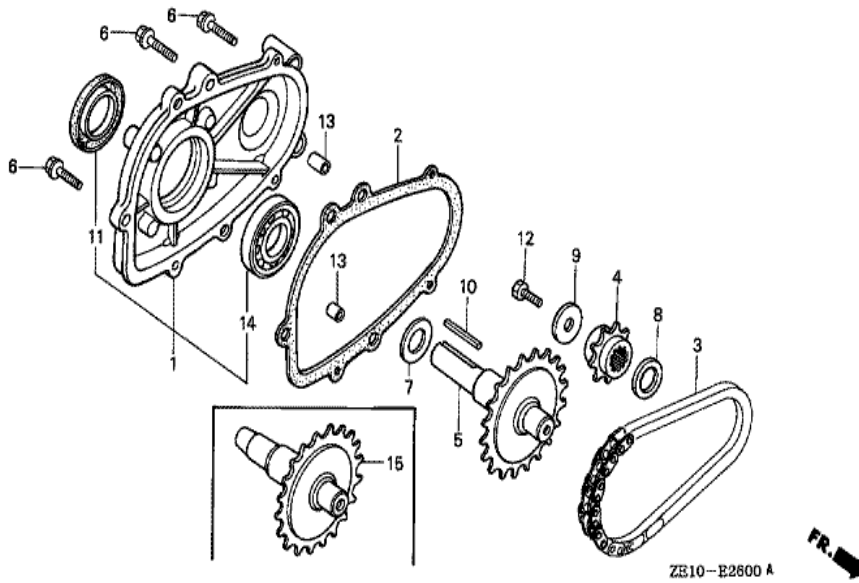


| Ref | Partnumber    | Description                               | GX140 | Serial Numbers  |
|-----|---------------|---|-------|-----------------|
| 001 | 30500-ZE1-003 | COIL ASSY., IGNITION                      | (1)   | 1530314         |
| 001 | 30500-ZE1-013 | COIL ASSY., IGNITION                      | 1     | 1530315 3155568 |
| 001 | 30500-ZE1-023 | COIL ASSY., IGNITION                      | 1     | 3155569         |
| 002 | 30700-ZE1-013 | CAP ASSY., NOISE SUPPRESSOR (NICHIIWA Y-E | (1)   |                 |
| 011 | 90015-883-000 | BOLT, FLANGE, 6X28 (CT200)                | (2)   | 1530314         |
| 011 | 90121-952-000 | BOLT, FLANGE, 6X25 (CT200)                | 2     | 1530315         |

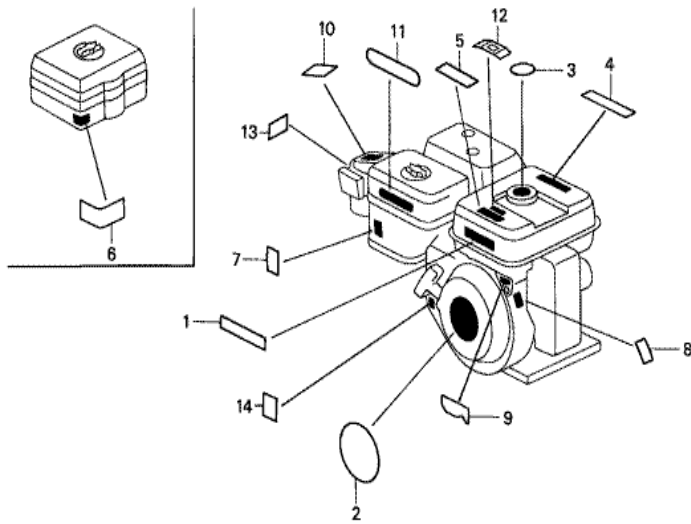


| Ref | Partnumber    | Description             | GX140 | Serial Numbers  |
|-----|---------------|-------------------------|-------|-----------------|
| 001 | 16551-ZE0-010 | ARM, GOVERNOR           | 1     | 3033316         |
| 001 | 16551-ZE1-000 | ARM, GOVERNOR           | 1     | 1077453         |
| 001 | 16551-ZE1-010 | ARM, GOVERNOR           | 1     | 1077454 3033315 |
| 002 | 16555-ZE1-000 | ROD, GOVERNOR           | 1     |                 |
| 003 | 16561-ZE1-000 | SPRING, GOVERNOR        | 1     | 1077453         |
| 003 | 16561-ZE1-010 | SPRING, GOVERNOR        | 1     | 1077454 1379449 |
| 003 | 16561-ZE1-020 | SPRING, GOVERNOR        | 1     | 1379450         |
| 003 | 16561-ZE1-810 | SPRING, GOVERNOR        | 1     | 1077454 1379449 |
| 004 | 16562-ZE1-000 | SPRING, THROTTLE RETURN | 1     | 1379449         |
| 004 | 16562-ZE1-020 | SPRING, THROTTLE RETURN | 1     | 1379450         |
| 007 | 16500-ZH8-820 | CONTROL ASSY. (REMOTE)  | 1     | 3172748         |
| 007 | 16570-ZE1-820 | CONTROL ASSY. (REMOTE)  | (1)   | 1378034         |
| 007 | 16570-ZE1-821 | CONTROL ASSY. (REMOTE)  | (1)   | 1378035 3172541 |

| <u>Ref</u> | <u>Partnumber</u> | <u>Description</u>           | <u>GX140</u> | <u>Serial Numbers</u> |
|------------|-------------------|------------------------------|--------------|-----------------------|
| 009        | 16571-ZE1-000     | LEVER, CONTROL               | 1            | 1379449               |
| 009        | 16571-ZE1-010     | LEVER, CONTROL               | 1            | 1378035 3172541       |
| 009        | 16571-ZH8-000     | LEVER, CONTROL               | (1)          | 3172542               |
| 010        | 16574-ZE1-000     | SPRING, LEVER                | (1)          |                       |
| 011        | 16575-ZE1-000     | WASHER, CONTROL LEVER        | 1            | 3172747               |
| 011        | 16575-ZH8-000     | WASHER, CONTROL LEVER        | (1)          | 3172542               |
| 012        | 16576-891-000     | HOLDER, CABLE                | (1)          |                       |
| 013        | 16578-ZE1-000     | SPACER, CONTROL LEVER        | (1)          |                       |
| 015        | 16580-ZH8-810     | BASE COMP., CONTROL (REMOTE) | 1            | 3172542               |
| 015        | 16581-ZE1-810     | BASE COMP., CONTROL (REMOTE) | (1)          | 3172541               |
| 016        | 16584-883-300     | SPRING, CONTROL ADJUSTING    | (1)          |                       |
| 017        | 16592-ZE1-810     | SPRING, CABLE RETURN         | 1            | 2789791               |
| 021        | 90013-883-000     | BOLT, FLANGE, 6X12 (CT200)   | 2            |                       |
| 022        | 90015-ZE5-010     | BOLT, GOVERNOR ARM           | 1            | 1770358               |
| 023        | 90114-SA0-000     | NUT, SELF-LOCK, 6MM          | (1)          | 1049825               |
| 023        | 94050-06000       | NUT, FLANGE, 6MM             | (1)          | 1049824               |
| 026        | 92000-06020       | BOLT, HEX., 6X20             | 1            | 1770357               |
| 028        | 93500-050200H     | SCREW, PAN, 5X20             | 1            | 2637583               |
| 028        | 93500-050250H     | SCREW, PAN, 5X25             | 1            | 3172542               |
| 029        | 93500-050160A     | SCREW, PAN, 5X16             | (1)          | 3172542               |
| 029        | 93893-0501600     | SCREW-WASHER, 5X16           | 1            | 3172541               |
| 030        | 94050-06000       | NUT, FLANGE, 6MM             | 1            |                       |

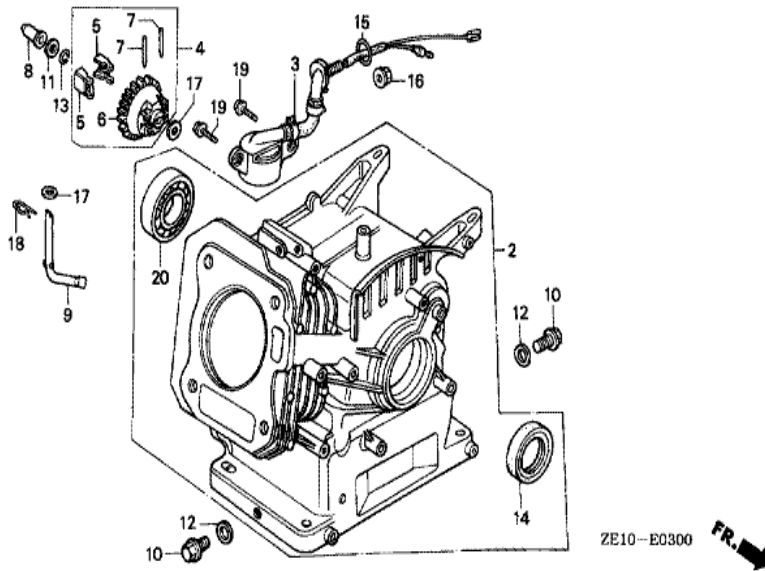


| <u>Ref</u> | <u>Partnumber</u> | <u>Description</u>                   | <u>GX140</u> | <u>Serial Numbers</u> |
|------------|-------------------|--------------------------------------|--------------|-----------------------|
| 001        | 11500-ZE1-610     | COVER ASSY., CHAIN CASE              | 1            |                       |
| 002        | 11521-ZE1-610     | PACKING, CHAIN CASE                  | 1            |                       |
| 003        | 14411-ZE1-611     | CHAIN, P.T.O. DRIVE (DID317FM2-34LE) | 1            |                       |
| 004        | 23110-ZE1-610     | SPROCKET, DRIVE (13T)                | 1            |                       |
| 005        | 23710-ZE1-610     | SHAFT, P.T.O.                        | 1            | 1723048               |
| 005        | 23710-ZE1-611     | SHAFT, P.T.O.                        | 1            | 1723049 2379593       |
| 005        | 23710-ZE1-613     | SHAFT, P.T.O. (26T)                  | 1            | 2383774               |
| 006        | 90015-883-000     | BOLT, FLANGE, 6X28 (CT200)           | 5            |                       |
| 007        | 90456-ZE1-000     | SPRING, THRUST                       | 1            | 2397839               |
| 008        | 90470-ZE1-000     | SPACER, 20MM                         | 1            |                       |
| 009        | 90471-ZE1-610     | WASHER, 8MM                          | 1            |                       |
| 010        | 90741-883-810     | KEY, 5X5X33 (YELLOW)                 | (1)          |                       |
| 011        | 91202-883-005     | OIL SEAL, 25X41X6                    | 1            |                       |
| <u>Ref</u> | <u>Partnumber</u> | <u>Description</u>                   | <u>GX140</u> | <u>Serial Numbers</u> |
| 012        | 92000-080220A     | BOLT, HEX., 8X22                     | 1            |                       |
| 013        | 94301-08140       | DOWEL PIN, 8X14                      | 2            |                       |
| 014        | 96100-6205000     | BEARING, RADIAL BALL, 6205           | 1            |                       |

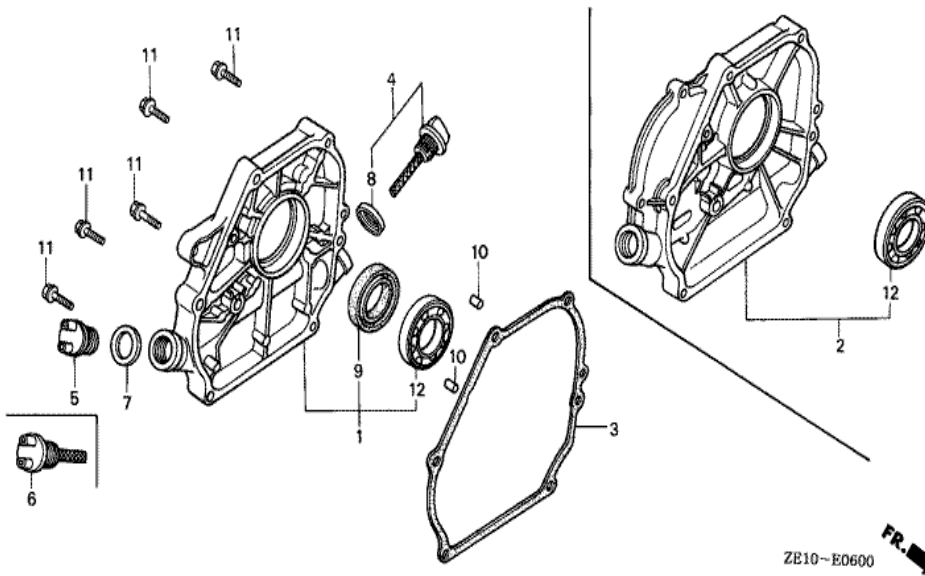


ZE10-E2800

| Ref | Partnumber    | Description       | GX140 | Serial Numbers |
|-----|---------------|-------------------|-------|----------------|
| 002 | 87521-ZE1-810 | EMBLEM (EXTERNAL) | (1)   |                |
| 003 | 87522-ZE1-810 | MARK, CAUTION     | (1)   |                |
| 007 | 87528-ZE1-810 | MARK, CHOKE       | (1)   |                |



| <u>Ref</u> | <u>Partnumber</u> | <u>Description</u>                   | <u>GX140</u> | <u>Serial Numbers</u> |
|------------|-------------------|--------------------------------------|--------------|-----------------------|
| 002        | 120A0-ZE1-000     | BARREL ASSY., CYLINDER (STD.)        | (1)          |                       |
| 004        | 16510-ZE1-000     | GOVERNOR ASSY.                       | 1            |                       |
| 005        | 16511-ZE1-000     | WEIGHT, GOVERNOR                     | 2            |                       |
| 006        | 16512-ZE1-000     | HOLDER, GOVERNOR WEIGHT              | 1            |                       |
| 007        | 16513-ZE1-000     | PIN, GOVERNOR WEIGHT                 | 2            |                       |
| 008        | 16531-ZE1-000     | SLIDER, GOVERNOR                     | 1            |                       |
| 009        | 16541-ZE1-000     | SHAFT, GOVERNOR ARM                  | 1            |                       |
| 010        | 90131-ZE1-000     | BOLT, DRAIN PLUG                     | 2            |                       |
| 011        | 90451-898-000     | WASHER, THRUST, 6MM                  | 1            | 1719421               |
| 011        | 90451-ZE1-000     | WASHER, THRUST, 6MM                  | 1            | 1720953               |
| 012        | 90601-ZE1-000     | WASHER, DRAIN PLUG, 10.2MM           | 2            |                       |
| 013        | 90602-896-000     | CLIP, GOVERNOR HOLDER                | 1            | 1728191               |
| 013        | 90602-ZE1-000     | CLIP, GOVERNOR HOLDER                | 1            | 1728192               |
| <u>Ref</u> | <u>Partnumber</u> | <u>Description</u>                   | <u>GX140</u> | <u>Serial Numbers</u> |
| 014        | 91202-883-005     | OIL SEAL, 25X41X6                    | 1            |                       |
| 017        | 94101-06800       | WASHER, PLAIN, 6MM                   | 2            |                       |
| 018        | 94251-08000       | PIN, LOCK, 8MM                       | 1            |                       |
| 020        | 91001-ZF1-003     | BEARING, RADIAL BALL (6205TMB) (NTN) | 1            | 3033316               |
| 020        | 91001-ZF1-004     | BEARING, RADIAL BALL (6205SH) (KOYO) | 1            | 3033316               |
| 020        | 96100-6205000     | BEARING, RADIAL BALL, 6205           | (1)          | 3033315               |

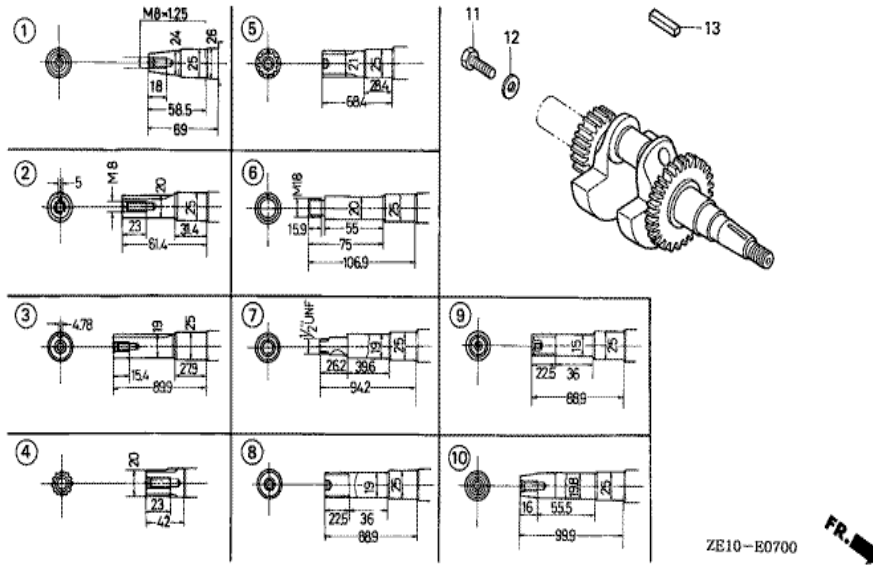


ZE10~E0600

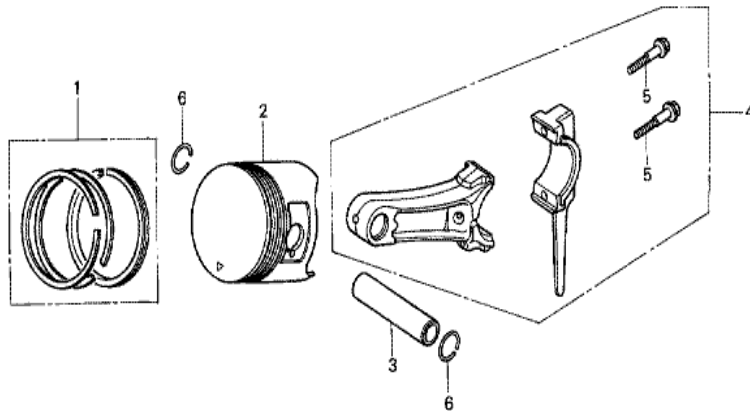


| Ref | Partnumber    | Description                  | GX140 | Serial Numbers |
|-----|---------------|------------------------------|-------|----------------|
| 002 | 11300-ZE1-610 | COVER ASSY., CRANKCASE       | 1     | 2383773        |
| 002 | 11300-ZE1-612 | COVER ASSY., CRANKCASE       | 1     | 2383774        |
| 003 | 11381-ZE1-000 | PACKING, CASE COVER          | 1     |                |
| 004 | 15600-ZE1-000 | CAP ASSY., OIL FILLER (GRAY) | 1     |                |
| 005 | 15620-ZG4-910 | CAP, OIL FILLER              | 1     | 3249295        |
| 006 | 15621-ZE1-000 | CAP, OIL HOLE                | 1     | 3249294        |
| 007 | 15621-896-010 | PACKING, OIL FILLER CAP      | 1     |                |
| 008 | 15625-ZE1-000 | PACKING, OIL FILLER CAP      | 1     |                |
| 010 | 94301-08140   | DOWEL PIN, 8X14              | 2     |                |
| 011 | 95700-0803200 | BOLT, FLANGE, 8X32           | 6     |                |
| 012 | 96100-6205000 | BEARING, RADIAL BALL, 6205   | 1     |                |





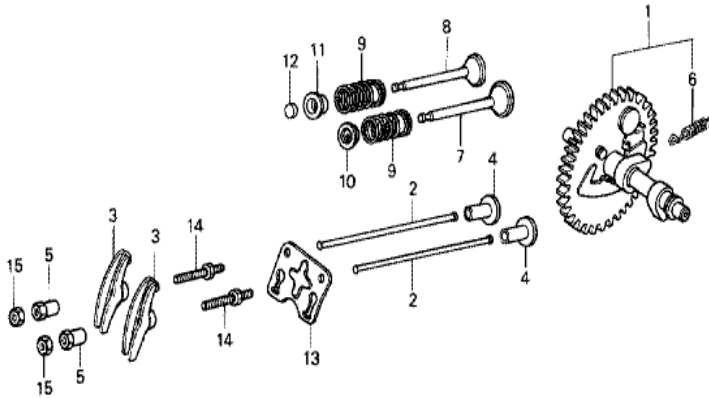
| Ref | Partnumber    | Description                | GX140 | Serial Numbers |
|-----|---------------|----------------------------|-------|----------------|
| 004 | 13310-ZE1-610 | CRANKSHAFT COMP. (L=209.5) | 1     |                |



ZE10-E0800



| <u>Ref</u> | <u>Partnumber</u> | <u>Description</u>                      | <u>GX140</u> | <u>Serial Numbers</u> |
|------------|-------------------|---|--------------|-----------------------|
| 001        | 13010-ZE1-013     | RING SET, PISTON (STD.) (NIPPON)        | 1            | 2120318               |
| 001        | 13010-ZE1-014     | RING SET, PISTON (STD.) (TEIKOKU)       | 1            | 2120318               |
| 001        | 13011-ZE1-013     | RING SET, PISTON (0.25) (NIPPON)        | (1)          | 2120318               |
| 001        | 13011-ZE1-014     | RING SET, PISTON (0.25) (TEIKOKU)       | (1)          | 2120318               |
| 001        | 13012-ZE1-013     | RING SET, PISTON (0.50) (NIPPON)        | (1)          | 2120318               |
| 001        | 13012-ZE1-014     | RING SET, PISTON (0.50) (TEIKOKU)       | (1)          | 2120318               |
| 001        | 13013-ZE1-013     | RING SET, PISTON (0.75) (NIPPON)        | (1)          | 2120318               |
| 001        | 13013-ZE1-014     | RING SET, PISTON (0.75) (TEIKOKU)       | (1)          | 2120318               |
| 001        | 130A1-ZE1-003     | RING SET, PISTON (STD.) (NIPPON)        | 1            | 2120317               |
| 001        | 130A1-ZE1-004     | RING SET, PISTON (STD.) (TEIKOKU)       | 1            | 2120317               |
| 001        | 130A2-ZE1-003     | RING SET, PISTON (0.25) (NIPPON)        | (1)          | 2120317               |
| 001        | 130A2-ZE1-004     | RING SET, PISTON (0.25) (TEIKOKU)       | (1)          | 2120317               |
| 001        | 130A3-ZE1-003     | RING SET, PISTON (0.50) (NIPPON)        | (1)          | 2120317               |
| <u>Ref</u> | <u>Partnumber</u> | <u>Description</u>                      | <u>GX140</u> | <u>Serial Numbers</u> |
| 001        | 130A3-ZE1-004     | RING SET, PISTON (0.50) (TEIKOKU)       | (1)          | 2120317               |
| 001        | 130A4-ZE1-003     | RING SET, PISTON (0.75) (NIPPON)        | (1)          | 2120317               |
| 001        | 130A4-ZE1-004     | RING SET, PISTON (0.75) (TEIKOKU)       | (1)          | 2120317               |
| 002        | 13101-ZE1-000     | PISTON (STD.)                           | 1            | 2120317               |
| 002        | 13101-ZE1-010     | PISTON (STD.)                           | 1            | 2120318               |
| 002        | 13102-ZE1-000     | PISTON (0.25)                           | (1)          | 2120317               |
| 002        | 13102-ZE1-010     | PISTON (0.25)                           | (1)          | 2120318               |
| 002        | 13103-ZE1-000     | PISTON (0.50)                           | (1)          | 2120317               |
| 002        | 13103-ZE1-010     | PISTON (0.50)                           | (1)          | 2120318               |
| 002        | 13104-ZE1-000     | PISTON (0.75)                           | (1)          | 2120317               |
| 002        | 13104-ZE1-010     | PISTON (0.75)                           | (1)          | 2120318               |
| 003        | 13111-ZE1-000     | PIN, PISTON                             | 1            |                       |
| 004        | 13200-ZE1-000     | ROD ASSY., CONNECTING (STD.)            | 1            |                       |
| 004        | 132A0-ZE1-000     | ROD ASSY., CONNECTING (0.25 UNDER SIZE) | (1)          |                       |
| 005        | 90001-ZE1-000     | BOLT, CONNECTING ROD                    | 2            |                       |
| 006        | 90551-ZE1-000     | CLIP, PISTON PIN, 18MM                  | 2            | 1894373               |
| 006        | 94601-18000       | CLIP, PISTON PIN, 18MM                  | 2            | 1894372               |



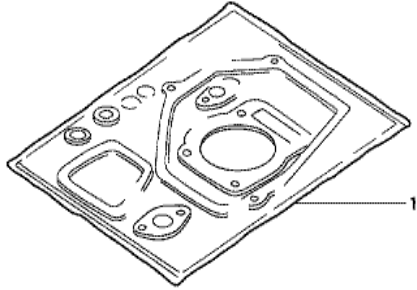
ZE10-E0900



| <u>Ref</u> | <u>Partnumber</u> | <u>Description</u>         | <u>GX140</u> | <u>Serial Numbers</u> |
|------------|-------------------|----------------------------|--------------|-----------------------|
| 001        | 14100-ZE1-000     | CAMSHAFT ASSY.             | 1            | 1073870               |
| 001        | 14100-ZE1-810     | CAMSHAFT ASSY.             | 1            | 1073871 1265459       |
| 001        | 14100-ZE1-811     | CAMSHAFT ASSY.             | 1            | 1265460 1266289       |
| 001        | 14100-ZE1-812     | CAMSHAFT ASSY.             | 1            |                       |
| 002        | 14410-ZE1-010     | ROD, PUSH                  | 2            |                       |
| 003        | 14431-ZE1-000     | ARM, VALVE ROCKER          | 2            |                       |
| 004        | 14441-ZE1-000     | LIFTER, VALVE              | 2            |                       |
| 005        | 14451-ZE1-003     | PIVOT, ROCKER ARM          | 2            |                       |
| 006        | 14568-ZE1-000     | SPRING, WEIGHT RETURN      | 1            |                       |
| 007        | 14711-ZE1-000     | VALVE, IN.                 | 1            |                       |
| 008        | 14721-ZE1-000     | VALVE, EX.                 | (1)          |                       |
| 009        | 14751-ZE1-000     | SPRING, VALVE              | 2            |                       |
| 010        | 14771-ZE1-000     | RETAINER, IN. VALVE SPRING | 1            |                       |
| <u>Ref</u> | <u>Partnumber</u> | <u>Description</u>         | <u>GX140</u> | <u>Serial Numbers</u> |
| 011        | 14773-ZE1-000     | RETAINER, EX. VALVE SPRING | 1            |                       |
| 012        | 14781-ZE1-000     | ROTATOR, VALVE             | 1            |                       |
| 013        | 14791-ZE1-000     | PLATE, PUSH ROD GUIDE      | 1            | 1206239               |
| 013        | 14791-ZE1-010     | PLATE, PUSH ROD GUIDE      | 1            | 1206240               |
| 014        | 90012-ZE0-000     | BOLT, PIVOT (6MM)          | 2            | 1206239               |
| 014        | 90012-ZE0-010     | BOLT, PIVOT, 8MM           | 2            | 1206240               |
| 015        | 90206-ZE1-000     | NUT, PIVOT ADJUSTING       | 2            |                       |

GX140(LH)

EOP-1 GASKET KIT



HENG-X0003

| <u>Ref</u> | <u>Partnumber</u> | <u>Description</u> | <u>GX140</u> | <u>Serial Numbers</u> |
|------------|-------------------|--------------------|--------------|-----------------------|
| 001        | 061A1-ZE1-010     | GASKET KIT         | 1            |                       |