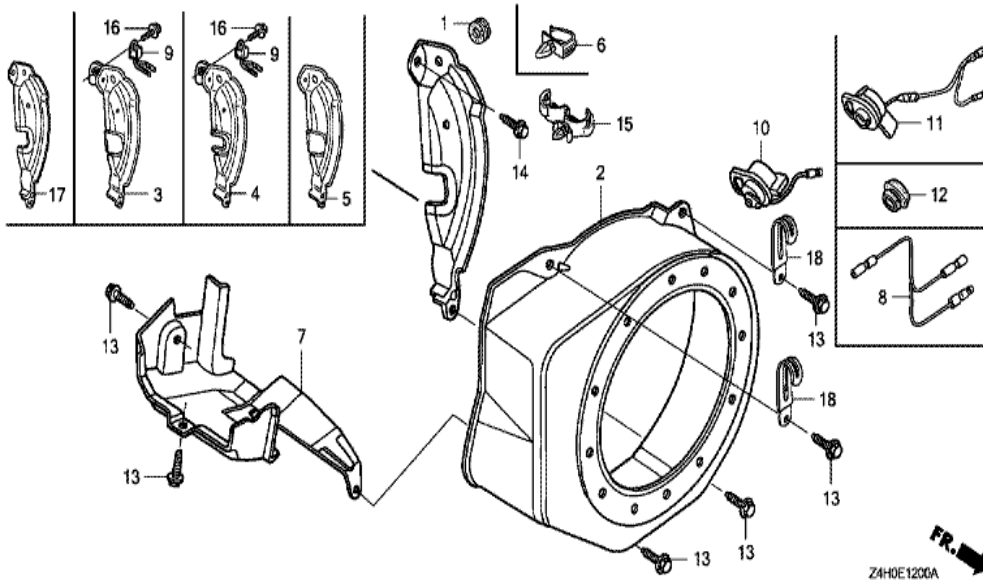
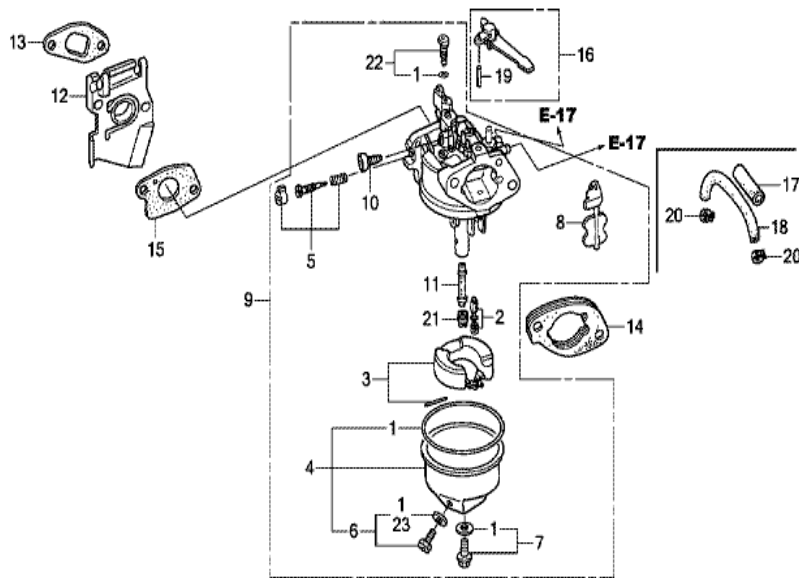


Z4H0E1100A

| <u>Ref</u> | <u>Partnumber</u> | <u>Description</u>                | <u>GX120UT1</u> | <u>Serial Numbers</u> |
|------------|-------------------|-----------------------------------|-----------------|-----------------------|
| 001        | 28400-ZOT-003ZA   | STARTER ASSY., RECOIL *NH1*       | 1               |                       |
| 002        | 28410-ZH8-003ZB   | CASE COMP., RECOIL STARTER *NH1 * | 1               |                       |
| 002        | 28410-ZH8-003ZB   | CASE COMP., RECOIL STARTER *NH1 * | 1               |                       |
| 003        | 28421-ZOT-003     | REEL, RECOIL STARTER              | 1               |                       |
| 004        | 28422-ZH8-801     | RATCHET, STARTER                  | 2               |                       |
| 005        | 28431-ZH8-801     | PLATE, FRICTION                   | 1               |                       |
| 006        | 28433-ZH8-801     | GUIDE, RATCHET                    | 1               |                       |
| 007        | 28441-ZH8-801     | SPRING, FRICTION                  | 1               |                       |
| 008        | 28442-ZH8-003     | SPRING, RECOIL STARTER            | 1               |                       |
| 009        | 28443-ZH8-801     | SPRING, RETURN                    | 2               |                       |
| 010        | 28461-ZH8-013     | KNOB, RECOIL STARTER              | 1               |                       |
| 011        | 28462-ZH8-003     | ROPE, RECOIL STARTER              | 1               |                       |
| 012        | 90003-ZH8-801     | SCREW, SETTING                    | 1               |                       |
| <u>Ref</u> | <u>Partnumber</u> | <u>Description</u>                | <u>GX120UT1</u> | <u>Serial Numbers</u> |
| 013        | 90008-ZE2-003     | BOLT, FLANGE, 6X10                | 3               |                       |

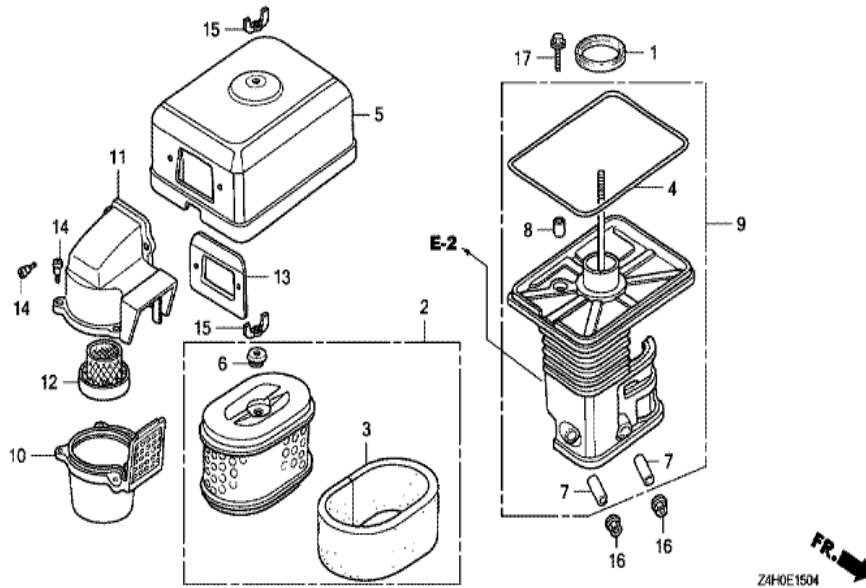


| Ref | Partnumber      | Description                | GX120UT1 | Serial Numbers |
|-----|-----------------|----------------------------|----------|----------------|
| 001 | 11347-371-300   | GROMMET, ADJUSTING COVER   | 1        |                |
| 002 | 19610-ZK7-V00ZC | COVER COMP., FAN *NH1 *    | 1        |                |
| 005 | 19612-ZK7-V00   | PLATE, SIDE                | 1        |                |
| 012 | 81329-567-020   | GROMMET, DRAIN HOLE        | 1        |                |
| 013 | 90013-883-000   | BOLT, FLANGE, 6X12 (CT200) | 4        |                |
| 014 | 90022-888-010   | BOLT, FLANGE, 6X20 (CT200) | 1        |                |

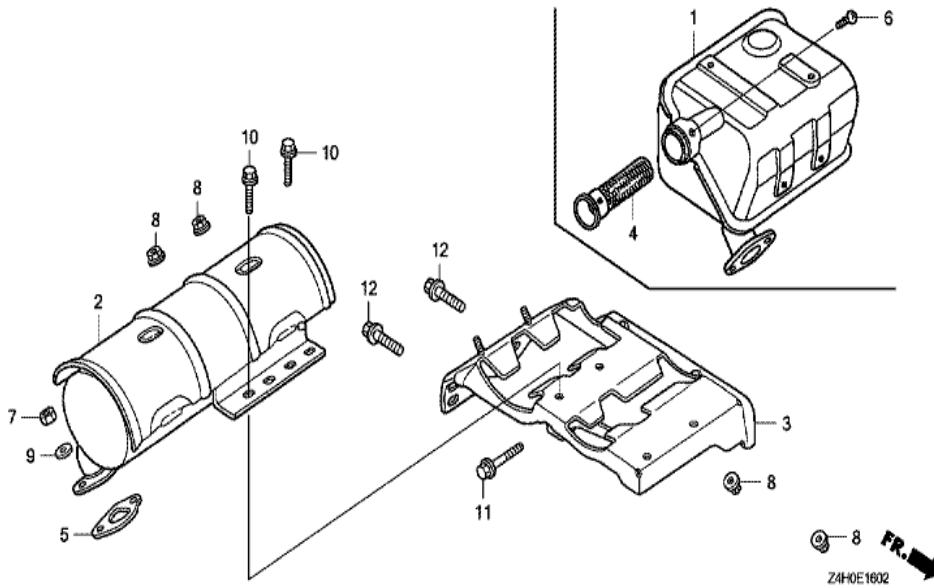


FR. →  
Z4H0E1403A

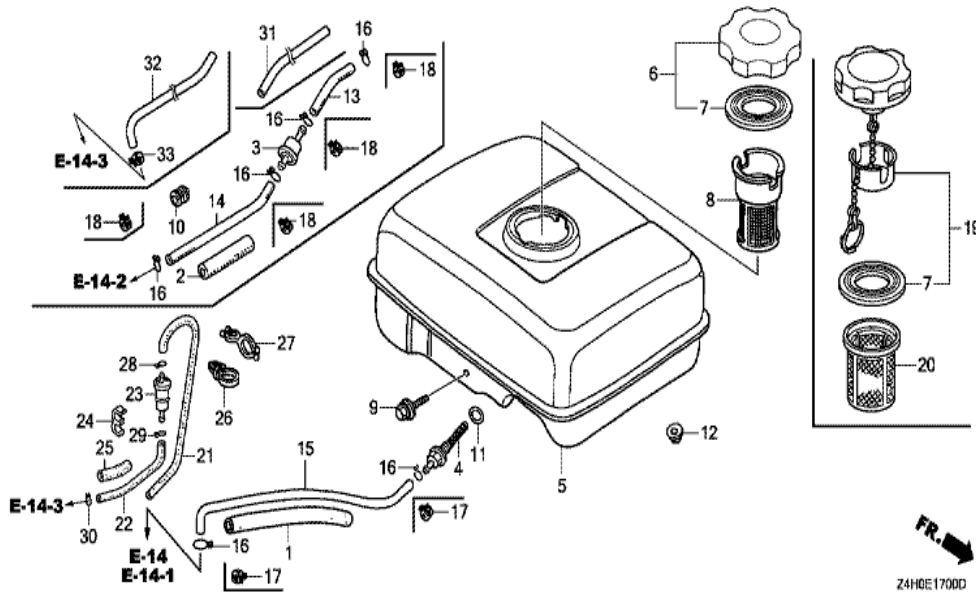
| Ref | Partnumber    | Description                    | GX120UT1 | Serial Numbers |
|-----|---------------|--------------------------------|----------|----------------|
| 001 | 16010-ZB1-015 | GASKET SET                     | 1        |                |
| 002 | 16011-ZE0-005 | VALVE SET, FLOAT               | 1        |                |
| 003 | 16013-ZOS-B01 | FLOAT SET                      | 1        |                |
| 004 | 16015-ZE1-811 | CHAMBER SET, FLOAT             | 1        |                |
| 005 | 16016-ZH7-W01 | SCREW SET, PILOT               | 1        |                |
| 006 | 16024-ZE1-811 | SCREW SET, DRAIN               | 1        |                |
| 007 | 16028-ZE0-005 | SCREW SET                      | 1        |                |
| 008 | 16044-ZE0-005 | CHOKE SET                      | 1        |                |
| 009 | 16100-Z4H-U31 | CARBURETOR ASSY. (BE62H A)     | 1        |                |
| 010 | 16124-ZE0-005 | SCREW, THROTTLE STOP           | 1        |                |
| 011 | 16166-ZH7-A50 | NOZZLE, MAIN                   | 1        |                |
| 012 | 16211-ZE0-000 | INSULATOR, CARBURETOR          | 1        |                |
| 013 | 16212-ZH7-800 | PACKING, INSULATOR             | 1        |                |
| Ref | Partnumber    | Description                    | GX120UT1 | Serial Numbers |
| 014 | 16220-ZE1-020 | SPACER COMP., CARBURETOR       | 1        |                |
| 015 | 16221-ZH8-801 | PACKING, CARBURETOR            | 1        |                |
| 016 | 16610-ZE1-000 | LEVER COMP., CHOKE (STD.)      | 1        |                |
| 019 | 94305-20122   | PIN, SPRING, 2X12              | 1        |                |
| 021 | 99101-ZH80580 | JET, MAIN, #58                 | (1)      |                |
| 021 | 99101-ZH80600 | JET, MAIN, #60                 | (1)      |                |
| 021 | 99101-ZH80620 | JET, MAIN, #62                 | 1        |                |
| 022 | 99204-ZE00350 | JET SET, PILOT, #35            | 1        |                |
| 023 | 16141-ZOS-003 | WASHER, PLAIN (6.2X10.7 DRAIN) | 1        |                |
| 023 | 16141-ZOS-003 | WASHER, PLAIN (6.2X10.7 DRAIN) | 1        |                |



| Ref | Partnumber    | Description                 | GX120UT1 | Serial Numbers |
|-----|---------------|-----------------------------|----------|----------------|
| 001 | 16271-ZE1-000 | PACKING, ELBOW              | 1        |                |
| 002 | 17210-ZE1-822 | ELEMENT, AIR CLEANER (DUAL) | 1        |                |
| 003 | 17218-ZE1-821 | FILTER, OUTER               | 1        |                |
| 004 | 17219-733-010 | PACKING, AIR CLEANER COVER  | 1        |                |
| 006 | 17232-891-000 | GROMMET, AIR CLEANER        | 1        |                |
| 007 | 17238-ZE0-010 | COLLAR, AIR CLEANER         | 2        |                |
| 008 | 17239-733-000 | COLLAR B, AIR CLEANER       | 1        |                |
| 009 | 17410-ZE0-840 | ELBOW COMP., AIR CLEANER    | 1        |                |
| 015 | 90325-044-000 | NUT, TOOL BOX SETTING       | 1        |                |
| 016 | 94050-06000   | NUT, FLANGE, 6MM            | 2        |                |
| 017 | 95701-0602000 | BOLT, FLANGE, 6X20          | 1        |                |

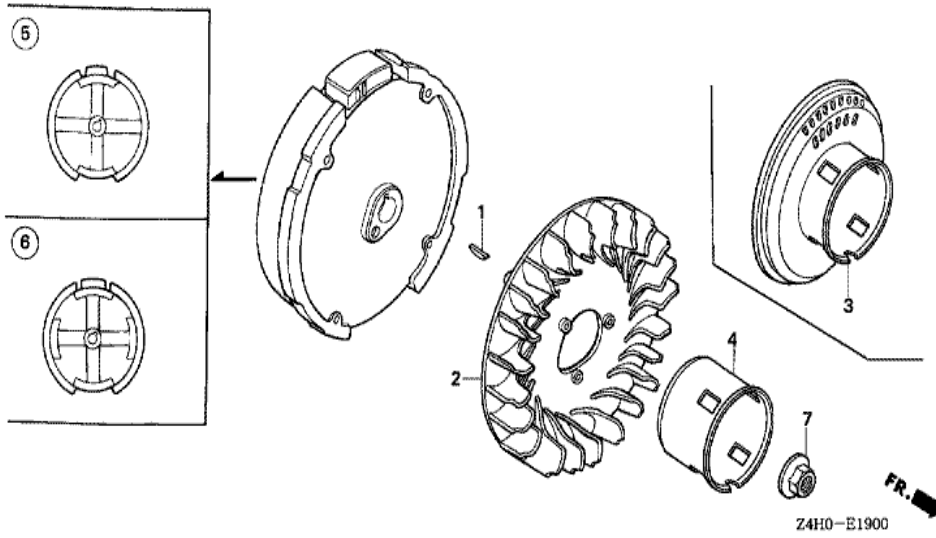


| Ref | Partnumber    | Description              | GX120UT1 | Serial Numbers |
|-----|---------------|--------------------------|----------|----------------|
| 001 | 18310-ZH8-810 | MUFFLER COMP. (ARRESTER) | (1)      |                |
| 002 | 18310-Z0S-V00 | MUFFLER COMP.            | 1        |                |
| 003 | 18338-ZK7-V01 | STAY COMP., MUFFLER      | 1        |                |
| 004 | 18355-ZE1-000 | ARRESTER, SPARK          | (1)      |                |
| 005 | 18381-Z0T-801 | GASKET, MUFFLER          | 1        |                |
| 006 | 90055-ZE1-000 | SCREW, TAPPING, 4X6      | (1)      |                |
| 007 | 94001-080000S | NUT, HEX., 8MM           | 2        |                |
| 008 | 94050-06000   | NUT, FLANGE, 6MM         | 4        |                |
| 009 | 94103-08700   | WASHER, PLAIN, 8MM       | 2        |                |
| 010 | 95701-0601600 | BOLT, FLANGE, 6X16       | 2        |                |
| 011 | 95701-0602500 | BOLT, FLANGE, 6X25       | 1        |                |
| 012 | 95701-0802000 | BOLT, FLANGE, 8X20       | 2        |                |

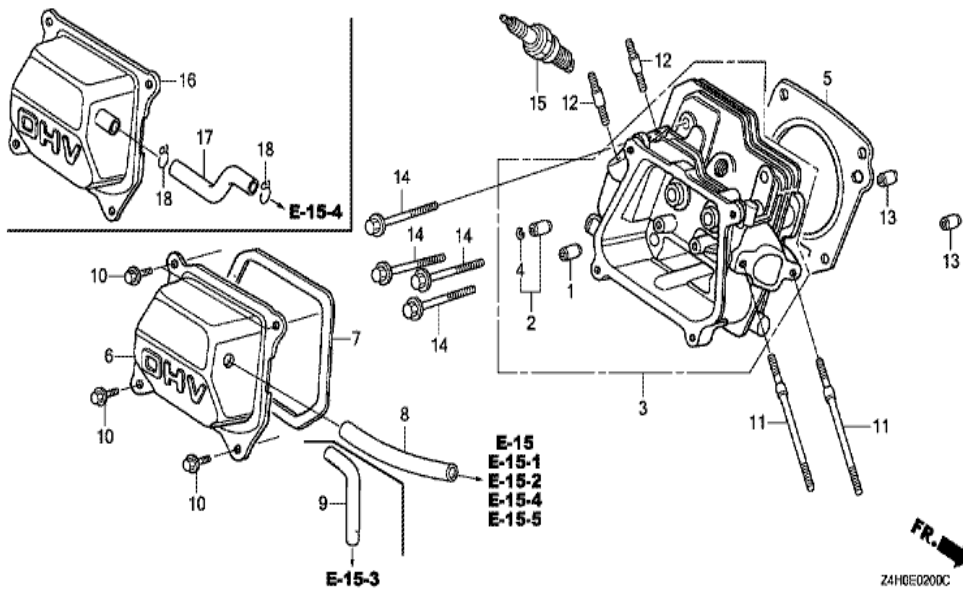


Z4H0E1700D

| Ref | Partnumber    | Description                              | GX120UT1 | Serial Numbers |
|-----|---------------|--|----------|----------------|
| 002 | 35376-ZV5-830 | TUBE, POWER TRIM-TILT SWITCH CORD (50MM) | 1        |                |
| 003 | 16910-GB2-005 | STRAINER COMP., FUEL                     | 1        |                |
| 018 | 95002-4080008 | CLAMP, TUBE (D8)                         | 2        |                |
| 021 | 16198-ZG0-U00 | TUBE A, AIR VENT                         | 1        |                |
| 022 | 16199-ZK7-S50 | TUBE                                     | 1        |                |
| 023 | 16910-ZG0-U02 | STRAINER COMP., FUEL                     | 1        |                |
| 024 | 17205-PC6-000 | CLAMP, TUBE, 7.5X2                       | 1        |                |
| 025 | 35376-ZV5-830 | TUBE, POWER TRIM-TILT SWITCH CORD (50MM) | 1        |                |
| 026 | 90617-SA0-003 | CLIP, WIRE HARNESS                       | 1        |                |
| 028 | 95002-02080   | CLIP, TUBE (B8)                          | 1        |                |
| 029 | 95002-02100   | CLIP, TUBE (B10)                         | 1        |                |
| 030 | 95002-50000   | CLIP, TUBE (C9)                          | 1        |                |
| 031 | 91424-Z4J-812 | TUBE, FUEL, 4.5X300 (FKM)                | 1        |                |
| Ref | Partnumber    | Description                              | GX120UT1 | Serial Numbers |
| 032 | 91424-Z4K-802 | TUBE, FUEL, 4.5X180 (FKM)                | 1        |                |
| 033 | 95002-4080008 | CLAMP, TUBE (D8)                         | 1        |                |

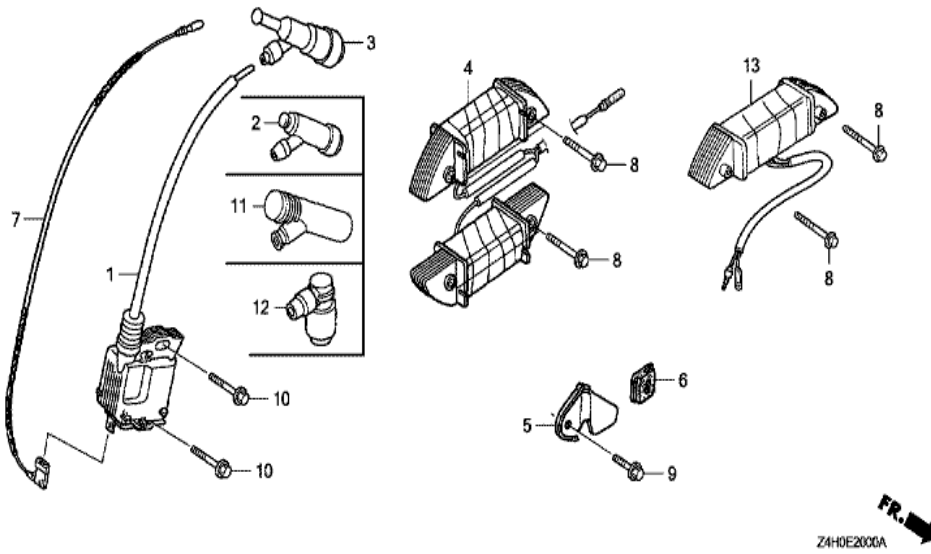


| Ref | Partnumber    | Description                  | GX120UT1 | Serial Numbers |
|-----|---------------|------------------------------|----------|----------------|
| 001 | 13331-357-000 | KEY, SPECIAL WOODRUFF, 25X18 | 1        |                |
| 002 | 19511-ZE0-000 | FAN, COOLING                 | 1        |                |
| 004 | 28451-ZH7-801 | PULLEY, STARTER              | 1        |                |
| 005 | 31100-ZE0-020 | FLYWHEEL COMP.               | 1        |                |
| 007 | 90201-ZOT-800 | NUT, SPECIAL, 14MM           | 1        |                |

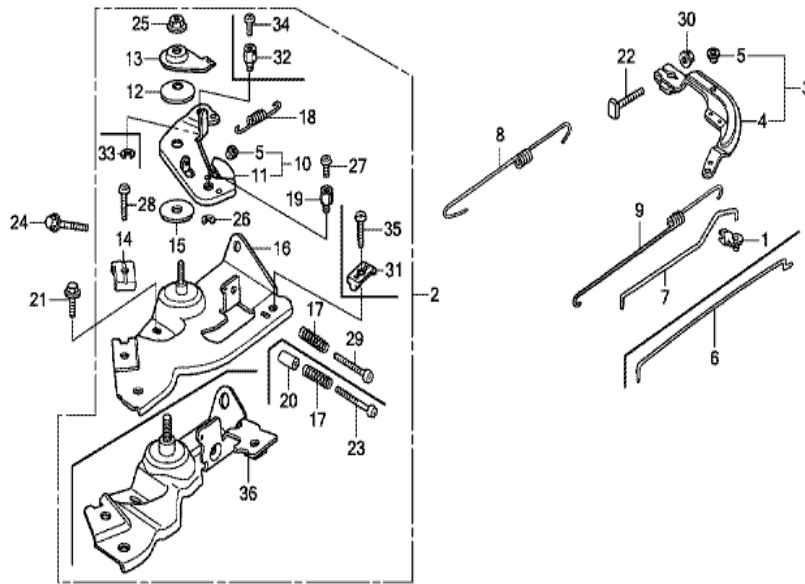


| Ref | Partnumber    | Description                           | GX120UT1 | Serial Numbers |
|-----|---------------|---------------------------------------|----------|----------------|
| 001 | 12204-ZE1-306 | GUIDE, IN. VALVE (OS)                 | 1        |                |
| 002 | 12205-ZE1-315 | GUIDE, EX. VALVE (OS)                 | 1        |                |
| 003 | 12210-ZH7-415 | HEAD COMP., CYLINDER                  | 1        |                |
| 004 | 12216-ZE5-300 | CLIP, VALVE GUIDE                     | 1        |                |
| 005 | 12251-Z0S-801 | GASKET, CYLINDER HEAD (THAI LEAKLESS) | 1        |                |
| 006 | 12310-ZE1-020 | COVER COMP., HEAD                     | 1        |                |
| 007 | 12391-ZE1-000 | PACKING, HEAD COVER                   | 1        |                |
| 008 | 15721-ZH8-000 | TUBE, BREATHER                        | 1        |                |
| 010 | 90013-883-000 | BOLT, FLANGE, 6X12 (CT200)            | 4        |                |
| 011 | 90043-ZE1-020 | BOLT, STUD, 6X112                     | 2        |                |
| 012 | 90047-ZE1-000 | BOLT, STUD, 8X32                      | 2        |                |
| 013 | 94301-10160   | DOWEL PIN, 10X16                      | 2        |                |
| 014 | 95701-0805500 | BOLT, FLANGE, 8X55                    | 4        |                |
| Ref | Partnumber    | Description                           | GX120UT1 | Serial Numbers |
| 015 | 98079-54846   | PLUG, SPARK (BPR4ES) (NGK)            | 1        |                |
| 015 | 98079-54855   | PLUG, SPARK (W14EPR-U) (DENSO)        | 1        |                |



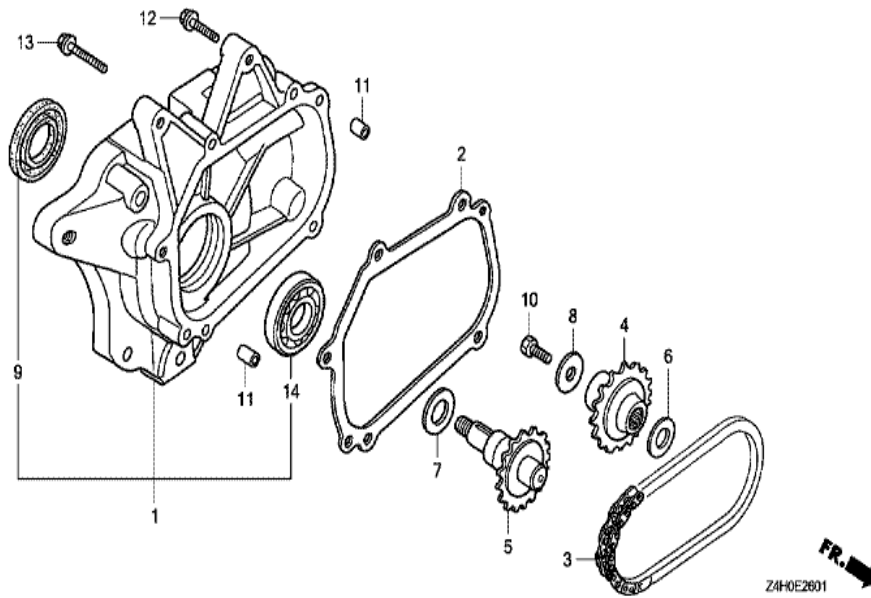


| Ref | Partnumber    | Description                 | GX120UT1 | Serial Numbers |
|-----|---------------|-----------------------------|----------|----------------|
| 001 | 30500-Z0T-802 | COIL ASSY., IGNITION (TEC)  | 1        |                |
| 001 | 30500-Z0T-802 | COIL ASSY., IGNITION (TEC)  | 1        |                |
| 007 | 36101-ZE1-010 | CORD, STOP SWITCH (370MM)   | 1        |                |
| 007 | 36101-ZE1-010 | CORD, STOP SWITCH (370MM)   | 1        |                |
| 010 | 90121-952-000 | BOLT, FLANGE, 6X25 (CT200)  | 2        |                |
| 012 | 30700-ZJ1-841 | CAP ASSY., NOISE SUPPRESSOR | 1        |                |

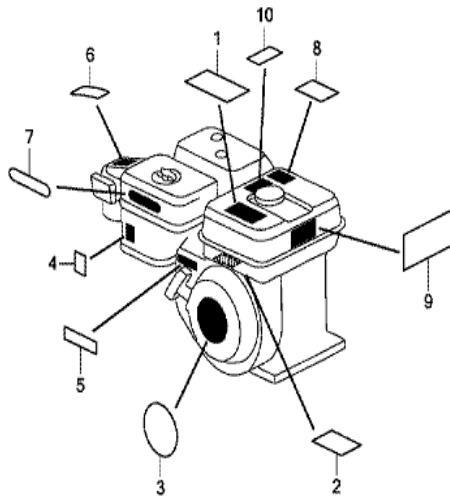


FR. →  
Z4H0E2202A

| <u>Ref</u> | <u>Partnumber</u> | <u>Description</u>         | <u>GX120UT1</u> | <u>Serial Numbers</u> |
|------------|-------------------|----------------------------|-----------------|-----------------------|
| 001        | 16263-883-W10     | JOINT, ROD                 | 1               |                       |
| 002        | 16500-Z4H-830     | CONTROL ASSY.              | 1               |                       |
| 002        | 16500-Z4H-830     | CONTROL ASSY.              | 1               |                       |
| 003        | 16550-ZK7-S50     | ARM COMP., GOVERNOR        | 1               |                       |
| 005        | 16552-896-650     | COLLAR, LEVER              | 2               |                       |
| 007        | 16555-ZK7-S30     | ROD, GOVERNOR              | 1               |                       |
| 008        | 16561-ZK7-S50     | SPRING, GOVERNOR           | 1               |                       |
| 009        | 16562-ZE0-020     | SPRING, THROTTLE RETURN    | 1               |                       |
| 010        | 16570-ZK7-S50     | LEVER COMP., CONTROL       | 1               |                       |
| 012        | 16574-ZE1-000     | SPRING, LEVER              | 1               |                       |
| 013        | 16575-ZH8-000     | WASHER, CONTROL LEVER      | 1               |                       |
| 015        | 16578-ZE1-000     | SPACER, CONTROL LEVER      | 1               |                       |
| 016        | 16580-ZH7-810     | BASE COMP., CONTROL (###)  | 1               |                       |
| <u>Ref</u> | <u>Partnumber</u> | <u>Description</u>         | <u>GX120UT1</u> | <u>Serial Numbers</u> |
| 017        | 16584-883-300     | SPRING, CONTROL ADJUSTING  | 1               |                       |
| 018        | 16592-ZE1-810     | SPRING, CABLE RETURN       | 1               |                       |
| 021        | 90013-883-000     | BOLT, FLANGE, 6X12 (CT200) | 1               |                       |
| 022        | 90015-ZE5-010     | BOLT, GOVERNOR ARM         | 1               |                       |
| 024        | 90022-888-010     | BOLT, FLANGE, 6X20 (CT200) | 1               |                       |
| 025        | 90114-SA0-000     | NUT, SELF-LOCK, 6MM        | 1               |                       |
| 029        | 93500-050250H     | SCREW, PAN, 5X25           | 1               |                       |
| 030        | 94050-06000       | NUT, FLANGE, 6MM           | 1               |                       |
| 031        | 16576-891-000     | HOLDER, CABLE              | 1               |                       |
| 032        | 16594-883-010     | HOLDER, WIRE               | 1               |                       |
| 033        | 90605-230-000     | CIRCLIP, 5MM               | 1               |                       |
| 034        | 93500-040060H     | SCREW, PAN, 4X6            | 1               |                       |
| 035        | 93500-050160A     | SCREW, PAN, 5X16           | 1               |                       |

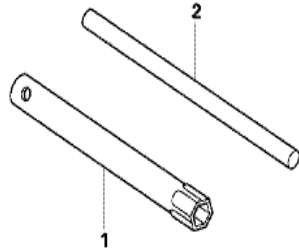


| <u>Ref</u> | <u>Partnumber</u> | <u>Description</u>         | <u>GX120UT1</u> | <u>Serial Numbers</u> |
|------------|-------------------|----------------------------|-----------------|-----------------------|
| 001        | 11500-ZK7-V00     | COVER ASSY., CHAIN CASE    | 1               |                       |
| 002        | 11521-ZK7-V00     | PACKING, CHAIN CASE COVER  | 1               |                       |
| 003        | 14411-ZK7-V01     | CHAIN, P.T.O. DRIVE        | 1               |                       |
| 004        | 23121-ZK7-V00     | SPROCKET, DRIVE (17T)      | 1               |                       |
| 005        | 23151-ZK7-V00     | SHAFT, P.T.O. (16T)        | 1               |                       |
| 006        | 90454-428-000     | WASHER, THRUST, 20MM       | 1               |                       |
| 007        | 90456-ZE1-000     | SPRING, THRUST             | 1               |                       |
| 008        | 90471-ZE1-610     | WASHER, 8MM                | 1               |                       |
| 009        | 91252-888-003     | OIL SEAL, 25X38X7 (ARAI)   | 1               |                       |
| 010        | 92101-080250A     | BOLT, HEX., 8X25           | 1               |                       |
| 011        | 94303-08140       | DOWEL PIN, 8X14            | 2               |                       |
| 012        | 95701-0803500     | BOLT, FLANGE, 8X35         | 4               |                       |
| 013        | 95701-0805500     | BOLT, FLANGE, 8X55         | 1               |                       |
| <u>Ref</u> | <u>Partnumber</u> | <u>Description</u>         | <u>GX120UT1</u> | <u>Serial Numbers</u> |
| 014        | 96100-6005000     | BEARING, RADIAL BALL, 6005 | 1               |                       |



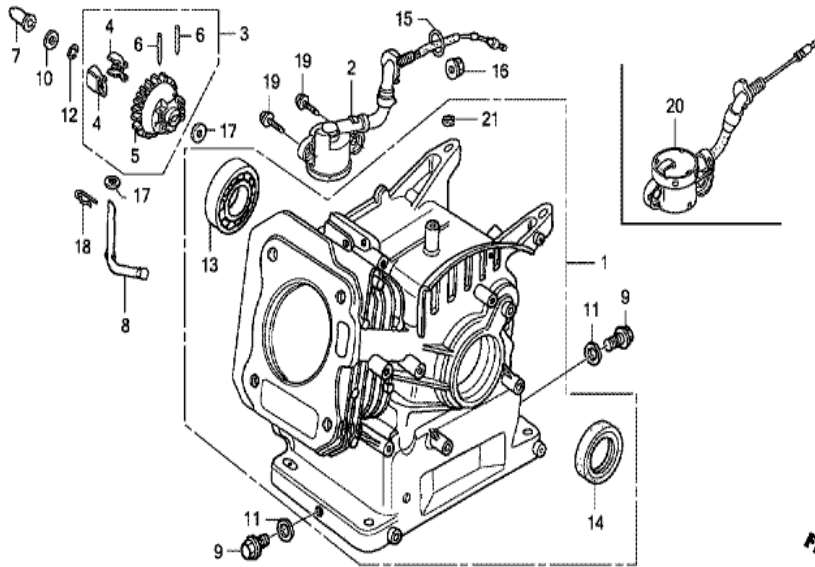
Z4H0E2800C

| Ref | Partnumber    | Description    | GX120UT1 | Serial Numbers |
|-----|---------------|----------------|----------|----------------|
| 003 | 87521-ZH7-040 | EMBLEM (GX120) | 1        |                |



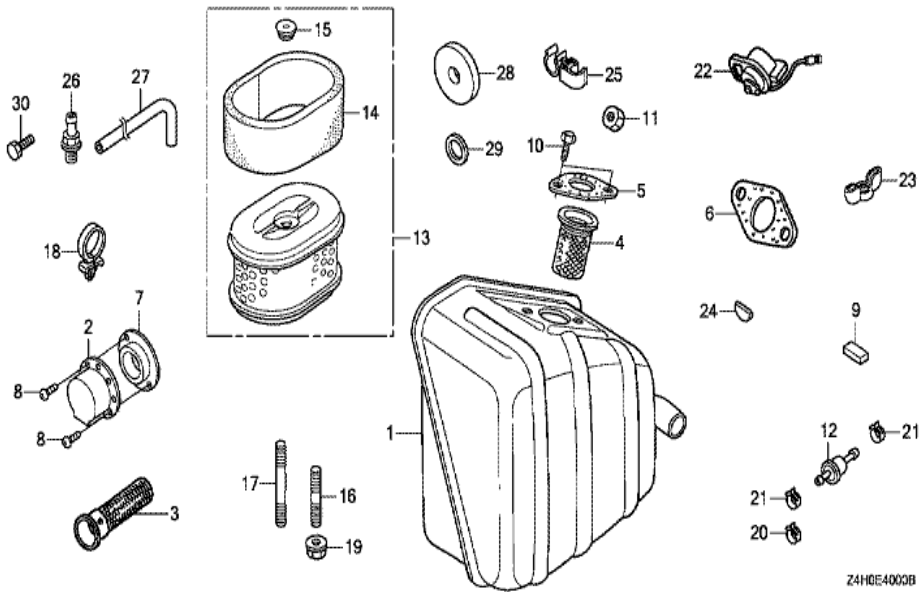
Z4H0-E2900

| <u>Ref</u> | <u>Partnumber</u> | <u>Description</u> | <u>GX120UT1</u> | <u>Serial Numbers</u> |
|------------|-------------------|--------------------|-----------------|-----------------------|
| 001        | 89216-ZOT-800     | WRENCH, SPARK PLUG | 1               |                       |

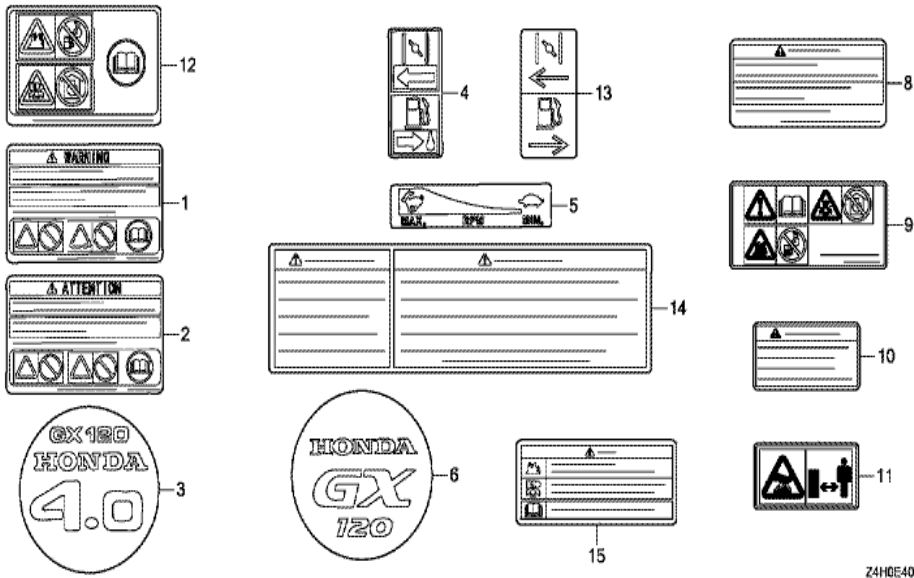


Z4H0E0300B

| <u>Ref</u> | <u>Partnumber</u> | <u>Description</u>         | <u>GX120UT1</u> | <u>Serial Numbers</u> |
|------------|-------------------|----------------------------|-----------------|-----------------------|
| 001        | 12000-Z4H-405     | BARREL ASSY., CYLINDER     | 1               |                       |
| 003        | 16510-ZE1-000     | GOVERNOR ASSY.             | 1               |                       |
| 004        | 16511-ZE1-000     | WEIGHT, GOVERNOR           | 2               |                       |
| 005        | 16512-ZE1-000     | HOLDER, GOVERNOR WEIGHT    | 1               |                       |
| 006        | 16513-ZE1-000     | PIN, GOVERNOR WEIGHT       | 2               |                       |
| 007        | 16531-ZE1-000     | SLIDER, GOVERNOR           | 1               |                       |
| 008        | 16541-ZE1-000     | SHAFT, GOVERNOR ARM        | 1               |                       |
| 009        | 90131-ZE1-000     | BOLT, DRAIN PLUG           | 2               |                       |
| 010        | 90451-ZE1-000     | WASHER, THRUST, 6MM        | 1               |                       |
| 011        | 90601-ZE1-000     | WASHER, DRAIN PLUG, 10.2MM | 2               |                       |
| 012        | 90602-ZE1-000     | CLIP, GOVERNOR HOLDER      | 1               |                       |
| 013        | 91001-878-003     | BEARING, RADIAL BALL,      | 1               |                       |
| 014        | 91202-ZE6-013     | OIL SEAL, 22X35X6          | 1               |                       |
| <u>Ref</u> | <u>Partnumber</u> | <u>Description</u>         | <u>GX120UT1</u> | <u>Serial Numbers</u> |
| 017        | 94101-06800       | WASHER, PLAIN, 6MM         | 2               |                       |
| 018        | 94251-08000       | PIN, LOCK, 8MM             | 1               |                       |
| 021        | 91231-891-003     | OIL SEAL, 6X11X4 (ARAI)    | 1               |                       |



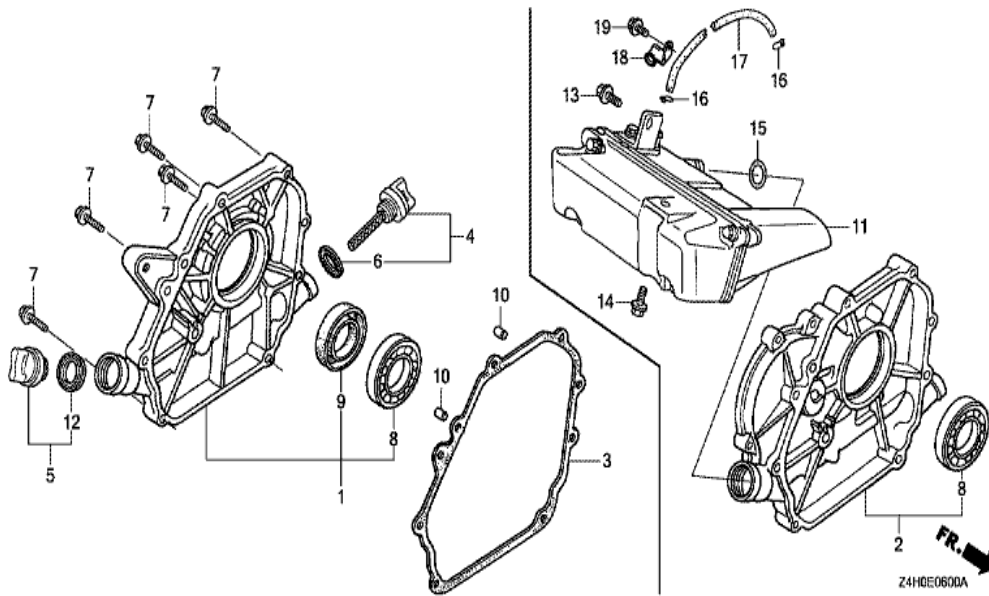
| Ref | Partnumber    | Description               | GX120UT1 | Serial Numbers |
|-----|---------------|---------------------------|----------|----------------|
| 011 | 94002-120000S | NUT, HEX., 12MM           | 1        |                |
| 016 | 90001-ZK7-V00 | BOLT, STUD, 10X32         | 4        |                |
| 017 | 90002-ZK7-V00 | BOLT, STUD, 10X60         | 1        |                |
| 019 | 94050-10000   | NUT, FLANGE, 10MM         | 5        |                |
| 020 | 95002-4085008 | CLAMP, TUBE (D8.5)        | 1        |                |
| 021 | 95002-4105008 | CLAMP, TUBE (D10.5)       | 2        |                |
| 022 | 35120-Z0T-801 | SWITCH ASSY., ENGINE STOP | 1        |                |
| 023 | 90325-044-000 | NUT, TOOL BOX SETTING     | 1        |                |
| 024 | 90741-Z0D-V50 | KEY, WOODRUFF, 13X12      | 1        |                |
| 025 | 91405-Z4E-811 | CLIP, TUBE                | 1        |                |



Z4H0E4001D

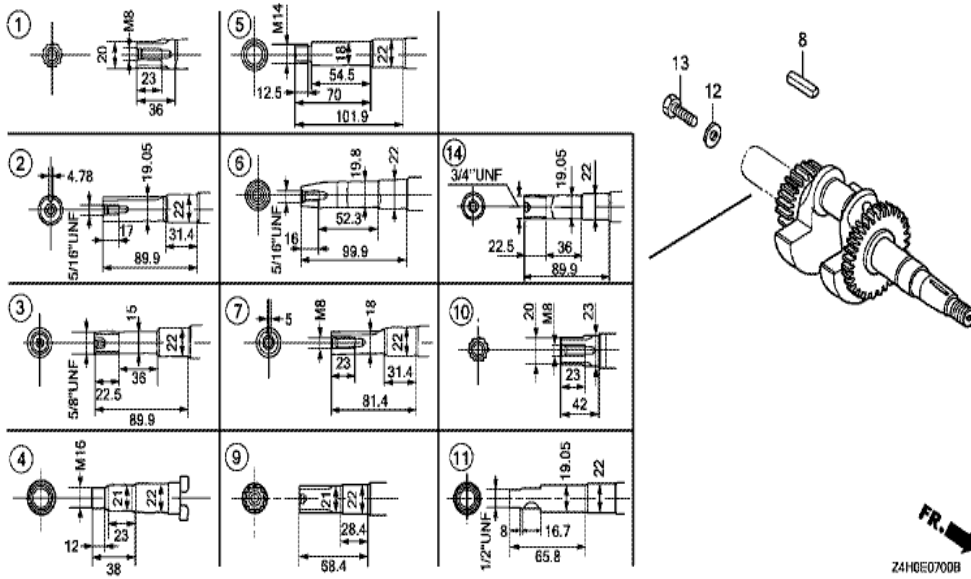
| Ref | Partnumber    | Description                              | GX120UT1 | Serial Numbers |
|-----|---------------|--|----------|----------------|
| 004 | 87528-ZH7-000 | MARK, CHOKE (GRAY)                       | 1        |                |
| 008 | 87516-Z4H-010 | MARK, OPERATOR CAUTION (ENGLISH) (MADE I | 1        |                |
| 008 | 87516-Z4H-801 | MARK, OPERATOR CAUTION (FRENCH) (MADE IN | 1        |                |
| 008 | 87516-Z4H-801 | MARK, OPERATOR CAUTION (FRENCH) (MADE IN | 1        |                |
| 009 | 87519-Z4H-000 | MARK, OPERATOR CAUTION (PICTOGRAPH)      | 1        |                |



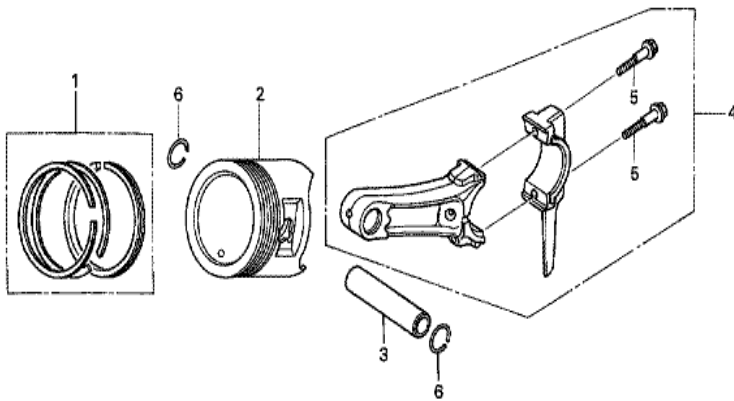


Z4H0E0600A

| Ref | Partnumber    | Description                          | GX120UT1 | Serial Numbers |
|-----|---------------|--------------------------------------|----------|----------------|
| 002 | 11300-ZK7-V00 | COVER ASSY., CRANKCASE               | 1        |                |
| 003 | 11381-ZK7-V00 | PACKING, CASE COVER                  | 1        |                |
| 004 | 15600-Z0T-810 | CAP ASSY., OIL FILLER (GAUGE) (GRAY) | 1        |                |
| 006 | 15625-Z0T-800 | PACKING, OIL FILLER CAP              | 1        |                |
| 007 | 90015-883-000 | BOLT, FLANGE, 6X28 (CT200)           | 7        |                |
| 008 | 91001-878-003 | BEARING, RADIAL BALL,                | 1        |                |
| 010 | 94303-08140   | DOWEL PIN, 8X14                      | 2        |                |
| 011 | 15500-ZK7-V00 | TANK ASSY., OIL                      | 1        |                |
| 013 | 90014-952-000 | BOLT, FLANGE, 6X14 (CT200)           | 1        |                |
| 014 | 90029-888-000 | BOLT, FLANGE, 6X16 (CT200)           | 1        |                |
| 015 | 91304-MJ0-003 | O-RING, 15.8X2.4 (SHOWA)             | 1        |                |
| 016 | 95002-02070   | CLIP, TUBE (B7)                      | 2        |                |
| 017 | 95005-3515010 | TUBE, 3.5X150 (95005-35001-10M)      | 1        |                |



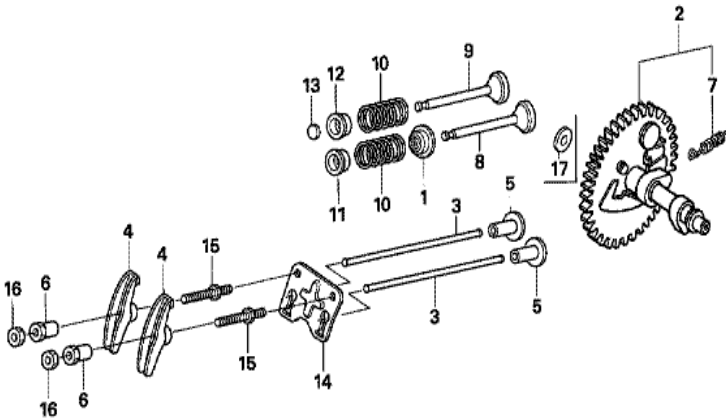
| Ref | Partnumber    | Description      | GX120UT1 | Serial Numbers |
|-----|---------------|------------------|----------|----------------|
| 010 | 13310-Z4H-V00 | CRANKSHAFT COMP. | 1        |                |



Z4F0-E0800



| <u>Ref</u> | <u>Partnumber</u> | <u>Description</u>                | <u>GX120UT1</u> | <u>Serial Numbers</u> |
|------------|-------------------|-----------------------------------|-----------------|-----------------------|
| 001        | 13010-Z4F-004     | RING SET, PISTON (STD.) (TEIKOKU) | 1               |                       |
| 001        | 13011-Z4F-004     | RING SET, PISTON (0.25) (TEIKOKU) | (1)             |                       |
| 001        | 13012-Z4F-004     | RING SET, PISTON (0.50) (TEIKOKU) | (1)             |                       |
| 001        | 13013-Z4F-004     | RING SET, PISTON (0.75) (TEIKOKU) | (1)             |                       |
| 002        | 13101-ZH7-020     | PISTON (STD.)                     | 1               |                       |
| 002        | 13101-ZH7-020     | PISTON (STD.)                     | 1               | 1141324               |
| 002        | 13102-ZH7-020     | PISTON (0.25)                     | (1)             |                       |
| 002        | 13102-ZH7-020     | PISTON (0.25)                     | (1)             |                       |
| 002        | 13103-ZH7-020     | PISTON (0.50)                     | (1)             |                       |
| 002        | 13103-ZH7-020     | PISTON (0.50)                     | (1)             |                       |
| 002        | 13104-ZH7-020     | PISTON (0.75)                     | (1)             |                       |
| 002        | 13104-ZH7-020     | PISTON (0.75)                     | (1)             |                       |
| 003        | 13111-ZE0-000     | PIN, PISTON                       | 1               |                       |
| <u>Ref</u> | <u>Partnumber</u> | <u>Description</u>                | <u>GX120UT1</u> | <u>Serial Numbers</u> |
| 004        | 13200-Z0S-800     | ROD ASSY., CONNECTING             | 1               |                       |
| 005        | 90001-ZE1-000     | BOLT, CONNECTING ROD              | 2               |                       |
| 006        | 90551-ZE0-000     | CLIP, PISTON PIN, 13MM            | 2               |                       |



Z4H0-E0900A



| <u>Ref</u> | <u>Partnumber</u> | <u>Description</u>         | <u>GX120UT1</u> | <u>Serial Numbers</u> |
|------------|-------------------|----------------------------|-----------------|-----------------------|
| 001        | 12209-ZH8-003     | SEAL, VALVE STEM           | 1               |                       |
| 002        | 14100-ZH7-B20     | CAMSHAFT ASSY.             | 1               |                       |
| 003        | 14410-ZE0-010     | ROD, PUSH                  | 2               |                       |
| 004        | 14431-ZE1-000     | ARM, VALVE ROCKER          | 2               |                       |
| 005        | 14441-ZE1-010     | LIFTER, VALVE              | 2               |                       |
| 006        | 14451-ZE1-013     | PIVOT, ROCKER ARM          | 2               |                       |
| 006        | 14451-ZE1-013     | PIVOT, ROCKER ARM          | 2               |                       |
| 007        | 14568-ZE1-000     | SPRING, WEIGHT RETURN      | 1               |                       |
| 008        | 14711-ZF0-010     | VALVE, IN.                 | 1               |                       |
| 009        | 14721-ZF0-000     | VALVE, EX.                 | 1               |                       |
| 010        | 14751-ZF1-000     | SPRING, VALVE              | 2               |                       |
| 011        | 14771-ZE1-000     | RETAINER, IN. VALVE SPRING | 1               |                       |
| 011        | 14771-ZE1-000     | RETAINER, IN. VALVE SPRING | 1               |                       |
| <u>Ref</u> | <u>Partnumber</u> | <u>Description</u>         | <u>GX120UT1</u> | <u>Serial Numbers</u> |
| 012        | 14773-Z4X-000     | RETAINER, EX. VALVE SPRING | 1               |                       |
| 012        | 14773-Z4X-000     | RETAINER, EX. VALVE SPRING | 1               |                       |
| 013        | 14781-ZE1-000     | ROTATOR, VALVE             | 1               |                       |
| 014        | 14791-ZE0-010     | PLATE, PUSH ROD GUIDE      | 1               |                       |
| 015        | 90012-ZE0-010     | BOLT, PIVOT, 8MM           | 2               |                       |
| 016        | 90206-ZE1-000     | NUT, PIVOT ADJUSTING       | 2               |                       |