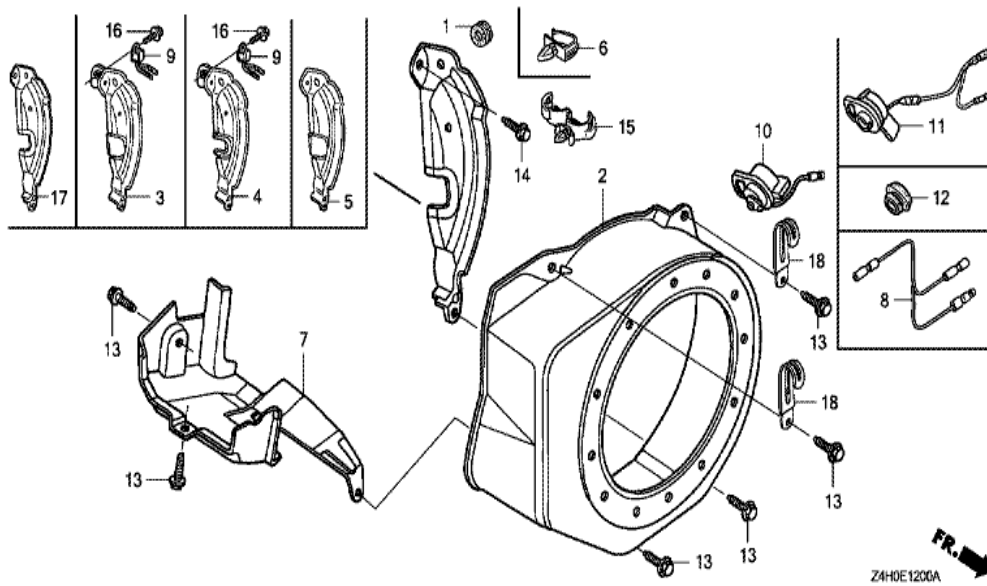
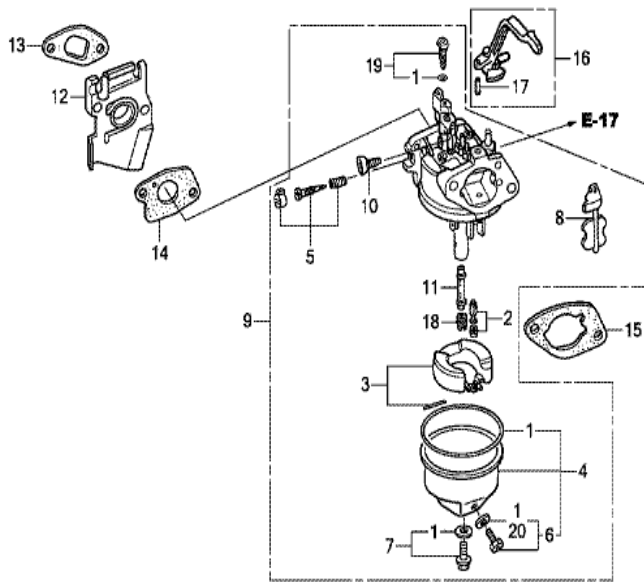


FR. →
Z4H0E1100A

Ref	Partnumber	Description	GX120UT1	Serial Numbers
001	28400-ZH8-023YA	STARTER ASSY., RECOIL *R280 *	1	
001	28400-ZH8-023YA	STARTER ASSY., RECOIL *R280 *	1	
001	28400-ZH8-023YA	STARTER ASSY., RECOIL *R280 *	1	
001	28400-ZH8-023ZB	STARTER ASSY., RECOIL *NH1 *	1	
001	28400-ZH8-023ZB	STARTER ASSY., RECOIL *NH1 *	1	1315300
001	28400-ZH8-023ZB	STARTER ASSY., RECOIL *NH1 *	1	1315300
001	28400-ZH8-023ZB	STARTER ASSY., RECOIL *NH1 *	1	1315300
001	28400-ZH8-033ZB	STARTER ASSY., RECOIL *NH1 *	1	1315301
001	28400-ZH8-033ZB	STARTER ASSY., RECOIL *NH1 *	1	1315301
002	28410-ZH8-003YA	CASE COMP., RECOIL STARTER *R280 *	1	
002	28410-ZH8-003YA	CASE COMP., RECOIL STARTER *R280 *	1	
002	28410-ZH8-003YA	CASE COMP., RECOIL STARTER *R280 *	1	
002	28410-ZH8-003ZB	CASE COMP., RECOIL STARTER *NH1 *	1	
Ref	Partnumber	Description	GX120UT1	Serial Numbers
002	28410-ZH8-003ZB	CASE COMP., RECOIL STARTER *NH1 *	1	
002	28410-ZH8-003ZB	CASE COMP., RECOIL STARTER *NH1 *	1	
002	28410-ZH8-003ZB	CASE COMP., RECOIL STARTER *NH1 *	1	
003	28421-ZH8-801	REEL, RECOIL STARTER (BLACK)	1	
003	28421-ZH8-801	REEL, RECOIL STARTER (BLACK)	1	
004	28422-ZH8-801	RATCHET, STARTER	2	
005	28431-ZH8-801	PLATE, FRICTION	1	
006	28433-ZH8-801	GUIDE, RATCHET	1	
007	28441-ZH8-801	SPRING, FRICTION	1	
008	28442-ZH8-003	SPRING, RECOIL STARTER	1	
009	28443-ZH8-801	SPRING, RETURN	2	
010	28461-ZH8-003	GRIP, STARTER	1	1278007
010	28461-ZH8-003	GRIP, STARTER	1	1278007
010	28461-ZH8-013	KNOB, RECOIL STARTER	1	1278008
010	28461-ZH8-013	KNOB, RECOIL STARTER	1	1278008
011	28462-ZH8-003	ROPE, RECOIL STARTER	1	
012	90003-ZH8-801	SCREW, SETTING	1	
013	90008-ZE2-003	BOLT, FLANGE, 6X10	3	

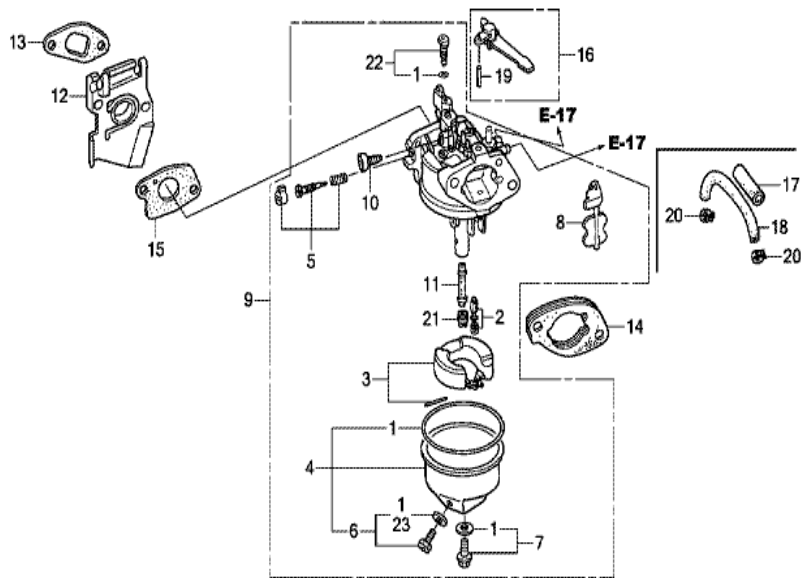


Ref	Partnumber	Description	GX120UT1	Serial Numbers
001	11347-371-300	GROMMET, ADJUSTING COVER	1	
002	19610-ZK7-V00ZC	COVER COMP., FAN *NH1 *	1	
002	19610-ZK7-V00ZC	COVER COMP., FAN *NH1 *	1	
002	19610-ZK7-V00ZD	COVER COMP., FAN *R280 *	1	
002	19610-ZK7-V00ZD	COVER COMP., FAN *R280 *	1	
005	19612-ZK7-V00	PLATE, SIDE	1	
005	19612-ZK7-V00	PLATE, SIDE	1	
010	35120-Z0T-801	SWITCH ASSY., ENGINE STOP	1	
013	90013-883-000	BOLT, FLANGE, 6X12 (CT200)	4	
014	90022-888-010	BOLT, FLANGE, 6X20 (CT200)	1	



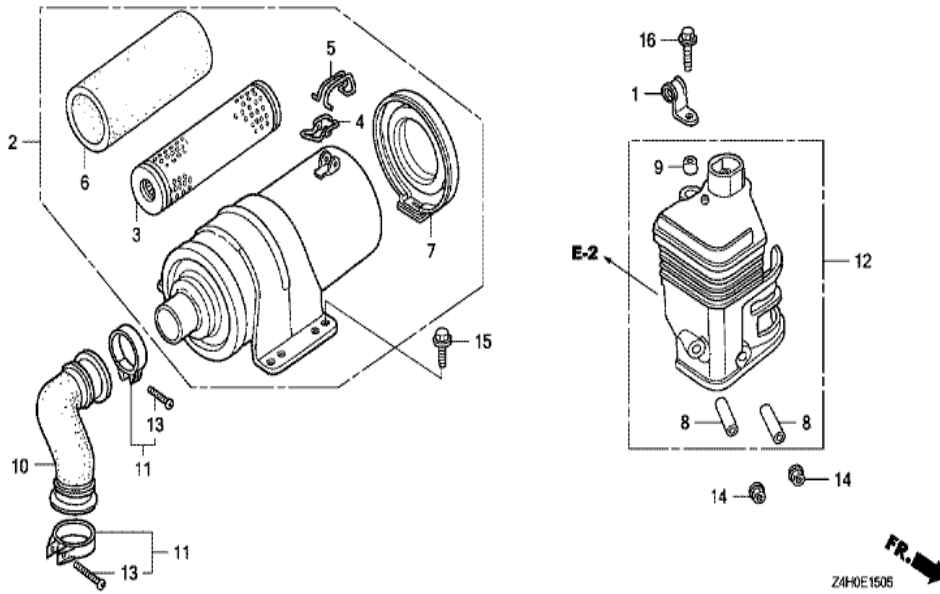
FR. 
Z4H0E1402D

<u>Ref</u>	<u>Partnumber</u>	<u>Description</u>	<u>GX120UT1</u>	<u>Serial Numbers</u>
001	16010-ZB1-015	GASKET SET	1	
002	16011-ZE0-005	VALVE SET, FLOAT	1	
003	16013-Z0S-B01	FLOAT SET	1	
004	16015-ZE1-811	CHAMBER SET, FLOAT	1	
004	16015-ZE1-811	CHAMBER SET, FLOAT	1	
005	16016-ZH7-W01	SCREW SET, PILOT	1	
006	16024-ZE1-811	SCREW SET, DRAIN	1	
007	16028-ZE0-005	SCREW SET	1	
008	16044-ZE0-005	CHOKE SET	1	
009	16100-Z4H-U31	CARBURETOR ASSY. (BE62H A)	1	
009	16100-Z4H-U31	CARBURETOR ASSY. (BE62H A)	1	
010	16124-ZE0-005	SCREW, THROTTLE STOP	1	
011	16166-ZH7-A50	NOZZLE, MAIN	1	
<u>Ref</u>	<u>Partnumber</u>	<u>Description</u>	<u>GX120UT1</u>	<u>Serial Numbers</u>
012	16211-ZE0-000	INSULATOR, CARBURETOR	1	
013	16212-ZH7-800	PACKING, INSULATOR	1	
014	16221-ZH8-801	PACKING, CARBURETOR	1	
017	94305-20122	PIN, SPRING, 2X12	1	
018	99101-ZH80580	JET, MAIN, #58	(1)	
018	99101-ZH80600	JET, MAIN, #60	(1)	
018	99101-ZH80600	JET, MAIN, #60	(1)	
018	99101-ZH80620	JET, MAIN, #62	1	
018	99101-ZH80620	JET, MAIN, #62	1	
019	99204-ZE00350	JET SET, PILOT, #35	1	
020	16220-ZE1-020	SPACER COMP., CARBURETOR	1	
021	16610-ZE1-000	LEVER COMP., CHOKE (STD.)	1	

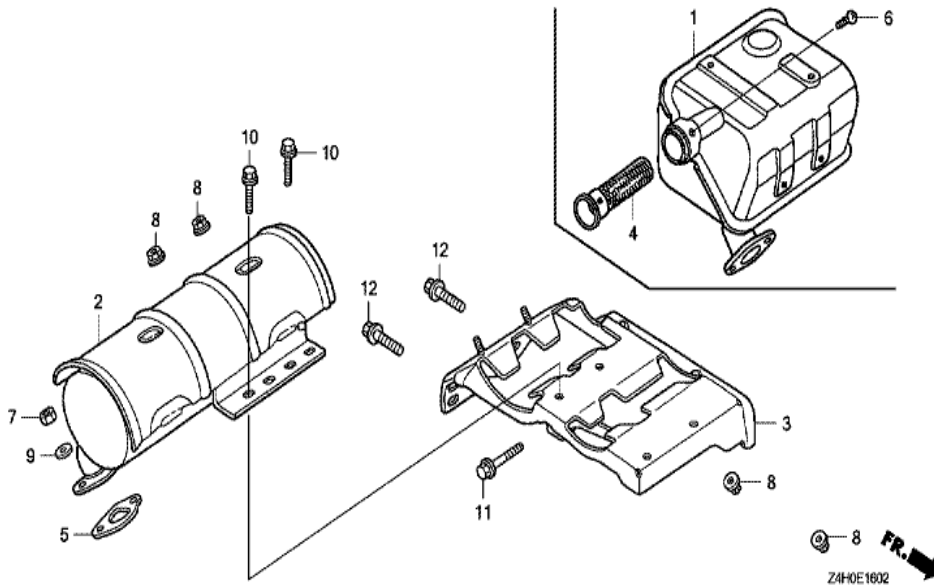


FR. →
Z4H0E1403A

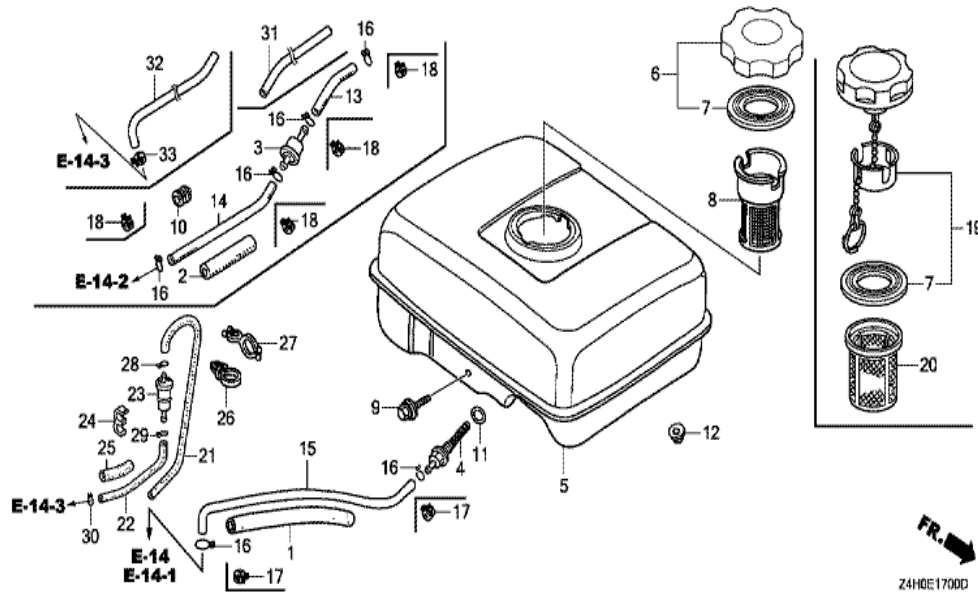
Ref	Partnumber	Description	GX120UT1	Serial Numbers
001	16010-ZB1-015	GASKET SET	1	
002	16011-ZE0-005	VALVE SET, FLOAT	1	
003	16013-ZOS-B01	FLOAT SET	1	
004	16015-ZE1-811	CHAMBER SET, FLOAT	1	
005	16016-ZH7-W01	SCREW SET, PILOT	1	
006	16024-ZE1-811	SCREW SET, DRAIN	1	
007	16028-ZE0-005	SCREW SET	1	
008	16044-ZE0-005	CHOKE SET	1	
009	16100-Z4H-U31	CARBURETOR ASSY. (BE62H A)	1	
010	16124-ZE0-005	SCREW, THROTTLE STOP	1	
011	16166-ZH7-A50	NOZZLE, MAIN	1	
012	16211-ZE0-000	INSULATOR, CARBURETOR	1	
013	16212-ZH7-800	PACKING, INSULATOR	1	
Ref	Partnumber	Description	GX120UT1	Serial Numbers
014	16220-ZE1-020	SPACER COMP., CARBURETOR	1	
015	16221-ZH8-801	PACKING, CARBURETOR	1	
016	16610-ZE1-000	LEVER COMP., CHOKE (STD.)	1	
019	94305-20122	PIN, SPRING, 2X12	1	
021	99101-ZH80580	JET, MAIN, #58	(1)	
021	99101-ZH80600	JET, MAIN, #60	(1)	
021	99101-ZH80620	JET, MAIN, #62	1	
022	99204-ZE00350	JET SET, PILOT, #35	1	
023	16141-ZOS-003	WASHER, PLAIN (6.2X10.7 DRAIN)	1	
023	16141-ZOS-003	WASHER, PLAIN (6.2X10.7 DRAIN)	1	



Ref	Partnumber	Description	GX120UT1	Serial Numbers
001	16106-KW7-900	CLIP B, TUBE	1	
008	17238-ZE7-010	COLLAR, AIR CLEANER	2	
009	17239-ZE1-000	COLLAR B, AIR CLEANER	1	
012	17410-ZE1-P30	ELBOW COMP., AIR CLEANER	1	
014	94050-06000	NUT, FLANGE, 6MM	2	
016	95701-0602000	BOLT, FLANGE, 6X20	1	



<u>Ref</u>	<u>Partnumber</u>	<u>Description</u>	<u>GX120UT1</u>	<u>Serial Numbers</u>
001	18310-ZH8-810	MUFFLER COMP. (ARRESTER)	(1)	
001	18310-ZH8-810	MUFFLER COMP. (ARRESTER)	(1)	
002	18310-ZK7-V01	MUFFLER COMP.	1	
002	18310-ZK7-V01	MUFFLER COMP.	1	
003	18338-ZK7-V01	STAY COMP., MUFFLER	1	
004	18355-ZE1-000	ARRESTER, SPARK	(1)	
005	18381-Z0T-801	GASKET, MUFFLER	1	
006	90055-ZE1-000	SCREW, TAPPING, 4X6	(1)	
007	94001-080000S	NUT, HEX., 8MM	2	
008	94050-06000	NUT, FLANGE, 6MM	4	
009	94103-08700	WASHER, PLAIN, 8MM	2	
010	95701-0601600	BOLT, FLANGE, 6X16	2	
011	95701-0602500	BOLT, FLANGE, 6X25	1	
<u>Ref</u>	<u>Partnumber</u>	<u>Description</u>	<u>GX120UT1</u>	<u>Serial Numbers</u>
012	95701-0802000	BOLT, FLANGE, 8X20	2	



Z4H0E1700D

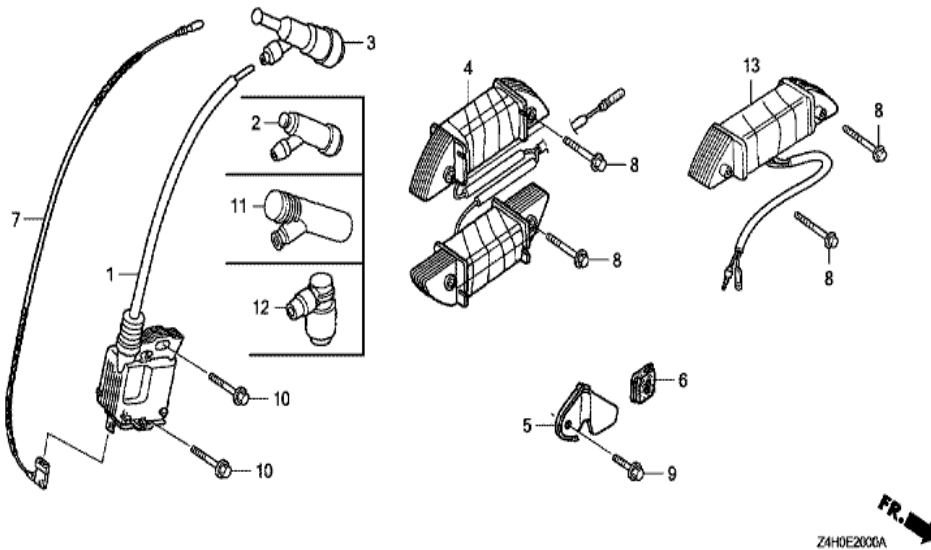
Ref	Partnumber	Description	GX120UT1	Serial Numbers
002	35376-ZV5-830	TUBE, POWER TRIM-TILT SWITCH CORD (50MM)	1	
002	35376-ZV5-830	TUBE, POWER TRIM-TILT SWITCH CORD (50MM)	1	
003	16910-GB2-005	STRAINER COMP., FUEL	1	
013	91424-Z4G-841	TUBE, FUEL, 4.5X75 (FKM)	1	
013	91424-Z4G-841	TUBE, FUEL, 4.5X75 (FKM)	1	
014	91424-Z4G-851	TUBE, FUEL, 4.5X350 (FKM)	1	
014	91424-Z4G-851	TUBE, FUEL, 4.5X350 (FKM)	1	
018	95002-4080008	CLAMP, TUBE (D8)	2	
018	95002-4080008	CLAMP, TUBE (D8)	4	1038090
021	16198-ZG0-U00	TUBE A, AIR VENT	1	
022	16199-ZK7-S50	TUBE	1	
022	16199-ZK7-S50	TUBE	1	
023	16910-ZG0-U02	STRAINER COMP., FUEL	1	
Ref	Partnumber	Description	GX120UT1	Serial Numbers
024	17205-PC6-000	CLAMP, TUBE, 7.5X2	1	
024	17205-PC6-000	CLAMP, TUBE, 7.5X2	1	
025	35376-ZV5-830	TUBE, POWER TRIM-TILT SWITCH CORD (50MM)	1	
026	90617-SA0-003	CLIP, WIRE HARNESS	1	
028	95002-02080	CLIP, TUBE (B8)	1	
029	95002-02100	CLIP, TUBE (B10)	1	
030	95002-50000	CLIP, TUBE (C9)	1	
032	91424-Z4G-851	TUBE, FUEL, 4.5X350 (FKM)	1	
033	95002-4080008	CLAMP, TUBE (D8)	1	



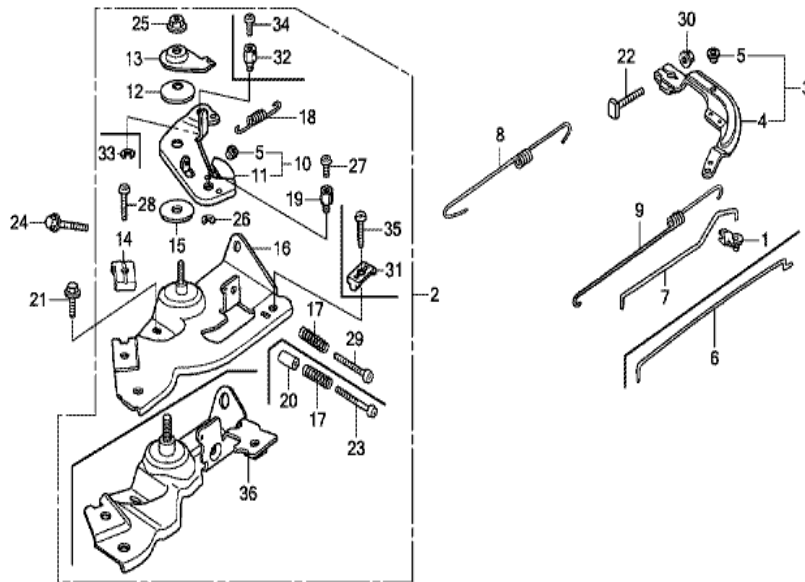
Ref	Partnumber	Description	GX120UT1	Serial Numbers
001	13331-357-000	KEY, SPECIAL WOODRUFF, 25X18	1	
002	19511-ZE0-000	FAN, COOLING	1	
004	28451-ZH7-801	PULLEY, STARTER	1	
005	31100-ZE0-020	FLYWHEEL COMP.	1	
007	90201-ZOT-800	NUT, SPECIAL, 14MM	1	



Ref	Partnumber	Description	GX120UT1	Serial Numbers
001	12204-ZE1-306	GUIDE, IN. VALVE (OS)	1	
002	12205-ZE1-315	GUIDE, EX. VALVE (OS)	1	
003	12210-ZH7-415	HEAD COMP., CYLINDER	1	
003	12210-ZH7-415	HEAD COMP., CYLINDER	1	
004	12216-ZE5-300	CLIP, VALVE GUIDE	1	
005	12251-Z0S-801	GASKET, CYLINDER HEAD (THAI LEAKLESS)	1	
005	12251-Z0S-801	GASKET, CYLINDER HEAD (THAI LEAKLESS)	1	1060774
006	12310-ZE1-020	COVER COMP., HEAD	1	
006	12310-ZE1-020	COVER COMP., HEAD	1	
007	12391-ZE1-000	PACKING, HEAD COVER	1	
008	15721-ZH8-000	TUBE, BREATHER	1	
010	90013-883-000	BOLT, FLANGE, 6X12 (CT200)	4	
011	90043-ZE1-020	BOLT, STUD, 6X112	2	
<u>Ref</u>	<u>Partnumber</u>	<u>Description</u>	<u>GX120UT1</u>	<u>Serial Numbers</u>
011	90043-ZE1-020	BOLT, STUD, 6X112	2	
011	90043-ZE1-020	BOLT, STUD, 6X112	2	
012	90047-ZE1-000	BOLT, STUD, 8X32	2	
013	94301-10160	DOWEL PIN, 10X16	2	
014	95701-0805500	BOLT, FLANGE, 8X55	4	
014	95701-0805500	BOLT, FLANGE, 8X55	4	1170369
015	98079-54846	PLUG, SPARK (BPR4ES) (NGK)	1	
015	98079-54855	PLUG, SPARK (W14EPR-U) (DENSO)	1	
015	98079-54855	PLUG, SPARK (W14EPR-U) (DENSO)	1	

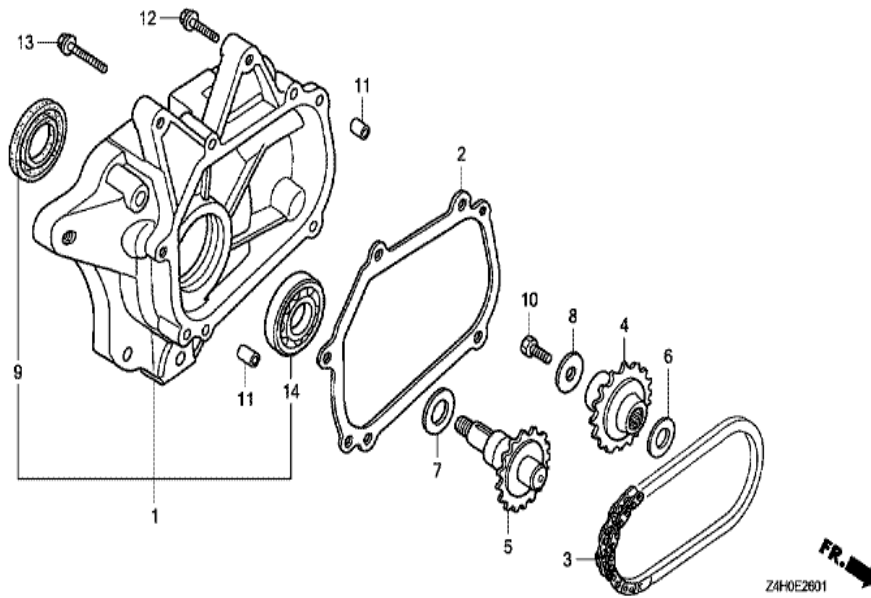


Ref	Partnumber	Description	GX120UT1	Serial Numbers
001	30500-Z0T-802	COIL ASSY., IGNITION (TEC)	1	
001	30500-Z0T-802	COIL ASSY., IGNITION (TEC)	1	
007	36101-ZE1-010	CORD, STOP SWITCH (370MM)	1	
007	36101-ZE1-010	CORD, STOP SWITCH (370MM)	1	
010	90121-952-000	BOLT, FLANGE, 6X25 (CT200)	2	
012	30700-ZJ1-841	CAP ASSY., NOISE SUPPRESSOR	1	

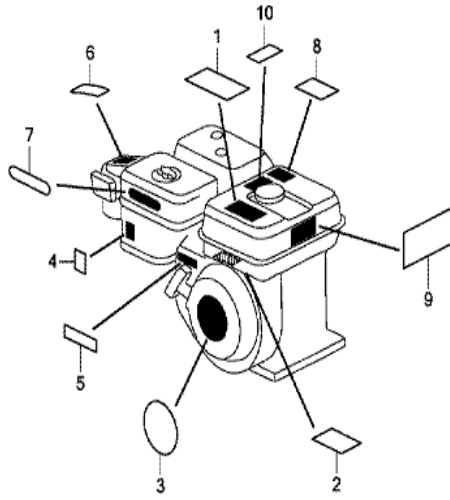


FR. →
Z4H0E2202A

Ref	Partnumber	Description	GX120UT1	Serial Numbers
001	16263-883-W10	JOINT, ROD	1	
002	16500-ZK7-S50	CONTROL ASSY.	1	
002	16500-ZK7-S50	CONTROL ASSY.	1	
002	16500-ZK7-S50	CONTROL ASSY.	1	
003	16550-ZK7-S50	ARM COMP., GOVERNOR	1	
005	16552-896-650	COLLAR, LEVER	1	
005	16552-896-650	COLLAR, LEVER	2	
007	16555-ZK7-S30	ROD, GOVERNOR	1	
008	16561-ZK7-S50	SPRING, GOVERNOR	1	
008	16561-ZK7-S50	SPRING, GOVERNOR	1	
009	16562-ZE0-020	SPRING, THROTTLE RETURN	1	
009	16562-ZE0-020	SPRING, THROTTLE RETURN	1	
010	16570-ZK7-S50	LEVER COMP., CONTROL	1	
Ref	Partnumber	Description	GX120UT1	Serial Numbers
012	16574-ZE1-000	SPRING, LEVER	1	
013	16575-ZH8-000	WASHER, CONTROL LEVER	1	
014	16576-891-000	HOLDER, CABLE	1	
015	16578-ZE1-000	SPACER, CONTROL LEVER	1	
016	16580-ZH7-810	BASE COMP., CONTROL (###)	1	
017	16584-883-300	SPRING, CONTROL ADJUSTING	1	
018	16592-ZE1-810	SPRING, CABLE RETURN	1	
019	16594-883-010	HOLDER, WIRE	1	
021	90013-883-000	BOLT, FLANGE, 6X12 (CT200)	1	
022	90015-ZE5-010	BOLT, GOVERNOR ARM	1	
024	90022-888-010	BOLT, FLANGE, 6X20 (CT200)	1	
025	90114-SA0-000	NUT, SELF-LOCK, 6MM	1	
026	90605-230-000	CIRCLIP, 5MM	1	
027	93500-040060H	SCREW, PAN, 4X6	1	
028	93500-050160A	SCREW, PAN, 5X16	1	
029	93500-050250H	SCREW, PAN, 5X25	1	
030	94050-06000	NUT, FLANGE, 6MM	1	

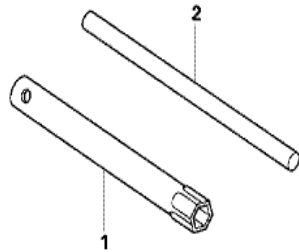


<u>Ref</u>	<u>Partnumber</u>	<u>Description</u>	<u>GX120UT1</u>	<u>Serial Numbers</u>
001	11500-ZK7-V00	COVER ASSY., CHAIN CASE	1	
002	11521-ZK7-V00	PACKING, CHAIN CASE COVER	1	
003	14411-ZK7-V01	CHAIN, P.T.O. DRIVE	1	
004	23121-ZK7-V00	SPROCKET, DRIVE (17T)	1	
005	23151-ZK7-V00	SHAFT, P.T.O. (16T)	1	
006	90454-428-000	WASHER, THRUST, 20MM	1	
007	90456-ZE1-000	SPRING, THRUST	1	
008	90471-ZE1-610	WASHER, 8MM	1	
009	91252-888-003	OIL SEAL, 25X38X7 (ARAI)	1	
010	92101-080250A	BOLT, HEX., 8X25	1	
011	94303-08140	DOWEL PIN, 8X14	2	
012	95701-0803500	BOLT, FLANGE, 8X35	4	
013	95701-0805500	BOLT, FLANGE, 8X55	1	
<u>Ref</u>	<u>Partnumber</u>	<u>Description</u>	<u>GX120UT1</u>	<u>Serial Numbers</u>
014	96100-6005000	BEARING, RADIAL BALL, 6005	1	



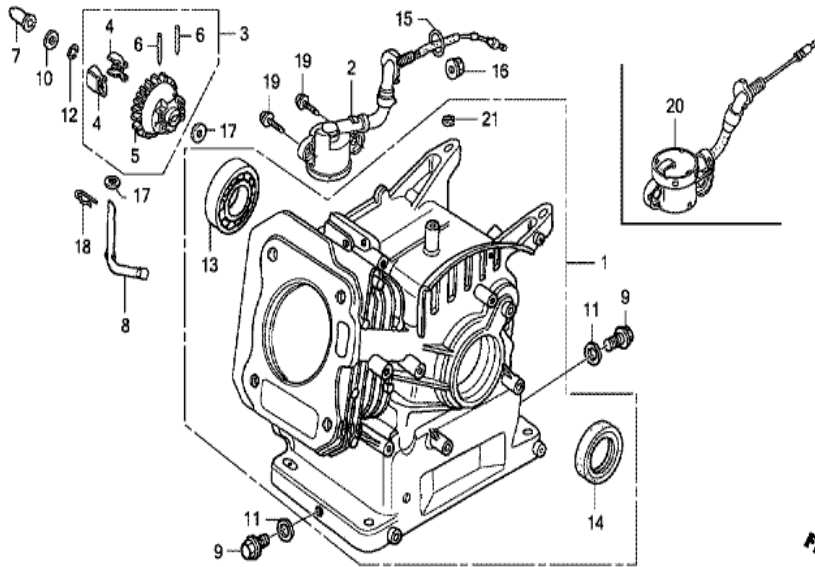
Z4H0E2800C

Ref	Partnumber	Description	GX120UT1	Serial Numbers
003	87521-ZH7-040	EMBLEM (GX120)	1	
003	87521-ZH7-040	EMBLEM (GX120)	1	



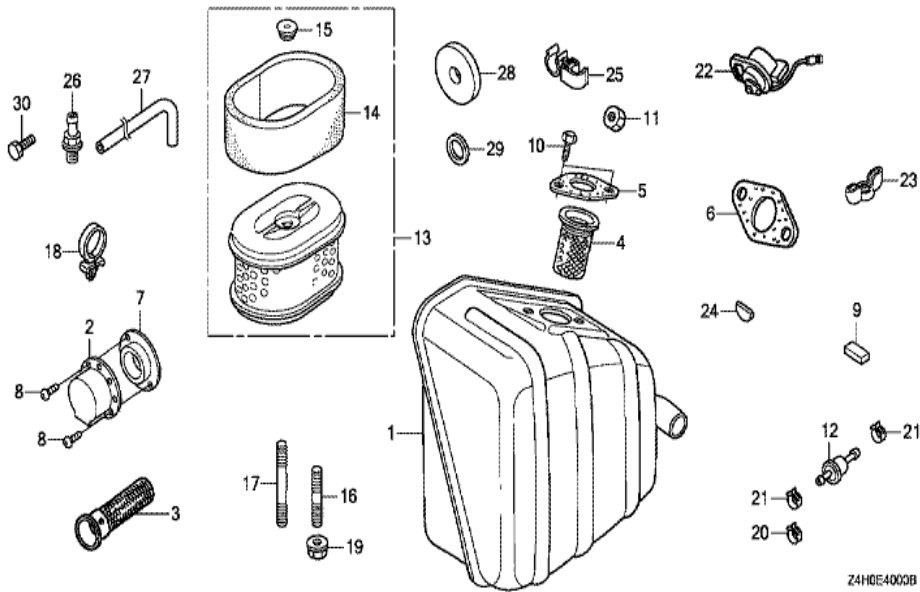
Z4H0-E2900

<u>Ref</u>	<u>Partnumber</u>	<u>Description</u>	<u>GX120UT1</u>	<u>Serial Numbers</u>
001	89216-ZOT-800	WRENCH, SPARK PLUG	1	



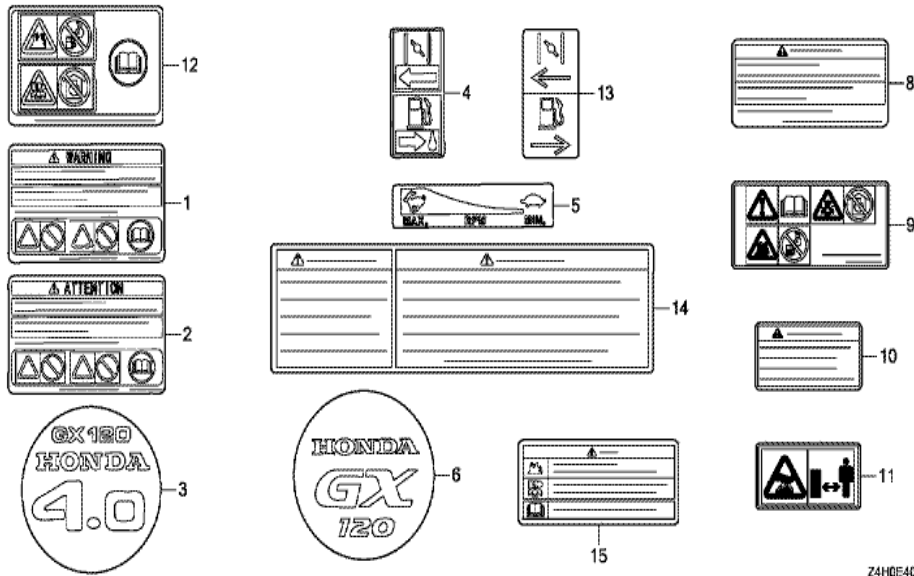
Z4H0E0300B

<u>Ref</u>	<u>Partnumber</u>	<u>Description</u>	<u>GX120UT1</u>	<u>Serial Numbers</u>
001	12000-Z4H-405	BARREL ASSY., CYLINDER	1	
001	12000-Z4H-405	BARREL ASSY., CYLINDER	1	
003	16510-ZE1-000	GOVERNOR ASSY.	1	
004	16511-ZE1-000	WEIGHT, GOVERNOR	2	
005	16512-ZE1-000	HOLDER, GOVERNOR WEIGHT	1	
006	16513-ZE1-000	PIN, GOVERNOR WEIGHT	2	
007	16531-ZE1-000	SLIDER, GOVERNOR	1	
008	16541-ZE1-000	SHAFT, GOVERNOR ARM	1	
009	90131-ZE1-000	BOLT, DRAIN PLUG	2	
010	90451-ZE1-000	WASHER, THRUST, 6MM	1	
011	90601-ZE1-000	WASHER, DRAIN PLUG, 10.2MM	2	
012	90602-ZE1-000	CLIP, GOVERNOR HOLDER	1	
013	91001-878-003	BEARING, RADIAL BALL,	1	
<u>Ref</u>	<u>Partnumber</u>	<u>Description</u>	<u>GX120UT1</u>	<u>Serial Numbers</u>
014	91202-ZE6-013	OIL SEAL, 22X35X6	1	
017	94101-06800	WASHER, PLAIN, 6MM	2	
018	94251-08000	PIN, LOCK, 8MM	1	
021	91231-891-003	OIL SEAL, 6X11X4 (ARAI)	1	



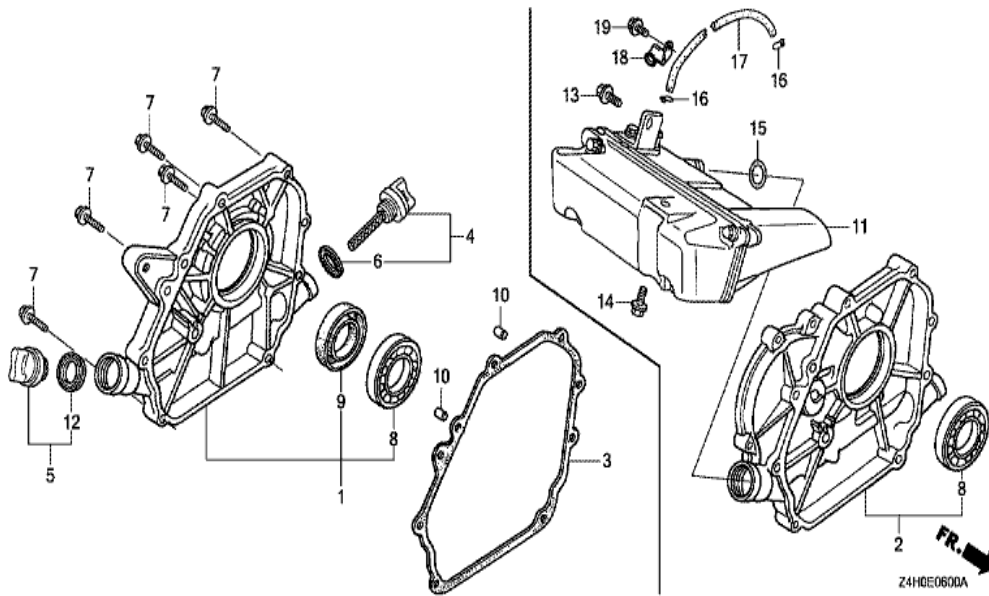
Z4H0E4000B

Ref	Partnumber	Description	GX120UT1	Serial Numbers
013	17210-ZE1-822	ELEMENT, AIR CLEANER (DUAL)	1	
014	17218-ZE1-821	FILTER, OUTER	1	
015	17232-891-000	GROMMET, AIR CLEANER	1	
016	90001-ZK7-V00	BOLT, STUD, 10X32	3	
017	90002-ZK7-V00	BOLT, STUD, 10X60	1	
019	94050-10000	NUT, FLANGE, 10MM	4	
020	95002-4080008	CLAMP, TUBE (D8)	1	



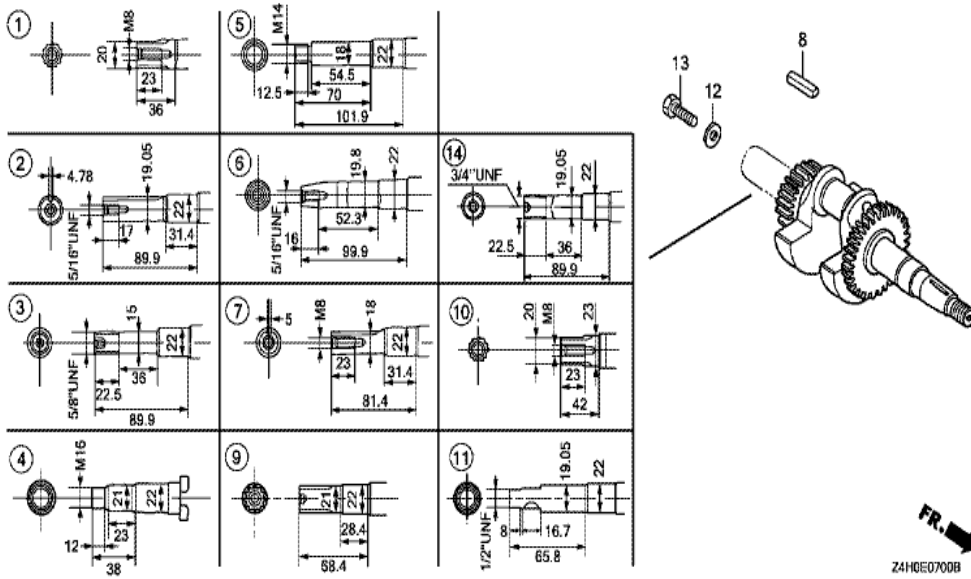
Z4H0E4001D

Ref	Partnumber	Description	GX120UT1	Serial Numbers
001	87516-Z4H-000	MARK, OPERATOR CAUTION (ENGLISH) (MADE I	1	1279267
001	87516-Z4H-000	MARK, OPERATOR CAUTION (ENGLISH) (MADE I	1	1279267
001	87516-ZH7-810	MARK, OPERATOR CAUTION (PICTOGRAPH) (MAD	(1)	
002	87516-Z4H-800	MARK, OPERATOR CAUTION (FRENCH) (MADE IN	1	1279267
002	87516-Z4H-800	MARK, OPERATOR CAUTION (FRENCH) (MADE IN	1	1279267
004	87528-ZH7-000	MARK, CHOKE (GRAY)	1	
008	87516-Z4H-010	MARK, OPERATOR CAUTION (ENGLISH) (MADE I	1	1279268
008	87516-Z4H-010	MARK, OPERATOR CAUTION (ENGLISH) (MADE I	1	1279268
008	87516-Z4H-801	MARK, OPERATOR CAUTION (FRENCH) (MADE IN	1	1279268
012	87516-ZH7-810	MARK, OPERATOR CAUTION (PICTOGRAPH) (MAD	(1)	

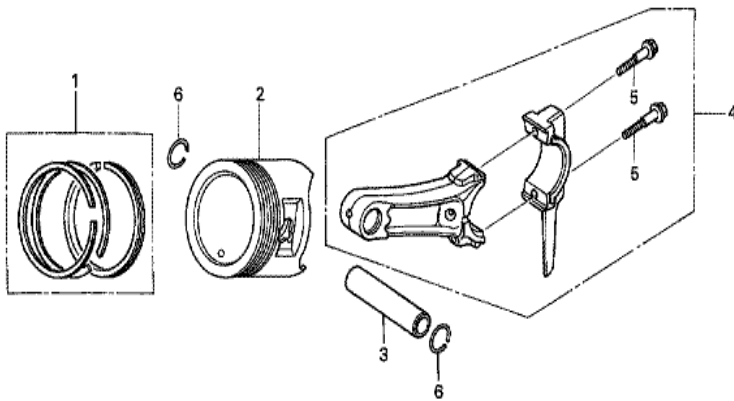


Z4H0E0600A

<u>Ref</u>	<u>Partnumber</u>	<u>Description</u>	<u>GX120UT1</u>	<u>Serial Numbers</u>
002	11300-ZK7-V00	COVER ASSY., CRANKCASE	1	
002	11300-ZK7-V00	COVER ASSY., CRANKCASE	1	
003	11381-ZK7-V00	PACKING, CASE COVER	1	
003	11381-ZK7-V00	PACKING, CASE COVER	1	
004	15600-ZOT-810	CAP ASSY., OIL FILLER (GAUGE) (GRAY)	1	
006	15625-ZOT-800	PACKING, OIL FILLER CAP	1	
006	15625-ZOT-800	PACKING, OIL FILLER CAP	1	
007	90015-883-000	BOLT, FLANGE, 6X28 (CT200)	7	
008	91001-878-003	BEARING, RADIAL BALL,	1	
010	94303-08140	DOWEL PIN, 8X14	2	
010	94303-08140	DOWEL PIN, 8X14	2	
011	15500-ZK7-V00	TANK ASSY., OIL	1	
013	90014-952-000	BOLT, FLANGE, 6X14 (CT200)	1	
<u>Ref</u>	<u>Partnumber</u>	<u>Description</u>	<u>GX120UT1</u>	<u>Serial Numbers</u>
014	90029-888-000	BOLT, FLANGE, 6X16 (CT200)	1	
015	91304-MJ0-003	O-RING, 15.8X2.4 (SHOWA)	1	
016	95002-02070	CLIP, TUBE (B7)	2	
017	95005-3515010	TUBE, 3.5X150 (95005-35001-10M)	1	



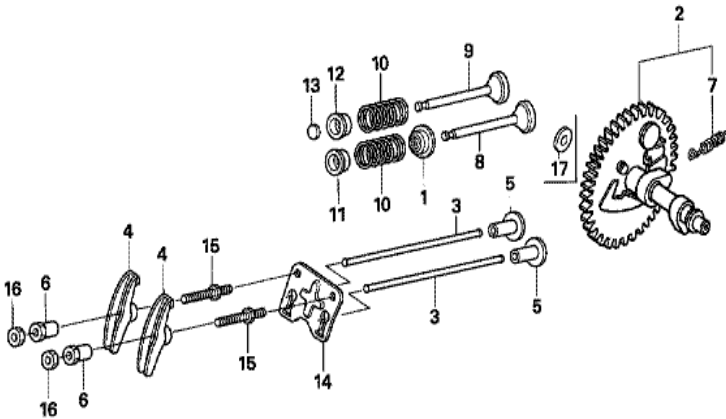
Ref	Partnumber	Description	GX120UT1	Serial Numbers
010	13310-Z4H-V00	CRANKSHAFT COMP.	1	



Z4F0-E0800



<u>Ref</u>	<u>Partnumber</u>	<u>Description</u>	<u>GX120UT1</u>	<u>Serial Numbers</u>
001	13010-Z4F-004	RING SET, PISTON (STD.) (TEIKOKU)	1	
001	13010-Z4F-004	RING SET, PISTON (STD.) (TEIKOKU)	1	1117623
001	13011-Z4F-004	RING SET, PISTON (0.25) (TEIKOKU)	(1)	1120059
001	13011-Z4F-004	RING SET, PISTON (0.25) (TEIKOKU)	(1)	
001	13011-Z4F-004	RING SET, PISTON (0.25) (TEIKOKU)	(1)	1117623
001	13012-Z4F-004	RING SET, PISTON (0.50) (TEIKOKU)	(1)	1120059
001	13012-Z4F-004	RING SET, PISTON (0.50) (TEIKOKU)	(1)	
001	13012-Z4F-004	RING SET, PISTON (0.50) (TEIKOKU)	(1)	1117623
001	13013-Z4F-004	RING SET, PISTON (0.75) (TEIKOKU)	(1)	1120059
001	13013-Z4F-004	RING SET, PISTON (0.75) (TEIKOKU)	(1)	
001	13013-Z4F-004	RING SET, PISTON (0.75) (TEIKOKU)	(1)	1117623
002	13101-ZH7-020	PISTON (STD.)	1	
002	13101-ZH7-020	PISTON (STD.)	1	1141324
<u>Ref</u>	<u>Partnumber</u>	<u>Description</u>	<u>GX120UT1</u>	<u>Serial Numbers</u>
002	13102-ZH7-020	PISTON (0.25)	(1)	1141324
002	13102-ZH7-020	PISTON (0.25)	(1)	
002	13102-ZH7-020	PISTON (0.25)	(1)	
002	13103-ZH7-020	PISTON (0.50)	(1)	
002	13103-ZH7-020	PISTON (0.50)	(1)	
002	13103-ZH7-020	PISTON (0.50)	(1)	
002	13104-ZH7-020	PISTON (0.75)	(1)	1141324
002	13104-ZH7-020	PISTON (0.75)	(1)	
002	13104-ZH7-020	PISTON (0.75)	(1)	
003	13111-ZE0-000	PIN, PISTON	1	
004	13200-ZOS-800	ROD ASSY., CONNECTING	1	
005	90001-ZE1-000	BOLT, CONNECTING ROD	2	
006	90551-ZE0-000	CLIP, PISTON PIN, 13MM	2	



Z4HD-E0900A



<u>Ref</u>	<u>Partnumber</u>	<u>Description</u>	<u>GX120UT1</u>	<u>Serial Numbers</u>
001	12209-ZH8-003	SEAL, VALVE STEM	1	
001	12209-ZH8-003	SEAL, VALVE STEM	1	
002	14100-ZH7-B20	CAMSHAFT ASSY.	1	
002	14100-ZH7-B20	CAMSHAFT ASSY.	1	
003	14410-ZE0-010	ROD, PUSH	2	
004	14431-ZE1-000	ARM, VALVE ROCKER	2	
005	14441-ZE1-010	LIFTER, VALVE	2	
006	14451-ZE1-013	PIVOT, ROCKER ARM	2	
006	14451-ZE1-013	PIVOT, ROCKER ARM	2	
007	14568-ZE1-000	SPRING, WEIGHT RETURN	1	
008	14711-ZF0-010	VALVE, IN.	1	
008	14711-ZF0-010	VALVE, IN.	1	
009	14721-ZF0-000	VALVE, EX.	1	
<u>Ref</u>	<u>Partnumber</u>	<u>Description</u>	<u>GX120UT1</u>	<u>Serial Numbers</u>
009	14721-ZF0-000	VALVE, EX.	1	
010	14751-ZF1-000	SPRING, VALVE	2	
011	14771-ZE1-000	RETAINER, IN. VALVE SPRING	1	
011	14771-ZE1-000	RETAINER, IN. VALVE SPRING	1	
012	14773-Z4X-000	RETAINER, EX. VALVE SPRING	1	
012	14773-Z4X-000	RETAINER, EX. VALVE SPRING	1	
012	14773-Z4X-000	RETAINER, EX. VALVE SPRING	1	
013	14781-ZE1-000	ROTATOR, VALVE	1	
014	14791-ZE0-010	PLATE, PUSH ROD GUIDE	1	
015	90012-ZE0-010	BOLT, PIVOT, 8MM	2	
016	90206-ZE1-000	NUT, PIVOT ADJUSTING	2	