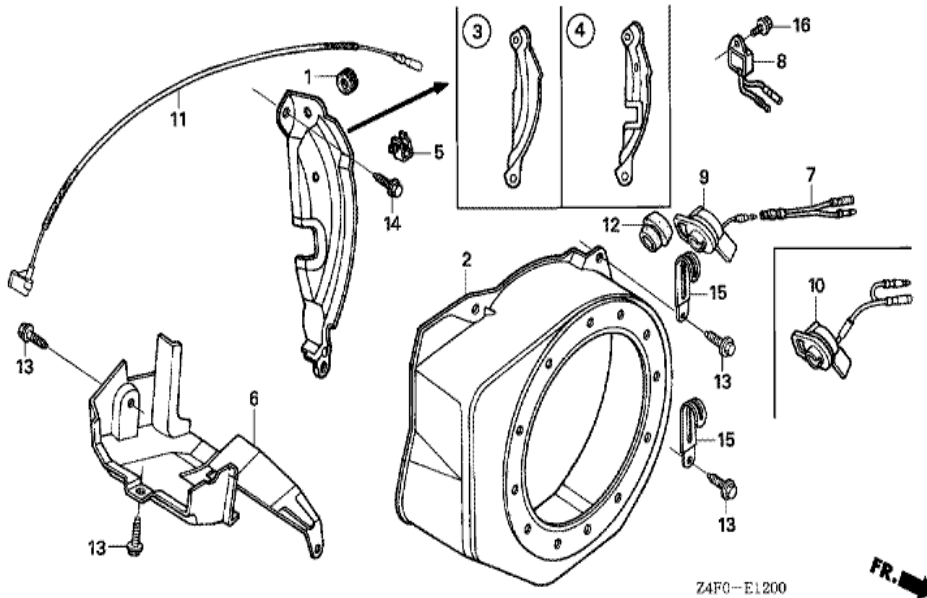




<u>Ref</u>	<u>Partnumber</u>	<u>Description</u>	<u>GX120U1</u>	<u>Serial Numbers</u>
001	28400-ZH8-023YA	STARTER ASSY., RECOIL *R280 *	1	
001	28400-ZH8-023YA	STARTER ASSY., RECOIL *R280 *	1	
002	28410-ZH8-003YA	CASE COMP., RECOIL STARTER *R280 *	1	
003	28421-ZH8-801	REEL, RECOIL STARTER (BLACK)	1	
003	28421-ZH8-801	REEL, RECOIL STARTER (BLACK)	1	
004	28422-ZH8-801	RATCHET, STARTER	2	
005	28431-ZH8-801	PLATE, FRICTION	1	
006	28433-ZH8-801	GUIDE, RATCHET	1	
007	28441-ZH8-801	SPRING, FRICTION	1	
008	28442-ZH8-003	SPRING, RECOIL STARTER	1	
009	28443-ZH8-801	SPRING, RETURN	2	
010	28461-ZH8-003	GRIP, STARTER	1	
011	28462-ZH8-003	ROPE, RECOIL STARTER	1	
<u>Ref</u>	<u>Partnumber</u>	<u>Description</u>	<u>GX120U1</u>	<u>Serial Numbers</u>
012	90003-ZH8-801	SCREW, SETTING	1	
013	90008-ZE2-003	BOLT, FLANGE, 6X10	3	



Z4FC-E1200

FR. →

Ref	Partnumber	Description	GX120U1	Serial Numbers
001	11347-371-300	GROMMET, ADJUSTING COVER	1	
002	19610-ZE0-000ZS	COVER COMP., FAN *R280 *	1	
002	19610-ZE0-000ZS	COVER COMP., FAN *R280 *	1	
004	19612-ZH7-821	PLATE, SIDE (LAMP)	1	
004	19612-ZH7-821	PLATE, SIDE (LAMP)	1	
006	19630-ZH7-000	SHROUD COMP.	1	
009	35120-Z0D-V81	SWITCH ASSY., ENGINE STOP	1	
011	36101-ZE1-010	CORD, STOP SWITCH (370MM)	1	
013	90013-883-000	BOLT, FLANGE, 6X12 (CT200)	4	
013	90013-883-000	BOLT, FLANGE, 6X12 (CT200)	6	
014	90022-888-010	BOLT, FLANGE, 6X20 (CT200)	1	

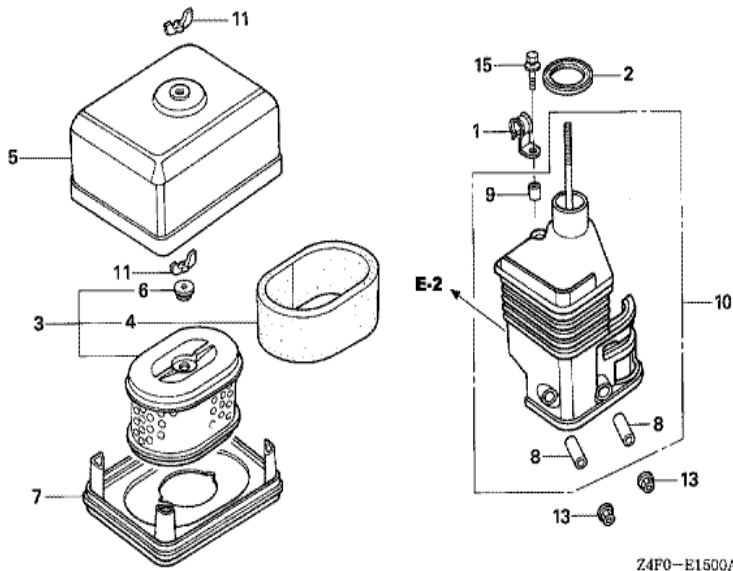


Z4FQ-E1400A

FR. →

Ref	Partnumber	Description	GX120U1	Serial Numbers
001	16010-ZE1-812	GASKET SET	1	
001	16010-ZE1-812	GASKET SET	1	
002	16011-ZE0-005	VALVE SET, FLOAT	1	
003	16013-ZE0-005	FLOAT SET	1	
004	16015-ZE0-831	CHAMBER SET, FLOAT	1	
005	16016-ZH7-W01	SCREW SET, PILOT	1	
006	16024-ZE1-811	SCREW SET, DRAIN	1	
007	16028-ZE0-005	SCREW SET	1	
008	16044-ZE0-005	CHOKE SET	1	
009	16100-ZH7-W51	CARBURETOR ASSY. (BE60B B)	1	
009	16100-ZH7-W51	CARBURETOR ASSY. (BE60B B)	1	
010	16124-ZE0-005	SCREW, THROTTLE STOP	1	
011	16166-ZH7-W50	NOZZLE, MAIN	1	

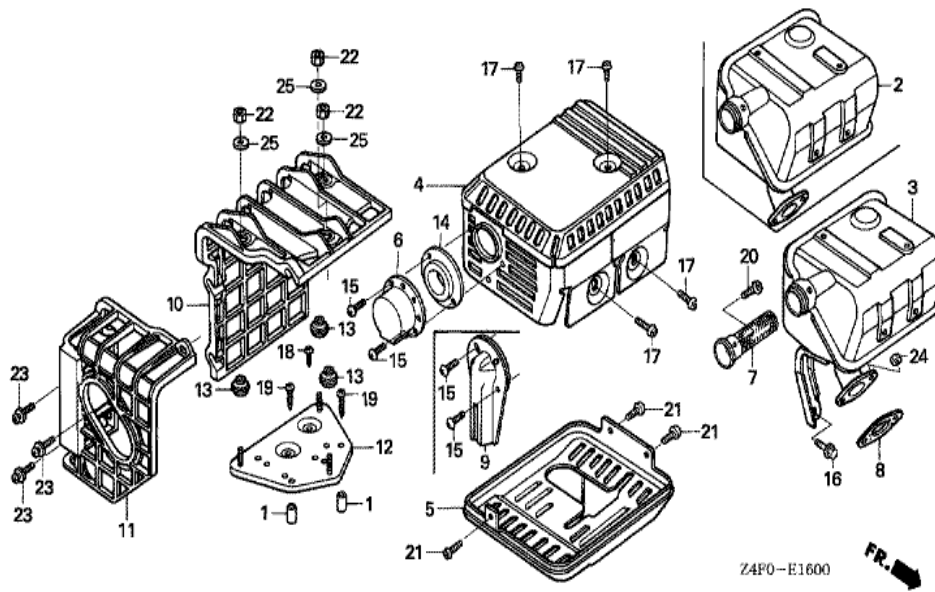
<u>Ref</u>	<u>Partnumber</u>	<u>Description</u>	<u>GX120U1</u>	<u>Serial Numbers</u>
011	16166-ZH7-W50	NOZZLE, MAIN	1	
012	16173-001-004	PACKING, FUEL STRAINER CUP	1	
013	16211-ZE0-000	INSULATOR, CARBURETOR	1	
014	16212-ZH7-800	PACKING, INSULATOR	1	
015	16220-ZE1-020	SPACER COMP., CARBURETOR	1	
016	16221-ZH8-801	PACKING, CARBURETOR	1	
019	16610-ZE1-000	LEVER COMP., CHOKE (STD.)	1	
022	16953-ZE1-812	LEVER, COCK	1	
023	16954-ZE1-812	PLATE, LEVER SETTING	1	
024	16956-ZE1-811	SPRING, COCK LEVER	1	
025	16957-ZE1-812	PACKING, FUEL COCK	1	
026	16967-ZE0-811	CUP, FUEL STRAINER	1	
028	93500-030061H	SCREW, PAN, 3X6	2	
031	94305-20122	PIN, SPRING, 2X12	1	
032	99101-ZH80550	JET, MAIN, #55	(1)	
032	99101-ZH80580	JET, MAIN, #58	(1)	
032	99101-ZH80580	JET, MAIN, #58	(1)	
032	99101-ZH80600	JET, MAIN, #60	(1)	
032	99101-ZH80600	JET, MAIN, #60	1	
033	99204-ZE00350	JET SET, PILOT, #35	1	



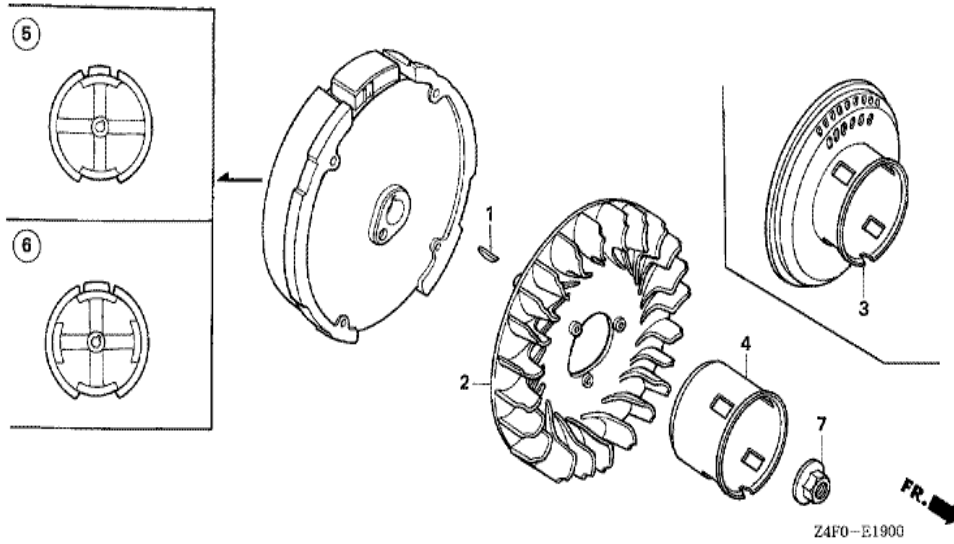
Z4F0-E1500A

FR. →

Ref	Partnumber	Description	GX120U1	Serial Numbers
002	16271-ZE1-000	PACKING, ELBOW	1	
003	17210-ZE0-822	ELEMENT, AIR CLEANER (DUAL)	1	
004	17218-ZE0-821	FILTER, OUTER	1	
005	17230-ZE0-820	COVER, AIR CLEANER (DUAL)	1	
006	17232-891-000	GROMMET, AIR CLEANER	1	
008	17238-ZE0-010	COLLAR, AIR CLEANER	2	
009	17239-ZE1-000	COLLAR B, AIR CLEANER	1	
010	17410-ZE0-030	ELBOW COMP., AIR CLEANER	1	
011	90325-044-000	NUT, TOOL BOX SETTING	2	
013	94050-06000	NUT, FLANGE, 6MM	2	
015	95701-0602000	BOLT, FLANGE, 6X20	1	

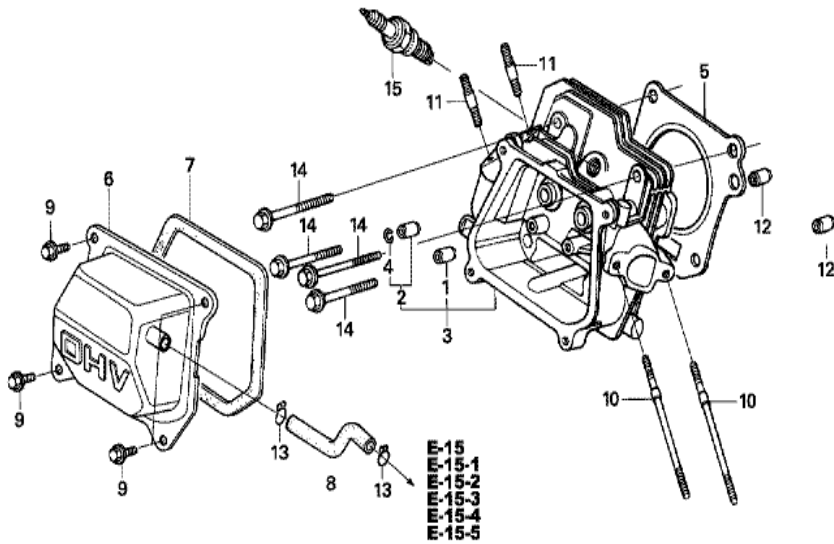


Ref	Partnumber	Description	GX120U1	Serial Numbers
002	18310-ZH8-810	MUFFLER COMP. (ARRESTER)	(1)	
002	18310-ZH8-810	MUFFLER COMP. (ARRESTER)	(1)	
007	18355-ZE1-000	ARRESTER, SPARK	1	
007	18355-ZE1-000	ARRESTER, SPARK	(1)	
008	18381-ZH8-800	GASKET, MUFFLER	1	
008	18381-ZH8-800	GASKET, MUFFLER	(1)	
020	90055-ZE1-000	SCREW, TAPPING, 4X6	1	
020	90055-ZE1-000	SCREW, TAPPING, 4X6	(1)	

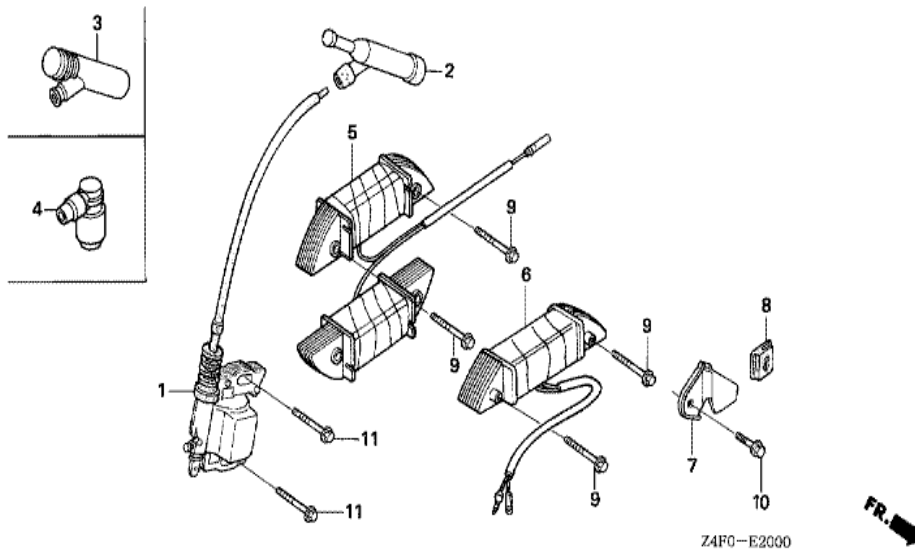


Z4F0-E1900

Ref	Partnumber	Description	GX120U1	Serial Numbers
001	13331-357-000	KEY, SPECIAL WOODRUFF, 25X18	1	
002	19511-ZE0-000	FAN, COOLING	1	
004	28451-ZH7-801	PULLEY, STARTER	1	
006	31100-ZE0-811	FLYWHEEL COMP. (LAMP)	1	1085092
006	31100-ZE0-812	FLYWHEEL COMP. (LAMP)	1	
006	31100-ZE0-812	FLYWHEEL COMP. (LAMP)	1	1085093
007	90201-878-003	NUT, SPECIAL, 14MM	1	



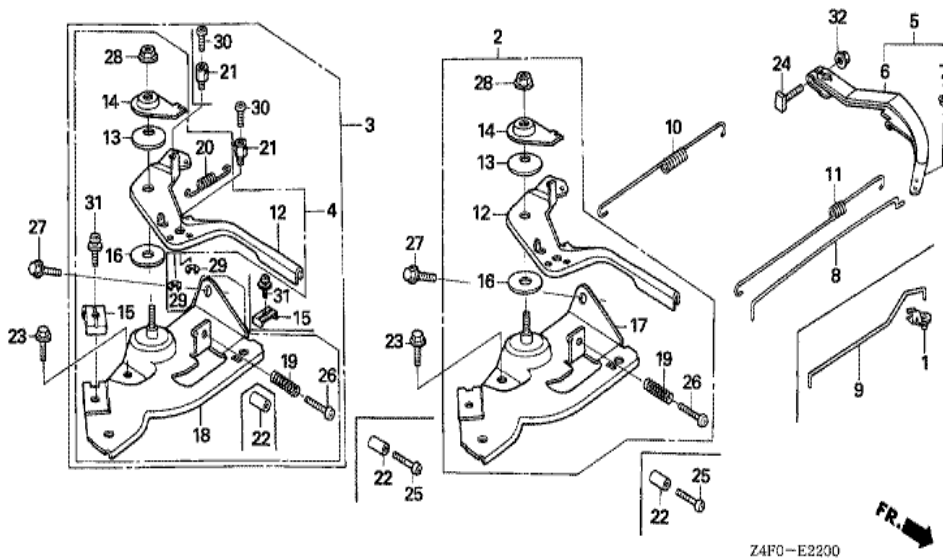
Ref	Partnumber	Description	GX120U1	Serial Numbers
001	12204-ZE1-306	GUIDE, IN. VALVE (OS)	(1)	
002	12205-ZE1-315	GUIDE, EX. VALVE (OS)	(1)	
003	12210-ZH7-405	HEAD COMP., CYLINDER	1	1046015
003	12210-ZH7-415	HEAD COMP., CYLINDER	1	
003	12210-ZH7-415	HEAD COMP., CYLINDER	1	1046016
004	12216-ZE5-300	CLIP, VALVE GUIDE	1	
005	12251-ZH7-800	GASKET, CYLINDER HEAD	1	
005	12251-ZH7-800	GASKET, CYLINDER HEAD	1	
006	12310-ZE1-020	COVER COMP., HEAD	1	
007	12391-ZE1-000	PACKING, HEAD COVER	1	
008	15721-ZH8-000	TUBE, BREATHER	1	
008	15721-ZH8-000	TUBE, BREATHER	1	
009	90013-883-000	BOLT, FLANGE, 6X12 (CT200)	4	
Ref	Partnumber	Description	GX120U1	Serial Numbers
010	90043-ZE1-020	BOLT, STUD, 6X112	2	
010	90043-ZE1-020	BOLT, STUD, 6X112	2	
011	90047-ZE1-000	BOLT, STUD, 8X32	2	
012	94301-10160	DOWEL PIN, 10X16	2	
014	95701-0805500	BOLT, FLANGE, 8X55	4	1049631
014	95723-0805500	BOLT, FLANGE, 8X55	4	1049630
014	95723-0805500	BOLT, FLANGE, 8X55	4	1049630
015	98079-55846	PLUG, SPARK (BPR5ES) (NGK)	(1)	
015	98079-55846	PLUG, SPARK (BPR5ES) (NGK)	(1)	
015	98079-55855	PLUG, SPARK (W16EPR-U) (DENSO)	(1)	
015	98079-55855	PLUG, SPARK (W16EPR-U) (DENSO)	(1)	
015	98079-56846	PLUG, SPARK (BPR6ES) (NGK)	1	
015	98079-56846	PLUG, SPARK (BPR6ES) (NGK)	1	
015	98079-56855	PLUG, SPARK (W20EPR-U) (DENSO)	1	
015	98079-56855	PLUG, SPARK (W20EPR-U) (DENSO)	1	



Z4F0-E2000

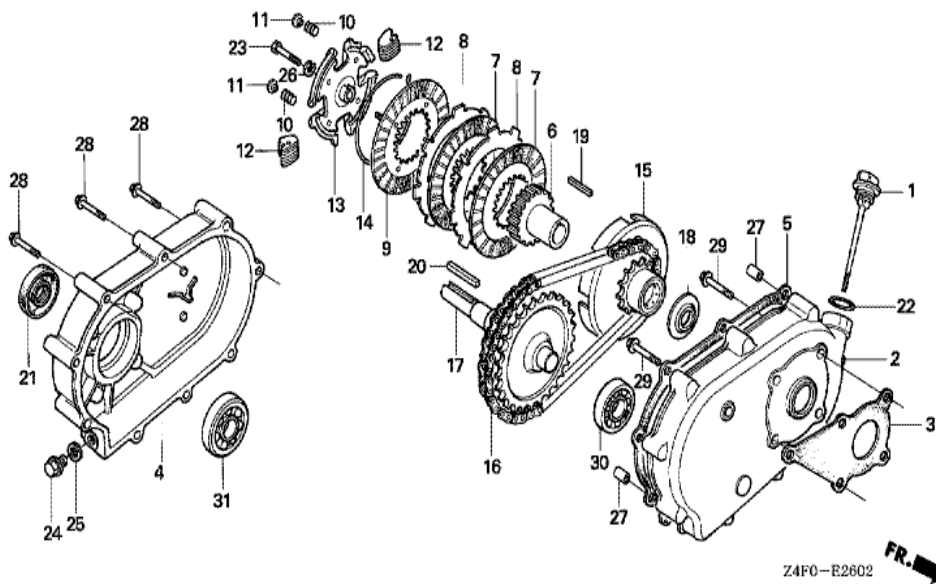
FR. →

Ref	Partnumber	Description	GX120U1	Serial Numbers
001	30500-ZE1-063	COIL ASSY., IGNITION	1	1103327
001	30500-ZE1-073	COIL ASSY., IGNITION	1	
001	30500-ZE1-073	COIL ASSY., IGNITION	1	1103328
002	30700-ZE1-013	CAP ASSY., NOISE SUPPRESSOR (NICHIIWA Y-E	1	
005	31510-ZE1-711	COIL ASSY., LAMP (12V/50W)	1	
007	31511-ZE1-000	CLAMPER, CORD	1	
008	31512-ZE1-000	GROMMET, CORD	1	
009	90015-883-000	BOLT, FLANGE, 6X28 (CT200)	2	
009	90015-883-000	BOLT, FLANGE, 6X28 (CT200)	4	
010	90019-883-000	BOLT, FLANGE, 5X10	1	
011	90121-952-000	BOLT, FLANGE, 6X25 (CT200)	2	

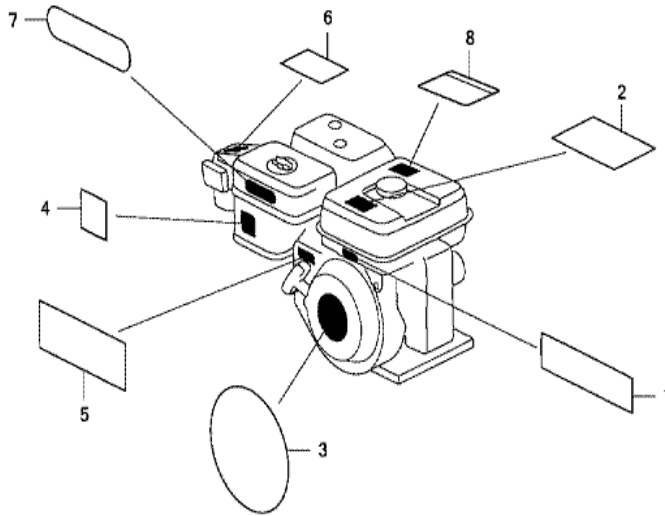


Z4F0-E2200

<u>Ref</u>	<u>Partnumber</u>	<u>Description</u>	<u>GX120U1</u>	<u>Serial Numbers</u>
004	16500-ZH7-820	CONTROL ASSY. (REMOTE)	1	
006	16551-ZE0-010	ARM, GOVERNOR	1	
008	16555-ZE0-000	ROD, GOVERNOR	1	
010	16561-ZE0-020	SPRING, GOVERNOR	1	
011	16562-ZE0-020	SPRING, THROTTLE RETURN	1	
012	16571-ZH7-000	LEVER, CONTROL	1	
012	16571-ZH7-000	LEVER, CONTROL	1	
013	16574-ZE1-000	SPRING, LEVER	1	
014	16575-ZH8-000	WASHER, CONTROL LEVER	1	
015	16576-891-000	HOLDER, CABLE	1	
016	16578-ZE1-000	SPACER, CONTROL LEVER	1	
018	16580-ZH7-810	BASE COMP., CONTROL (###)	1	
019	16584-883-300	SPRING, CONTROL ADJUSTING	1	
<u>Ref</u>	<u>Partnumber</u>	<u>Description</u>	<u>GX120U1</u>	<u>Serial Numbers</u>
020	16592-ZE1-810	SPRING, CABLE RETURN	1	
022	16599-ZG1-M10	COLLAR, STOPPER	1	
022	16599-ZG1-M10	COLLAR, STOPPER	(1)	
023	90013-883-000	BOLT, FLANGE, 6X12 (CT200)	1	
024	90015-ZE5-010	BOLT, GOVERNOR ARM	1	
025	90016-ZG9-N30	SCREW, RECESSED, 5X25	(1)	
026	93500-050250H	SCREW, PAN, 5X25	1	
026	93500-050250H	SCREW, PAN, 5X25	1	
027	90022-888-010	BOLT, FLANGE, 6X20 (CT200)	1	
028	90114-SA0-000	NUT, SELF-LOCK, 6MM	1	
031	93500-050160A	SCREW, PAN, 5X16	1	
032	94050-06000	NUT, FLANGE, 6MM	1	



<u>Ref</u>	<u>Partnumber</u>	<u>Description</u>	<u>GX120U1</u>	<u>Serial Numbers</u>
001	15600-ZH7-000	CAP ASSY., OIL FILLER	1	
002	21510-883-621	CASE, REDUCTION	1	
003	21591-ZH8-620	PACKING, REDUCTION CASE	1	
004	21610-822-611	COVER, REDUCTION	1	
005	21691-ZH8-800	PACKING, REDUCTION COVER	1	
006	22121-887-620	CENTER, CLUTCH (28T)	1	
007	22201-822-610	DISK, CLUTCH FRICTION	2	
008	22311-822-610	PLATE, CLUTCH	2	
009	22350-822-610	PLATE COMP., CLUTCH PRESSURE	1	
010	22411-822-611	SPRING, CLUTCH FREE	4	
011	22421-822-610	HOLDER, CLUTCH SPRING	4	
012	22521-822-610	WEIGHT, CLUTCH	48	
013	22531-887-620	HOLDER, CLUTCH WEIGHT	1	
<u>Ref</u>	<u>Partnumber</u>	<u>Description</u>	<u>GX120U1</u>	<u>Serial Numbers</u>
014	22535-822-610	CENTER, CLUTCH WEIGHT	1	
015	23120-883-620	SPROCKET COMP., DRIVE	1	
016	23161-822-611	CHAIN, DRIVE (RK428SH-36LE)	1	
017	23711-822-610	SHAFT COMP., P.T.O. (28T)	1	
018	90403-887-620	WASHER, THRUST, 18MM	1	
019	90741-883-621	KEY, 5MM	1	
020	90741-889-810	KEY, 7X7X33 (YELLOW) (O.S.)	1	
021	91202-805-610	OIL SEAL (PJ30507)	1	
022	91301-805-000	O-RING, 26X2.7	1	
023	92101-080350A	BOLT, HEX., 8X35	1	
024	92800-12000	BOLT, DRAIN PLUG, 12MM	1	
025	94109-12000	WASHER, DRAIN PLUG, 12MM	1	
026	94111-08800	WASHER, SPRING, 8MM	1	
027	94301-08100	DOWEL PIN, 8X10	2	
028	95701-0605500	BOLT, FLANGE, 6X55	9	
029	95701-0802200	BOLT, FLANGE, 8X22	5	
030	96100-6205000	BEARING, RADIAL BALL, 6205	1	
031	96100-6206000	BEARING, RADIAL BALL, 6206	1	

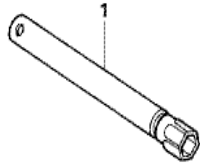


Z4F0E2800A

Ref	Partnumber	Description	GX120U1	Serial Numbers
002	87516-ZH7-810	MARK, OPERATOR CAUTION (PICTOGRAPH) (MAD)	(1)	1203308
002	87516-ZH7-810	MARK, OPERATOR CAUTION (PICTOGRAPH) (MAD)	(1)	
003	87521-ZH7-030	EMBLEM (4.0)	1	1086134
003	87521-ZH7-040	EMBLEM (GX120)	1	
003	87521-ZH7-040	EMBLEM (GX120)	1	1086135
004	87528-ZH7-000	MARK, CHOKE (GRAY)	1	
004	87528-ZH7-000	MARK, CHOKE (GRAY)	1	
005	87532-ZH7-000	MARK, THROTTLE INDICATION	1	

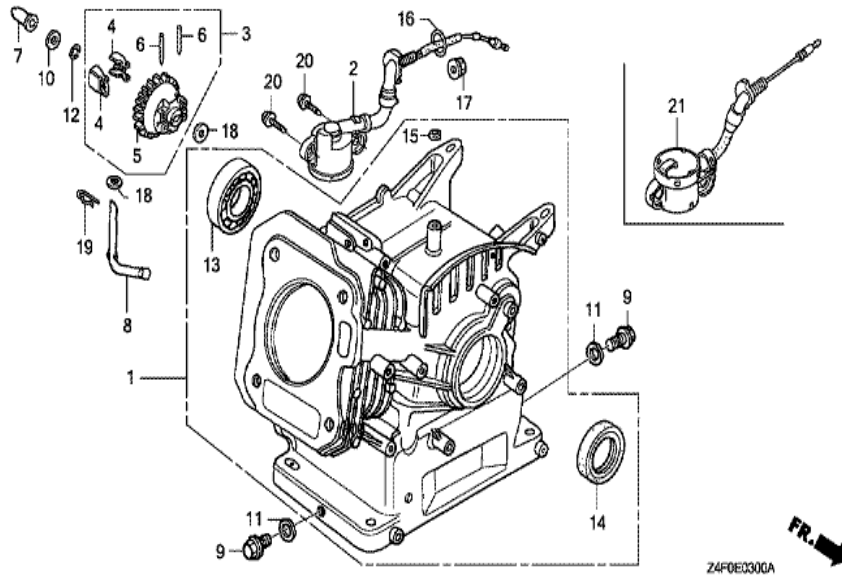
GX120U1(RHC)

E-29 TOOL

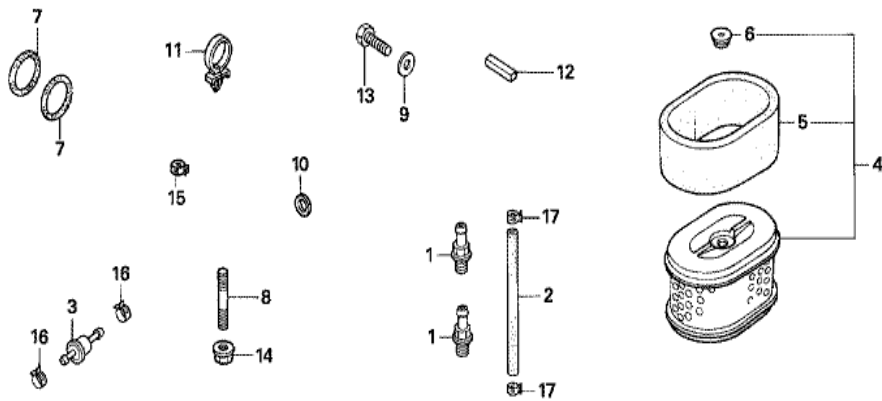


Z4F0-E2900

<u>Ref</u>	<u>Partnumber</u>	<u>Description</u>	<u>GX120U1</u>	<u>Serial Numbers</u>
001	89218-ZE1-000	WRENCH COMP., SPARK PLUG	1	

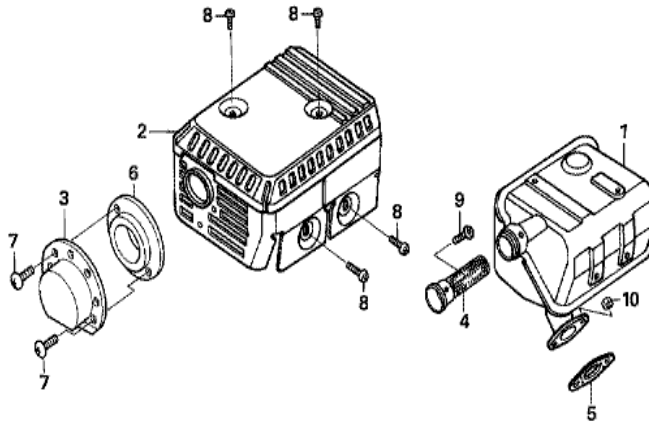


<u>Ref</u>	<u>Partnumber</u>	<u>Description</u>	<u>GX120U1</u>	<u>Serial Numbers</u>
001	12000-ZF0-425	BARREL ASSY., CYLINDER	1	
003	16510-ZE1-000	GOVERNOR ASSY.	1	
004	16511-ZE1-000	WEIGHT, GOVERNOR	2	
005	16512-ZE1-000	HOLDER, GOVERNOR WEIGHT	1	
006	16513-ZE1-000	PIN, GOVERNOR WEIGHT	2	
007	16531-ZE1-000	SLIDER, GOVERNOR	1	
008	16541-ZE1-000	SHAFT, GOVERNOR ARM	1	
009	90131-ZE1-000	BOLT, DRAIN PLUG	2	
010	90451-ZE1-000	WASHER, THRUST, 6MM	1	
011	90601-ZE1-000	WASHER, DRAIN PLUG, 10.2MM	2	
012	90602-ZE1-000	CLIP, GOVERNOR HOLDER	1	
013	91001-878-003	BEARING, RADIAL BALL,	1	
014	91202-ZE6-013	OIL SEAL, 22X35X6	1	
<u>Ref</u>	<u>Partnumber</u>	<u>Description</u>	<u>GX120U1</u>	<u>Serial Numbers</u>
018	94101-06800	WASHER, PLAIN, 6MM	2	
019	94251-08000	PIN, LOCK, 8MM	1	



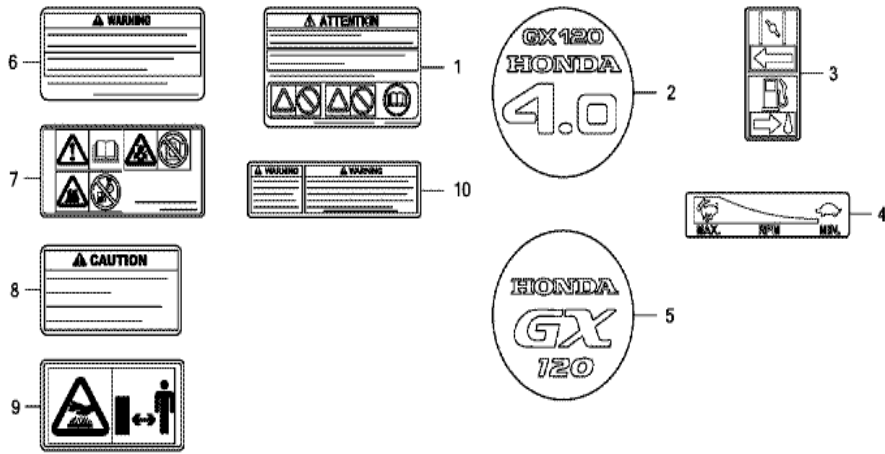
Z4F0-E4000

Ref	Partnumber	Description	GX120U1	Serial Numbers
009	90473-842-000	WASHER, 8MM	1	
013	92101-080250A	BOLT, HEX., 8X25	1	



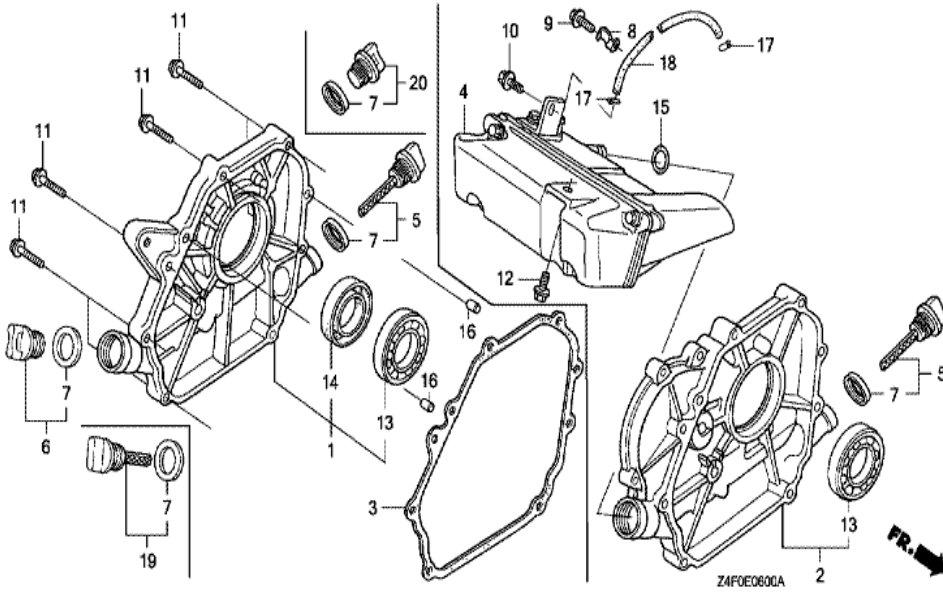
Z4F0-E4001

<u>Ref</u>	<u>Partnumber</u>	<u>Description</u>	<u>GX120U1</u>	<u>Serial Numbers</u>
001	18310-ZH8-810	MUFFLER COMP. (ARRESTER)	1	
002	18320-ZF1-H01	PROTECTOR, MUFFLER (STD.) (BLACK)	1	
004	18355-ZE1-000	ARRESTER, SPARK	1	
005	18381-ZH8-800	GASKET, MUFFLER	1	
008	90050-ZE1-000	SCREW, TAPPING, 5X8	4	
009	90055-ZE1-000	SCREW, TAPPING, 4X6	1	
010	94001-080000S	NUT, HEX., 8MM	2	

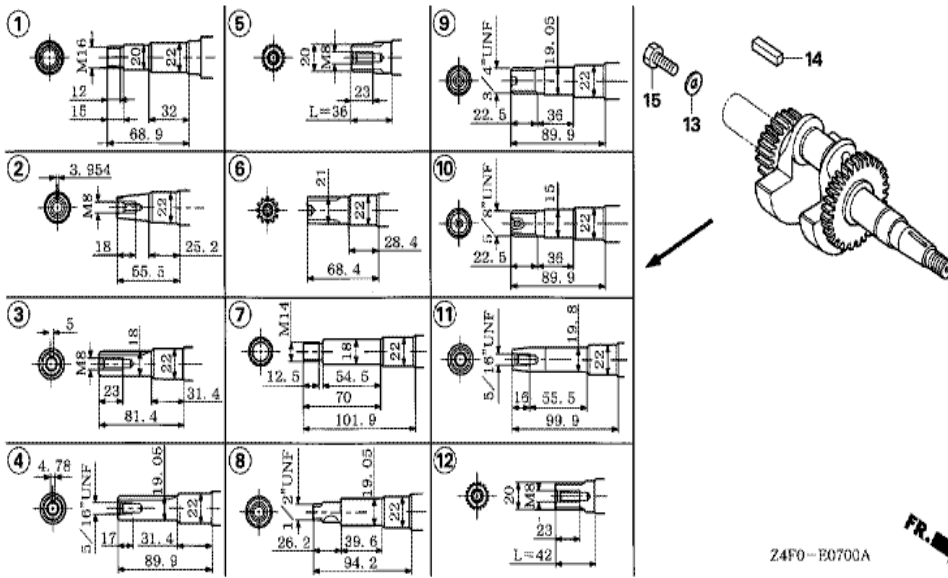


Z4F0E4003C

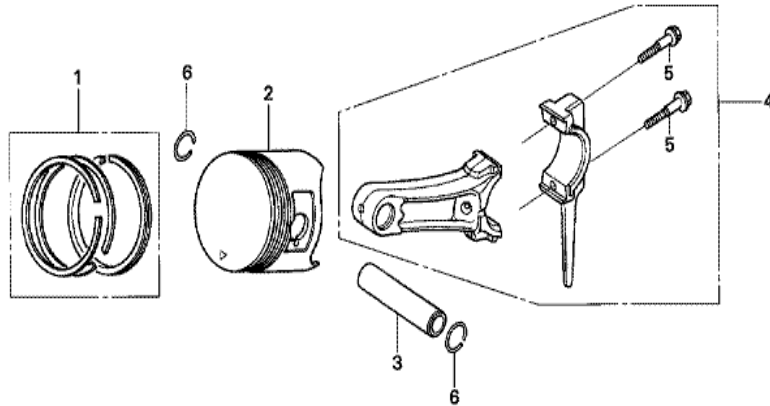
Ref	Partnumber	Description	GX120U1	Serial Numbers
001	87516-ZH7-000	MARK, OPERATOR CAUTION (ENGLISH) (MADE I	1	
001	87516-ZH7-000	MARK, OPERATOR CAUTION (ENGLISH) (MADE I	1	1203308
001	87516-ZH7-800	MARK, OPERATOR CAUTION (FRENCH) (MADE IN	1	
001	87516-ZH7-800	MARK, OPERATOR CAUTION (FRENCH) (MADE IN	1	



Ref	Partnumber	Description	GX120U1	Serial Numbers
001	11300-ZE0-010	COVER ASSY., CRANKCASE	1	
003	11381-ZH7-800	PACKING, CASE COVER	1	
005	15600-ZE1-003	CAP ASSY., OIL FILLER (GRAY)	1	
006	15600-ZG4-003	CAP ASSY., OIL FILLER	1	
007	15625-ZE1-003	PACKING, OIL FILLER CAP	1	
007	15625-ZE1-003	PACKING, OIL FILLER CAP	2	
011	90015-883-000	BOLT, FLANGE, 6X28 (CT200)	7	
013	91001-878-003	BEARING, RADIAL BALL,	1	
014	91203-ZE0-013	OIL SEAL, 22X41X6	1	
016	94301-08140	DOWEL PIN, 8X14	2	



Ref	Partnumber	Description	GX120U1	Serial Numbers
003	13310-ZE0-000	CRANKSHAFT COMP.	1	

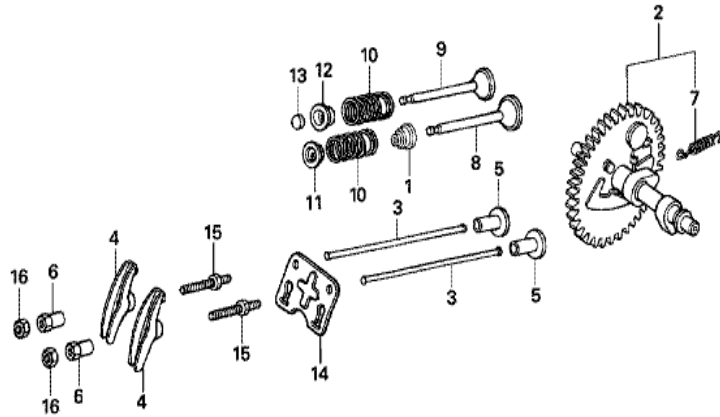


Z4FO-E0800



Ref	Partnumber	Description	GX120U1	Serial Numbers
001	13010-Z4F-004	RING SET, PISTON (STD.) (TEIKOKU)	1	1085093
001	13010-ZH7-003	RING SET, PISTON (STD.) (TEIKOKU)	1	1085092
001	13010-ZH7-003	RING SET, PISTON (STD.) (TEIKOKU)	1	1085092
001	13010-ZH7-004	RING SET, PISTON (STD.) (NIPPON)	1	1085092
001	13010-ZH7-004	RING SET, PISTON (STD.) (NIPPON)	1	1085092
001	13011-Z4F-004	RING SET, PISTON (0.25) (TEIKOKU)	(1)	1085093
001	13011-Z4F-004	RING SET, PISTON (0.25) (TEIKOKU)	(1)	1085093
001	13011-ZH7-003	RING SET, PISTON (0.25) (TEIKOKU)	(1)	1085092
001	13011-ZH7-003	RING SET, PISTON (0.25) (TEIKOKU)	(1)	1085092
001	13011-ZH7-004	RING SET, PISTON (0.25) (NIPPON)	(1)	1085092
001	13011-ZH7-004	RING SET, PISTON (0.25) (NIPPON)	(1)	1085092
001	13012-Z4F-004	RING SET, PISTON (0.50) (TEIKOKU)	(1)	1085093
001	13012-Z4F-004	RING SET, PISTON (0.50) (TEIKOKU)	(1)	1085093

<u>Ref</u>	<u>Partnumber</u>	<u>Description</u>	<u>GX120U1</u>	<u>Serial Numbers</u>
001	13012-ZH7-003	RING SET, PISTON (0.50) (TEIKOKU)	(1)	1085092
001	13012-ZH7-003	RING SET, PISTON (0.50) (TEIKOKU)	(1)	1085092
001	13012-ZH7-004	RING SET, PISTON (0.50) (NIPPON)	(1)	1085092
001	13012-ZH7-004	RING SET, PISTON (0.50) (NIPPON)	(1)	1085092
001	13013-Z4F-004	RING SET, PISTON (0.75) (TEIKOKU)	(1)	1085093
001	13013-Z4F-004	RING SET, PISTON (0.75) (TEIKOKU)	(1)	1085093
001	13013-ZH7-003	RING SET, PISTON (0.75) (TEIKOKU)	(1)	1085092
001	13013-ZH7-003	RING SET, PISTON (0.75) (TEIKOKU)	(1)	1085092
001	13013-ZH7-004	RING SET, PISTON (0.75) (NIPPON)	(1)	1085092
001	13013-ZH7-004	RING SET, PISTON (0.75) (NIPPON)	(1)	1085092
002	13101-ZH7-010	PISTON (STD.)	1	1085092
002	13101-ZH7-020	PISTON (STD.)	1	
002	13101-ZH7-020	PISTON (STD.)	1	1085093
002	13102-ZH7-010	PISTON (0.25)	(1)	1085092
002	13102-ZH7-010	PISTON (0.25)	(1)	1085092
002	13102-ZH7-020	PISTON (0.25)	(1)	1085093
002	13102-ZH7-020	PISTON (0.25)	(1)	1085093
002	13103-ZH7-010	PISTON (0.50)	(1)	1085092
002	13103-ZH7-010	PISTON (0.50)	(1)	1085092
002	13103-ZH7-020	PISTON (0.50)	(1)	1085093
002	13103-ZH7-020	PISTON (0.50)	(1)	1085093
002	13104-ZH7-010	PISTON (0.75)	(1)	1085092
002	13104-ZH7-010	PISTON (0.75)	(1)	1085092
002	13104-ZH7-020	PISTON (0.75)	(1)	1085093
002	13104-ZH7-020	PISTON (0.75)	(1)	1085093
003	13111-ZE0-000	PIN, PISTON	1	
004	13200-ZE0-000	ROD ASSY., CONNECTING	1	
005	90001-ZE1-000	BOLT, CONNECTING ROD	2	
006	90551-ZE0-000	CLIP, PISTON PIN, 13MM	2	



Z4F0--E0900



<u>Ref</u>	<u>Partnumber</u>	<u>Description</u>	<u>GX120U1</u>	<u>Serial Numbers</u>
001	12209-ZH8-003	SEAL, VALVE STEM	1	
002	14100-ZE0-812	CAMSHAFT ASSY.	1	
003	14410-ZE0-010	ROD, PUSH	2	
004	14431-ZE1-000	ARM, VALVE ROCKER	2	
005	14441-ZE1-010	LIFTER, VALVE	2	
006	14451-ZE1-013	PIVOT, ROCKER ARM	2	
007	14568-ZE1-000	SPRING, WEIGHT RETURN	1	
008	14711-ZF0-010	VALVE, IN.	1	
009	14721-ZF0-000	VALVE, EX.	1	
010	14751-ZF1-000	SPRING, VALVE	2	
011	14771-ZE1-000	RETAINER, IN. VALVE SPRING	1	
012	14773-ZE1-000	RETAINER, EX. VALVE SPRING	1	
013	14781-ZE1-000	ROTATOR, VALVE	1	
<u>Ref</u>	<u>Partnumber</u>	<u>Description</u>	<u>GX120U1</u>	<u>Serial Numbers</u>
014	14791-ZE0-010	PLATE, PUSH ROD GUIDE	1	
015	90012-ZE0-010	BOLT, PIVOT, 8MM	2	
016	90206-ZE1-000	NUT, PIVOT ADJUSTING	2	