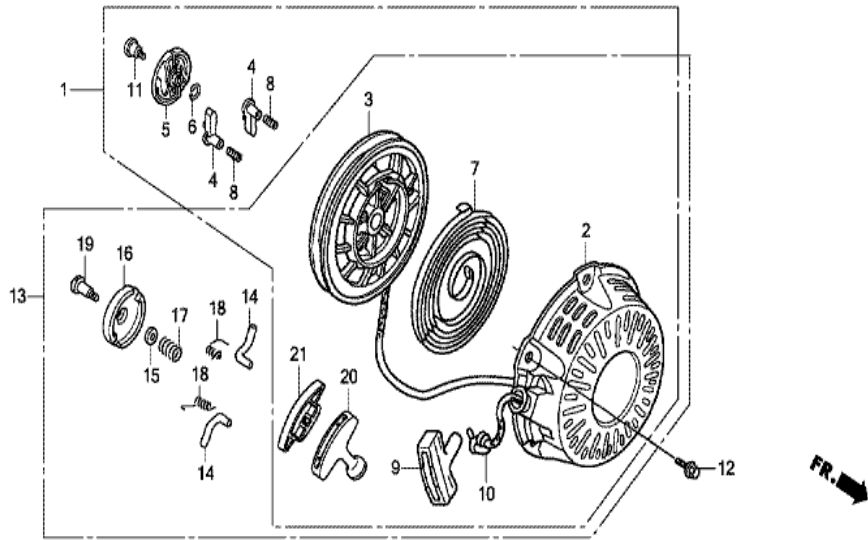


GX120T1 (ARL)

E-11 RECOIL STARTER (1)

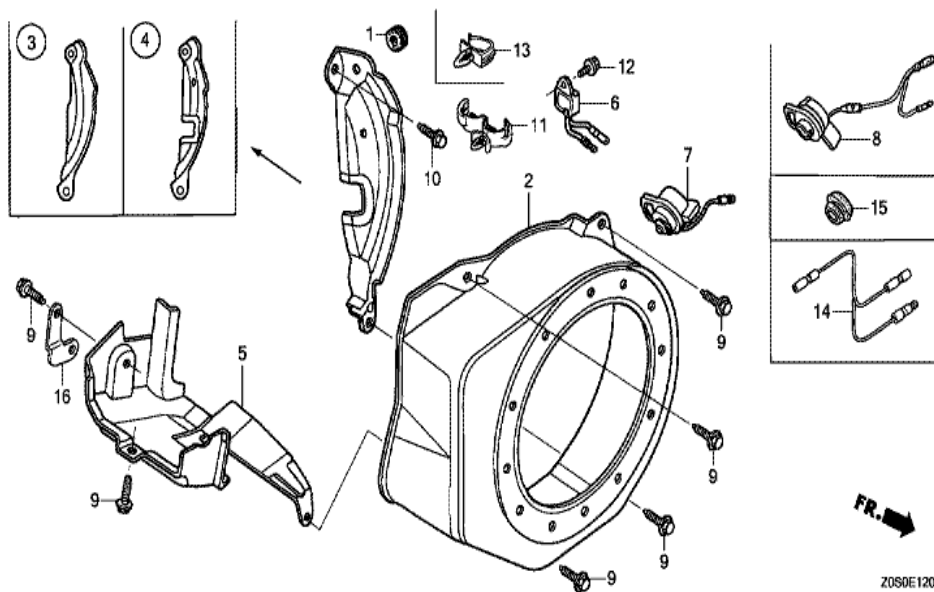


Z05DE1160C

Ref	Partnumber	Description	GX120T1	Serial Numbers
002	28410-ZH8-003YA	CASE COMP., RECOIL STARTER *R280 *	1	
002	28410-ZH8-003YA	CASE COMP., RECOIL STARTER *R280 *	1	
002	28410-ZH8-003YA	CASE COMP., RECOIL STARTER *R280 *	1	
002	28410-ZH8-003ZB	CASE COMP., RECOIL STARTER *NH1 *	1	
002	28410-ZH8-003ZB	CASE COMP., RECOIL STARTER *NH1 *	1	
002	28410-ZH8-003ZB	CASE COMP., RECOIL STARTER *NH1 *	1	
002	28410-ZH8-003ZB	CASE COMP., RECOIL STARTER *NH1 *	1	
003	28421-ZH8-801	REEL, RECOIL STARTER (BLACK)	1	
003	28421-ZH8-801	REEL, RECOIL STARTER (BLACK)	1	
007	28442-ZH8-003	SPRING, RECOIL STARTER	1	
009	28461-ZH8-003	GRIP, STARTER	1	
010	28462-ZH8-003	ROPE, RECOIL STARTER	1	
012	90008-ZE2-003	BOLT, FLANGE, 6X10	3	

<u>Ref</u>	<u>Partnumber</u>	<u>Description</u>	<u>GX120T1</u>	<u>Serial Numbers</u>
013	28400-ZH8-023YA	STARTER ASSY., RECOIL *R280 *	1	
013	28400-ZH8-023YA	STARTER ASSY., RECOIL *R280 *	1	
013	28400-ZH8-023YA	STARTER ASSY., RECOIL *R280 *	1	
013	28400-ZH8-023YA	STARTER ASSY., RECOIL *R280 *	1	
013	28400-ZH8-023ZB	STARTER ASSY., RECOIL *NH1 *	1	1154037
013	28400-ZH8-023ZB	STARTER ASSY., RECOIL *NH1 *	1	
013	28400-ZH8-023ZB	STARTER ASSY., RECOIL *NH1 *	1	
013	28400-ZH8-023ZB	STARTER ASSY., RECOIL *NH1 *	1	
013	28400-ZH8-023ZB	STARTER ASSY., RECOIL *NH1 *	1	
013	28400-ZH8-023ZB	STARTER ASSY., RECOIL *NH1 *	1	
014	28422-ZH8-801	RATCHET, STARTER	2	
014	28422-ZH8-801	RATCHET, STARTER	2	1154037
015	28431-ZH8-801	PLATE, FRICTION	1	
016	28433-ZH8-801	GUIDE, RATCHET	1	
016	28433-ZH8-801	GUIDE, RATCHET	1	1154037
017	28441-ZH8-801	SPRING, FRICTION	1	
018	28443-ZH8-801	SPRING, RETURN	2	
018	28443-ZH8-801	SPRING, RETURN	2	1154037
019	90003-ZH8-801	SCREW, SETTING	1	
019	90003-ZH8-801	SCREW, SETTING	1	1154037

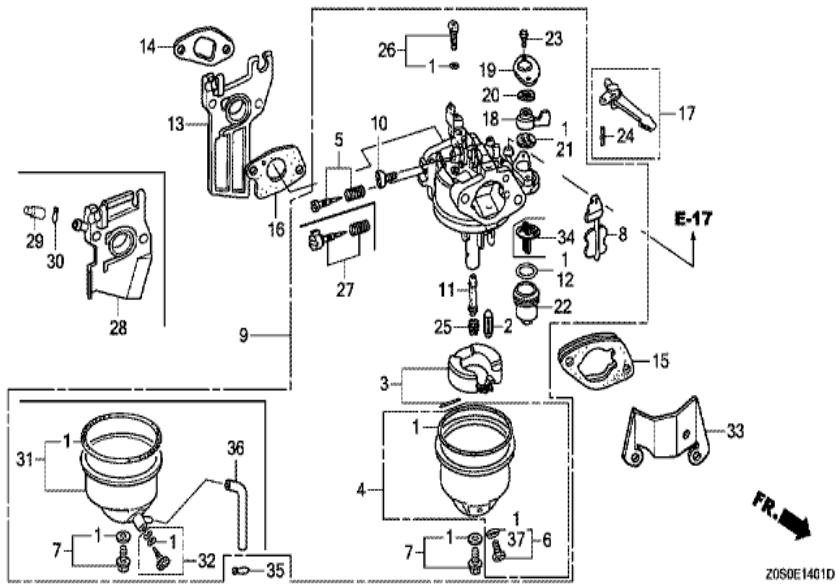
GX120T1 (ARL)	E-12 FAN COVER
---------------	----------------



Ref	Partnumber	Description	GX120T1	Serial Numbers
001	11347-371-300	GROMMET, ADJUSTING COVER	1	
002	19610-ZK7-V00ZC	COVER COMP., FAN *NH1 *	1	
002	19610-ZK7-V00ZC	COVER COMP., FAN *NH1 *	1	
002	19610-ZK7-V00ZC	COVER COMP., FAN *NH1 *	1	
002	19610-ZK7-V00ZD	COVER COMP., FAN *R280 *	1	
002	19610-ZK7-V00ZD	COVER COMP., FAN *R280 *	1	
002	19610-ZK7-V00ZD	COVER COMP., FAN *R280 *	1	
003	19612-ZK7-V00	PLATE, SIDE	1	
003	19612-ZK7-V00	PLATE, SIDE	1	
007	35120-Z0T-801	SWITCH ASSY., ENGINE STOP	1	
009	90013-883-000	BOLT, FLANGE, 6X12 (CT200)	4	
010	90022-888-010	BOLT, FLANGE, 6X20 (CT200)	1	

GX120T1 (ARL)

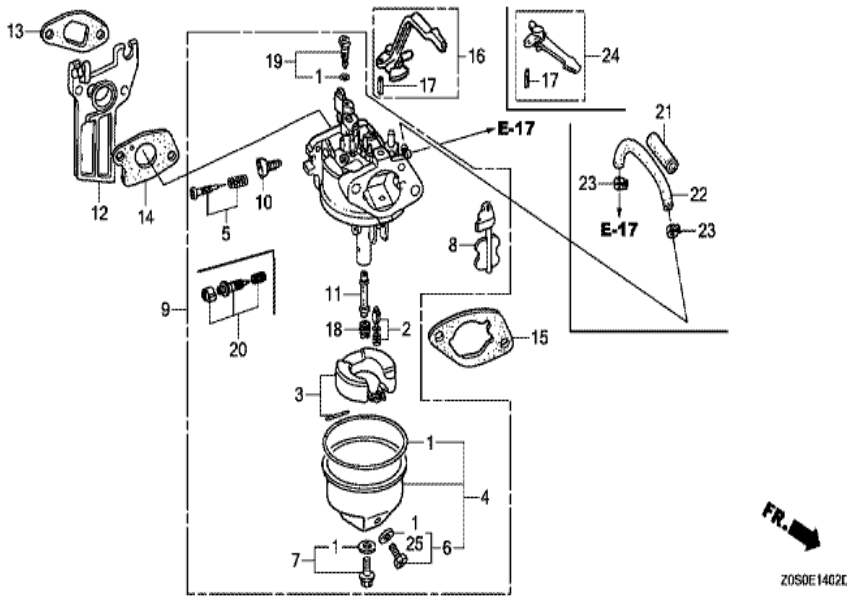
E-14-1 CARBURETOR (2)



Ref	Partnumber	Description	GX120T1	Serial Numbers
013	16211-ZE0-000	INSULATOR, CARBURETOR	1	
014	16212-ZH7-800	PACKING, INSULATOR	1	
015	16220-ZE1-020	SPACER COMP., CARBURETOR	1	
015	16220-ZE1-020	SPACER COMP., CARBURETOR	1	
016	16221-ZH8-801	PACKING, CARBURETOR	1	
017	16610-ZE1-000	LEVER COMP., CHOKE (STD.)	1	
024	94305-20122	PIN, SPRING, 2X12	1	

GX120T1 (ARL)

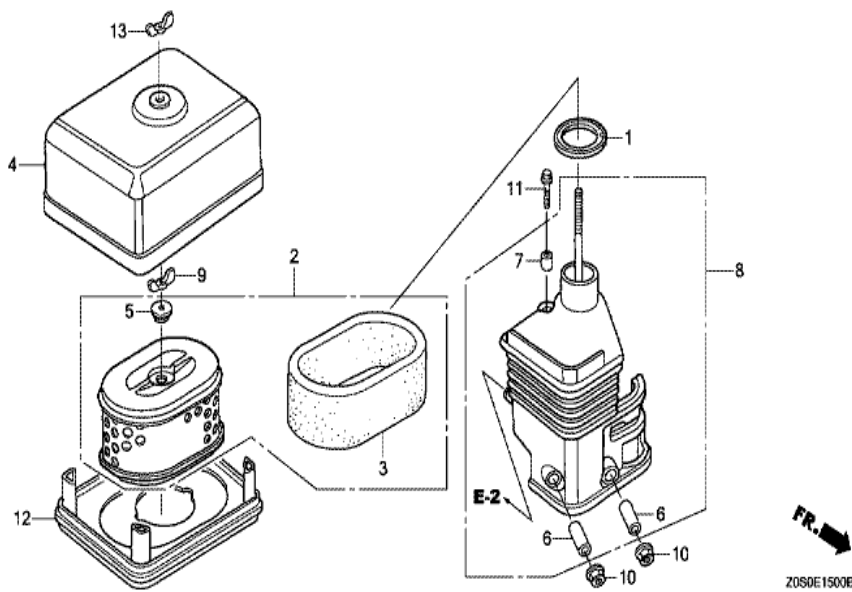
E-14-2 CARBURETOR (3)



Ref	Partnumber	Description	GX120T1	Serial Numbers
001	16010-ZB1-015	GASKET SET	1	
002	16011-ZE0-005	VALVE SET, FLOAT	1	
003	16013-Z0S-B01	FLOAT SET	1	
004	16015-ZE1-811	CHAMBER SET, FLOAT	1	
004	16015-ZE1-811	CHAMBER SET, FLOAT	1	
004	16015-ZE1-811	CHAMBER SET, FLOAT	1	
006	16024-ZE1-811	SCREW SET, DRAIN	1	
006	16024-ZE1-811	SCREW SET, DRAIN	1	
007	16028-ZE0-005	SCREW SET	1	
007	16028-ZE0-005	SCREW SET	1	
008	16044-ZE0-005	CHOKE SET	1	
009	16100-Z4H-U31	CARBURETOR ASSY. (BE62H A)	1	
009	16100-Z4H-U31	CARBURETOR ASSY. (BE62H A)	1	

<u>Ref</u>	<u>Partnumber</u>	<u>Description</u>	<u>GX120T1</u>	<u>Serial Numbers</u>
010	16124-ZE0-005	SCREW, THROTTLE STOP	1	
011	16166-ZH7-A50	NOZZLE, MAIN	1	
012	16211-ZE0-000	INSULATOR, CARBURETOR	1	
013	16212-ZH7-800	PACKING, INSULATOR	1	
014	16221-ZH8-801	PACKING, CARBURETOR	1	
017	94305-20122	PIN, SPRING, 2X12	1	
018	99101-ZH80580	JET, MAIN, #58	1	
018	99101-ZH80580	JET, MAIN, #58	(1)	
018	99101-ZH80600	JET, MAIN, #60	(1)	
018	99101-ZH80600	JET, MAIN, #60	(1)	
018	99101-ZH80600	JET, MAIN, #60	(1)	
018	99101-ZH80620	JET, MAIN, #62	1	
018	99101-ZH80620	JET, MAIN, #62	1	
018	99101-ZH80620	JET, MAIN, #62	1	
019	99204-ZE00350	JET SET, PILOT, #35	1	
020	16016-ZH7-W01	SCREW SET, PILOT	1	
021	16854-ZH8-000	RUBBER, SUPPORTER (107MM)	1	
022	95001-4540060	TUBE, FUEL, 4.5X400 (95001-450 (95001-45	1	
023	95002-4080008	CLAMP, TUBE (D8)	2	
025	16141-Z0S-003	WASHER, PLAIN (6.2X10.7 DRAIN)	(1)	

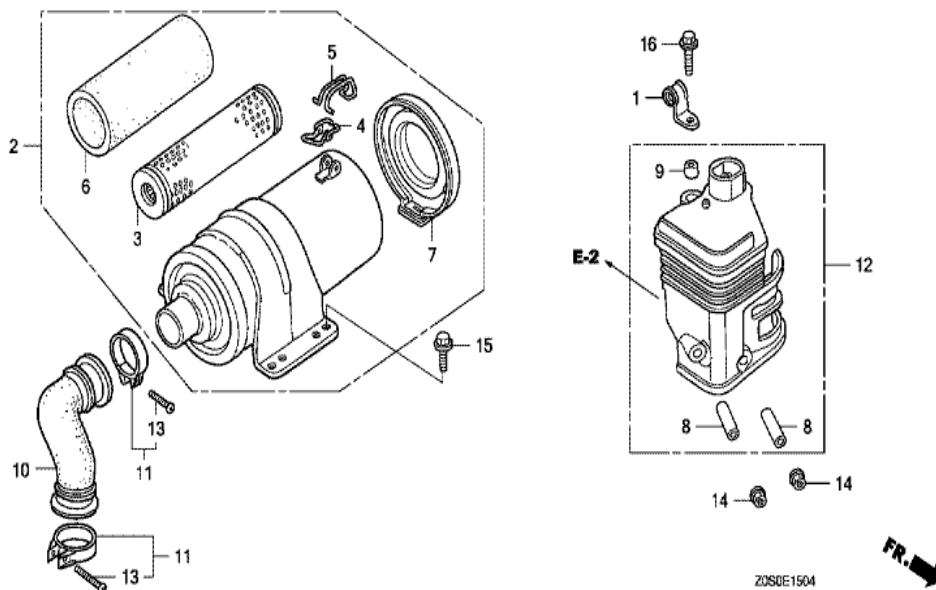
GX120T1 (ARL)	E-15 AIR CLEANER (DUAL)
---------------	-------------------------



Ref	Partnumber	Description	GX120T1	Serial Numbers
007	17239-ZE1-000	COLLAR B, AIR CLEANER	1	
011	95701-0602000	BOLT, FLANGE, 6X20	1	

GX120T1 (ARL)

E-15-4 AIR CLEANER (RAMMER)

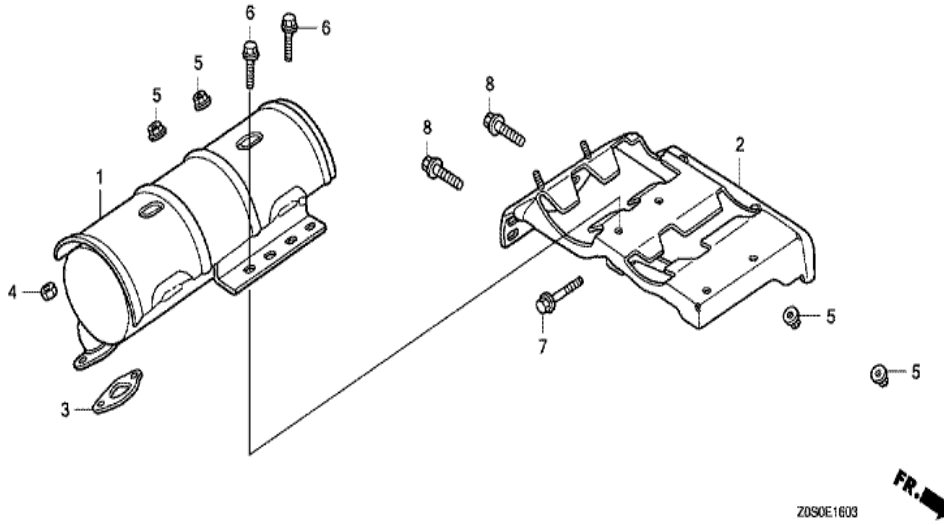


Ref	Partnumber	Description	GX120T1	Serial Numbers
001	16106-KW7-900	CLIP B, TUBE	1	
002	17200-ZK7-V01	CLEANER ASSY., AIR	1	
003	17210-ZK7-V01	ELEMENT COMP., AIR CLEANER	1	
004	17216-PM4-300	CLIP A, WIRE	1	
005	17217-PM4-300	CLIP B, WIRE	1	
006	17218-ZK7-V01	FILTER, OUTER	1	
007	17230-ZK7-V01	COVER COMP., AIR CLEANER	1	
008	17238-ZE7-010	COLLAR, AIR CLEANER	2	
009	17239-ZE1-000	COLLAR B, AIR CLEANER	1	
010	17251-ZE0-S10	TUBE, AIR CLEANER CONNECTING	1	
011	17255-758-000	BAND, AIR CLEANER CONNECTING TUBE	2	
012	17410-ZE1-P30	ELBOW COMP., AIR CLEANER	1	
013	93500-040200A	SCREW, PAN, 4X20	2	
Ref	Partnumber	Description	GX120T1	Serial Numbers
014	94050-06000	NUT, FLANGE, 6MM	2	
015	95701-0601600	BOLT, FLANGE, 6X16	2	
016	95701-0602000	BOLT, FLANGE, 6X20	1	



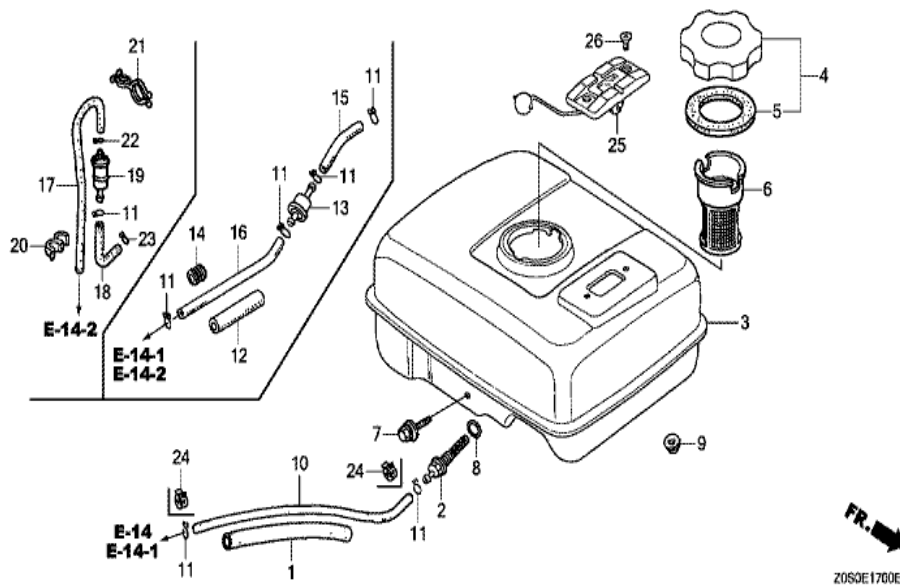
GX120T1(ARL)

E-16-3 MUFFLER (RAMMER)



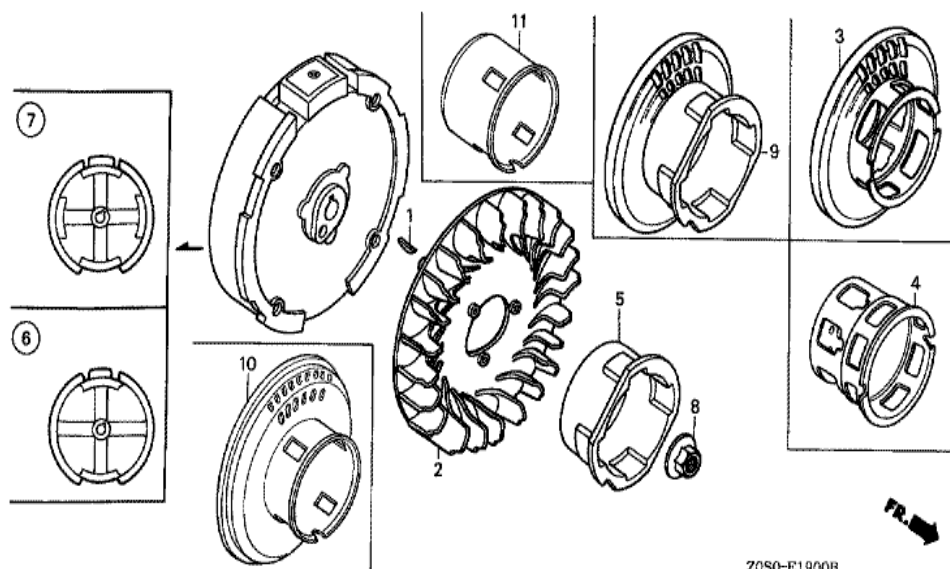
Ref	Partnumber	Description	GX120T1	Serial Numbers
001	18310-ZK7-V01	MUFFLER COMP.	1	
001	18310-ZK7-V01	MUFFLER COMP.	1	
002	18338-ZK7-V01	STAY COMP., MUFFLER	1	
003	18381-ZOT-801	GASKET, MUFFLER	1	
004	94001-080000S	NUT, HEX., 8MM	2	
005	94050-06000	NUT, FLANGE, 6MM	4	
006	95701-0601600	BOLT, FLANGE, 6X16	2	
007	95701-0602500	BOLT, FLANGE, 6X25	1	
008	95701-0802000	BOLT, FLANGE, 8X20	2	

GX120T1 (ARL)	E-17 FUEL TANK
---------------	----------------



Ref	Partnumber	Description	GX120T1	Serial Numbers
011	95002-02080	CLIP, TUBE (B8)	1	
017	16198-ZG0-U00	TUBE A, AIR VENT	1	
018	16199-KCR-000	TUBE	1	
019	16910-ZG0-U02	STRAINER COMP., FUEL	1	
020	17205-PC6-000	CLAMP, TUBE, 7.5X2	1	
021	91473-PA1-003	CLIP, WATER HOSE	1	
022	95002-02100	CLIP, TUBE (B10)	1	
023	95002-50000	CLIP, TUBE (C9)	1	

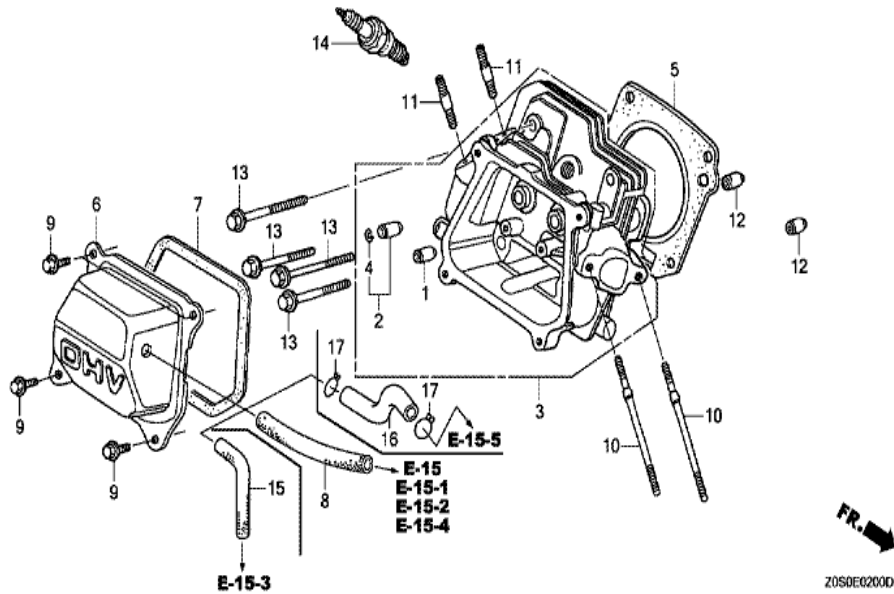
GX120T1 (ARL)	E-19 FLYWHEEL
---------------	---------------



ZOS0-E1900B

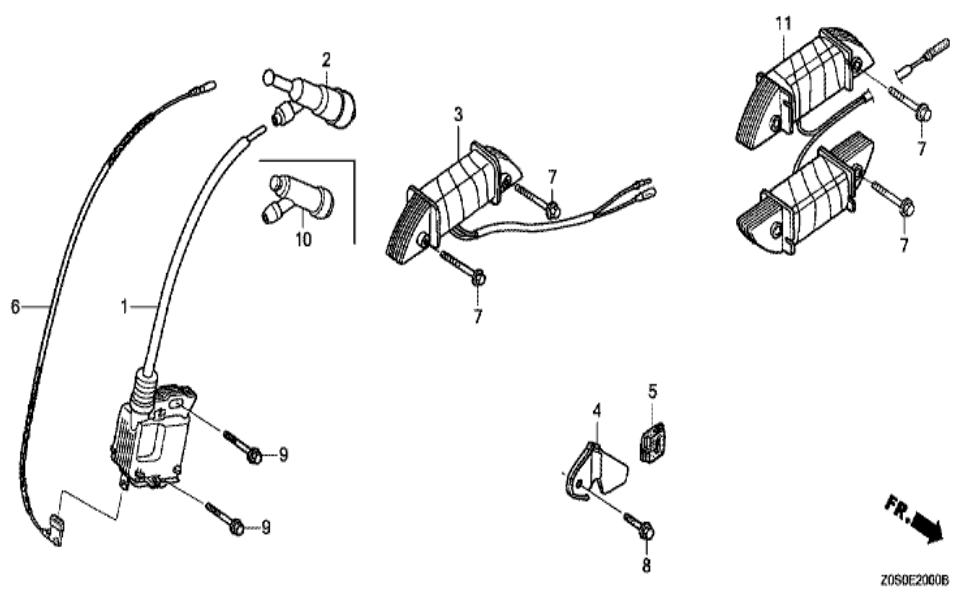
Ref	Partnumber	Description	GX120T1	Serial Numbers
001	13331-357-000	KEY, SPECIAL WOODRUFF, 25X18	1	
002	19511-ZE0-000	FAN, COOLING	1	
006	31100-ZE0-020	FLYWHEEL COMP.	1	1659243
006	31100-ZE0-020	FLYWHEEL COMP.	1	
008	90201-Z0T-800	NUT, SPECIAL, 14MM	1	
011	28451-ZH7-801	PULLEY, STARTER	1	

GX120T1 (ARL)	E-2 CYLINDER HEAD
---------------	-------------------



Ref	Partnumber	Description	GX120T1	Serial Numbers
001	12204-ZE1-306	GUIDE, IN. VALVE (OS)	1	
002	12205-ZE1-315	GUIDE, EX. VALVE (OS)	1	
003	12210-ZH7-415	HEAD COMP., CYLINDER	1	
003	12210-ZH7-415	HEAD COMP., CYLINDER	1	
004	12216-ZE5-300	CLIP, VALVE GUIDE	1	
005	12251-Z0S-801	GASKET, CYLINDER HEAD (THAI LEAKLESS)	1	
005	12251-Z0S-801	GASKET, CYLINDER HEAD (THAI LEAKLESS)	1	1568330
006	12310-ZE1-020	COVER COMP., HEAD	1	
006	12310-ZE1-020	COVER COMP., HEAD	1	
006	12310-ZE1-020	COVER COMP., HEAD	1	
006	12310-ZE1-020	COVER COMP., HEAD	1	
007	12391-ZE1-000	PACKING, HEAD COVER	1	
008	15721-ZH8-000	TUBE, BREATHER	1	
<u>Ref</u>	<u>Partnumber</u>	<u>Description</u>	<u>GX120T1</u>	<u>Serial Numbers</u>
009	90013-883-000	BOLT, FLANGE, 6X12 (CT200)	4	
010	90043-ZE1-020	BOLT, STUD, 6X112	2	
010	90043-ZE1-020	BOLT, STUD, 6X112	2	
010	90043-ZE1-020	BOLT, STUD, 6X112	2	
011	90047-ZE1-000	BOLT, STUD, 8X32	2	
012	94301-10160	DOWEL PIN, 10X16	2	
013	95701-0805500	BOLT, FLANGE, 8X55	4	
013	95701-0805500	BOLT, FLANGE, 8X55	4	1722681
014	98079-54846	PLUG, SPARK (BPR4ES) (NGK)	1	
014	98079-54855	PLUG, SPARK (W14EPR-U) (DENSO)	1	
014	98079-54855	PLUG, SPARK (W14EPR-U) (DENSO)	1	

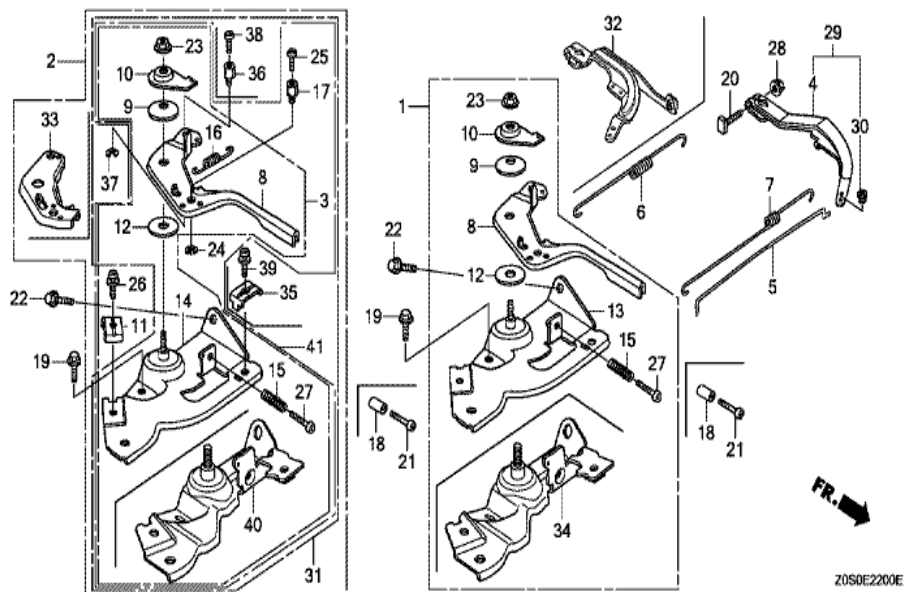
GX120T1 (ARL)	E-20 IGNITION COIL
---------------	--------------------



Ref	Partnumber	Description	GX120T1	Serial Numbers
001	30500-Z0T-802	COIL ASSY., IGNITION (TEC)	1	
001	30500-Z0T-802	COIL ASSY., IGNITION (TEC)	1	
002	30700-Z0T-811	CAP ASSY., NOISE SUPPRESSOR (NGK)	1	
002	30700-Z0T-811	CAP ASSY., NOISE SUPPRESSOR (NGK)	1	
006	36101-ZE1-010	CORD, STOP SWITCH (370MM)	1	
009	90121-952-000	BOLT, FLANGE, 6X25 (CT200)	2	

GX120T1(ARL)

E-22 CONTROL (1)

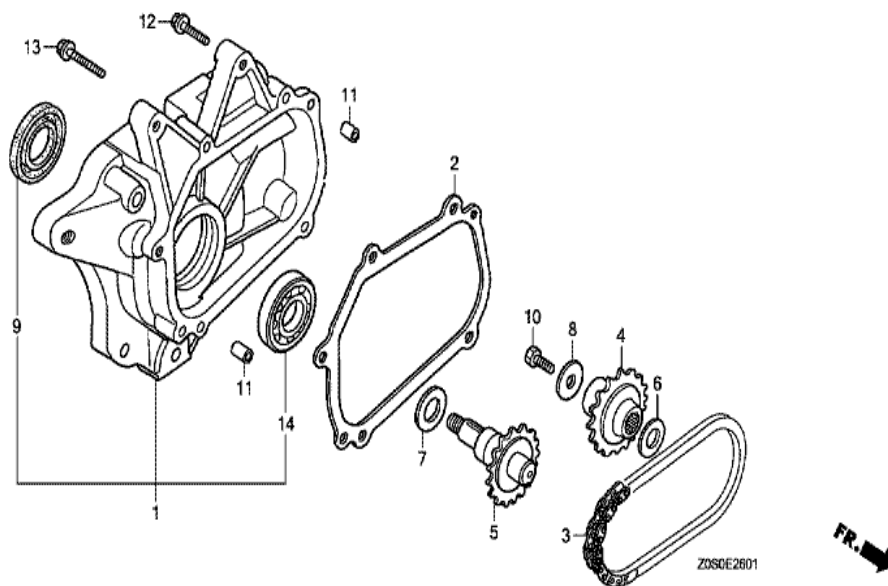


Z0S0E2200E

Ref	Partnumber	Description	GX120T1	Serial Numbers
002	16570-ZE0-S10	CONTROL ASSY.	1	
003	16570-ZE0-S10	CONTROL ASSY.	1	
003	16570-ZE0-S10	CONTROL ASSY.	1	
005	16555-ZE0-000	ROD, GOVERNOR	1	
006	16561-ZE0-020	SPRING, GOVERNOR	1	
007	16562-ZE0-020	SPRING, THROTTLE RETURN	1	
008	16571-ZE0-S10	LEVER, CONTROL	1	
009	16574-ZE1-000	SPRING, LEVER	1	
010	16575-ZH8-000	WASHER, CONTROL LEVER	1	
011	16576-891-000	HOLDER, CABLE	1	
012	16578-ZE1-000	SPACER, CONTROL LEVER	1	
014	16580-ZH7-810	BASE COMP., CONTROL (###)	1	
015	16584-883-300	SPRING, CONTROL ADJUSTING	1	
Ref	Partnumber	Description	GX120T1	Serial Numbers
016	16592-ZE1-810	SPRING, CABLE RETURN	1	
017	16594-883-010	HOLDER, WIRE	1	
019	90013-883-000	BOLT, FLANGE, 6X12 (CT200)	1	
020	90015-ZE5-010	BOLT, GOVERNOR ARM	1	
020	90015-ZE5-010	BOLT, GOVERNOR ARM	1	
022	90022-888-010	BOLT, FLANGE, 6X20 (CT200)	1	
023	90114-SA0-000	NUT, SELF-LOCK, 6MM	1	
024	90605-230-000	CIRCLIP, 5MM	1	
025	93500-040060H	SCREW, PAN, 4X6	1	
025	93500-040060H	SCREW, PAN, 4X6	1	
026	93500-050160A	SCREW, PAN, 5X16	1	
027	93500-050250H	SCREW, PAN, 5X25	1	
028	94050-06000	NUT, FLANGE, 6MM	1	
029	16550-ZK7-V00	ARM COMP., GOVERNOR	1	
030	16552-896-650	COLLAR, LEVER	1	
033	16571-ZE0-S10	LEVER, CONTROL	1	

GX120T1(ARL)

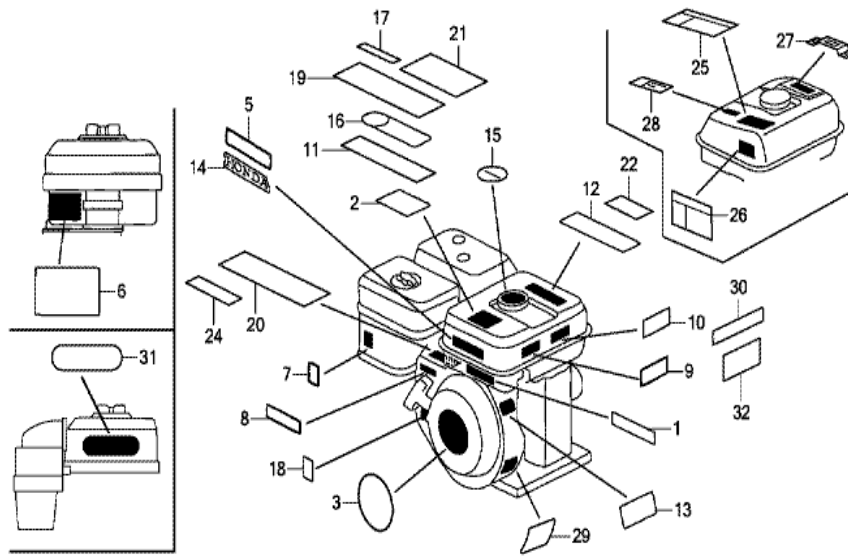
E-26-1 REDUCTION (2)



<u>Ref</u>	<u>Partnumber</u>	<u>Description</u>	<u>GX120T1</u>	<u>Serial Numbers</u>
001	11500-ZK7-V00	COVER ASSY., CHAIN CASE	1	
002	11521-ZK7-V00	PACKING, CHAIN CASE COVER	1	
003	14411-ZK7-V01	CHAIN, P.T.O. DRIVE	1	
004	23121-ZK7-V00	SPROCKET, DRIVE (17T)	1	
005	23151-ZK7-V00	SHAFT, P.T.O. (16T)	1	
006	90454-428-000	WASHER, THRUST, 20MM	1	
007	90456-ZE1-000	SPRING, THRUST	1	
008	90471-ZE1-610	WASHER, 8MM	1	
009	91252-888-003	OIL SEAL, 25X38X7 (ARAI)	1	
010	92101-080250A	BOLT, HEX., 8X25	1	
011	94303-08140	DOWEL PIN, 8X14	2	
012	95701-0803500	BOLT, FLANGE, 8X35	4	
013	95701-0805500	BOLT, FLANGE, 8X55	1	
<u>Ref</u>	<u>Partnumber</u>	<u>Description</u>	<u>GX120T1</u>	<u>Serial Numbers</u>
014	96100-6005000	BEARING, RADIAL BALL, 6005	1	

GX120T1(ARL)

E-28 LABEL

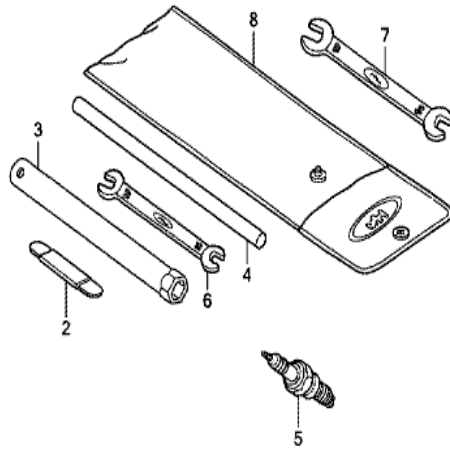


Z0S0E2800N

Ref	Partnumber	Description	GX120T1	Serial Numbers
003	87521-ZH7-040	EMBLEM (GX120)	1	1663871
003	87521-ZH7-040	EMBLEM (GX120)	1	
003	87521-ZH7-040	EMBLEM (GX120)	1	
007	87528-ZH7-000	MARK, CHOKE (GRAY)	1	
007	87528-ZH7-000	MARK, CHOKE (GRAY)	1	
007	87528-ZH7-000	MARK, CHOKE (GRAY)	1	
007	87528-ZH7-000	MARK, CHOKE (GRAY)	1	
018	87114-ZH7-000	LABEL, WARNING (NOT CERTIFIED FOR SALE)	1	
020	87516-Z0S-800	MARK, OPERATOR CAUTION	1	
020	87516-Z0S-800	MARK, OPERATOR CAUTION	1	



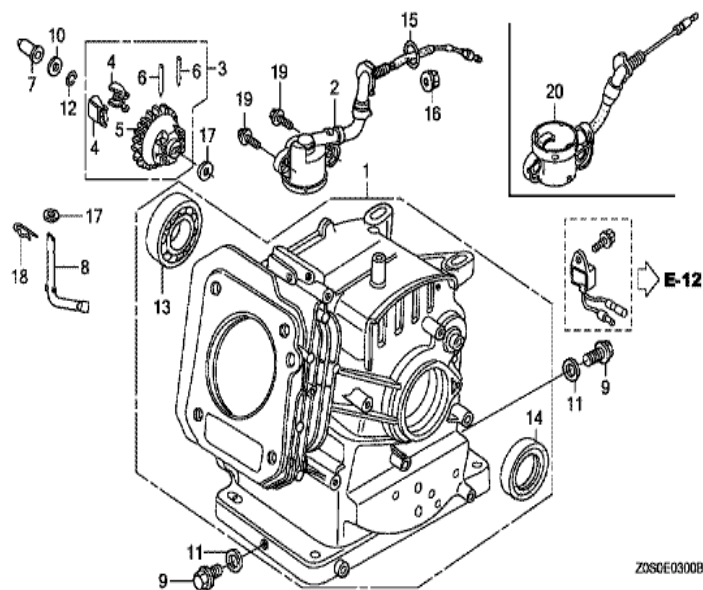
GX120T1 (ARL)	E-29 TOOL
---------------	-----------



Z0S0E2900A

Ref	Partnumber	Description	GX120T1	Serial Numbers
003	89216-Z0T-800	WRENCH, SPARK PLUG	1	
003	89216-Z0T-800	WRENCH, SPARK PLUG	1	

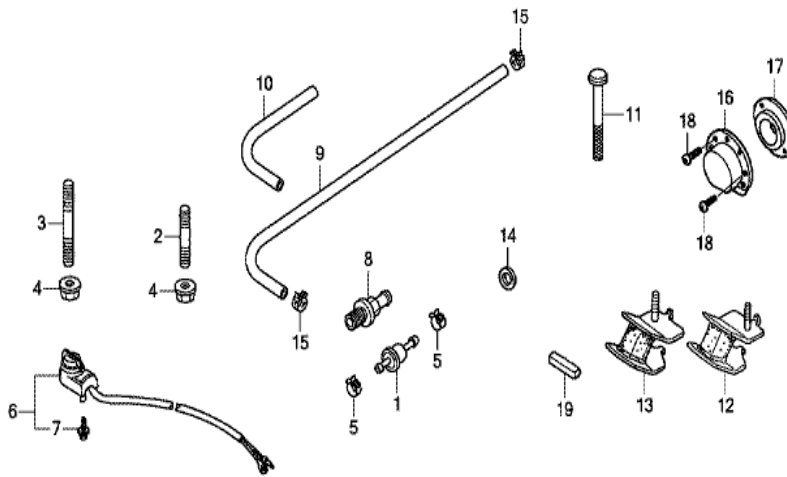
GX120T1 (ARL)	E-3 CYLINDER BARREL
---------------	---------------------



<u>Ref</u>	<u>Partnumber</u>	<u>Description</u>	<u>GX120T1</u>	<u>Serial Numbers</u>
001	12000-Z0S-405	BARREL ASSY., CYLINDER	1	
003	16510-ZE1-000	GOVERNOR ASSY.	1	
004	16511-ZE1-000	WEIGHT, GOVERNOR	2	
005	16512-ZE1-000	HOLDER, GOVERNOR WEIGHT	1	
006	16513-ZE1-000	PIN, GOVERNOR WEIGHT	2	
007	16531-ZE1-000	SLIDER, GOVERNOR	1	
008	16541-ZE1-000	SHAFT, GOVERNOR ARM	1	
009	90131-ZE1-000	BOLT, DRAIN PLUG	2	
010	90451-ZE1-000	WASHER, THRUST, 6MM	1	
011	90601-ZE1-000	WASHER, DRAIN PLUG, 10.2MM	2	
012	90602-ZE1-000	CLIP, GOVERNOR HOLDER	1	
013	91001-878-003	BEARING, RADIAL BALL,	1	
014	91202-ZE6-013	OIL SEAL, 22X35X6	1	
<u>Ref</u>	<u>Partnumber</u>	<u>Description</u>	<u>GX120T1</u>	<u>Serial Numbers</u>
014	91202-ZE6-013	OIL SEAL, 22X35X6	1	
017	94101-06800	WASHER, PLAIN, 6MM	2	
018	94251-08000	PIN, LOCK, 8MM	1	

GX120T1 (ARL)

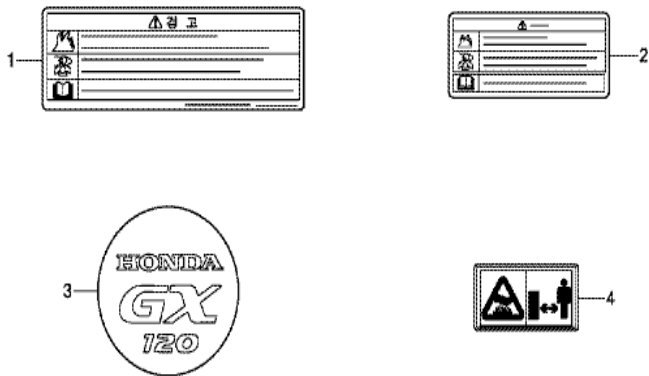
E-40 OTHER PARTS (1)



Z0S0E4060D

Ref	Partnumber	Description	GX120T1	Serial Numbers
001	16910-GB2-005	STRAINER COMP., FUEL	1	
002	90001-ZK7-V00	BOLT, STUD, 10X32	3	
003	90002-ZK7-V00	BOLT, STUD, 10X60	1	
004	94050-10000	NUT, FLANGE, 10MM	4	
005	95002-4085008	CLAMP, TUBE (D8.5)	2	

GX120T1 (ARL)	E-40-1 OTHER PARTS (2)
---------------	------------------------

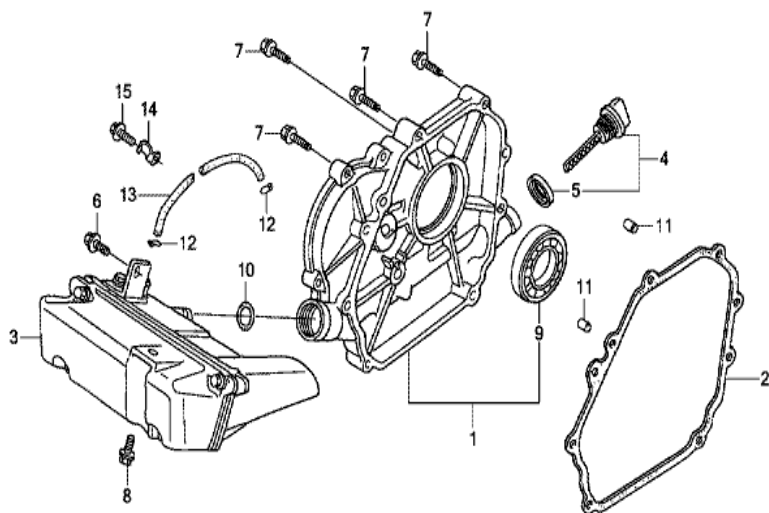


Z0S0E40G1A

Ref	Partnumber	Description	GX120T1	Serial Numbers
001	87516-Z0S-800	MARK, OPERATOR CAUTION	1	

GX120T1(ARL)

E-6-1 CRANKCASE COVER (2)

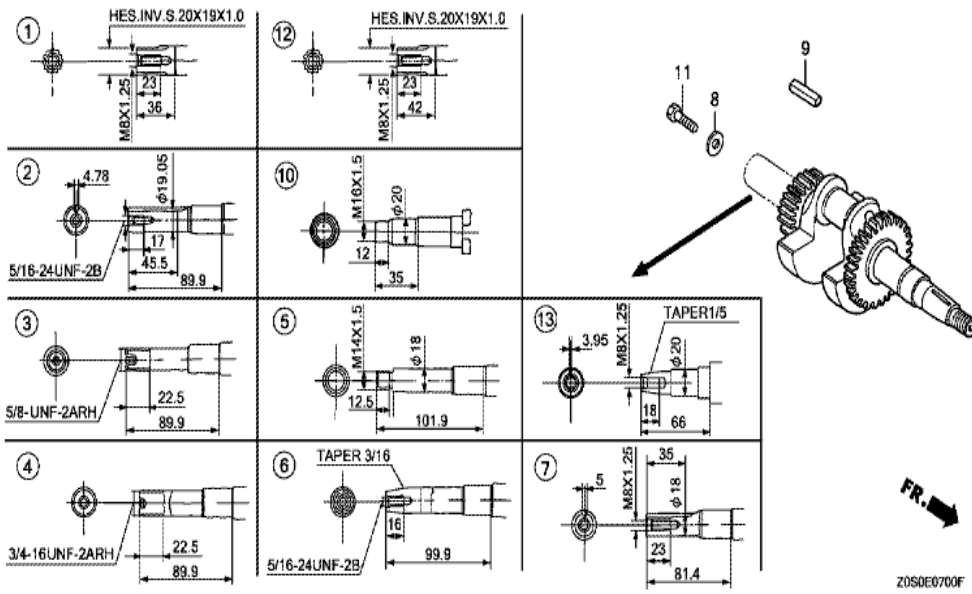


Z0S0E0001A

<u>Ref</u>	<u>Partnumber</u>	<u>Description</u>	<u>GX120T1</u>	<u>Serial Numbers</u>
001	11300-ZK7-V00	COVER ASSY., CRANKCASE	1	
002	11381-ZK7-V00	PACKING, CASE COVER	1	
003	15500-ZK7-V00	TANK ASSY., OIL	1	
004	15600-ZOT-810	CAP ASSY., OIL FILLER (GAUGE) (GRAY)	1	
005	15625-ZOT-800	PACKING, OIL FILLER CAP	1	
006	90014-952-000	BOLT, FLANGE, 6X14 (CT200)	1	
007	90015-883-000	BOLT, FLANGE, 6X28 (CT200)	7	
008	90029-888-000	BOLT, FLANGE, 6X16 (CT200)	1	
009	91001-878-003	BEARING, RADIAL BALL,	1	
010	91304-MJ0-003	O-RING, 15.8X2.4 (SHOWA)	1	
011	94303-08140	DOWEL PIN, 8X14	2	
012	95002-02070	CLIP, TUBE (B7)	2	
013	95005-3515010	TUBE, 3.5X150 (95005-35001-10M)	1	
<u>Ref</u>	<u>Partnumber</u>	<u>Description</u>	<u>GX120T1</u>	<u>Serial Numbers</u>
014	16106-KW7-900	CLIP B, TUBE	1	
015	90013-883-000	BOLT, FLANGE, 6X12 (CT200)	1	

GX120T1 (ARL)

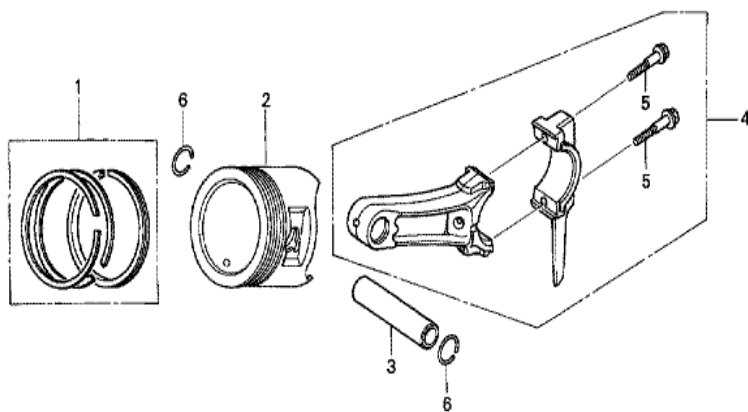
E-7 CRANKSHAFT



Ref	Partnumber	Description	GX120T1	Serial Numbers
012	13310-Z4H-V00	CRANKSHAFT COMP.	1	

GX120T1(ARL)

E-8 PISTON



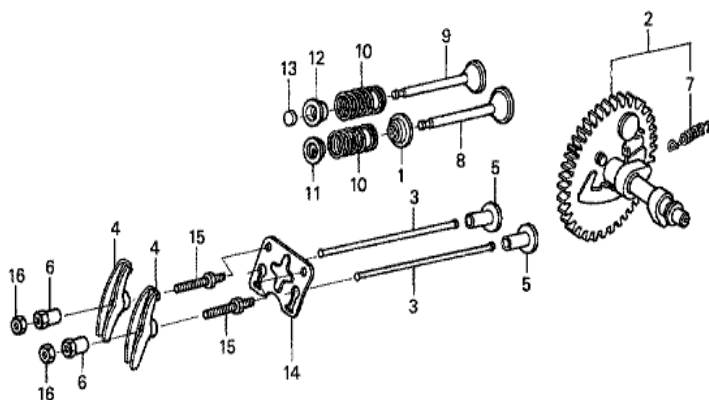
Z0S0-E0800



Ref	Partnumber	Description	GX120T1	Serial Numbers
001	13010-Z4F-004	RING SET, PISTON (STD.) (TEIKOKU)	1	1659243
001	13010-Z4F-004	RING SET, PISTON (STD.) (TEIKOKU)	1	
001	13011-Z4F-004	RING SET, PISTON (0.25) (TEIKOKU)	(1)	1659243
001	13011-Z4F-004	RING SET, PISTON (0.25) (TEIKOKU)	(1)	
001	13012-Z4F-004	RING SET, PISTON (0.50) (TEIKOKU)	(1)	1659243
001	13012-Z4F-004	RING SET, PISTON (0.50) (TEIKOKU)	(1)	
001	13013-Z4F-004	RING SET, PISTON (0.75) (TEIKOKU)	(1)	1659243
001	13013-Z4F-004	RING SET, PISTON (0.75) (TEIKOKU)	(1)	
002	13101-ZH7-020	PISTON (STD.)	1	1703280
002	13101-ZH7-020	PISTON (STD.)	1	
002	13102-ZH7-020	PISTON (0.25)	(1)	1703280
002	13102-ZH7-020	PISTON (0.25)	(1)	
002	13102-ZH7-020	PISTON (0.25)	(1)	
<u>Ref</u>	<u>Partnumber</u>	<u>Description</u>	<u>GX120T1</u>	<u>Serial Numbers</u>
002	13103-ZH7-020	PISTON (0.50)	(1)	1703280
002	13103-ZH7-020	PISTON (0.50)	(1)	
002	13103-ZH7-020	PISTON (0.50)	(1)	
002	13104-ZH7-020	PISTON (0.75)	(1)	1703280
002	13104-ZH7-020	PISTON (0.75)	(1)	
002	13104-ZH7-020	PISTON (0.75)	(1)	
003	13111-ZE0-000	PIN, PISTON	1	
004	13200-Z0S-800	ROD ASSY., CONNECTING	1	
005	90001-ZE1-000	BOLT, CONNECTING ROD	2	
006	90551-ZE0-000	CLIP, PISTON PIN, 13MM	2	

GX120T1(ARL)

E-9 CAMSHAFT



Z0S0-E0900

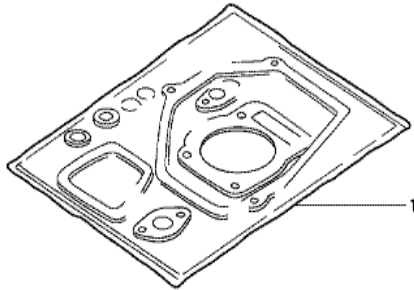
FR. →

<u>Ref</u>	<u>Partnumber</u>	<u>Description</u>	<u>GX120T1</u>	<u>Serial Numbers</u>
001	12209-ZH8-003	SEAL, VALVE STEM	1	
001	12209-ZH8-003	SEAL, VALVE STEM	1	
002	14100-ZH7-B20	CAMSHAFT ASSY.	1	
002	14100-ZH7-B20	CAMSHAFT ASSY.	1	
003	14410-ZE0-010	ROD, PUSH	2	
004	14431-ZE1-000	ARM, VALVE ROCKER	2	
005	14441-ZE1-010	LIFTER, VALVE	2	
006	14451-ZE1-013	PIVOT, ROCKER ARM	2	
006	14451-ZE1-013	PIVOT, ROCKER ARM	2	
007	14568-ZE1-000	SPRING, WEIGHT RETURN	1	
008	14711-ZF0-010	VALVE, IN.	1	
008	14711-ZF0-010	VALVE, IN.	1	
009	14721-ZF0-000	VALVE, EX.	1	
<u>Ref</u>	<u>Partnumber</u>	<u>Description</u>	<u>GX120T1</u>	<u>Serial Numbers</u>
009	14721-ZF0-000	VALVE, EX.	1	
010	14751-ZF1-000	SPRING, VALVE	2	
011	14771-ZE1-000	RETAINER, IN. VALVE SPRING	1	
011	14771-ZE1-000	RETAINER, IN. VALVE SPRING	1	
011	14771-ZE1-000	RETAINER, IN. VALVE SPRING	1	
012	14773-Z4X-000	RETAINER, EX. VALVE SPRING	1	
012	14773-Z4X-000	RETAINER, EX. VALVE SPRING	1	
012	14773-Z4X-000	RETAINER, EX. VALVE SPRING	1	
012	14773-Z4X-000	RETAINER, EX. VALVE SPRING	1	
013	14781-ZE1-000	ROTATOR, VALVE	1	
014	14791-ZE0-010	PLATE, PUSH ROD GUIDE	1	
015	90012-ZE0-010	BOLT, PIVOT, 8MM	2	
016	90206-ZE1-000	NUT, PIVOT ADJUSTING	2	



GX120T1(ARL)

EOP-1 GASKET KIT



HENG-X0003

<u>Ref</u>	<u>Partnumber</u>	<u>Description</u>	<u>GX120T1</u>	<u>Serial Numbers</u>
001	06111-ZK7-U30	GASKET KIT	(1)	