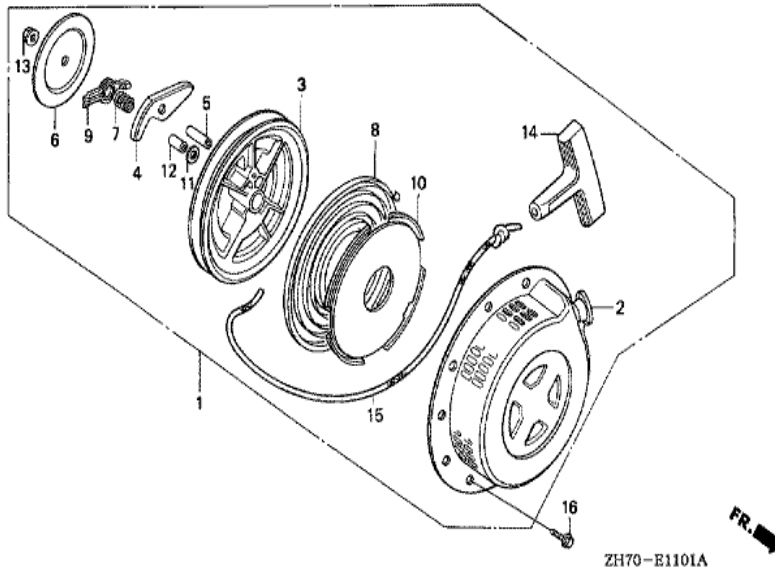
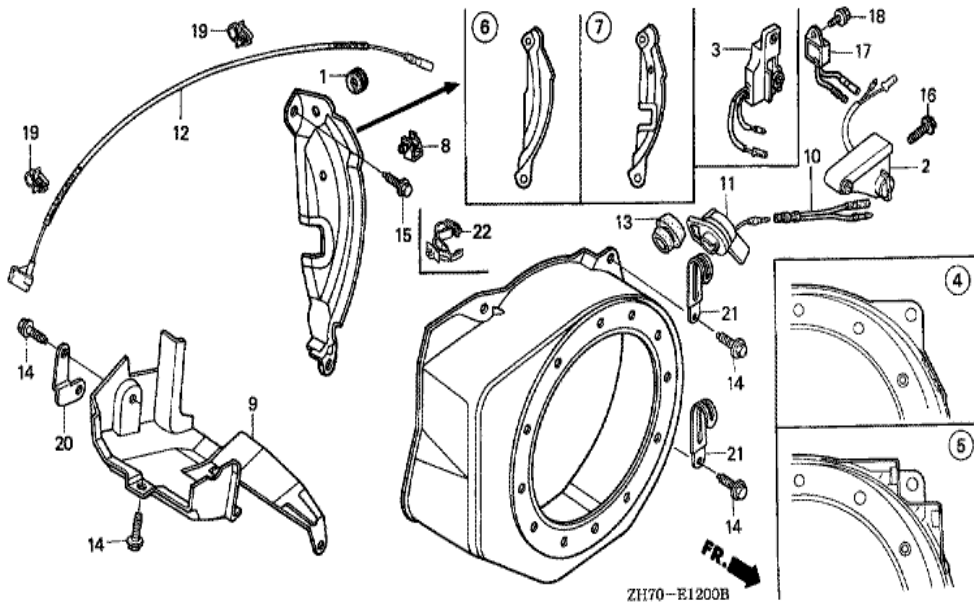




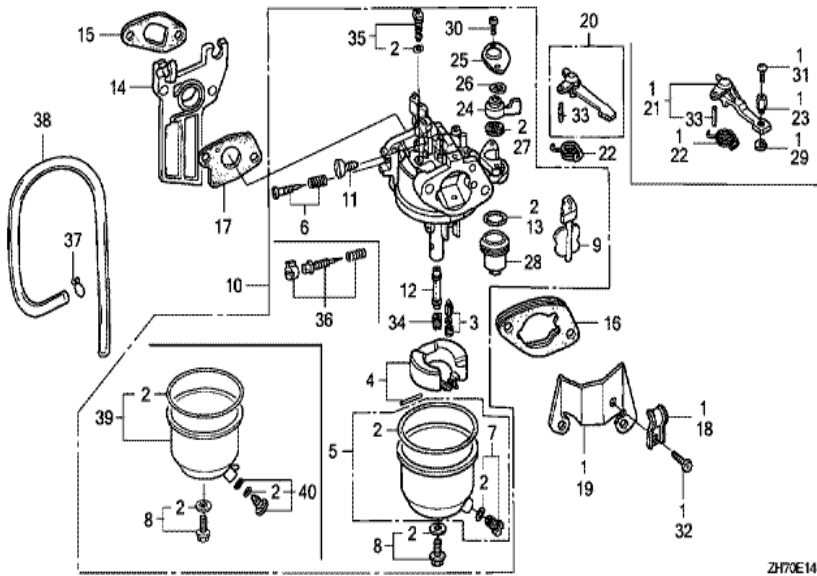
| Ref | Partnumber | Description | GX120K1 | Serial Numbers |
|------------|-------------------|----------------------------------|----------------|-----------------------|
| 001 | 28400-ZH8-013ZA | STARTER ASSY., RECOIL *R8 * | 1 | 4142273 |
| 001 | 28400-ZH8-013ZA | STARTER ASSY., RECOIL *R8 * | 1 | 2169650 3463997 |
| 002 | 28410-ZH8-003ZA | CASE COMP., RECOIL STARTER *R8 * | 1 | 4142273 |
| 002 | 28410-ZH8-003ZA | CASE COMP., RECOIL STARTER *R8 * | 1 | 3463997 |
| 003 | 28420-ZH8-003 | REEL, RECOIL STARTER (BLACK) | 1 | 2169649 |
| 003 | 28420-ZH8-013 | REEL, RECOIL STARTER (NATURAL) | 1 | 2169650 |
| 003 | 28420-ZH8-013 | REEL, RECOIL STARTER (NATURAL) | 1 | 2169650 3463997 |
| 004 | 28422-ZH8-003 | RATCHET, STARTER | 2 | 2169649 |
| 004 | 28422-ZH8-013 | RATCHET, STARTER | 2 | 2169650 |
| 004 | 28422-ZH8-013 | RATCHET, STARTER | 2 | 2169650 3463997 |
| 005 | 28433-ZH8-003 | GUIDE, RATCHET | 1 | |
| 005 | 28433-ZH8-003 | GUIDE, RATCHET | 1 | 3463997 |
| 006 | 28441-ZH8-003 | SPRING, FRICTION | 1 | |
| <u>Ref</u> | <u>Partnumber</u> | <u>Description</u> | <u>GX120K1</u> | <u>Serial Numbers</u> |
| 006 | 28441-ZH8-003 | SPRING, FRICTION | 1 | 3463997 |
| 007 | 28442-ZH8-003 | SPRING, RECOIL STARTER | 1 | |
| 007 | 28442-ZH8-003 | SPRING, RECOIL STARTER | 1 | 3463997 |
| 008 | 28443-ZH8-003 | SPRING, RETURN | 2 | |
| 008 | 28443-ZH8-003 | SPRING, RETURN | 2 | 3463997 |
| 009 | 28461-ZH8-003 | GRIP, STARTER | 1 | |
| 009 | 28461-ZH8-003 | GRIP, STARTER | 1 | 3463997 |
| 010 | 28462-ZH8-003 | ROPE, RECOIL STARTER | 1 | |
| 010 | 28462-ZH8-003 | ROPE, RECOIL STARTER | 1 | 3463997 |
| 012 | 90003-ZH8-003 | SCREW, SETTING | 1 | |
| 012 | 90003-ZH8-003 | SCREW, SETTING | 1 | 3463997 |
| 013 | 95701-0600800 | BOLT, FLANGE, 6X8 | (3) | |
| 013 | 95701-0600800 | BOLT, FLANGE, 6X8 | 3 | 3463997 |



| <u>Ref</u> | <u>Partnumber</u> | <u>Description</u> | <u>GX120K1</u> | <u>Serial Numbers</u> |
|------------|-------------------|------------------------------------|----------------|-----------------------|
| 001 | 28400-ZE1-003ZA | STARTER ASSY., RECOIL *R8 * | 1 | 3463998 4142273 |
| 001 | 28400-ZE1-003ZF | STARTER ASSY., RECOIL *R280 * | 1 | 4142274 |
| 002 | 28410-ZE1-003ZA | CASE COMP., RECOIL STARTER *R8 * | 1 | 3463998 4142273 |
| 002 | 28410-ZE1-003ZF | CASE COMP., RECOIL STARTER *R280 * | 1 | 4142274 |
| 003 | 28420-ZE1-003 | PULLEY, RECOIL STARTER | 1 | 3463998 |
| 004 | 28422-ZE1-003 | RATCHET, STARTER | 1 | 3463998 |
| 005 | 28423-ZE1-003 | PIN, STARTER RATCHET | 1 | 3463998 |
| 006 | 28431-ZE1-003 | PLATE, FRICTION | 1 | 3463998 |
| 007 | 28441-ZE1-003 | SPRING, FRICTION | 1 | 3463998 |
| 008 | 28442-ZE1-003 | SPRING, RECOIL STARTER | 1 | 3463998 |
| 009 | 28443-ZE1-003 | GUIDE, RATCHET | 1 | 3463998 |
| 010 | 28445-ZE1-003 | CASE, RECOIL STARTER SPRING | 1 | 3463998 |
| 011 | 28446-ZE1-003 | WASHER, STARTER | 1 | 3463998 |
| <u>Ref</u> | <u>Partnumber</u> | <u>Description</u> | <u>GX120K1</u> | <u>Serial Numbers</u> |
| 012 | 28447-ZE1-003 | SHAFT, SUB | 1 | 3463998 |
| 013 | 28448-ZE1-003 | NUT | 1 | 3463998 |
| 014 | 28461-ZE1-003 | KNOB, RECOIL STARTER | 1 | 3463998 |
| 015 | 28462-ZE1-003 | ROPE, RECOIL STARTER | 1 | 3463998 |
| 016 | 90008-ZE2-003 | BOLT, FLANGE, 6X10 | 3 | 3463998 |



| <u>Ref</u> | <u>Partnumber</u> | <u>Description</u> | <u>GX120K1</u> | <u>Serial Numbers</u> |
|------------|-------------------|----------------------------|----------------|-----------------------|
| 001 | 11347-371-300 | GROMMET, ADJUSTING COVER | 1 | |
| 004 | 19610-ZE0-000ZA | COVER COMP., FAN *R8 * | 1 | 4142673 |
| 004 | 19610-ZE0-000ZA | COVER COMP., FAN *R8 * | 1 | 4142673 |
| 004 | 19610-ZE0-000ZS | COVER COMP., FAN *R280 * | 1 | 4142674 |
| 004 | 19610-ZE0-000ZS | COVER COMP., FAN *R280 * | 1 | 4142674 |
| 006 | 19612-ZH7-000 | PLATE, SIDE (STD.) | (1) | |
| 006 | 19612-ZH7-000 | PLATE, SIDE (STD.) | 1 | |
| 009 | 19630-ZH7-000 | SHROUD COMP. | 1 | |
| 011 | 36100-ZE1-015 | SWITCH ASSY., ENGINE STOP | 1 | 2867760 |
| 011 | 36100-ZE1-015 | SWITCH ASSY., ENGINE STOP | 1 | |
| 012 | 36101-ZE1-010 | CORD, STOP SWITCH (370MM) | 1 | |
| 014 | 90013-883-000 | BOLT, FLANGE, 6X12 (CT200) | 4 | |
| 014 | 90013-883-000 | BOLT, FLANGE, 6X12 (CT200) | 6 | |
| <u>Ref</u> | <u>Partnumber</u> | <u>Description</u> | <u>GX120K1</u> | <u>Serial Numbers</u> |
| 015 | 90022-888-010 | BOLT, FLANGE, 6X20 (CT200) | 1 | |



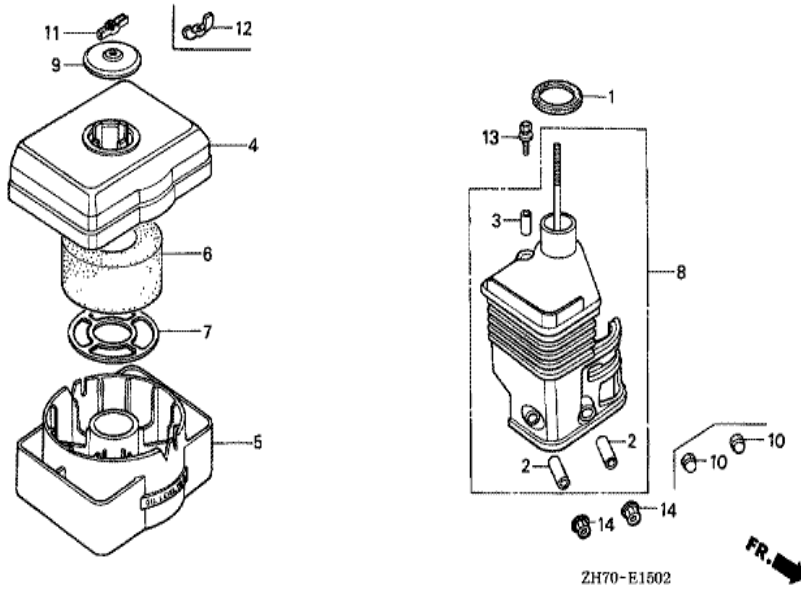
ZH70E1401B



| Ref | Partnumber | Description | GX120K1 | Serial Numbers |
|-----|---------------|--------------------|---------|----------------|
| 002 | 16010-ZE1-812 | GASKET SET | (1) | |
| 002 | 16010-ZE1-812 | GASKET SET | 1 | |
| 003 | 16011-ZE0-005 | VALVE SET, FLOAT | 1 | |
| 004 | 16013-ZE0-005 | FLOAT SET | 1 | |
| 005 | 16015-ZE0-831 | CHAMBER SET, FLOAT | 1 | BE12A B |
| 005 | 16015-ZE0-831 | CHAMBER SET, FLOAT | 1 | BE12A C |
| 005 | 16015-ZE1-811 | CHAMBER SET, FLOAT | 1 | BE60B A |
| 005 | 16015-ZE1-811 | CHAMBER SET, FLOAT | 1 | BE12A B |
| 005 | 16015-ZE1-811 | CHAMBER SET, FLOAT | 1 | BE12A B |
| 006 | 16016-ZE0-005 | SCREW SET, PILOT | 1 | |
| 007 | 16024-ZE1-811 | SCREW SET, DRAIN | 1 | |
| 008 | 16028-ZE0-005 | SCREW SET | 1 | |
| 009 | 16044-ZE0-005 | CHOKE SET | 1 | |

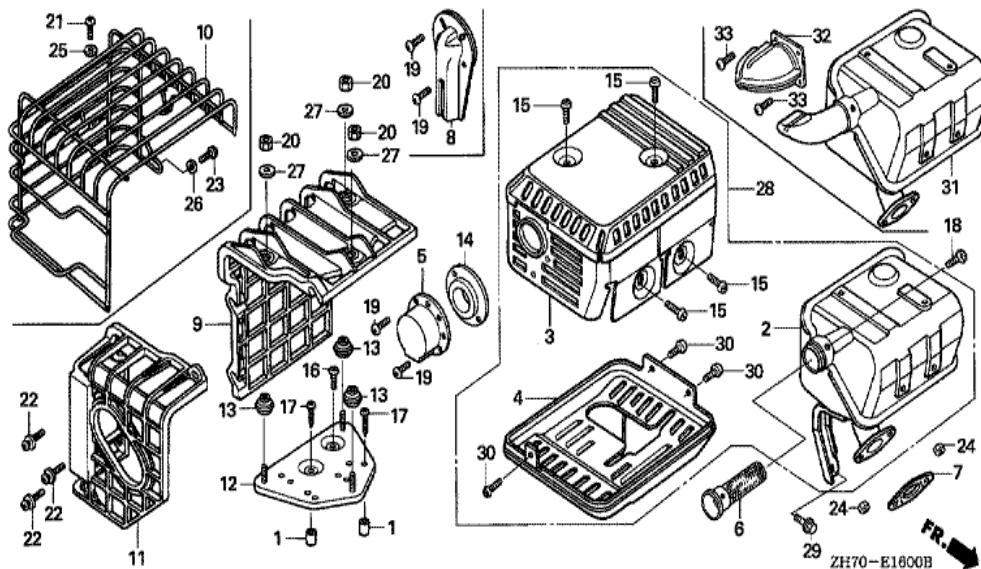
| <u>Ref</u> | <u>Partnumber</u> | <u>Description</u> | <u>GX120K1</u> | <u>Serial Numbers</u> |
|------------|-------------------|----------------------------|----------------|-----------------------|
| 009 | 16044-ZE0-005 | CHOKE SET | 1 | BE12A B |
| 010 | 16100-ZH7-820 | CARBURETOR ASSY. (BE12A A) | 1 | 2354880 |
| 010 | 16100-ZH7-820 | CARBURETOR ASSY. (BE12A A) | 1 | 2354880 |
| 010 | 16100-ZH7-821 | CARBURETOR ASSY. (BE12A B) | 1 | 2354881 2724891 |
| 010 | 16100-ZH7-821 | CARBURETOR ASSY. (BE12A B) | 1 | 2354881 2724891 |
| 010 | 16100-ZH7-822 | CARBURETOR ASSY. (BE12A C) | 1 | 2724892 3491424 |
| 010 | 16100-ZH7-822 | CARBURETOR ASSY. (BE12A C) | 1 | 2724892 3056056 |
| 010 | 16100-ZH7-841 | CARBURETOR ASSY. (BE60L A) | 1 | 3056057 3491424 |
| 010 | 16100-ZH7-841 | CARBURETOR ASSY. (BE60L A) | 1 | 3056057 |
| 011 | 16124-ZE0-005 | SCREW, THROTTLE STOP | 1 | |
| 012 | 16166-ZH7-820 | NOZZLE, MAIN | 1 | BE12A A |
| 012 | 16166-ZH7-820 | NOZZLE, MAIN | 1 | BE12A A |
| 012 | 16166-ZH7-W50 | NOZZLE, MAIN | 1 | BE12A B |
| 012 | 16166-ZH7-W50 | NOZZLE, MAIN | 1 | BE12A B |
| 013 | 16173-001-004 | PACKING, FUEL STRAINER CUP | 1 | |
| 014 | 16211-ZE0-000 | INSULATOR, CARBURETOR | 1 | |
| 015 | 16212-ZH7-000 | PACKING, INSULATOR | 1 | 2272434 |
| 015 | 16212-ZH7-800 | PACKING, INSULATOR | 1 | |
| 015 | 16212-ZH7-800 | PACKING, INSULATOR | 1 | 2272435 |
| 016 | 16220-ZE1-020 | SPACER COMP., CARBURETOR | 1 | |
| 016 | 16220-ZE1-020 | SPACER COMP., CARBURETOR | 1 | |
| 017 | 16221-ZE1-000 | PACKING, CARBURETOR | 1 | |
| 017 | 16221-ZE1-000 | PACKING, CARBURETOR | 1 | 2272434 |
| 017 | 16221-ZH8-800 | PACKING, CARBURETOR | (1) | 2533057 |
| 017 | 16221-ZH8-800 | PACKING, CARBURETOR | 1 | 2272435 2533057 |
| 017 | 16221-ZH8-801 | PACKING, CARBURETOR | 1 | 2534177 |
| 017 | 16221-ZH8-801 | PACKING, CARBURETOR | 1 | 2533058 |
| 020 | 16610-ZE1-000 | LEVER COMP., CHOKE (STD.) | (1) | |
| 020 | 16610-ZE1-000 | LEVER COMP., CHOKE (STD.) | 1 | |
| 024 | 16953-ZE1-812 | LEVER, COCK | 1 | |
| 025 | 16954-ZE1-812 | PLATE, LEVER SETTING | 1 | BE12A C |
| 025 | 16954-ZE1-812 | PLATE, LEVER SETTING | 1 | |
| 026 | 16956-ZE1-811 | SPRING, COCK LEVER | 1 | |

| <u>Ref</u> | <u>Partnumber</u> | <u>Description</u> | <u>GX120K1</u> | <u>Serial Numbers</u> |
|------------|-------------------|---------------------|----------------|-----------------------|
| 027 | 16957-ZE1-812 | PACKING, FUEL COCK | 1 | |
| 028 | 16967-ZE0-811 | CUP, FUEL STRAINER | 1 | |
| 030 | 93500-030061H | SCREW, PAN, 3X6 | 2 | BE12A B |
| 030 | 93500-030061H | SCREW, PAN, 3X6 | 2 | BE12A C |
| 030 | 93500-030081G | SCREW, PAN, 3X8 | 2 | BE60B A |
| 030 | 93500-030081G | SCREW, PAN, 3X8 | 2 | BE12A B |
| 033 | 94305-20122 | PIN, SPRING, 2X12 | 1 | |
| 034 | 99101-ZF50550 | JET, MAIN, #55 | (1) | |
| 034 | 99101-ZF50550 | JET, MAIN, #55 | (1) | BE12A A |
| 034 | 99101-ZF50580 | JET, MAIN, #58 | (1) | |
| 034 | 99101-ZF50580 | JET, MAIN, #58 | (1) | BE12A A |
| 034 | 99101-ZF50600 | JET, MAIN, #60 | 1 | BE12A A |
| 034 | 99101-ZF50600 | JET, MAIN, #60 | 1 | BE12A A |
| 034 | 99101-ZH70600 | JET, MAIN, #60 | 1 | BE12A B BE12A C |
| 034 | 99101-ZH70600 | JET, MAIN, #60 | 1 | BE12A B BE12A C |
| 034 | 99101-ZH80580 | JET, MAIN, #58 | (1) | |
| 034 | 99101-ZH80580 | JET, MAIN, #58 | (1) | BE12A B |
| 034 | 99101-ZH80600 | JET, MAIN, #60 | 1 | BE12A B |
| 034 | 99101-ZH80600 | JET, MAIN, #60 | (1) | BE12A B |
| 034 | 99101-ZH80620 | JET, MAIN, #62 | 1 | |
| 034 | 99101-ZH80620 | JET, MAIN, #62 | 1 | BE60L A |
| 035 | 99204-ZE00350 | JET SET, PILOT, #35 | 1 | |

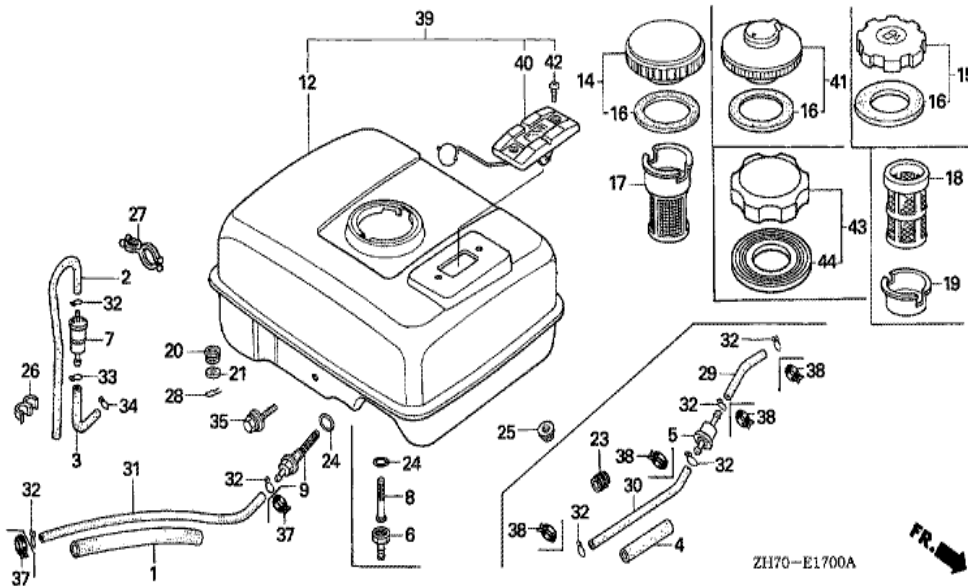


ZH70-E1502

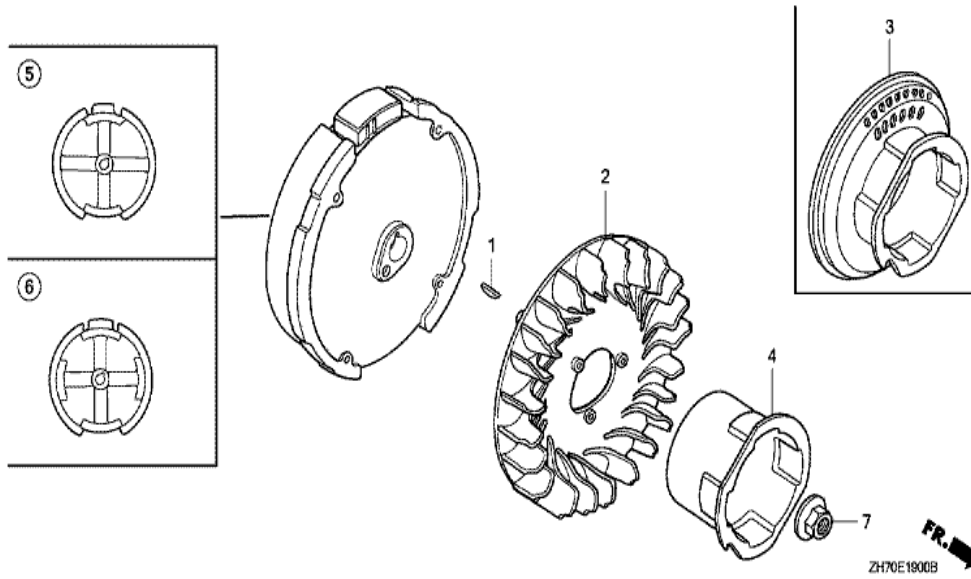
| <u>Ref</u> | <u>Partnumber</u> | <u>Description</u> | <u>GX120K1</u> | <u>Serial Numbers</u> |
|------------|-------------------|--|----------------|-----------------------|
| 001 | 16271-ZE1-000 | PACKING, ELBOW | 1 | |
| 002 | 17238-ZE0-010 | COLLAR, AIR CLEANER | 2 | |
| 003 | 17239-ZE1-000 | COLLAR B, AIR CLEANER | 1 | |
| 004 | 17401-ZE1-810 | BODY, CLEANER (OIL BATH) | 1 | |
| 005 | 17402-ZE1-810 | PAN, CLEANER OIL (OIL BATH) | 1 | |
| 006 | 17403-ZE1-810 | ELEMENT, AIR CLEANER (OIL BATH) | 1 | |
| 007 | 17404-841-000 | GRID, AIR CLEANER | 1 | |
| 008 | 17410-ZE0-811 | ELBOW COMP., AIR CLEANER | 1 | |
| 009 | 17421-ZE1-000 | CAP, CLEANER | 1 | |
| 010 | 90201-415-000 | NUT, CAP, 6MM | 2 | 2299856 |
| 011 | 90203-PB2-000 | NUT, AIR CLEANER COVER (DACRO COATING) | 1 | 2185869 |
| 011 | 90203-ZA0-800 | NUT, WING, 6MM (BLACK) | 1 | 2185870 3228266 |
| 011 | 90203-ZA0-800 | NUT, WING, 6MM (BLACK) | 1 | 2185870 2336263 |
| <u>Ref</u> | <u>Partnumber</u> | <u>Description</u> | <u>GX120K1</u> | <u>Serial Numbers</u> |
| 012 | 90325-044-000 | NUT, TOOL BOX SETTING | 1 | |
| 012 | 90325-044-000 | NUT, TOOL BOX SETTING | 1 | 2336264 |
| 013 | 93494-0602008 | BOLT-WASHER, 6X20 | 1 | |
| 014 | 94050-06000 | NUT, FLANGE, 6MM | 2 | |
| 014 | 94050-06000 | NUT, FLANGE, 6MM | 2 | 2299857 |



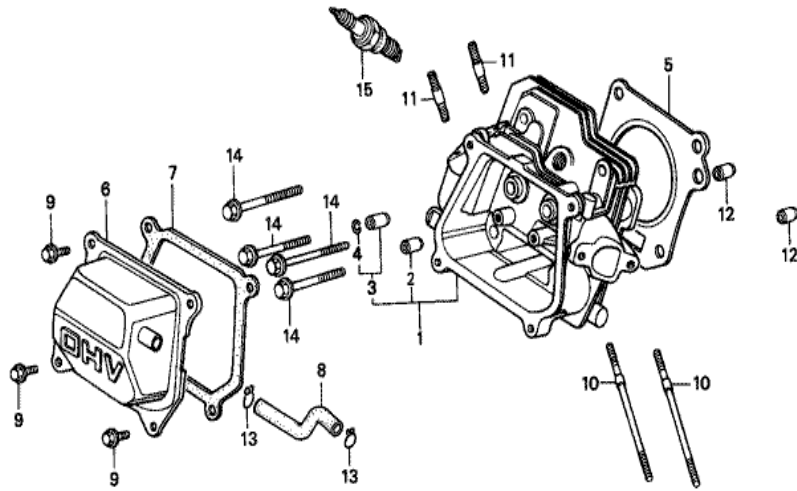
| Ref | Partnumber | Description | GX120K1 | Serial Numbers |
|-----|---------------|-----------------------------------|---------|-----------------|
| 002 | 18310-ZF1-000 | MUFFLER COMP. (STD.) | (1) | |
| 002 | 18310-ZF1-000 | MUFFLER COMP. (STD.) | 1 | |
| 003 | 18320-ZF1-H00 | PROTECTOR, MUFFLER (STD.) | 1 | 2029905 2470940 |
| 003 | 18320-ZF1-H00 | PROTECTOR, MUFFLER (STD.) | 1 | 2029905 2470940 |
| 003 | 18320-ZF1-H01 | PROTECTOR, MUFFLER (STD.) (BLACK) | 1 | 2470941 |
| 003 | 18320-ZF1-H01 | PROTECTOR, MUFFLER (STD.) (BLACK) | 1 | 2470941 |
| 003 | 18321-ZH8-000 | PROTECTOR, UPPER | (1) | 2029904 |
| 003 | 18321-ZH8-000 | PROTECTOR, UPPER | 1 | 2029904 |
| 005 | 18340-ZE1-010 | DEFLECTOR COMP. | 1 | |
| 007 | 18381-ZH8-000 | GASKET, MUFFLER | 1 | 2157159 |
| 007 | 18381-ZH8-800 | GASKET, MUFFLER | 1 | 2157160 |
| 007 | 18381-ZH8-800 | GASKET, MUFFLER | 1 | 2157160 |
| 014 | 18522-ZE1-000 | GUIDE, MUFFLER | 1 | |
| Ref | Partnumber | Description | GX120K1 | Serial Numbers |
| 015 | 90050-ZE1-000 | SCREW, TAPPING, 5X8 | 4 | |
| 019 | 90002-ZG0-003 | SCREW, TAPPING, 4X8 | 2 | 2249341 |
| 019 | 90002-ZG0-003 | SCREW, TAPPING, 4X8 | 2 | 2288496 |
| 019 | 90055-ZE1-000 | SCREW, TAPPING, 4X6 | 2 | |
| 019 | 90055-ZE1-000 | SCREW, TAPPING, 4X6 | 2 | 2288495 |
| 024 | 94001-080000S | NUT, HEX., 8MM | 2 | |
| 024 | 94001-080000S | NUT, HEX., 8MM | 2 | |



| Ref | Partnumber | Description | GX120K1 | Serial Numbers |
|------------|-------------------|--|----------------|-----------------------|
| 001 | 16854-ZH8-000 | RUBBER, SUPPORTER (107MM) | 1 | |
| 009 | 16955-ZE1-000 | JOINT, FUEL TANK | 1 | |
| 012 | 17510-ZE0-020ZA | TANK COMP., FUEL *NH31 * | 1 | |
| 014 | 17620-ZE2-W00 | CAP COMP., FUEL FILLER (CHROME PLATED) | (1) | 2421922 |
| 014 | 17620-ZE2-W00 | CAP COMP., FUEL FILLER (CHROME PLATED) | 1 | |
| 014 | 17620-ZE2-W00 | CAP COMP., FUEL FILLER (CHROME PLATED) | 1 | 2421922 |
| 014 | 17620-ZE2-W00 | CAP COMP., FUEL FILLER (CHROME PLATED) | 1 | 2533058 |
| 015 | 17620-ZH7-013 | CAP COMP., FUEL FILLER | 1 | 3053130 |
| 015 | 17620-ZH7-013 | CAP COMP., FUEL FILLER | 1 | 2421923 2533057 |
| 016 | 17631-329-003 | PACKING, FUEL FILLER CAP (39X58X3) | 1 | |
| 016 | 17631-329-003 | PACKING, FUEL FILLER CAP (39X58X3) | 1 | 2421922 |
| 016 | 17631-329-003 | PACKING, FUEL FILLER CAP (39X58X3) | 1 | 2533058 |
| 016 | 17631-ZH7-003 | PACKING, FUEL FILLER CAP (39X58X3) | 1 | 2421923 4203082 |
| <u>Ref</u> | <u>Partnumber</u> | <u>Description</u> | <u>GX120K1</u> | <u>Serial Numbers</u> |
| 016 | 17631-ZH7-003 | PACKING, FUEL FILLER CAP (39X58X3) | 1 | 2421923 2533057 |
| 017 | 17672-ZE2-W00 | FILTER, FUEL | 1 | 1287119 |
| 017 | 17672-ZE2-W00 | FILTER, FUEL | 1 | 2187119 |
| 017 | 17672-ZE2-W01 | FILTER, FUEL | 1 | 2328483 |
| 017 | 17672-ZE2-W01 | FILTER, FUEL | 1 | 2328483 |
| 018 | 17672-880-000 | FILTER, FUEL | 1 | 2328482 |
| 018 | 17672-880-000 | FILTER, FUEL | 1 | 2187120 2328482 |
| 019 | 17673-893-000 | HOLDER, FUEL FILTER | 1 | |
| 019 | 17673-893-000 | HOLDER, FUEL FILTER | 1 | 2187120 2328482 |
| 024 | 91353-671-004 | O-RING, 14MM (NOK) | 1 | |
| 025 | 94050-06000 | NUT, FLANGE, 6MM | 2 | |
| 031 | 95001-4514040 | TUBE, FUEL, 4.5X140 (95001-45001-60M) | 1 | |
| 032 | 95002-02080 | CLIP, TUBE (B8) | 1 | |
| 032 | 95002-02080 | CLIP, TUBE (B8) | 2 | |
| 035 | 95900-0602500 | BOLT, FLANGE, 6X25 | (1) | |
| 035 | 95900-0602500 | BOLT, FLANGE, 6X25 | 1 | |



| Ref | Partnumber | Description | GX120K1 | Serial Numbers |
|-----|---------------|------------------------------|---------|----------------|
| 001 | 13331-357-000 | KEY, SPECIAL WOODRUFF, 25X18 | 1 | |
| 002 | 19511-ZE0-000 | FAN, COOLING | 1 | |
| 004 | 28451-ZE0-003 | PULLEY, STARTER | 1 | 3463998 |
| 004 | 28451-ZE0-003 | PULLEY, STARTER | 1 | 3463998 |
| 004 | 28451-ZH8-003 | PULLEY, STARTER | 1 | 3917140 |
| 004 | 28451-ZH8-003 | PULLEY, STARTER | 1 | 3463997 |
| 005 | 31100-ZE0-010 | FLYWHEEL COMP. | (1) | |
| 005 | 31100-ZE0-010 | FLYWHEEL COMP. | 1 | |
| 007 | 90201-878-003 | NUT, SPECIAL, 14MM | 1 | |

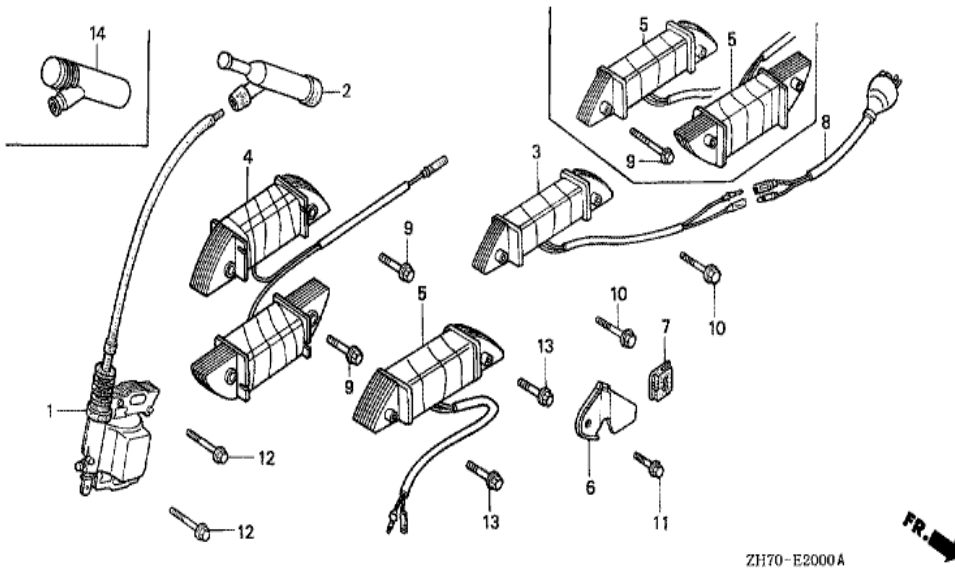


ZH70-B0200



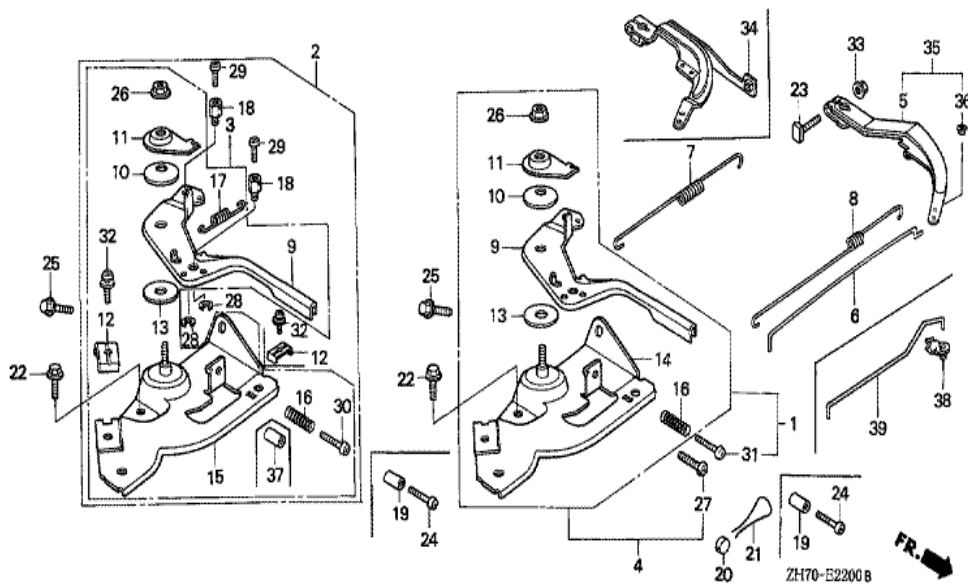
| Ref | Partnumber | Description | GX120K1 | Serial Numbers |
|-----|---------------|-----------------------|---------|----------------|
| 001 | 12210-ZH7-405 | HEAD COMP., CYLINDER | 1 | |
| 001 | 12210-ZH7-405 | HEAD COMP., CYLINDER | 1 | |
| 002 | 12204-ZE1-305 | GUIDE, IN. VALVE (OS) | (1) | 2156734 |
| 002 | 12204-ZE1-306 | GUIDE, IN. VALVE (OS) | (1) | 2156735 |
| 002 | 12204-ZE1-306 | GUIDE, IN. VALVE (OS) | (1) | 2156735 |
| 003 | 12205-ZE1-315 | GUIDE, EX. VALVE (OS) | (1) | |
| 004 | 12216-ZE5-300 | CLIP, VALVE GUIDE | 1 | |
| 005 | 12251-ZF0-000 | GASKET, CYLINDER HEAD | 1 | |
| 005 | 12251-ZF0-000 | GASKET, CYLINDER HEAD | 1 | 2157159 |
| 005 | 12251-ZH7-800 | GASKET, CYLINDER HEAD | 1 | 2157160 |
| 005 | 12251-ZH7-800 | GASKET, CYLINDER HEAD | 1 | 2157160 |
| 006 | 12310-ZE1-000 | COVER COMP., HEAD | 1 | |
| 006 | 12310-ZE1-000 | COVER COMP., HEAD | 1 | 2533057 |

| <u>Ref</u> | <u>Partnumber</u> | <u>Description</u> | <u>GX120K1</u> | <u>Serial Numbers</u> | |
|------------|-------------------|-------------------------------|----------------|-----------------------|---------|
| 006 | 12310-ZE1-010 | COVER COMP., HEAD | 1 | 2533058 | 3909674 |
| 006 | 12310-ZE1-010 | COVER COMP., HEAD | 1 | 2533058 | 3909674 |
| 006 | 12310-ZE1-020 | COVER COMP., HEAD | 1 | 3909675 | |
| 006 | 12310-ZE1-020 | COVER COMP., HEAD | 1 | 3909675 | |
| 007 | 12391-ZE1-000 | PACKING, HEAD COVER | 1 | | |
| 008 | 15721-ZH8-000 | TUBE, BREATHER | 1 | | |
| 008 | 15721-ZH8-000 | TUBE, BREATHER | 1 | | |
| 009 | 90013-883-000 | BOLT, FLANGE, 6X12 (CT200) | 4 | 2299857 | |
| 009 | 90016-ZE1-000 | BOLT, FLANGE, 6X13 (CT200) | 4 | | 2299856 |
| 009 | 90016-ZE1-000 | BOLT, FLANGE, 6X13 (CT200) | 4 | | 2299856 |
| 010 | 90043-ZE1-010 | BOLT, STUD, 6X109 | 2 | | 2400125 |
| 010 | 90043-ZE1-010 | BOLT, STUD, 6X109 | 2 | | 2400125 |
| 010 | 90043-ZE1-020 | BOLT, STUD, 6X112 | 2 | 2400126 | |
| 010 | 90043-ZE1-020 | BOLT, STUD, 6X112 | 2 | 2400126 | |
| 011 | 90047-ZE1-000 | BOLT, STUD, 8X32 | 2 | | |
| 012 | 94301-10160 | DOWEL PIN, 10X16 | 2 | | |
| 014 | 95723-0805500 | BOLT, FLANGE, 8X55 | 4 | | |
| 015 | 98079-56854 | PLUG, SPARK (W20EP-U) (DENSO) | 1 | | 3491424 |
| 015 | 98079-56854 | PLUG, SPARK (W20EP-U) (DENSO) | 1 | | |

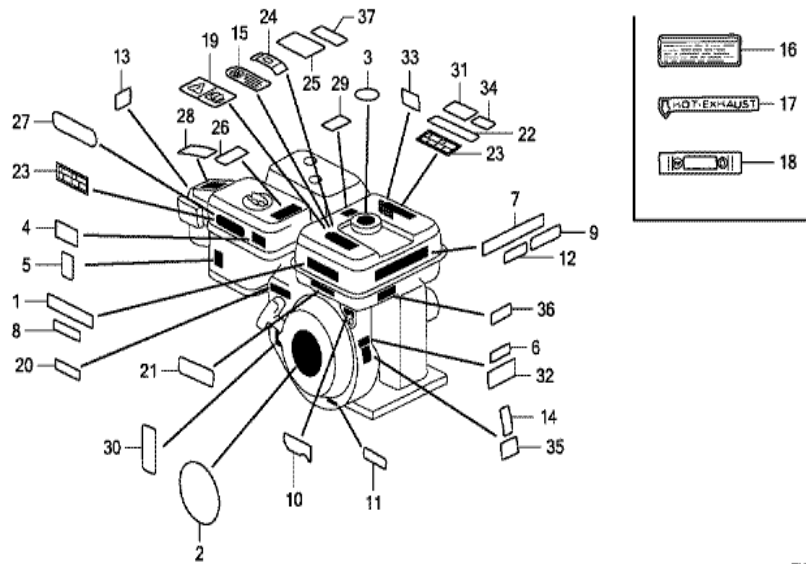


ZH70-E2000A

| Ref | Partnumber | Description | GX120K1 | Serial Numbers |
|-----|---------------|---|---------|----------------|
| 001 | 30500-ZE1-023 | COIL ASSY., IGNITION | 1 | 2400125 |
| 001 | 30500-ZE1-033 | COIL ASSY., IGNITION | 1 | 2400126 |
| 001 | 30500-ZE1-033 | COIL ASSY., IGNITION | 1 | 2400126 |
| 002 | 30600-ZE1-013 | TERMINAL ASSY., HIGH TENSION (NICHIIWA Y- | 1 | |
| 012 | 90121-952-000 | BOLT, FLANGE, 6X25 (CT200) | 2 | |

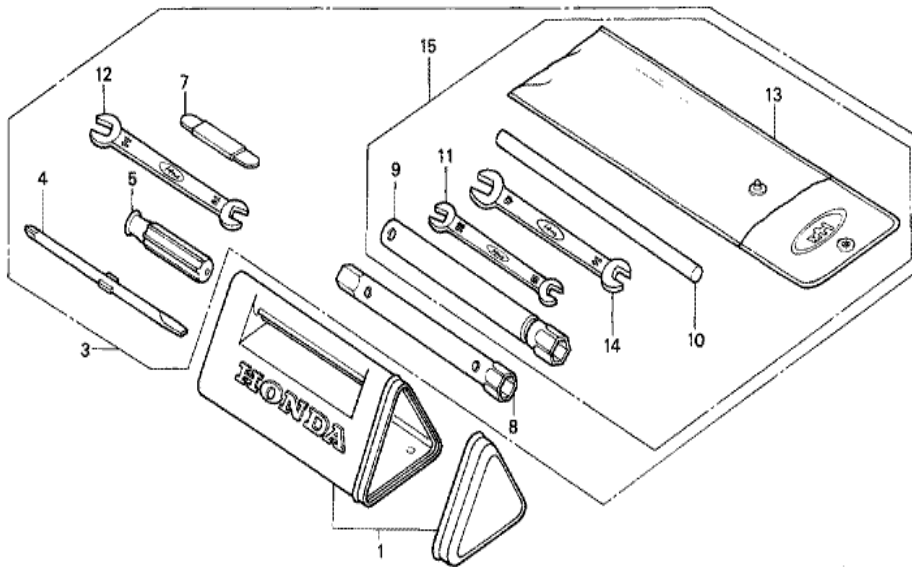


| Ref | Partnumber | Description | GX120K1 | Serial Numbers |
|-----|---------------|----------------------------|---------|----------------|
| 003 | 16500-ZH7-820 | CONTROL ASSY. (REMOTE) | 1 | |
| 005 | 16551-ZE0-010 | ARM, GOVERNOR | 1 | |
| 006 | 16555-ZE0-000 | ROD, GOVERNOR | 1 | |
| 007 | 16561-ZE0-020 | SPRING, GOVERNOR | 1 | |
| 008 | 16562-ZE0-020 | SPRING, THROTTLE RETURN | 1 | |
| 009 | 16571-ZH7-000 | LEVER, CONTROL | (1) | |
| 009 | 16571-ZH7-000 | LEVER, CONTROL | 1 | |
| 010 | 16574-ZE1-000 | SPRING, LEVER | 1 | |
| 011 | 16575-ZH8-000 | WASHER, CONTROL LEVER | 1 | |
| 012 | 16576-891-000 | HOLDER, CABLE | 1 | |
| 013 | 16578-ZE1-000 | SPACER, CONTROL LEVER | 1 | |
| 015 | 16580-ZH7-810 | BASE COMP., CONTROL (###) | 1 | |
| 015 | 16580-ZH7-810 | BASE COMP., CONTROL (###) | 1 | 3303356 |
| Ref | Partnumber | Description | GX120K1 | Serial Numbers |
| 016 | 16584-883-300 | SPRING, CONTROL ADJUSTING | 1 | |
| 017 | 16592-ZE1-810 | SPRING, CABLE RETURN | 1 | |
| 022 | 90013-883-000 | BOLT, FLANGE, 6X12 (CT200) | 1 | |
| 023 | 90015-ZE5-010 | BOLT, GOVERNOR ARM | 1 | |
| 025 | 90022-888-010 | BOLT, FLANGE, 6X20 (CT200) | 1 | |
| 026 | 90114-SA0-000 | NUT, SELF-LOCK, 6MM | 1 | |
| 030 | 93500-050250H | SCREW, PAN, 5X25 | (1) | |
| 030 | 93500-050250H | SCREW, PAN, 5X25 | 1 | |
| 032 | 93500-050160A | SCREW, PAN, 5X16 | 1 | 2308557 |
| 032 | 93500-050160A | SCREW, PAN, 5X16 | 1 | 2311705 |
| 032 | 93893-0501600 | SCREW-WASHER, 5X16 | 1 | 2311704 |
| 032 | 93893-0501600 | SCREW-WASHER, 5X16 | 1 | 2311704 |
| 033 | 94050-06000 | NUT, FLANGE, 6MM | 1 | |



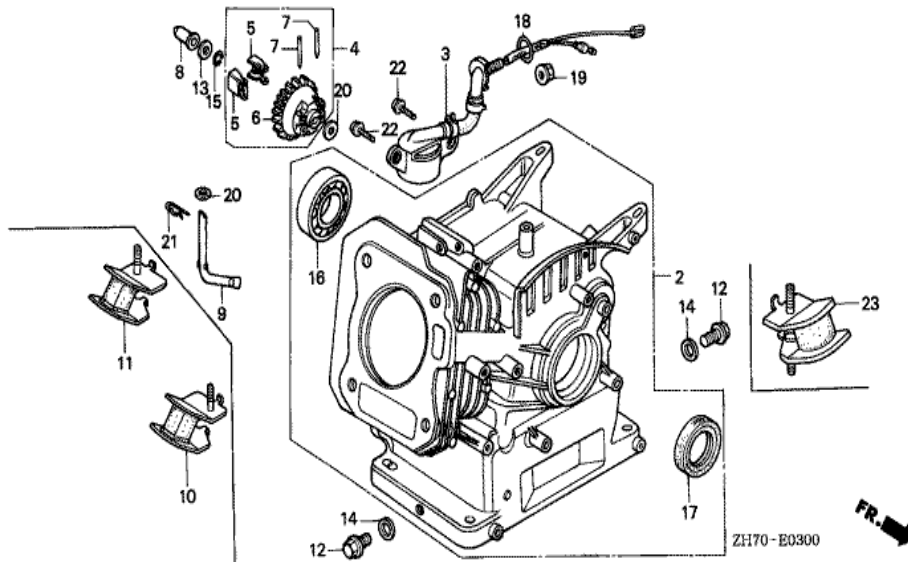
ZH70E2800E

| Ref | Partnumber | Description | GX120K1 | Serial Numbers |
|------------|-------------------|--|----------------|-----------------------|
| 001 | 87522-ZH9-820 | LABEL, CAUTION (THAI) | 1 | 4411054 |
| 001 | 87522-ZH9-820 | LABEL, CAUTION (THAI) | 1 | 4411054 |
| 001 | 87522-ZH9-821 | LABEL, CAUTION (THAI) | 1 | 4411055 |
| 001 | 87522-ZH9-821 | LABEL, CAUTION (THAI) | 1 | 4411055 |
| 002 | 87521-ZH7-830 | EMBLEM (THAI) | (1) | 2185869 |
| 002 | 87521-ZH7-830 | EMBLEM (THAI) | 1 | 2185869 |
| 002 | 87521-ZH7-831 | EMBLEM (THAI) | 1 | 2185870 3463997 |
| 002 | 87521-ZH7-831 | EMBLEM (THAI) | 1 | 2185870 3463997 |
| 002 | 87521-ZH7-Y10 | EMBLEM | 1 | 3463998 4142273 |
| 002 | 87521-ZH7-Y10 | EMBLEM | 1 | 3463998 4142273 |
| 002 | 87521-ZH7-Y11 | EMBLEM | 1 | 4142274 |
| 002 | 87521-ZH7-Y11 | EMBLEM | 1 | 4142274 |
| 003 | 87522-ZE1-810 | MARK, CAUTION | 1 | 2421922 |
| <u>Ref</u> | <u>Partnumber</u> | <u>Description</u> | <u>GX120K1</u> | <u>Serial Numbers</u> |
| 003 | 87522-ZE1-810 | MARK, CAUTION | 1 | 2400126 |
| 004 | 87524-883-690 | MARK, AIR CLEANER CAUTION (OIL BATH) (AR | 1 | |
| 005 | 87528-ZE1-690 | MARK, CHOKE (THAI) | (1) | |
| 005 | 87528-ZE1-690 | MARK, CHOKE (THAI) | 1 | |
| 006 | 87530-ZH7-830 | LABEL, SPECIFICATION (THAI) | (1) | 2299936 |
| 006 | 87530-ZH7-830 | LABEL, SPECIFICATION (THAI) | 1 | 2299936 |

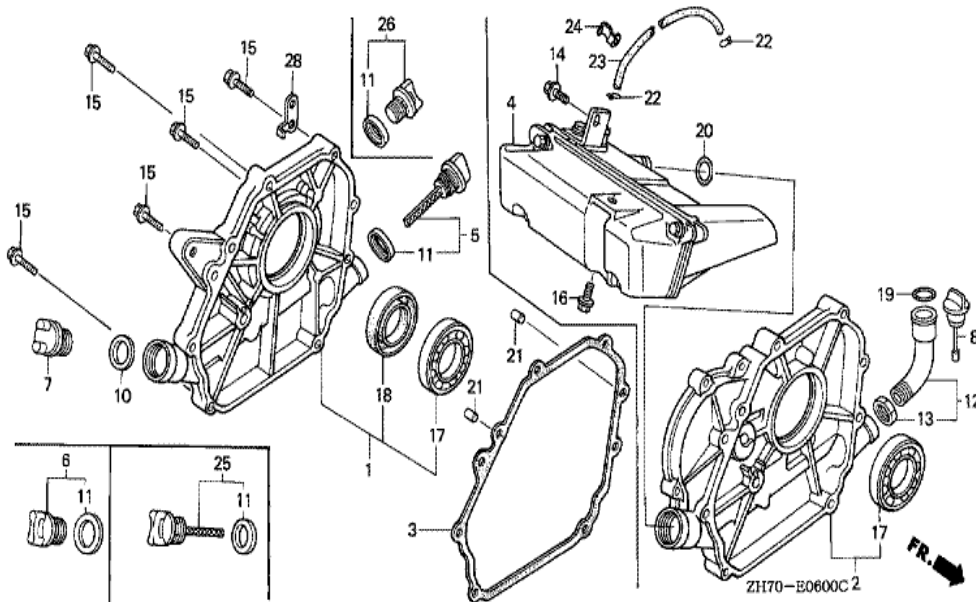


ZH70-E2901

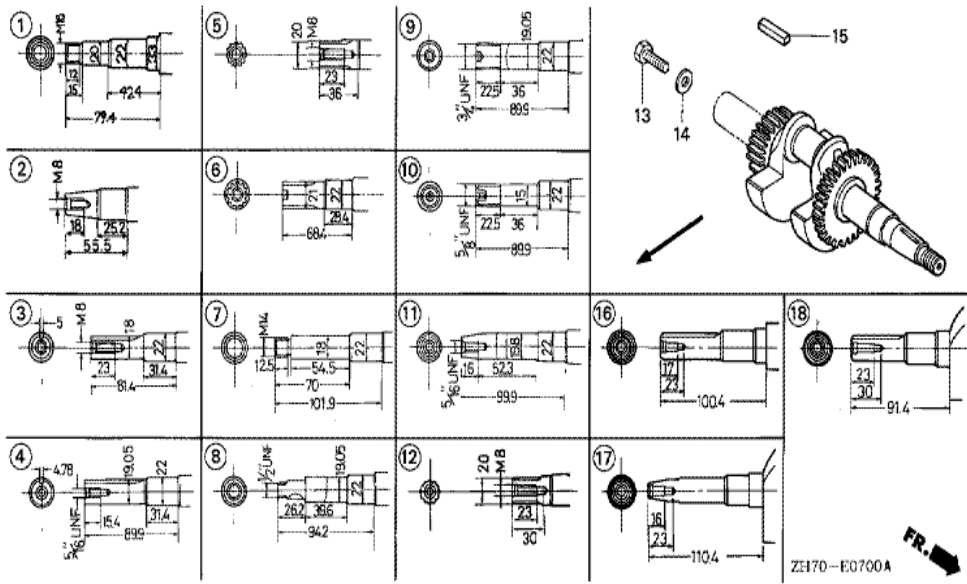
| Ref | Partnumber | Description | GX120K1 | Serial Numbers |
|-----|---------------|--------------------------|---------|----------------|
| 001 | 83501-ZF1-000 | BOX, TOOL | 1 | |
| 003 | 89001-ZF1-000 | BAG SET, TOOL | 1 | 3070123 |
| 003 | 89001-ZF1-000 | BAG SET, TOOL | 1 | |
| 004 | 89102-538-000 | DRIVER, SCREW (NO.2 + -) | 1 | |
| 005 | 89103-538-000 | GRIP | 1 | |
| 007 | 89210-ZF1-000 | GAUGE ASSY., THICKNESS | 1 | |
| 008 | 89216-ZF1-000 | WRENCH, BOX | 1 | |
| 009 | 89218-ZE1-000 | WRENCH COMP., SPARK PLUG | 1 | |
| 010 | 89219-805-000 | HANDLE, BOX WRENCH | 1 | |
| 011 | 99001-10120 | SPANNER, 10X12 | 1 | |
| 012 | 99001-10140 | SPANNER, 10X14 | 1 | |
| 013 | 99008-02300 | BAG, TOOL, 230MM | 1 | |



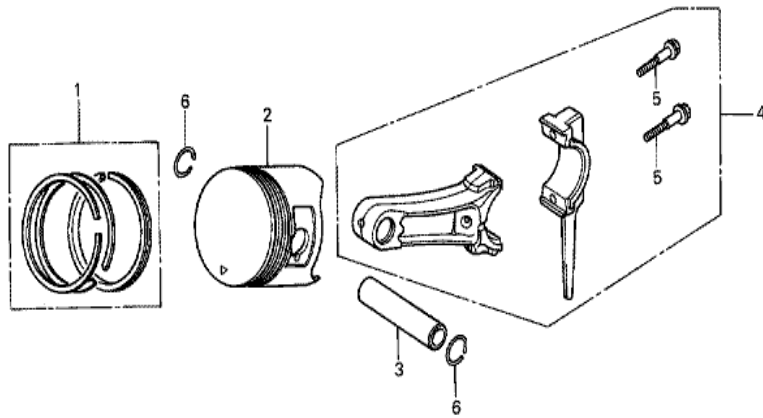
| <u>Ref</u> | <u>Partnumber</u> | <u>Description</u> | <u>GX120K1</u> | <u>Serial Numbers</u> |
|------------|-------------------|----------------------------|----------------|-----------------------|
| 002 | 12000-ZF0-415 | BARREL ASSY., CYLINDER | (1) | 4205163 |
| 002 | 12000-ZF0-415 | BARREL ASSY., CYLINDER | 1 | 4205163 |
| 002 | 12000-ZF0-425 | BARREL ASSY., CYLINDER | 1 | 4205164 |
| 002 | 12000-ZF0-425 | BARREL ASSY., CYLINDER | 1 | 4205164 |
| 004 | 16510-ZE1-000 | GOVERNOR ASSY. | 1 | |
| 005 | 16511-ZE1-000 | WEIGHT, GOVERNOR | 2 | |
| 006 | 16512-ZE1-000 | HOLDER, GOVERNOR WEIGHT | 1 | |
| 007 | 16513-ZE1-000 | PIN, GOVERNOR WEIGHT | 2 | |
| 008 | 16531-ZE1-000 | SLIDER, GOVERNOR | 1 | |
| 009 | 16541-ZE1-000 | SHAFT, GOVERNOR ARM | 1 | |
| 012 | 90131-ZE1-000 | BOLT, DRAIN PLUG | 2 | |
| 013 | 90451-ZE1-000 | WASHER, THRUST, 6MM | 1 | |
| 014 | 90601-ZE1-000 | WASHER, DRAIN PLUG, 10.2MM | 2 | |
| <u>Ref</u> | <u>Partnumber</u> | <u>Description</u> | <u>GX120K1</u> | <u>Serial Numbers</u> |
| 015 | 90602-ZE1-000 | CLIP, GOVERNOR HOLDER | 1 | |
| 016 | 91001-878-003 | BEARING, RADIAL BALL, | 1 | |
| 017 | 91202-ZE6-003 | OIL SEAL, 22X35X6 | 1 | |
| 017 | 91202-ZE6-003 | OIL SEAL, 22X35X6 | 1 | 4205163 |
| 017 | 91202-ZE6-013 | OIL SEAL, 22X35X6 | 1 | 4205164 |
| 017 | 91202-ZE6-013 | OIL SEAL, 22X35X6 | 1 | 4205164 |
| 020 | 94101-06800 | WASHER, PLAIN, 6MM | 2 | |
| 021 | 94251-08000 | PIN, LOCK, 8MM | 1 | |



| Ref | Partnumber | Description | GX120K1 | Serial Numbers |
|-----|---------------|----------------------------|---------|----------------|
| 001 | 11300-ZE0-640 | COVER ASSY., CRANKCASE | 1 | 4228308 |
| 001 | 11300-ZE0-640 | COVER ASSY., CRANKCASE | 1 | 4228308 |
| 001 | 11300-ZE0-641 | COVER ASSY., CRANKCASE | 1 | 4228309 |
| 001 | 11300-ZE0-641 | COVER ASSY., CRANKCASE | 1 | 4228309 |
| 003 | 11381-ZH7-800 | PACKING, CASE COVER | 1 | 2272435 |
| 003 | 11381-ZH7-800 | PACKING, CASE COVER | 1 | |
| 005 | 15600-ZF0-000 | CAP ASSY., OIL FILLER | 1 | 2354642 |
| 005 | 15600-ZF0-000 | CAP ASSY., OIL FILLER | 1 | 2354642 |
| 005 | 15600-ZF0-003 | CAP ASSY., OIL FILLER | 1 | 2354643 |
| 005 | 15600-ZF0-003 | CAP ASSY., OIL FILLER | 1 | 2354643 |
| 006 | 15600-ZG4-003 | CAP ASSY., OIL FILLER | 1 | |
| 006 | 15600-ZG4-003 | CAP ASSY., OIL FILLER | 1 | 2354643 |
| 007 | 15620-ZG4-910 | CAP, OIL FILLER | 1 | |
| Ref | Partnumber | Description | GX120K1 | Serial Numbers |
| 007 | 15620-ZG4-910 | CAP, OIL FILLER | 1 | 2354642 |
| 010 | 15621-896-010 | PACKING, OIL FILLER CAP | 1 | |
| 010 | 15621-896-010 | PACKING, OIL FILLER CAP | 1 | 2354642 |
| 011 | 15625-ZE1-000 | PACKING, OIL FILLER CAP | 1 | |
| 011 | 15625-ZE1-000 | PACKING, OIL FILLER CAP | 1 | 2354642 |
| 011 | 15625-ZE1-003 | PACKING, OIL FILLER CAP | 2 | 2354643 |
| 011 | 15625-ZE1-003 | PACKING, OIL FILLER CAP | 2 | 2354643 |
| 015 | 90015-883-000 | BOLT, FLANGE, 6X28 (CT200) | 7 | |
| 017 | 91001-878-003 | BEARING, RADIAL BALL, | 1 | |
| 018 | 91203-ZE0-003 | OIL SEAL, 22X41X6 | 1 | |
| 018 | 91203-ZE0-003 | OIL SEAL, 22X41X6 | 1 | 4228308 |
| 018 | 91203-ZE0-013 | OIL SEAL, 22X41X6 | 1 | 4228309 |
| 018 | 91203-ZE0-013 | OIL SEAL, 22X41X6 | 1 | 4228309 |
| 021 | 94301-08140 | DOWEL PIN, 8X14 | 2 | |



| Ref | Partnumber | Description | GX120K1 | Serial Numbers |
|-----|---------------|-------------------|---------|----------------|
| 004 | 13310-ZE0-601 | CRANKSHAFT COMP. | 1 | |
| 013 | 90003-ZE1-000 | BOLT, HEX., 5/16" | 1 | |
| 013 | 90003-ZE1-000 | BOLT, HEX., 5/16" | (1) | |
| 014 | 90473-842-000 | WASHER, 8MM | 1 | |
| 015 | 90745-ZE1-600 | KEY, 4.78X4.78X38 | (1) | |
| 015 | 90745-ZE1-600 | KEY, 4.78X4.78X38 | 1 | |

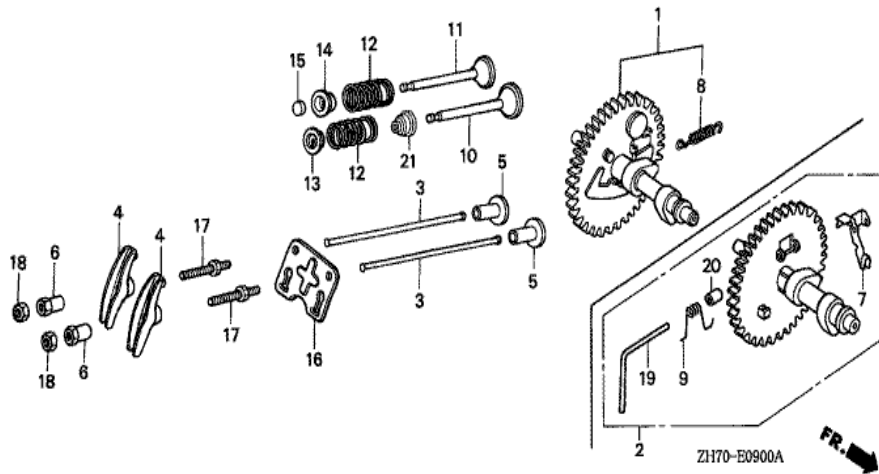


ZH70-E0800



| Ref | Partnumber | Description | GX120K1 | Serial Numbers |
|-----|---------------|-----------------------------------|---------|-----------------|
| 001 | 13010-ZE6-013 | RING SET, PISTON (STD.) (NIPPON) | 1 | 3284616 |
| 001 | 13010-ZE6-013 | RING SET, PISTON (STD.) (NIPPON) | 1 | 3284616 |
| 001 | 13010-ZE6-014 | RING SET, PISTON (STD.) (TEIKOKU) | 1 | 3284616 |
| 001 | 13010-ZE6-014 | RING SET, PISTON (STD.) (TEIKOKU) | 1 | 3284616 |
| 001 | 13010-ZH7-003 | RING SET, PISTON (STD.) (TEIKOKU) | 1 | 3993726 |
| 001 | 13010-ZH7-003 | RING SET, PISTON (STD.) (TEIKOKU) | 1 | 3993726 |
| 001 | 13010-ZH7-004 | RING SET, PISTON (STD.) (NIPPON) | 1 | 3993726 |
| 001 | 13010-ZH7-004 | RING SET, PISTON (STD.) (NIPPON) | 1 | 3993726 |
| 001 | 13010-ZK7-V01 | RING SET, PISTON (STD.) (TEIKOKU) | 1 | 3284617 3993725 |
| 001 | 13010-ZK7-V01 | RING SET, PISTON (STD.) (TEIKOKU) | 1 | 3284617 3993725 |
| 001 | 13010-ZK7-V02 | RING SET, PISTON (STD.) (NIPPON) | 1 | 3284617 3993725 |
| 001 | 13010-ZK7-V02 | RING SET, PISTON (STD.) (NIPPON) | 1 | 3284617 3993725 |
| 001 | 13011-ZE6-013 | RING SET, PISTON (0.25) (NIPPON) | (1) | 3284616 |

| <u>Ref</u> | <u>Partnumber</u> | <u>Description</u> | <u>GX120K1</u> | <u>Serial Numbers</u> |
|------------|-------------------|------------------------------------|----------------|-----------------------|
| 001 | 13011-ZE6-013 | RING SET, PISTON (0.25) (NIPPON) | (1) | 3284616 |
| 001 | 13011-ZE6-014 | RING SET, PISTON (0.25) (TEIKOKU) | (1) | 3284616 |
| 001 | 13011-ZE6-014 | RING SET, PISTON (0.25) (TEIKOKU) | (1) | 3284616 |
| 001 | 13011-ZH7-003 | RING SET, PISTON (0.25) (TEIKOKU) | (1) | 3993726 |
| 001 | 13011-ZH7-003 | RING SET, PISTON (0.25) (TEIKOKU) | (1) | 3993726 |
| 001 | 13011-ZH7-004 | RING SET, PISTON (0.25) (NIPPON) | (1) | 3993726 |
| 001 | 13011-ZH7-004 | RING SET, PISTON (0.25) (NIPPON) | (1) | 3993726 |
| 001 | 13011-ZK7-V01 | RING SET, PISTON (0.25) (TEIKOKU) | (1) | 3284617 3993725 |
| 001 | 13011-ZK7-V01 | RING SET, PISTON (0.25) (TEIKOKU) | (1) | 3284617 3993725 |
| 001 | 13011-ZK7-V02 | RING SET, PISTON (0.25) (NIPPON) | (1) | 3284617 3993725 |
| 001 | 13011-ZK7-V02 | RING SET, PISTON (0.25) (NIPPON) | (1) | 3284617 3993725 |
| 001 | 13012-ZE6-013 | RING SET, PISTON (0.50) (NIPPON) | (1) | 3284616 |
| 001 | 13012-ZE6-013 | RING SET, PISTON (0.50) (NIPPON) | (1) | 3284616 |
| 001 | 13012-ZE6-014 | RING SET, PISTON (0.50) (TEIKOKU) | (1) | 3284616 |
| 001 | 13012-ZE6-014 | RING SET, PISTON (0.50) (TEIKOKU) | (1) | 3284616 |
| 001 | 13012-ZH7-003 | RING SET, PISTON (0.50) (TEIKOKU) | (1) | 3993726 |
| 001 | 13012-ZH7-003 | RING SET, PISTON (0.50) (TEIKOKU) | (1) | 3993726 |
| 001 | 13012-ZH7-004 | RING SET, PISTON (0.50) (NIPPON) | (1) | 3993726 |
| 001 | 13012-ZH7-004 | RING SET, PISTON (0.50) (NIPPON) | (1) | 3993726 |
| 001 | 13012-ZK7-V01 | RING SET, PISTON (0.50) (TEIKOKU) | (1) | 3284617 3993725 |
| 001 | 13012-ZK7-V01 | RING SET, PISTON (0.50) (TEIKOKU) | (1) | 3284617 3993725 |
| 001 | 13012-ZK7-V02 | RING SET, PISTON (0.50) (NIPPON) | (1) | 3284617 3993725 |
| 001 | 13012-ZK7-V02 | RING SET, PISTON (0.50) (NIPPON) | (1) | 3284617 3993725 |
| 001 | 13013-ZE6-013 | RING SET, PISTON (0.75) (NIPPON) | (1) | 3284616 |
| 001 | 13013-ZE6-013 | RING SET, PISTON (0.75) (NIPPON) | (1) | 3284616 |
| 001 | 13013-ZE6-014 | RING SET, PISTON (0.75) (TEIKOKU) | (1) | 3284616 |
| 001 | 13013-ZE6-014 | RING SET, PISTON (0.75) (TEIKOKU) | (1) | 3284616 |
| 001 | 13013-ZH7-003 | RING SET, PISTON (0.75) (TEIKOKU) | (1) | 3993726 |
| 001 | 13013-ZH7-003 | RING SET, PISTON (0.75) (TEIKOKU) | (1) | 3993726 |
| 001 | 13013-ZH7-004 | RING SET, PISTON (0.75) (NIPPON) | (1) | 3993726 |
| 001 | 13013-ZH7-004 | RING SET, PISTON (0.75) (NIPPON) | (1) | 3993726 |
| 001 | 13013-ZK7-V01 | RING SET, PISTON (0.75) (TEIKOKU) | (1) | 3284617 3993725 |
| 001 | 13013-ZK7-V01 | RING SET, PISTON (0.75) (TEIKOKU) | (1) | 3284617 3993725 |
| <u>Ref</u> | <u>Partnumber</u> | <u>Description</u> | <u>GX120K1</u> | <u>Serial Numbers</u> |
| 001 | 13013-ZK7-V02 | RING SET, PISTON (0.75) (NIPPON) | (1) | 3284617 3993725 |
| 001 | 13013-ZK7-V02 | RING SET, PISTON (0.75) (NIPPON) | (1) | 3284617 3993725 |
| 002 | 13101-ZF0-020 | PISTON (STD.) | 1 | |
| 002 | 13101-ZF0-020 | PISTON (STD.) | 1 | |
| 002 | 13102-ZH7-000 | PISTON (0.25) | (1) | 3993725 |
| 002 | 13102-ZH7-000 | PISTON (0.25) | (1) | |
| 002 | 13103-ZH7-000 | PISTON (0.50) | (1) | 3993725 |
| 002 | 13103-ZH7-000 | PISTON (0.50) | (1) | |
| 002 | 13104-ZH7-000 | PISTON (0.75) | (1) | 3993725 |
| 002 | 13104-ZH7-000 | PISTON (0.75) | (1) | |
| 003 | 13111-ZE0-000 | PIN, PISTON | 1 | |
| 004 | 13200-ZE0-000 | ROD ASSY., CONNECTING | 1 | |
| 004 | 132A0-ZE0-000 | ROD ASSY., CONNECTING (UNDER SIZE) | (1) | |
| 005 | 90001-ZE1-000 | BOLT, CONNECTING ROD | 2 | |
| 006 | 90551-ZE0-000 | CLIP, PISTON PIN, 13MM | 2 | |



| <u>Ref</u> | <u>Partnumber</u> | <u>Description</u> | <u>GX120K1</u> | <u>Serial Numbers</u> |
|------------|-------------------|----------------------------|----------------|-----------------------|
| 001 | 14100-ZF0-000 | CAMSHAFT ASSY. | 1 | |
| 001 | 14100-ZF0-000 | CAMSHAFT ASSY. | 1 | |
| 003 | 14410-ZE0-010 | ROD, PUSH | 2 | |
| 004 | 14431-ZE1-000 | ARM, VALVE ROCKER | 2 | |
| 005 | 14441-ZE1-000 | LIFTER, VALVE | 2 | |
| 005 | 14441-ZE1-000 | LIFTER, VALVE | 2 | 2828018 |
| 005 | 14441-ZE1-010 | LIFTER, VALVE | 2 | 2828019 |
| 005 | 14441-ZE1-010 | LIFTER, VALVE | 2 | 2828019 |
| 006 | 14451-ZE1-003 | PIVOT, ROCKER ARM | 2 | |
| 008 | 14568-ZE1-000 | SPRING, WEIGHT RETURN | 1 | |
| 010 | 14711-ZF0-000 | VALVE, IN. | 1 | |
| 011 | 14721-ZF0-000 | VALVE, EX. | (1) | |
| 011 | 14721-ZF0-000 | VALVE, EX. | 1 | |
| <u>Ref</u> | <u>Partnumber</u> | <u>Description</u> | <u>GX120K1</u> | <u>Serial Numbers</u> |
| 012 | 14751-ZF1-000 | SPRING, VALVE | 2 | |
| 013 | 14771-ZE1-000 | RETAINER, IN. VALVE SPRING | 1 | |
| 014 | 14773-ZE1-000 | RETAINER, EX. VALVE SPRING | 1 | |
| 015 | 14781-ZE1-000 | ROTATOR, VALVE | 1 | |
| 016 | 14791-ZE0-010 | PLATE, PUSH ROD GUIDE | 1 | |
| 017 | 90012-ZE0-010 | BOLT, PIVOT, 8MM | 2 | |
| 018 | 90206-ZE1-000 | NUT, PIVOT ADJUSTING | 2 | |
| 021 | 12209-ZH8-003 | SEAL, VALVE STEM | 1 | |
| 021 | 12209-ZH8-003 | SEAL, VALVE STEM | 1 | 3993726 |



HENG-X0003

| <u>Ref</u> | <u>Partnumber</u> | <u>Description</u> | <u>GX120K1</u> | <u>Serial Numbers</u> |
|------------|-------------------|--------------------|----------------|-----------------------|
| 001 | 061A1-ZH7-730 | GASKET KIT | 1 | |
| 001 | 061A1-ZH7-730 | GASKET KIT | 1 | |