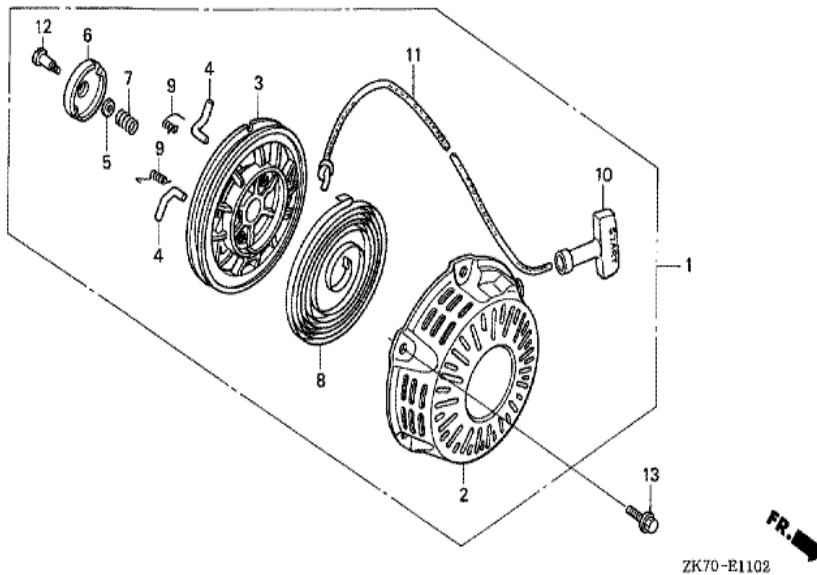




ZK70-E1100



<u>Ref</u>	<u>Partnumber</u>	<u>Description</u>	<u>GX120K1</u>	<u>Serial Numbers</u>
001	28400-ZH8-013YA	STARTER ASSY., RECOIL *R280 *	1	4363433
002	28410-ZH8-003YA	CASE COMP., RECOIL STARTER *R280 *	1	
002	28410-ZH8-003YA	CASE COMP., RECOIL STARTER *R280 *	1	4363433
003	28420-ZH8-013	REEL, RECOIL STARTER (NATURAL)	1	
003	28420-ZH8-013	REEL, RECOIL STARTER (NATURAL)	1	4363433
004	28422-ZH8-013	RATCHET, STARTER	2	
004	28422-ZH8-013	RATCHET, STARTER	2	4363433
005	28433-ZH8-003	GUIDE, RATCHET	1	
005	28433-ZH8-003	GUIDE, RATCHET	1	4363433
006	28441-ZH8-003	SPRING, FRICTION	1	
006	28441-ZH8-003	SPRING, FRICTION	1	4363433
007	28442-ZH8-003	SPRING, RECOIL STARTER	1	
007	28442-ZH8-003	SPRING, RECOIL STARTER	1	4363433
<u>Ref</u>	<u>Partnumber</u>	<u>Description</u>	<u>GX120K1</u>	<u>Serial Numbers</u>
008	28443-ZH8-003	SPRING, RETURN	2	
008	28443-ZH8-003	SPRING, RETURN	2	4363433
009	28461-ZH8-003	GRIP, STARTER	1	
009	28461-ZH8-003	GRIP, STARTER	1	4363433
010	28462-ZH8-003	ROPE, RECOIL STARTER	1	
010	28462-ZH8-003	ROPE, RECOIL STARTER	1	4363433
011	90003-ZH8-003	SCREW, SETTING	1	
011	90003-ZH8-003	SCREW, SETTING	1	4363433
012	90008-ZE2-003	BOLT, FLANGE, 6X10	3	
012	90008-ZE2-003	BOLT, FLANGE, 6X10	3	4363433



ZK70-E1102

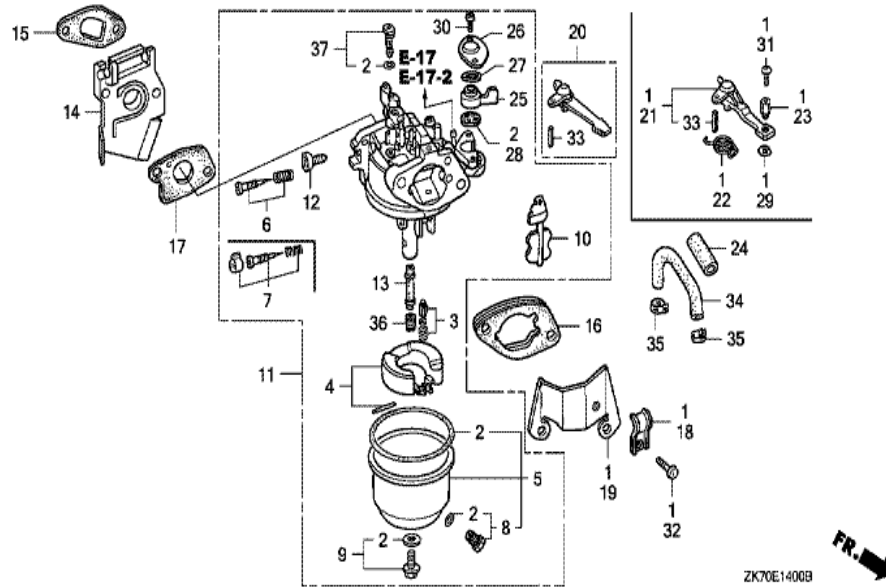
<u>Ref</u>	<u>Partnumber</u>	<u>Description</u>	<u>GX120K1</u>	<u>Serial Numbers</u>
001	28400-ZH8-023YA	STARTER ASSY., RECOIL *R280 *	1	
001	28400-ZH8-023YA	STARTER ASSY., RECOIL *R280 *	1	4363434
002	28410-ZH8-003YA	CASE COMP., RECOIL STARTER *R280 *	1	
002	28410-ZH8-003YA	CASE COMP., RECOIL STARTER *R280 *	1	4363434
003	28421-ZH8-801	REEL, RECOIL STARTER (BLACK)	1	
003	28421-ZH8-801	REEL, RECOIL STARTER (BLACK)	1	4363434
004	28422-ZH8-801	RATCHET, STARTER	2	
004	28422-ZH8-801	RATCHET, STARTER	2	4363434
005	28431-ZH8-801	PLATE, FRICTION	1	
005	28431-ZH8-801	PLATE, FRICTION	1	4363434
006	28433-ZH8-801	GUIDE, RATCHET	1	
006	28433-ZH8-801	GUIDE, RATCHET	1	4363434
007	28441-ZH8-801	SPRING, FRICTION	1	
<u>Ref</u>	<u>Partnumber</u>	<u>Description</u>	<u>GX120K1</u>	<u>Serial Numbers</u>
007	28441-ZH8-801	SPRING, FRICTION	1	4363434
008	28442-ZH8-003	SPRING, RECOIL STARTER	1	
008	28442-ZH8-003	SPRING, RECOIL STARTER	1	4363434
009	28443-ZH8-801	SPRING, RETURN	2	
009	28443-ZH8-801	SPRING, RETURN	2	4363434
010	28461-ZH8-003	GRIP, STARTER	1	
010	28461-ZH8-003	GRIP, STARTER	1	4363434
011	28462-ZH8-003	ROPE, RECOIL STARTER	1	
011	28462-ZH8-003	ROPE, RECOIL STARTER	1	4363434
012	90003-ZH8-801	SCREW, SETTING	1	
012	90003-ZH8-801	SCREW, SETTING	1	4363434
013	90008-ZE2-003	BOLT, FLANGE, 6X10	3	
013	90008-ZE2-003	BOLT, FLANGE, 6X10	3	4363434



ZK70E1200B

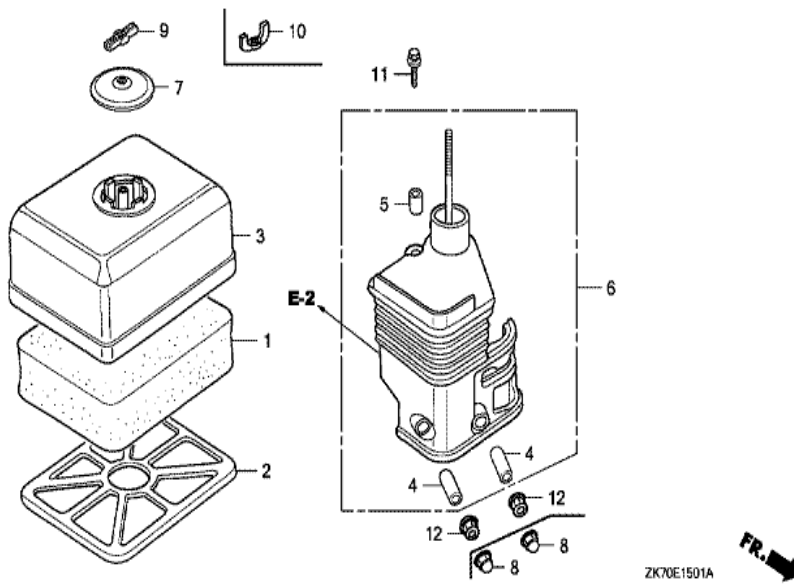


Ref	Partnumber	Description	GX120K1	Serial Numbers
001	11347-371-300	GROMMET, ADJUSTING COVER	1	
002	19610-ZE0-000ZS	COVER COMP., FAN *R280 *	(1)	
002	19610-ZE0-000ZS	COVER COMP., FAN *R280 *	1	
003	19612-ZH7-000	PLATE, SIDE (STD.)	(1)	
003	19612-ZH7-000	PLATE, SIDE (STD.)	1	
006	19630-ZH7-000	SHROUD COMP.	1	
010	36100-ZH8-W41	SWITCH ASSY., ENGINE STOP	1	
010	36100-ZH8-W41	SWITCH ASSY., ENGINE STOP	1	
011	36101-ZE1-010	CORD, STOP SWITCH (370MM)	1	
013	90013-883-000	BOLT, FLANGE, 6X12 (CT200)	4	
013	90013-883-000	BOLT, FLANGE, 6X12 (CT200)	6	
014	90022-888-010	BOLT, FLANGE, 6X20 (CT200)	1	



Ref	Partnumber	Description	GX120K1	Serial Numbers
002	16010-ZE0-025	GASKET SET	(1)	
002	16010-ZE0-025	GASKET SET	1	
003	16011-ZE0-005	VALVE SET, FLOAT	1	
004	16013-ZE0-005	FLOAT SET	1	
005	16015-ZE0-831	CHAMBER SET, FLOAT	1	
007	16016-ZH7-W01	SCREW SET, PILOT	1	
008	16024-ZE1-811	SCREW SET, DRAIN	1	
009	16028-ZE0-005	SCREW SET	1	
010	16044-ZE0-005	CHOKE SET	1	
011	16100-ZH7-W71	CARBURETOR ASSY. (BE61D B)	1	
011	16100-ZH7-W71	CARBURETOR ASSY. (BE61D B)	1	
012	16124-ZE0-005	SCREW, THROTTLE STOP	1	
013	16166-ZH7-W50	NOZZLE, MAIN	(1)	

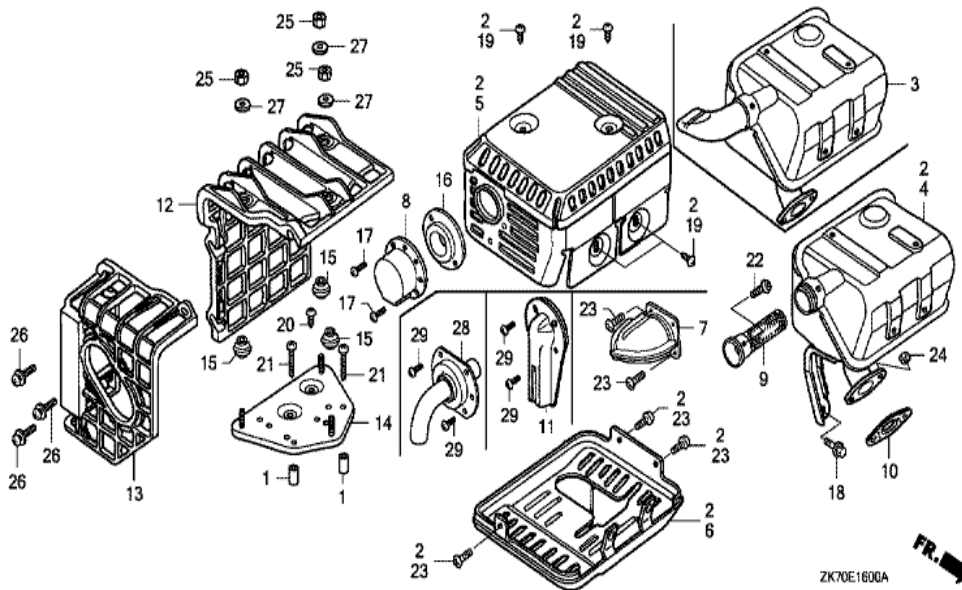
<u>Ref</u>	<u>Partnumber</u>	<u>Description</u>	<u>GX120K1</u>	<u>Serial Numbers</u>
013	16166-ZH7-W50	NOZZLE, MAIN	1	
014	16211-ZE0-000	INSULATOR, CARBURETOR	1	
015	16212-ZH7-800	PACKING, INSULATOR	1	
016	16220-ZE1-020	SPACER COMP., CARBURETOR	1	
017	16221-ZH8-801	PACKING, CARBURETOR	1	
020	16610-ZE1-000	LEVER COMP., CHOKE (STD.)	1	
025	16953-ZE1-812	LEVER, COCK	1	
026	16954-ZE1-812	PLATE, LEVER SETTING	1	
027	16956-ZE1-811	SPRING, COCK LEVER	1	
028	16957-ZE1-812	PACKING, FUEL COCK	1	
030	93500-030061H	SCREW, PAN, 3X6	2	
033	94305-20122	PIN, SPRING, 2X12	1	
036	99101-ZH80580	JET, MAIN, #58	(1)	
036	99101-ZH80580	JET, MAIN, #58	(1)	
036	99101-ZH80600	JET, MAIN, #60	(1)	
036	99101-ZH80600	JET, MAIN, #60	(1)	
036	99101-ZH80620	JET, MAIN, #62	1	
036	99101-ZH80620	JET, MAIN, #62	1	
037	99204-ZE00350	JET SET, PILOT, #35	1	



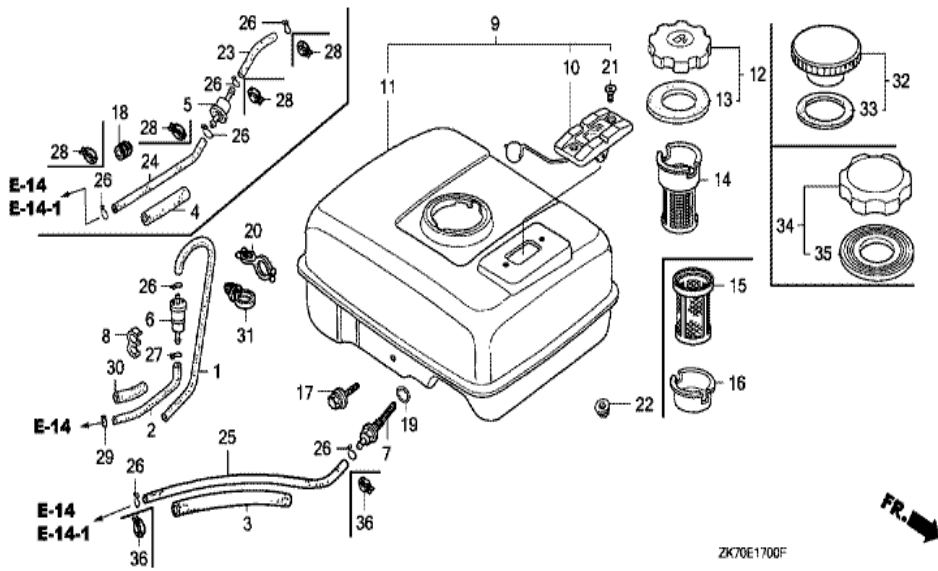
ZK70E1501A



Ref	Partnumber	Description	GX120K1	Serial Numbers
001	17211-ZE1-000	ELEMENT, AIR CLEANER (SEMI DRY)	1	
002	17212-ZE1-000	GRID, AIR CLEANER (SEMI DRY)	1	
003	17231-ZE0-000	COVER, AIR CLEANER (SEMI DRY)	1	
004	17238-ZE0-010	COLLAR, AIR CLEANER	2	
005	17239-ZE1-000	COLLAR B, AIR CLEANER	1	
006	17410-ZE0-030	ELBOW COMP., AIR CLEANER	1	
007	17421-ZE1-000	CAP, CLEANER	1	
010	90325-044-000	NUT, TOOL BOX SETTING	1	
011	95701-0602000	BOLT, FLANGE, 6X20	1	
011	95701-0602000	BOLT, FLANGE, 6X20	1	
012	94050-06000	NUT, FLANGE, 6MM	2	



<u>Ref</u>	<u>Partnumber</u>	<u>Description</u>	<u>GX120K1</u>	<u>Serial Numbers</u>
001	17233-896-701	COLLAR, AIR CLEANER CASE	(2)	
004	18310-ZF1-000	MUFFLER COMP. (STD.)	1	
004	18310-ZF1-000	MUFFLER COMP. (STD.)	1	
005	18320-ZF1-H01	PROTECTOR, MUFFLER (STD.) (BLACK)	1	
005	18320-ZF1-H01	PROTECTOR, MUFFLER (STD.) (BLACK)	1	
010	18381-ZH8-800	GASKET, MUFFLER	1	
012	18433-ZH8-W40	COVER COMP., MUFFLER	(1)	
013	18434-ZH8-W40	COVER COMP., RR. MUFFLER	(1)	
014	18436-ZH8-W40	BASE COMP., MUFFLER COVER	(1)	
015	18466-ZH8-W40	SPACER, MUFFLER COVER	(3)	
019	90050-ZE1-000	SCREW, TAPPING, 5X8	4	
020	90050-ZE1-000	SCREW, TAPPING, 5X8	(1)	
021	90050-ZH8-W40	SCREW, TAPPING, 5X25	(2)	
<u>Ref</u>	<u>Partnumber</u>	<u>Description</u>	<u>GX120K1</u>	<u>Serial Numbers</u>
024	94001-080000S	NUT, HEX., 8MM	2	
024	94001-080000S	NUT, HEX., 8MM	2	
025	90302-KF9-900	NUT, HEX., 5MM	(3)	
026	93891-0602007	SCREW-WASHER, 6X20	(3)	
027	94103-05700	WASHER, PLAIN, 5MM	(3)	



FR. →

ZK70E1700F

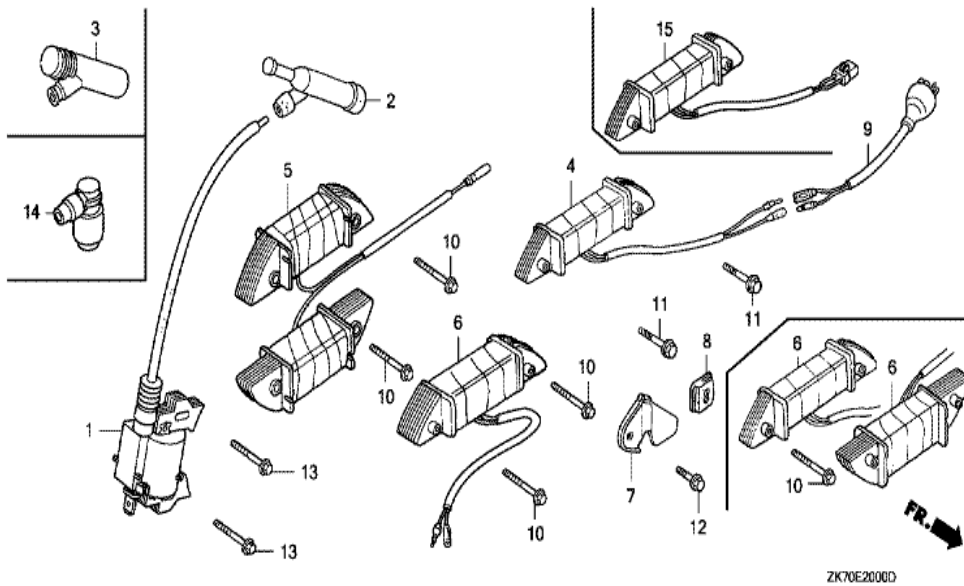
Ref	Partnumber	Description	GX120K1	Serial Numbers
007	16955-ZE1-000	JOINT, FUEL TANK	1	
011	17510-ZE0-020ZA	TANK COMP., FUEL *NH31 *	1	
017	90004-ZH7-003	BOLT, FLANGE, 6X29	1	
019	91353-671-004	O-RING, 14MM (NOK)	1	
022	94050-06000	NUT, FLANGE, 6MM	2	
025	95001-4514040	TUBE, FUEL, 4.5X140 (95001-45001-60M)	(1)	
025	95001-4514040	TUBE, FUEL, 4.5X140 (95001-45001-60M)	1	
026	95002-02080	CLIP, TUBE (B8)	1	
026	95002-02080	CLIP, TUBE (B8)	2	
034	17620-Z0T-305	CAP COMP., FUEL FILLER (CHROME PLATED)	1	
035	17631-Z0T-812	PACKING, FUEL FILLER CAP (39X62X3) (TOUY)	1	



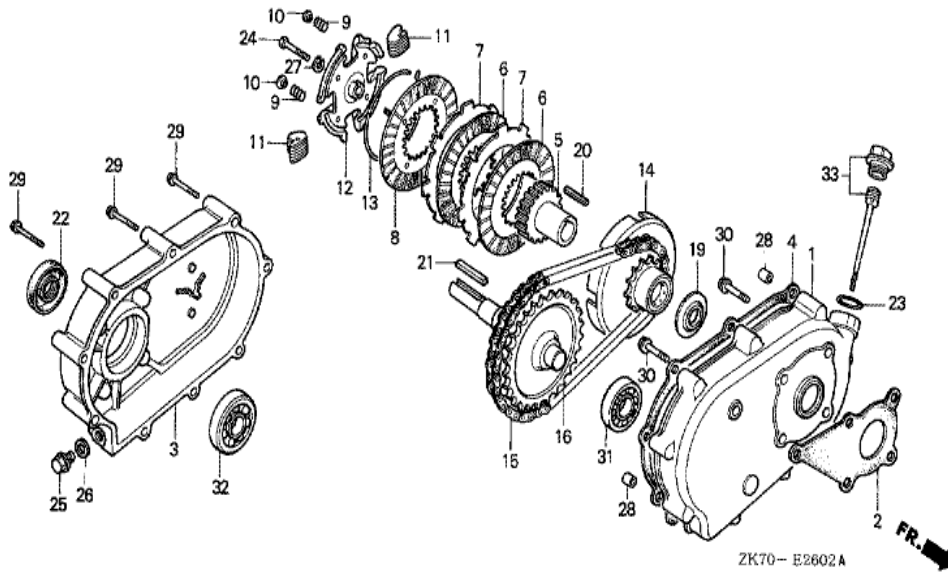
Ref	Partnumber	Description	GX120K1	Serial Numbers
001	13331-357-000	KEY, SPECIAL WOODRUFF, 25X18	1	
002	19511-ZE0-000	FAN, COOLING	1	
005	31100-ZE0-010	FLYWHEEL COMP.	1	
007	90201-878-003	NUT, SPECIAL, 14MM	1	
009	28451-ZH7-801	PULLEY, STARTER	1	
009	28451-ZH7-801	PULLEY, STARTER	1	4363434
010	28451-ZH7-003	PULLEY, STARTER	1	
010	28451-ZH7-003	PULLEY, STARTER	1	4363433



Ref	Partnumber	Description	GX120K1	Serial Numbers
001	12204-ZE1-306	GUIDE, IN. VALVE (OS)	(1)	
002	12205-ZE1-315	GUIDE, EX. VALVE (OS)	(1)	
003	12210-ZH7-405	HEAD COMP., CYLINDER	1	
003	12210-ZH7-405	HEAD COMP., CYLINDER	1	4516043
003	12210-ZH7-415	HEAD COMP., CYLINDER	1	
003	12210-ZH7-415	HEAD COMP., CYLINDER	1	4516044
004	12216-ZE5-300	CLIP, VALVE GUIDE	1	
005	12251-ZH7-800	GASKET, CYLINDER HEAD	(1)	
005	12251-ZH7-800	GASKET, CYLINDER HEAD	1	
006	12310-ZE1-020	COVER COMP., HEAD	1	
006	12310-ZE1-020	COVER COMP., HEAD	1	
007	12391-ZE1-000	PACKING, HEAD COVER	1	
008	15721-ZH8-000	TUBE, BREATHER	(1)	
<u>Ref</u>	<u>Partnumber</u>	<u>Description</u>	<u>GX120K1</u>	<u>Serial Numbers</u>
008	15721-ZH8-000	TUBE, BREATHER	1	
009	90013-883-000	BOLT, FLANGE, 6X12 (CT200)	4	
010	90043-ZE1-020	BOLT, STUD, 6X112	2	
010	90043-ZE1-020	BOLT, STUD, 6X112	2	
011	90047-ZE1-000	BOLT, STUD, 8X32	2	
012	94301-10160	DOWEL PIN, 10X16	2	
014	95723-0805500	BOLT, FLANGE, 8X55	4	
014	95723-0805500	BOLT, FLANGE, 8X55	4	
015	98079-55846	PLUG, SPARK (BPR5ES) (NGK)	(1)	
015	98079-55846	PLUG, SPARK (BPR5ES) (NGK)	1	
015	98079-55855	PLUG, SPARK (W16EPR-U) (DENSO)	(1)	
015	98079-55855	PLUG, SPARK (W16EPR-U) (DENSO)	1	
015	98079-56846	PLUG, SPARK (BPR6ES) (NGK)	(1)	
015	98079-56846	PLUG, SPARK (BPR6ES) (NGK)	(1)	

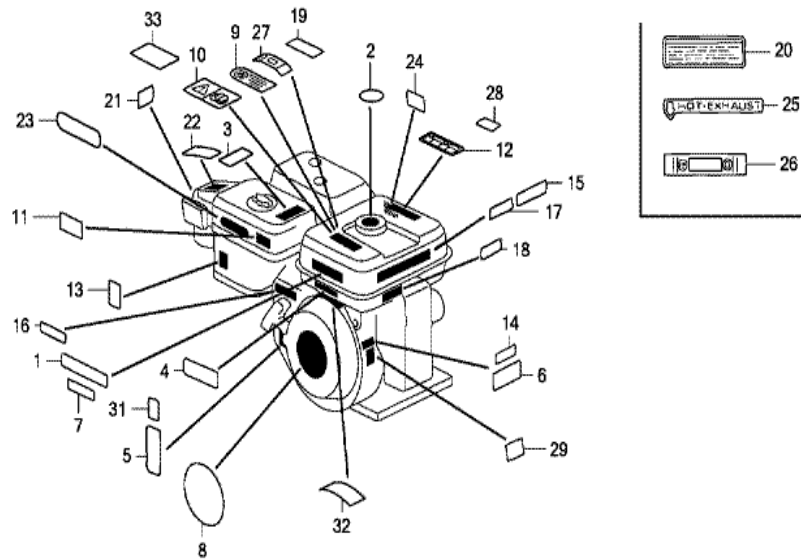


Ref	Partnumber	Description	GX120K1	Serial Numbers
001	30500-ZE1-043	COIL ASSY., IGNITION	1	4450768
001	30500-ZE1-043	COIL ASSY., IGNITION	1	4450768
001	30500-ZE1-053	COIL ASSY., IGNITION	1	4456559
001	30500-ZE1-053	COIL ASSY., IGNITION	1	4450769 4456559
001	30500-ZE1-063	COIL ASSY., IGNITION	1	4456560
001	30500-ZE1-063	COIL ASSY., IGNITION	1	4456560
002	30700-ZE1-013	CAP ASSY., NOISE SUPPRESSOR (NICHIIWA Y-E	(1)	
002	30700-ZE1-013	CAP ASSY., NOISE SUPPRESSOR (NICHIIWA Y-E	1	
013	90121-952-000	BOLT, FLANGE, 6X25 (CT200)	2	



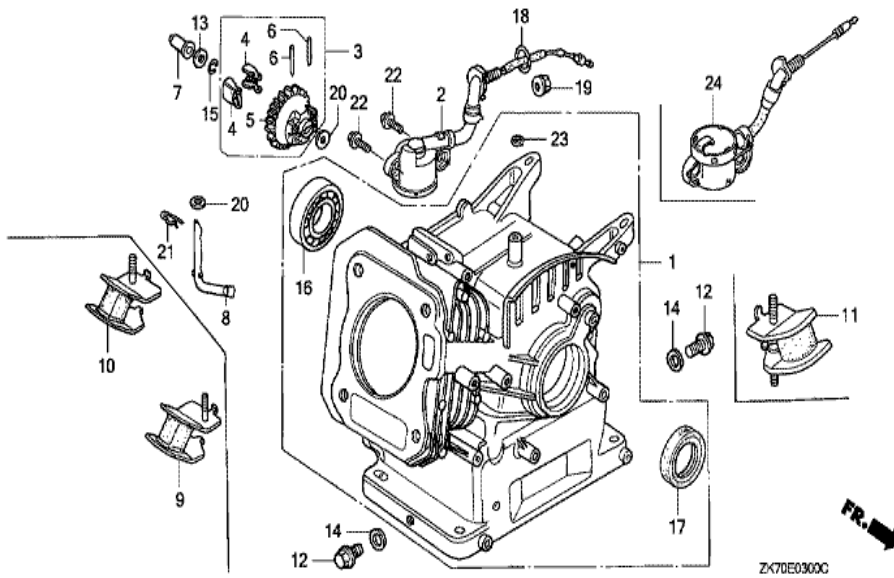
Ref	Partnumber	Description	GX120K1	Serial Numbers
001	21510-883-621	CASE, REDUCTION	1	
002	21591-ZH8-620	PACKING, REDUCTION CASE	1	
003	21610-822-611	COVER, REDUCTION	1	
004	21691-ZH8-800	PACKING, REDUCTION COVER	1	
005	22121-887-620	CENTER, CLUTCH (28T)	1	
006	22201-822-610	DISK, CLUTCH FRICTION	2	
007	22311-822-610	PLATE, CLUTCH	2	
008	22350-822-610	PLATE COMP., CLUTCH PRESSURE	1	
009	22411-822-611	SPRING, CLUTCH FREE	4	
010	22421-822-610	HOLDER, CLUTCH SPRING	4	
011	22521-822-610	WEIGHT, CLUTCH	48	
012	22531-887-620	HOLDER, CLUTCH WEIGHT	1	
013	22535-822-610	CENTER, CLUTCH WEIGHT	1	

<u>Ref</u>	<u>Partnumber</u>	<u>Description</u>	<u>GX120K1</u>	<u>Serial Numbers</u>
014	23120-883-620	SPROCKET COMP., DRIVE	1	
015	23161-822-611	CHAIN, DRIVE (RK428SH-36LE)	1	
016	23711-822-610	SHAFT COMP., P.T.O. (28T)	1	
019	90403-887-620	WASHER, THRUST, 18MM	1	
020	90741-883-621	KEY, 5MM	1	
021	90741-889-810	KEY, 7X7X33 (YELLOW) (O.S.)	1	
022	91202-805-610	OIL SEAL (PJ30507)	1	4538605
023	91301-805-000	O-RING, 26X2.7	1	
024	92101-080350A	BOLT, HEX., 8X35	1	
025	92800-12000	BOLT, DRAIN PLUG, 12MM	1	
026	94109-12000	WASHER, DRAIN PLUG, 12MM	1	
027	94111-08800	WASHER, SPRING, 8MM	1	
027	94111-08800	WASHER, SPRING, 8MM	1	
028	94301-08100	DOWEL PIN, 8X10	2	
029	95701-0605500	BOLT, FLANGE, 6X55	9	
030	95701-0802200	BOLT, FLANGE, 8X22	5	
031	96100-6205000	BEARING, RADIAL BALL, 6205	1	
032	96100-6206000	BEARING, RADIAL BALL, 6206	1	
033	15600-ZH7-000	CAP ASSY., OIL FILLER	1	

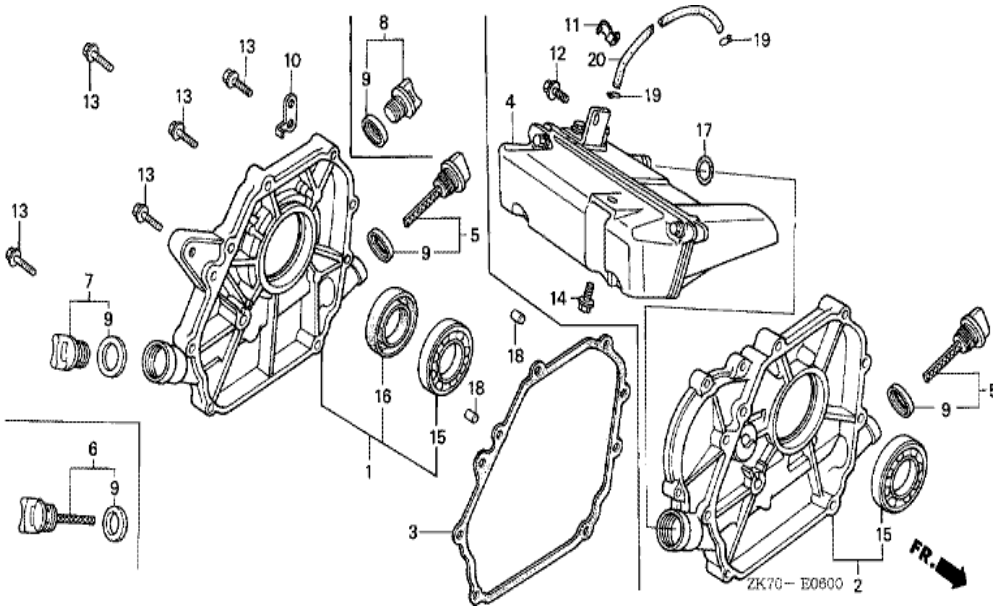


ZK70E2800D

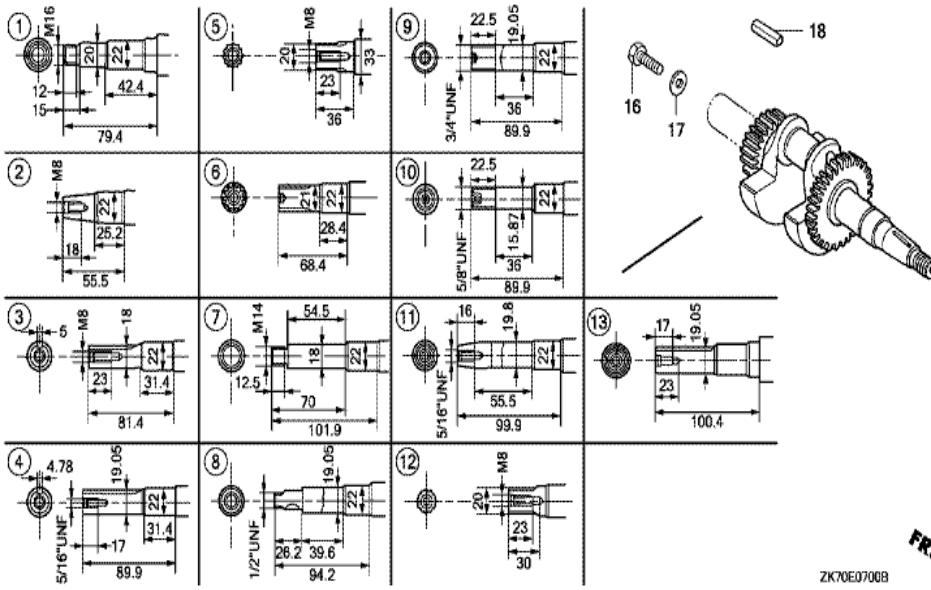
Ref	Partnumber	Description	GX120K1	Serial Numbers
004	87135-ZE2-020	LABEL, E-SPEC (15.5X27.5)	1	
004	87135-ZE2-020	LABEL, E-SPEC (15.5X27.5)	1	4410587
008	87521-ZH7-030	EMBLEM (4.0)	1	
008	87521-ZH7-030	EMBLEM (4.0)	1	
010	87522-ZH8-W41	MARK, CAUTION (PICTOGRAPH)	1	
013	87528-733-E90	MARK, CHOKE (H=36)	1	4335503
013	87528-733-E90	MARK, CHOKE (H=36)	1	4335503
013	87528-733-E91	MARK, CHOKE (H=34)	1	4550192
013	87528-733-E91	MARK, CHOKE (H=34)	1	4335504
016	87532-ZH8-W40	MARK, THROTTLE INDICATION	1	4453887
016	87532-ZH8-W40	MARK, THROTTLE INDICATION	1	



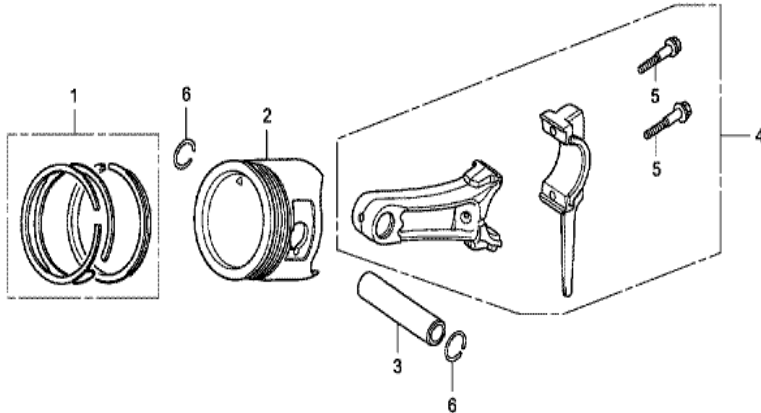
<u>Ref</u>	<u>Partnumber</u>	<u>Description</u>	<u>GX120K1</u>	<u>Serial Numbers</u>
001	12000-ZF0-425	BARREL ASSY., CYLINDER	1	
003	16510-ZE1-000	GOVERNOR ASSY.	1	
004	16511-ZE1-000	WEIGHT, GOVERNOR	2	
005	16512-ZE1-000	HOLDER, GOVERNOR WEIGHT	1	
006	16513-ZE1-000	PIN, GOVERNOR WEIGHT	2	
007	16531-ZE1-000	SLIDER, GOVERNOR	1	
008	16541-ZE1-000	SHAFT, GOVERNOR ARM	1	
012	90131-ZE1-000	BOLT, DRAIN PLUG	2	
013	90451-ZE1-000	WASHER, THRUST, 6MM	1	
014	90601-ZE1-000	WASHER, DRAIN PLUG, 10.2MM	2	
015	90602-ZE1-000	CLIP, GOVERNOR HOLDER	1	
016	91001-878-003	BEARING, RADIAL BALL,	1	
017	91202-ZE6-013	OIL SEAL, 22X35X6	1	
<u>Ref</u>	<u>Partnumber</u>	<u>Description</u>	<u>GX120K1</u>	<u>Serial Numbers</u>
020	94101-06800	WASHER, PLAIN, 6MM	2	
021	94251-08000	PIN, LOCK, 8MM	1	



Ref	Partnumber	Description	GX120K1	Serial Numbers
001	11300-ZE0-010	COVER ASSY., CRANKCASE	1	
001	11300-ZE0-010	COVER ASSY., CRANKCASE	1	
003	11381-ZH7-800	PACKING, CASE COVER	1	
005	15600-ZE1-003	CAP ASSY., OIL FILLER (GRAY)	1	
007	15600-ZG4-003	CAP ASSY., OIL FILLER	1	
009	15625-ZE1-003	PACKING, OIL FILLER CAP	1	
009	15625-ZE1-003	PACKING, OIL FILLER CAP	2	
013	90015-883-000	BOLT, FLANGE, 6X28 (CT200)	7	
015	91001-878-003	BEARING, RADIAL BALL,	1	
016	91203-ZE0-013	OIL SEAL, 22X41X6	1	
018	94301-08140	DOWEL PIN, 8X14	2	



Ref	Partnumber	Description	GX120K1	Serial Numbers
003	13310-ZE0-000	CRANKSHAFT COMP.	1	
018	90741-883-810	KEY, 5X5X33 (YELLOW)	1	



ZK70E0800A



<u>Ref</u>	<u>Partnumber</u>	<u>Description</u>	<u>GX120K1</u>	<u>Serial Numbers</u>
001	13010-ZH7-003	RING SET, PISTON (STD.) (TEIKOKU)	1	4554249
001	13010-ZH7-003	RING SET, PISTON (STD.) (TEIKOKU)	1	
001	13010-ZH7-004	RING SET, PISTON (STD.) (NIPPON)	1	4554249
001	13010-ZH7-004	RING SET, PISTON (STD.) (NIPPON)	1	
001	13011-ZH7-003	RING SET, PISTON (0.25) (TEIKOKU)	(1)	
001	13011-ZH7-003	RING SET, PISTON (0.25) (TEIKOKU)	(1)	
001	13011-ZH7-004	RING SET, PISTON (0.25) (NIPPON)	(1)	
001	13011-ZH7-004	RING SET, PISTON (0.25) (NIPPON)	(1)	
001	13012-ZH7-003	RING SET, PISTON (0.50) (TEIKOKU)	(1)	4554249
001	13012-ZH7-003	RING SET, PISTON (0.50) (TEIKOKU)	(1)	
001	13012-ZH7-004	RING SET, PISTON (0.50) (NIPPON)	(1)	4554249
001	13012-ZH7-004	RING SET, PISTON (0.50) (NIPPON)	(1)	
001	13013-ZH7-003	RING SET, PISTON (0.75) (TEIKOKU)	(1)	4554249
<u>Ref</u>	<u>Partnumber</u>	<u>Description</u>	<u>GX120K1</u>	<u>Serial Numbers</u>
001	13013-ZH7-003	RING SET, PISTON (0.75) (TEIKOKU)	(1)	
001	13013-ZH7-004	RING SET, PISTON (0.75) (NIPPON)	(1)	
001	13013-ZH7-004	RING SET, PISTON (0.75) (NIPPON)	(1)	
002	13101-ZH7-010	PISTON (STD.)	1	
002	13101-ZH7-010	PISTON (STD.)	1	4554249
002	13102-ZH7-010	PISTON (0.25)	(1)	4554249
002	13102-ZH7-010	PISTON (0.25)	(1)	4554249
002	13103-ZH7-010	PISTON (0.50)	(1)	4554249
002	13103-ZH7-010	PISTON (0.50)	(1)	4554249
002	13104-ZH7-010	PISTON (0.75)	(1)	
002	13104-ZH7-010	PISTON (0.75)	(1)	4554249
003	13111-ZE0-000	PIN, PISTON	1	
004	13200-ZE0-000	ROD ASSY., CONNECTING	1	
005	90001-ZE1-000	BOLT, CONNECTING ROD	2	
006	90551-ZE0-000	CLIP, PISTON PIN, 13MM	2	



<u>Ref</u>	<u>Partnumber</u>	<u>Description</u>	<u>GX120K1</u>	<u>Serial Numbers</u>
001	12209-ZH8-003	SEAL, VALVE STEM	1	
002	14100-ZE0-812	CAMSHAFT ASSY.	1	
004	14410-ZE0-010	ROD, PUSH	2	
005	14431-ZE1-000	ARM, VALVE ROCKER	2	
006	14441-ZE1-010	LIFTER, VALVE	2	
007	14451-ZE1-013	PIVOT, ROCKER ARM	2	
007	14451-ZE1-013	PIVOT, ROCKER ARM	2	
009	14568-ZE1-000	SPRING, WEIGHT RETURN	1	
011	14711-ZF0-010	VALVE, IN.	1	
011	14711-ZF0-010	VALVE, IN.	1	
012	14721-ZF0-000	VALVE, EX.	1	
013	14751-ZF1-000	SPRING, VALVE	2	
014	14771-ZE1-000	RETAINER, IN. VALVE SPRING	1	
<u>Ref</u>	<u>Partnumber</u>	<u>Description</u>	<u>GX120K1</u>	<u>Serial Numbers</u>
015	14773-ZE1-000	RETAINER, EX. VALVE SPRING	1	
016	14781-ZE1-000	ROTATOR, VALVE	1	
017	14791-ZE0-010	PLATE, PUSH ROD GUIDE	1	
018	90012-ZE0-010	BOLT, PIVOT, 8MM	2	
019	90206-ZE1-000	NUT, PIVOT ADJUSTING	2	