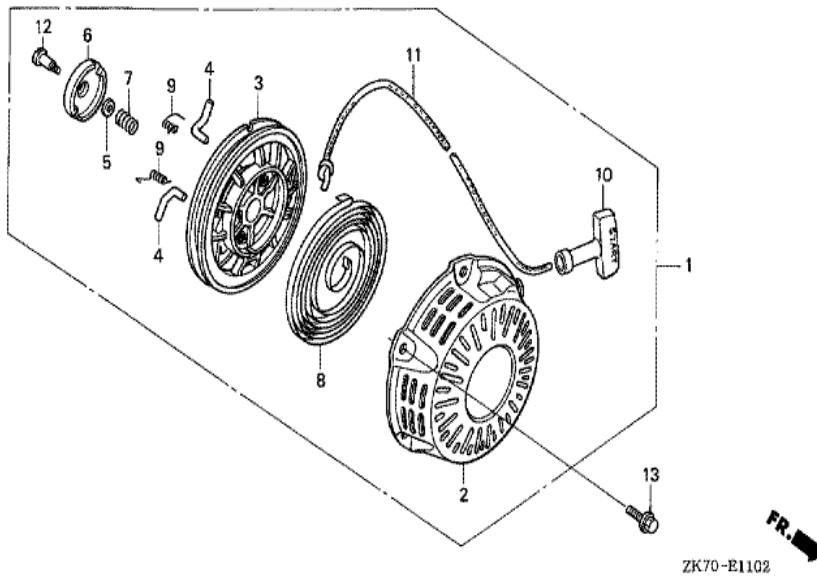


ZK70-E1100

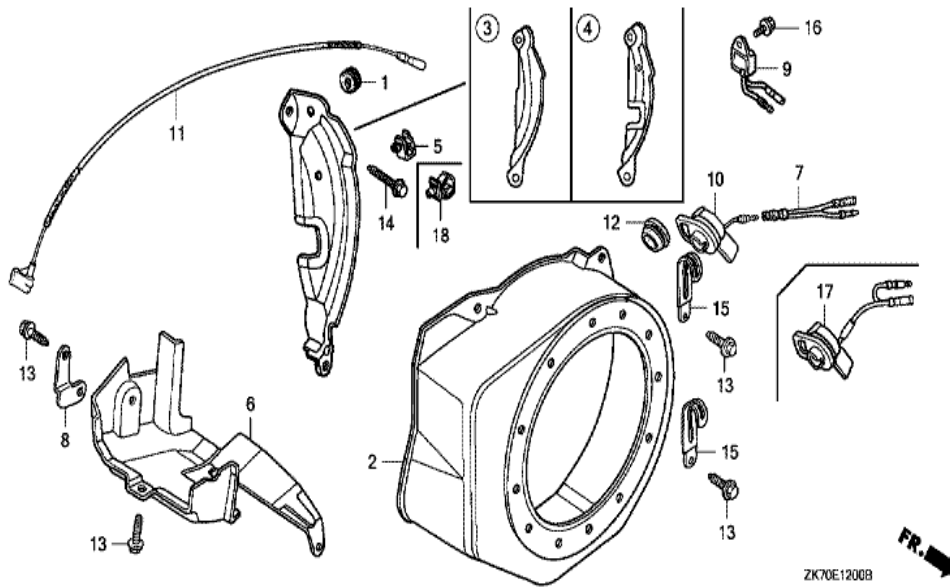


<u>Ref</u>	<u>Partnumber</u>	<u>Description</u>	<u>GX120K1</u>	<u>Serial Numbers</u>
001	28400-ZH8-013YA	STARTER ASSY., RECOIL *R280 *	1	4363433
002	28410-ZH8-003YA	CASE COMP., RECOIL STARTER *R280 *	1	
002	28410-ZH8-003YA	CASE COMP., RECOIL STARTER *R280 *	1	4363433
003	28420-ZH8-013	REEL, RECOIL STARTER (NATURAL)	1	
003	28420-ZH8-013	REEL, RECOIL STARTER (NATURAL)	1	4363433
004	28422-ZH8-013	RATCHET, STARTER	2	
004	28422-ZH8-013	RATCHET, STARTER	2	4363433
005	28433-ZH8-003	GUIDE, RATCHET	1	
005	28433-ZH8-003	GUIDE, RATCHET	1	4363433
006	28441-ZH8-003	SPRING, FRICTION	1	
006	28441-ZH8-003	SPRING, FRICTION	1	4363433
007	28442-ZH8-003	SPRING, RECOIL STARTER	1	
007	28442-ZH8-003	SPRING, RECOIL STARTER	1	4363433
<u>Ref</u>	<u>Partnumber</u>	<u>Description</u>	<u>GX120K1</u>	<u>Serial Numbers</u>
008	28443-ZH8-003	SPRING, RETURN	2	
008	28443-ZH8-003	SPRING, RETURN	2	4363433
009	28461-ZH8-003	GRIP, STARTER	1	
009	28461-ZH8-003	GRIP, STARTER	1	4363433
010	28462-ZH8-003	ROPE, RECOIL STARTER	1	
010	28462-ZH8-003	ROPE, RECOIL STARTER	1	4363433
011	90003-ZH8-003	SCREW, SETTING	1	
011	90003-ZH8-003	SCREW, SETTING	1	4363433
012	90008-ZE2-003	BOLT, FLANGE, 6X10	3	
012	90008-ZE2-003	BOLT, FLANGE, 6X10	3	4363433



Ref	Partnumber	Description	GX120K1	Serial Numbers
001	28400-ZH8-023YA	STARTER ASSY., RECOIL *R280 *	1	
001	28400-ZH8-023YA	STARTER ASSY., RECOIL *R280 *	1	4363434 4657598
001	28400-ZH8-033YA	STARTER ASSY., RECOIL *R280*	(1)	4657599
001	28400-ZH8-033YA	STARTER ASSY., RECOIL *R280*	1	4657599
001	28400-ZH8-033YA	STARTER ASSY., RECOIL *R280*	(1)	4657599
002	28410-ZH8-003YA	CASE COMP., RECOIL STARTER *R280 *	1	
002	28410-ZH8-003YA	CASE COMP., RECOIL STARTER *R280 *	1	4363434
003	28421-ZH8-801	REEL, RECOIL STARTER (BLACK)	1	
003	28421-ZH8-801	REEL, RECOIL STARTER (BLACK)	1	4363434
004	28422-ZH8-801	RATCHET, STARTER	2	
004	28422-ZH8-801	RATCHET, STARTER	2	4363434
005	28431-ZH8-801	PLATE, FRICTION	1	
005	28431-ZH8-801	PLATE, FRICTION	1	4363434

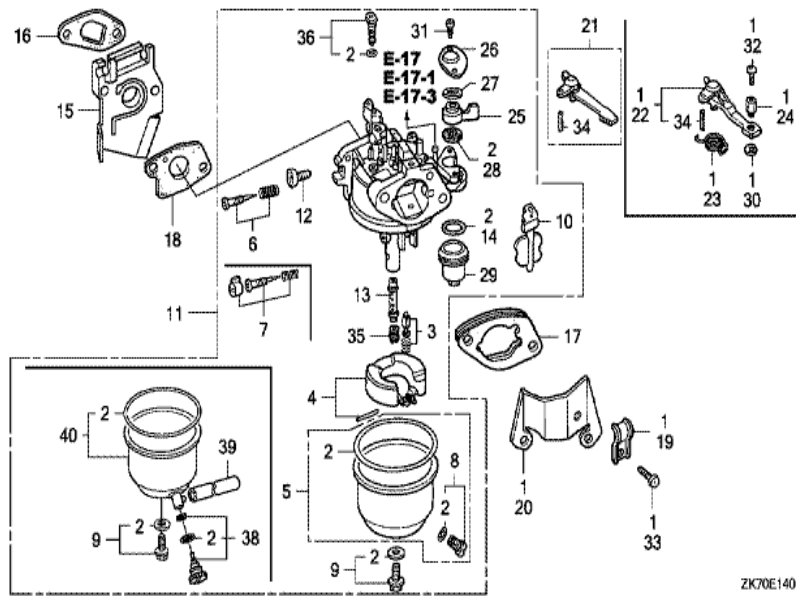
<u>Ref</u>	<u>Partnumber</u>	<u>Description</u>	<u>GX120K1</u>	<u>Serial Numbers</u>
006	28433-ZH8-801	GUIDE, RATCHET	1	
006	28433-ZH8-801	GUIDE, RATCHET	1	4363434
007	28441-ZH8-801	SPRING, FRICTION	1	
007	28441-ZH8-801	SPRING, FRICTION	1	4363434
008	28442-ZH8-003	SPRING, RECOIL STARTER	1	
008	28442-ZH8-003	SPRING, RECOIL STARTER	1	4363434
009	28443-ZH8-801	SPRING, RETURN	2	
009	28443-ZH8-801	SPRING, RETURN	2	4363434
010	28461-ZH8-003	GRIP, STARTER	1	
010	28461-ZH8-003	GRIP, STARTER	1	4363434 4657598
010	28461-ZH8-013	KNOB, RECOIL STARTER	(1)	4657599
010	28461-ZH8-013	KNOB, RECOIL STARTER	1	4657599
010	28461-ZH8-013	KNOB, RECOIL STARTER	(1)	4657599
011	28462-ZH8-003	ROPE, RECOIL STARTER	1	
011	28462-ZH8-003	ROPE, RECOIL STARTER	1	4363434
012	90003-ZH8-801	SCREW, SETTING	1	
012	90003-ZH8-801	SCREW, SETTING	1	4363434
013	90008-ZE2-003	BOLT, FLANGE, 6X10	3	
013	90008-ZE2-003	BOLT, FLANGE, 6X10	3	4363434



ZK70E1200B

FR. →

Ref	Partnumber	Description	GX120K1	Serial Numbers
001	11347-371-300	GROMMET, ADJUSTING COVER	1	
002	19610-ZE0-000ZS	COVER COMP., FAN *R280 *	(1)	
002	19610-ZE0-000ZS	COVER COMP., FAN *R280 *	1	
004	19612-ZH7-821	PLATE, SIDE (LAMP)	1	
004	19612-ZH7-821	PLATE, SIDE (LAMP)	1	
006	19630-ZH7-000	SHROUD COMP.	1	
010	36100-ZE1-015	SWITCH ASSY., ENGINE STOP	(1)	
010	36100-ZE1-015	SWITCH ASSY., ENGINE STOP	1	
011	36101-ZE1-010	CORD, STOP SWITCH (370MM)	1	
013	90013-883-000	BOLT, FLANGE, 6X12 (CT200)	4	
013	90013-883-000	BOLT, FLANGE, 6X12 (CT200)	6	
014	90022-888-010	BOLT, FLANGE, 6X20 (CT200)	1	

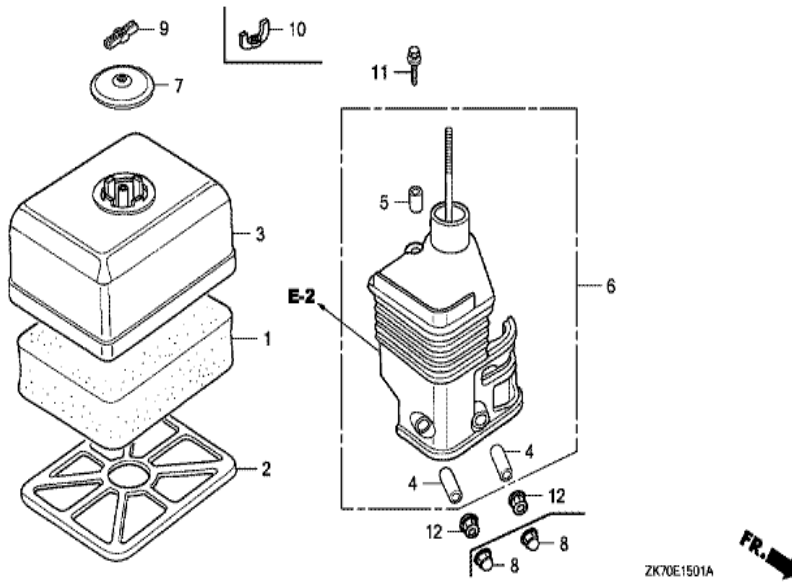


ZK70E1401D

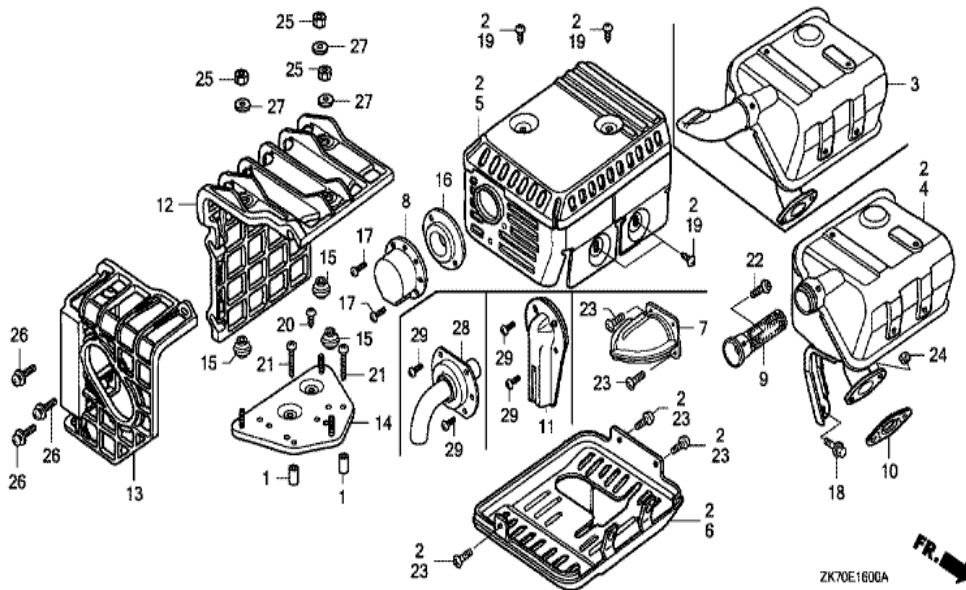


Ref	Partnumber	Description	GX120K1	Serial Numbers
002	16010-ZE1-812	GASKET SET	(1)	
002	16010-ZE1-812	GASKET SET	1	
003	16011-ZE0-005	VALVE SET, FLOAT	1	
004	16013-ZE0-005	FLOAT SET	1	
005	16015-ZE0-831	CHAMBER SET, FLOAT	1	
007	16016-ZH7-W01	SCREW SET, PILOT	1	
008	16024-ZE1-811	SCREW SET, DRAIN	1	
009	16028-ZE0-005	SCREW SET	1	
010	16044-ZE0-005	CHOKE SET	1	
011	16100-ZH7-W61	CARBURETOR ASSY. (BE60C B)	1	
011	16100-ZH7-W61	CARBURETOR ASSY. (BE60C B)	1	
011	16100-ZH7-W61	CARBURETOR ASSY. (BE60C B)	1	
012	16124-ZE0-005	SCREW, THROTTLE STOP	1	

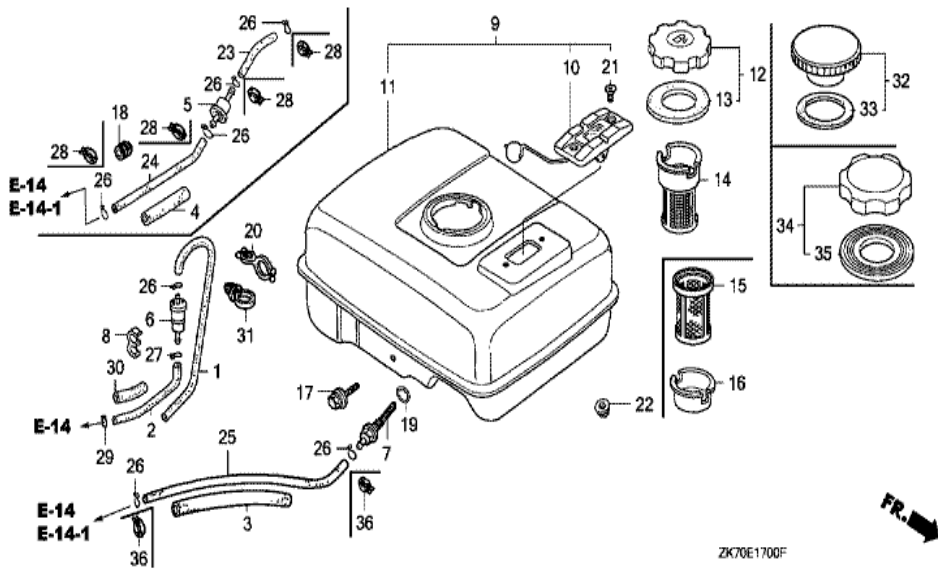
<u>Ref</u>	<u>Partnumber</u>	<u>Description</u>	<u>GX120K1</u>	<u>Serial Numbers</u>
013	16166-ZH7-W50	NOZZLE, MAIN	1	
013	16166-ZH7-W50	NOZZLE, MAIN	1	
014	16173-001-004	PACKING, FUEL STRAINER CUP	1	
015	16211-ZE0-000	INSULATOR, CARBURETOR	1	
016	16212-ZH7-800	PACKING, INSULATOR	1	
017	16220-ZE1-020	SPACER COMP., CARBURETOR	1	
017	16220-ZE1-020	SPACER COMP., CARBURETOR	1	
018	16221-ZH8-801	PACKING, CARBURETOR	1	
018	16221-ZH8-801	PACKING, CARBURETOR	1	
021	16610-ZE1-000	LEVER COMP., CHOKE (STD.)	(1)	
021	16610-ZE1-000	LEVER COMP., CHOKE (STD.)	1	
025	16953-ZE1-812	LEVER, COCK	1	
026	16954-ZE1-812	PLATE, LEVER SETTING	1	
027	16956-ZE1-811	SPRING, COCK LEVER	1	
028	16957-ZE1-812	PACKING, FUEL COCK	1	
029	16967-ZE0-811	CUP, FUEL STRAINER	1	
030	90605-230-000	CIRCLIP, 5MM	1	
031	93500-030061H	SCREW, PAN, 3X6	2	
034	94305-20122	PIN, SPRING, 2X12	1	
035	99101-ZH80580	JET, MAIN, #58	(1)	BE12A B
035	99101-ZH80580	JET, MAIN, #58	(1)	
035	99101-ZH80600	JET, MAIN, #60	(1)	
035	99101-ZH80600	JET, MAIN, #60	(1)	
035	99101-ZH80620	JET, MAIN, #62	1	BE60L A
035	99101-ZH80620	JET, MAIN, #62	1	
036	99204-ZE00350	JET SET, PILOT, #35	1	



Ref	Partnumber	Description	GX120K1	Serial Numbers
001	17211-ZE1-000	ELEMENT, AIR CLEANER (SEMI DRY)	1	
002	17212-ZE1-000	GRID, AIR CLEANER (SEMI DRY)	1	
003	17231-ZE0-000	COVER, AIR CLEANER (SEMI DRY)	1	
004	17238-ZE0-010	COLLAR, AIR CLEANER	2	
005	17239-ZE1-000	COLLAR B, AIR CLEANER	1	
006	17410-ZE0-030	ELBOW COMP., AIR CLEANER	1	
007	17421-ZE1-000	CAP, CLEANER	1	
010	90325-044-000	NUT, TOOL BOX SETTING	1	
011	95701-0602000	BOLT, FLANGE, 6X20	1	
011	95701-0602000	BOLT, FLANGE, 6X20	1	
012	94050-06000	NUT, FLANGE, 6MM	2	



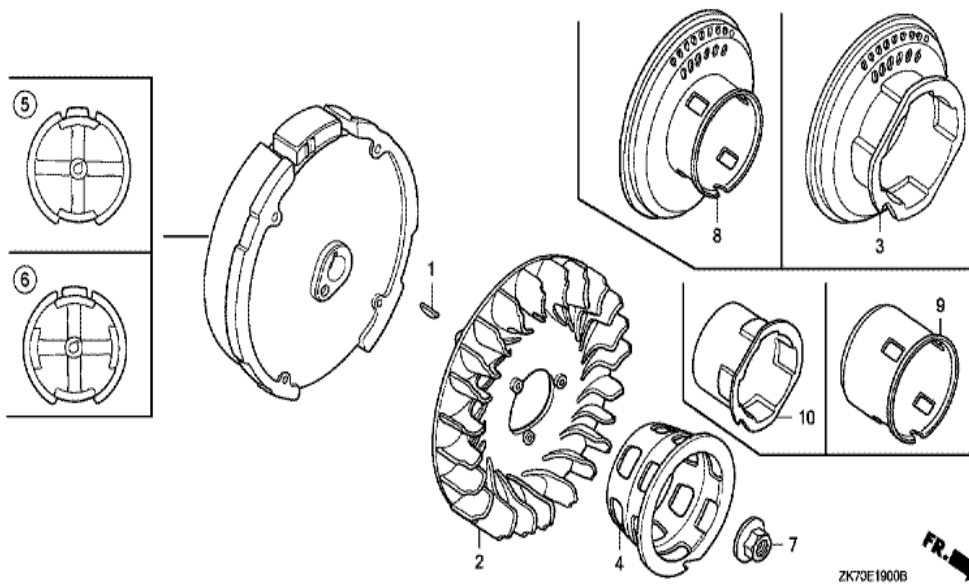
<u>Ref</u>	<u>Partnumber</u>	<u>Description</u>	<u>GX120K1</u>	<u>Serial Numbers</u>
002	18300-ZH8-840	MUFFLER ASSY. (LOWER PROTECTOR)	1	
002	18300-ZH8-841	MUFFLER ASSY. (LOWER PROTECTOR)	1	4661868
002	18300-ZH8-841	MUFFLER ASSY. (LOWER PROTECTOR)	1	4661868
004	18310-ZF1-000	MUFFLER COMP. (STD.)	1	
004	18310-ZF1-000	MUFFLER COMP. (STD.)	1	
005	18320-ZF1-H01	PROTECTOR, MUFFLER (STD.) (BLACK)	1	
005	18320-ZF1-H01	PROTECTOR, MUFFLER (STD.) (BLACK)	1	4661346
005	18320-ZF1-H02	PROTECTOR, MUFFLER (STD.) (BLACK)	(1)	4661347
005	18320-ZF1-H02	PROTECTOR, MUFFLER (STD.) (BLACK)	1	4661347
005	18320-ZF1-H02	PROTECTOR, MUFFLER (STD.) (BLACK)	(1)	4661347
006	18325-ZE1-010	PROTECTOR, LOWER	1	
008	18340-ZE1-010	DEFLECTOR COMP.	1	
010	18381-ZH8-800	GASKET, MUFFLER	1	
<u>Ref</u>	<u>Partnumber</u>	<u>Description</u>	<u>GX120K1</u>	<u>Serial Numbers</u>
016	18522-ZE1-000	GUIDE, MUFFLER	1	
017	90002-ZG0-003	SCREW, TAPPING, 4X8	2	
019	90050-ZE1-000	SCREW, TAPPING, 5X8	4	
023	90055-ZE1-000	SCREW, TAPPING, 4X6	3	
024	94001-080000S	NUT, HEX., 8MM	2	
024	94001-080000S	NUT, HEX., 8MM	2	



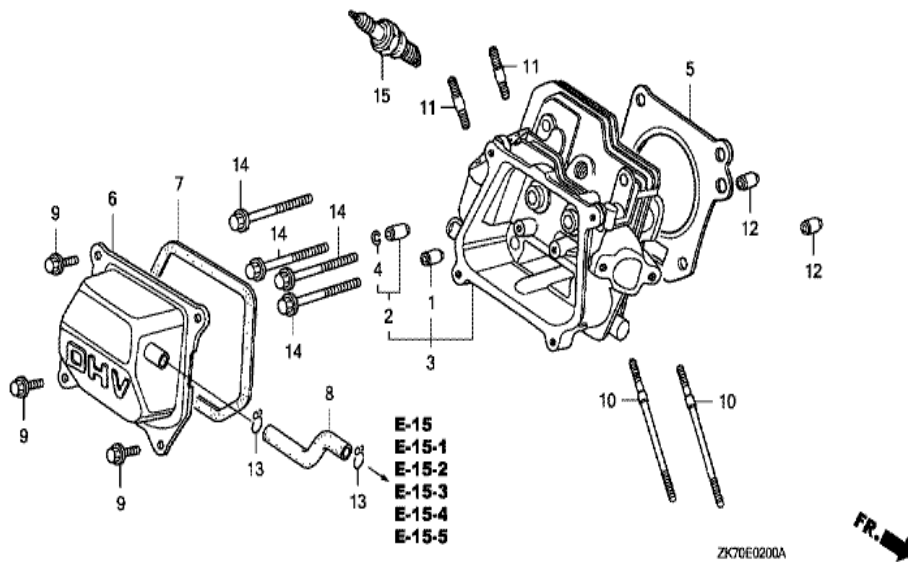
FR. →

ZK70E1700F

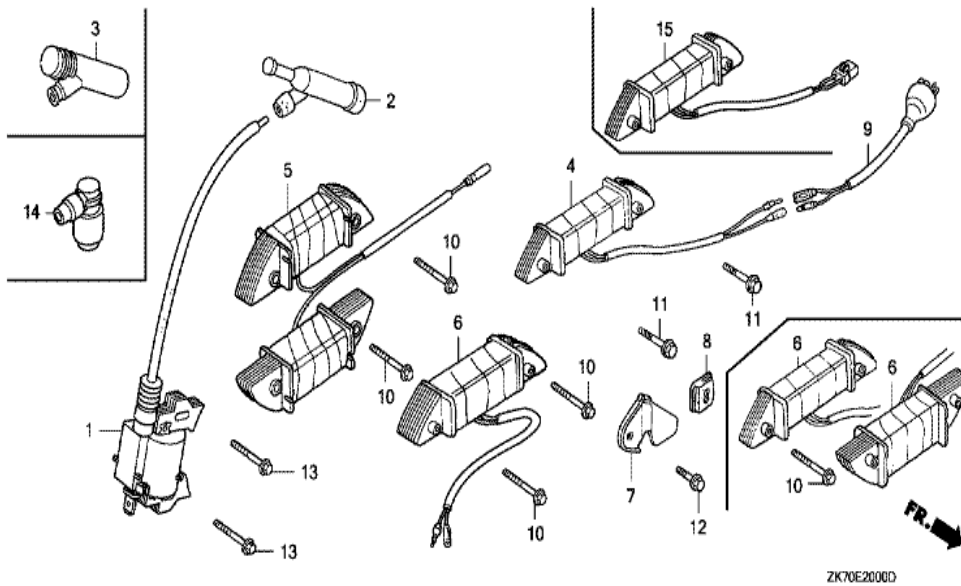
Ref	Partnumber	Description	GX120K1	Serial Numbers
003	16854-ZH8-000	RUBBER, SUPPORTER (107MM)	1	
007	16955-ZE1-000	JOINT, FUEL TANK	1	
011	17510-ZE0-020ZA	TANK COMP., FUEL *NH31 *	1	
014	17672-ZE2-W01	FILTER, FUEL	1	
014	17672-ZE2-W01	FILTER, FUEL	1	
017	90004-ZH7-003	BOLT, FLANGE, 6X29	1	
019	91353-671-004	O-RING, 14MM (NOK)	1	
022	94050-06000	NUT, FLANGE, 6MM	2	
025	95001-4514040	TUBE, FUEL, 4.5X140 (95001-45001-60M)	(1)	
025	95001-4514040	TUBE, FUEL, 4.5X140 (95001-45001-60M)	1	
026	95002-02080	CLIP, TUBE (B8)	1	
026	95002-02080	CLIP, TUBE (B8)	2	
034	17620-Z0T-305	CAP COMP., FUEL FILLER (CHROME PLATED)	1	
Ref	Partnumber	Description	GX120K1	Serial Numbers
035	17631-Z0T-812	PACKING, FUEL FILLER CAP (39X62X3) (TOUY)	1	



Ref	Partnumber	Description	GX120K1	Serial Numbers
001	13331-357-000	KEY, SPECIAL WOODRUFF, 25X18	1	
002	19511-ZE0-000	FAN, COOLING	1	
006	31100-ZE0-811	FLYWHEEL COMP. (LAMP)	1	
006	31100-ZE0-811	FLYWHEEL COMP. (LAMP)	1	4553617
006	31100-ZE0-812	FLYWHEEL COMP. (LAMP)	1	4553618
006	31100-ZE0-812	FLYWHEEL COMP. (LAMP)	1	4553618
007	90201-878-003	NUT, SPECIAL, 14MM	1	
009	28451-ZH7-801	PULLEY, STARTER	1	
009	28451-ZH7-801	PULLEY, STARTER	1	4363434
010	28451-ZH7-003	PULLEY, STARTER	1	
010	28451-ZH7-003	PULLEY, STARTER	1	4363433

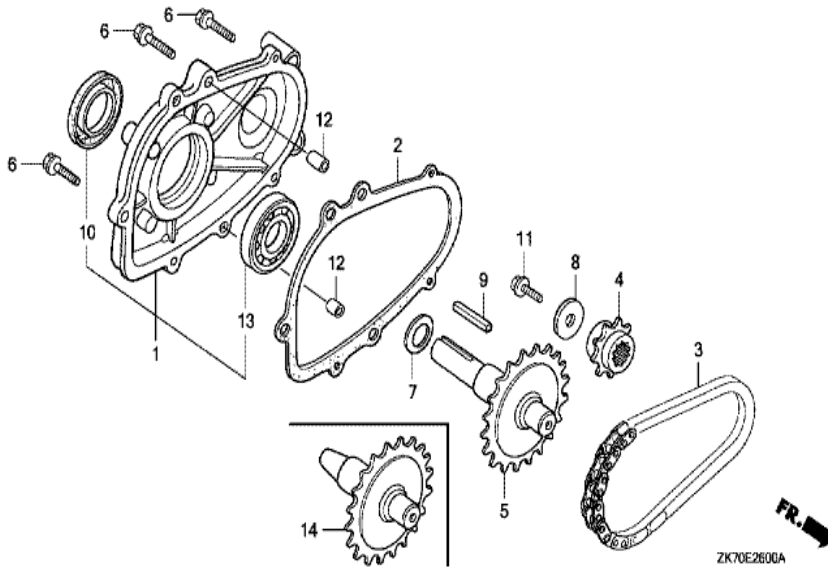


Ref	Partnumber	Description	GX120K1	Serial Numbers
001	12204-ZE1-306	GUIDE, IN. VALVE (OS)	(1)	
002	12205-ZE1-315	GUIDE, EX. VALVE (OS)	(1)	
003	12210-ZH7-405	HEAD COMP., CYLINDER	1	
003	12210-ZH7-405	HEAD COMP., CYLINDER	1	4516043
003	12210-ZH7-415	HEAD COMP., CYLINDER	1	
003	12210-ZH7-415	HEAD COMP., CYLINDER	1	4516044
004	12216-ZE5-300	CLIP, VALVE GUIDE	1	
005	12251-ZH7-800	GASKET, CYLINDER HEAD	(1)	
005	12251-ZH7-800	GASKET, CYLINDER HEAD	1	
006	12310-ZE1-020	COVER COMP., HEAD	1	
006	12310-ZE1-020	COVER COMP., HEAD	1	
007	12391-ZE1-000	PACKING, HEAD COVER	1	
008	15721-ZH8-000	TUBE, BREATHER	(1)	
<u>Ref</u>	<u>Partnumber</u>	<u>Description</u>	<u>GX120K1</u>	<u>Serial Numbers</u>
008	15721-ZH8-000	TUBE, BREATHER	1	
009	90013-883-000	BOLT, FLANGE, 6X12 (CT200)	4	
010	90043-ZE1-020	BOLT, STUD, 6X112	2	
010	90043-ZE1-020	BOLT, STUD, 6X112	2	
011	90047-ZE1-000	BOLT, STUD, 8X32	2	
012	94301-10160	DOWEL PIN, 10X16	2	
014	95701-0805500	BOLT, FLANGE, 8X55	4	4532610
014	95723-0805500	BOLT, FLANGE, 8X55	4	
014	95723-0805500	BOLT, FLANGE, 8X55	4	4532609
015	98079-56846	PLUG, SPARK (BPR6ES) (NGK)	(1)	
015	98079-56846	PLUG, SPARK (BPR6ES) (NGK)	1	
015	98079-56855	PLUG, SPARK (W20EPR-U) (DENSO)	(1)	
015	98079-56855	PLUG, SPARK (W20EPR-U) (DENSO)	1	

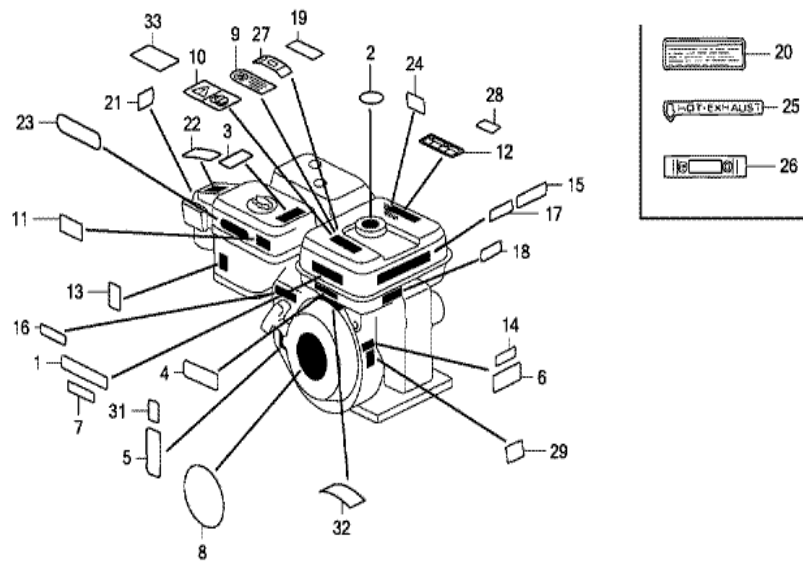


ZK70E2000D

<u>Ref</u>	<u>Partnumber</u>	<u>Description</u>	<u>GX120K1</u>	<u>Serial Numbers</u>
001	30500-ZE1-043	COIL ASSY., IGNITION	1	4450768
001	30500-ZE1-043	COIL ASSY., IGNITION	1	4450768
001	30500-ZE1-053	COIL ASSY., IGNITION	1	4456559
001	30500-ZE1-053	COIL ASSY., IGNITION	1	4450769 4456559
001	30500-ZE1-063	COIL ASSY., IGNITION	1	4456560
001	30500-ZE1-063	COIL ASSY., IGNITION	1	4456560 4569508
001	30500-ZE1-073	COIL ASSY., IGNITION	1	4569509
001	30500-ZE1-073	COIL ASSY., IGNITION	1	4569509
002	30700-ZE1-013	CAP ASSY., NOISE SUPPRESSOR (NICHIIWA Y-E	(1)	
002	30700-ZE1-013	CAP ASSY., NOISE SUPPRESSOR (NICHIIWA Y-E	1	
006	31510-ZE1-811	COIL ASSY., LAMP (12V/25W)	1	
006	31510-ZE1-811	COIL ASSY., LAMP (12V/25W)	2	
007	31511-ZE1-000	CLAMPER, CORD	1	
<u>Ref</u>	<u>Partnumber</u>	<u>Description</u>	<u>GX120K1</u>	<u>Serial Numbers</u>
008	31512-ZE1-000	GROMMET, CORD	1	
010	90015-883-000	BOLT, FLANGE, 6X28 (CT200)	2	
010	90015-883-000	BOLT, FLANGE, 6X28 (CT200)	4	
012	90019-883-000	BOLT, FLANGE, 5X10	1	
013	90121-952-000	BOLT, FLANGE, 6X25 (CT200)	2	

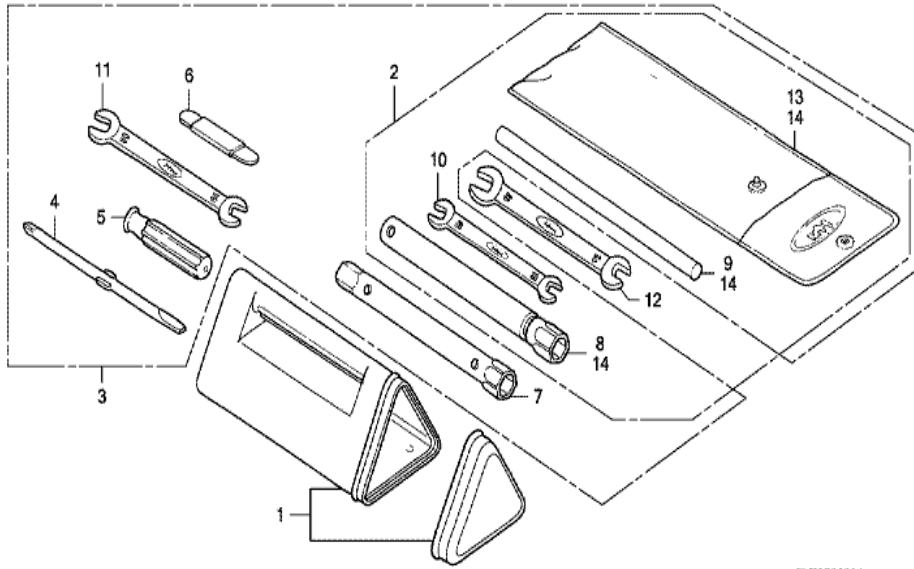


<u>Ref</u>	<u>Partnumber</u>	<u>Description</u>	<u>GX120K1</u>	<u>Serial Numbers</u>
001	11500-ZE1-611	COVER ASSY., CHAIN CASE	1	
002	11521-ZH8-800	PACKING, CHAIN CASE COVER	1	
003	14411-ZE0-611	CHAIN, P.T.O. DRIVE (DID270S-DHA-36LE)	1	
004	23110-ZE0-610	SPROCKET, DRIVE (14T)	1	
005	23710-ZE0-613	SHAFT, P.T.O. (28T)	1	
006	90015-883-000	BOLT, FLANGE, 6X28 (CT200)	5	
006	90015-883-000	BOLT, FLANGE, 6X28 (CT200)	5	
007	90456-ZE1-000	SPRING, THRUST	1	
008	90471-ZE1-610	WASHER, 8MM	1	
009	90741-883-810	KEY, 5X5X33 (YELLOW)	1	
010	91201-ZOT-801	OIL SEAL, 25X41X6 (NOK)	1	
011	92101-080250A	BOLT, HEX., 8X25	1	
011	92101-080250A	BOLT, HEX., 8X25	1	
<u>Ref</u>	<u>Partnumber</u>	<u>Description</u>	<u>GX120K1</u>	<u>Serial Numbers</u>
012	94301-08140	DOWEL PIN, 8X14	2	
013	96100-6205000	BEARING, RADIAL BALL, 6205	1	



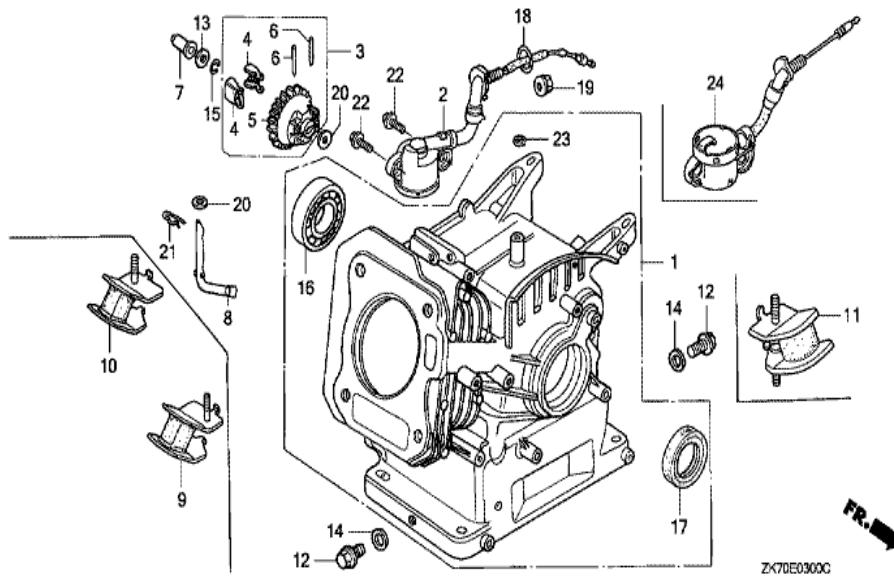
ZK70E2800D

Ref	Partnumber	Description	GX120K1	Serial Numbers
004	87135-ZE2-020	LABEL, E-SPEC (15.5X27.5)	1	
004	87135-ZE2-020	LABEL, E-SPEC (15.5X27.5)	1	4500394
007	87520-ZH8-000	MARK A, COMBINATION (JAPANESE)	1	
008	87521-ZH7-030	EMBLEM (4.0)	1	4553667
008	87521-ZH7-030	EMBLEM (4.0)	1	
008	87521-ZH7-040	EMBLEM (GX120)	1	4553668
012	87526-ZH8-000	MARK B, COMBINATION (JAPANESE)	1	
013	87528-ZE1-810	MARK, CHOKE	1	4462599
013	87528-ZE1-810	MARK, CHOKE	1	
013	87528-ZE1-810	MARK, CHOKE	(1)	
031	87114-ZH7-000	LABEL, WARNING (NOT CERTIFIED FOR SALE)	1	
031	87114-ZH7-000	LABEL, WARNING (NOT CERTIFIED FOR SALE)	1	4452742



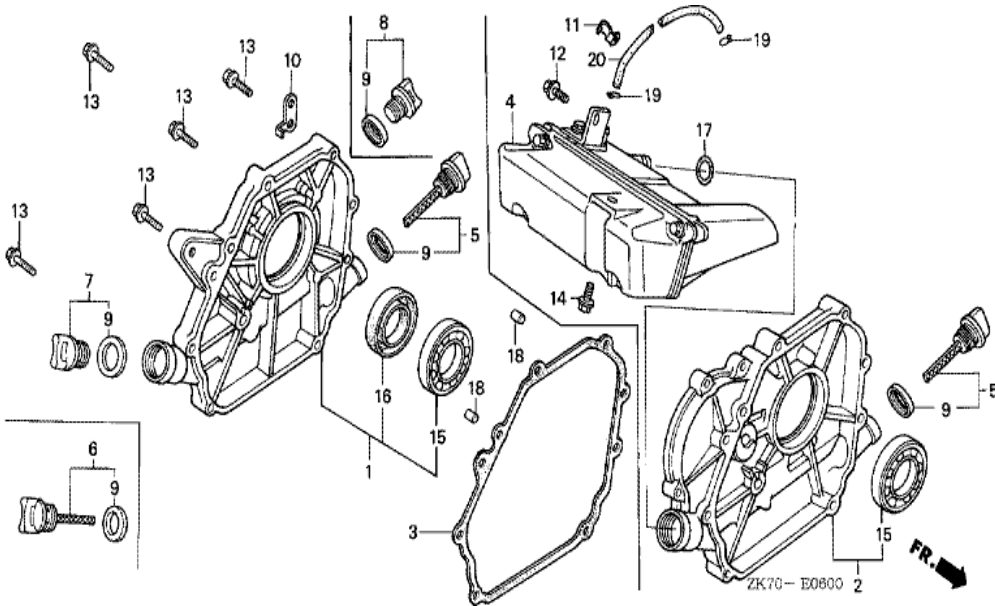
ZK70E2900A

Ref	Partnumber	Description	GX120K1	Serial Numbers
008	89218-ZE1-000	WRENCH COMP., SPARK PLUG	1	

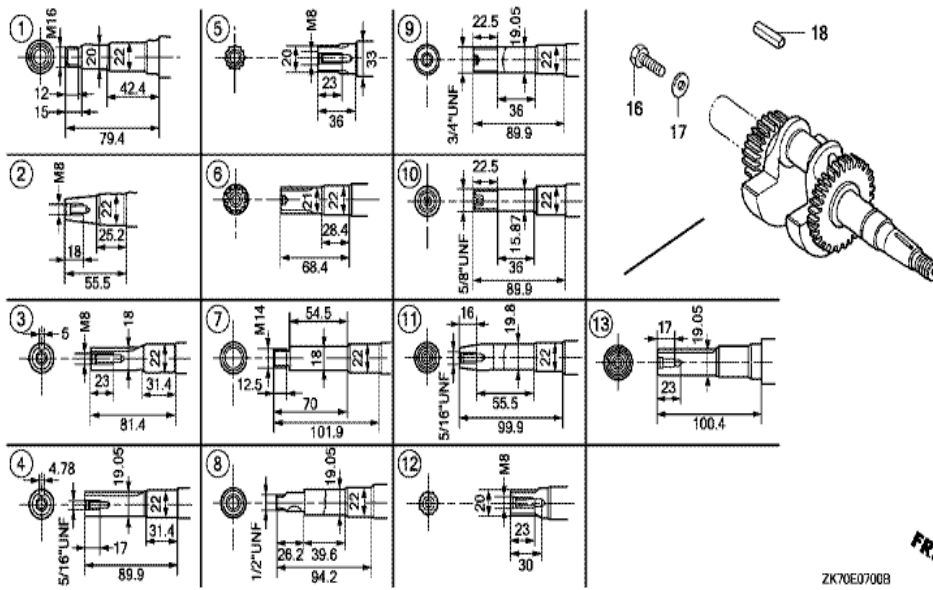


ZK70E0300C

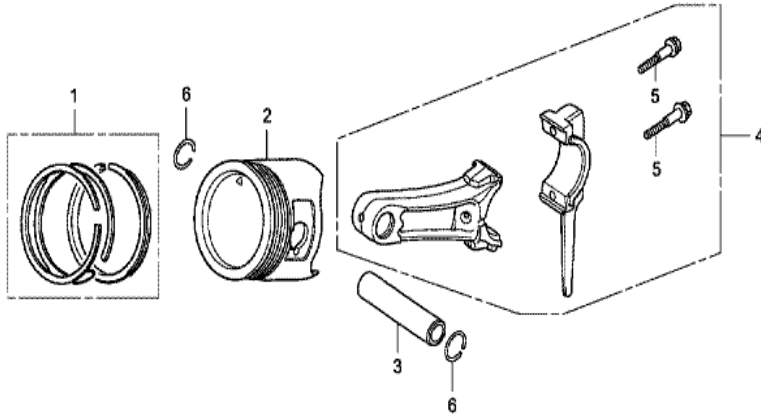
<u>Ref</u>	<u>Partnumber</u>	<u>Description</u>	<u>GX120K1</u>	<u>Serial Numbers</u>
001	12000-ZF0-425	BARREL ASSY., CYLINDER	1	
003	16510-ZE1-000	GOVERNOR ASSY.	1	
004	16511-ZE1-000	WEIGHT, GOVERNOR	2	
005	16512-ZE1-000	HOLDER, GOVERNOR WEIGHT	1	
006	16513-ZE1-000	PIN, GOVERNOR WEIGHT	2	
007	16531-ZE1-000	SLIDER, GOVERNOR	1	
008	16541-ZE1-000	SHAFT, GOVERNOR ARM	1	
012	90131-ZE1-000	BOLT, DRAIN PLUG	2	
013	90451-ZE1-000	WASHER, THRUST, 6MM	1	
014	90601-ZE1-000	WASHER, DRAIN PLUG, 10.2MM	2	
015	90602-ZE1-000	CLIP, GOVERNOR HOLDER	1	
016	91001-878-003	BEARING, RADIAL BALL,	1	
017	91202-ZE6-013	OIL SEAL, 22X35X6	1	
<u>Ref</u>	<u>Partnumber</u>	<u>Description</u>	<u>GX120K1</u>	<u>Serial Numbers</u>
020	94101-06800	WASHER, PLAIN, 6MM	2	
021	94251-08000	PIN, LOCK, 8MM	1	



Ref	Partnumber	Description	GX120K1	Serial Numbers
002	11300-ZE0-613	COVER ASSY., CRANKCASE	1	
003	11381-ZH7-800	PACKING, CASE COVER	1	
005	15600-ZE1-003	CAP ASSY., OIL FILLER (GRAY)	1	
007	15600-ZG4-003	CAP ASSY., OIL FILLER	1	
009	15625-ZE1-003	PACKING, OIL FILLER CAP	1	
009	15625-ZE1-003	PACKING, OIL FILLER CAP	2	
013	90015-883-000	BOLT, FLANGE, 6X28 (CT200)	7	
015	91001-878-003	BEARING, RADIAL BALL,	1	
018	94301-08140	DOWEL PIN, 8X14	2	



Ref	Partnumber	Description	GX120K1	Serial Numbers
005	13310-ZE0-610	CRANKSHAFT COMP.	1	
016	92101-080250A	BOLT, HEX., 8X25	1	
016	92101-080250A	BOLT, HEX., 8X25	1	
017	90473-842-000	WASHER, 8MM	1	

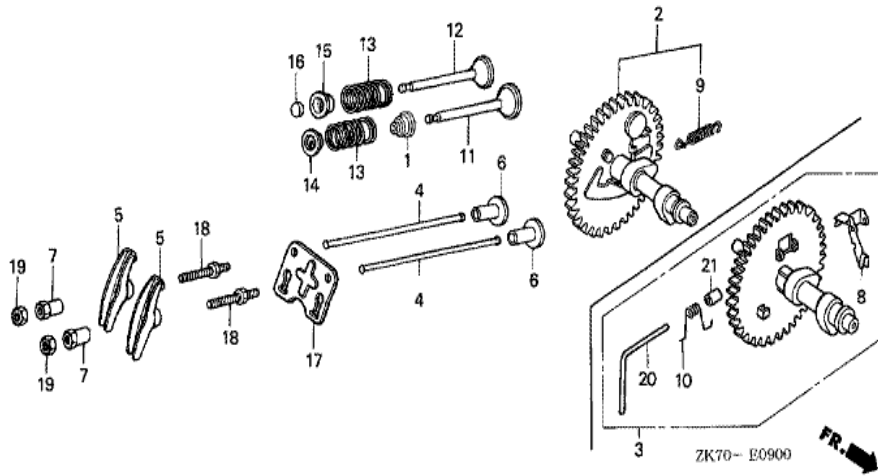


ZK70E0800A



Ref	Partnumber	Description	GX120K1	Serial Numbers
001	13010-Z4F-004	RING SET, PISTON (STD.) (TEIKOKU)	1	4554250
001	13010-ZH7-003	RING SET, PISTON (STD.) (TEIKOKU)	1	4554249
001	13010-ZH7-003	RING SET, PISTON (STD.) (TEIKOKU)	1	4554249
001	13010-ZH7-004	RING SET, PISTON (STD.) (NIPPON)	1	4554249
001	13010-ZH7-004	RING SET, PISTON (STD.) (NIPPON)	1	4554249
001	13011-Z4F-004	RING SET, PISTON (0.25) (TEIKOKU)	(1)	4554250
001	13011-Z4F-004	RING SET, PISTON (0.25) (TEIKOKU)	(1)	4554250
001	13011-ZH7-003	RING SET, PISTON (0.25) (TEIKOKU)	(1)	
001	13011-ZH7-003	RING SET, PISTON (0.25) (TEIKOKU)	(1)	4554249
001	13011-ZH7-004	RING SET, PISTON (0.25) (NIPPON)	(1)	
001	13011-ZH7-004	RING SET, PISTON (0.25) (NIPPON)	(1)	4554249
001	13012-Z4F-004	RING SET, PISTON (0.50) (TEIKOKU)	(1)	4554250
001	13012-Z4F-004	RING SET, PISTON (0.50) (TEIKOKU)	(1)	4554250

<u>Ref</u>	<u>Partnumber</u>	<u>Description</u>	<u>GX120K1</u>	<u>Serial Numbers</u>
001	13012-ZH7-003	RING SET, PISTON (0.50) (TEIKOKU)	(1)	4554249
001	13012-ZH7-003	RING SET, PISTON (0.50) (TEIKOKU)	(1)	4554249
001	13012-ZH7-004	RING SET, PISTON (0.50) (NIPPON)	(1)	4554249
001	13012-ZH7-004	RING SET, PISTON (0.50) (NIPPON)	(1)	4554249
001	13013-Z4F-004	RING SET, PISTON (0.75) (TEIKOKU)	(1)	4554250
001	13013-Z4F-004	RING SET, PISTON (0.75) (TEIKOKU)	(1)	4554250
001	13013-ZH7-003	RING SET, PISTON (0.75) (TEIKOKU)	(1)	4554249
001	13013-ZH7-003	RING SET, PISTON (0.75) (TEIKOKU)	(1)	4554249
001	13013-ZH7-004	RING SET, PISTON (0.75) (NIPPON)	(1)	
001	13013-ZH7-004	RING SET, PISTON (0.75) (NIPPON)	(1)	4554249
002	13101-ZH7-010	PISTON (STD.)	1	
002	13101-ZH7-010	PISTON (STD.)	1	4554249
002	13101-ZH7-010	PISTON (STD.)	1	4554249
002	13101-ZH7-020	PISTON (STD.)	1	4554250
002	13101-ZH7-020	PISTON (STD.)	1	4554250
002	13101-ZH7-020	PISTON (STD.)	1	4554250
002	13102-ZH7-010	PISTON (0.25)	(1)	4554249
002	13102-ZH7-010	PISTON (0.25)	(1)	4554249
002	13102-ZH7-010	PISTON (0.25)	(1)	4554249
002	13102-ZH7-020	PISTON (0.25)	(1)	4554250
002	13102-ZH7-020	PISTON (0.25)	(1)	4554250
002	13102-ZH7-020	PISTON (0.25)	(1)	4554250
002	13103-ZH7-010	PISTON (0.50)	(1)	4554249
002	13103-ZH7-010	PISTON (0.50)	(1)	4554249
002	13103-ZH7-010	PISTON (0.50)	(1)	4554249
002	13103-ZH7-020	PISTON (0.50)	(1)	4554250
002	13103-ZH7-020	PISTON (0.50)	(1)	4554250
002	13103-ZH7-020	PISTON (0.50)	(1)	4554250
002	13104-ZH7-010	PISTON (0.75)	(1)	
002	13104-ZH7-010	PISTON (0.75)	(1)	4554249
002	13104-ZH7-010	PISTON (0.75)	(1)	4554249
002	13104-ZH7-020	PISTON (0.75)	(1)	4554250
002	13104-ZH7-020	PISTON (0.75)	(1)	4554250
<u>Ref</u>	<u>Partnumber</u>	<u>Description</u>	<u>GX120K1</u>	<u>Serial Numbers</u>
002	13104-ZH7-020	PISTON (0.75)	(1)	4554250
003	13111-ZE0-000	PIN, PISTON	1	
004	13200-ZE0-000	ROD ASSY., CONNECTING	1	
005	90001-ZE1-000	BOLT, CONNECTING ROD	2	
006	90551-ZE0-000	CLIP, PISTON PIN, 13MM	2	



<u>Ref</u>	<u>Partnumber</u>	<u>Description</u>	<u>GX120K1</u>	<u>Serial Numbers</u>
001	12209-ZH8-003	SEAL, VALVE STEM	1	
002	14100-ZE0-812	CAMSHAFT ASSY.	1	
004	14410-ZE0-010	ROD, PUSH	2	
005	14431-ZE1-000	ARM, VALVE ROCKER	2	
006	14441-ZE1-010	LIFTER, VALVE	2	
007	14451-ZE1-013	PIVOT, ROCKER ARM	2	
007	14451-ZE1-013	PIVOT, ROCKER ARM	2	
009	14568-ZE1-000	SPRING, WEIGHT RETURN	1	
011	14711-ZF0-010	VALVE, IN.	1	
011	14711-ZF0-010	VALVE, IN.	1	
012	14721-ZF0-000	VALVE, EX.	1	
013	14751-ZF1-000	SPRING, VALVE	2	
014	14771-ZE1-000	RETAINER, IN. VALVE SPRING	1	
<u>Ref</u>	<u>Partnumber</u>	<u>Description</u>	<u>GX120K1</u>	<u>Serial Numbers</u>
015	14773-ZE1-000	RETAINER, EX. VALVE SPRING	1	
016	14781-ZE1-000	ROTATOR, VALVE	1	
017	14791-ZE0-010	PLATE, PUSH ROD GUIDE	1	
018	90012-ZE0-010	BOLT, PIVOT, 8MM	2	
019	90206-ZE1-000	NUT, PIVOT ADJUSTING	2	