



ZK70-E1100



| <u>Ref</u> | <u>Partnumber</u> | <u>Description</u> | <u>GX120K1</u> | <u>Serial Numbers</u> |
|------------|-------------------|------------------------------------|----------------|-----------------------|
| 001 | 28400-ZH8-013YA | STARTER ASSY., RECOIL *R280 * | 1 | 4363433 |
| 002 | 28410-ZH8-003YA | CASE COMP., RECOIL STARTER *R280 * | 1 | |
| 002 | 28410-ZH8-003YA | CASE COMP., RECOIL STARTER *R280 * | 1 | 4363433 |
| 003 | 28420-ZH8-013 | REEL, RECOIL STARTER (NATURAL) | 1 | |
| 003 | 28420-ZH8-013 | REEL, RECOIL STARTER (NATURAL) | 1 | 4363433 |
| 004 | 28422-ZH8-013 | RATCHET, STARTER | 2 | |
| 004 | 28422-ZH8-013 | RATCHET, STARTER | 2 | 4363433 |
| 005 | 28433-ZH8-003 | GUIDE, RATCHET | 1 | |
| 005 | 28433-ZH8-003 | GUIDE, RATCHET | 1 | 4363433 |
| 006 | 28441-ZH8-003 | SPRING, FRICTION | 1 | |
| 006 | 28441-ZH8-003 | SPRING, FRICTION | 1 | 4363433 |
| 007 | 28442-ZH8-003 | SPRING, RECOIL STARTER | 1 | |
| 007 | 28442-ZH8-003 | SPRING, RECOIL STARTER | 1 | 4363433 |
| <u>Ref</u> | <u>Partnumber</u> | <u>Description</u> | <u>GX120K1</u> | <u>Serial Numbers</u> |
| 008 | 28443-ZH8-003 | SPRING, RETURN | 2 | |
| 008 | 28443-ZH8-003 | SPRING, RETURN | 2 | 4363433 |
| 009 | 28461-ZH8-003 | GRIP, STARTER | 1 | |
| 009 | 28461-ZH8-003 | GRIP, STARTER | 1 | 4363433 |
| 010 | 28462-ZH8-003 | ROPE, RECOIL STARTER | 1 | |
| 010 | 28462-ZH8-003 | ROPE, RECOIL STARTER | 1 | 4363433 |
| 011 | 90003-ZH8-003 | SCREW, SETTING | 1 | |
| 011 | 90003-ZH8-003 | SCREW, SETTING | 1 | 4363433 |
| 012 | 90008-ZE2-003 | BOLT, FLANGE, 6X10 | 3 | |
| 012 | 90008-ZE2-003 | BOLT, FLANGE, 6X10 | 3 | 4363433 |



ZK70-E1102

| <u>Ref</u> | <u>Partnumber</u> | <u>Description</u> | <u>GX120K1</u> | <u>Serial Numbers</u> |
|------------|-------------------|------------------------------------|----------------|-----------------------|
| 001 | 28400-ZH8-023YA | STARTER ASSY., RECOIL *R280 * | 1 | |
| 001 | 28400-ZH8-023YA | STARTER ASSY., RECOIL *R280 * | 1 | 4363434 |
| 002 | 28410-ZH8-003YA | CASE COMP., RECOIL STARTER *R280 * | 1 | |
| 002 | 28410-ZH8-003YA | CASE COMP., RECOIL STARTER *R280 * | 1 | 4363434 |
| 003 | 28421-ZH8-801 | REEL, RECOIL STARTER (BLACK) | 1 | |
| 003 | 28421-ZH8-801 | REEL, RECOIL STARTER (BLACK) | 1 | 4363434 |
| 004 | 28422-ZH8-801 | RATCHET, STARTER | 2 | |
| 004 | 28422-ZH8-801 | RATCHET, STARTER | 2 | 4363434 |
| 005 | 28431-ZH8-801 | PLATE, FRICTION | 1 | |
| 005 | 28431-ZH8-801 | PLATE, FRICTION | 1 | 4363434 |
| 006 | 28433-ZH8-801 | GUIDE, RATCHET | 1 | |
| 006 | 28433-ZH8-801 | GUIDE, RATCHET | 1 | 4363434 |
| 007 | 28441-ZH8-801 | SPRING, FRICTION | 1 | |
| <u>Ref</u> | <u>Partnumber</u> | <u>Description</u> | <u>GX120K1</u> | <u>Serial Numbers</u> |
| 007 | 28441-ZH8-801 | SPRING, FRICTION | 1 | 4363434 |
| 008 | 28442-ZH8-003 | SPRING, RECOIL STARTER | 1 | |
| 008 | 28442-ZH8-003 | SPRING, RECOIL STARTER | 1 | 4363434 |
| 009 | 28443-ZH8-801 | SPRING, RETURN | 2 | |
| 009 | 28443-ZH8-801 | SPRING, RETURN | 2 | 4363434 |
| 010 | 28461-ZH8-003 | GRIP, STARTER | 1 | |
| 010 | 28461-ZH8-003 | GRIP, STARTER | 1 | 4363434 |
| 011 | 28462-ZH8-003 | ROPE, RECOIL STARTER | 1 | |
| 011 | 28462-ZH8-003 | ROPE, RECOIL STARTER | 1 | 4363434 |
| 012 | 90003-ZH8-801 | SCREW, SETTING | 1 | |
| 012 | 90003-ZH8-801 | SCREW, SETTING | 1 | 4363434 |
| 013 | 90008-ZE2-003 | BOLT, FLANGE, 6X10 | 3 | |
| 013 | 90008-ZE2-003 | BOLT, FLANGE, 6X10 | 3 | 4363434 |

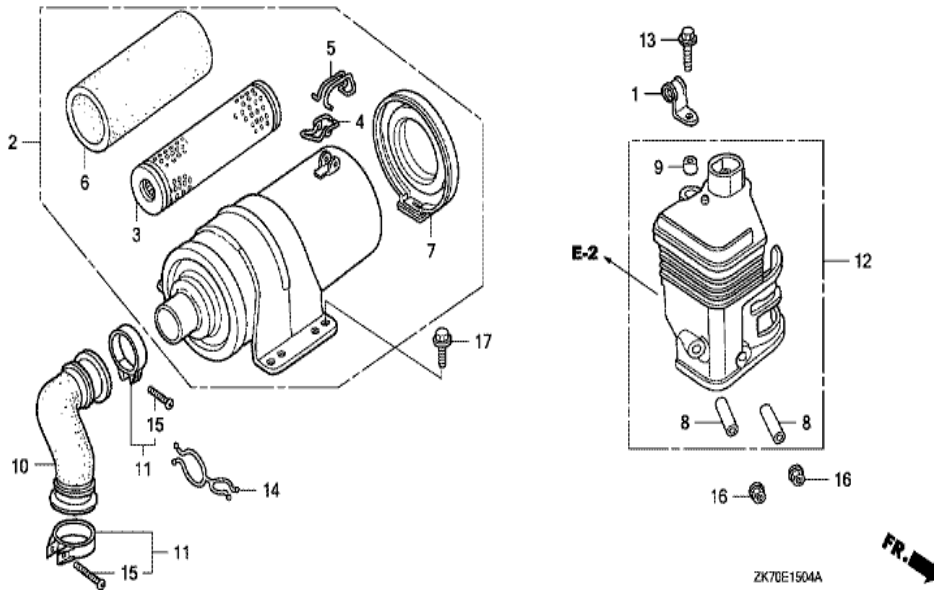


ZK70E12008

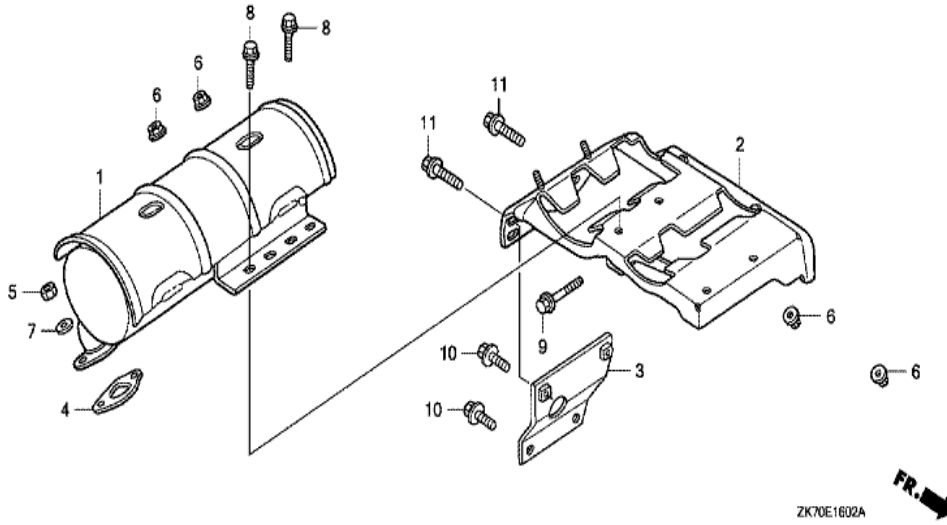


| Ref | Partnumber | Description | GX120K1 | Serial Numbers |
|-----|-----------------|----------------------------|---------|----------------|
| 001 | 11347-371-300 | GROMMET, ADJUSTING COVER | 1 | |
| 002 | 19610-ZK7-V00ZD | COVER COMP., FAN *R280 * | 1 | |
| 002 | 19610-ZK7-V00ZD | COVER COMP., FAN *R280 * | 1 | |
| 003 | 19612-ZK7-V00 | PLATE, SIDE | 1 | |
| 003 | 19612-ZK7-V00 | PLATE, SIDE | 1 | |
| 010 | 36100-ZH8-W41 | SWITCH ASSY., ENGINE STOP | 1 | |
| 010 | 36100-ZH8-W41 | SWITCH ASSY., ENGINE STOP | 1 | |
| 011 | 36101-ZE1-010 | CORD, STOP SWITCH (370MM) | 1 | |
| 013 | 90013-883-000 | BOLT, FLANGE, 6X12 (CT200) | 4 | |
| 014 | 90022-888-010 | BOLT, FLANGE, 6X20 (CT200) | 1 | |

| <u>Ref</u> | <u>Partnumber</u> | <u>Description</u> | <u>GX120K1</u> | <u>Serial Numbers</u> |
|------------|-------------------|--|----------------|-----------------------|
| 011 | 16100-ZK7-U31 | CARBURETOR ASSY. (BE62C A) | 1 | 4503604 |
| 011 | 16100-ZK7-V01 | CARBURETOR ASSY. (BE62A A) | 1 | 4503603 |
| 011 | 16100-ZK7-V01 | CARBURETOR ASSY. (BE62A A) | 1 | 4503603 |
| 012 | 16124-ZE0-005 | SCREW, THROTTLE STOP | 1 | |
| 013 | 16166-ZH7-A50 | NOZZLE, MAIN | 1 | |
| 014 | 16211-ZE0-000 | INSULATOR, CARBURETOR | 1 | |
| 015 | 16212-ZH7-800 | PACKING, INSULATOR | 1 | |
| 016 | 16220-ZE1-020 | SPACER COMP., CARBURETOR | 1 | |
| 017 | 16221-ZH8-801 | PACKING, CARBURETOR | 1 | |
| 020 | 16610-ZE1-000 | LEVER COMP., CHOKE (STD.) | 1 | |
| 024 | 16854-ZH8-000 | RUBBER, SUPPORTER (107MM) | 1 | |
| 033 | 94305-20122 | PIN, SPRING, 2X12 | 1 | |
| 034 | 95001-4540060 | TUBE, FUEL, 4.5X400 (95001-450 (95001-45 | 1 | |
| 034 | 95001-4540060 | TUBE, FUEL, 4.5X400 (95001-450 (95001-45 | 1 | |
| 035 | 95002-4080008 | CLAMP, TUBE (D8) | 2 | |
| 036 | 99101-ZH80580 | JET, MAIN, #58 | (1) | |
| 036 | 99101-ZH80580 | JET, MAIN, #58 | (1) | |
| 036 | 99101-ZH80600 | JET, MAIN, #60 | (1) | |
| 036 | 99101-ZH80600 | JET, MAIN, #60 | (1) | |
| 036 | 99101-ZH80620 | JET, MAIN, #62 | 1 | |
| 036 | 99101-ZH80620 | JET, MAIN, #62 | 1 | |
| 037 | 99204-ZE00350 | JET SET, PILOT, #35 | 1 | |



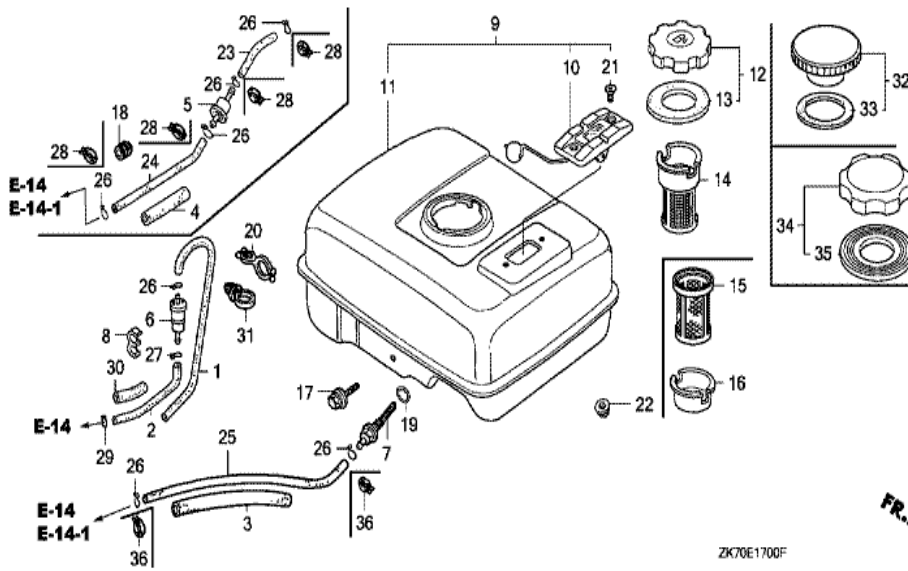
| <u>Ref</u> | <u>Partnumber</u> | <u>Description</u> | <u>GX120K1</u> | <u>Serial Numbers</u> |
|------------|-------------------|-----------------------------------|----------------|-----------------------|
| 001 | 16106-KW7-900 | CLIP B, TUBE | 1 | |
| 002 | 17200-ZK7-V01 | CLEANER ASSY., AIR | 1 | |
| 003 | 17210-ZK7-V01 | ELEMENT COMP., AIR CLEANER | 1 | |
| 004 | 17216-PM4-300 | CLIP A, WIRE | 1 | |
| 005 | 17217-PM4-300 | CLIP B, WIRE | 1 | |
| 006 | 17218-ZK7-V01 | FILTER, OUTER | 1 | |
| 007 | 17230-ZK7-V01 | COVER COMP., AIR CLEANER | 1 | |
| 008 | 17238-ZE7-010 | COLLAR, AIR CLEANER | 2 | |
| 009 | 17239-ZE1-000 | COLLAR B, AIR CLEANER | 1 | |
| 010 | 17251-ZE0-S10 | TUBE, AIR CLEANER CONNECTING | 1 | |
| 011 | 17255-758-000 | BAND, AIR CLEANER CONNECTING TUBE | 2 | |
| 012 | 17410-ZE1-P30 | ELBOW COMP., AIR CLEANER | 1 | |
| 013 | 95701-0602000 | BOLT, FLANGE, 6X20 | 1 | |
| <u>Ref</u> | <u>Partnumber</u> | <u>Description</u> | <u>GX120K1</u> | <u>Serial Numbers</u> |
| 013 | 95701-0602000 | BOLT, FLANGE, 6X20 | 1 | |
| 015 | 93500-040200A | SCREW, PAN, 4X20 | 2 | |
| 016 | 94050-06000 | NUT, FLANGE, 6MM | 2 | |
| 017 | 95701-0601600 | BOLT, FLANGE, 6X16 | 2 | |



ZK70E1602A

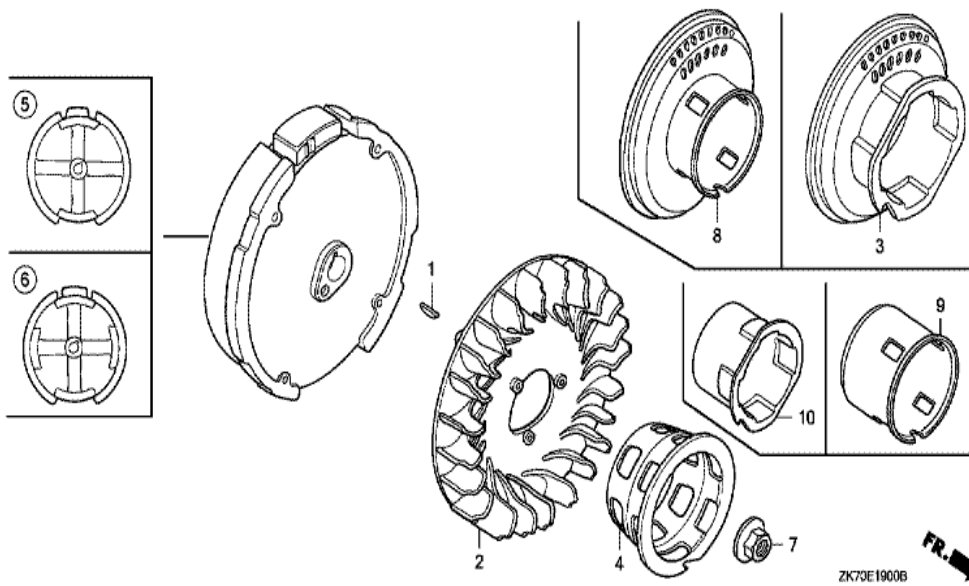


| Ref | Partnumber | Description | GX120K1 | Serial Numbers |
|-----|---------------|---------------------|---------|----------------|
| 001 | 18310-ZK7-V01 | MUFFLER COMP. | 1 | |
| 002 | 18338-ZK7-V01 | STAY COMP., MUFFLER | 1 | |
| 004 | 18381-ZH8-800 | GASKET, MUFFLER | 1 | |
| 005 | 94001-080000S | NUT, HEX., 8MM | 2 | |
| 006 | 94050-06000 | NUT, FLANGE, 6MM | 4 | |
| 008 | 95701-0601600 | BOLT, FLANGE, 6X16 | 2 | |
| 009 | 95701-0602500 | BOLT, FLANGE, 6X25 | 1 | |
| 011 | 95701-0802000 | BOLT, FLANGE, 8X20 | 2 | |
| 011 | 95701-0802000 | BOLT, FLANGE, 8X20 | 2 | |



ZK70E1700F

| Ref | Partnumber | Description | GX120K1 | Serial Numbers |
|-----|---------------|----------------------|---------|----------------|
| 001 | 16198-ZG0-U00 | TUBE A, AIR VENT | 1 | |
| 002 | 16199-KCR-000 | TUBE | 1 | |
| 006 | 16910-ZG0-U02 | STRAINER COMP., FUEL | 1 | |
| 008 | 17205-PC6-000 | CLAMP, TUBE, 7.5X2 | 1 | |
| 020 | 91473-PA1-003 | CLIP, WATER HOSE | 1 | |
| 026 | 95002-02080 | CLIP, TUBE (B8) | 1 | |
| 027 | 95002-02100 | CLIP, TUBE (B10) | 1 | |
| 029 | 95002-50000 | CLIP, TUBE (C9) | 1 | |



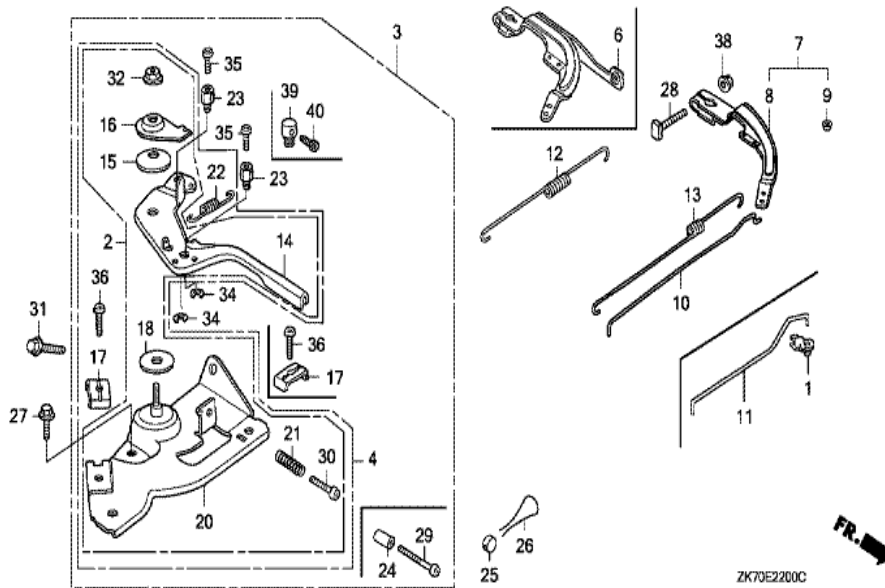
| Ref | Partnumber | Description | GX120K1 | Serial Numbers |
|-----|---------------|------------------------------|---------|----------------|
| 001 | 13331-357-000 | KEY, SPECIAL WOODRUFF, 25X18 | 1 | |
| 002 | 19511-ZE0-000 | FAN, COOLING | 1 | |
| 005 | 31100-ZE0-010 | FLYWHEEL COMP. | 1 | |
| 007 | 90201-878-003 | NUT, SPECIAL, 14MM | 1 | |
| 009 | 28451-ZH7-801 | PULLEY, STARTER | 1 | |
| 009 | 28451-ZH7-801 | PULLEY, STARTER | 1 | 4363434 |
| 010 | 28451-ZH7-003 | PULLEY, STARTER | 1 | |
| 010 | 28451-ZH7-003 | PULLEY, STARTER | 1 | 4363433 |



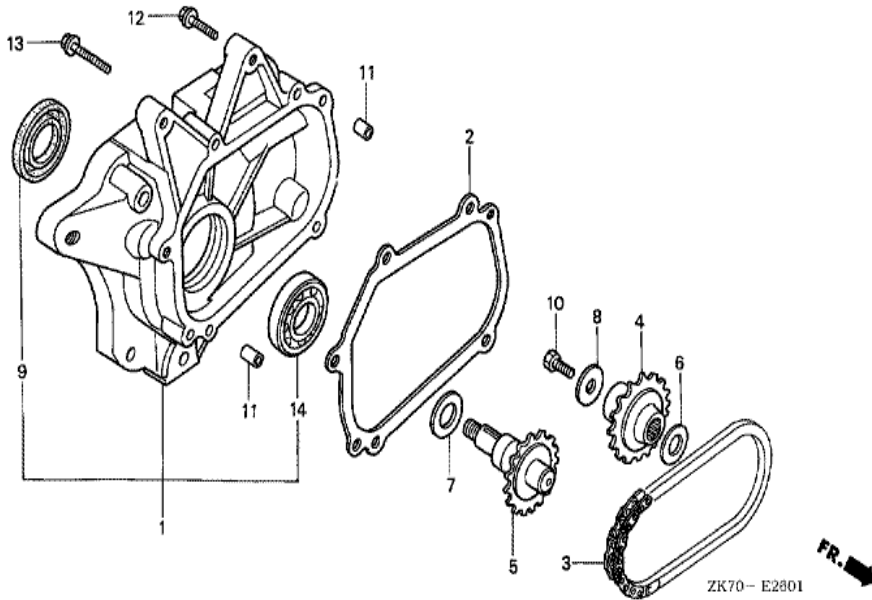
| Ref | Partnumber | Description | GX120K1 | Serial Numbers |
|------------|-------------------|--------------------------------|----------------|-----------------------|
| 001 | 12204-ZE1-306 | GUIDE, IN. VALVE (OS) | (1) | |
| 002 | 12205-ZE1-315 | GUIDE, EX. VALVE (OS) | (1) | |
| 003 | 12210-ZH7-405 | HEAD COMP., CYLINDER | 1 | |
| 003 | 12210-ZH7-405 | HEAD COMP., CYLINDER | 1 | 4516043 |
| 003 | 12210-ZH7-415 | HEAD COMP., CYLINDER | 1 | |
| 003 | 12210-ZH7-415 | HEAD COMP., CYLINDER | 1 | 4516044 |
| 004 | 12216-ZE5-300 | CLIP, VALVE GUIDE | 1 | |
| 005 | 12251-ZH7-800 | GASKET, CYLINDER HEAD | (1) | |
| 005 | 12251-ZH7-800 | GASKET, CYLINDER HEAD | 1 | |
| 006 | 12310-ZE1-020 | COVER COMP., HEAD | 1 | |
| 006 | 12310-ZE1-020 | COVER COMP., HEAD | 1 | |
| 007 | 12391-ZE1-000 | PACKING, HEAD COVER | 1 | |
| 008 | 15721-ZH8-000 | TUBE, BREATHER | (1) | |
| <u>Ref</u> | <u>Partnumber</u> | <u>Description</u> | <u>GX120K1</u> | <u>Serial Numbers</u> |
| 008 | 15721-ZH8-000 | TUBE, BREATHER | 1 | |
| 009 | 90013-883-000 | BOLT, FLANGE, 6X12 (CT200) | 4 | |
| 010 | 90043-ZE1-020 | BOLT, STUD, 6X112 | 2 | |
| 010 | 90043-ZE1-020 | BOLT, STUD, 6X112 | 2 | |
| 011 | 90047-ZE1-000 | BOLT, STUD, 8X32 | 2 | |
| 012 | 94301-10160 | DOWEL PIN, 10X16 | 2 | |
| 014 | 95723-0805500 | BOLT, FLANGE, 8X55 | 4 | |
| 014 | 95723-0805500 | BOLT, FLANGE, 8X55 | 4 | |
| 015 | 98079-54846 | PLUG, SPARK (BPR4ES) (NGK) | 1 | |
| 015 | 98079-54846 | PLUG, SPARK (BPR4ES) (NGK) | 1 | |
| 015 | 98079-54855 | PLUG, SPARK (W14EPR-U) (DENSO) | 1 | |
| 015 | 98079-54855 | PLUG, SPARK (W14EPR-U) (DENSO) | 1 | |



| Ref | Partnumber | Description | GX120K1 | Serial Numbers |
|-----|---------------|---|---------|-----------------|
| 001 | 30500-ZE1-043 | COIL ASSY., IGNITION | 1 | 4450768 |
| 001 | 30500-ZE1-043 | COIL ASSY., IGNITION | 1 | 4450768 |
| 001 | 30500-ZE1-053 | COIL ASSY., IGNITION | 1 | 4456559 |
| 001 | 30500-ZE1-053 | COIL ASSY., IGNITION | 1 | 4450769 4456559 |
| 001 | 30500-ZE1-063 | COIL ASSY., IGNITION | 1 | 4456560 |
| 001 | 30500-ZE1-063 | COIL ASSY., IGNITION | 1 | 4456560 |
| 002 | 30700-ZE1-013 | CAP ASSY., NOISE SUPPRESSOR (NICHIIWA Y-E | (1) | |
| 002 | 30700-ZE1-013 | CAP ASSY., NOISE SUPPRESSOR (NICHIIWA Y-E | 1 | |
| 013 | 90121-952-000 | BOLT, FLANGE, 6X25 (CT200) | 2 | |



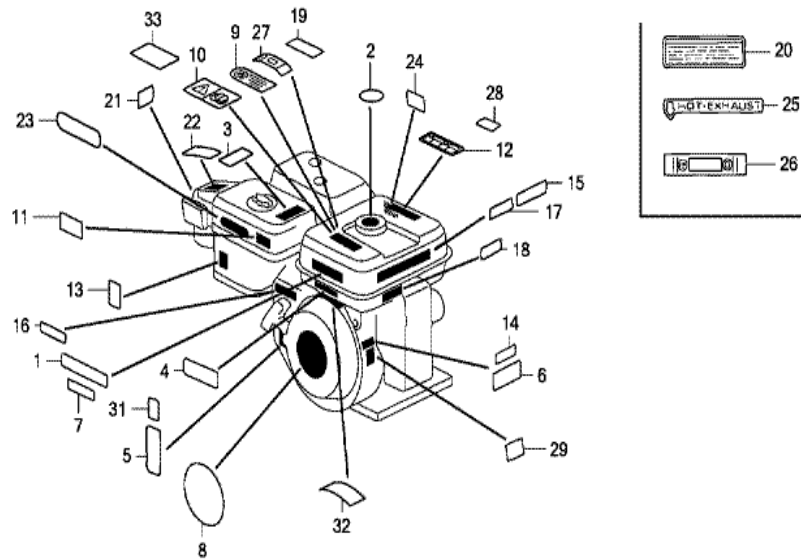
| Ref | Partnumber | Description | GX120K1 | Serial Numbers |
|-----|---------------|----------------------------|---------|----------------|
| 003 | 16570-ZE0-S10 | CONTROL ASSY. | 1 | |
| 003 | 16570-ZE0-S10 | CONTROL ASSY. | 1 | |
| 007 | 16550-ZK7-V00 | ARM COMP., GOVERNOR | 1 | |
| 009 | 16552-896-650 | COLLAR, LEVER | 1 | |
| 010 | 16555-ZE0-000 | ROD, GOVERNOR | 1 | |
| 012 | 16561-ZE0-020 | SPRING, GOVERNOR | 1 | |
| 013 | 16562-ZE0-020 | SPRING, THROTTLE RETURN | 1 | |
| 014 | 16571-ZE0-S10 | LEVER, CONTROL | 1 | |
| 015 | 16574-ZE1-000 | SPRING, LEVER | 1 | |
| 016 | 16575-ZH8-000 | WASHER, CONTROL LEVER | 1 | |
| 017 | 16576-891-000 | HOLDER, CABLE | 1 | |
| 018 | 16578-ZE1-000 | SPACER, CONTROL LEVER | 1 | |
| 020 | 16580-ZH7-810 | BASE COMP., CONTROL (###) | (1) | |
| Ref | Partnumber | Description | GX120K1 | Serial Numbers |
| 020 | 16580-ZH7-810 | BASE COMP., CONTROL (###) | 1 | |
| 021 | 16584-883-300 | SPRING, CONTROL ADJUSTING | 1 | |
| 022 | 16592-ZE1-810 | SPRING, CABLE RETURN | 1 | |
| 023 | 16594-883-010 | HOLDER, WIRE | 1 | |
| 027 | 90013-883-000 | BOLT, FLANGE, 6X12 (CT200) | 1 | |
| 028 | 90015-ZE5-010 | BOLT, GOVERNOR ARM | 1 | |
| 030 | 93500-050250H | SCREW, PAN, 5X25 | 1 | |
| 030 | 93500-050250H | SCREW, PAN, 5X25 | 1 | |
| 031 | 90022-888-010 | BOLT, FLANGE, 6X20 (CT200) | 1 | |
| 032 | 90114-SA0-000 | NUT, SELF-LOCK, 6MM | 1 | |
| 034 | 90605-230-000 | CIRCLIP, 5MM | 1 | |
| 035 | 93500-040060H | SCREW, PAN, 4X6 | 1 | |
| 036 | 93500-050160A | SCREW, PAN, 5X16 | 1 | |
| 038 | 94050-06000 | NUT, FLANGE, 6MM | 1 | |



ZK70-E2801

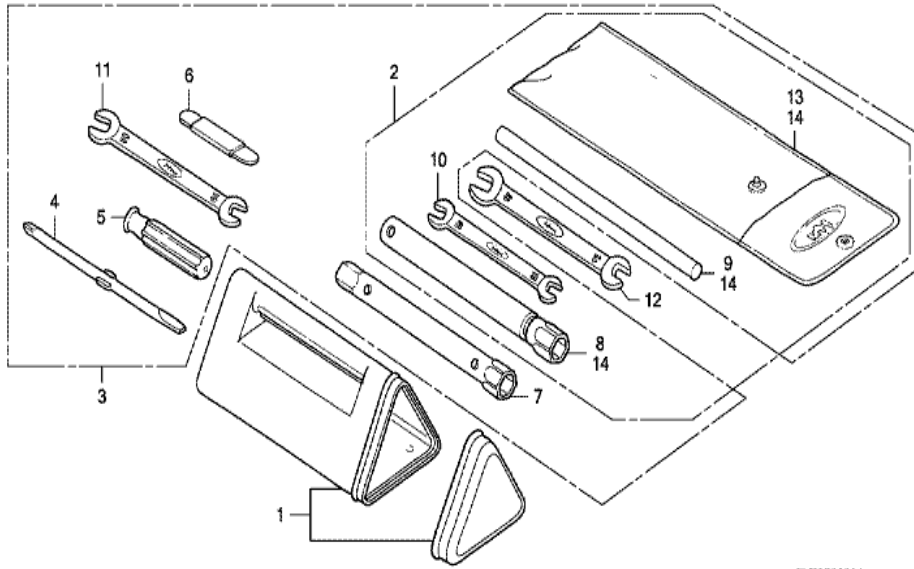


| <u>Ref</u> | <u>Partnumber</u> | <u>Description</u> | <u>GX120K1</u> | <u>Serial Numbers</u> |
|------------|-------------------|----------------------------|----------------|-----------------------|
| 001 | 11500-ZK7-V00 | COVER ASSY., CHAIN CASE | 1 | |
| 002 | 11521-ZK7-V00 | PACKING, CHAIN CASE COVER | 1 | |
| 003 | 14411-ZK7-V01 | CHAIN, P.T.O. DRIVE | 1 | |
| 004 | 23121-ZK7-V00 | SPROCKET, DRIVE (17T) | 1 | |
| 005 | 23151-ZK7-V00 | SHAFT, P.T.O. (16T) | 1 | |
| 006 | 90454-428-000 | WASHER, THRUST, 20MM | 1 | |
| 007 | 90456-ZE1-000 | SPRING, THRUST | 1 | |
| 008 | 90471-ZE1-610 | WASHER, 8MM | 1 | |
| 009 | 91252-888-003 | OIL SEAL, 25X38X7 (ARAI) | 1 | |
| 010 | 92101-080250A | BOLT, HEX., 8X25 | 1 | |
| 011 | 94303-08140 | DOWEL PIN, 8X14 | 2 | |
| 012 | 95701-0803500 | BOLT, FLANGE, 8X35 | 4 | |
| 013 | 95701-0805500 | BOLT, FLANGE, 8X55 | 1 | |
| <u>Ref</u> | <u>Partnumber</u> | <u>Description</u> | <u>GX120K1</u> | <u>Serial Numbers</u> |
| 014 | 96100-6005000 | BEARING, RADIAL BALL, 6005 | 1 | |



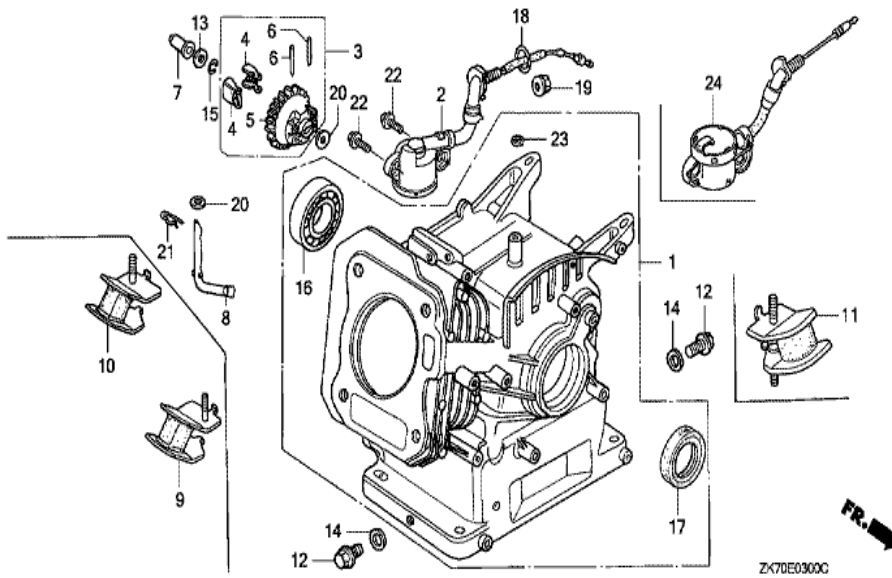
ZK70E2800D

| Ref | Partnumber | Description | GX120K1 | Serial Numbers |
|-----|---------------|----------------------------|---------|----------------|
| 004 | 87135-ZE2-020 | LABEL, E-SPEC (15.5X27.5) | 1 | |
| 004 | 87135-ZE2-020 | LABEL, E-SPEC (15.5X27.5) | 1 | 4410587 |
| 005 | 87135-ZE2-020 | LABEL, E-SPEC (15.5X27.5) | 1 | |
| 008 | 87521-ZH7-030 | EMBLEM (4.0) | 1 | |
| 008 | 87521-ZH7-030 | EMBLEM (4.0) | 1 | |
| 010 | 87522-ZH8-W41 | MARK, CAUTION (PICTOGRAPH) | 1 | |
| 013 | 87528-733-E90 | MARK, CHOKE (H=36) | 1 | 4335503 |
| 013 | 87528-733-E90 | MARK, CHOKE (H=36) | 1 | 4335503 |
| 013 | 87528-733-E91 | MARK, CHOKE (H=34) | 1 | 4550192 |
| 013 | 87528-733-E91 | MARK, CHOKE (H=34) | 1 | 4335504 |



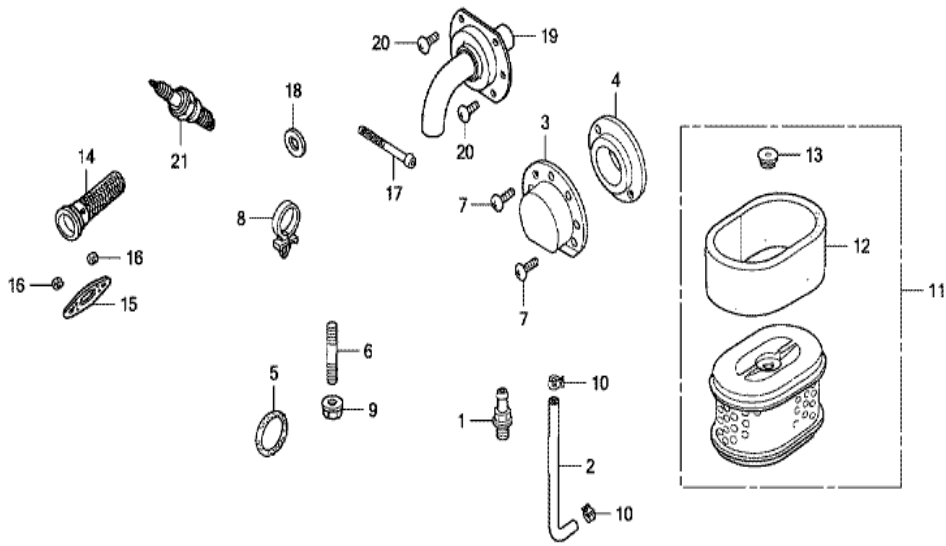
ZK70E2900A

| Ref | Partnumber | Description | GX120K1 | Serial Numbers |
|-----|---------------|--------------------------|---------|----------------|
| 008 | 89218-ZE1-000 | WRENCH COMP., SPARK PLUG | 1 | |



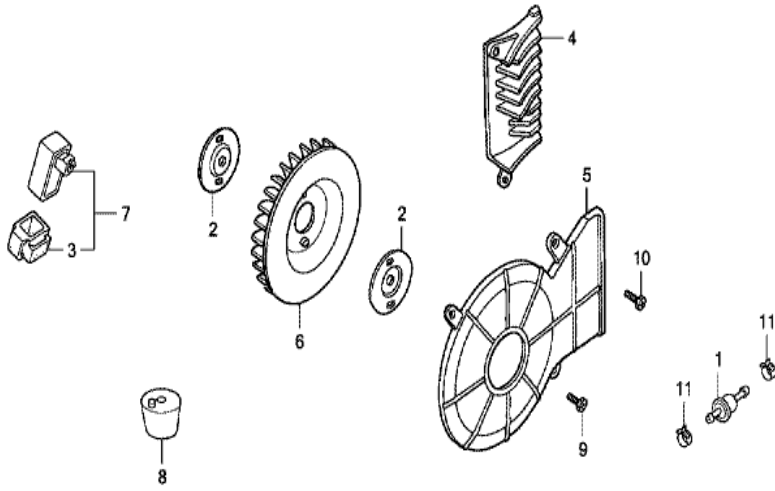
ZK70E0300C

| <u>Ref</u> | <u>Partnumber</u> | <u>Description</u> | <u>GX120K1</u> | <u>Serial Numbers</u> |
|------------|-------------------|----------------------------|----------------|-----------------------|
| 001 | 12000-ZF0-425 | BARREL ASSY., CYLINDER | 1 | |
| 003 | 16510-ZE1-000 | GOVERNOR ASSY. | 1 | |
| 004 | 16511-ZE1-000 | WEIGHT, GOVERNOR | 2 | |
| 005 | 16512-ZE1-000 | HOLDER, GOVERNOR WEIGHT | 1 | |
| 006 | 16513-ZE1-000 | PIN, GOVERNOR WEIGHT | 2 | |
| 007 | 16531-ZE1-000 | SLIDER, GOVERNOR | 1 | |
| 008 | 16541-ZE1-000 | SHAFT, GOVERNOR ARM | 1 | |
| 012 | 90131-ZE1-000 | BOLT, DRAIN PLUG | 2 | |
| 013 | 90451-ZE1-000 | WASHER, THRUST, 6MM | 1 | |
| 014 | 90601-ZE1-000 | WASHER, DRAIN PLUG, 10.2MM | 2 | |
| 015 | 90602-ZE1-000 | CLIP, GOVERNOR HOLDER | 1 | |
| 016 | 91001-878-003 | BEARING, RADIAL BALL, | 1 | |
| 017 | 91202-ZE6-013 | OIL SEAL, 22X35X6 | 1 | |
| <u>Ref</u> | <u>Partnumber</u> | <u>Description</u> | <u>GX120K1</u> | <u>Serial Numbers</u> |
| 020 | 94101-06800 | WASHER, PLAIN, 6MM | 2 | |
| 021 | 94251-08000 | PIN, LOCK, 8MM | 1 | |



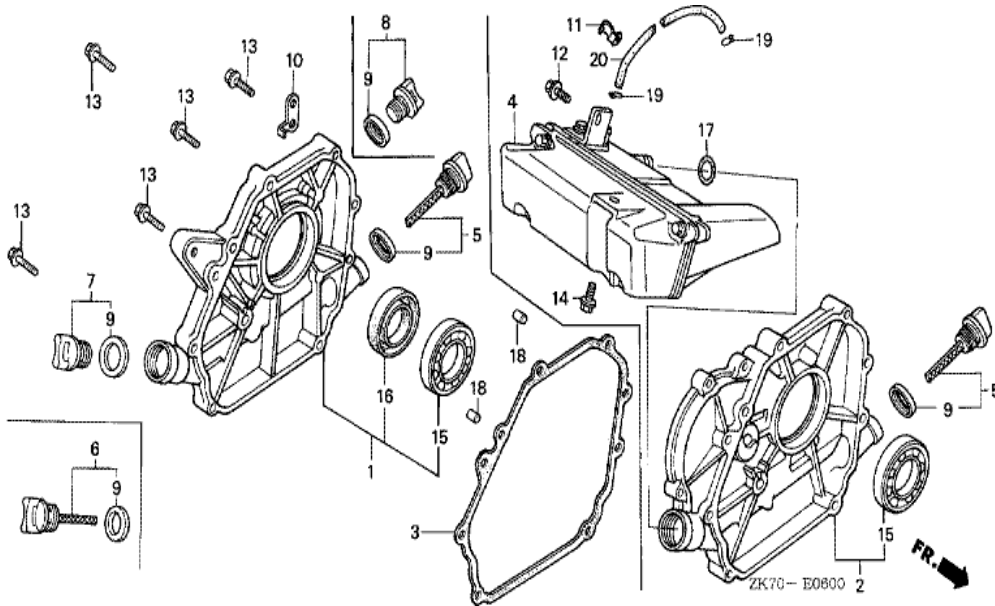
ZK70E4000E

| Ref | Partnumber | Description | GX120K1 | Serial Numbers |
|-----|---------------|-------------------|---------|----------------|
| 006 | 90001-ZK7-V00 | BOLT, STUD, 10X32 | 3 | |
| 006 | 90002-ZK7-V00 | BOLT, STUD, 10X60 | 1 | |
| 006 | 90002-ZK7-V00 | BOLT, STUD, 10X60 | 1 | |
| 009 | 94050-10000 | NUT, FLANGE, 10MM | 4 | |

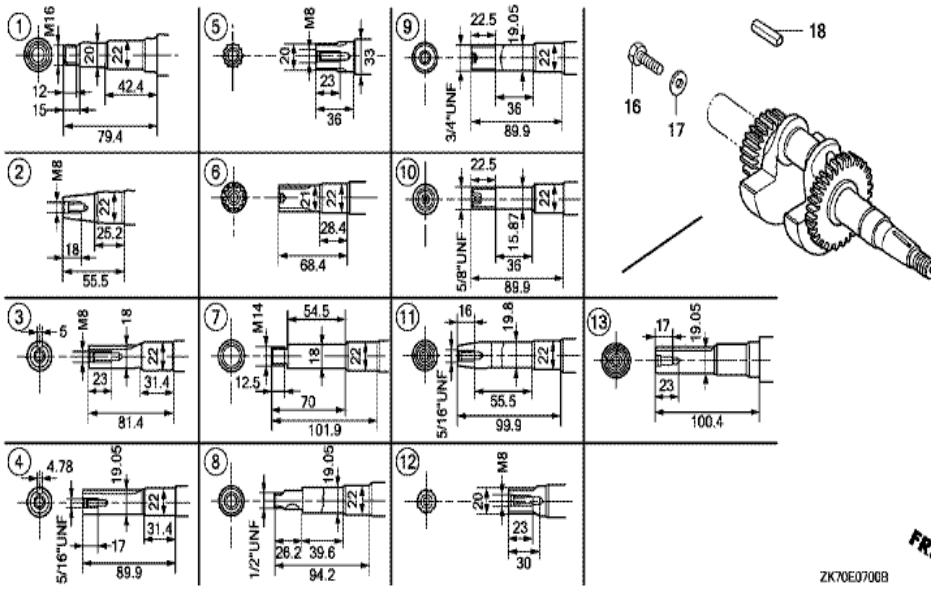


ZK70E4002A

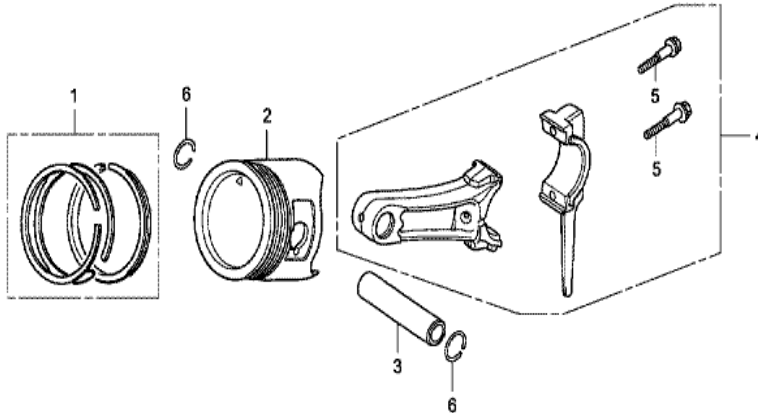
| Ref | Partnumber | Description | GX120K1 | Serial Numbers |
|-----|---------------|----------------------|---------|----------------|
| 001 | 16910-GB2-005 | STRAINER COMP., FUEL | 1 | |
| 011 | 95002-4085008 | CLAMP, TUBE (D8.5) | 2 | |



| <u>Ref</u> | <u>Partnumber</u> | <u>Description</u> | <u>GX120K1</u> | <u>Serial Numbers</u> |
|------------|-------------------|---------------------------------|----------------|-----------------------|
| 002 | 11300-ZK7-V00 | COVER ASSY., CRANKCASE | 1 | |
| 002 | 11300-ZK7-V00 | COVER ASSY., CRANKCASE | 1 | |
| 003 | 11381-ZK7-V00 | PACKING, CASE COVER | 1 | |
| 003 | 11381-ZK7-V00 | PACKING, CASE COVER | 1 | |
| 004 | 15500-ZK7-V00 | TANK ASSY., OIL | 1 | |
| 005 | 15600-ZE1-003 | CAP ASSY., OIL FILLER (GRAY) | 1 | |
| 009 | 15625-ZE1-003 | PACKING, OIL FILLER CAP | 1 | |
| 012 | 90014-952-000 | BOLT, FLANGE, 6X14 (CT200) | 1 | |
| 013 | 90015-883-000 | BOLT, FLANGE, 6X28 (CT200) | 7 | |
| 014 | 90029-888-000 | BOLT, FLANGE, 6X16 (CT200) | 1 | |
| 015 | 91001-878-003 | BEARING, RADIAL BALL, | 1 | |
| 017 | 91304-MJ0-003 | O-RING, 15.8X2.4 (SHOWA) | 1 | |
| 018 | 94303-08140 | DOWEL PIN, 8X14 | 2 | |
| <u>Ref</u> | <u>Partnumber</u> | <u>Description</u> | <u>GX120K1</u> | <u>Serial Numbers</u> |
| 018 | 94303-08140 | DOWEL PIN, 8X14 | 2 | |
| 019 | 95002-02070 | CLIP, TUBE (B7) | 2 | |
| 020 | 95005-3515010 | TUBE, 3.5X150 (95005-35001-10M) | 1 | |



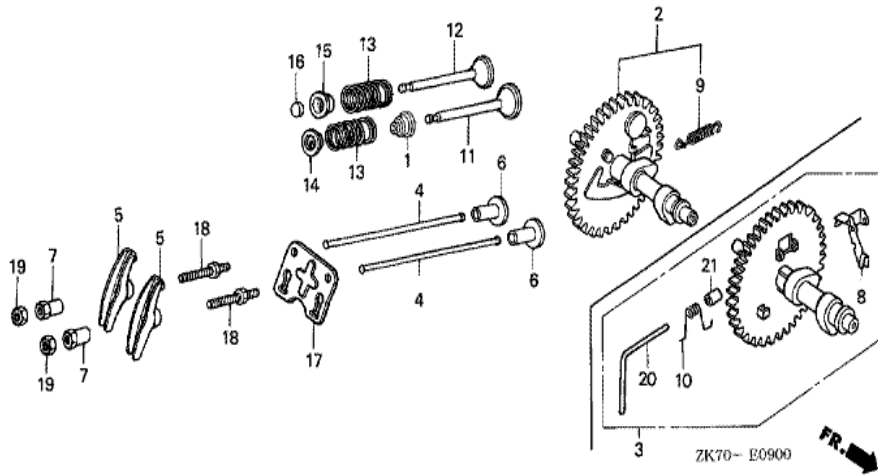
| Ref | Partnumber | Description | GX120K1 | Serial Numbers |
|-----|---------------|------------------|---------|----------------|
| 012 | 13310-ZK7-V00 | CRANKSHAFT COMP. | 1 | |



ZK70E0800A



| <u>Ref</u> | <u>Partnumber</u> | <u>Description</u> | <u>GX120K1</u> | <u>Serial Numbers</u> |
|------------|-------------------|-----------------------------------|----------------|-----------------------|
| 001 | 13010-ZH7-003 | RING SET, PISTON (STD.) (TEIKOKU) | 1 | 4554249 |
| 001 | 13010-ZH7-003 | RING SET, PISTON (STD.) (TEIKOKU) | 1 | |
| 001 | 13010-ZH7-004 | RING SET, PISTON (STD.) (NIPPON) | 1 | 4554249 |
| 001 | 13010-ZH7-004 | RING SET, PISTON (STD.) (NIPPON) | 1 | |
| 001 | 13011-ZH7-003 | RING SET, PISTON (0.25) (TEIKOKU) | (1) | |
| 001 | 13011-ZH7-003 | RING SET, PISTON (0.25) (TEIKOKU) | (1) | |
| 001 | 13011-ZH7-004 | RING SET, PISTON (0.25) (NIPPON) | (1) | |
| 001 | 13011-ZH7-004 | RING SET, PISTON (0.25) (NIPPON) | (1) | |
| 001 | 13012-ZH7-003 | RING SET, PISTON (0.50) (TEIKOKU) | (1) | 4554249 |
| 001 | 13012-ZH7-003 | RING SET, PISTON (0.50) (TEIKOKU) | (1) | |
| 001 | 13012-ZH7-004 | RING SET, PISTON (0.50) (NIPPON) | (1) | 4554249 |
| 001 | 13012-ZH7-004 | RING SET, PISTON (0.50) (NIPPON) | (1) | |
| 001 | 13013-ZH7-003 | RING SET, PISTON (0.75) (TEIKOKU) | (1) | 4554249 |
| <u>Ref</u> | <u>Partnumber</u> | <u>Description</u> | <u>GX120K1</u> | <u>Serial Numbers</u> |
| 001 | 13013-ZH7-003 | RING SET, PISTON (0.75) (TEIKOKU) | (1) | |
| 001 | 13013-ZH7-004 | RING SET, PISTON (0.75) (NIPPON) | (1) | |
| 001 | 13013-ZH7-004 | RING SET, PISTON (0.75) (NIPPON) | (1) | |
| 002 | 13101-ZH7-010 | PISTON (STD.) | 1 | |
| 002 | 13101-ZH7-010 | PISTON (STD.) | 1 | 4554249 |
| 002 | 13102-ZH7-010 | PISTON (0.25) | (1) | 4554249 |
| 002 | 13102-ZH7-010 | PISTON (0.25) | (1) | 4554249 |
| 002 | 13103-ZH7-010 | PISTON (0.50) | (1) | 4554249 |
| 002 | 13103-ZH7-010 | PISTON (0.50) | (1) | 4554249 |
| 002 | 13104-ZH7-010 | PISTON (0.75) | (1) | |
| 002 | 13104-ZH7-010 | PISTON (0.75) | (1) | 4554249 |
| 003 | 13111-ZE0-000 | PIN, PISTON | 1 | |
| 004 | 13200-ZE0-000 | ROD ASSY., CONNECTING | 1 | |
| 005 | 90001-ZE1-000 | BOLT, CONNECTING ROD | 2 | |
| 006 | 90551-ZE0-000 | CLIP, PISTON PIN, 13MM | 2 | |



| <u>Ref</u> | <u>Partnumber</u> | <u>Description</u> | <u>GX120K1</u> | <u>Serial Numbers</u> |
|------------|-------------------|----------------------------|----------------|-----------------------|
| 001 | 12209-ZH8-003 | SEAL, VALVE STEM | 1 | |
| 002 | 14100-ZH7-B20 | CAMSHAFT ASSY. | 1 | |
| 002 | 14100-ZH7-B20 | CAMSHAFT ASSY. | 1 | |
| 004 | 14410-ZE0-010 | ROD, PUSH | 2 | |
| 005 | 14431-ZE1-000 | ARM, VALVE ROCKER | 2 | |
| 006 | 14441-ZE1-010 | LIFTER, VALVE | 2 | |
| 007 | 14451-ZE1-013 | PIVOT, ROCKER ARM | 2 | |
| 007 | 14451-ZE1-013 | PIVOT, ROCKER ARM | 2 | |
| 009 | 14568-ZE1-000 | SPRING, WEIGHT RETURN | 1 | |
| 011 | 14711-ZF0-010 | VALVE, IN. | 1 | |
| 011 | 14711-ZF0-010 | VALVE, IN. | 1 | |
| 012 | 14721-ZF0-000 | VALVE, EX. | 1 | |
| 013 | 14751-ZF1-000 | SPRING, VALVE | 2 | |
| <u>Ref</u> | <u>Partnumber</u> | <u>Description</u> | <u>GX120K1</u> | <u>Serial Numbers</u> |
| 014 | 14771-ZE1-000 | RETAINER, IN. VALVE SPRING | 1 | |
| 015 | 14773-ZE1-000 | RETAINER, EX. VALVE SPRING | 1 | |
| 016 | 14781-ZE1-000 | ROTATOR, VALVE | 1 | |
| 017 | 14791-ZE0-010 | PLATE, PUSH ROD GUIDE | 1 | |
| 018 | 90012-ZE0-010 | BOLT, PIVOT, 8MM | 2 | |
| 019 | 90206-ZE1-000 | NUT, PIVOT ADJUSTING | 2 | |



HENG-X0003

| <u>Ref</u> | <u>Partnumber</u> | <u>Description</u> | <u>GX120K1</u> | <u>Serial Numbers</u> |
|------------|-------------------|--------------------|----------------|-----------------------|
| 001 | 06111-ZK7-V00 | GASKET KIT | 1 | |
| 001 | 06111-ZK7-V00 | GASKET KIT | 1 | |