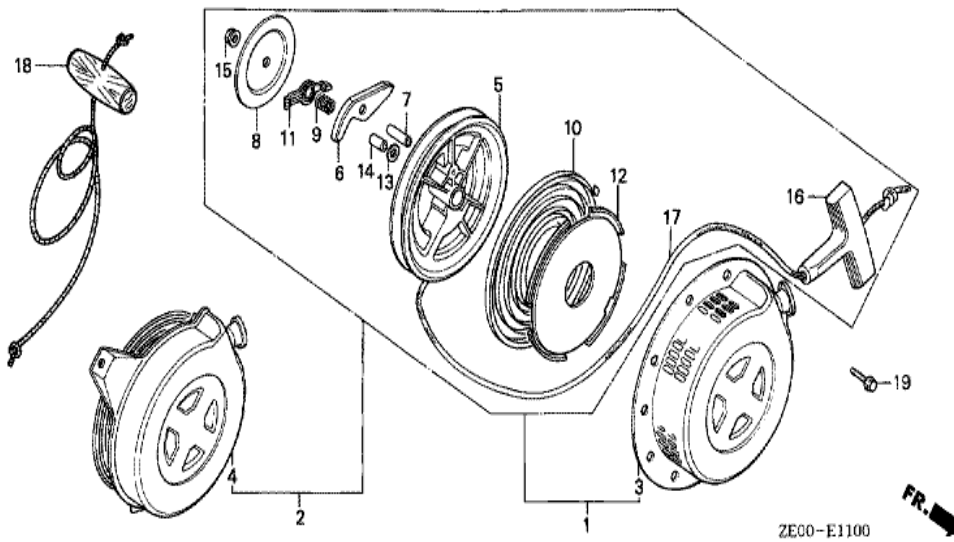


GX110(HX)

E-11 RECOIL STARTER

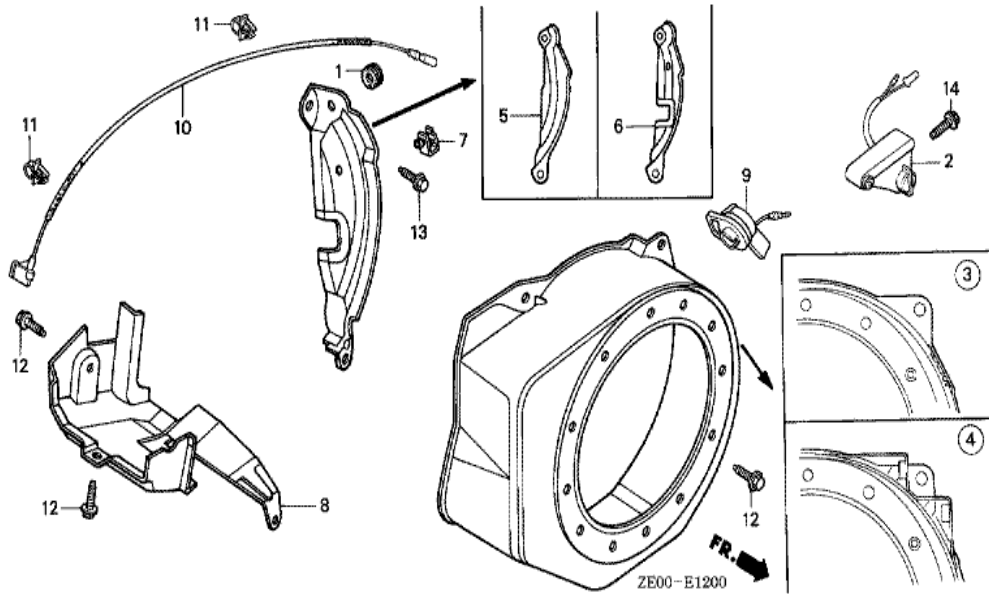


ZE00-E1100

FR. →

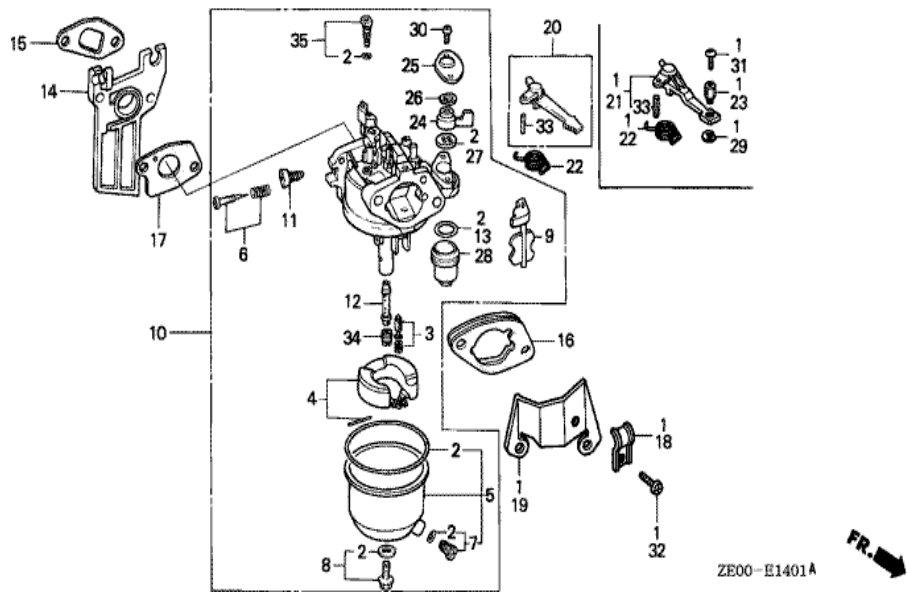
<u>Ref</u>	<u>Partnumber</u>	<u>Description</u>	<u>GX110</u>	<u>Serial Numbers</u>
001	28400-ZE1-003ZA	STARTER ASSY., RECOIL *R8 *	(1)	
003	28410-ZE1-003ZA	CASE COMP., RECOIL STARTER *R8 *	(1)	
005	28420-ZE1-003	PULLEY, RECOIL STARTER	(1)	
006	28422-ZE1-003	RATCHET, STARTER	(1)	
007	28423-ZE1-003	PIN, STARTER RATCHET	(1)	
008	28431-ZE1-003	PLATE, FRICTION	(1)	
009	28441-ZE1-003	SPRING, FRICTION	(1)	
010	28442-ZE1-003	SPRING, RECOIL STARTER	(1)	
011	28443-ZE1-003	GUIDE, RATCHET	(1)	
012	28445-ZE1-003	CASE, RECOIL STARTER SPRING	(1)	
013	28446-ZE1-003	WASHER, STARTER	(1)	
014	28447-ZE1-003	SHAFT, SUB	(1)	
015	28448-ZE1-003	NUT	(1)	
<u>Ref</u>	<u>Partnumber</u>	<u>Description</u>	<u>GX110</u>	<u>Serial Numbers</u>
016	28461-ZE1-003	KNOB, RECOIL STARTER	(1)	
017	28462-ZE1-003	ROPE, RECOIL STARTER	(1)	
019	95701-0600800	BOLT, FLANGE, 6X8	(3)	

GX110(HX)	E-12 FAN COVER
-----------	----------------



<u>Ref</u>	<u>Partnumber</u>	<u>Description</u>	<u>GX110</u>	<u>Serial Numbers</u>
001	11347-371-300	GROMMET, ADJUSTING COVER	1	
002	15520-ZE1-003	ALERT UNIT, OIL	(1)	
004	19610-ZE0-810ZA	COVER COMP., FAN (OIL ALERT) *R8 *	(1)	
005	19611-ZE0-810	PLATE, SIDE (OIL ALERT)	(1)	2365699
005	19612-ZH7-810	PLATE, SIDE (OIL ALERT)	(1)	2365700
007	19613-ZE1-000	CLAMPER, CORD	(1)	
008	19631-ZE0-000	SHROUD COMP.	1	
010	36101-ZE1-000	CORD, STOP SWITCH (370MM)	1	2255396
010	36101-ZE1-010	CORD, STOP SWITCH (370MM)	1	2255397
011	36103-ZE1-000	HOLDER, STOP SWITCH CORD	2	
012	90013-883-000	BOLT, FLANGE, 6X12 (CT200)	6	
013	90013-883-000	BOLT, FLANGE, 6X12 (CT200)	1	1456125
013	90022-888-010	BOLT, FLANGE, 6X20 (CT200)	1	1456126
<u>Ref</u>	<u>Partnumber</u>	<u>Description</u>	<u>GX110</u>	<u>Serial Numbers</u>
014	95701-0600800	BOLT, FLANGE, 6X8	(2)	

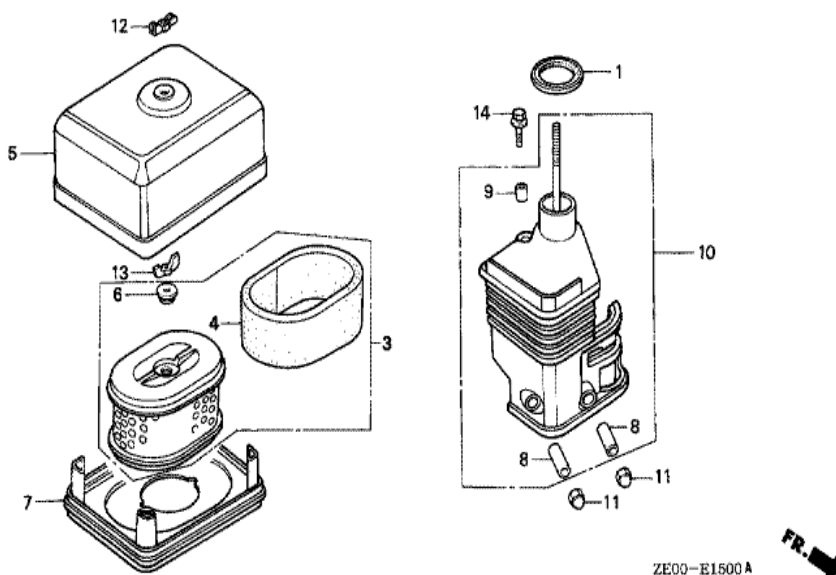
GX110(HX)	E-14-1 CARBURETOR (2)
-----------	-----------------------



Ref	Partnumber	Description	GX110	Serial Numbers
002	16010-ZE0-821	GASKET SET	(1)	BE01C B
002	16010-ZE1-811	GASKET SET	(1)	BE01B C BE01B F
002	16010-ZE1-812	GASKET SET	(1)	BE01B G
003	16011-ZE0-005	VALVE SET, FLOAT	(1)	
004	16013-ZE0-005	FLOAT SET	(1)	
005	16015-ZE1-811	CHAMBER SET, FLOAT	1	BE01C E BE01C F
005	16015-ZE1-811	CHAMBER SET, FLOAT	1	BE01B F
006	16016-ZE0-005	SCREW SET, PILOT	(1)	
007	16024-ZE1-811	SCREW SET, DRAIN	(1)	BE01C C BE01C F
008	16028-ZE0-005	SCREW SET	(1)	
009	16044-733-005	CHOKE SET	1	BE01C B BE01C F
009	16044-733-005	CHOKE SET	1	BE01B F
009	16044-ZE0-005	CHOKE SET	1	BE01C A

<u>Ref</u>	<u>Partnumber</u>	<u>Description</u>	<u>GX110</u>	<u>Serial Numbers</u>
010	16100-ZE0-816	CARBURETOR ASSY. (BE01B F) (WITH STRAINE	1	2006311
010	16100-ZE0-817	CARBURETOR ASSY. (BE01B G) (WITH STRAINE	(1)	
010	16100-ZE0-821	CARBURETOR ASSY. (BE01C A)	(1)	1143606
010	16100-ZE0-823	CARBURETOR ASSY. (BE01C C)	(1)	1143607 1215360
010	16100-ZE0-824	CARBURETOR ASSY. (BE01C D)	(1)	1215361 1290556
010	16100-ZE0-826	CARBURETOR ASSY. (BE01C F)	(1)	1290557 2006310
011	16124-ZE0-005	SCREW, THROTTLE STOP	(1)	
012	16166-ZE0-005	NOZZLE, MAIN	1	BE01C C
012	16166-ZE0-015	NOZZLE, MAIN	1	BE01C D BE01C F
012	16166-ZE0-015	NOZZLE, MAIN	1	BE01B F
013	16173-001-004	PACKING, FUEL STRAINER CUP	(1)	
014	16211-ZE0-000	INSULATOR, CARBURETOR	1	
015	16212-ZE0-000	PACKING, INSULATOR	1	
016	16220-ZE1-000	SPACER COMP., CARBURETOR	1	1549317
016	16220-ZE1-010	SPACER COMP., CARBURETOR	1	1549318 1620646
016	16220-ZE1-020	SPACER COMP., CARBURETOR	1	1620647
017	16221-ZE1-000	PACKING, CARBURETOR	1	
020	16610-ZE1-000	LEVER COMP., CHOKE (STD.)	(1)	
024	16953-ZE1-811	LEVER, COCK	1	BE01D C
025	16954-ZE1-811	PLATE, LEVER SETTING	1	
026	16956-ZE1-811	SPRING, COCK LEVER	1	BE01D C
027	16957-ZE1-811	PACKING, FUEL COCK	1	BE01C C BE01C F
027	16957-ZE1-811	PACKING, FUEL COCK	1	BE01B F BE01B F
027	16957-ZE1-812	PACKING, FUEL COCK	(1)	BE01B G
028	16967-ZE0-811	CUP, FUEL STRAINER	(1)	
030	93500-030080H	SCREW, PAN, 3X8	2	BE01C C BE01C F
030	93500-030080H	SCREW, PAN, 3X8	2	BE01B F BE01B F
030	93500-030081G	SCREW, PAN, 3X8	(2)	BE01B G
033	94305-20122	PIN, SPRING, 2X12	(1)	
034	99101-1240550	JET, MAIN, #55	(1)	
034	99101-1240580	JET, MAIN, #58	(1)	
034	99101-1240600	JET, MAIN, #60	1	BE01C D BE01C F
034	99101-1240600	JET, MAIN, #60	1	BE01B F
<u>Ref</u>	<u>Partnumber</u>	<u>Description</u>	<u>GX110</u>	<u>Serial Numbers</u>
034	99101-1240620	JET, MAIN, #62	(1)	
035	99204-ZE00350	JET SET, PILOT, #35	(1)	

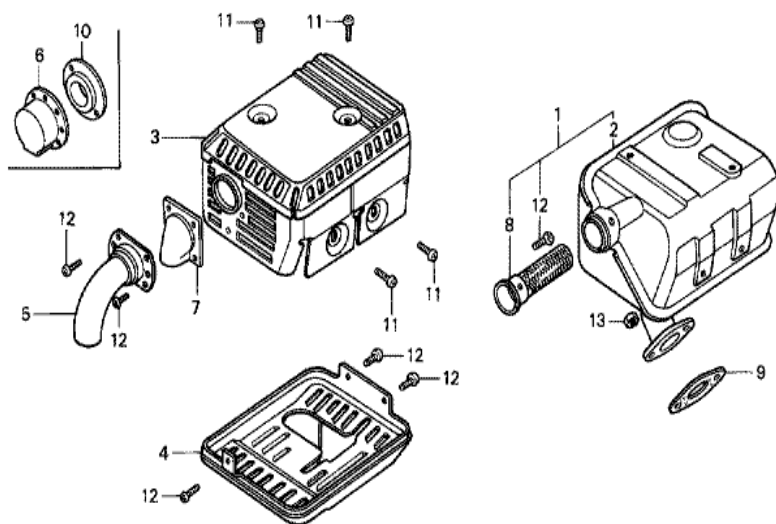
GX110(HX)	E-15 AIR CLEANER (DUAL)
-----------	-------------------------



<u>Ref</u>	<u>Partnumber</u>	<u>Description</u>	<u>GX110</u>	<u>Serial Numbers</u>
001	16271-ZE1-000	PACKING, ELBOW	(1)	
003	17210-ZE0-822	ELEMENT, AIR CLEANER (DUAL)	(1)	
004	17218-ZE0-821	FILTER, OUTER	(1)	
005	17230-ZE0-820	COVER, AIR CLEANER (DUAL)	(1)	
006	17232-891-000	GROMMET, AIR CLEANER	(1)	
008	17238-ZE0-000	COLLAR, AIR CLEANER	(2)	1192385 1549317
008	17238-ZE0-010	COLLAR, AIR CLEANER	2	1549318
008	17238-ZE1-000	COLLAR, AIR CLEANER	2	1192384
009	17239-ZE1-000	COLLAR B, AIR CLEANER	(1)	
010	17410-ZE0-000	ELBOW COMP., AIR CLEANER	(1)	1190268
010	17410-ZE0-010	ELBOW COMP., AIR CLEANER	1	1190269
010	17410-ZE0-020	ELBOW COMP., AIR CLEANER	(1)	1192385 1549317
010	17410-ZE0-030	ELBOW COMP., AIR CLEANER	1	1549318
<u>Ref</u>	<u>Partnumber</u>	<u>Description</u>	<u>GX110</u>	<u>Serial Numbers</u>
011	90201-415-000	NUT, CAP, 6MM	2	
012	90203-PB2-000	NUT, AIR CLEANER COVER (DACRO COATING)	(1)	
013	90325-044-000	NUT, TOOL BOX SETTING	(1)	
014	93494-0602008	BOLT-WASHER, 6X20	1	

GX110(HX)

E-16 MUFFLER (STANDARD)



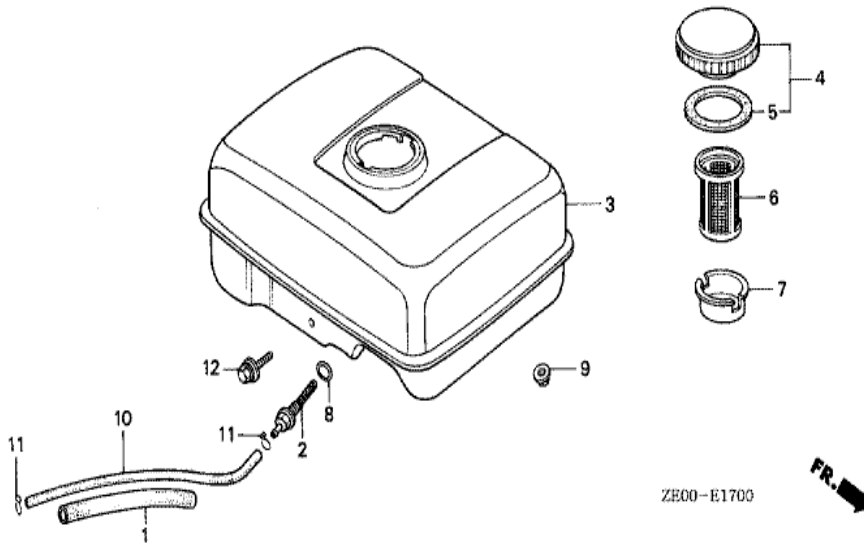
ZE00-E1600



Ref	Partnumber	Description	GX110	Serial Numbers
002	18310-ZE1-000	MUFFLER COMP. (STD.)	(1)	1606441
002	18310-ZE1-010	MUFFLER COMP. (STD.)	1	1606442
003	18320-ZE1-000	PROTECTOR, UPPER	(1)	
009	18381-ZE1-000	GASKET, MUFFLER	1	
011	90050-ZE1-000	SCREW, TAPPING, 5X8	(4)	
013	94001-08000S	NUT, HEX., 8MM	2	2322730

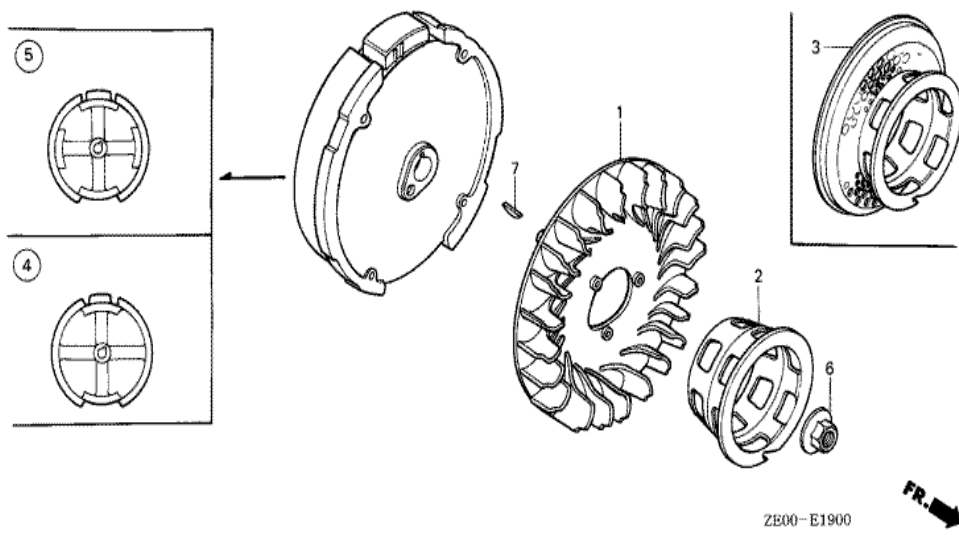
GX110(HX)

E-17 FUEL TANK



Ref	Partnumber	Description	GX110	Serial Numbers
001	16854-ZE1-000	RUBBER, SUPPORTER (107MM)	(1)	
001	16854-ZH8-000	RUBBER, SUPPORTER (107MM)	1	2388435
002	16955-ZE1-000	JOINT, FUEL TANK	(1)	
003	17510-ZE0-020ZA	TANK COMP., FUEL *NH31 *	(1)	
004	17620-890-010	CAP COMP., FUEL FILLER	(1)	
005	17631-329-003	PACKING, FUEL FILLER CAP (39X58X3)	(1)	
008	91353-671-004	O-RING, 14MM (NOK)	(1)	
009	94050-06000	NUT, FLANGE, 6MM	(2)	
010	95001-4514040	TUBE, FUEL, 4.5X140 (95001-45001-60M)	(1)	
011	95002-02080	CLIP, TUBE (B8)	(2)	
012	95900-0602500	BOLT, FLANGE, 6X25	(1)	

GX110(HX)	E-19 FLYWHEEL
-----------	---------------

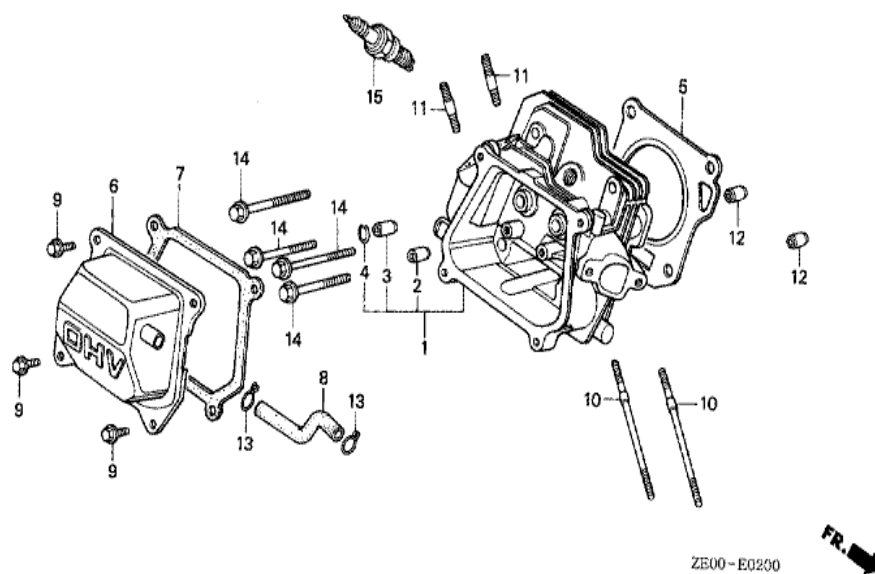


Ref	Partnumber	Description	GX110	Serial Numbers
001	19511-ZE0-000	FAN, COOLING	1	
002	28451-ZE0-003	PULLEY, STARTER	(1)	
004	31100-ZE0-000	FLYWHEEL COMP.	(1)	
006	90201-878-003	NUT, SPECIAL, 14MM	1	
007	13331-357-000	KEY, SPECIAL WOODRUFF, 25X18	1	1256069
007	94401-25180	KEY, WOODRUFF, 25X18	1	1256068



GX110(HX)

E-2 CYLINDER HEAD

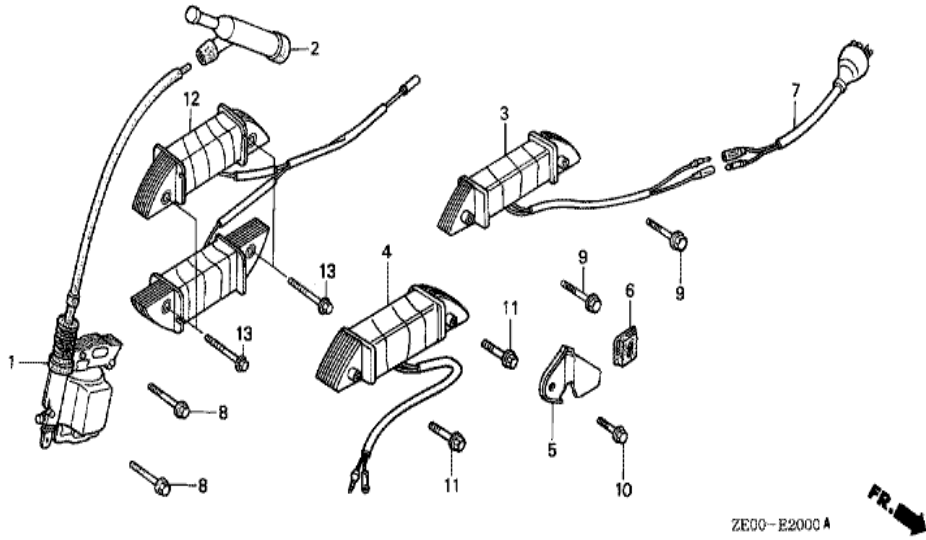


ZE00-E0200



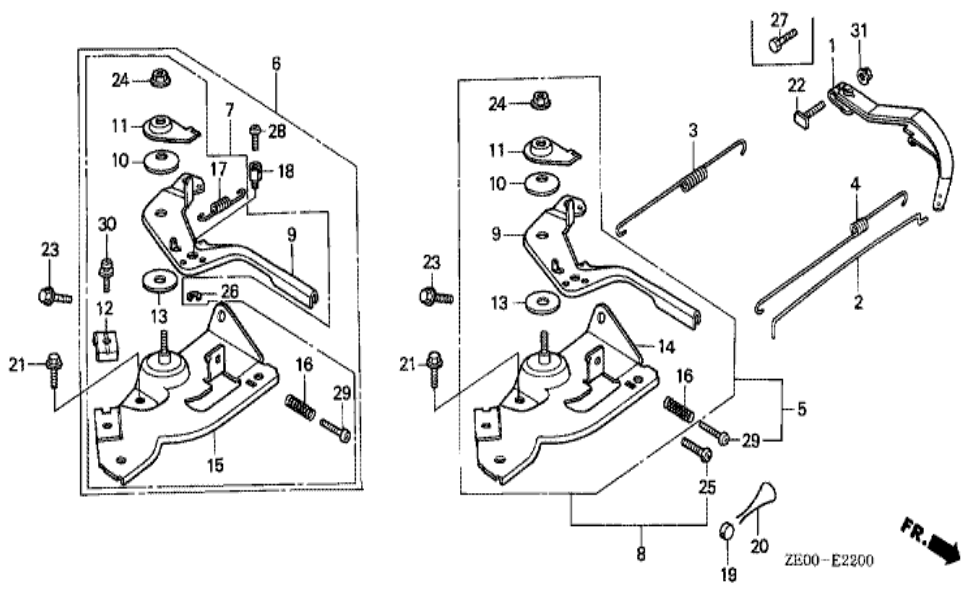
Ref	Partnumber	Description	GX110	Serial Numbers
001	122A0-ZE0-000	HEAD COMP., CYLINDER	1	1180252
001	122A0-ZE0-010	HEAD COMP., CYLINDER	1	1180253 1250139
001	122A0-ZE0-020	HEAD COMP., CYLINDER	1	1250140
002	12204-ZE1-306	GUIDE, IN. VALVE (OS)	(1)	
003	12205-ZE1-305	GUIDE, EX. VALVE (O.S.)	(1)	1250139
003	12205-ZE1-315	GUIDE, EX. VALVE (OS)	(1)	1250140
004	12216-ZE5-300	CLIP, VALVE GUIDE	(1)	1250140
005	12251-ZE0-800	GASKET, CYLINDER HEAD	1	
006	12310-ZE1-000	COVER COMP., HEAD	1	
007	12391-ZE1-000	PACKING, HEAD COVER	1	
008	15721-ZE1-000	TUBE, BREATHER	1	1190268
008	15721-ZE1-010	TUBE, BREATHER	1	1190269
009	90013-883-000	BOLT, FLANGE, 6X12 (CT200)	4	1043353
Ref	Partnumber	Description	GX110	Serial Numbers
009	90016-ZE1-000	BOLT, FLANGE, 6X13 (CT200)	4	1043354
010	90043-ZE0-000	BOLT, STUD, 6X112	2	1180252
010	90043-ZE1-010	BOLT, STUD, 6X109	2	1180253
011	90047-ZE1-000	BOLT, STUD, 8X32	2	
012	94301-10160	DOWEL PIN, 10X16	2	
014	95723-0805500	BOLT, FLANGE, 8X55	4	
015	98079-56846	PLUG, SPARK (BPR6ES) (NGK)	(1)	
015	98079-56855	PLUG, SPARK (W20EPR-U) (DENSO)	(1)	

GX110(HX)	E-20 IGNITION COIL
-----------	--------------------



Ref	Partnumber	Description	GX110	Serial Numbers
001	30500-ZE1-013	COIL ASSY., IGNITION	(1)	2255396
001	30500-ZE1-023	COIL ASSY., IGNITION	(1)	2255397
002	30700-ZE1-013	CAP ASSY., NOISE SUPPRESSOR (NICHIIWA Y-E	(1)	
008	90121-952-000	BOLT, FLANGE, 6X25 (CT200)	2	1404011

GX110(HX)	E-22 CONTROL
-----------	--------------

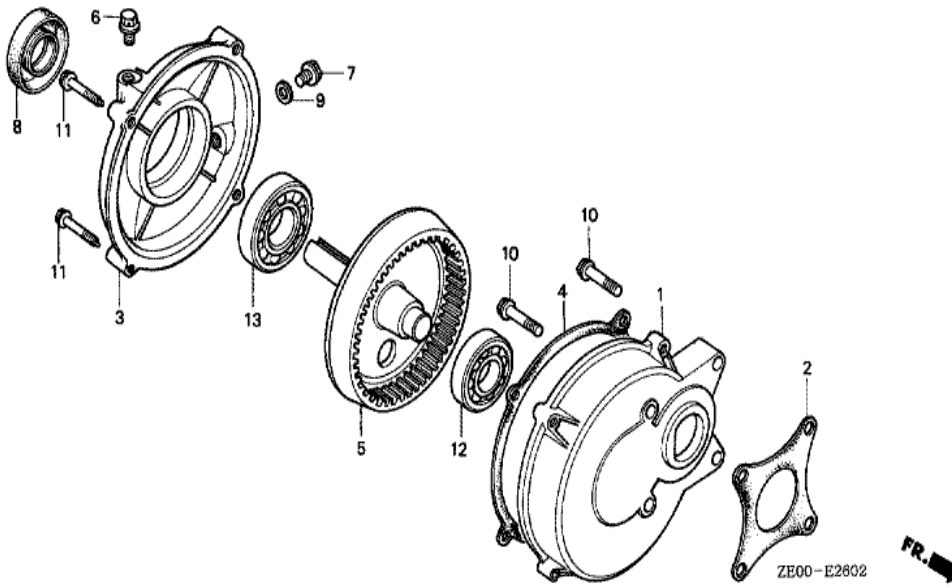


Ref	Partnumber	Description	GX110	Serial Numbers
001	16551-ZE0-000	ARM, GOVERNOR	1	1209170
001	16551-ZE0-010	ARM, GOVERNOR	1	1290557
001	16551-ZE1-010	ARM, GOVERNOR	1	1209171 1290556
002	16555-ZE0-000	ROD, GOVERNOR	1	
003	16561-ZE0-020	SPRING, GOVERNOR	1	1290557
003	16561-ZE0-810	SPRING, GOVERNOR	1	1290556
004	16562-ZE0-000	SPRING, THROTTLE RETURN	1	1290556
004	16562-ZE0-020	SPRING, THROTTLE RETURN	1	1290171
007	16500-ZH7-820	CONTROL ASSY. (REMOTE)	(1)	2365193
007	16570-ZE0-820	CONTROL ASSY. (REMOTE)	(1)	1290515
007	16570-ZE0-821	CONTROL ASSY. (REMOTE)	1	2365192
009	16571-ZE0-000	LEVER, CONTROL	1	1290556
009	16571-ZE0-010	LEVER, CONTROL	1	2365192

<u>Ref</u>	<u>Partnumber</u>	<u>Description</u>	<u>GX110</u>	<u>Serial Numbers</u>
009	16571-ZH7-000	LEVER, CONTROL	(1)	2365193
010	16574-ZE1-000	SPRING, LEVER	(1)	
011	16575-ZE1-000	WASHER, CONTROL LEVER	(1)	2365192
011	16575-ZH8-000	WASHER, CONTROL LEVER	(1)	2365193
012	16576-891-000	HOLDER, CABLE	(1)	
013	16578-ZE1-000	SPACER, CONTROL LEVER	(1)	
015	16580-ZH7-810	BASE COMP., CONTROL (###)	(1)	2365193
015	16581-ZE0-810	BASE COMP., CONTROL (REMOTE)	1	1290556
015	16581-ZE0-811	BASE COMP., CONTROL (REMOTE)	1	1290557 2365192
016	16584-883-300	SPRING, CONTROL ADJUSTING	(1)	
017	16592-ZE1-810	SPRING, CABLE RETURN	(1)	
021	90013-883-000	BOLT, FLANGE, 6X12 (CT200)	(1)	
022	90015-ZE5-010	BOLT, GOVERNOR ARM	1	
023	90022-888-010	BOLT, FLANGE, 6X20 (CT200)	(1)	
024	90114-SA0-000	NUT, SELF-LOCK, 6MM	1	1043354
024	94050-06000	NUT, FLANGE, 6MM	(1)	1043353
027	92000-060200A	BOLT, HEX., 6X20	1	1521289
029	93500-050200H	SCREW, PAN, 5X20	1	1404010
029	93500-050250H	SCREW, PAN, 5X25	1	1290171
030	93893-0501600	SCREW-WASHER, 5X16	1	2365192
031	94050-06000	NUT, FLANGE, 6MM	(1)	

GX110(HX)

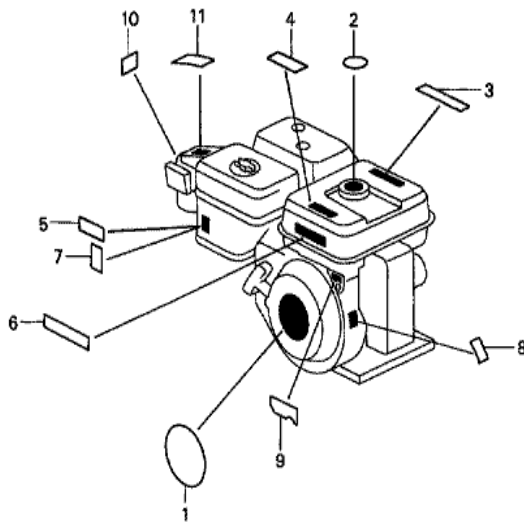
E-26-2 REDUCTION (1/6) (HH,HX,H1)



Ref	Partnumber	Description	GX110	Serial Numbers
001	21521-883-741	CASE, REDUCTION	1	
002	21591-883-740	PACKING, REDUCTION CASE	1	
003	21621-883-741	COVER, REDUCTION	1	
004	21692-883-741	PACKING, REDUCTION COVER	1	
005	23710-883-740	SHAFT, P.T.O. (86T)	1	
006	90002-883-740	BOLT, BREATHING	1	
007	90131-883-000	BOLT, DRAIN PLUG, 12X15	1	
008	91202-883-005	OIL SEAL, 25X41X6	1	
009	94109-12000	WASHER, DRAIN PLUG, 12MM	1	
010	95700-0803208	BOLT, FLANGE, 8X32	4	
011	95700-0803500	BOLT, FLANGE, 8X35	4	
012	96100-6204000	BEARING, RADIAL BALL, 6204	1	
013	96100-6305000	BEARING, RADIAL BALL, 6305	1	

GX110(HX)

E-28 LABEL

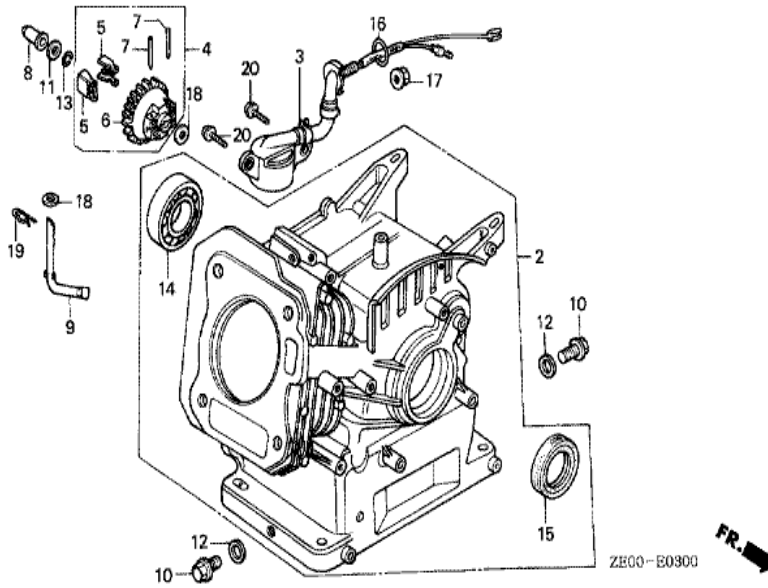


ZE00-F2800

Ref	Partnumber	Description	GX110	Serial Numbers
001	87521-ZE0-830	EMBLEM (EXTERNAL/ALERT)	(1)	
002	87522-ZE1-810	MARK, CAUTION	(1)	
007	87528-ZE1-810	MARK, CHOKE	(1)	
009	87532-ZE1-810	MARK, OIL ALERT (EXTERNAL)	(1)	

GX110(HX)

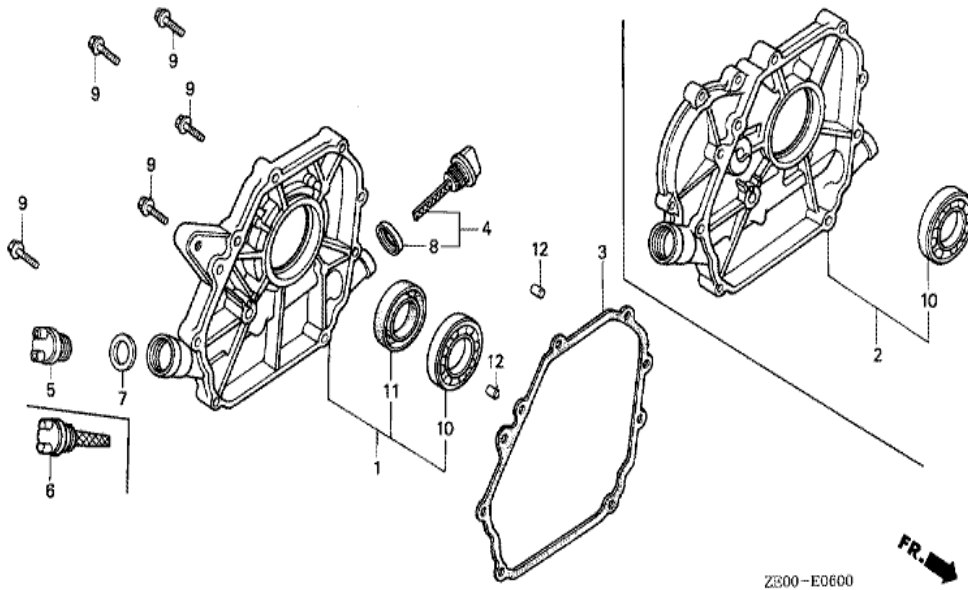
E-3 CYLINDER BARREL



Ref	Partnumber	Description	GX110	Serial Numbers
002	120A0-ZE0-810	BARREL ASSY., CYLINDER (OIL ALERT)	(1)	1456024
002	120A0-ZE0-811	BARREL ASSY., CYLINDER (OIL ALERT)	1	1456025 2277921
002	120A0-ZE0-812	BARREL ASSY., CYLINDER (OIL ALERT)	(1)	2277922
003	15510-ZE1-003	SWITCH ASSY., OIL LEVEL	(1)	
004	16510-ZE1-000	GOVERNOR ASSY.	1	
005	16511-ZE1-000	WEIGHT, GOVERNOR	2	
006	16512-ZE1-000	HOLDER, GOVERNOR WEIGHT	1	
007	16513-ZE1-000	PIN, GOVERNOR WEIGHT	2	
008	16531-ZE1-000	SLIDER, GOVERNOR	1	
009	16541-ZE0-000	SHAFT, GOVERNOR ARM	1	2277921
009	16541-ZE1-000	SHAFT, GOVERNOR ARM	1	2277922
010	90131-ZE1-000	BOLT, DRAIN PLUG	2	
011	90451-ZE1-000	WASHER, THRUST, 6MM	1	
<u>Ref</u>	<u>Partnumber</u>	<u>Description</u>	<u>GX110</u>	<u>Serial Numbers</u>
012	90601-ZE1-000	WASHER, DRAIN PLUG, 10.2MM	2	
013	90602-ZE1-000	CLIP, GOVERNOR HOLDER	1	
014	91001-878-003	BEARING, RADIAL BALL,	(1)	
015	91202-ZE6-003	OIL SEAL, 22X35X6	(1)	
016	91353-671-004	O-RING, 14MM (NOK)	(1)	
017	94050-10000	NUT, FLANGE, 10MM	(1)	
018	94101-06800	WASHER, PLAIN, 6MM	2	
019	94251-08000	PIN, LOCK, 8MM	1	
020	95700-0601200	BOLT, FLANGE, 6X12	(2)	

GX110(HX)

E-6 CRANKCASE COVER



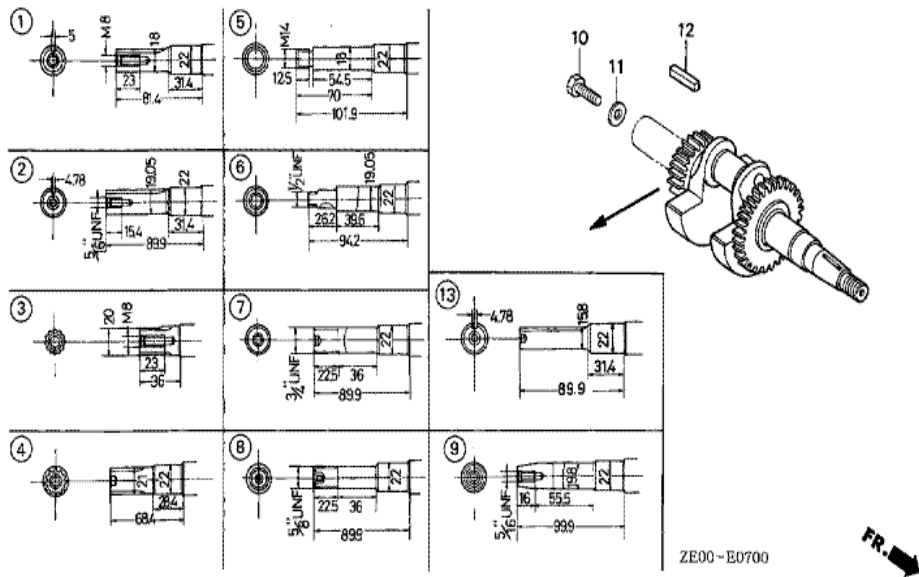
ZE00-E0600



Ref	Partnumber	Description	GX110	Serial Numbers
001	11300-ZE0-630	COVER ASSY., CRANKCASE	1	1093312
001	11300-ZE0-631	COVER ASSY., CRANKCASE	1	1093313 1736286
001	11300-ZE0-632	COVER ASSY., CRANKCASE	1	1742945
003	11381-ZE0-000	PACKING, CASE COVER	1	
004	15600-ZE1-000	CAP ASSY., OIL FILLER (GRAY)	1	
005	15620-ZG4-910	CAP, OIL FILLER	1	2431393
006	15621-ZE1-000	CAP, OIL HOLE	1	2431392
007	15621-896-010	PACKING, OIL FILLER CAP	1	
008	15625-ZE1-000	PACKING, OIL FILLER CAP	1	
009	90015-883-000	BOLT, FLANGE, 6X28 (CT200)	7	
010	91001-878-003	BEARING, RADIAL BALL,	1	
011	91203-ZE0-003	OIL SEAL, 22X41X6	1	
012	94301-08140	DOWEL PIN, 8X14	2	

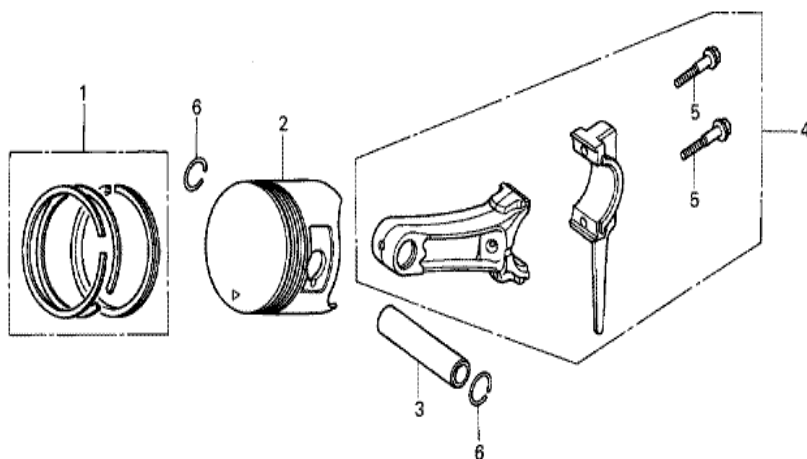


GX110(HX)	E-7 CRANKSHAFT
-----------	----------------



Ref	Partnumber	Description	GX110	Serial Numbers
004	13310-ZE0-621	CRANKSHAFT COMP.	1	

GX110(HX)	E-8 PISTON/CONNECTING ROD
-----------	---------------------------



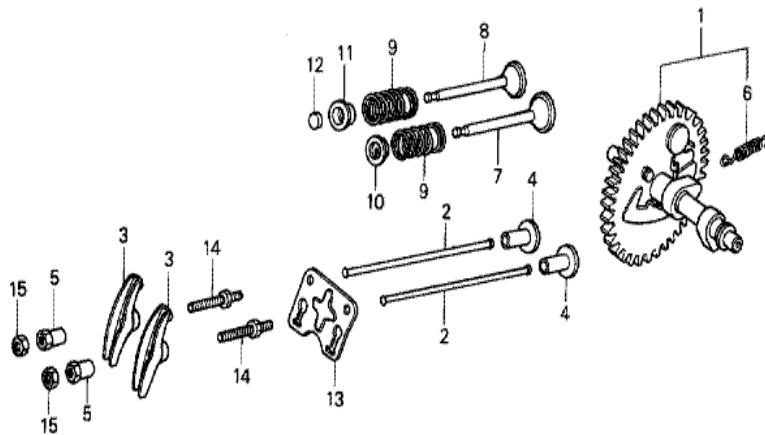
ZE00-E0800



<u>Ref</u>	<u>Partnumber</u>	<u>Description</u>	<u>GX110</u>	<u>Serial Numbers</u>
001	13010-ZE0-013	RING SET, PISTON (STD.) (NIPPON)	1	1817923
001	13010-ZE0-014	RING SET, PISTON (STD.) (TEIKOKU)	1	
001	13011-ZE0-013	RING SET, PISTON (0.25) (NIPPON)	(1)	1817923
001	13011-ZE0-014	RING SET, PISTON (0.25) (TEIKOKU)	(1)	
001	13012-ZE0-013	RING SET, PISTON (0.50) (NIPPON)	(1)	1817923
001	13012-ZE0-014	RING SET, PISTON (0.50) (TEIKOKU)	(1)	1817923
001	13013-ZE0-013	RING SET, PISTON (0.75) (NIPPON)	(1)	
001	13013-ZE0-014	RING SET, PISTON (0.75) (TEIKOKU)	(1)	1817923
002	13101-ZE0-010	PISTON (STD.)	1	
002	13102-ZE0-010	PISTON (0.25)	(1)	1817923
002	13103-ZE0-010	PISTON (0.50)	(1)	
002	13104-ZE0-010	PISTON (0.75)	(1)	1817923
003	13111-ZE0-000	PIN, PISTON	1	
<u>Ref</u>	<u>Partnumber</u>	<u>Description</u>	<u>GX110</u>	<u>Serial Numbers</u>
004	13200-ZE0-000	ROD ASSY., CONNECTING	1	
004	132A0-ZE0-000	ROD ASSY., CONNECTING (UNDER SIZE)	(1)	
005	90001-ZE1-000	BOLT, CONNECTING ROD	2	
006	90551-ZE0-000	CLIP, PISTON PIN, 13MM	2	

GX110(HX)

E-9 CAMSHAFT



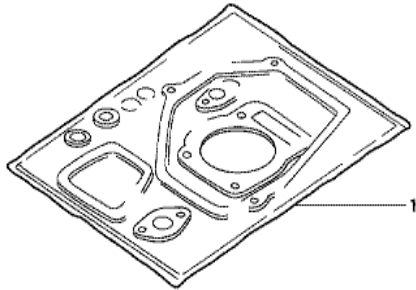
ZE00-E0900



<u>Ref</u>	<u>Partnumber</u>	<u>Description</u>	<u>GX110</u>	<u>Serial Numbers</u>
001	14100-ZE0-000	CAMSHAFT ASSY.	1	1074210
001	14100-ZE0-810	CAMSHAFT ASSY.	1	1074211 1215126
001	14100-ZE0-811	CAMSHAFT ASSY.	1	1215127 1216878
001	14100-ZE0-812	CAMSHAFT ASSY.	1	1216879
002	14410-ZE0-010	ROD, PUSH	2	
003	14431-ZE1-000	ARM, VALVE ROCKER	2	
004	14441-ZE1-000	LIFTER, VALVE	2	
005	14451-ZE1-003	PIVOT, ROCKER ARM	2	
006	14568-ZE1-000	SPRING, WEIGHT RETURN	1	
007	14711-ZE0-010	VALVE, IN.	1	
008	14721-ZE0-810	VALVE, EX. (STELLITE)	1	
009	14751-ZE1-000	SPRING, VALVE	2	
010	14771-ZE1-000	RETAINER, IN. VALVE SPRING	1	
<u>Ref</u>	<u>Partnumber</u>	<u>Description</u>	<u>GX110</u>	<u>Serial Numbers</u>
011	14773-ZE1-000	RETAINER, EX. VALVE SPRING	1	
012	14781-ZE1-000	ROTATOR, VALVE	1	
013	14791-ZE0-000	PLATE, PUSH ROD GUIDE	1	1180253
013	14791-ZE0-010	PLATE, PUSH ROD GUIDE	1	
014	90012-ZE0-000	BOLT, PIVOT (6MM)	2	1180253
014	90012-ZE0-010	BOLT, PIVOT, 8MM	2	1180254
015	90206-ZE1-000	NUT, PIVOT ADJUSTING	2	

GX110(HX)

EOP-1 GASKET KIT



HENG-X0003

<u>Ref</u>	<u>Partnumber</u>	<u>Description</u>	<u>GX110</u>	<u>Serial Numbers</u>
001	061A1-ZE0-000	GASKET KIT	1	