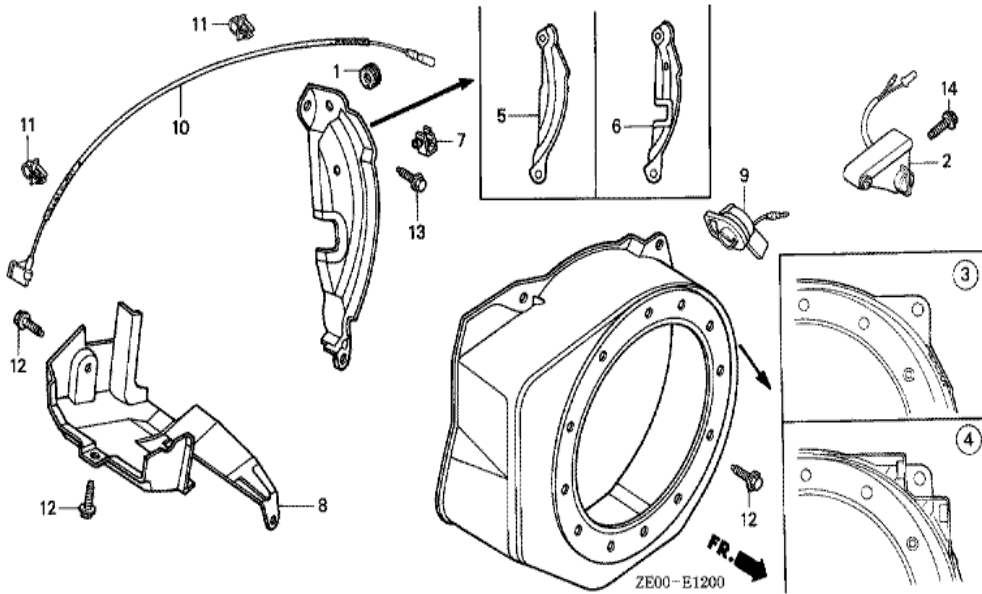
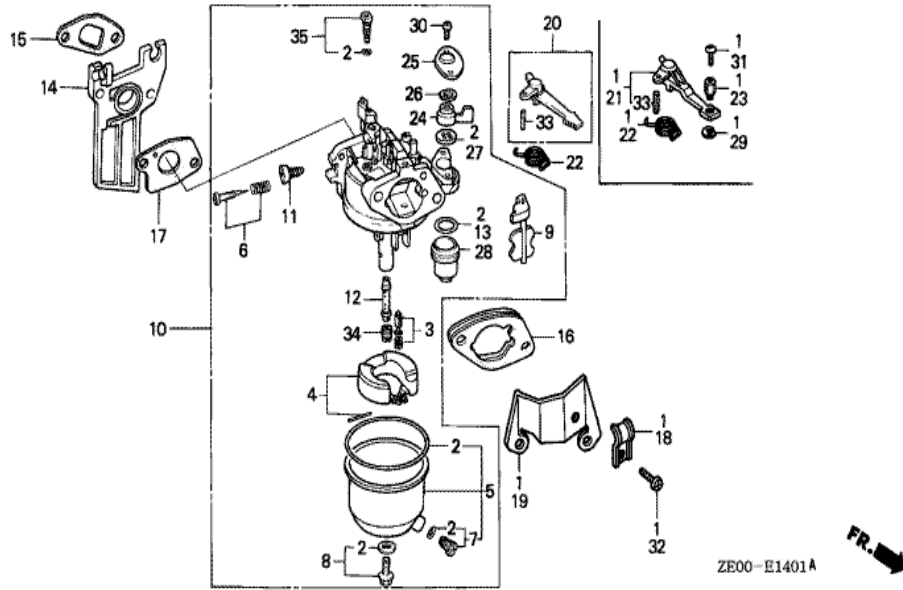


<u>Ref</u>	<u>Partnumber</u>	<u>Description</u>	<u>GX110</u>	<u>Serial Numbers</u>
002	28400-ZE1-811ZA	STARTER ASSY., RECOIL *R8 *	(1)	
004	28410-ZE1-811ZA	CASE COMP., RECOIL STARTER *R8 *	(1)	
005	28420-ZE1-003	PULLEY, RECOIL STARTER	(1)	
006	28422-ZE1-003	RATCHET, STARTER	(1)	
007	28423-ZE1-003	PIN, STARTER RATCHET	(1)	
008	28431-ZE1-003	PLATE, FRICTION	(1)	
009	28441-ZE1-003	SPRING, FRICTION	(1)	
010	28442-ZE1-003	SPRING, RECOIL STARTER	(1)	
011	28443-ZE1-003	GUIDE, RATCHET	(1)	
012	28445-ZE1-003	CASE, RECOIL STARTER SPRING	(1)	
013	28446-ZE1-003	WASHER, STARTER	(1)	
014	28447-ZE1-003	SHAFT, SUB	(1)	
015	28448-ZE1-003	NUT	(1)	
<u>Ref</u>	<u>Partnumber</u>	<u>Description</u>	<u>GX110</u>	<u>Serial Numbers</u>
016	28461-ZE1-003	KNOB, RECOIL STARTER	(1)	
017	28462-ZE1-003	ROPE, RECOIL STARTER	(1)	
019	95701-0600800	BOLT, FLANGE, 6X8	(3)	

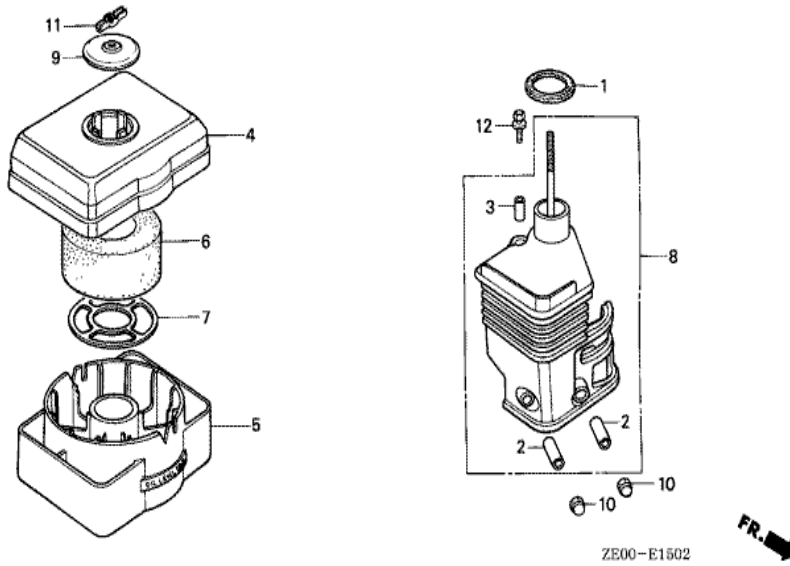


Ref	Partnumber	Description	GX110	Serial Numbers
001	11347-371-300	GROMMET, ADJUSTING COVER	1	
003	19610-ZE0-000ZA	COVER COMP., FAN *R8 *	(1)	
005	19611-ZE0-000	PLATE, SIDE	(1)	2365649
005	19612-ZH7-000	PLATE, SIDE (STD.)	(1)	2365650
008	19631-ZE0-000	SHROUD COMP.	1	
009	36100-ZE1-005	SWITCH ASSY., ENGINE STOP	(1)	
010	36101-ZE1-000	CORD, STOP SWITCH (370MM)	1	2255396
010	36101-ZE1-010	CORD, STOP SWITCH (370MM)	1	2255397
011	36103-ZE1-000	HOLDER, STOP SWITCH CORD	2	
012	90013-883-000	BOLT, FLANGE, 6X12 (CT200)	6	
013	90022-888-010	BOLT, FLANGE, 6X20 (CT200)	1	1456126

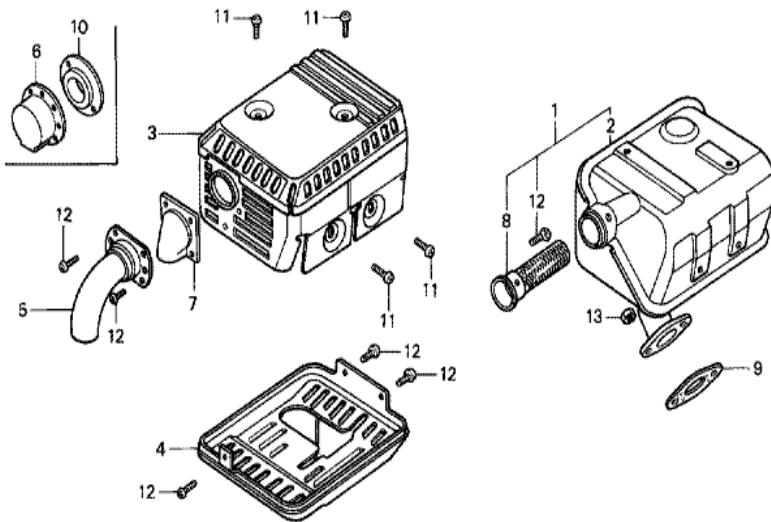


Ref	Partnumber	Description	GX110	Serial Numbers
002	16010-ZE1-811	GASKET SET	1	BE01D G
002	16010-ZE1-812	GASKET SET	1	BE01D H
003	16011-ZE0-005	VALVE SET, FLOAT	(1)	
005	16013-ZE0-005	FLOAT SET	1	
005	16015-ZE0-831	CHAMBER SET, FLOAT	1	
006	16016-ZE0-005	SCREW SET, PILOT	(1)	
007	16024-ZE1-811	SCREW SET, DRAIN	1	
008	16028-ZE0-005	SCREW SET	(1)	
009	16044-733-005	CHOKE SET	1	
010	16100-ZE0-837	CARBURETOR ASSY. (BE01D G)	1	
010	16100-ZE0-838	CARBURETOR ASSY. (BE01D H)	1	
011	16124-ZE0-005	SCREW, THROTTLE STOP	(1)	
012	16166-ZE0-015	NOZZLE, MAIN	1	

<u>Ref</u>	<u>Partnumber</u>	<u>Description</u>	<u>GX110</u>	<u>Serial Numbers</u>
013	16173-001-004	PACKING, FUEL STRAINER CUP	(1)	
014	16211-ZE0-000	INSULATOR, CARBURETOR	1	
015	16212-ZE0-000	PACKING, INSULATOR	1	
016	16220-ZE1-010	SPACER COMP., CARBURETOR	1	1620646
016	16220-ZE1-020	SPACER COMP., CARBURETOR	1	1620647
017	16221-ZE0-000	PACKING, CARBURETOR	1	
020	16610-ZE1-000	LEVER COMP., CHOKE (STD.)	(1)	
022	16615-ZE1-010	SPRING, RETURN	(1)	1190269
024	16953-ZE1-811	LEVER, COCK	1	BE01D C
025	16954-ZE1-811	PLATE, LEVER SETTING	1	
026	16956-ZE1-811	SPRING, COCK LEVER	1	BE01D C
027	16957-ZE1-811	PACKING, FUEL COCK	1	BE01D G
027	16957-ZE1-812	PACKING, FUEL COCK	1	BE01D H
028	16967-ZE0-811	CUP, FUEL STRAINER	(1)	
030	93500-030080H	SCREW, PAN, 3X8	2	BE01B C
030	93500-030081G	SCREW, PAN, 3X8	2	BE02A C
033	94305-20122	PIN, SPRING, 2X12	(1)	
034	99101-1240550	JET, MAIN, #55	(1)	
034	99101-1240580	JET, MAIN, #58	(1)	
034	99101-1240600	JET, MAIN, #60	1	
035	99204-ZE00350	JET SET, PILOT, #35	(1)	



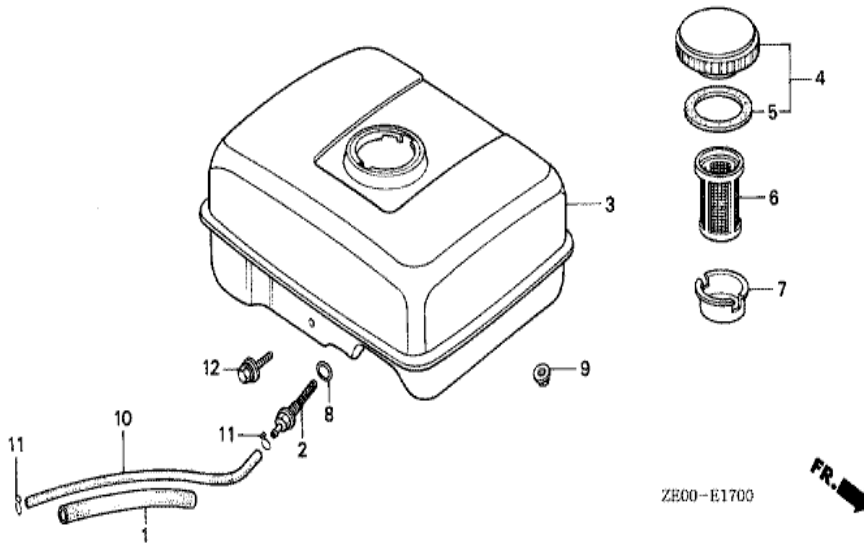
<u>Ref</u>	<u>Partnumber</u>	<u>Description</u>	<u>GX110</u>	<u>Serial Numbers</u>
001	16271-ZE1-000	PACKING, ELBOW	(1)	
002	17238-ZE0-000	COLLAR, AIR CLEANER	2	1549317
002	17238-ZE0-010	COLLAR, AIR CLEANER	2	1549318
003	17239-ZE1-000	COLLAR B, AIR CLEANER	(1)	
004	17401-ZE1-810	BODY, CLEANER (OIL BATH)	(1)	
005	17402-ZE1-810	PAN, CLEANER OIL (OIL BATH)	(1)	
006	17403-ZE1-810	ELEMENT, AIR CLEANER (OIL BATH)	(1)	
007	17404-841-000	GRID, AIR CLEANER	(1)	
008	17410-ZE0-810	ELBOW COMP., AIR CLEANER	1	1549317
008	17410-ZE0-811	ELBOW COMP., AIR CLEANER	1	1549318
009	17421-ZE1-000	CAP, CLEANER	(1)	
010	90201-415-000	NUT, CAP, 6MM	2	
011	90203-PB2-000	NUT, AIR CLEANER COVER (DACRO COATING)	(1)	
<u>Ref</u>	<u>Partnumber</u>	<u>Description</u>	<u>GX110</u>	<u>Serial Numbers</u>
011	90203-ZA0-800	NUT, WING, 6MM (BLACK)	1	2429893
012	93494-0602008	BOLT-WASHER, 6X20	1	



ZE00-E1600



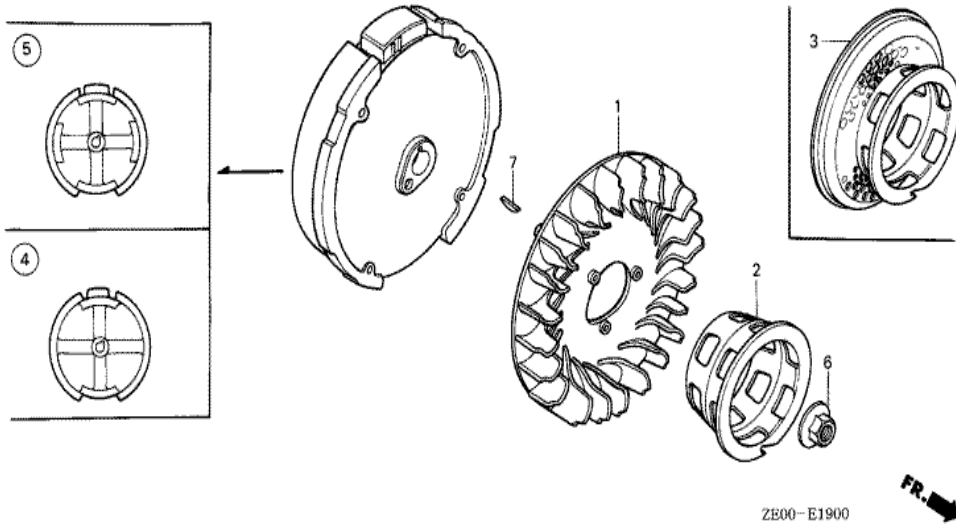
Ref	Partnumber	Description	GX110	Serial Numbers
001	183A1-ZE1-811	MUFFLER COMP. (ARRESTER)	1	1606442
003	18320-ZE1-000	PROTECTOR, UPPER	(1)	
005	18340-ZE1-000	DEFLECTOR COMP.	(1)	2085823
006	18340-ZE1-010	DEFLECTOR COMP.	1	2085824
008	18355-ZE1-000	ARRESTER, SPARK	(1)	
009	18381-ZE1-000	GASKET, MUFFLER	1	
010	18522-ZE1-000	GUIDE, MUFFLER	1	2085824
011	90050-ZE1-000	SCREW, TAPPING, 5X8	(4)	
012	90055-ZE1-000	SCREW, TAPPING, 4X6	(N)	
013	94001-080000S	NUT, HEX., 8MM	2	2322730



ZE00-E1703



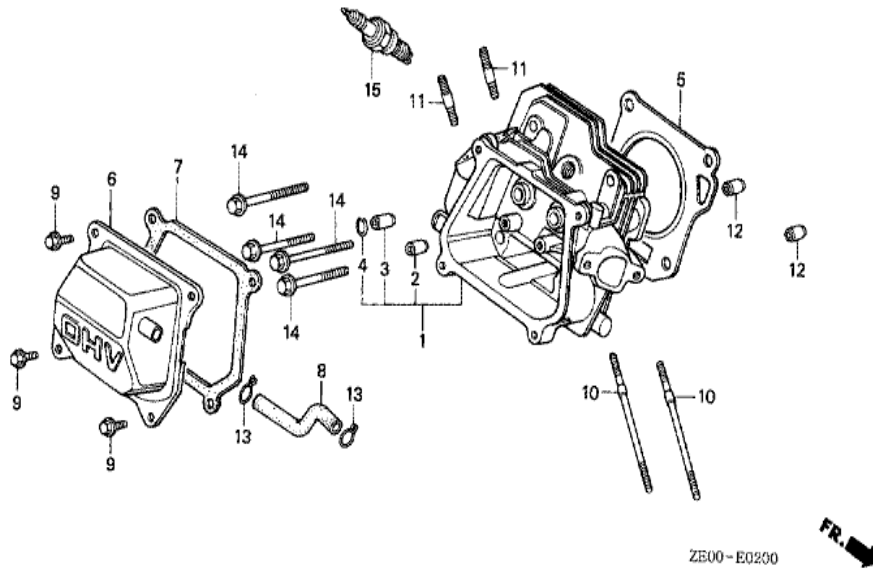
Ref	Partnumber	Description	GX110	Serial Numbers
001	16854-ZE1-000	RUBBER, SUPPORTER (107MM)	(1)	
001	16854-ZH8-000	RUBBER, SUPPORTER (107MM)	1	2388435
002	16955-ZE1-000	JOINT, FUEL TANK	(1)	
003	17510-ZE0-020ZA	TANK COMP., FUEL *NH31 *	(1)	
004	17620-890-010	CAP COMP., FUEL FILLER	(1)	
005	17631-329-003	PACKING, FUEL FILLER CAP (39X58X3)	(1)	
006	17672-880-000	FILTER, FUEL	(1)	
007	17673-893-000	HOLDER, FUEL FILTER	(1)	
008	91353-671-004	O-RING, 14MM (NOK)	(1)	
009	94050-06000	NUT, FLANGE, 6MM	(2)	
010	95001-4514040	TUBE, FUEL, 4.5X140 (95001-45001-60M)	(1)	
011	95002-02080	CLIP, TUBE (B8)	(2)	
012	95900-0602500	BOLT, FLANGE, 6X25	(1)	



ZE00-E1900

FR. →

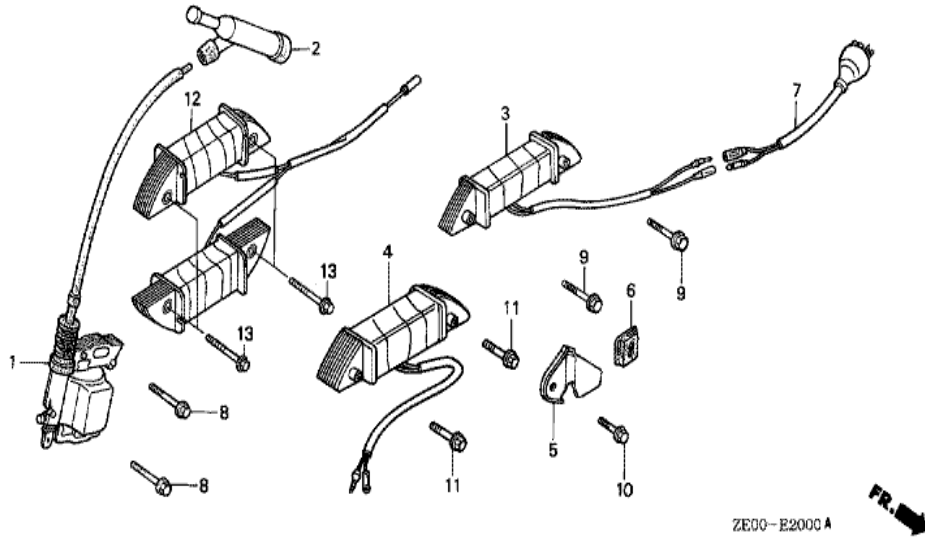
Ref	Partnumber	Description	GX110	Serial Numbers
001	19511-ZE0-000	FAN, COOLING	1	
003	28451-ZE0-811	PULLEY COMP., STARTER	(1)	
004	31100-ZE0-000	FLYWHEEL COMP.	(1)	
006	90201-878-003	NUT, SPECIAL, 14MM	1	
007	13331-357-000	KEY, SPECIAL WOODRUFF, 25X18	1	1256069



ZE00-E0200



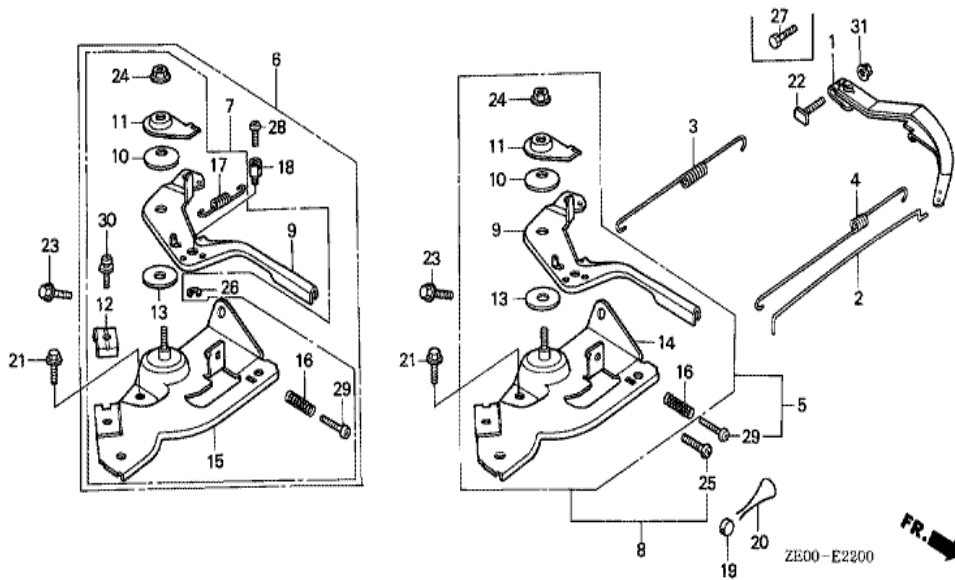
<u>Ref</u>	<u>Partnumber</u>	<u>Description</u>	<u>GX110</u>	<u>Serial Numbers</u>
001	122A0-ZE0-020	HEAD COMP., CYLINDER	1	1250140
002	12204-ZE1-306	GUIDE, IN. VALVE (OS)	(1)	
003	12205-ZE1-315	GUIDE, EX. VALVE (OS)	(1)	1250140
004	12216-ZE5-300	CLIP, VALVE GUIDE	(1)	1250140
005	12251-ZE0-800	GASKET, CYLINDER HEAD	1	
006	12310-ZE1-000	COVER COMP., HEAD	1	
007	12391-ZE1-000	PACKING, HEAD COVER	1	
008	15721-ZE1-010	TUBE, BREATHER	1	1190269
009	90016-ZE1-000	BOLT, FLANGE, 6X13 (CT200)	4	1043354
010	90043-ZE1-010	BOLT, STUD, 6X109	2	1180253
011	90047-ZE1-000	BOLT, STUD, 8X32	2	
012	94301-10160	DOWEL PIN, 10X16	2	
014	95723-0805500	BOLT, FLANGE, 8X55	4	
<u>Ref</u>	<u>Partnumber</u>	<u>Description</u>	<u>GX110</u>	<u>Serial Numbers</u>
015	98079-56846	PLUG, SPARK (BPR6ES) (NGK)	(1)	
015	98079-56855	PLUG, SPARK (W20EPR-U) (DENSO)	(1)	



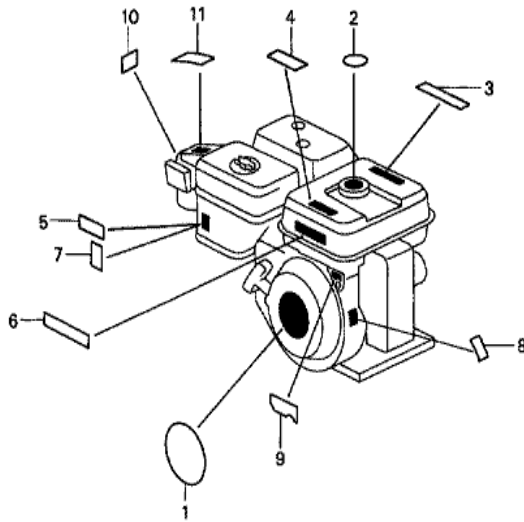
ZE90-E2000A



Ref	Partnumber	Description	GX110	Serial Numbers
001	30500-ZE1-013	COIL ASSY., IGNITION	(1)	2255396
001	30500-ZE1-023	COIL ASSY., IGNITION	(1)	2255397
002	30700-ZE1-013	CAP ASSY., NOISE SUPPRESSOR (NICHIIWA Y-E	(1)	
008	90121-952-000	BOLT, FLANGE, 6X25 (CT200)	2	1404011

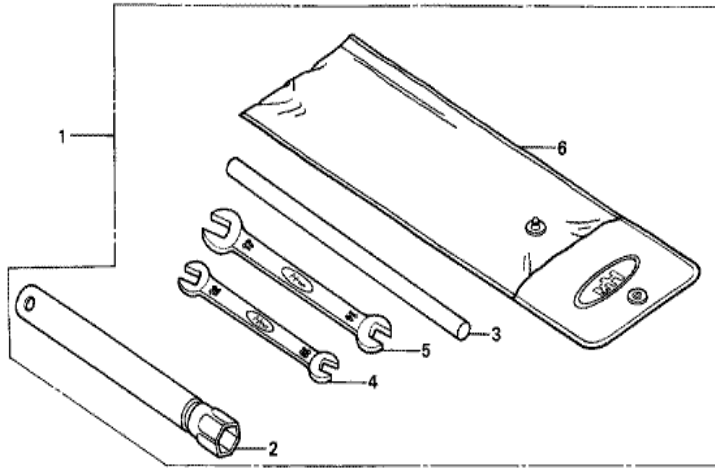


Ref	Partnumber	Description	GX110	Serial Numbers
001	16551-ZE0-010	ARM, GOVERNOR	1	1290557
002	16555-ZE0-000	ROD, GOVERNOR	1	
003	16561-ZE0-020	SPRING, GOVERNOR	1	1290557
004	16562-ZE0-020	SPRING, THROTTLE RETURN	1	1290171
007	16500-ZH7-820	CONTROL ASSY. (REMOTE)	(1)	2365193
007	16570-ZE0-821	CONTROL ASSY. (REMOTE)	1	2365192
009	16571-ZE0-010	LEVER, CONTROL	1	2365192
009	16571-ZH7-000	LEVER, CONTROL	(1)	2365193
010	16574-ZE1-000	SPRING, LEVER	(1)	
011	16575-ZE1-000	WASHER, CONTROL LEVER	(1)	2365192
011	16575-ZH8-000	WASHER, CONTROL LEVER	(1)	2365193
012	16576-891-000	HOLDER, CABLE	(1)	
013	16578-ZE1-000	SPACER, CONTROL LEVER	(1)	
Ref	Partnumber	Description	GX110	Serial Numbers
015	16580-ZH7-810	BASE COMP., CONTROL (###)	(1)	2365193
015	16581-ZE0-811	BASE COMP., CONTROL (REMOTE)	1	1290557 2365192
016	16584-883-300	SPRING, CONTROL ADJUSTING	(1)	
017	16592-ZE1-810	SPRING, CABLE RETURN	(1)	
021	90013-883-000	BOLT, FLANGE, 6X12 (CT200)	(1)	
022	90015-ZE5-010	BOLT, GOVERNOR ARM	1	
023	90022-888-010	BOLT, FLANGE, 6X20 (CT200)	(1)	
024	90114-SA0-000	NUT, SELF-LOCK, 6MM	1	1043354
029	93500-050250H	SCREW, PAN, 5X25	1	1290171
030	93500-050160A	SCREW, PAN, 5X16	1	2365193
030	93893-0501600	SCREW-WASHER, 5X16	1	2365192
031	94050-06000	NUT, FLANGE, 6MM	(1)	



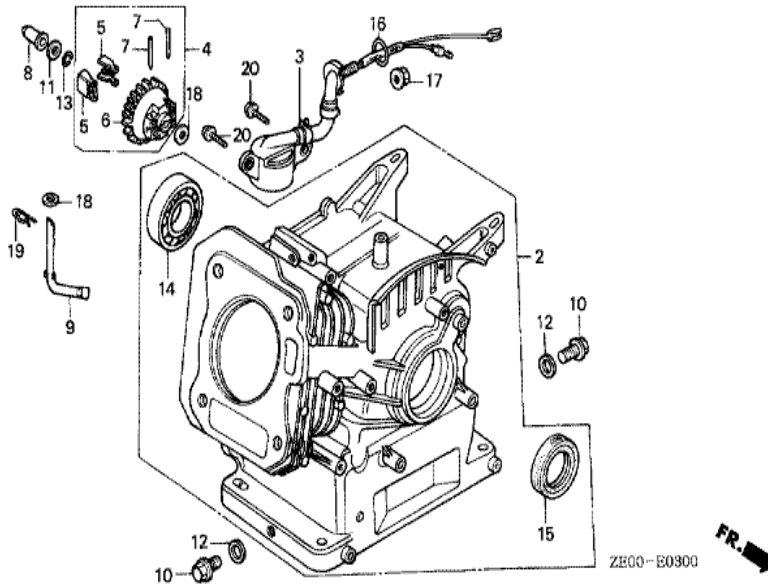
ZE00-F2800

<u>Ref</u>	<u>Partnumber</u>	<u>Description</u>	<u>GX110</u>	<u>Serial Numbers</u>
001	87521-ZE0-810	EMBLEM (EXTERNAL)	(1)	
002	87522-ZE1-810	MARK, CAUTION	(1)	
007	87528-ZE1-810	MARK, CHOKE	(1)	

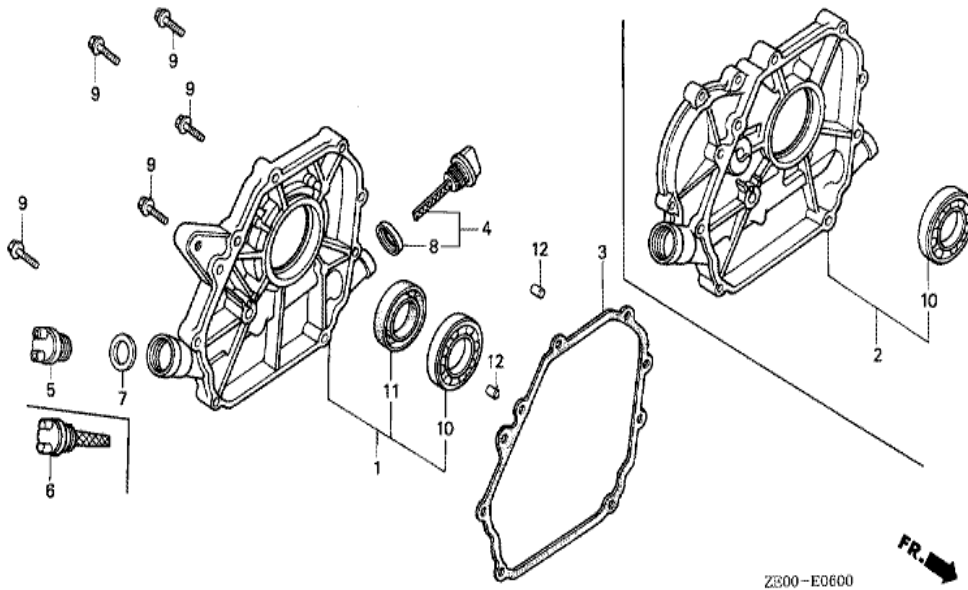


ZE00-E2900

Ref	Partnumber	Description	GX110	Serial Numbers
002	89218-ZE1-000	WRENCH COMP., SPARK PLUG	(1)	



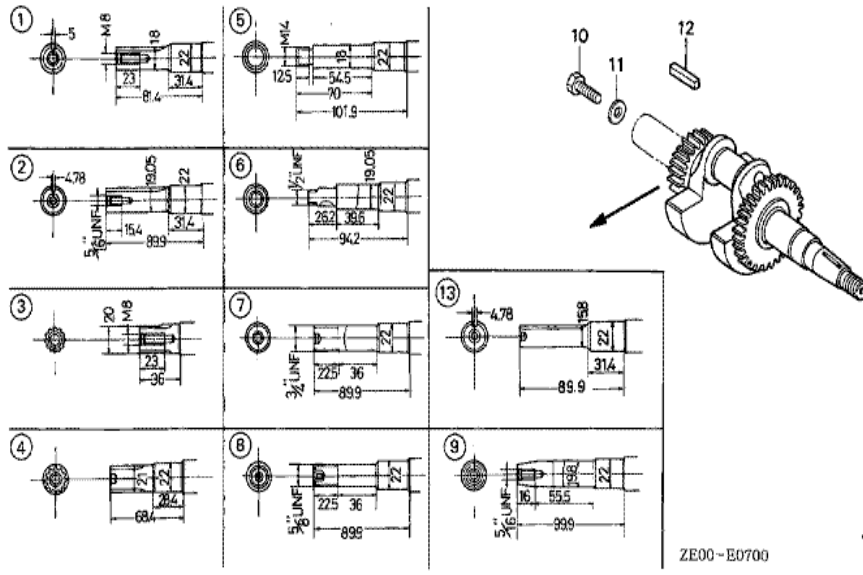
<u>Ref</u>	<u>Partnumber</u>	<u>Description</u>	<u>GX110</u>	<u>Serial Numbers</u>
002	120A0-ZE0-010	BARREL ASSY., CYLINDER	1	1456126 2277921
002	120A0-ZE0-020	BARREL ASSY., CYLINDER (STD.)	(1)	2277922
004	16510-ZE1-000	GOVERNOR ASSY.	1	
005	16511-ZE1-000	WEIGHT, GOVERNOR	2	
006	16512-ZE1-000	HOLDER, GOVERNOR WEIGHT	1	
007	16513-ZE1-000	PIN, GOVERNOR WEIGHT	2	
008	16531-ZE1-000	SLIDER, GOVERNOR	1	
009	16541-ZE0-000	SHAFT, GOVERNOR ARM	1	2277921
009	16541-ZE1-000	SHAFT, GOVERNOR ARM	1	2277922
010	90131-ZE1-000	BOLT, DRAIN PLUG	2	
011	90451-ZE1-000	WASHER, THRUST, 6MM	1	
012	90601-ZE1-000	WASHER, DRAIN PLUG, 10.2MM	2	
013	90602-ZE1-000	CLIP, GOVERNOR HOLDER	1	
<u>Ref</u>	<u>Partnumber</u>	<u>Description</u>	<u>GX110</u>	<u>Serial Numbers</u>
014	91001-878-003	BEARING, RADIAL BALL,	(1)	
015	91202-ZE6-003	OIL SEAL, 22X35X6	(1)	
018	94101-06800	WASHER, PLAIN, 6MM	2	
019	94251-08000	PIN, LOCK, 8MM	1	



ZE00-E0600

FR. →

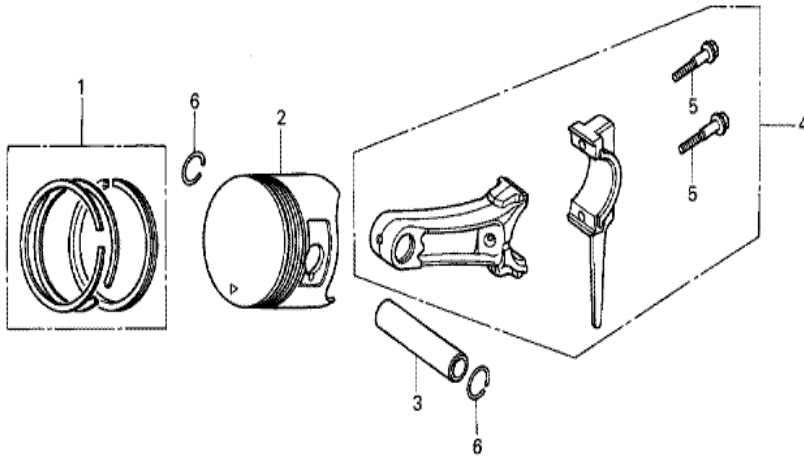
Ref	Partnumber	Description	GX110	Serial Numbers
001	11300-ZE0-640	COVER ASSY., CRANKCASE	1	1429852
003	11381-ZE0-000	PACKING, CASE COVER	1	
004	15600-ZE1-000	CAP ASSY., OIL FILLER (GRAY)	1	
005	15620-ZG4-910	CAP, OIL FILLER	1	2431393
006	15621-ZE1-000	CAP, OIL HOLE	1	2431392
007	15621-896-010	PACKING, OIL FILLER CAP	1	
008	15625-ZE1-000	PACKING, OIL FILLER CAP	1	
009	90015-883-000	BOLT, FLANGE, 6X28 (CT200)	7	
010	91001-878-003	BEARING, RADIAL BALL,	1	
011	91203-ZE0-003	OIL SEAL, 22X41X6	1	
012	94301-08140	DOWEL PIN, 8X14	2	



ZE00-E0700

FR. →

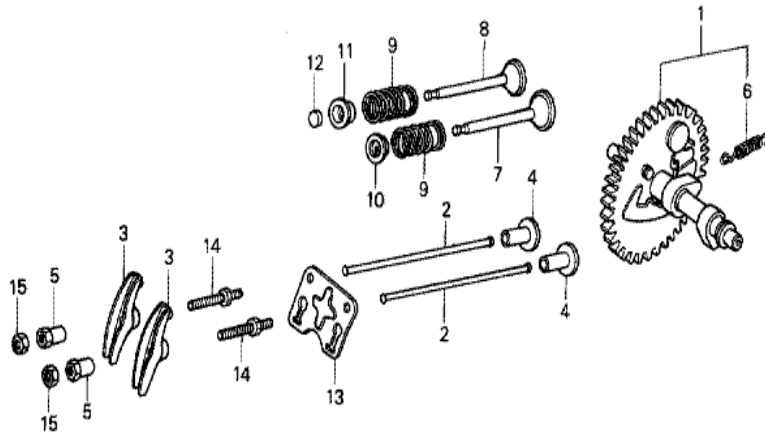
Ref	Partnumber	Description	GX110	Serial Numbers
012	90745-ZE1-600	KEY, 4.78X4.78X38	(1)	
013	13310-ZE0-680	CRANKSHAFT COMP.	1	



ZE00-E0800



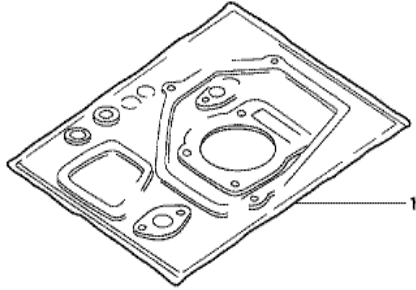
<u>Ref</u>	<u>Partnumber</u>	<u>Description</u>	<u>GX110</u>	<u>Serial Numbers</u>
001	13010-ZE0-013	RING SET, PISTON (STD.) (NIPPON)	1	1817923
001	13010-ZE0-014	RING SET, PISTON (STD.) (TEIKOKU)	1	
001	13011-ZE0-013	RING SET, PISTON (0.25) (NIPPON)	(1)	1817923
001	13011-ZE0-014	RING SET, PISTON (0.25) (TEIKOKU)	(1)	
001	13012-ZE0-013	RING SET, PISTON (0.50) (NIPPON)	(1)	1817923
001	13012-ZE0-014	RING SET, PISTON (0.50) (TEIKOKU)	(1)	1817923
001	13013-ZE0-013	RING SET, PISTON (0.75) (NIPPON)	(1)	
001	13013-ZE0-014	RING SET, PISTON (0.75) (TEIKOKU)	(1)	1817923
001	130A1-ZE0-003	RING SET, PISTON (STD.) (NIPPON)	1	1817922
001	130A1-ZE0-004	RING SET, PISTON (STD.) (TEIKOKU)	1	1817922
001	130A2-ZE0-003	RING SET, PISTON (0.25) (NIPPON)	(1)	1817922
001	130A2-ZE0-004	RING SET, PISTON (0.25) (TEIKOKU)	(1)	1817922
001	130A3-ZE0-003	RING SET, PISTON (0.50) (NIPPON)	(1)	1817922
<u>Ref</u>	<u>Partnumber</u>	<u>Description</u>	<u>GX110</u>	<u>Serial Numbers</u>
001	130A3-ZE0-004	RING SET, PISTON (0.50) (TEIKOKU)	(1)	1817922
001	130A4-ZE0-003	RING SET, PISTON (0.75) (NIPPON)	(1)	1817922
001	130A4-ZE0-004	RING SET, PISTON (0.75) (TEIKOKU)	(1)	1817922
002	13101-ZE0-000	PISTON (STD.)	1	1817922
002	13101-ZE0-010	PISTON (STD.)	1	
002	13102-ZE0-000	PISTON (0.25)	(1)	1817922
002	13102-ZE0-010	PISTON (0.25)	(1)	1817923
002	13103-ZE0-000	PISTON (0.50)	(1)	1817922
002	13103-ZE0-010	PISTON (0.50)	(1)	
002	13104-ZE0-000	PISTON (0.75)	(1)	1817922
002	13104-ZE0-010	PISTON (0.75)	(1)	1817923
003	13111-ZE0-000	PIN, PISTON	1	
004	13200-ZE0-000	ROD ASSY., CONNECTING	1	
004	132A0-ZE0-000	ROD ASSY., CONNECTING (UNDER SIZE)	(1)	
005	90001-ZE1-000	BOLT, CONNECTING ROD	2	
006	90551-ZE0-000	CLIP, PISTON PIN, 13MM	2	



ZE00-E0900



<u>Ref</u>	<u>Partnumber</u>	<u>Description</u>	<u>GX110</u>	<u>Serial Numbers</u>
001	14100-ZE0-812	CAMSHAFT ASSY.	1	1216879
002	14410-ZE0-010	ROD, PUSH	2	
003	14431-ZE1-000	ARM, VALVE ROCKER	2	
004	14441-ZE1-000	LIFTER, VALVE	2	
005	14451-ZE1-003	PIVOT, ROCKER ARM	2	
006	14568-ZE1-000	SPRING, WEIGHT RETURN	1	
007	14711-ZE0-010	VALVE, IN.	1	
008	14721-ZE0-810	VALVE, EX. (STELLITE)	1	
009	14751-ZE1-000	SPRING, VALVE	2	
010	14771-ZE1-000	RETAINER, IN. VALVE SPRING	1	
011	14773-ZE1-000	RETAINER, EX. VALVE SPRING	1	
012	14781-ZE1-000	ROTATOR, VALVE	1	
013	14791-ZE0-010	PLATE, PUSH ROD GUIDE	1	
<u>Ref</u>	<u>Partnumber</u>	<u>Description</u>	<u>GX110</u>	<u>Serial Numbers</u>
014	90012-ZE0-010	BOLT, PIVOT, 8MM	2	1180254
015	90206-ZE1-000	NUT, PIVOT ADJUSTING	2	



HENG-X0003

<u>Ref</u>	<u>Partnumber</u>	<u>Description</u>	<u>GX110</u>	<u>Serial Numbers</u>
001	061A1-ZE0-010	GASKET KIT	1	