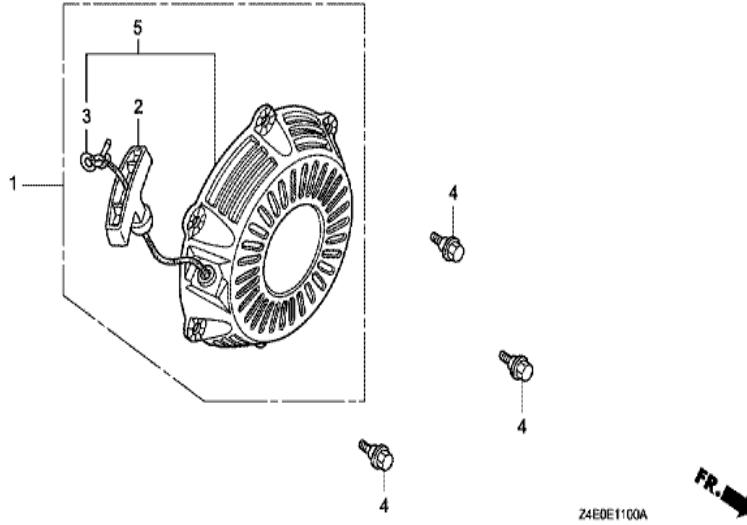
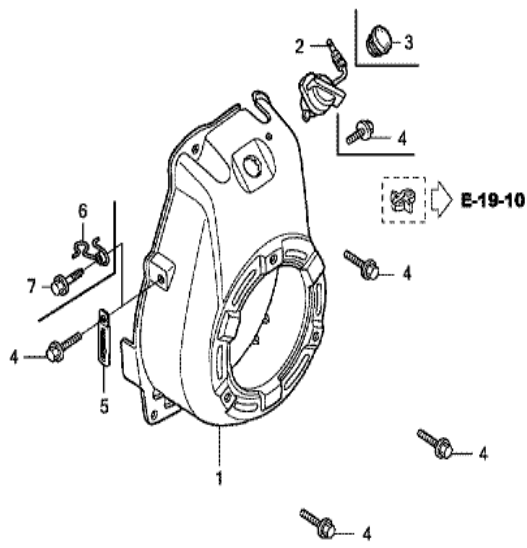


GX100U(QA26)	E-11 RECOIL STARTER (1)
--------------	-------------------------



Ref	Partnumber	Description	GX100U	Serial Numbers
001	28400-ZOD-003ZC	STARTER ASSY., RECOIL *R280 *	1	1194033
001	28400-ZOD-003ZC	STARTER ASSY., RECOIL *R280 *	1	1188184
001	28400-ZOD-013ZC	STARTER ASSY., RECOIL *R280*	1	1194034
001	28400-ZOD-013ZC	STARTER ASSY., RECOIL *R280*	1	1188185
002	28461-ZOD-003	GRIP, STARTER	1	1188184
002	28461-ZOD-013	GRIP, STARTER	1	1188185
003	28462-ZOD-003	ROPE, STARTER	1	
004	90002-ZOD-000	BOLT, FLANGE, 6MM	3	

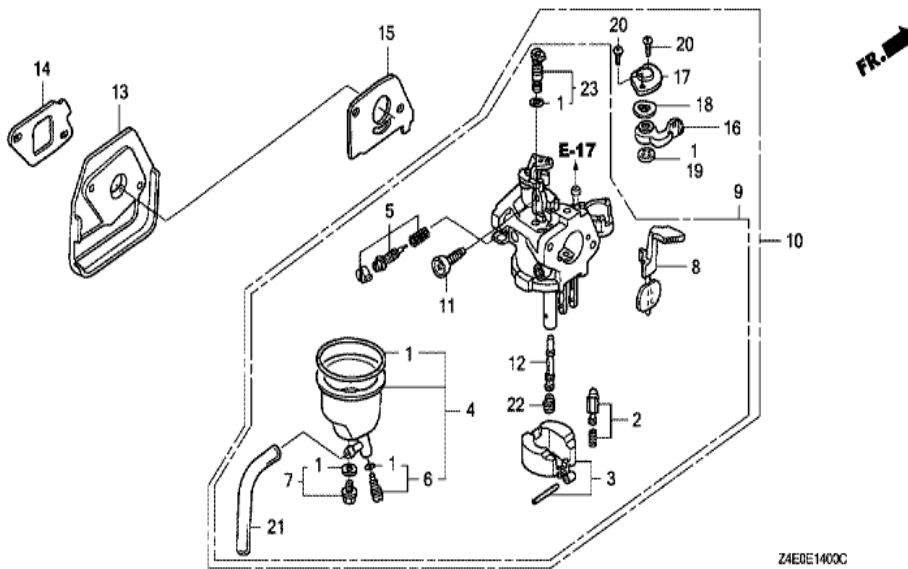
GX100U(QA26)	E-12 FAN COVER
--------------	----------------



Ref	Partnumber	Description	GX100U	Serial Numbers
001	19610-Z0D-000ZC	COVER COMP., FAN *R280 *	1	
001	19610-Z0D-000ZC	COVER COMP., FAN *R280 *	1	
002	35120-Z0D-V81	SWITCH ASSY., ENGINE STOP	1	
004	90014-952-000	BOLT, FLANGE, 6X14 (CT200)	3	
004	90014-952-000	BOLT, FLANGE, 6X14 (CT200)	4	

GX100U(QA26)

E-14 CARBURETOR (STANDARD)

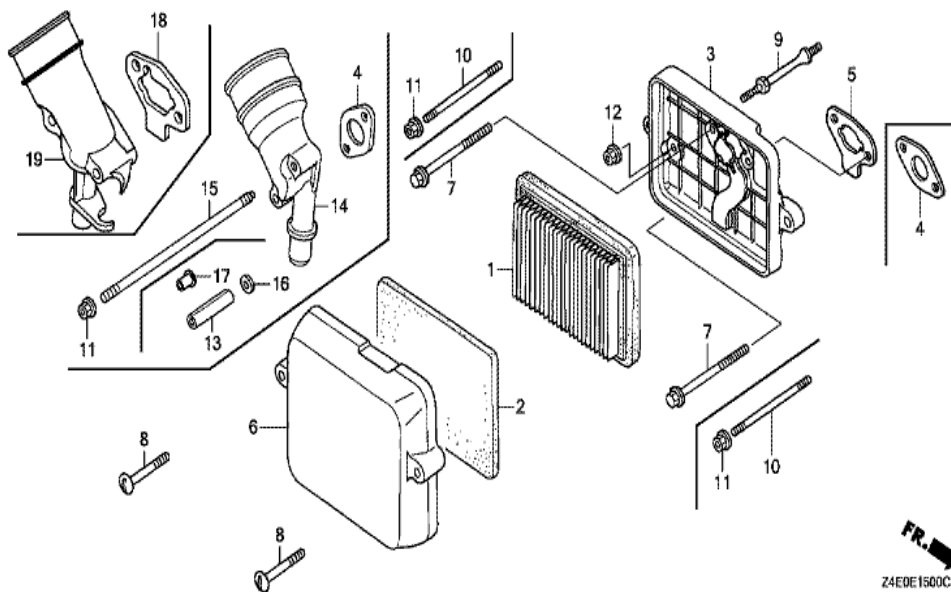


Z4E0E1400C

Ref	Partnumber	Description	GX100U	Serial Numbers
001	16010-ZM7-003	GASKET SET	1	
001	16010-ZM7-003	GASKET SET	1	
002	16011-ZE0-005	VALVE SET, FLOAT	1	
003	16013-ZG0-811	FLOAT SET	1	
004	16015-ZM7-003	CHAMBER SET, FLOAT	1	
005	16016-ZH7-W01	SCREW SET, PILOT	1	
006	16024-ZB9-005	SCREW SET, DRAIN	1	
007	16028-ZG0-811	SCREW SET	1	
008	16044-Z0D-003	CHOKE SET	1	
010	16100-Z0D-013	CARBURETOR ASSY. (BF32F B)	1	1009677
010	16100-Z4E-003	CARBURETOR ASSY. (BF32H A)	1	
010	16100-Z4E-003	CARBURETOR ASSY. (BF32H A)	1	1009678 1352974
010	16100-Z4E-013	CARBURETOR ASSY. (BF32H B)	1	1352975
Ref	Partnumber	Description	GX100U	Serial Numbers
011	16124-ZE0-005	SCREW, THROTTLE STOP	1	
012	16166-Z0D-003	NOZZLE, MAIN	1	
013	16211-Z0D-000	INSULATOR, CARBURETOR	1	
014	16212-Z0D-000	PACKING, INSULATOR	1	
015	16221-ZG0-801	PACKING, CARBURETOR	1	
016	16953-Z0D-003	LEVER, COCK	1	
017	16954-ZE1-812	PLATE, LEVER SETTING	1	
018	16956-ZE1-811	SPRING, COCK LEVER	1	
019	16957-ZE1-812	PACKING, FUEL COCK	1	
020	93500-030061H	SCREW, PAN, 3X6	2	
021	95003-0501031	TUBE, VINYL, 3.5X6.5X100 (95003-05001-60)	1	
022	99101-ZG00550	JET, MAIN, #55	(1)	
022	99101-ZG00580	JET, MAIN, #58	(1)	
022	99101-ZG00580	JET, MAIN, #58	(1)	
022	99101-ZG00600	JET, MAIN, #60	1	
022	99101-ZG00600	JET, MAIN, #60	1	
023	99204-ZE20350	JET SET, PILOT, #35	1	

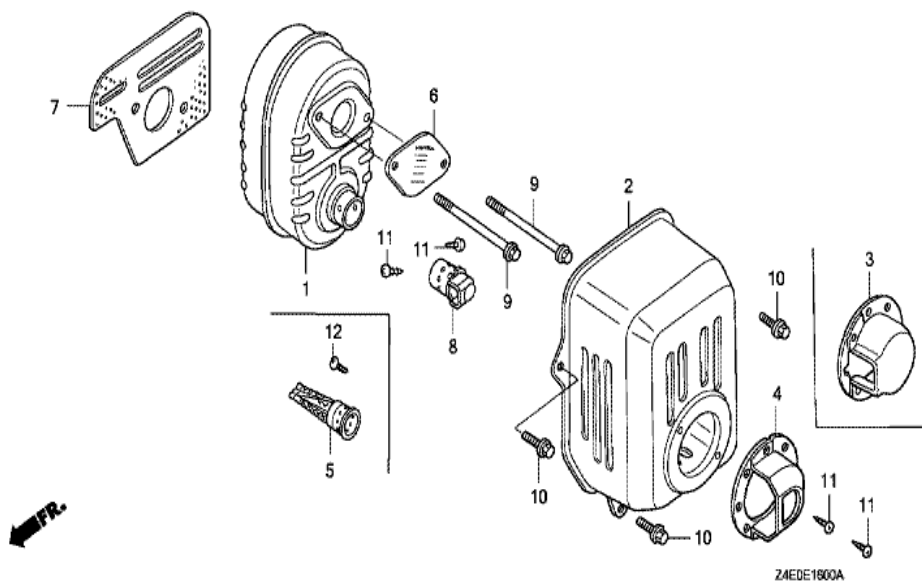
GX100U(QA26)

E-15 AIR CLEANER



Ref	Partnumber	Description	GX100U	Serial Numbers
001	17211-ZL8-013	ELEMENT, AIR CLEANER	1	1006015
001	17211-ZL8-023	ELEMENT, AIR CLEANER (TOYO ROKI)	1	
001	17211-ZL8-023	ELEMENT, AIR CLEANER (TOYO ROKI)	1	1006016
002	17218-ZOD-000	FILTER, OUTER	1	
003	17220-ZOD-000	CASE COMP., AIR CLEANER	1	
005	17274-ZT3-000	PACKING, AIR INTAKE JOINT	1	
005	17274-ZT3-000	PACKING, AIR INTAKE JOINT	1	
006	17231-ZOD-000	COVER, AIR CLEANER	1	
006	17231-ZOD-000	COVER, AIR CLEANER	1	1188573
006	17231-ZOD-010	COVER, AIR CLEANER	1	1188574
006	17231-ZOD-010	COVER, AIR CLEANER	1	1188574
007	90004-ZOD-000	BOLT, FLANGE, 5X77 (CT200)	2	
008	90011-ZOD-000	BOLT, AIR CLEANER COVER	2	

GX100U(QA26)	E-16 MUFFLER (1)
--------------	------------------



<u>Ref</u>	<u>Partnumber</u>	<u>Description</u>	<u>GX100U</u>	<u>Serial Numbers</u>
001	18310-ZM0-000	MUFFLER COMP.	1	1347685
001	18310-ZM0-010	MUFFLER COMP.	1	1347686
002	18321-ZL8-000	PROTECTOR, MUFFLER	1	1192807
002	18321-ZL8-000	PROTECTOR, MUFFLER	1	1192807
002	18321-ZL8-010	PROTECTOR, MUFFLER	1	1192808
002	18321-ZL8-010	PROTECTOR, MUFFLER	1	1192808
004	18348-ZL8-000	CAP, MUFFLER	1	
004	18348-ZL8-000	CAP, MUFFLER	1	
004	18348-ZL8-000	CAP, MUFFLER	(1)	
005	18350-ZL8-000	ARRESTER COMP., SPARK	1	1207645
005	18350-ZL8-000	ARRESTER COMP., SPARK	(1)	
007	18381-Z0D-000	GASKET, MUFFLER	1	
008	18430-ZL8-000	DEFLECTOR COMP., MUFFLER	1	
<u>Ref</u>	<u>Partnumber</u>	<u>Description</u>	<u>GX100U</u>	<u>Serial Numbers</u>
008	18430-ZL8-000	DEFLECTOR COMP., MUFFLER	1	
008	18430-ZL8-000	DEFLECTOR COMP., MUFFLER	(1)	
009	90004-ZL8-000	BOLT, FLANGE, 6X79 (CT200)	2	
010	90014-952-000	BOLT, FLANGE, 6X14 (CT200)	3	
011	90055-ZE1-000	SCREW, TAPPING, 4X6	4	
011	90055-ZE1-000	SCREW, TAPPING, 4X6	(4)	
012	90055-ZE1-000	SCREW, TAPPING, 4X6	1	1207645
012	90055-ZE1-000	SCREW, TAPPING, 4X6	(1)	

GX100U(QA26)

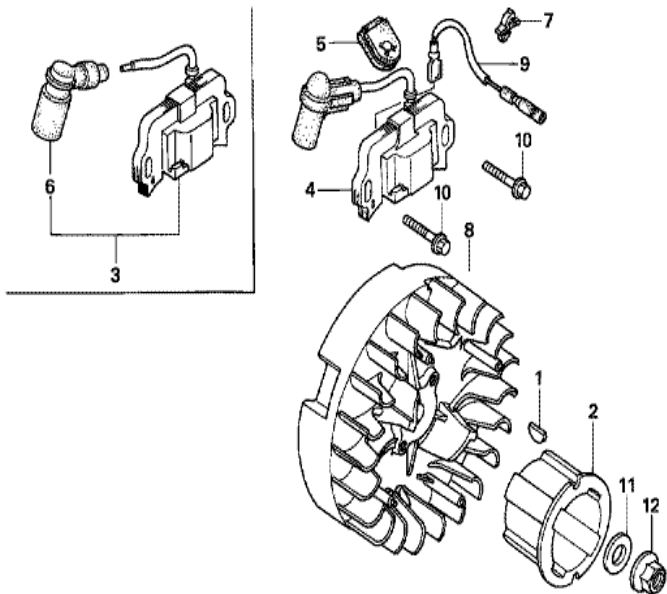
E-17 FUEL TANK



<u>Ref</u>	<u>Partnumber</u>	<u>Description</u>	<u>GX100U</u>	<u>Serial Numbers</u>	
002	16952-ZE6-000	STRAINER, FUEL	1		
003	17511-Z4C-000	TANK, FUEL	1	1066449	1303829
003	17511-Z4C-810	TANK, FUEL	1	1303830	
003	17511-ZM7-010	TANK, FUEL	1		1066448
003	17511-ZM7-010	TANK, FUEL	1		1066448
004	17532-ZM7-000	RUBBER A, TANK MOUNTING	2		
006	17533-ZM7-000	RUBBER B, TANK MOUNTING	1		
006	17533-ZM7-000	RUBBER B, TANK MOUNTING	1		
007	17561-Z0D-000	STAY A, FUEL TANK	1		
009	17566-Z0D-010	STAY B, FUEL TANK	1		
010	17620-ZL8-013	CAP ASSY., FUEL TANK	1		1066448
011	17622-ZL8-003	SPONGE, FUEL CAP BREATHER	1		
011	17622-ZL8-003	SPONGE, FUEL CAP BREATHER	1		1066448
<u>Ref</u>	<u>Partnumber</u>	<u>Description</u>	<u>GX100U</u>	<u>Serial Numbers</u>	
012	17624-ZL8-003	PACKING, FUEL CAP	1		1066448
013	17701-Z0D-000	TUBE, FUEL	1		1009677
013	17701-Z4E-003	TUBE, FUEL (FKM)	1		1161428
013	17701-Z4E-003	TUBE, FUEL (FKM)	1	1009678	1161428
013	17701-Z4E-013	TUBE, FUEL (FKM)	1	1161429	
013	17701-Z4E-013	TUBE, FUEL (FKM)	1	1161429	1354176
013	17701-Z4E-023	TUBE, FUEL (FKM)	1	1354177	
015	30507-441-000	COLLAR, IGNITION COIL SETTING	2		
016	90201-ZM0-000	NUT, FLANGE, 6MM	2		
021	95002-02080	CLIP, TUBE (B8)	1		1009677
022	95002-02100	CLIP, TUBE (B10)	1		1009677
024	95002-4080008	CLAMP, TUBE (D8)	1		
024	95002-4080008	CLAMP, TUBE (D8)	1	1009678	
025	95002-4105008	CLAMP, TUBE (D10.5)	1		
025	95002-4105008	CLAMP, TUBE (D10.5)	1	1009678	
026	17620-Z0J-800	CAP ASSY., FUEL TANK	1		
026	17620-Z0J-800	CAP ASSY., FUEL TANK	1	1066449	

GX100U(QA26)

E-19 FLYWHEEL/IGNITION COIL



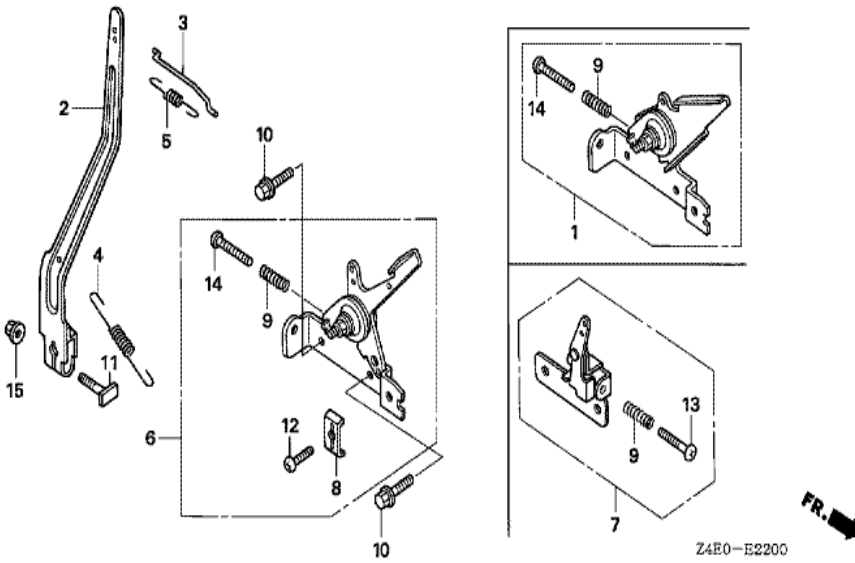
Z4E0-E1900



Ref	Partnumber	Description	GX100U	Serial Numbers
001	13331-ZM7-000	KEY, SPECIAL	1	
004	30500-Z0D-013	COIL ASSY., IGNITION	1	
004	30500-Z0D-013	COIL ASSY., IGNITION	1	1090474
004	30500-Z0D-023	COIL ASSY., IGNITION	1	1090475
004	30500-Z0D-023	COIL ASSY., IGNITION	1	1090475
005	30564-ZA5-000	GROMMET, CORD	1	
007	30701-883-000	CLIP, HIGH TENSION CORD (8MM)	1	
008	31110-Z0D-003	FLYWHEEL COMP.	1	
009	32195-Z0D-000	CORD, STOP SWITCH	1	
010	90022-888-010	BOLT, FLANGE, 6X20 (CT200)	2	
011	90531-011-010	WASHER, 12MM	1	
012	94050-12000	NUT, FLANGE, 12MM	1	

GX100U(QA26)

E-22 CONTROL (1)



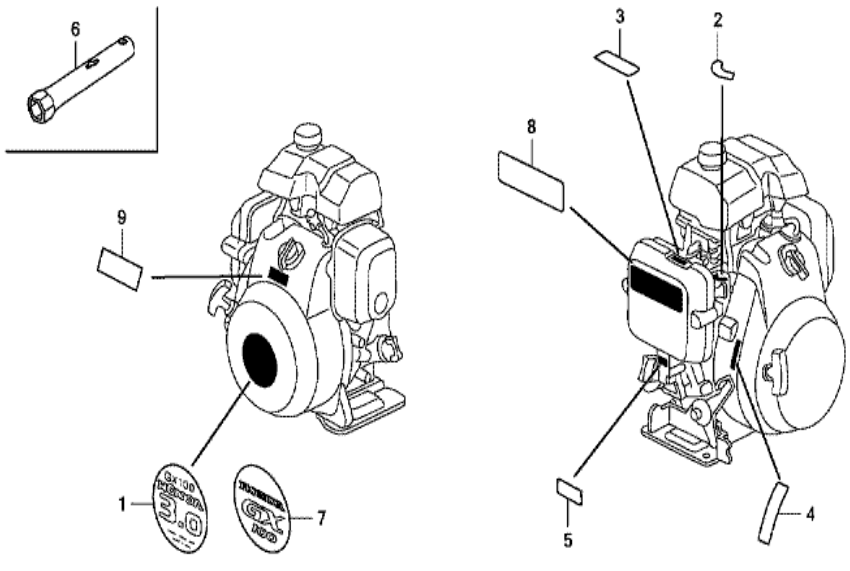
Z4E0-E2200

FR. →

Ref	Partnumber	Description	GX100U	Serial Numbers
002	16551-Z0D-010	ARM, GOVERNOR	1	
003	16555-Z0D-000	ROD, GOVERNOR	1	
004	16561-Z0D-000	SPRING, GOVERNOR	1	
005	16562-Z0D-000	SPRING, THROTTLE RETURN	1	
006	16570-ZG0-W00	CONTROL ASSY. (STD.)	1	
008	16576-891-000	HOLDER, CABLE	1	
009	16584-883-300	SPRING, CONTROL ADJUSTING	1	
010	90014-952-000	BOLT, FLANGE, 6X14 (CT200)	2	
011	90015-ZE5-010	BOLT, GOVERNOR ARM	1	
012	93500-050160A	SCREW, PAN, 5X16	1	
014	93500-050250A	SCREW, PAN, 5X25	1	
015	94050-06000	NUT, FLANGE, 6MM	1	



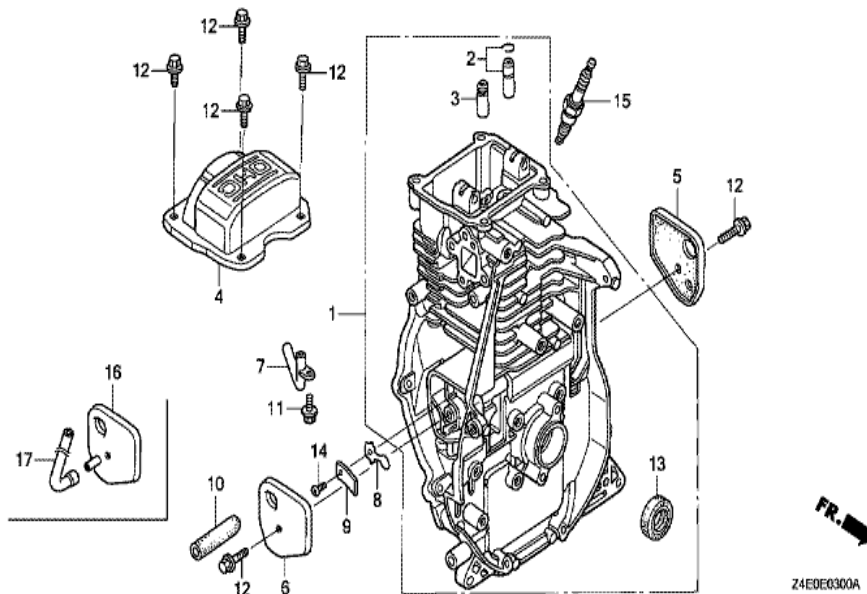
GX100U(QA26)	E-28 LABEL/TOOL
--------------	-----------------



Z4E0E2800C

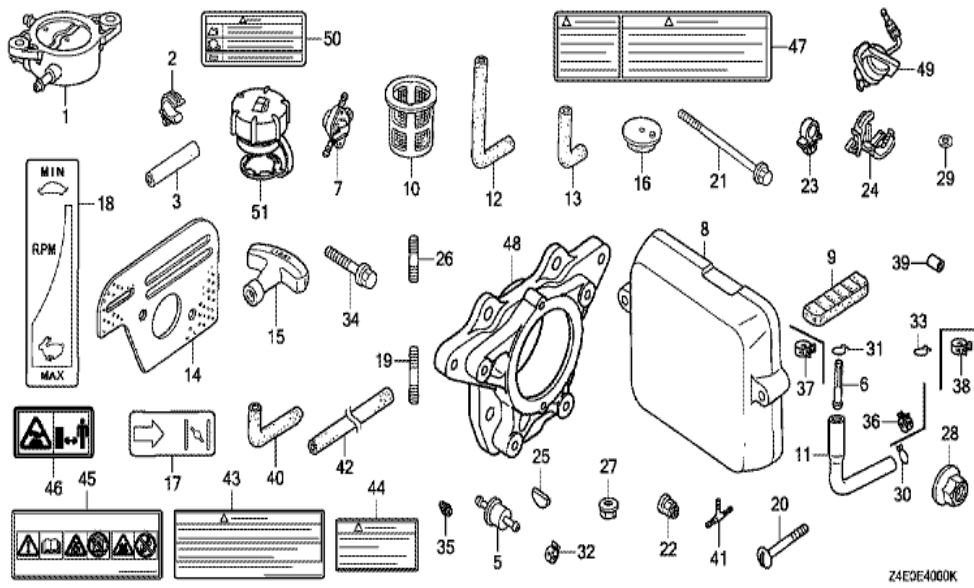
<u>Ref</u>	<u>Partnumber</u>	<u>Description</u>	<u>GX100U</u>	<u>Serial Numbers</u>
001	87521-ZOD-010	EMBLEM (GX100 3.0)	1	1066523
002	87528-ZG0-W40	MARK, COCK (EXTERNAL)	1	
003	87528-ZOD-000	MARK, CHOKE INDICATION	1	
004	87532-Z4E-000	MARK, THROTTLE INDICATION	1	
005	87601-ZOD-840	MARK, TYPE (QA26)	1	
005	87601-ZOD-840	MARK, TYPE (QA26)	1	
007	87521-ZOD-020	EMBLEM (GX100)	1	
007	87521-ZOD-020	EMBLEM (GX100)	1	1066524
008	87516-ZOJ-000	MARK, OPERATOR CAUTION (ENGLISH)	1	
008	87516-ZOJ-000	MARK, OPERATOR CAUTION (ENGLISH)	1	1189916
008	87516-ZOJ-800	MARK, OPERATOR CAUTION (FRENCH)	1	1189916
008	87516-ZOJ-800	MARK, OPERATOR CAUTION (FRENCH)	1	1189916
008	87519-ZOJ-000	MARK, OPERATOR CAUTION	1	1189916
<u>Ref</u>	<u>Partnumber</u>	<u>Description</u>	<u>GX100U</u>	<u>Serial Numbers</u>
008	87519-ZOJ-000	MARK, OPERATOR CAUTION	1	1189916
009	87539-ZOJ-000	MARK, EX. CAUTION (ENGLISH)	1	
009	87539-ZOJ-000	MARK, EX. CAUTION (ENGLISH)	1	1188091
009	87539-ZOJ-800	MARK, EX. CAUTION (PICTOGRAPH)	1	1188091
009	87539-ZOJ-800	MARK, EX. CAUTION (PICTOGRAPH)	1	1188091
009	87539-ZOJ-810	MARK, EX. CAUTION (FRENCH)	1	1188091
009	87539-ZOJ-810	MARK, EX. CAUTION (FRENCH)	1	1188091

GX100U(QA26)	E-3 CYLINDER BARREL
--------------	---------------------



<u>Ref</u>	<u>Partnumber</u>	<u>Description</u>	<u>GX100U</u>	<u>Serial Numbers</u>
001	12000-Z0D-405	BARREL ASSY., CYLINDER	1	
002	12201-Z0D-305	GUIDE ASSY., EX. VALVE (O.S.)	1	
003	12204-Z0D-305	GUIDE, IN. VALVE (O.S.)	1	
004	12311-Z0D-000	COVER, HEAD	1	
005	12355-Z0D-000	COVER COMP. A, BREATHER	1	
006	12365-Z0D-000	COVER COMP. B, BREATHER	1	
008	15571-ZM7-003	VALVE, OIL OUTLET	1	
008	15571-ZM7-003	VALVE, OIL OUTLET	1	
009	15572-ZM7-000	PLATE, STOPPER	1	
010	15721-Z0D-000	TUBE, BREATHER	1	
012	90014-952-000	BOLT, FLANGE, 6X14 (CT200)	6	
013	91202-KJ9-003	OIL SEAL, 20X32X6	1	
014	93500-030050A	SCREW, PAN, 3X5	1	
<u>Ref</u>	<u>Partnumber</u>	<u>Description</u>	<u>GX100U</u>	<u>Serial Numbers</u>
015	98056-55757	PLUG, SPARK (U16FSR-UB)	1	
015	98056-55757	PLUG, SPARK (U16FSR-UB)	1	
015	98056-55777	PLUG, SPARK (CR5HSB)	1	
015	98056-55777	PLUG, SPARK (CR5HSB)	1	

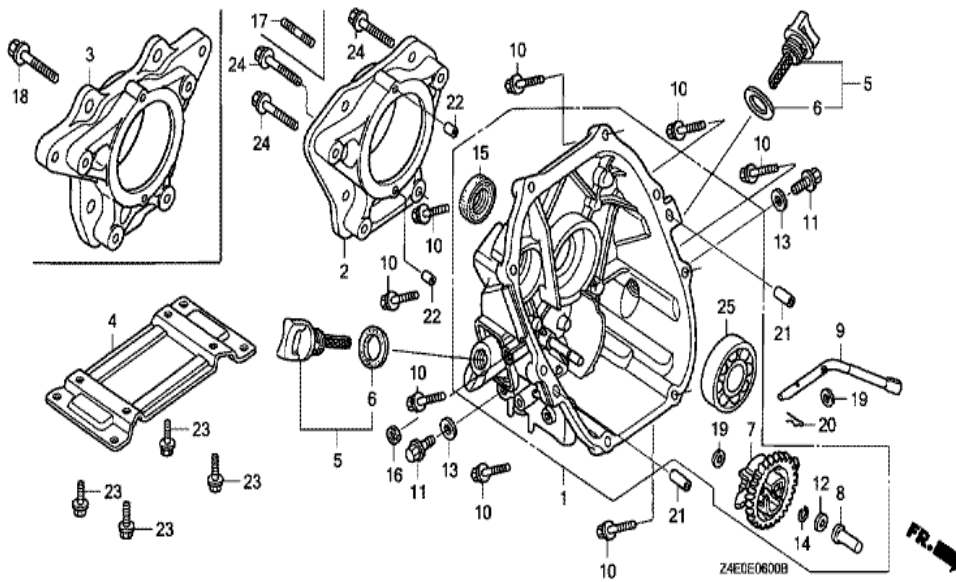
GX100U(QA26)	E-40 OTHER PARTS
--------------	------------------



Ref	Partnumber	Description	GX100U	Serial Numbers
035	99101-Z4E0560	JET (#56)	(1)	

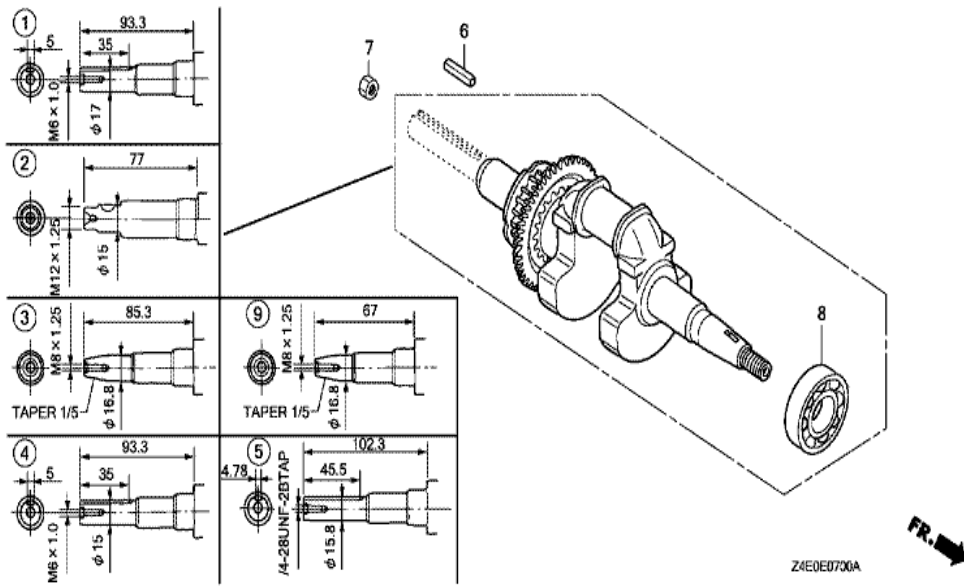
GX100U(QA26)

E-6 CRANKCASE COVER



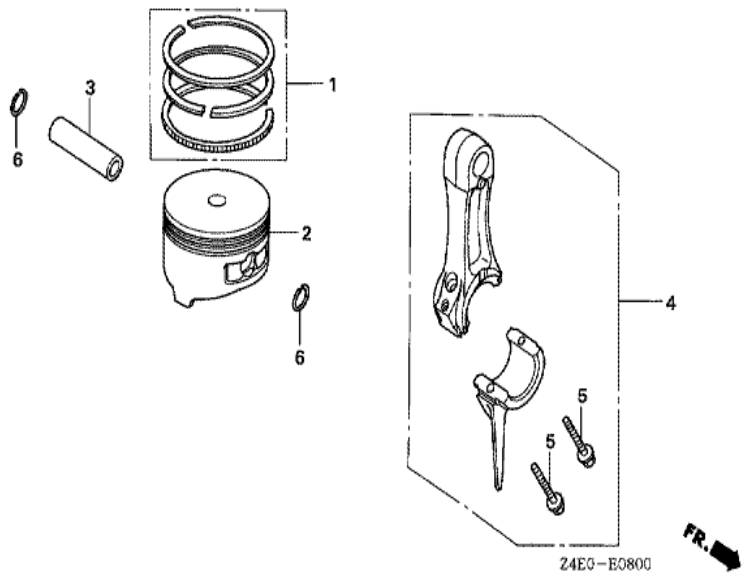
<u>Ref</u>	<u>Partnumber</u>	<u>Description</u>	<u>GX100U</u>	<u>Serial Numbers</u>
001	11300-Z0D-406	COVER ASSY., CRANKCASE	1	
001	11300-Z0D-406	COVER ASSY., CRANKCASE	1	
004	12351-Z0D-000	BED, ENGINE	1	
005	15600-ZM7-003	CAP ASSY., OIL FILLER	1	
005	15600-ZM7-003	CAP ASSY., OIL FILLER	2	
006	15625-ZE1-003	PACKING, OIL FILLER CAP	1	
006	15625-ZE1-003	PACKING, OIL FILLER CAP	2	
007	16510-ZL8-000	GOVERNOR ASSY.	1	
007	16510-ZL8-000	GOVERNOR ASSY.	1	
008	16531-ZE1-000	SLIDER, GOVERNOR	1	
009	16541-Z0D-000	SHAFT, GOVERNOR ARM	1	
010	90121-952-000	BOLT, FLANGE, 6X25 (CT200)	8	
011	90131-ZE1-000	BOLT, DRAIN PLUG	1	
<u>Ref</u>	<u>Partnumber</u>	<u>Description</u>	<u>GX100U</u>	<u>Serial Numbers</u>
011	90131-ZE1-000	BOLT, DRAIN PLUG	2	
012	90451-ZE1-000	WASHER, THRUST, 6MM	1	
013	90601-ZE1-000	WASHER, DRAIN PLUG, 10.2MM	1	
013	90601-ZE1-000	WASHER, DRAIN PLUG, 10.2MM	2	
014	90602-ZE1-000	CLIP, GOVERNOR HOLDER	1	
015	91202-KJ9-003	OIL SEAL, 20X32X6	1	
019	94101-06800	WASHER, PLAIN, 6MM	2	
020	94251-08000	PIN, LOCK, 8MM	1	
021	94301-08200	DOWEL PIN, 8X20	2	
023	95701-0802500	BOLT, FLANGE, 8X25	4	
023	95701-0802500	BOLT, FLANGE, 8X25	4	
025	96100-6204000	BEARING, RADIAL BALL, 6204	1	

GX100U(QA26)	E-7 CRANKSHAFT
--------------	----------------



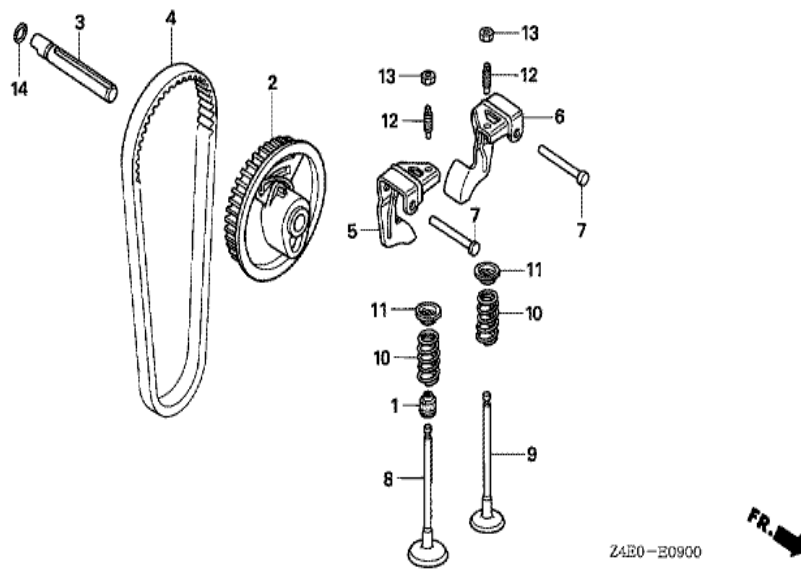
Ref	Partnumber	Description	GX100U	Serial Numbers
005	13310-Z0D-600	CRANKSHAFT COMP.	1	
006	90745-ZE1-600	KEY, 4.78X4.78X38	1	
006	90745-ZE1-600	KEY, 4.78X4.78X38	1	
008	96100-6204000	BEARING, RADIAL BALL, 6204	1	
008	96100-6204000	BEARING, RADIAL BALL, 6204	1	

GX100U(QA26)	E-8 PISTON/CONNECTING ROD
--------------	---------------------------



Ref	Partnumber	Description	GX100U	Serial Numbers
001	13010-ZOD-003	RING SET, PISTON	1	
002	13101-ZOD-000	PISTON	1	
003	13111-ZE0-000	PIN, PISTON	1	
004	13200-ZOD-000	ROD ASSY., CONNECTING	1	
004	13200-ZOD-305	ROD ASSY., CONNECTING (UNDER SIZE)	(1)	
004	13200-ZOD-305	ROD ASSY., CONNECTING (UNDER SIZE)	(1)	
005	90001-ZM7-000	BOLT, CONNECTING ROD	2	
006	90551-ZE0-000	CLIP, PISTON PIN, 13MM	2	

GX100U(QA26)	E-9 CAMSHAFT PULLEY
--------------	---------------------



Z4E0-E0900

<u>Ref</u>	<u>Partnumber</u>	<u>Description</u>	<u>GX100U</u>	<u>Serial Numbers</u>
001	12209-KT7-013	SEAL, VALVE STEM	1	
002	14320-Z0D-010	PULLEY COMP., CAMSHAFT	1	
003	14324-Z0D-000	SHAFT, CAM PULLEY	1	
004	14400-Z0D-003	BELT, TIMING (61YU7 G-200)	1	
005	14431-Z0D-000	ARM, IN. VALVE ROCKER	1	
006	14441-Z0D-000	ARM, EX. VALVE ROCKER	1	
007	14461-ZL8-000	SHAFT, ROCKER ARM	2	
008	14711-Z0D-000	VALVE, IN.	1	
009	14721-Z0D-000	VALVE, EX.	1	
010	14751-Z0D-000	SPRING, VALVE	2	
011	14771-ZM3-010	RETAINER, VALVE SPRING	2	
012	90012-333-000	SCREW, TAPPET ADJUSTING	2	
013	90206-001-000	NUT, TAPPET ADJUSTING	2	
<u>Ref</u>	<u>Partnumber</u>	<u>Description</u>	<u>GX100U</u>	<u>Serial Numbers</u>
014	91301-ZM0-V31	O-RING, 6.8X1.9 (ARAI)	1	