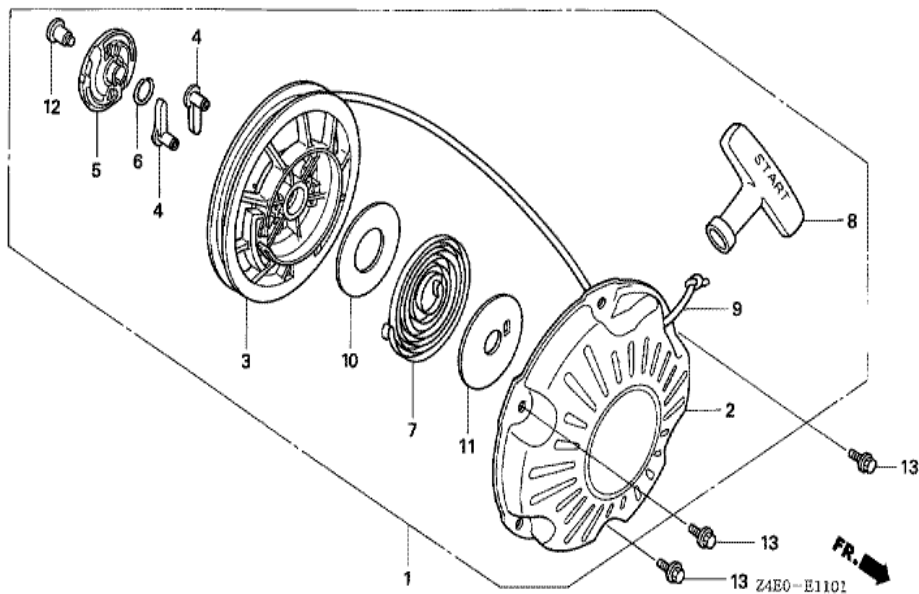
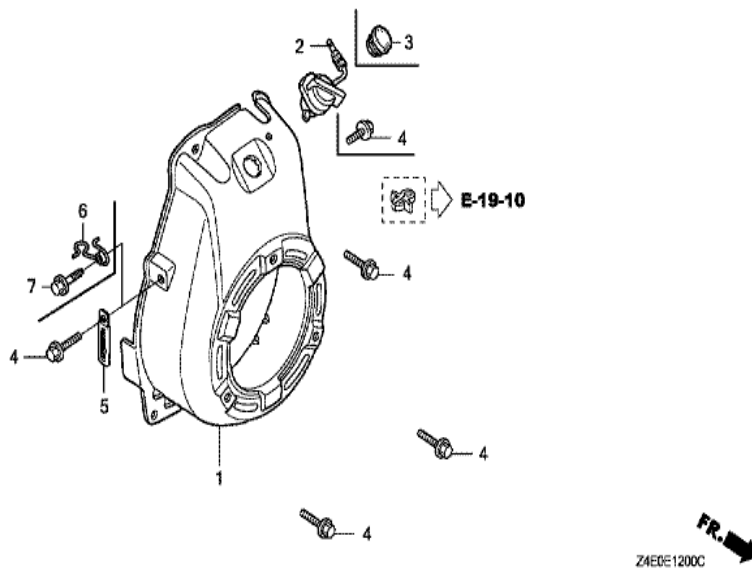


GX100U(KRWF)	E-11-1 RECOIL STARTER (2)
--------------	---------------------------



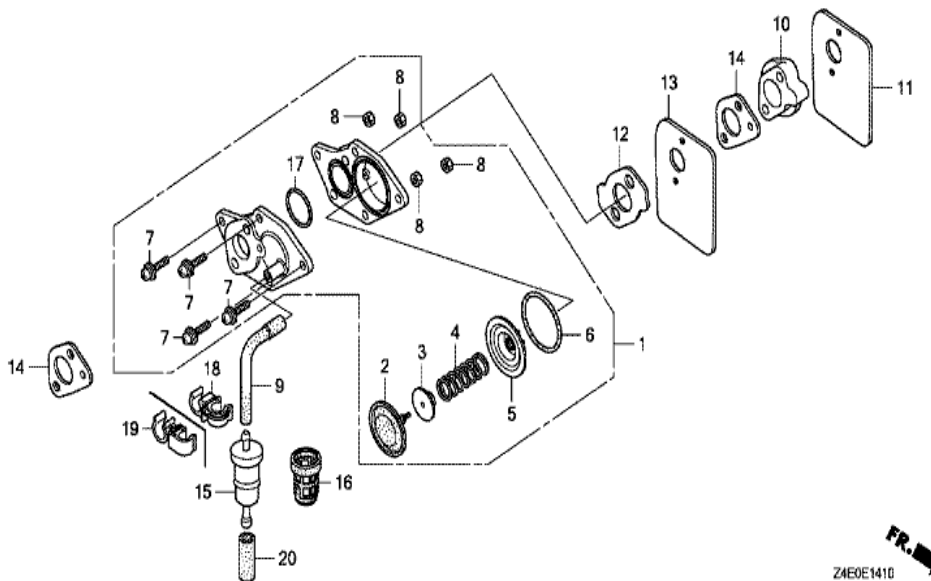
<u>Ref</u>	<u>Partnumber</u>	<u>Description</u>	<u>GX100U</u>	<u>Serial Numbers</u>
001	28400-ZOD-V03ZA	STARTER ASSY., RECOIL *NH1 *	1	1019283 1188240
001	28400-ZOD-V03ZA	STARTER ASSY., RECOIL *NH1 *	1	1188240
001	28400-ZOD-V04ZA	STARTER ASSY., RECOIL *NH1*	1	1188241
001	28400-ZOD-V04ZA	STARTER ASSY., RECOIL *NH1*	1	1188241
002	28410-ZOD-V02ZA	CASE COMP., RECOIL STARTER *NH1*	1	
003	28421-ZOD-V02	REEL, RECOIL STARTER	1	
004	28422-ZG0-W02	RATCHET, STARTER	2	
005	28433-ZG0-W02	GUIDE, RATCHET	1	
006	28441-ZW6-003	SPRING, FRICTION	1	
007	28442-ZH8-003	SPRING, RECOIL STARTER	1	
008	28461-ZH8-003	GRIP, STARTER	1	
008	28461-ZH8-003	GRIP, STARTER	1	1188240
008	28461-ZH8-013	KNOB, RECOIL STARTER	1	1188241
<u>Ref</u>	<u>Partnumber</u>	<u>Description</u>	<u>GX100U</u>	<u>Serial Numbers</u>
008	28461-ZH8-013	KNOB, RECOIL STARTER	1	1188241
009	28462-ZOD-V03	ROPE, RECOIL STARTER	1	
010	28467-ZOD-V02	PLATE, SIDE	1	
011	28468-ZOD-V02	PLATE, SLIDE	1	
012	90003-ZH8-003	SCREW, SETTING	1	
013	95701-0600800	BOLT, FLANGE, 6X8	3	

GX100U(KRWF)	E-12 FAN COVER
--------------	----------------



Ref	Partnumber	Description	GX100U	Serial Numbers
001	19610-Z4E-V60ZA	COVER COMP., FAN *NH1 *	1	
001	19610-Z4E-V60ZA	COVER COMP., FAN *NH1 *	1	
004	90014-952-000	BOLT, FLANGE, 6X14 (CT200)	3	
004	90014-952-000	BOLT, FLANGE, 6X14 (CT200)	3	1184914
004	90014-952-000	BOLT, FLANGE, 6X14 (CT200)	4	1184913
006	16191-Z4E-800	STAY, WIRE	1	
006	16191-Z4E-800	STAY, WIRE	1	1184914
007	90018-ZE1-000	BOLT, FLANGE, 6X23 (CT200)	1	
007	90018-ZE1-000	BOLT, FLANGE, 6X23 (CT200)	1	1184914

GX100U(KRWF)	E-14-10 ACCELERATION PUMP
--------------	---------------------------

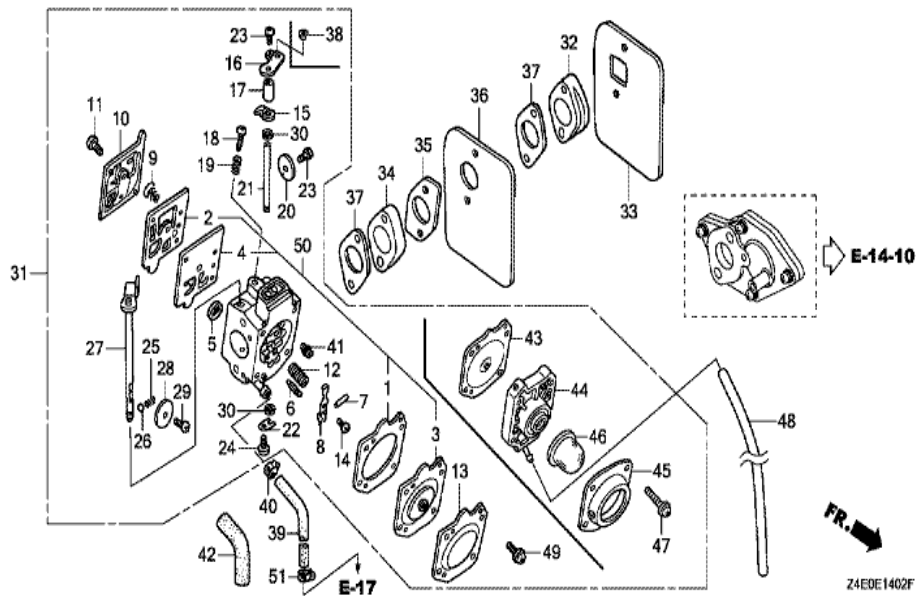


Ref	Partnumber	Description	GX100U	Serial Numbers
001	16160-Z4E-803	PUMP ASSY., ACCELERATION	1	
001	16160-Z4E-803	PUMP ASSY., ACCELERATION	1	1184914
002	16161-Z4E-802	DIAPHRAGM, PUMP	1	
002	16161-Z4E-802	DIAPHRAGM, PUMP	1	1184914
003	16162-Z4E-802	RETAINER, DIAPHRAGM	1	
003	16162-Z4E-802	RETAINER, DIAPHRAGM	1	1184914
004	16163-Z4E-802	SPRING	1	
004	16163-Z4E-802	SPRING	1	1184914
005	16164-Z4E-802	RETAINER, ACCELERATION PUMP	1	
005	16164-Z4E-802	RETAINER, ACCELERATION PUMP	1	1184914
006	16165-Z4E-802	O-RING	1	
006	16165-Z4E-802	O-RING	1	1184914
007	16167-Z4E-802	SCREW ASSY.	4	

<u>Ref</u>	<u>Partnumber</u>	<u>Description</u>	<u>GX100U</u>	<u>Serial Numbers</u>
007	16167-Z4E-802	SCREW ASSY.	4	1184914
008	16168-Z4E-802	NUT	4	
008	16168-Z4E-802	NUT	4	1184914
009	16196-Z4E-800	TUBE, AIR VENT	1	
009	16196-Z4E-800	TUBE, AIR VENT	1	1184914
010	16211-Z0D-V01	INSULATOR, CARBURETOR	1	
010	16211-Z0D-V01	INSULATOR, CARBURETOR	1	1184914
011	16212-Z0D-V00	PACKING, INSULATOR	1	
011	16212-Z0D-V00	PACKING, INSULATOR	1	1184914
012	16214-Z0D-V01	PACKING B, INSULATOR	1	
012	16214-Z0D-V01	PACKING B, INSULATOR	1	1184914
013	16215-Z0D-V00	PLATE, INSULATOR	1	
013	16215-Z0D-V00	PLATE, INSULATOR	1	1184914
014	16221-Z4E-800	PACKING, CARBURETOR	2	
014	16221-Z4E-800	PACKING, CARBURETOR	2	1184914
015	16910-ZG0-U02	STRAINER COMP., FUEL	1	
015	16910-ZG0-U02	STRAINER COMP., FUEL	1	1184914
016	16915-ZV4-000	SUSPENSION, STRAINER	1	
016	16915-ZV4-000	SUSPENSION, STRAINER	1	1184914
017	91301-ZM7-D01	O-RING, 19.5X1.5	1	
017	91301-ZM7-D01	O-RING, 19.5X1.5	1	1184914
018	91405-Z4E-801	CLIP, TUBE	1	
018	91405-Z4E-801	CLIP, TUBE	1	1184914
020	95005-7003530	TUBE, 7X35 (95005-70001-30M)	1	
020	95005-7003530	TUBE, 7X35 (95005-70001-30M)	1	1184914

GX100U(KRWF)

E-14-2 CARBURETOR (RAMMER FLOATLESS)

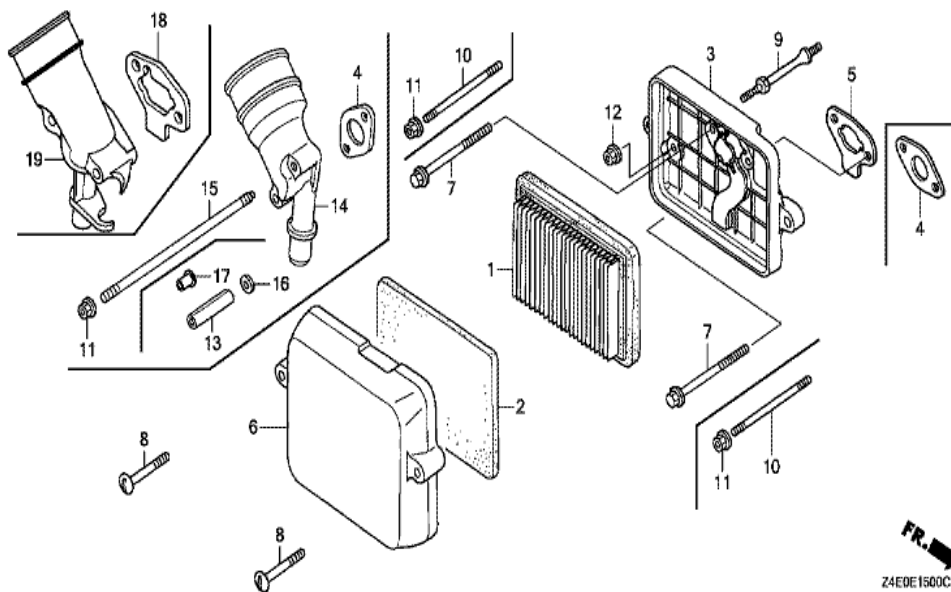


Ref	Partnumber	Description	GX100U	Serial Numbers
001	16010-Z0D-V02	GASKET, METERING DIAPHRAGM	1	
001	16010-Z0D-V02	GASKET, METERING DIAPHRAGM	1	HDA234B
001	16010-Z4E-802	GASKET, METERING DIAPHRAGM	1	HDA 275
001	16010-Z4E-802	GASKET, METERING DIAPHRAGM	1	HDA 275
002	16011-Z0D-V02	GASKET, PUMP	1	
003	16013-Z0D-V02	DIAPHRAGM ASSY., METERING	1	
003	16013-Z0D-V02	DIAPHRAGM ASSY., METERING	1	HDA234B
003	16013-Z4E-802	DIAPHRAGM ASSY., METERING	1	HDA 275
003	16013-Z4E-802	DIAPHRAGM ASSY., METERING	1	HDA 275
004	16014-Z0D-V02	DIAPHRAGM, PUMP	1	
005	16018-ZM3-004	SCREEN, INLET	1	
006	16019-ZM3-004	VALVE, INLET NEEDLE	1	
007	16022-ZM3-014	PIN, METERING LEVER	1	

<u>Ref</u>	<u>Partnumber</u>	<u>Description</u>	<u>GX100U</u>	<u>Serial Numbers</u>
008	16023-Z0D-V02	LEVER, METERING	1	
009	16030-ZM3-004	SPRING, PUMP	1	
010	16040-Z0D-V02	COVER, PUMP	1	
010	16040-Z0D-V02	COVER, PUMP	1	HDA234B
010	16040-Z4E-802	COVER, PUMP	1	HDA206D
010	16040-Z4E-802	COVER, PUMP	1	HDA 275
011	16041-Z0D-V02	SCREW	1	
012	16042-Z0D-V02	SPRING	1	
012	16042-Z0D-V02	SPRING	1	HDA 275
012	16042-Z4E-V92	SPRING	1	HDA234A HDA234B
012	16042-Z4E-V92	SPRING	1	HDA234B
013	16043-Z0D-V02	COVER, METERING DIAPHRAGM	1	
013	16043-Z0D-V02	COVER, METERING DIAPHRAGM	1	HDA234B
013	16043-Z4E-802	COVER, METERING DIAPHRAGM	1	HDA 275
013	16043-Z4E-802	COVER, METERING DIAPHRAGM	1	HDA 275
014	16044-Z0D-V02	SCREW	1	
014	16044-Z0D-V02	SCREW	1	HDA234B
014	16044-Z4E-802	SCREW	1	HDA235B
014	16044-Z4E-802	SCREW	1	HDA 275
015	16045-Z0D-V02	STOPPER, THROTTLE LEVER	1	
016	16046-Z0D-V73	LEVER, THROTTLE	1	
016	16046-Z0D-V73	LEVER, THROTTLE	1	
017	16048-Z0D-V02	SPACER, THROTTLE LEVER	1	
018	16049-Z4E-S12	SCREW, IDLE ADJUSTING	1	HDA234A HDA234B
018	16049-Z4E-S12	SCREW, IDLE ADJUSTING	1	
019	16050-Z0D-V02	SPRING	1	
020	16051-Z0D-V02	VALVE, THROTTLE	1	
021	16052-Z0D-V02	SHAFT, THROTTLE	1	
022	16053-Z0D-V02	CLIP, THROTTLE SHAFT	1	
023	16054-Z0D-V02	SCREW, VALVE	2	
024	16055-Z0D-V02	SCREW ASSY.	1	
025	16056-Z0D-V02	SPRING	1	
026	16057-Z0D-V02	BALL	1	

<u>Ref</u>	<u>Partnumber</u>	<u>Description</u>	<u>GX100U</u>	<u>Serial Numbers</u>	
027	16058-Z0D-V72	SHAFT ASSY., CHOKE	1	HDA234A	HDA234B
027	16058-Z0D-V72	SHAFT ASSY., CHOKE	1		
028	16059-Z0D-V03	VALVE, CHOKE	1		
029	16060-Z0D-V02	SCREW	1		
030	16061-Z0D-V02	SEAL, DUST	2		
031	16100-Z4E-802	CARBURETOR ASSY. (HDA 275)	1	1190131	
031	16100-Z4E-802	CARBURETOR ASSY. (HDA 275)	1	1184914	1197558
031	16100-Z4E-803	CARBURETOR ASSY. (HDA 275A)	1	1197559	
031	16100-Z4E-803	CARBURETOR ASSY. (HDA 275A)	1	1197559	1356294
031	16100-Z4E-804	CARBURETOR ASSY. (HDA 275B)	1	1356295	
031	16100-Z4E-S14	CARBURETOR ASSY. (HDA 234B)	1	1055286	1190130
031	16100-Z4E-S14	CARBURETOR ASSY. (HDA 234B)	1		1143060
031	16100-Z4E-S14	CARBURETOR ASSY. (HDA 234B)	1		1184913
032	16211-Z0D-V00	INSULATOR, CARBURETOR	1		
032	16211-Z0D-V00	INSULATOR, CARBURETOR	1		1184856
032	16211-Z0D-V01	INSULATOR, CARBURETOR	1	1184857	
032	16211-Z0D-V01	INSULATOR, CARBURETOR	1	1184857	1184913
033	16212-Z0D-V00	PACKING, INSULATOR	1		
033	16212-Z0D-V00	PACKING, INSULATOR	1		1184913
034	16213-Z4E-S10	INSULATOR B, CARBURETOR	1	1045305	
034	16213-Z4E-S10	INSULATOR B, CARBURETOR	1		1184913
035	16214-Z0D-V00	PACKING B, INSULATOR	1		
035	16214-Z0D-V00	PACKING B, INSULATOR	1		1184856
035	16214-Z0D-V01	PACKING B, INSULATOR	1	1184857	
035	16214-Z0D-V01	PACKING B, INSULATOR	1	1184857	1184913
036	16215-Z0D-V00	PLATE, INSULATOR	1		
036	16215-Z0D-V00	PLATE, INSULATOR	1		1184913
037	16221-Z0D-V00	PACKING, CARBURETOR	2		
037	16221-Z0D-V00	PACKING, CARBURETOR	2		1184913
038	16552-896-650	COLLAR, LEVER	1		
041	99101-Z0D0520	JET (#52)	(1)	HDA 275	
041	99101-Z0D0520	JET (#52)	(1)	HDA 275	
041	99101-Z0D0540	JET (#54)	1		
<u>Ref</u>	<u>Partnumber</u>	<u>Description</u>	<u>GX100U</u>	<u>Serial Numbers</u>	
041	99101-Z0D0540	JET (#54)	(1)	HDA 275	
041	99101-Z4E0560	JET (#56)	1	HDA 275	
041	99101-Z4E0560	JET (#56)	1	HDA 275	
041	99101-Z4E0580	JET (#58)	(1)	HDA 275	
041	99101-Z4E0580	JET (#58)	(1)	HDA 275	
049	16055-Z0D-V02	SCREW ASSY.	4		
049	16055-Z0D-V02	SCREW ASSY.	4		HDA234B
049	16055-Z4E-802	SCREW ASSY.	4	HDA 275	
049	16055-Z4E-802	SCREW ASSY.	4	HDA 275	
050	06116-Z4E-800	DIAPHRAGM KIT	(1)		

GX100U(KRWF)	E-15 AIR CLEANER
--------------	------------------

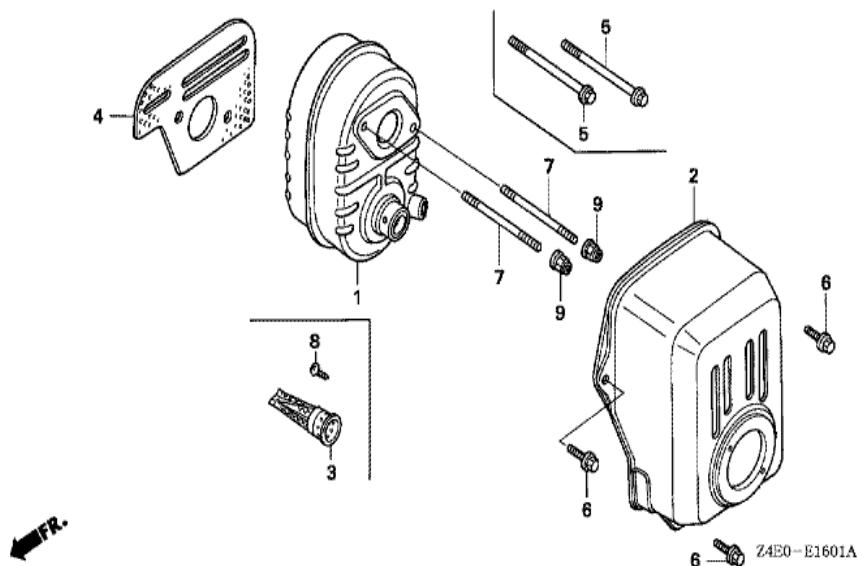


<u>Ref</u>	<u>Partnumber</u>	<u>Description</u>	<u>GX100U</u>	<u>Serial Numbers</u>
001	17211-ZL8-023	ELEMENT, AIR CLEANER (TOYO ROKI)	1	
003	17220-ZOD-V00	CASE COMP., AIR CLEANER	1	
003	17220-ZOD-V00	CASE COMP., AIR CLEANER	1	
004	17228-ZOD-V01	PACKING, AIR CLEANER	1	
006	17231-ZOD-V61	COVER, AIR CLEANER	1	1188360
006	17231-ZOD-V61	COVER, AIR CLEANER	1	1188360
006	17231-ZOD-V62	COVER, AIR CLEANER	1	
006	17231-ZOD-V62	COVER, AIR CLEANER	1	1188361 1260359
006	17231-Z4E-S11	COVER, AIR CLEANER	1	1260360
008	90011-ZOD-000	BOLT, AIR CLEANER COVER	2	
009	90041-ZOD-V00	BOLT, STUD	1	
009	90041-ZOD-V00	BOLT, STUD	1	1184913
009	90041-Z4E-800	BOLT, STUD	1	1190131
<u>Ref</u>	<u>Partnumber</u>	<u>Description</u>	<u>GX100U</u>	<u>Serial Numbers</u>
009	90041-Z4E-800	BOLT, STUD	1	1184914
010	90042-ZOD-V00	BOLT, STUD, 5X85 (CT200)	2	
010	90042-ZOD-V00	BOLT, STUD, 5X85 (CT200)	2	1184913
010	90042-Z4E-800	BOLT, STUD, 5X88 (CT200)	2	1190131
010	90042-Z4E-800	BOLT, STUD, 5X88 (CT200)	2	1184914
011	94050-05000	NUT, FLANGE, 5MM	2	
012	94050-06000	NUT, FLANGE, 6MM	1	



GX100U(KRWF)

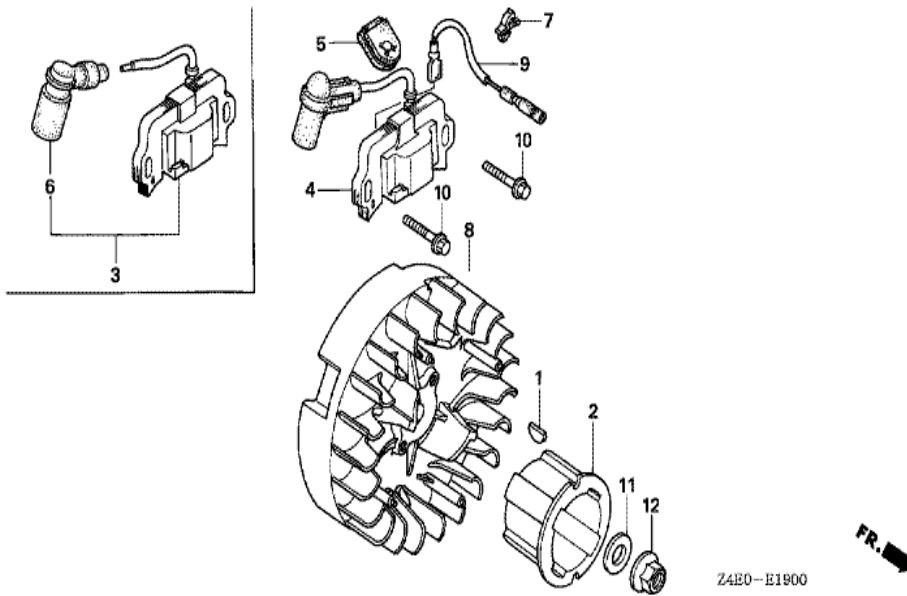
E-16-1 MUFFLER (2)



Ref	Partnumber	Description	GX100U	Serial Numbers	
001	18310-Z0D-V20	MUFFLER COMP.	1		
001	18310-Z0D-V20	MUFFLER COMP.	1		
002	18321-Z0D-V21	PROTECTOR, MUFFLER	1	1038539	1188240
002	18321-Z0D-V21	PROTECTOR, MUFFLER	1		1188240
002	18321-Z0D-V22	PROTECTOR, MUFFLER	1	1188241	
002	18321-Z0D-V22	PROTECTOR, MUFFLER	1	1188241	
003	18350-ZL8-000	ARRESTER COMP., SPARK	(1)		
004	18381-Z0D-000	GASKET, MUFFLER	1		
006	90014-952-000	BOLT, FLANGE, 6X14 (CT200)	3		
007	90048-Z0D-V00	BOLT, STUD, 6X78 (CT200)	2		
007	90048-Z0D-V00	BOLT, STUD, 6X78 (CT200)	2		
008	90055-ZE1-000	SCREW, TAPPING, 4X6	(1)		
009	90343-ZE6-000	NUT, SELF-LOCK, 6MM	2		

GX100U(KRWF)

E-19 FLYWHEEL/IGNITION COIL



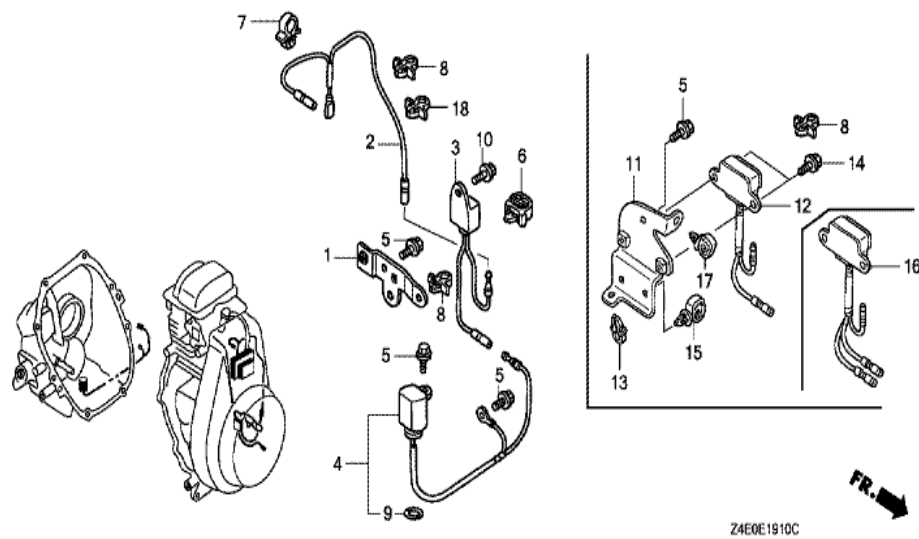
Z4E0-E1900

FR. →

Ref	Partnumber	Description	GX100U	Serial Numbers
001	13331-ZM7-000	KEY, SPECIAL	1	
002	28451-Z0D-V03	PULLEY, STARTER	1	
003	30500-Z0D-V02	COIL ASSY., IGNITION	1	
005	30564-ZA5-000	GROMMET, CORD	1	
006	30700-Z0D-V01	TERMINAL ASSY., HIGH TENSION	1	
008	31110-Z0D-003	FLYWHEEL COMP.	1	
010	90022-888-010	BOLT, FLANGE, 6X20 (CT200)	2	
012	94050-12000	NUT, FLANGE, 12MM	1	

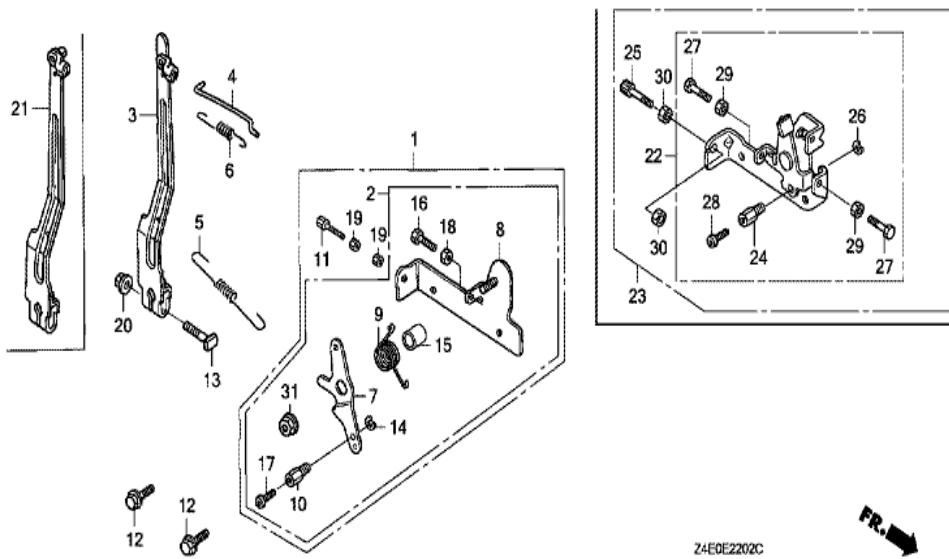
GX100U(KRWF)

E-19-10 OIL ALERT/OIL LEVEL SWITCH



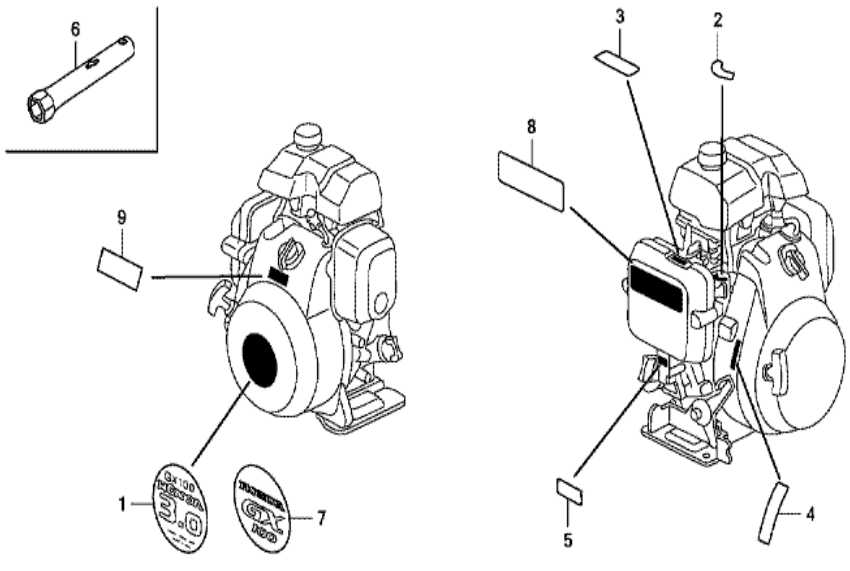
<u>Ref</u>	<u>Partnumber</u>	<u>Description</u>	<u>GX100U</u>	<u>Serial Numbers</u>
002	32195-Z4E-S10	CORD, STOP SWITCH	1	
004	35480-Z4E-S11	SWITCH ASSY., OIL LEVEL	1	
004	35480-Z4E-S11	SWITCH ASSY., OIL LEVEL	1	
005	90014-952-000	BOLT, FLANGE, 6X14 (CT200)	2	
005	90014-952-000	BOLT, FLANGE, 6X14 (CT200)	4	
007	90682-959-661	CLIP B, CABLE (9MM BLACK)	1	
007	90682-959-661	CLIP B, CABLE (9MM BLACK)	1	
008	90681-959-003	CLIP A, CABLE (NIFCO) (3.8MM BLACK)	1	
008	90681-959-003	CLIP A, CABLE (NIFCO) (3.8MM BLACK)	2	
009	91302-ZL8-003	O-RING, 11.8X2.4	1	
011	32112-Z4E-S11	BRACKET, OIL ALERT UNIT	1	
011	32112-Z4E-S11	BRACKET, OIL ALERT UNIT	1	
012	34150-Z4E-S11	ALERT UNIT, OIL (START)	1	
<u>Ref</u>	<u>Partnumber</u>	<u>Description</u>	<u>GX100U</u>	<u>Serial Numbers</u>
012	34150-Z4E-S11	ALERT UNIT, OIL (START)	1	1135085
013	36103-ZE1-000	HOLDER, STOP SWITCH CORD	1	
014	90002-MC7-000	BOLT, FLANGE, 5X8	2	
015	90683-SA0-003	CLIP, WIRE HARNESS, 25MM	1	
015	90683-SA0-003	CLIP, WIRE HARNESS, 25MM	1	
016	34150-Z4E-801	ALERT UNIT, OIL (START LED)	1	1135086
017	90683-SA0-003	CLIP, WIRE HARNESS, 25MM	1	
017	90683-SA0-003	CLIP, WIRE HARNESS, 25MM	1	1135085
017	91540-S30-003	CLIP, HARNESS BAND (NATURAL) (151.5MM)	1	1135086
017	91540-S30-003	CLIP, HARNESS BAND (NATURAL) (151.5MM)	1	1135086

GX100U(KRWF)	E-22-2 CONTROL (3)
--------------	--------------------



<u>Ref</u>	<u>Partnumber</u>	<u>Description</u>	<u>GX100U</u>	<u>Serial Numbers</u>
003	16550-Z0D-V01	ARM COMP., GOVERNOR	1	
004	16555-Z0D-V00	ROD, GOVERNOR	1	
005	16561-Z0D-V00	SPRING, GOVERNOR	1	
006	16562-Z4E-S10	SPRING, THROTTLE RETURN	1	1045305
006	16562-Z4E-S10	SPRING, THROTTLE RETURN	1	
010	16594-883-010	HOLDER, WIRE	1	
012	90014-952-000	BOLT, FLANGE, 6X14 (CT200)	2	
013	90015-ZE5-010	BOLT, GOVERNOR ARM	1	
020	94050-06000	NUT, FLANGE, 6MM	1	
020	94050-06000	NUT, FLANGE, 6MM	1	
023	16500-Z4E-V10	CONTROL ASSY.	1	
024	16594-883-010	HOLDER, WIRE	1	
025	54717-ZG0-S00	BOLT, CABLE ADJUSTING (6X34)	1	
<u>Ref</u>	<u>Partnumber</u>	<u>Description</u>	<u>GX100U</u>	<u>Serial Numbers</u>
026	90605-230-000	CIRCLIP, 5MM	1	
027	92301-050200A	BOLT, RECESSED, 5X20	2	
028	93500-040060H	SCREW, PAN, 4X6	1	
029	94001-05000	NUT, HEX., 5MM	2	
030	94002-060000S	NUT, HEX., 6MM	2	

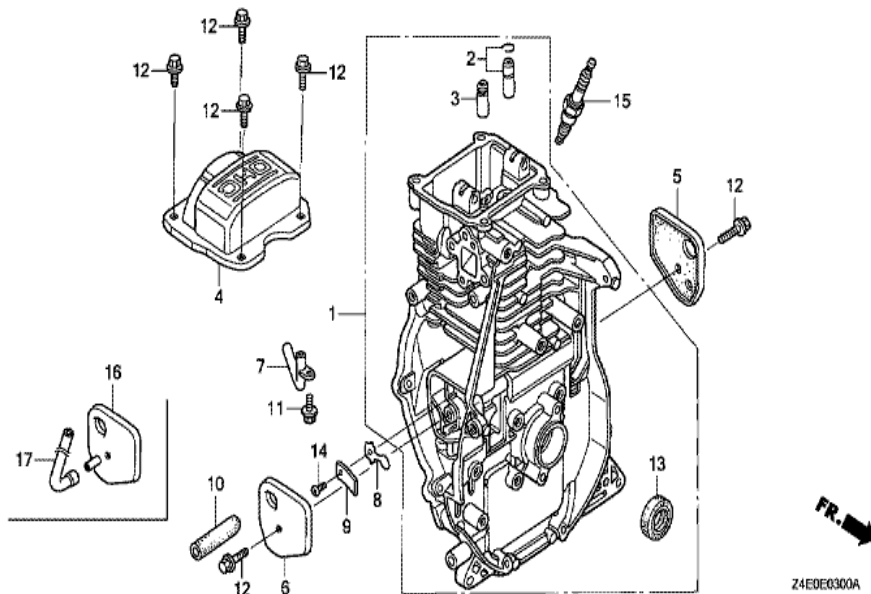
GX100U(KRWF)	E-28 LABEL/TOOL
--------------	-----------------



Z4E0E2800C

<u>Ref</u>	<u>Partnumber</u>	<u>Description</u>	<u>GX100U</u>	<u>Serial Numbers</u>
003	87528-Z0D-000	MARK, CHOKE INDICATION	1	
005	87601-Z4E-S70	MARK, TYPE (KRWF)	1	
005	87601-Z4E-S70	MARK, TYPE (KRWF)	1	
005	87601-Z4E-S70	MARK, TYPE (KRWF)	1	
006	89216-130-690	WRENCH, SPARK PLUG	1	
007	87521-Z0D-V02	EMBLEM (RAMMA) (GX100)	1	1066474
007	87521-Z0D-V02	EMBLEM (RAMMA) (GX100)	1	
008	87516-Z0J-000	MARK, OPERATOR CAUTION (ENGLISH)	1	
008	87516-Z0J-000	MARK, OPERATOR CAUTION (ENGLISH)	1	1189916
008	87516-Z0J-800	MARK, OPERATOR CAUTION (FRENCH)	1	1189916
008	87516-Z0J-800	MARK, OPERATOR CAUTION (FRENCH)	1	1189916
008	87519-Z0J-000	MARK, OPERATOR CAUTION	1	1189916
008	87519-Z0J-000	MARK, OPERATOR CAUTION	1	1189916
<u>Ref</u>	<u>Partnumber</u>	<u>Description</u>	<u>GX100U</u>	<u>Serial Numbers</u>
009	87539-Z0J-000	MARK, EX. CAUTION (ENGLISH)	1	
009	87539-Z0J-000	MARK, EX. CAUTION (ENGLISH)	1	1188091
009	87539-Z0J-810	MARK, EX. CAUTION (FRENCH)	1	1188091
009	87539-Z0J-810	MARK, EX. CAUTION (FRENCH)	1	1188091

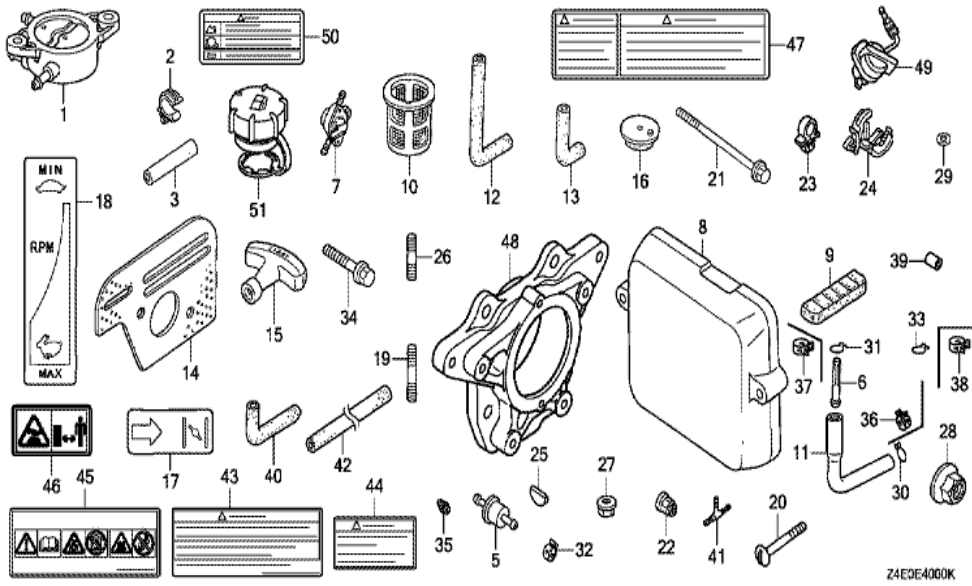
GX100U(KRWF)	E-3 CYLINDER BARREL
--------------	---------------------



<u>Ref</u>	<u>Partnumber</u>	<u>Description</u>	<u>GX100U</u>	<u>Serial Numbers</u>
001	12000-Z0D-405	BARREL ASSY., CYLINDER	1	
002	12201-Z0D-305	GUIDE ASSY., EX. VALVE (O.S.)	1	
003	12204-Z0D-305	GUIDE, IN. VALVE (O.S.)	1	
004	12311-Z0D-000	COVER, HEAD	1	
005	12355-Z0D-000	COVER COMP. A, BREATHER	1	
006	12365-Z0D-000	COVER COMP. B, BREATHER	1	
007	15171-Z0D-V00	PIPE, BREATHER	1	
008	15571-Z0D-V71	VALVE, OIL OUTLET	1	
008	15571-Z0D-V71	VALVE, OIL OUTLET	1	1037365
009	15572-ZM7-000	PLATE, STOPPER	1	
010	15721-Z0D-V00	TUBE, BREATHER	1	1190130
010	15721-Z0D-V00	TUBE, BREATHER	1	1184913
010	15721-Z4E-800	TUBE, BREATHER	1	1190131
<u>Ref</u>	<u>Partnumber</u>	<u>Description</u>	<u>GX100U</u>	<u>Serial Numbers</u>
010	15721-Z4E-800	TUBE, BREATHER	1	1184914
011	90008-ZM7-000	BOLT, 4X10	1	
012	90014-952-000	BOLT, FLANGE, 6X14 (CT200)	6	
013	91202-KJ9-003	OIL SEAL, 20X32X6	1	
014	93500-030050A	SCREW, PAN, 3X5	1	
015	98056-55757	PLUG, SPARK (U16FSR-UB)	1	
015	98056-55757	PLUG, SPARK (U16FSR-UB)	1	
015	98056-55777	PLUG, SPARK (CR5HSB)	1	
015	98056-55777	PLUG, SPARK (CR5HSB)	1	

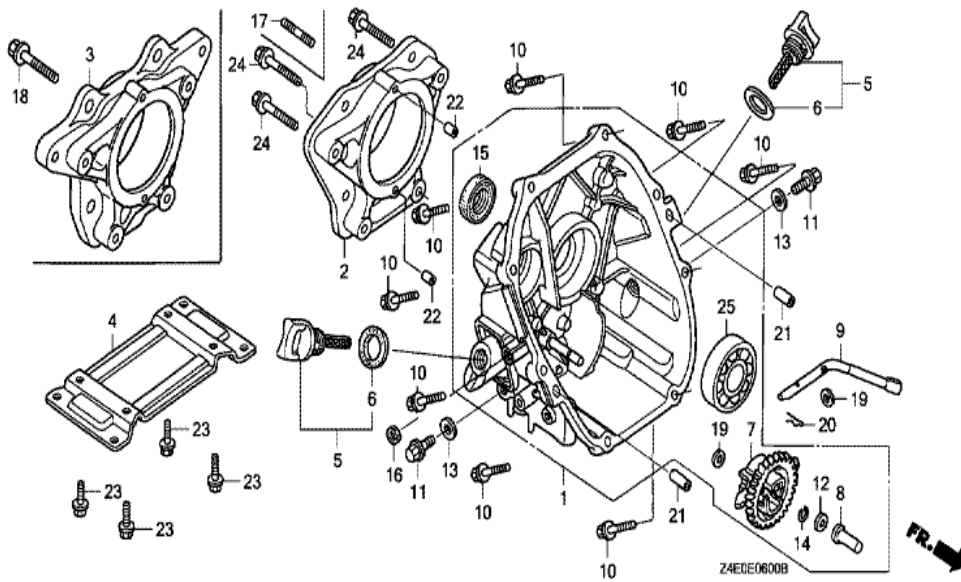
GX100U(KRWF)

E-40 OTHER PARTS



Ref	Partnumber	Description	GX100U	Serial Numbers
039	94303-06100	DOWEL PIN, 6X10	2	

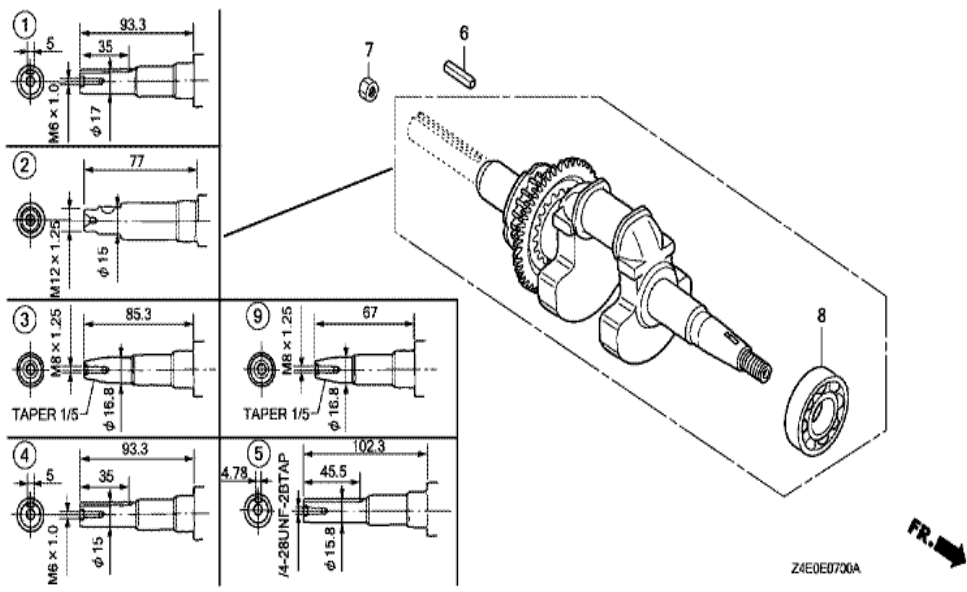
GX100U(KRWF)	E-6 CRANKCASE COVER
--------------	---------------------



<u>Ref</u>	<u>Partnumber</u>	<u>Description</u>	<u>GX100U</u>	<u>Serial Numbers</u>
001	11300-Z4E-305	COVER ASSY., CRANKCASE	1	
001	11300-Z4E-305	COVER ASSY., CRANKCASE	1	
005	15600-ZM3-003	CAP ASSY., OIL FILLER	1	
005	15600-ZM3-003	CAP ASSY., OIL FILLER	1	
006	15625-ZE1-003	PACKING, OIL FILLER CAP	1	
007	16510-ZL8-000	GOVERNOR ASSY.	1	
007	16510-ZL8-000	GOVERNOR ASSY.	1	
008	16531-ZE1-000	SLIDER, GOVERNOR	1	
009	16541-Z0D-000	SHAFT, GOVERNOR ARM	1	
010	90121-952-000	BOLT, FLANGE, 6X25 (CT200)	8	
011	90131-ZE1-000	BOLT, DRAIN PLUG	1	
012	90451-ZE1-000	WASHER, THRUST, 6MM	1	
013	90601-ZE1-000	WASHER, DRAIN PLUG, 10.2MM	1	
<u>Ref</u>	<u>Partnumber</u>	<u>Description</u>	<u>GX100U</u>	<u>Serial Numbers</u>
014	90602-ZE1-000	CLIP, GOVERNOR HOLDER	1	
015	91202-KJ9-003	OIL SEAL, 20X32X6	1	
016	91231-891-003	OIL SEAL, 6X11X4 (ARAI)	1	
019	94101-06800	WASHER, PLAIN, 6MM	2	
020	94251-08000	PIN, LOCK, 8MM	1	
021	94301-08200	DOWEL PIN, 8X20	2	
025	96100-6204000	BEARING, RADIAL BALL, 6204	1	

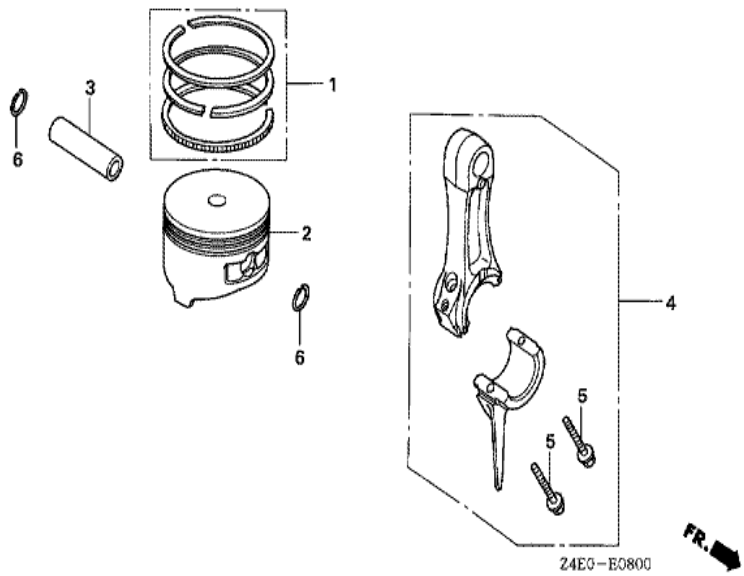


GX100U(KRWF)	E-7 CRANKSHAFT
--------------	----------------



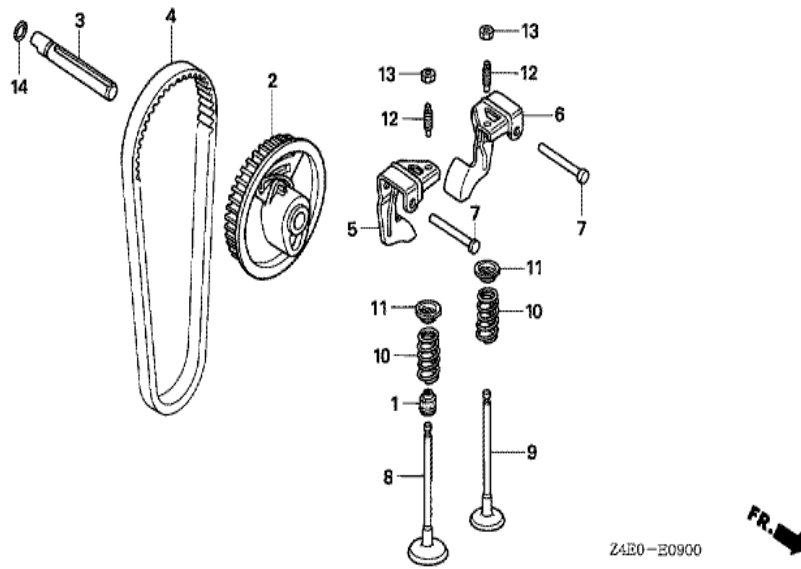
Ref	Partnumber	Description	GX100U	Serial Numbers
008	91001-Z0D-V01	BEARING, RADIAL BALL, 6204C	1	
009	13310-Z0D-V70	CRANKSHAFT COMP.	1	

GX100U(KRWF)	E-8 PISTON/CONNECTING ROD
--------------	---------------------------



Ref	Partnumber	Description	GX100U	Serial Numbers
001	13010-ZOD-003	RING SET, PISTON	1	
002	13101-ZOD-000	PISTON	1	
003	13111-ZE0-000	PIN, PISTON	1	
004	13200-ZOD-000	ROD ASSY., CONNECTING	1	
004	13200-ZOD-305	ROD ASSY., CONNECTING (UNDER SIZE)	(1)	
004	13200-ZOD-305	ROD ASSY., CONNECTING (UNDER SIZE)	(1)	
005	90001-ZM7-000	BOLT, CONNECTING ROD	2	
006	90551-ZE0-000	CLIP, PISTON PIN, 13MM	2	

GX100U(KRWF)	E-9 CAMSHAFT PULLEY
--------------	---------------------



<u>Ref</u>	<u>Partnumber</u>	<u>Description</u>	<u>GX100U</u>	<u>Serial Numbers</u>
001	12209-KT7-013	SEAL, VALVE STEM	1	
002	14320-Z0D-010	PULLEY COMP., CAMSHAFT	1	
003	14324-Z0D-000	SHAFT, CAM PULLEY	1	
004	14400-Z0D-003	BELT, TIMING (61YU7 G-200)	1	
005	14431-Z0D-000	ARM, IN. VALVE ROCKER	1	
006	14441-Z0D-000	ARM, EX. VALVE ROCKER	1	
007	14461-ZL8-000	SHAFT, ROCKER ARM	2	
008	14711-Z0D-000	VALVE, IN.	1	
009	14721-Z0D-000	VALVE, EX.	1	
010	14751-Z0D-000	SPRING, VALVE	2	
011	14771-ZM3-010	RETAINER, VALVE SPRING	2	
012	90012-333-000	SCREW, TAPPET ADJUSTING	2	
013	90206-001-000	NUT, TAPPET ADJUSTING	2	
<u>Ref</u>	<u>Partnumber</u>	<u>Description</u>	<u>GX100U</u>	<u>Serial Numbers</u>
014	91301-ZM0-V31	O-RING, 6.8X1.9 (ARAI)	1	