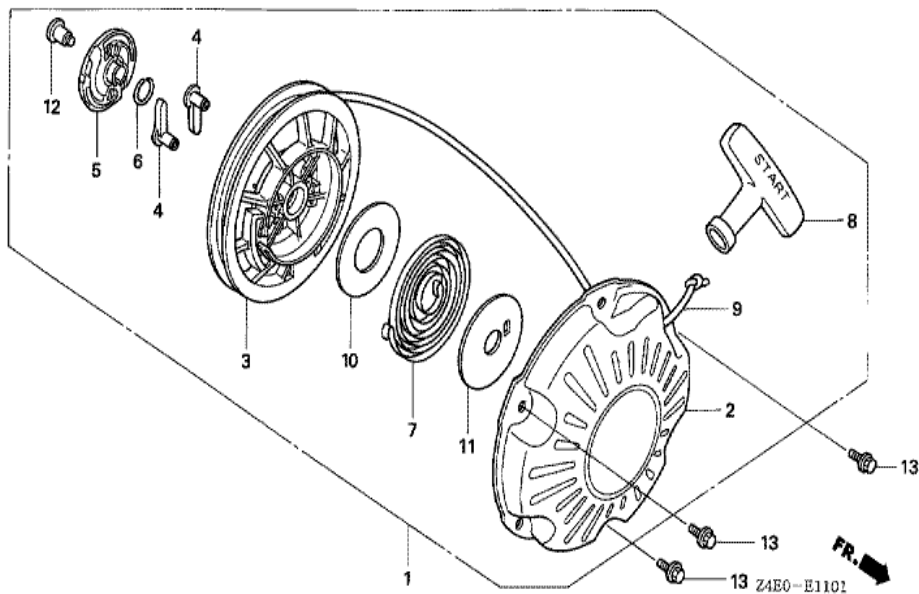


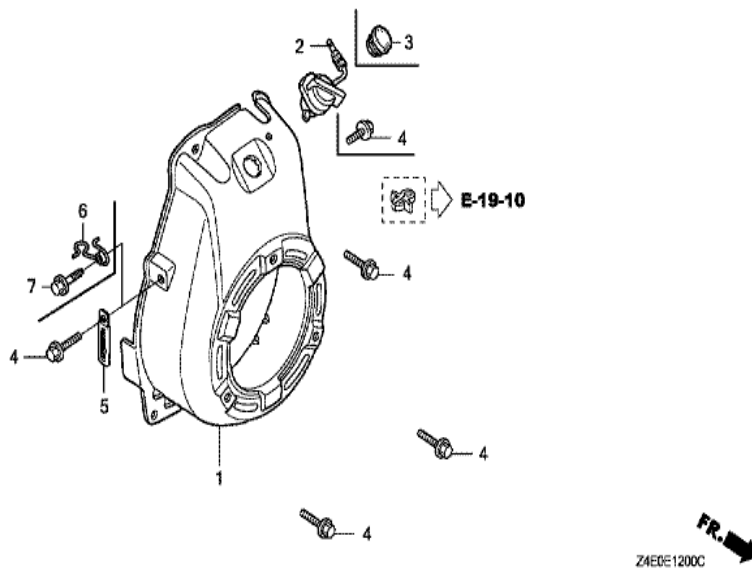
GX100U(KRSB)

E-11-1 RECOIL STARTER (2)



Ref	Partnumber	Description	GX100U	Serial Numbers
001	28400-Z0D-V03ZC	STARTER ASSY., RECOIL *R280 *	1	1153070 1188240
001	28400-Z0D-V03ZC	STARTER ASSY., RECOIL *R280 *	1	1188240
001	28400-Z0D-V04ZA	STARTER ASSY., RECOIL *NH1*	1	1188241
001	28400-Z0D-V04ZA	STARTER ASSY., RECOIL *NH1*	1	
001	28400-Z0D-V04ZC	STARTER ASSY., RECOIL *R280*	1	1188241
001	28400-Z0D-V04ZC	STARTER ASSY., RECOIL *R280*	1	1188241
002	28410-Z0D-V02ZA	CASE COMP., RECOIL STARTER *NH1*	1	
002	28410-Z0D-V02ZC	CASE COMP., RECOIL STARTER *R280 *	1	
002	28410-Z0D-V02ZC	CASE COMP., RECOIL STARTER *R280 *	1	
003	28421-Z0D-V02	REEL, RECOIL STARTER	1	
004	28422-ZG0-W02	RATCHET, STARTER	2	
005	28433-ZG0-W02	GUIDE, RATCHET	1	
006	28441-ZW6-003	SPRING, FRICTION	1	
Ref	Partnumber	Description	GX100U	Serial Numbers
007	28442-ZH8-003	SPRING, RECOIL STARTER	1	
008	28461-ZH8-003	GRIP, STARTER	1	
008	28461-ZH8-003	GRIP, STARTER	1	1188240
008	28461-ZH8-013	KNOB, RECOIL STARTER	1	1188241
008	28461-ZH8-013	KNOB, RECOIL STARTER	1	1188241
009	28462-Z0D-V03	ROPE, RECOIL STARTER	1	
010	28467-Z0D-V02	PLATE, SIDE	1	
011	28468-Z0D-V02	PLATE, SLIDE	1	
012	90003-ZH8-003	SCREW, SETTING	1	
013	95701-0600800	BOLT, FLANGE, 6X8	3	

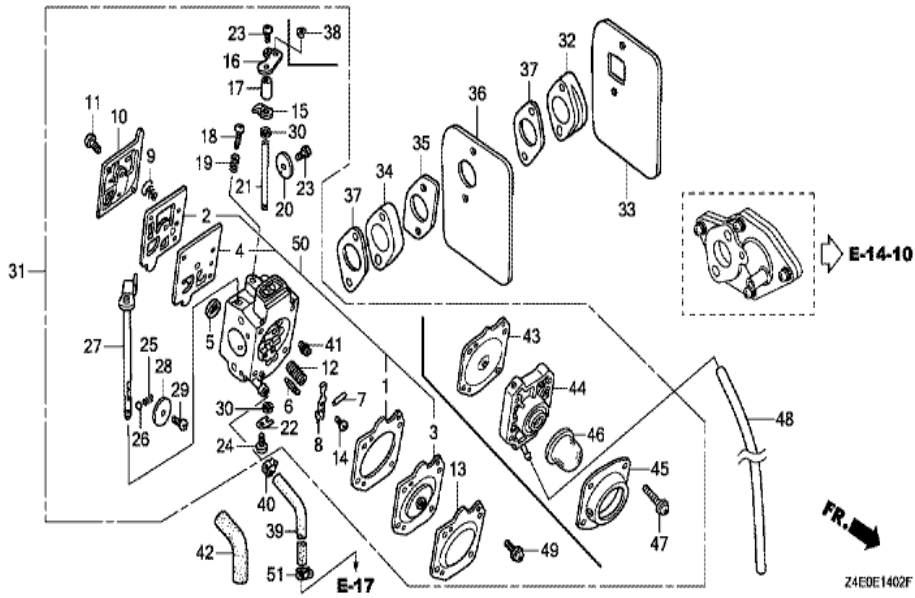
GX100U(KRSB)	E-12 FAN COVER
--------------	----------------



Ref	Partnumber	Description	GX100U	Serial Numbers
001	19610-Z0D-V00ZB	COVER COMP., FAN *NH1 *	1	
001	19610-Z0D-V00ZB	COVER COMP., FAN *NH1 *	1	
001	19610-Z0D-V00ZC	COVER COMP., FAN *R280 *	1	
001	19610-Z0D-V00ZC	COVER COMP., FAN *R280 *	1	
003	81329-567-020	GROMMET, DRAIN HOLE	1	
004	90014-952-000	BOLT, FLANGE, 6X14 (CT200)	3	
004	90014-952-000	BOLT, FLANGE, 6X14 (CT200)	4	

GX100U(KRSB)

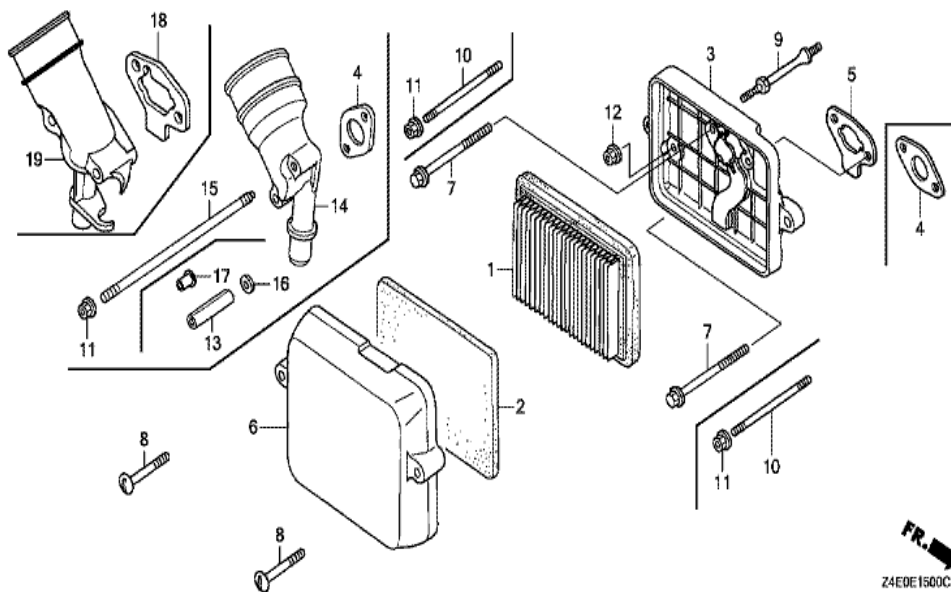
E-14-2 CARBURETOR (RAMMER FLOATLESS)



Ref	Partnumber	Description	GX100U	Serial Numbers
001	16010-Z0D-V02	GASKET, METERING DIAPHRAGM	1	
002	16011-Z0D-V02	GASKET, PUMP	1	
003	16013-Z0D-V02	DIAPHRAGM ASSY., METERING	1	
004	16014-Z0D-V02	DIAPHRAGM, PUMP	1	
005	16018-ZM3-004	SCREEN, INLET	1	
006	16019-ZM3-004	VALVE, INLET NEEDLE	1	
007	16022-ZM3-014	PIN, METERING LEVER	1	
008	16023-Z0D-V02	LEVER, METERING	1	
009	16030-ZM3-004	SPRING, PUMP	1	
010	16040-Z0D-V02	COVER, PUMP	1	
010	16040-Z0D-V02	COVER, PUMP	1	HDA201D
010	16040-Z4E-802	COVER, PUMP	1	HDA206D
010	16040-Z4E-802	COVER, PUMP	1	HDA201E

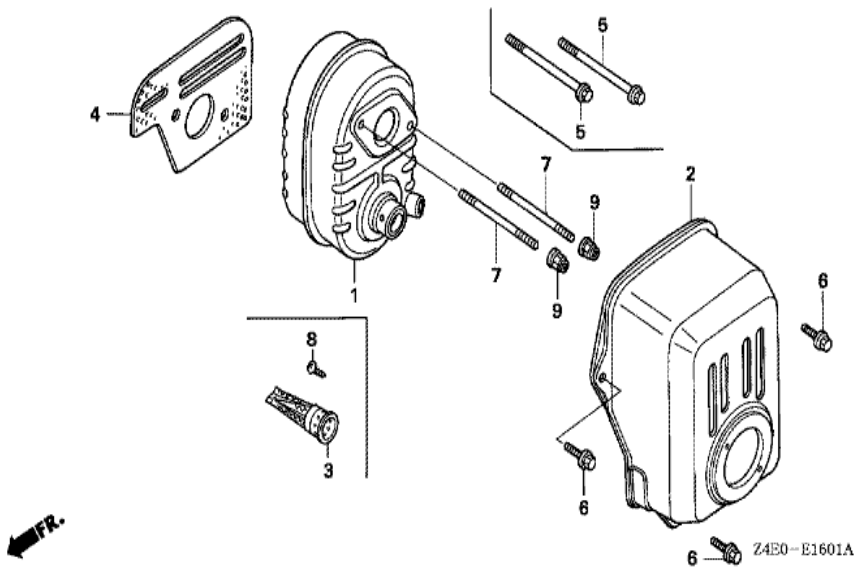
<u>Ref</u>	<u>Partnumber</u>	<u>Description</u>	<u>GX100U</u>	<u>Serial Numbers</u>
011	16041-Z0D-V02	SCREW	1	
012	16042-Z0D-V02	SPRING	1	
013	16043-Z0D-V02	COVER, METERING DIAPHRAGM	1	
014	16044-Z0D-V02	SCREW	1	
014	16044-Z0D-V02	SCREW	1	HDA201D
014	16044-Z4E-802	SCREW	1	HDA235B
014	16044-Z4E-802	SCREW	1	HDA201E
015	16045-Z0D-V02	STOPPER, THROTTLE LEVER	1	
016	16046-Z0D-V03	LEVER, THROTTLE	1	
017	16048-Z0D-V02	SPACER, THROTTLE LEVER	1	
018	16049-Z0D-V02	SCREW, IDLE ADJUSTING	1	
019	16050-Z0D-V02	SPRING	1	
020	16051-Z0D-V02	VALVE, THROTTLE	1	
021	16052-Z0D-V02	SHAFT, THROTTLE	1	
022	16053-Z0D-V02	CLIP, THROTTLE SHAFT	1	
023	16054-Z0D-V02	SCREW, VALVE	2	
024	16055-Z0D-V02	SCREW ASSY.	1	
025	16056-Z0D-V02	SPRING	1	
026	16057-Z0D-V02	BALL	1	
027	16058-Z0D-V02	SHAFT ASSY., CHOKE	1	
028	16059-Z0D-V03	VALVE, CHOKE	1	
029	16060-Z0D-V02	SCREW	1	
030	16061-Z0D-V02	SEAL, DUST	2	
031	16100-Z0D-V05	CARBURETOR ASSY. (HDA 201D)	1	1037364
031	16100-Z0D-V05	CARBURETOR ASSY. (HDA 201D)	1	1195793
031	16100-Z0D-V06	CARBURETOR ASSY. (HDA 201E)	1	1195794 1356729
031	16100-Z0D-V07	CARBURETOR ASSY. (HDA 201F)	1	1356730
032	16211-Z0D-V00	INSULATOR, CARBURETOR	1	
032	16211-Z0D-V00	INSULATOR, CARBURETOR	1	1184856
032	16211-Z0D-V01	INSULATOR, CARBURETOR	1	1184857
032	16211-Z0D-V01	INSULATOR, CARBURETOR	1	1184857
033	16212-Z0D-V00	PACKING, INSULATOR	1	
034	16213-Z0D-V00	INSULATOR B, CARBURETOR	1	
<u>Ref</u>	<u>Partnumber</u>	<u>Description</u>	<u>GX100U</u>	<u>Serial Numbers</u>
035	16214-Z0D-V00	PACKING B, INSULATOR	1	
035	16214-Z0D-V00	PACKING B, INSULATOR	1	1184856
035	16214-Z0D-V01	PACKING B, INSULATOR	1	1184857
035	16214-Z0D-V01	PACKING B, INSULATOR	1	1184857
036	16215-Z0D-V00	PLATE, INSULATOR	1	
037	16221-Z0D-V00	PACKING, CARBURETOR	2	
039	91434-Z4E-831	HOSE, FUEL, 4.5X100 (FKM)	1	1264109
039	95001-4510050	HOSE, FUEL, 4.5X100 (95001-45001-50M)	1	
039	95001-4510050	HOSE, FUEL, 4.5X100 (95001-45001-50M)	1	
039	95001-4510050	HOSE, FUEL, 4.5X100 (95001-45001-50M)	1	1264108
040	95002-4085008	CLAMP, TUBE (D8.5)	1	
041	99101-Z0D0500	JET (#50)	(1)	HDA206C
041	99101-Z0D0500	JET (#50)	(1)	
041	99101-Z0D0520	JET (#52)	(1)	HDA 275
041	99101-Z0D0520	JET (#52)	(1)	
041	99101-Z0D0540	JET (#54)	1	
041	99101-Z0D0540	JET (#54)	1	
049	16055-Z0D-V02	SCREW ASSY.	4	
051	95002-4085008	CLAMP, TUBE (D8.5)	1	

GX100U(KRSB)	E-15 AIR CLEANER
--------------	------------------



Ref	Partnumber	Description	GX100U	Serial Numbers
001	17211-ZL8-023	ELEMENT, AIR CLEANER (TOYO ROKI)	1	
003	17220-ZOD-V00	CASE COMP., AIR CLEANER	1	
003	17220-ZOD-V00	CASE COMP., AIR CLEANER	1	
004	17228-ZOD-V01	PACKING, AIR CLEANER	1	
006	17231-ZOD-V61	COVER, AIR CLEANER	1	1188360
006	17231-ZOD-V61	COVER, AIR CLEANER	1	1188360
006	17231-ZOD-V62	COVER, AIR CLEANER	1	
006	17231-ZOD-V62	COVER, AIR CLEANER	1	1188361
008	90011-ZOD-000	BOLT, AIR CLEANER COVER	2	
009	90041-ZOD-V00	BOLT, STUD	1	
010	90042-ZOD-V00	BOLT, STUD, 5X85 (CT200)	2	
011	94050-05000	NUT, FLANGE, 5MM	2	
012	94050-06000	NUT, FLANGE, 6MM	1	

GX100U(KRSB)	E-16-1 MUFFLER (2)
--------------	--------------------



Ref	Partnumber	Description	GX100U	Serial Numbers
001	18310-Z0D-V00	MUFFLER COMP.	1	
002	18321-Z0D-V01	PROTECTOR, MUFFLER	1	1190130
002	18321-Z0D-V02	PROTECTOR, MUFFLER	1	1190131
002	18321-Z0D-V02	PROTECTOR, MUFFLER	1	1190131
003	18350-ZL8-000	ARRESTER COMP., SPARK	(1)	
004	18381-Z0D-000	GASKET, MUFFLER	1	
006	90014-952-000	BOLT, FLANGE, 6X14 (CT200)	3	
007	90048-Z0D-V00	BOLT, STUD, 6X78 (CT200)	2	
007	90048-Z0D-V00	BOLT, STUD, 6X78 (CT200)	2	
008	90055-ZE1-000	SCREW, TAPPING, 4X6	(1)	
009	90343-ZE6-000	NUT, SELF-LOCK, 6MM	2	

GX100U(KRSB)

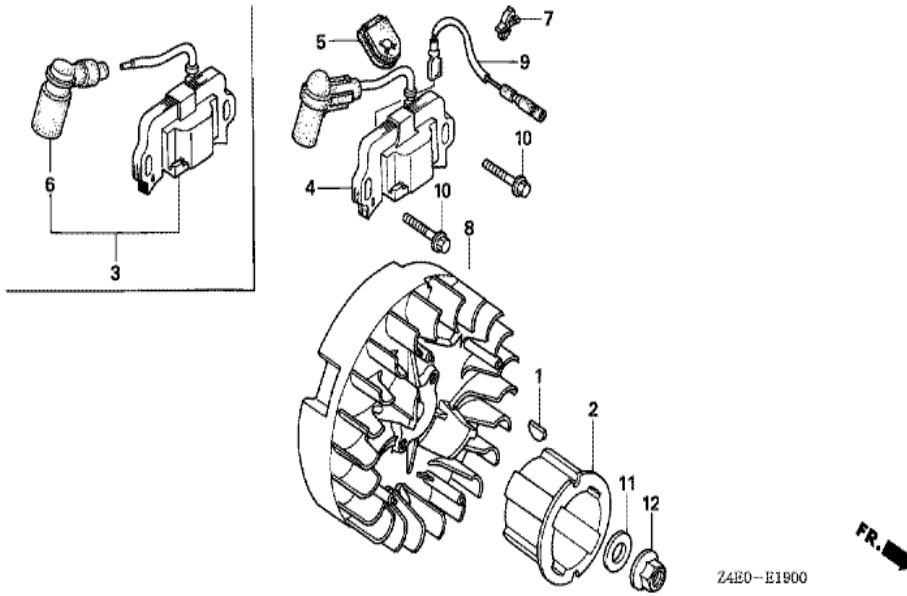
E-17 FUEL TANK



<u>Ref</u>	<u>Partnumber</u>	<u>Description</u>	<u>GX100U</u>	<u>Serial Numbers</u>
001	16910-Z4E-S21	STRAINER COMP., FUEL	1	1099966
001	16910-Z4E-S21	STRAINER COMP., FUEL	1	1099966
001	16910-ZE8-015	STRAINER COMP., FUEL	1	1099965
001	16910-ZE8-015	STRAINER COMP., FUEL	1	1099965

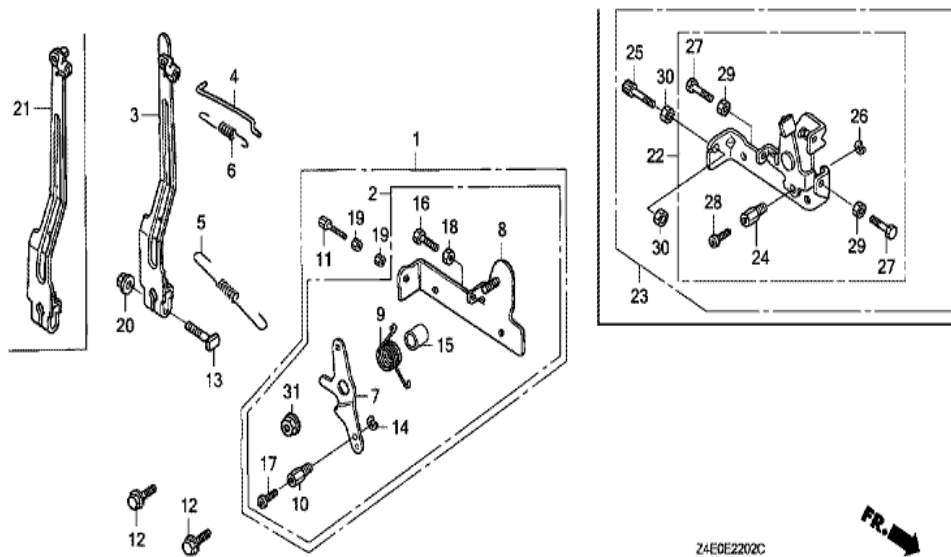
GX100U(KRSB)

E-19 FLYWHEEL/IGNITION COIL



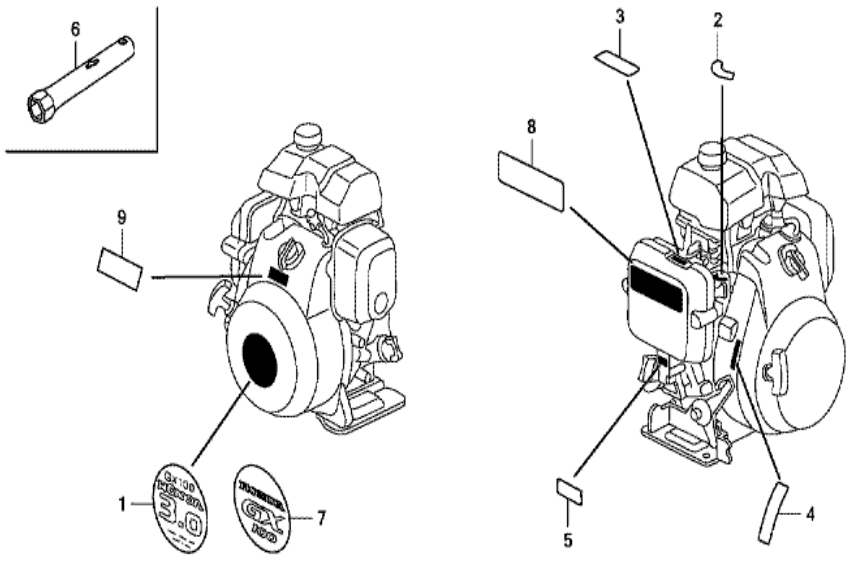
Ref	Partnumber	Description	GX100U	Serial Numbers
001	13331-ZM7-000	KEY, SPECIAL	1	
002	28451-Z0D-V03	PULLEY, STARTER	1	
003	30500-Z0D-V02	COIL ASSY., IGNITION	1	
005	30564-ZA5-000	GROMMET, CORD	1	
006	30700-Z0D-V01	TERMINAL ASSY., HIGH TENSION	1	
007	30701-883-000	CLIP, HIGH TENSION CORD (8MM)	1	
008	31110-Z0D-003	FLYWHEEL COMP.	1	
009	32195-Z0D-000	CORD, STOP SWITCH	1	
010	90022-888-010	BOLT, FLANGE, 6X20 (CT200)	2	
012	94050-12000	NUT, FLANGE, 12MM	1	

GX100U(KRSB)	E-22-2 CONTROL (3)
--------------	--------------------



Ref	Partnumber	Description	GX100U	Serial Numbers
001	16500-ZG0-U01	CONTROL ASSY. (REMOTE)	1	
003	16550-Z0D-V01	ARM COMP., GOVERNOR	1	
004	16555-Z0D-V00	ROD, GOVERNOR	1	
005	16561-Z0D-V00	SPRING, GOVERNOR	1	
006	16562-Z0D-V00	SPRING, THROTTLE RETURN	1	
007	16571-ZG0-810	LEVER, CONTROL (REMOTE)	1	
008	16572-ZG0-810	BASE COMP., CONTROL (REMOTE)	1	
009	16592-896-610	SPRING, RETURN	1	1045304
009	16592-896-610	SPRING, RETURN	1	
010	16594-883-010	HOLDER, WIRE	1	
011	54717-ZG0-S00	BOLT, CABLE ADJUSTING (6X34)	1	
012	90014-952-000	BOLT, FLANGE, 6X14 (CT200)	2	
013	90015-ZE5-010	BOLT, GOVERNOR ARM	1	
Ref	Partnumber	Description	GX100U	Serial Numbers
014	90605-230-000	CIRCLIP, 5MM	1	
015	91552-ZG0-810	COLLAR, CONTROL LEVER	1	
016	92301-050200A	BOLT, RECESSED, 5X20	1	
017	93500-040060H	SCREW, PAN, 4X6	1	
018	94001-05000	NUT, HEX., 5MM	1	
019	94002-060000S	NUT, HEX., 6MM	2	
020	94050-06000	NUT, FLANGE, 6MM	1	
020	94050-06000	NUT, FLANGE, 6MM	1	
031	94050-06000	NUT, FLANGE, 6MM	1	

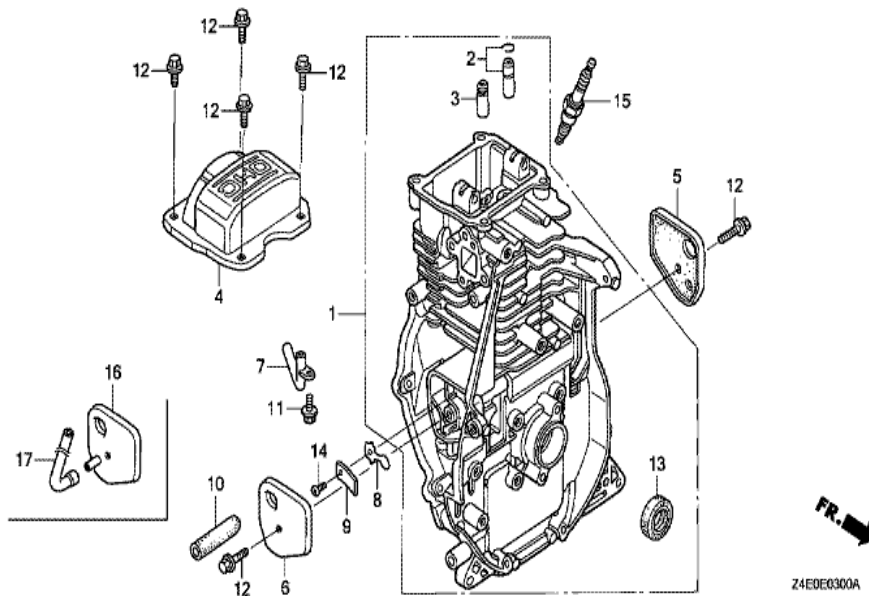
GX100U(KRSB)	E-28 LABEL/TOOL
--------------	-----------------



Z4E0E2800C

<u>Ref</u>	<u>Partnumber</u>	<u>Description</u>	<u>GX100U</u>	<u>Serial Numbers</u>
003	87528-Z0D-000	MARK, CHOKE INDICATION	1	
005	87601-Z4E-S50	MARK, TYPE (KRSB)	1	
005	87601-Z4E-S50	MARK, TYPE (KRSB)	1	
005	87601-Z4E-S50	MARK, TYPE (KRSB)	1	
006	89216-130-690	WRENCH, SPARK PLUG	1	
007	87521-Z0D-V02	EMBLEM (RAMMA) (GX100)	1	1066474
007	87521-Z0D-V02	EMBLEM (RAMMA) (GX100)	1	
008	87516-Z0J-000	MARK, OPERATOR CAUTION (ENGLISH)	1	
008	87516-Z0J-000	MARK, OPERATOR CAUTION (ENGLISH)	1	1189916
008	87516-Z0J-800	MARK, OPERATOR CAUTION (FRENCH)	1	1189916
008	87516-Z0J-800	MARK, OPERATOR CAUTION (FRENCH)	1	1189916
008	87519-Z0J-000	MARK, OPERATOR CAUTION	1	1189916
008	87519-Z0J-000	MARK, OPERATOR CAUTION	1	1189916
<u>Ref</u>	<u>Partnumber</u>	<u>Description</u>	<u>GX100U</u>	<u>Serial Numbers</u>
009	87539-Z0J-000	MARK, EX. CAUTION (ENGLISH)	1	
009	87539-Z0J-000	MARK, EX. CAUTION (ENGLISH)	1	1188091
009	87539-Z0J-800	MARK, EX. CAUTION (PICTOGRAPH)	1	1188091
009	87539-Z0J-800	MARK, EX. CAUTION (PICTOGRAPH)	1	1188091
009	87539-Z0J-810	MARK, EX. CAUTION (FRENCH)	1	1188091
009	87539-Z0J-810	MARK, EX. CAUTION (FRENCH)	1	1188091

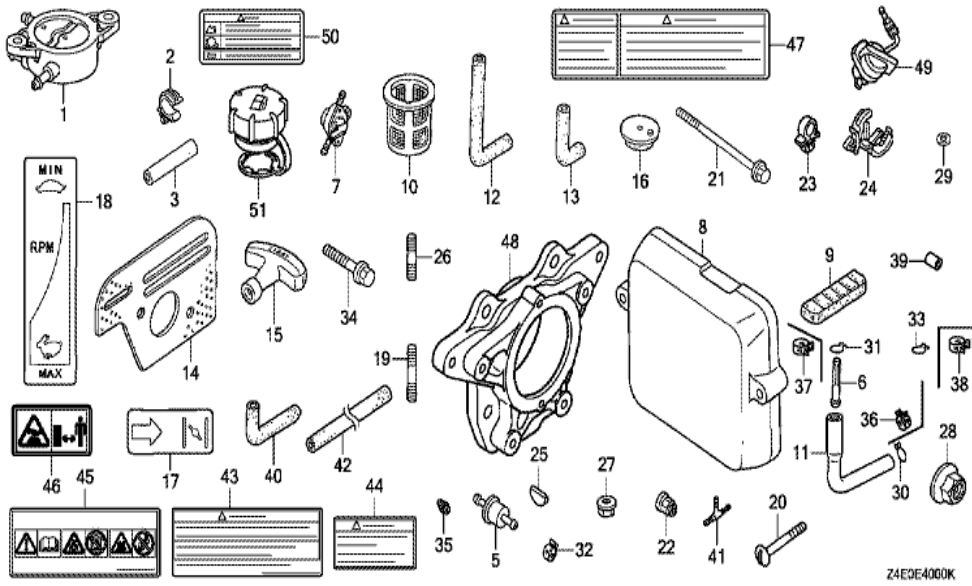
GX100U(KRSB)	E-3 CYLINDER BARREL
--------------	---------------------



<u>Ref</u>	<u>Partnumber</u>	<u>Description</u>	<u>GX100U</u>	<u>Serial Numbers</u>
001	12000-Z0D-405	BARREL ASSY., CYLINDER	1	
002	12201-Z0D-305	GUIDE ASSY., EX. VALVE (O.S.)	1	
003	12204-Z0D-305	GUIDE, IN. VALVE (O.S.)	1	
004	12311-Z0D-000	COVER, HEAD	1	
005	12355-Z0D-000	COVER COMP. A, BREATHER	1	
006	12365-Z0D-000	COVER COMP. B, BREATHER	1	
007	15171-Z0D-V00	PIPE, BREATHER	1	
008	15571-ZM7-003	VALVE, OIL OUTLET	1	
008	15571-ZM7-003	VALVE, OIL OUTLET	1	
009	15572-ZM7-000	PLATE, STOPPER	1	
010	15721-Z0D-V00	TUBE, BREATHER	1	1190130
010	15721-Z0D-V00	TUBE, BREATHER	1	
011	90008-ZM7-000	BOLT, 4X10	1	
<u>Ref</u>	<u>Partnumber</u>	<u>Description</u>	<u>GX100U</u>	<u>Serial Numbers</u>
012	90014-952-000	BOLT, FLANGE, 6X14 (CT200)	6	
013	91202-KJ9-003	OIL SEAL, 20X32X6	1	
014	93500-030050A	SCREW, PAN, 3X5	1	
015	98056-55757	PLUG, SPARK (U16FSR-UB)	1	
015	98056-55757	PLUG, SPARK (U16FSR-UB)	1	
015	98056-55777	PLUG, SPARK (CR5HSB)	1	
015	98056-55777	PLUG, SPARK (CR5HSB)	1	

GX100U(KRSB)

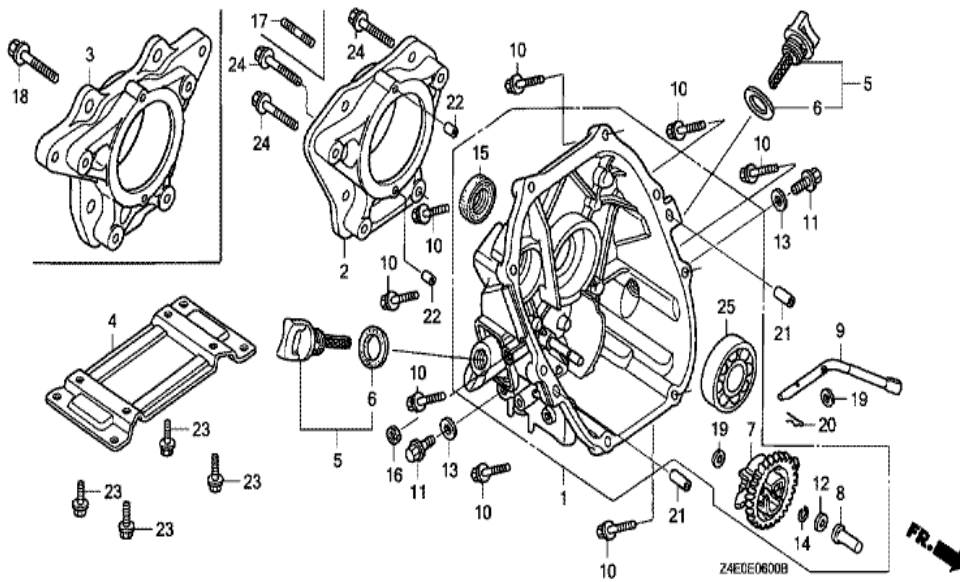
E-40 OTHER PARTS



Ref	Partnumber	Description	GX100U	Serial Numbers
008	17231-Z0D-V61	COVER, AIR CLEANER	1	1188360
008	17231-Z0D-V62	COVER, AIR CLEANER	1	1188361
020	90011-Z0D-000	BOLT, AIR CLEANER COVER	2	
025	90741-Z0D-V50	KEY, WOODRUFF, 13X12	1	
028	94050-12000	NUT, FLANGE, 12MM	1	
032	95002-4085008	CLAMP, TUBE (D8.5)	1	
035	99101-Z4E0560	JET (#56)	(1)	

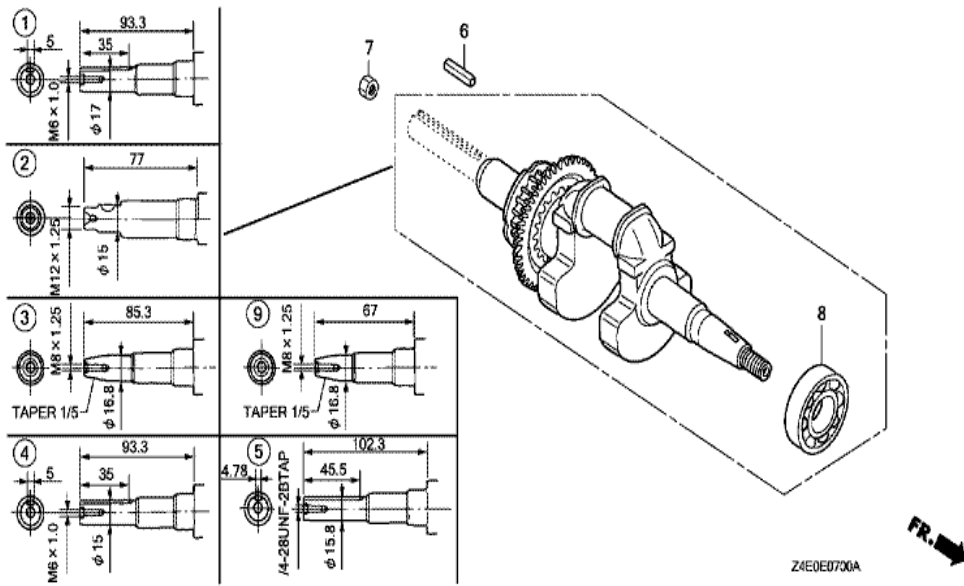
GX100U(KRSB)

E-6 CRANKCASE COVER



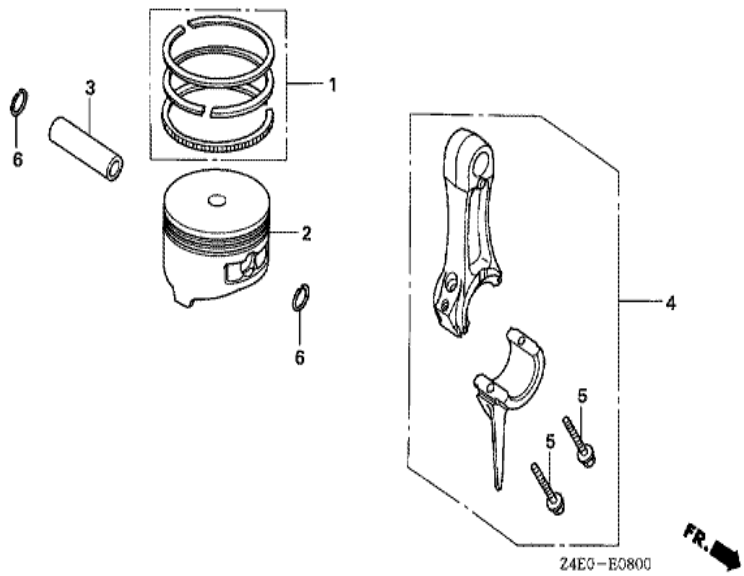
Ref	Partnumber	Description	GX100U	Serial Numbers
001	11300-Z0D-409	COVER ASSY., CRANKCASE	1	
001	11300-Z0D-409	COVER ASSY., CRANKCASE	1	
002	11511-Z0D-V00	FLANGE, P.T.O.	1	
005	15600-ZM7-003	CAP ASSY., OIL FILLER	1	
005	15600-ZM7-003	CAP ASSY., OIL FILLER	1	
006	15625-ZE1-003	PACKING, OIL FILLER CAP	1	
007	16510-ZL8-000	GOVERNOR ASSY.	1	
007	16510-ZL8-000	GOVERNOR ASSY.	1	
008	16531-ZE1-000	SLIDER, GOVERNOR	1	
009	16541-Z0D-000	SHAFT, GOVERNOR ARM	1	
010	90121-952-000	BOLT, FLANGE, 6X25 (CT200)	8	
011	90131-ZE1-000	BOLT, DRAIN PLUG	1	
012	90451-ZE1-000	WASHER, THRUST, 6MM	1	
Ref	Partnumber	Description	GX100U	Serial Numbers
013	90601-ZE1-000	WASHER, DRAIN PLUG, 10.2MM	1	
014	90602-ZE1-000	CLIP, GOVERNOR HOLDER	1	
015	91202-KJ9-003	OIL SEAL, 20X32X6	1	
016	91231-891-003	OIL SEAL, 6X11X4 (ARAI)	1	
019	94101-06800	WASHER, PLAIN, 6MM	2	
020	94251-08000	PIN, LOCK, 8MM	1	
021	94301-08200	DOWEL PIN, 8X20	2	
022	94303-06100	DOWEL PIN, 6X10	2	
024	95701-0804000	BOLT, FLANGE, 8X40	4	
025	96100-6204000	BEARING, RADIAL BALL, 6204	1	

GX100U(KRSB)	E-7 CRANKSHAFT
--------------	----------------



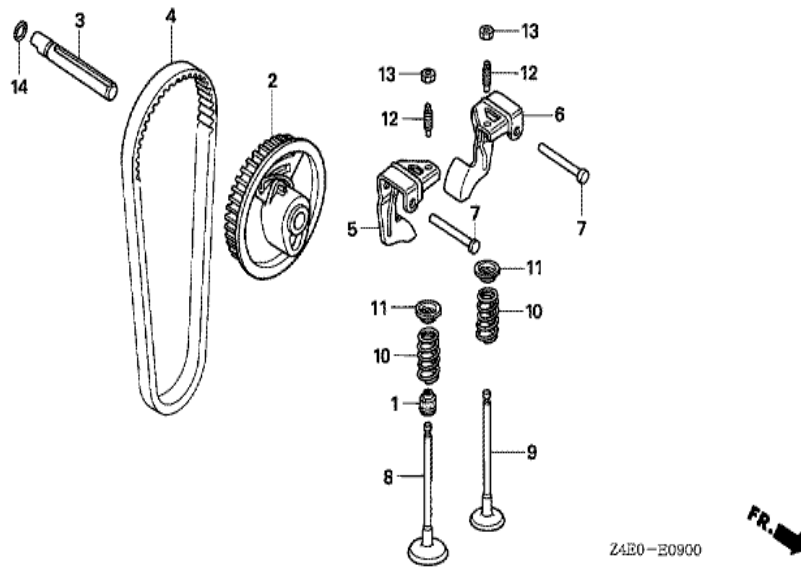
Ref	Partnumber	Description	GX100U	Serial Numbers
002	13310-Z0D-V00	CRANKSHAFT COMP.	1	
008	91001-Z0D-V01	BEARING, RADIAL BALL, 6204C	1	

GX100U(KRSB)	E-8 PISTON/CONNECTING ROD
--------------	---------------------------



Ref	Partnumber	Description	GX100U	Serial Numbers
001	13010-ZOD-003	RING SET, PISTON	1	
002	13101-ZOD-000	PISTON	1	
003	13111-ZE0-000	PIN, PISTON	1	
004	13200-ZOD-000	ROD ASSY., CONNECTING	1	
004	13200-ZOD-305	ROD ASSY., CONNECTING (UNDER SIZE)	(1)	
004	13200-ZOD-305	ROD ASSY., CONNECTING (UNDER SIZE)	(1)	
005	90001-ZM7-000	BOLT, CONNECTING ROD	2	
006	90551-ZE0-000	CLIP, PISTON PIN, 13MM	2	

GX100U(KRSB)	E-9 CAMSHAFT PULLEY
--------------	---------------------



<u>Ref</u>	<u>Partnumber</u>	<u>Description</u>	<u>GX100U</u>	<u>Serial Numbers</u>
001	12209-KT7-013	SEAL, VALVE STEM	1	
002	14320-Z0D-010	PULLEY COMP., CAMSHAFT	1	
003	14324-Z0D-000	SHAFT, CAM PULLEY	1	
004	14400-Z0D-003	BELT, TIMING (61YU7 G-200)	1	
005	14431-Z0D-000	ARM, IN. VALVE ROCKER	1	
006	14441-Z0D-000	ARM, EX. VALVE ROCKER	1	
007	14461-ZL8-000	SHAFT, ROCKER ARM	2	
008	14711-Z0D-000	VALVE, IN.	1	
009	14721-Z0D-000	VALVE, EX.	1	
010	14751-Z0D-000	SPRING, VALVE	2	
011	14771-ZM3-010	RETAINER, VALVE SPRING	2	
012	90012-333-000	SCREW, TAPPET ADJUSTING	2	
013	90206-001-000	NUT, TAPPET ADJUSTING	2	
<u>Ref</u>	<u>Partnumber</u>	<u>Description</u>	<u>GX100U</u>	<u>Serial Numbers</u>
014	91301-ZM0-V31	O-RING, 6.8X1.9 (ARAI)	1	