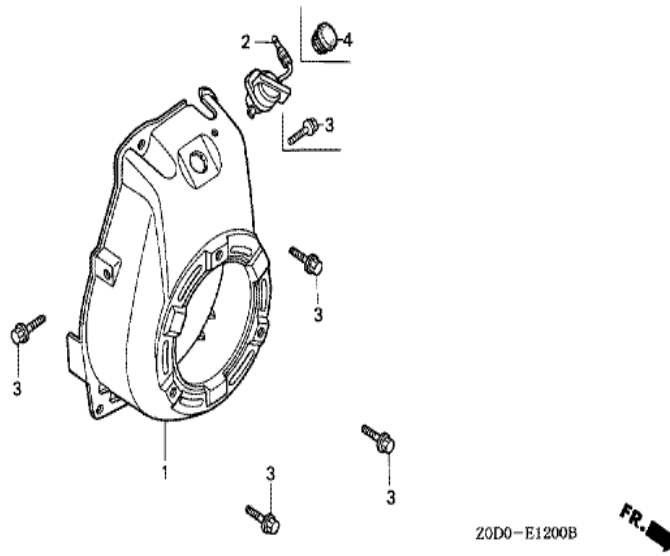


ZOD0E1100A



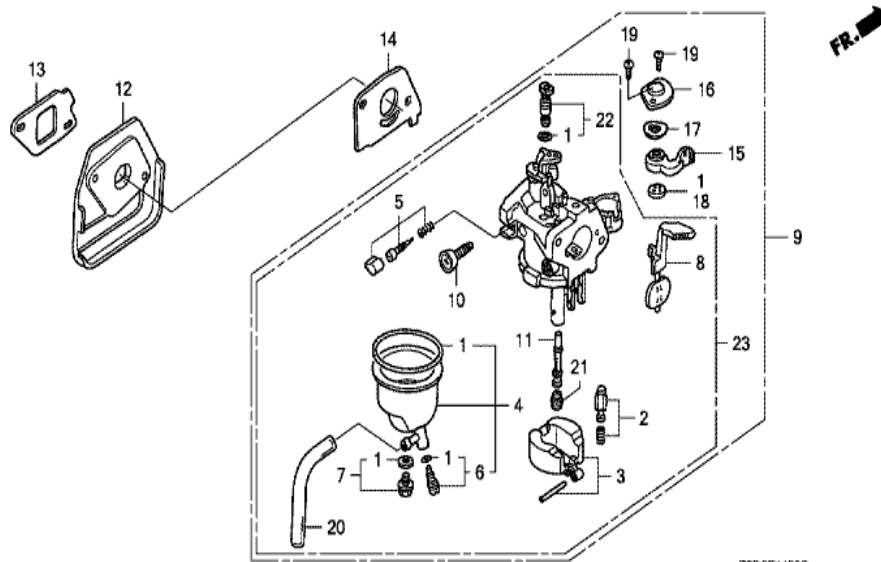
| Ref | Partnumber | Description | GX100 | Serial Numbers |
|-----|-----------------|-------------------------------|-------|----------------|
| 001 | 28400-ZOD-003ZC | STARTER ASSY., RECOIL *R280 * | 1 | |
| 001 | 28400-ZOD-003ZC | STARTER ASSY., RECOIL *R280 * | 1 | |
| 002 | 28461-ZOD-003 | GRIP, STARTER | 1 | |
| 003 | 28462-ZOD-003 | ROPE, STARTER | 1 | |
| 004 | 90002-ZOD-000 | BOLT, FLANGE, 6MM | 3 | |



Z0D0-E1200B

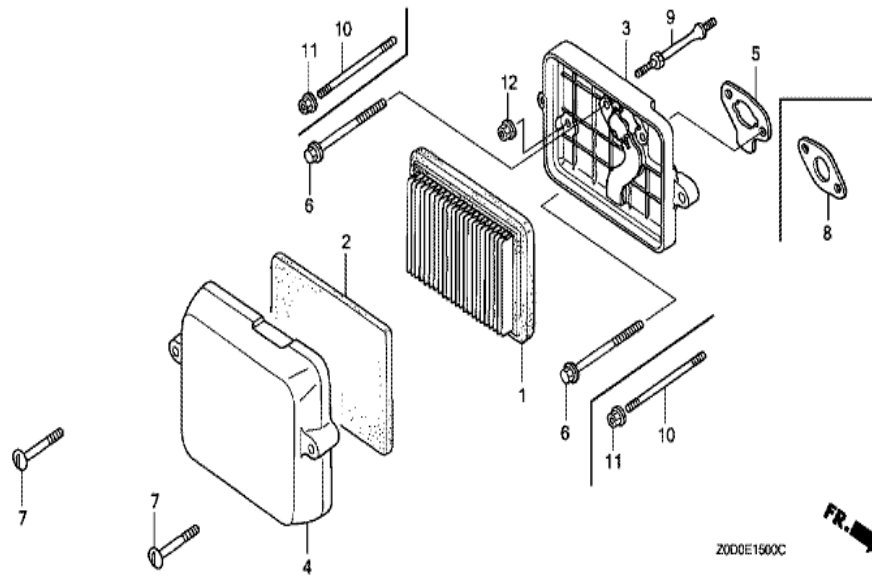


| Ref | Partnumber | Description | GX100 | Serial Numbers |
|-----|-----------------|----------------------------|-------|----------------|
| 001 | 19610-Z0D-000ZC | COVER COMP., FAN *R280 * | 1 | |
| 001 | 19610-Z0D-000ZC | COVER COMP., FAN *R280 * | 1 | |
| 002 | 35120-Z0D-V81 | SWITCH ASSY., ENGINE STOP | 1 | |
| 002 | 35120-Z0D-V81 | SWITCH ASSY., ENGINE STOP | 1 | 1444539 |
| 003 | 90014-952-000 | BOLT, FLANGE, 6X14 (CT200) | 4 | |



ZDD0E1400C

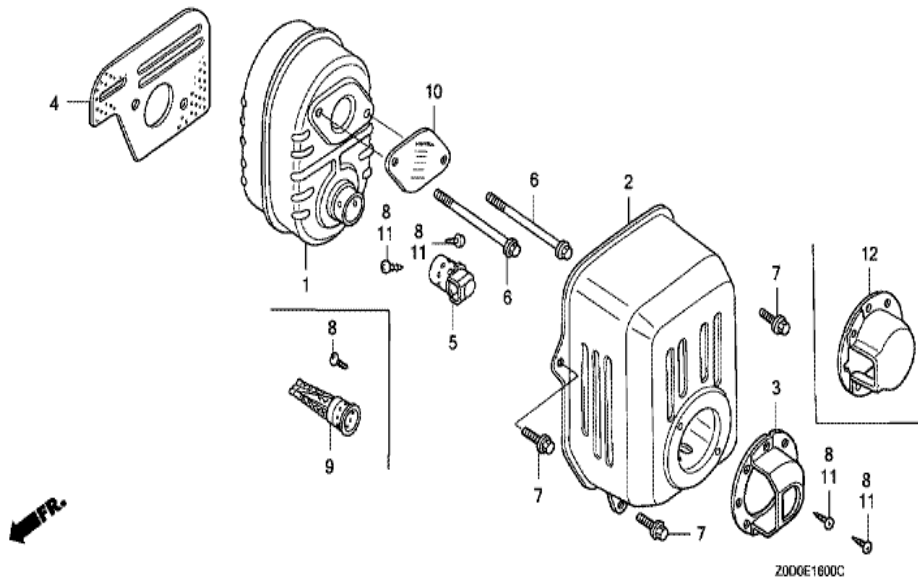
| <u>Ref</u> | <u>Partnumber</u> | <u>Description</u> | <u>GX100</u> | <u>Serial Numbers</u> |
|------------|-------------------|--|--------------|-----------------------|
| 001 | 16010-ZM7-003 | GASKET SET | 1 | |
| 001 | 16010-ZM7-003 | GASKET SET | 1 | |
| 002 | 16011-ZE0-005 | VALVE SET, FLOAT | 1 | |
| 003 | 16013-ZG0-811 | FLOAT SET | 1 | |
| 004 | 16015-ZM7-003 | CHAMBER SET, FLOAT | 1 | |
| 005 | 16016-ZH7-W01 | SCREW SET, PILOT | 1 | |
| 006 | 16024-ZB9-005 | SCREW SET, DRAIN | 1 | |
| 007 | 16028-ZG0-811 | SCREW SET | 1 | |
| 008 | 16044-ZOD-003 | CHOKE SET | 1 | |
| 009 | 16100-ZOD-013 | CARBURETOR ASSY. (BF32F B) | 1 | |
| 010 | 16124-ZE0-005 | SCREW, THROTTLE STOP | 1 | |
| 011 | 16166-ZOD-003 | NOZZLE, MAIN | 1 | |
| 012 | 16211-ZOD-000 | INSULATOR, CARBURETOR | 1 | |
| <u>Ref</u> | <u>Partnumber</u> | <u>Description</u> | <u>GX100</u> | <u>Serial Numbers</u> |
| 013 | 16212-ZOD-000 | PACKING, INSULATOR | 1 | |
| 014 | 16221-ZG0-801 | PACKING, CARBURETOR | 1 | |
| 015 | 16953-ZOD-003 | LEVER, COCK | 1 | |
| 016 | 16954-ZE1-812 | PLATE, LEVER SETTING | 1 | |
| 017 | 16956-ZE1-811 | SPRING, COCK LEVER | 1 | |
| 018 | 16957-ZE1-812 | PACKING, FUEL COCK | 1 | |
| 019 | 93500-030061H | SCREW, PAN, 3X6 | 2 | |
| 020 | 95003-0501031 | TUBE, VINYL, 3.5X6.5X100 (95003-05001-60 | 1 | |
| 021 | 99101-ZG00550 | JET, MAIN, #55 | (1) | |
| 021 | 99101-ZG00580 | JET, MAIN, #58 | (1) | |
| 021 | 99101-ZG00580 | JET, MAIN, #58 | (1) | |
| 021 | 99101-ZG00600 | JET, MAIN, #60 | 1 | |
| 021 | 99101-ZG00600 | JET, MAIN, #60 | 1 | |
| 022 | 99204-ZE20350 | JET SET, PILOT, #35 | 1 | |



Z000E1500C

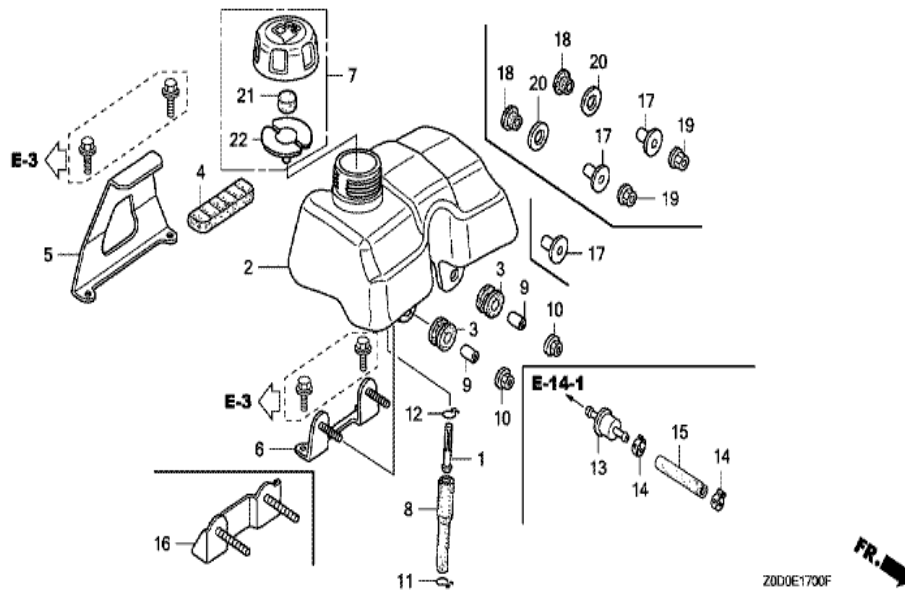


| <u>Ref</u> | <u>Partnumber</u> | <u>Description</u> | <u>GX100</u> | <u>Serial Numbers</u> |
|------------|-------------------|----------------------------------|--------------|-----------------------|
| 001 | 17211-ZL8-013 | ELEMENT, AIR CLEANER | 1 | 1563055 |
| 001 | 17211-ZL8-023 | ELEMENT, AIR CLEANER (TOYO ROKI) | 1 | |
| 001 | 17211-ZL8-023 | ELEMENT, AIR CLEANER (TOYO ROKI) | 1 | 1563056 |
| 002 | 17218-ZOD-000 | FILTER, OUTER | 1 | |
| 003 | 17220-ZOD-V20 | CASE COMP., AIR CLEANER | 1 | |
| 003 | 17220-ZOD-V20 | CASE COMP., AIR CLEANER | 1 | |
| 004 | 17231-ZOD-000 | COVER, AIR CLEANER | 1 | |
| 005 | 17274-ZT3-000 | PACKING, AIR INTAKE JOINT | 1 | |
| 005 | 17274-ZT3-000 | PACKING, AIR INTAKE JOINT | 1 | |
| 006 | 90004-ZOD-000 | BOLT, FLANGE, 5X77 (CT200) | 2 | |
| 007 | 90011-ZOD-000 | BOLT, AIR CLEANER COVER | 2 | |
| 009 | 90041-ZOD-V20 | BOLT, STUD | 1 | |
| 009 | 90041-ZOD-V20 | BOLT, STUD | 1 | |
| <u>Ref</u> | <u>Partnumber</u> | <u>Description</u> | <u>GX100</u> | <u>Serial Numbers</u> |
| 012 | 94050-06000 | NUT, FLANGE, 6MM | 1 | |
| 012 | 94050-06000 | NUT, FLANGE, 6MM | 1 | |



Z00GE1600C

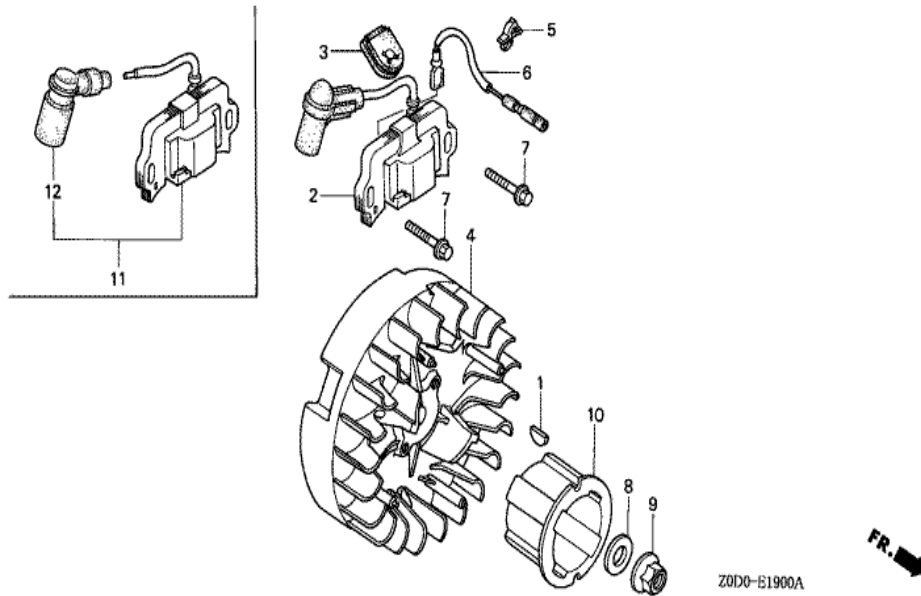
| Ref | Partnumber | Description | GX100 | Serial Numbers |
|-----|---------------|----------------------------|-------|----------------|
| 001 | 18310-ZM0-000 | MUFFLER COMP. | 1 | |
| 002 | 18320-Z0M-780 | PROTECTOR COMP., MUFFLER | 1 | |
| 004 | 18381-Z0D-000 | GASKET, MUFFLER | 1 | |
| 006 | 90004-ZL8-000 | BOLT, FLANGE, 6X79 (CT200) | 2 | |
| 007 | 90014-952-000 | BOLT, FLANGE, 6X14 (CT200) | 3 | |
| 008 | 90055-ZE1-000 | SCREW, TAPPING, 4X6 | (1) | |
| 008 | 90055-ZE1-000 | SCREW, TAPPING, 4X6 | (4) | |
| 009 | 18350-ZL8-000 | ARRESTER COMP., SPARK | (1) | |
| 010 | 18356-ZL8-000 | PLATE, ARRESTER NUMBER | (1) | |



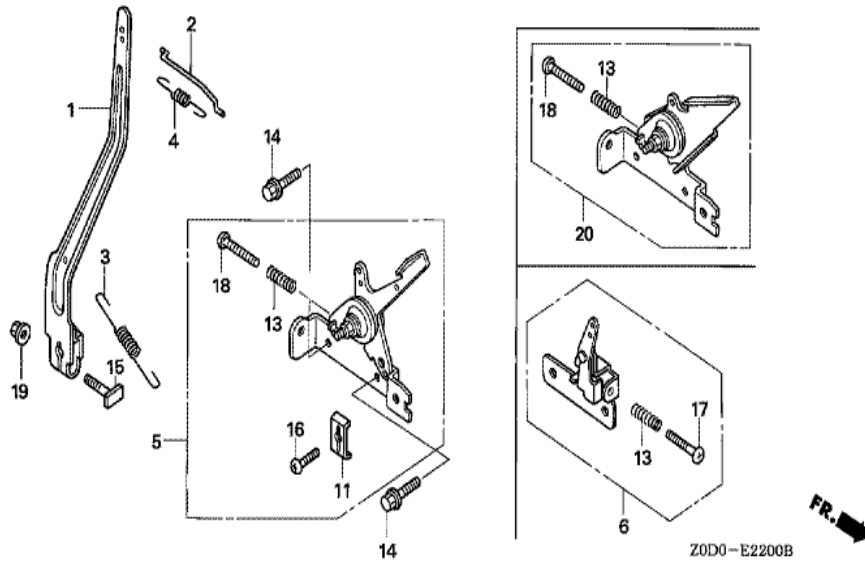
ZDD0E1700F



| <u>Ref</u> | <u>Partnumber</u> | <u>Description</u> | <u>GX100</u> | <u>Serial Numbers</u> |
|------------|-------------------|---------------------------|--------------|-----------------------|
| 001 | 16952-ZE6-000 | STRAINER, FUEL | 1 | |
| 002 | 17511-ZM7-000 | TANK, FUEL | 1 | |
| 002 | 17511-ZM7-000 | TANK, FUEL | 1 | 1418806 |
| 002 | 17511-ZM7-010 | TANK, FUEL | 1 | 1418807 |
| 002 | 17511-ZM7-010 | TANK, FUEL | 1 | 1418807 |
| 003 | 17532-ZM7-000 | RUBBER A, TANK MOUNTING | 2 | |
| 003 | 17532-ZM7-000 | RUBBER A, TANK MOUNTING | 2 | 1371830 |
| 004 | 17533-Z0D-T00 | RUBBER B, TANK MOUNTING | 1 | 1371831 |
| 004 | 17533-ZM7-000 | RUBBER B, TANK MOUNTING | 1 | |
| 004 | 17533-ZM7-000 | RUBBER B, TANK MOUNTING | 1 | 1371830 |
| 005 | 17561-Z0D-000 | STAY A, FUEL TANK | 1 | |
| 007 | 17620-ZL8-013 | CAP ASSY., FUEL TANK | 1 | |
| 008 | 17701-Z0D-000 | TUBE, FUEL | 1 | |
| <u>Ref</u> | <u>Partnumber</u> | <u>Description</u> | <u>GX100</u> | <u>Serial Numbers</u> |
| 010 | 90201-ZM0-000 | NUT, FLANGE, 6MM | 2 | |
| 010 | 90201-ZM0-000 | NUT, FLANGE, 6MM | 2 | 1371830 |
| 011 | 95002-02080 | CLIP, TUBE (B8) | 1 | |
| 012 | 95002-02100 | CLIP, TUBE (B10) | 1 | |
| 012 | 95002-02100 | CLIP, TUBE (B10) | 1 | |
| 016 | 17566-Z0D-T01 | STAY B, FUEL TANK | 1 | |
| 016 | 17566-Z0D-T01 | STAY B, FUEL TANK | 1 | 1376037 |
| 016 | 17566-Z0D-T02 | STAY B, FUEL TANK | 1 | |
| 016 | 17566-Z0D-T02 | STAY B, FUEL TANK | 1 | 1376038 |
| 017 | 19052-MB4-880 | COLLAR, CANISTER MOUNTING | 2 | |
| 018 | 17532-Z0D-T00 | RUBBER A, TANK MOUNTING | 2 | |
| 018 | 17532-Z0D-T00 | RUBBER A, TANK MOUNTING | 2 | 1371831 |
| 019 | 90343-ZE6-000 | NUT, SELF-LOCK, 6MM | 2 | |
| 019 | 90343-ZE6-000 | NUT, SELF-LOCK, 6MM | 2 | 1371831 |
| 020 | 90510-KY1-000 | WASHER, PLAIN, 15MM | 2 | |
| 020 | 90510-KY1-000 | WASHER, PLAIN, 15MM | 2 | 1371831 |
| 021 | 17622-ZL8-003 | SPONGE, FUEL CAP BREATHER | 1 | |
| 022 | 17624-ZL8-003 | PACKING, FUEL CAP | 1 | |

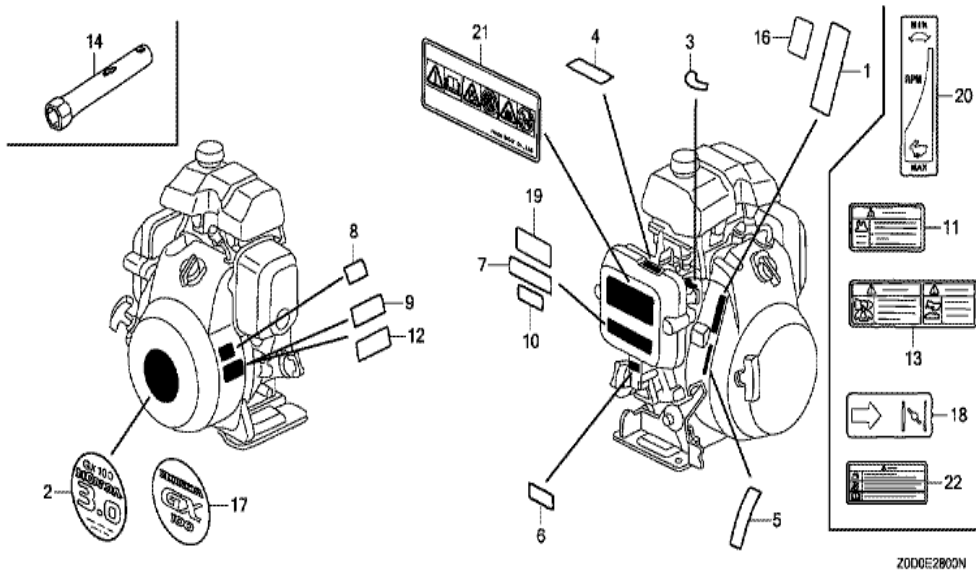


| Ref | Partnumber | Description | GX100 | Serial Numbers |
|-----|---------------|-------------------------------|-------|----------------|
| 001 | 13331-ZM7-000 | KEY, SPECIAL | 1 | |
| 002 | 30500-Z0D-003 | COIL ASSY., IGNITION | 1 | |
| 002 | 30500-Z0D-003 | COIL ASSY., IGNITION | 1 | 1418807 |
| 002 | 30500-Z0D-013 | COIL ASSY., IGNITION | 1 | 1418808 |
| 002 | 30500-Z0D-013 | COIL ASSY., IGNITION | 1 | 1418808 |
| 003 | 30564-ZA5-000 | GROMMET, CORD | 1 | |
| 004 | 31110-Z0D-003 | FLYWHEEL COMP. | 1 | |
| 005 | 30701-883-000 | CLIP, HIGH TENSION CORD (8MM) | 1 | |
| 006 | 32195-Z0D-000 | CORD, STOP SWITCH | 1 | |
| 007 | 90022-888-010 | BOLT, FLANGE, 6X20 (CT200) | 2 | |
| 008 | 90531-011-010 | WASHER, 12MM | 1 | |
| 009 | 94050-12000 | NUT, FLANGE, 12MM | 1 | |

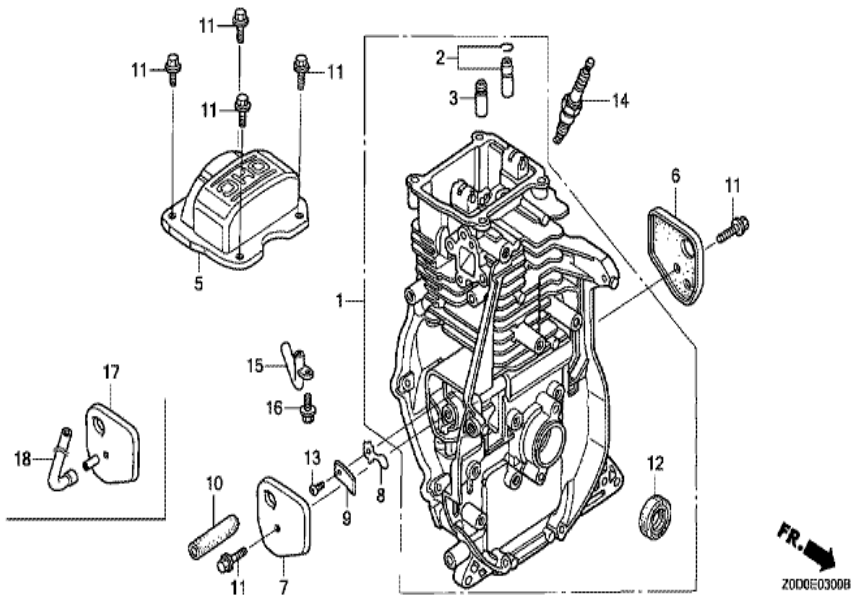


Z0D0-E2200B

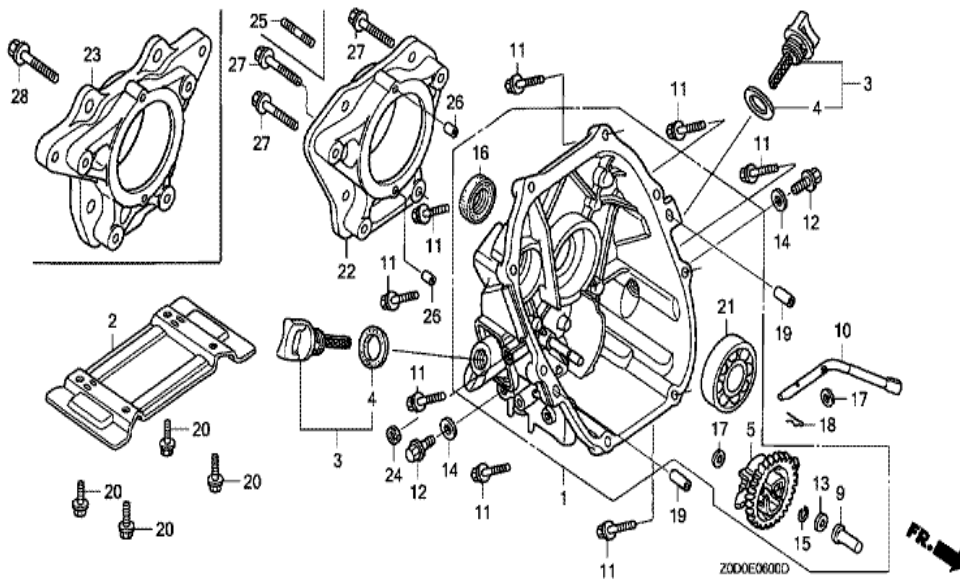
| Ref | Partnumber | Description | GX100 | Serial Numbers |
|-----|---------------|----------------------------|-------|----------------|
| 001 | 16551-Z0D-010 | ARM, GOVERNOR | 1 | |
| 001 | 16551-Z0D-010 | ARM, GOVERNOR | 1 | |
| 002 | 16555-Z0D-000 | ROD, GOVERNOR | 1 | |
| 003 | 16561-Z0D-000 | SPRING, GOVERNOR | 1 | |
| 004 | 16562-Z0D-000 | SPRING, THROTTLE RETURN | 1 | |
| 005 | 16570-ZG0-W00 | CONTROL ASSY. (STD.) | 1 | |
| 011 | 16576-891-000 | HOLDER, CABLE | 1 | |
| 013 | 16584-883-300 | SPRING, CONTROL ADJUSTING | 1 | |
| 014 | 90014-952-000 | BOLT, FLANGE, 6X14 (CT200) | 2 | |
| 015 | 90015-ZE5-010 | BOLT, GOVERNOR ARM | 1 | |
| 016 | 93500-050160A | SCREW, PAN, 5X16 | 1 | |
| 018 | 93500-050250A | SCREW, PAN, 5X25 | 1 | |
| 019 | 94050-06000 | NUT, FLANGE, 6MM | 1 | |



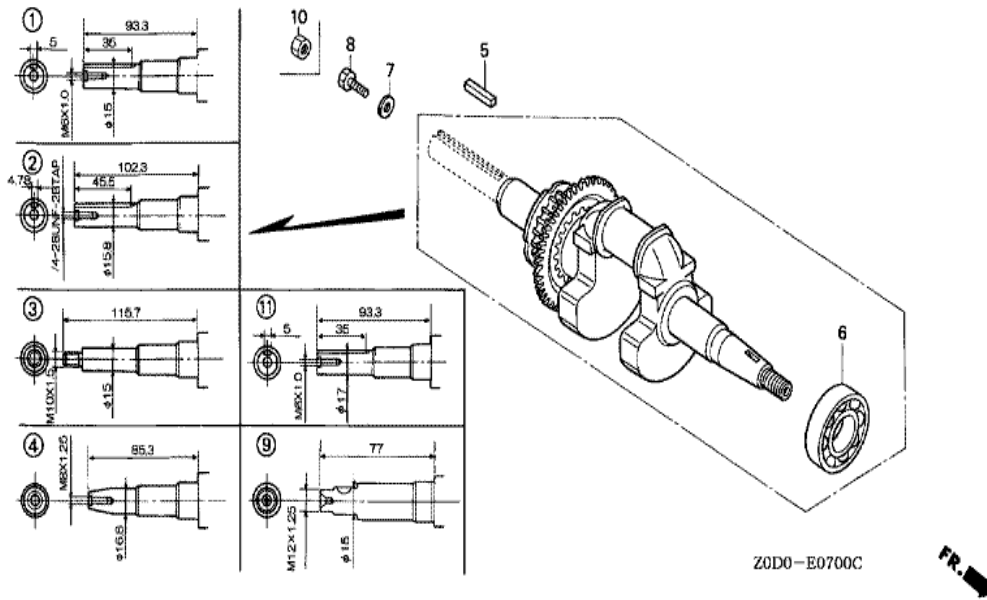
| Ref | Partnumber | Description | GX100 | Serial Numbers |
|-----|---------------|---------------------------|-------|----------------|
| 002 | 87521-ZOD-010 | EMBLEM (GX100 3.0) | 1 | |
| 002 | 87521-ZOD-010 | EMBLEM (GX100 3.0) | 1 | |
| 003 | 87528-ZG0-W40 | MARK, COCK (EXTERNAL) | 1 | |
| 004 | 87528-ZOD-000 | MARK, CHOKE INDICATION | 1 | |
| 005 | 87532-ZG0-W40 | MARK, THROTTLE INDICATION | 1 | |
| 006 | 87601-ZOD-T80 | MARK, TYPE (QBE) | 1 | |
| 006 | 87601-ZOD-T80 | MARK, TYPE (QBE) | 1 | |



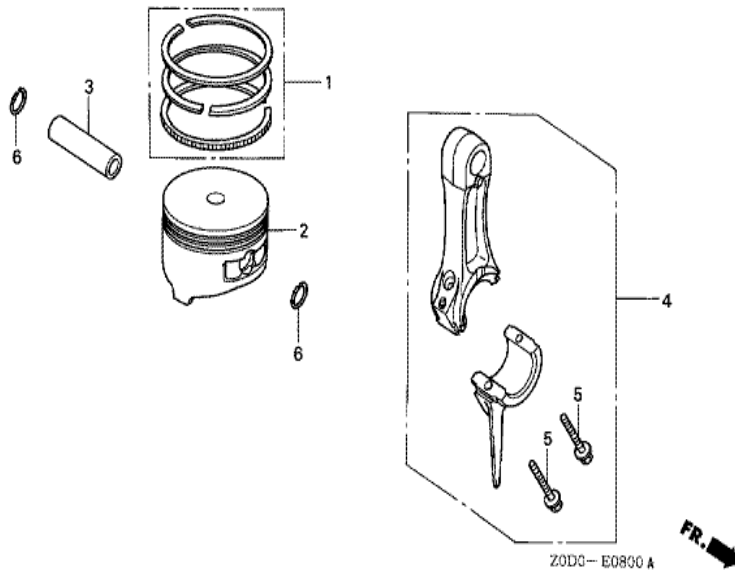
| <u>Ref</u> | <u>Partnumber</u> | <u>Description</u> | <u>GX100</u> | <u>Serial Numbers</u> |
|------------|-------------------|-------------------------------|--------------|-----------------------|
| 001 | 12000-Z0D-405 | BARREL ASSY., CYLINDER | 1 | |
| 002 | 12201-Z0D-305 | GUIDE ASSY., EX. VALVE (O.S.) | (1) | |
| 003 | 12204-Z0D-305 | GUIDE, IN. VALVE (O.S.) | (1) | |
| 005 | 12311-Z0D-000 | COVER, HEAD | 1 | |
| 006 | 12355-Z0D-000 | COVER COMP. A, BREATHER | 1 | |
| 007 | 12365-Z0D-000 | COVER COMP. B, BREATHER | 1 | |
| 008 | 15571-ZM7-003 | VALVE, OIL OUTLET | 1 | |
| 008 | 15571-ZM7-003 | VALVE, OIL OUTLET | 1 | |
| 009 | 15572-ZM7-000 | PLATE, STOPPER | 1 | |
| 010 | 15721-Z0D-000 | TUBE, BREATHER | 1 | |
| 011 | 90014-952-000 | BOLT, FLANGE, 6X14 (CT200) | 6 | |
| 012 | 91202-KJ9-003 | OIL SEAL, 20X32X6 | 1 | |
| 013 | 93500-030050A | SCREW, PAN, 3X5 | 1 | |
| <u>Ref</u> | <u>Partnumber</u> | <u>Description</u> | <u>GX100</u> | <u>Serial Numbers</u> |
| 014 | 98056-55757 | PLUG, SPARK (U16FSR-UB) | 1 | |
| 014 | 98056-55777 | PLUG, SPARK (CR5HSB) | 1 | |
| 014 | 98056-55777 | PLUG, SPARK (CR5HSB) | 1 | |



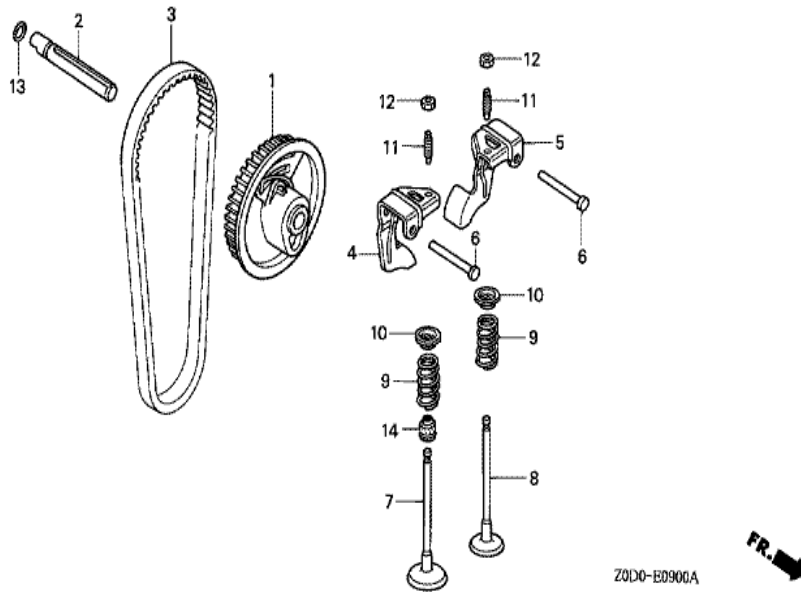
| <u>Ref</u> | <u>Partnumber</u> | <u>Description</u> | <u>GX100</u> | <u>Serial Numbers</u> |
|------------|-------------------|----------------------------|--------------|-----------------------|
| 001 | 11300-Z0D-406 | COVER ASSY., CRANKCASE | 1 | |
| 001 | 11300-Z0D-406 | COVER ASSY., CRANKCASE | 1 | |
| 002 | 12351-Z0D-T00 | BED, ENGINE | 1 | |
| 003 | 15600-ZM7-003 | CAP ASSY., OIL FILLER | 1 | |
| 003 | 15600-ZM7-003 | CAP ASSY., OIL FILLER | 2 | |
| 004 | 15625-ZE1-003 | PACKING, OIL FILLER CAP | 1 | |
| 004 | 15625-ZE1-003 | PACKING, OIL FILLER CAP | 2 | |
| 005 | 16510-ZL8-000 | GOVERNOR ASSY. | 1 | |
| 005 | 16510-ZL8-000 | GOVERNOR ASSY. | 1 | |
| 009 | 16531-ZE1-000 | SLIDER, GOVERNOR | 1 | |
| 010 | 16541-Z0D-000 | SHAFT, GOVERNOR ARM | 1 | |
| 011 | 90121-952-000 | BOLT, FLANGE, 6X25 (CT200) | 8 | |
| 012 | 90131-ZE1-000 | BOLT, DRAIN PLUG | 1 | |
| <u>Ref</u> | <u>Partnumber</u> | <u>Description</u> | <u>GX100</u> | <u>Serial Numbers</u> |
| 012 | 90131-ZE1-000 | BOLT, DRAIN PLUG | 2 | |
| 013 | 90451-ZE1-000 | WASHER, THRUST, 6MM | 1 | |
| 014 | 90601-ZE1-000 | WASHER, DRAIN PLUG, 10.2MM | 1 | |
| 014 | 90601-ZE1-000 | WASHER, DRAIN PLUG, 10.2MM | 2 | |
| 015 | 90602-ZE1-000 | CLIP, GOVERNOR HOLDER | 1 | |
| 016 | 91202-KJ9-003 | OIL SEAL, 20X32X6 | 1 | |
| 017 | 94101-06800 | WASHER, PLAIN, 6MM | 2 | |
| 018 | 94251-08000 | PIN, LOCK, 8MM | 1 | |
| 019 | 94301-08200 | DOWEL PIN, 8X20 | 2 | |
| 020 | 95701-0802500 | BOLT, FLANGE, 8X25 | 4 | |
| 020 | 95701-0802500 | BOLT, FLANGE, 8X25 | 4 | |
| 021 | 96100-6204000 | BEARING, RADIAL BALL, 6204 | 1 | |



| Ref | Partnumber | Description | GX100 | Serial Numbers |
|-----|---------------|----------------------------|-------|----------------|
| 002 | 13310-ZOD-600 | CRANKSHAFT COMP. | 1 | |
| 005 | 90745-ZE1-600 | KEY, 4.78X4.78X38 | 1 | |
| 005 | 90745-ZE1-600 | KEY, 4.78X4.78X38 | 1 | |
| 006 | 96100-6204000 | BEARING, RADIAL BALL, 6204 | 1 | |
| 006 | 96100-6204000 | BEARING, RADIAL BALL, 6204 | 1 | |



| Ref | Partnumber | Description | GX100 | Serial Numbers |
|-----|---------------|------------------------------------|-------|----------------|
| 001 | 13010-ZOD-003 | RING SET, PISTON | 1 | |
| 002 | 13101-ZOD-000 | PISTON | 1 | |
| 003 | 13111-ZE0-000 | PIN, PISTON | 1 | |
| 004 | 13200-ZOD-000 | ROD ASSY., CONNECTING | 1 | |
| 004 | 13200-ZOD-305 | ROD ASSY., CONNECTING (UNDER SIZE) | (1) | |
| 004 | 13200-ZOD-305 | ROD ASSY., CONNECTING (UNDER SIZE) | (1) | |
| 005 | 90001-ZM7-000 | BOLT, CONNECTING ROD | 2 | |
| 006 | 90551-ZE0-000 | CLIP, PISTON PIN, 13MM | 2 | |



ZOD0-E0900A



| <u>Ref</u> | <u>Partnumber</u> | <u>Description</u> | <u>GX100</u> | <u>Serial Numbers</u> |
|------------|-------------------|----------------------------|--------------|-----------------------|
| 001 | 14320-ZOD-010 | PULLEY COMP., CAMSHAFT | 1 | |
| 002 | 14324-ZOD-000 | SHAFT, CAM PULLEY | 1 | |
| 003 | 14400-ZOD-003 | BELT, TIMING (61YU7 G-200) | 1 | |
| 004 | 14431-ZOD-000 | ARM, IN. VALVE ROCKER | 1 | |
| 005 | 14441-ZOD-000 | ARM, EX. VALVE ROCKER | 1 | |
| 006 | 14461-ZL8-000 | SHAFT, ROCKER ARM | 2 | |
| 007 | 14711-ZOD-000 | VALVE, IN. | 1 | |
| 008 | 14721-ZOD-000 | VALVE, EX. | 1 | |
| 009 | 14751-ZOD-000 | SPRING, VALVE | 2 | |
| 010 | 14771-ZM3-010 | RETAINER, VALVE SPRING | 2 | |
| 011 | 90012-333-000 | SCREW, TAPPET ADJUSTING | 2 | |
| 012 | 90206-001-000 | NUT, TAPPET ADJUSTING | 2 | |
| 013 | 91301-ZM0-V31 | O-RING, 6.8X1.9 (ARAI) | 1 | |
| <u>Ref</u> | <u>Partnumber</u> | <u>Description</u> | <u>GX100</u> | <u>Serial Numbers</u> |
| 014 | 12209-KT7-013 | SEAL, VALVE STEM | 1 | |