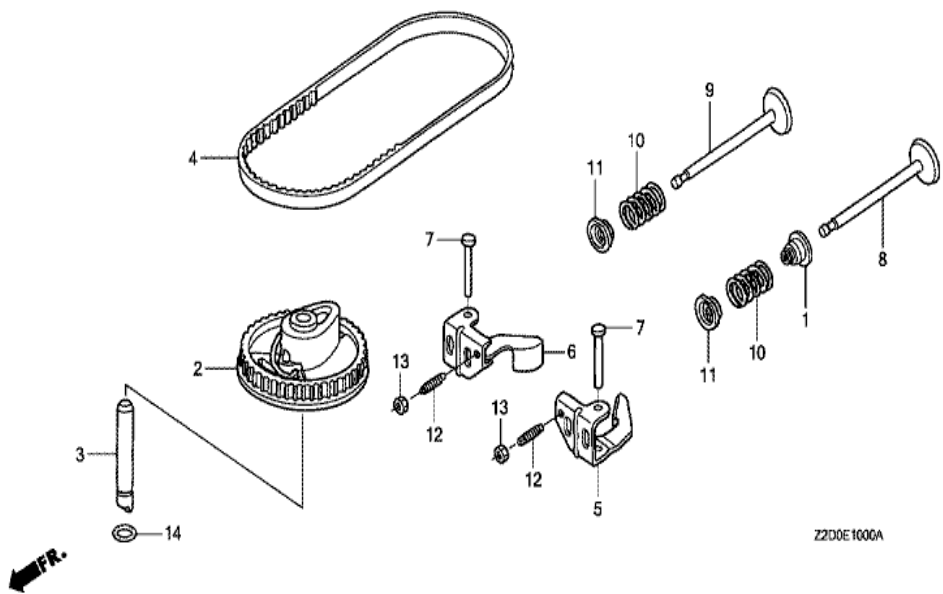


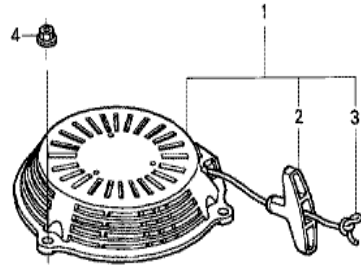
GSV190A(N1U)	E-10 CAMSHAFT PULLEY
--------------	----------------------



Ref	Partnumber	Description	GSV190A	Serial Numbers
001	12209-ZM0-003	SEAL, VALVE STEM	1	
002	14320-Z0Y-000	PULLEY COMP., CAMSHAFT	1	1106100
002	14320-Z8D-000	PULLEY COMP., CAMSHAFT	1	1106101
003	14324-ZL8-000	SHAFT, CAM PULLEY	1	
003	14324-ZL8-000	SHAFT, CAM PULLEY	1	
004	14400-Z0J-014	BELT, TIMING (84HU7 G-200)	1	
005	14431-Z0J-000	ARM, IN. VALVE ROCKER	1	
005	14431-Z0J-000	ARM, IN. VALVE ROCKER	1	
006	14441-Z0J-000	ARM, EX. VALVE ROCKER	1	
006	14441-Z0J-000	ARM, EX. VALVE ROCKER	1	
007	14461-ZL8-000	SHAFT, ROCKER ARM	2	
008	14711-Z0J-000	VALVE, IN. (ROCKNEL)	1	1024676
008	14711-ZL8-000	VALVE, IN. (TECHNOSTAR)	1	
<u>Ref</u>	<u>Partnumber</u>	<u>Description</u>	<u>GSV190A</u>	<u>Serial Numbers</u>
008	14711-ZL8-000	VALVE, IN. (TECHNOSTAR)	1	1024677
009	14721-Z8B-000	VALVE, EX. (C8E)	1	
009	14721-ZL8-000	VALVE, EX. (L8E)	1	
009	14721-ZL8-000	VALVE, EX. (L8E)	1	
010	14751-ZL8-000	SPRING, VALVE	2	
011	14771-ZE1-000	RETAINER, IN. VALVE SPRING	2	
011	14771-ZE1-000	RETAINER, IN. VALVE SPRING	2	
012	90012-333-000	SCREW, TAPPET ADJUSTING	2	
013	90206-001-000	NUT, TAPPET ADJUSTING	2	
014	91301-ZM0-V31	O-RING, 6.8X1.9 (ARAI)	1	

GSV190A(N1U)

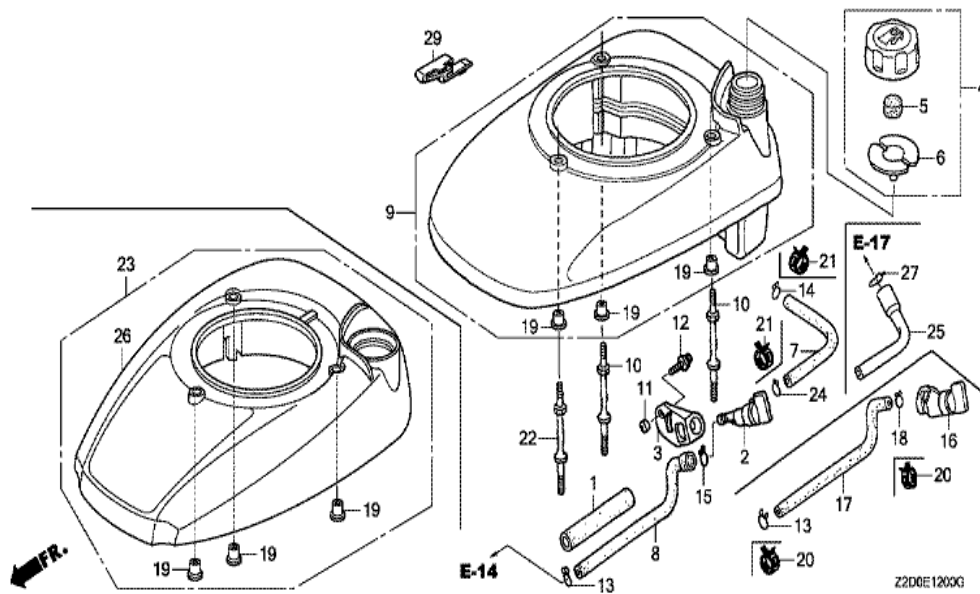
E-11 RECOIL STARTER



Z2D0-E1100

Ref	Partnumber	Description	GSV190A	Serial Numbers
001	28400-Z0Y-802ZA	STARTER ASSY., RECOIL *NH1 *	1	
001	28400-Z0Y-802ZA	STARTER ASSY., RECOIL *NH1 *	1	1100157
001	28400-Z0Y-802ZB	STARTER ASSY., RECOIL *R280 *	1	
001	28400-Z0Y-802ZB	STARTER ASSY., RECOIL *R280 *	1	1100157
001	28400-Z8A-003ZB	STARTER ASSY., RECOIL (SHORT ROPE) *R280	1	1100158 1105803
001	28400-Z8A-003ZC	STARTER ASSY., RECOIL (SHORT ROPE) *NH1 *	1	1100158 1105803
001	28400-Z8D-911ZA	STARTER ASSY., RECOIL (SHORT ROPE) *R280	1	1105804
001	28400-Z8D-911ZB	STARTER ASSY., RECOIL (SHORT ROPE) *NH1 *	1	1105804
002	28461-ZL8-003	GRIP, STARTER	1	
003	28462-ZL8-003	ROPE, RECOIL STARTER	1	
003	28462-ZL8-003	ROPE, RECOIL STARTER	1	
004	90201-ZM0-000	NUT, FLANGE, 6MM	3	

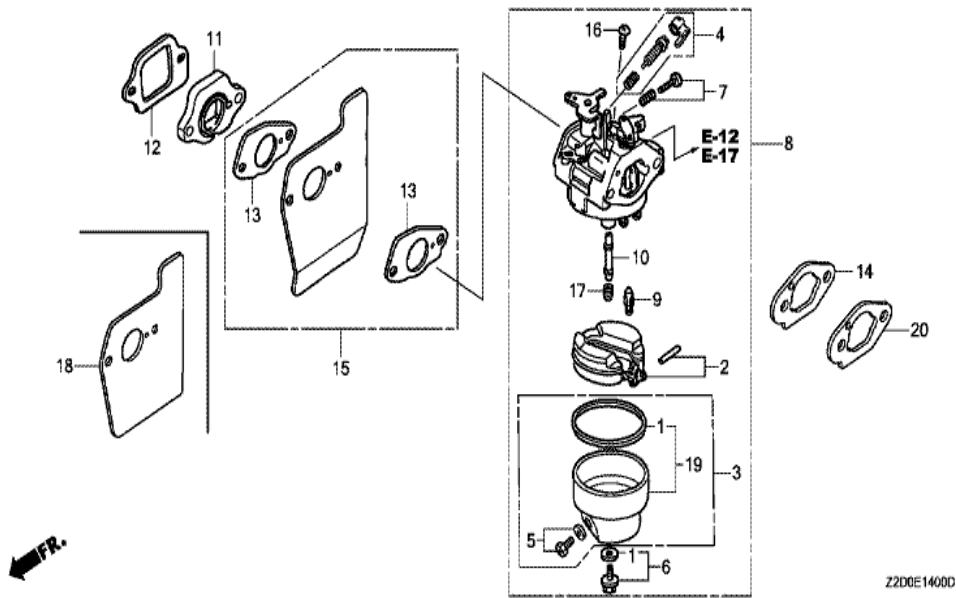
GSV190A(N1U)	E-12 FAN COVER
--------------	----------------



Ref	Partnumber	Description	GSV190A	Serial Numbers
001	16854-ZH8-000	RUBBER, SUPPORTER (107MM)	1	
002	16950-ZG9-M03	COCK ASSY., FUEL	1	
003	16956-ZG9-M00	BRACKET, FUEL COCK	1	
004	17620-ZL8-013	CAP ASSY., FUEL TANK	1	
004	17620-ZL8-013	CAP ASSY., FUEL TANK	1	
005	17622-ZL8-003	SPONGE, FUEL CAP BREATHER	1	
005	17622-ZL8-003	SPONGE, FUEL CAP BREATHER	1	
006	17624-ZL8-003	PACKING, FUEL CAP	1	
006	17624-ZL8-003	PACKING, FUEL CAP	1	
007	17701-ZOL-000	TUBE, FUEL TANK	1	
008	17702-ZM0-000	TUBE, FUEL	1	
009	19610-ZOL-000ZA	COVER COMP., FAN *NH1 *	1	1103589
009	19610-ZOL-000ZD	COVER COMP., FAN *R280 *	1	

<u>Ref</u>	<u>Partnumber</u>	<u>Description</u>	<u>GSV190A</u>	<u>Serial Numbers</u>
009	19610-ZOL-000ZD	COVER COMP., FAN *R280 *	1	1103589
010	90043-Z8B-000	BOLT, STUD (FAN COVER)	2	1093596 1103589
010	90043-Z8D-010	BOLT, STUD (FAN COVER)	2	1103590
010	90043-ZL8-000	BOLT, STUD (H=42.5MM)	3	
010	90043-ZL8-000	BOLT, STUD (H=42.5MM)	2	1093595
011	91501-ZOL-800	COLLAR, FUEL COCK	1	
012	93891-0501008	SCREW-WASHER, 5X10	1	
013	95002-02080	CLIP, TUBE (B8)	1	
014	95002-02100	CLIP, TUBE (B10)	1	1103589
015	95002-50000	CLIP, TUBE (C9)	1	
019	19619-ZL8-300	COLLAR, FAN COVER	3	1103589
022	90043-Z8B-000	BOLT, STUD (FAN COVER)	1	1093596 1103589
022	90043-Z8D-010	BOLT, STUD (FAN COVER)	1	1103590
022	90043-ZL8-000	BOLT, STUD (H=42.5MM)	1	1093595
024	95002-02100	CLIP, TUBE (B10)	1	
025	17701-ZOL-810	TUBE, FUEL TANK	1	1103590
026	19611-Z8D-900ZC	COVER, FAN *R280*	1	1103590
026	19611-Z8D-900ZD	COVER, FAN *NH1*	1	1103590
027	95002-70000	CLIP, TUBE (C11)	1	1103590
029	17516-Z8B-900ZC	CLIP, TANK MOUNTING *R280*	1	1103590
029	17516-Z8B-900ZD	CLIP, TANK MOUNTING *NH1*	1	1103590

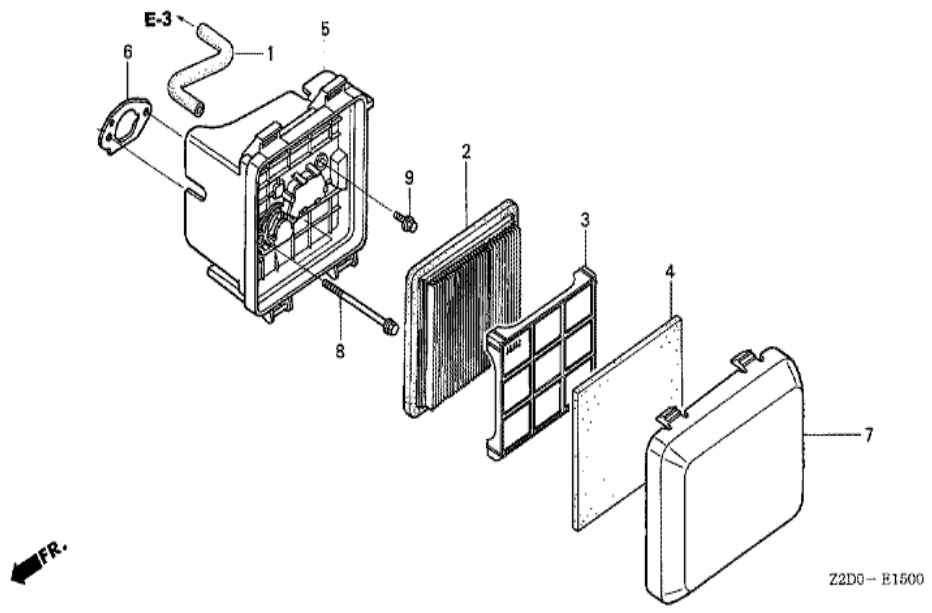
GSV190A(N1U)	E-14 CARBURETOR
--------------	-----------------



Ref	Partnumber	Description	GSV190A	Serial Numbers
001	16010-883-015	PACKING SET	1	
002	16013-ZL1-003	FLOAT SET	1	
003	16015-887-782	CHAMBER SET, FLOAT	1	
003	16015-887-782	CHAMBER SET, FLOAT	1	BB65G A
004	16016-ZG0-W00	SCREW SET	1	
005	16024-ZE1-811	SCREW SET, DRAIN	1	
005	16024-ZE1-811	SCREW SET, DRAIN	1	BB65G A
006	16028-ZE0-005	SCREW SET	1	
007	16029-ZG0-901	SCREW SET (THROTTLE STOP)	1	
008	16100-Z2D-003	CARBURETOR ASSY. (BB62M A)	1	1023643
008	16100-Z2D-003	CARBURETOR ASSY. (BB62M A)	1	1023643
008	16100-Z2D-013	CARBURETOR ASSY. (BB62M B)	1	1023644
008	16100-Z2D-013	CARBURETOR ASSY. (BB62M B)	1	1023644 1041697

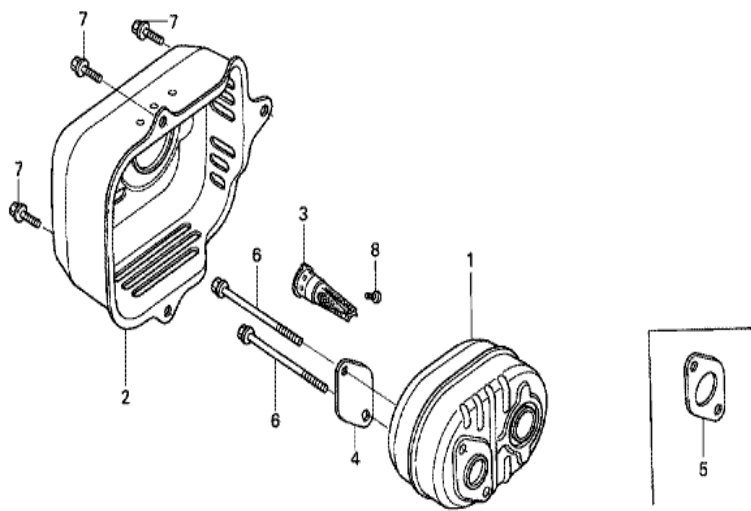
<u>Ref</u>	<u>Partnumber</u>	<u>Description</u>	<u>GSV190A</u>	<u>Serial Numbers</u>
008	16100-Z2D-811	CARBURETOR ASSY. (BB65G A)	1	1041698
008	16100-Z2D-811	CARBURETOR ASSY. (BB65G A)	1	1041698 1051984
008	16100-Z2D-812	CARBURETOR ASSY. (BB65G B)	1	1051985 1089869
008	16100-Z2D-813	CARBURETOR ASSY. (BB65G C)	1	1089870
009	16155-ZM0-003	VALVE, FLOAT	1	BB62M A
009	16155-ZM0-013	VALVE, FLOAT	1	BB62M B
009	16155-ZM0-013	VALVE, FLOAT	1	BB62M B
010	16166-Z0Y-003	NOZZLE, MAIN	1	
011	16211-Z8B-000	INSULATOR, CARBURETOR	1	1103480
011	16211-ZL8-000	INSULATOR, CARBURETOR	1	1103479
012	16212-ZL8-000	PACKING, INSULATOR	1	
013	16221-883-800	PACKING, CARBURETOR	2	1045261
014	16228-ZL8-000	PACKING, CARBURETOR	1	
015	19650-ZM0-000	GUIDE COMP., AIR	1	1045261
016	93500-050061H	SCREW, PAN, 5X6	1	
017	99101-1240620	JET, MAIN, #62	(1)	
017	99101-1240650	JET, MAIN, #65	(1)	
017	99101-1240650	JET, MAIN, #65	(1)	
017	99101-1240680	JET, MAIN, #68	1	
017	99101-1240680	JET, MAIN, #68	1	
018	19651-Z0L-000	GUIDE, AIR	1	1045262
019	16015-Z0L-881	CHAMBER SET, FLOAT	1	
019	16015-Z0L-881	CHAMBER SET, FLOAT	1	BB65G B
019	16015-Z0L-881	CHAMBER SET, FLOAT	1	

GSV190A(N1U)	E-15 AIR CLEANER
--------------	------------------



<u>Ref</u>	<u>Partnumber</u>	<u>Description</u>	<u>GSV190A</u>	<u>Serial Numbers</u>
001	15721-ZM0-000	TUBE, BREATHER	1	
002	17211-ZL8-023	ELEMENT, AIR CLEANER (TOYO ROKI)	1	
002	17211-ZL8-023	ELEMENT, AIR CLEANER (TOYO ROKI)	1	
003	17212-Z2A-000	GRID, AIR CLEANER	1	
004	17218-Z2A-000	FILTER, OUTER (WET)	1	
005	17220-ZM0-000	CASE ASSY., AIR CLEANER	1	
006	17228-Z8B-000	PACKING, AIR CLEANER	1	1100158
006	17228-ZM0-000	PACKING, AIR CLEANER	1	
006	17228-ZM0-000	PACKING, AIR CLEANER	1	1100157
007	17231-Z2B-000	COVER, AIR CLEANER (DUAL)	1	
007	17231-Z2B-000	COVER, AIR CLEANER (DUAL)	1	1068382
007	17231-Z2B-020	COVER, AIR CLEANER (DUAL)	1	1068383
007	17231-Z2B-020	COVER, AIR CLEANER (DUAL)	1	1068383
<u>Ref</u>	<u>Partnumber</u>	<u>Description</u>	<u>GSV190A</u>	<u>Serial Numbers</u>
008	90003-ZM0-000	BOLT, FLANGE, 6X86 (CT200)	2	1045261
008	90003-ZM0-010	BOLT, FLANGE, 6X85 (CT200)	2	1045262
009	95701-0601408	BOLT, FLANGE, 6X14	1	

GSV190A(N1U)	E-16 MUFFLER
--------------	--------------

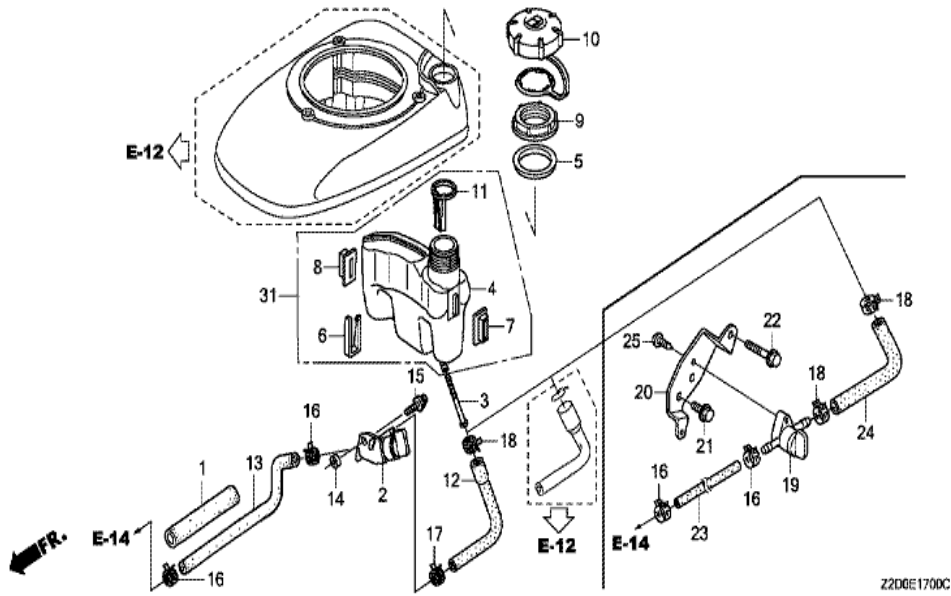


Z2D0-E1600

Ref	Partnumber	Description	GSV190A	Serial Numbers
001	18310-Z0Y-000	MUFFLER COMP.	1	
002	18321-Z0L-000	PROTECTOR, MUFFLER	1	
002	18321-Z0L-000	PROTECTOR, MUFFLER	1	1068382
002	18321-Z0L-010	PROTECTOR, MUFFLER	1	1068383
002	18321-Z0L-010	PROTECTOR, MUFFLER	1	1068383 1070724
002	18321-Z0L-800	PROTECTOR, MUFFLER	1	1070725
005	18381-ZL8-305	GASKET, MUFFLER	(1)	
006	90004-ZL8-000	BOLT, FLANGE, 6X79 (CT200)	2	
007	90013-883-000	BOLT, FLANGE, 6X12 (CT200)	3	

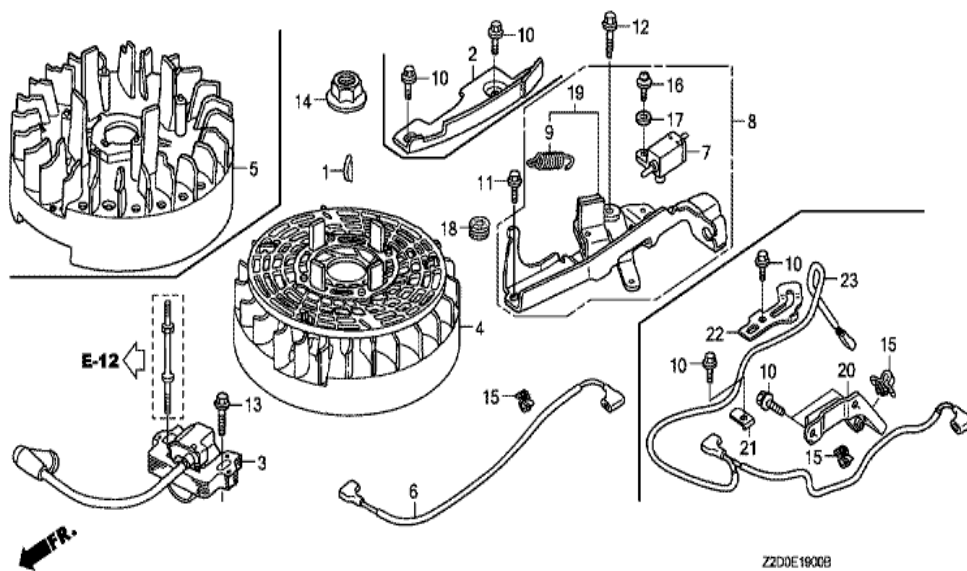


GSV190A(N1U)	E-17 FUEL TANK
--------------	----------------



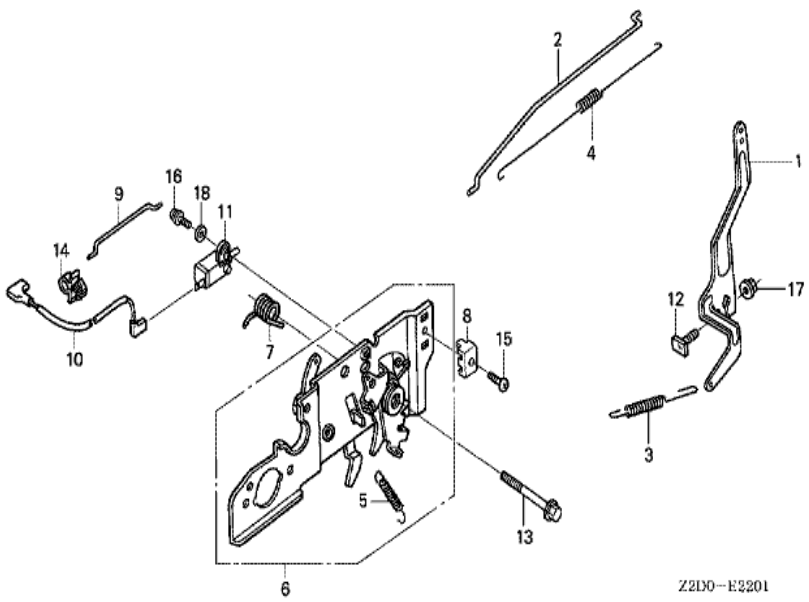
Ref	Partnumber	Description	GSV190A	Serial Numbers
003	16952-Z8B-000	STRAINER, FUEL	1	1103590
004	17511-Z8B-800	TANK, FUEL	1	1103590
005	17514-Z0L-000	SEAL, FUEL FILLER NECK	1	1103590
006	17516-Z0L-000	CLIP, TANK MOUNTING	1	1103589
007	17532-Z8B-800	RUBBER A, TANK MOUNTING	1	1103590
008	17533-Z8B-800	RUBBER B, TANK MOUNTING	1	1103590
009	17534-Z0L-000	NUT, TANK MOUNTING	1	1103590
011	17636-Z0L-010	GAUGE, FUEL LEVEL	1	1103590

GSV190A(N1U)	E-19 FLYWHEEL
--------------	---------------



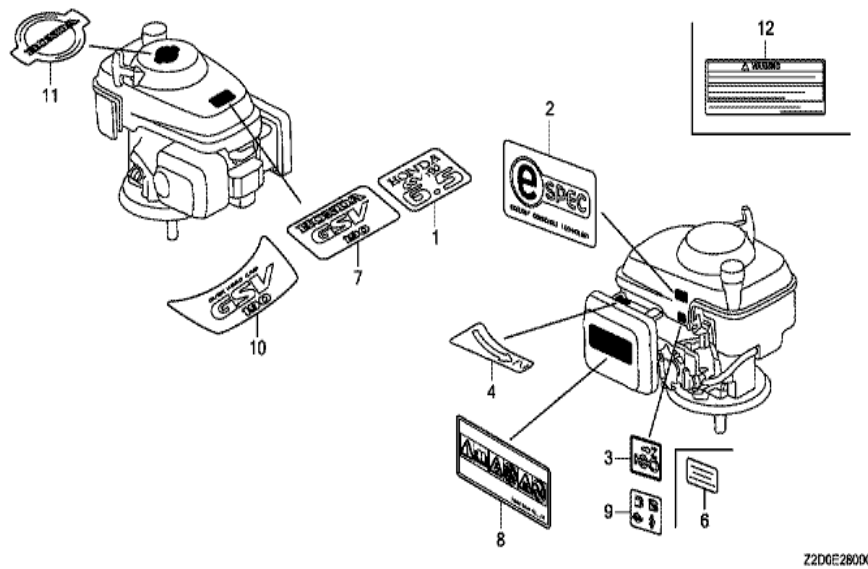
Ref	Partnumber	Description	GSV190A	Serial Numbers
001	13331-357-000	KEY, SPECIAL WOODRUFF, 25X18	1	1104542
001	13331-Z8B-900	KEY, SPECIAL WOODRUFF, 25X18	1	1104543
002	19612-Z0L-000	PLATE, SIDE	1	
002	19612-Z0L-000	PLATE, SIDE	1	
003	30500-Z0J-003	COIL ASSY., IGNITION (PHELON) (USE FOR F	1	
004	31105-Z0Y-010	FLYWHEEL ASSY. (PHELON) (USE FOR IGN. CO	1	
010	90013-883-000	BOLT, FLANGE, 6X12 (CT200)	2	
013	90022-888-010	BOLT, FLANGE, 6X20 (CT200)	1	
013	90022-888-010	BOLT, FLANGE, 6X20 (CT200)	1	
014	90213-S3Y-000	NUT, FLANGE, 14MM	1	

GSV190A(N1U)	E-22-1 CONTROL (2)
--------------	--------------------



Ref	Partnumber	Description	GSV190A	Serial Numbers
001	16551-ZM0-010	ARM, GOVERNOR	1	
002	16555-ZOL-800	ROD, GOVERNOR	1	
002	16555-ZOL-800	ROD, GOVERNOR	1	1045261
002	16555-ZOL-801	ROD, GOVERNOR	1	1045262
003	16561-ZM0-000	SPRING, GOVERNOR	1	
003	16561-ZM0-000	SPRING, GOVERNOR	1	
004	16562-ZM0-000	SPRING, THROTTLE RETURN	1	
005	16576-ZE7-300	SPRING, LEVER	1	
006	16580-ZM0-803	BASE COMP., CONTROL	1	
006	16580-ZM0-803	BASE COMP., CONTROL	1	
007	16593-ZM0-000	SPRING, CONTROL LEVER RETURN	1	
008	16617-VG3-000	HOLDER, CABLE	1	
009	16674-ZM0-000	ROD, CHOKE	1	
010	32195-ZM0-800	CORD, STOP SWITCH	1	
011	35120-ZL8-003	SWITCH ASSY., ENGINE STOP (N.O)	1	
012	90015-ZE5-010	BOLT, GOVERNOR ARM	1	
013	90016-ZM0-000	BOLT, FLANGE, 6X45 (CT200)	1	
014	90681-959-003	CLIP A, CABLE (NIFCO) (3.8MM BLACK)	1	
015	93500-050160A	SCREW, PAN, 5X16	1	
016	93892-0401200	SCREW-WASHER, 4X12	1	
017	94050-06000	NUT, FLANGE, 6MM	1	
018	94103-04000	WASHER, PLAIN, 4MM	1	

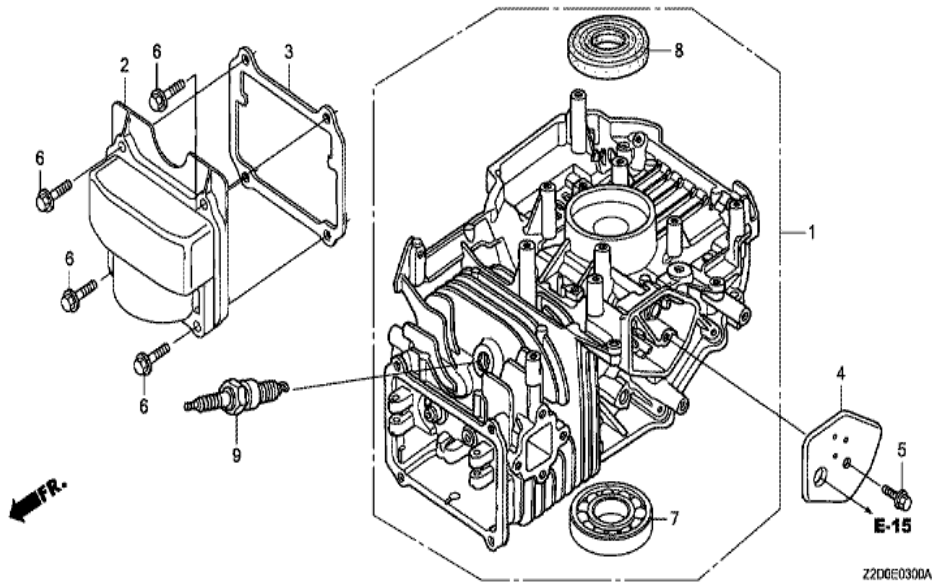
GSV190A(N1U)	E-28 LABEL
--------------	------------



Z2D0E2800G

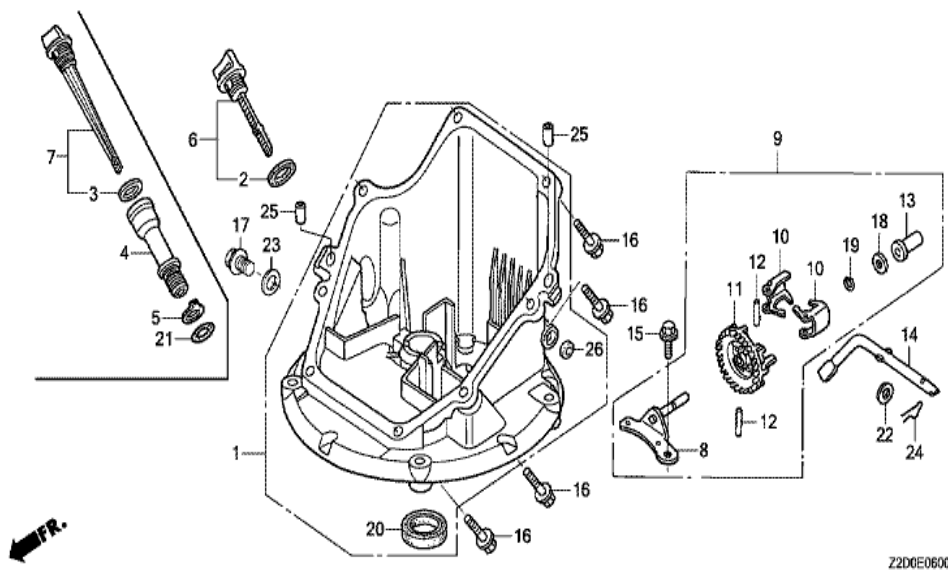
Ref	Partnumber	Description	GSV190A	Serial Numbers
006	87114-ZH7-810	LABEL, WARNING (NOT CERTIFIED FOR SALE)	1	1029656
007	87101-Z2D-010	MARK, EMBLEM (GSV190)	1	1103589
008	87519-Z0J-000	MARK, OPERATOR CAUTION	1	
008	87519-Z0J-000	MARK, OPERATOR CAUTION	1	1068383
010	87101-Z2D-910	MARK, EMBLEM	1	1104543
010	87101-Z8E-000	MARK, EMBLEM (GSV190)	1	1103590 1104542

GSV190A(N1U)	E-3 CYLINDER BARREL
--------------	---------------------



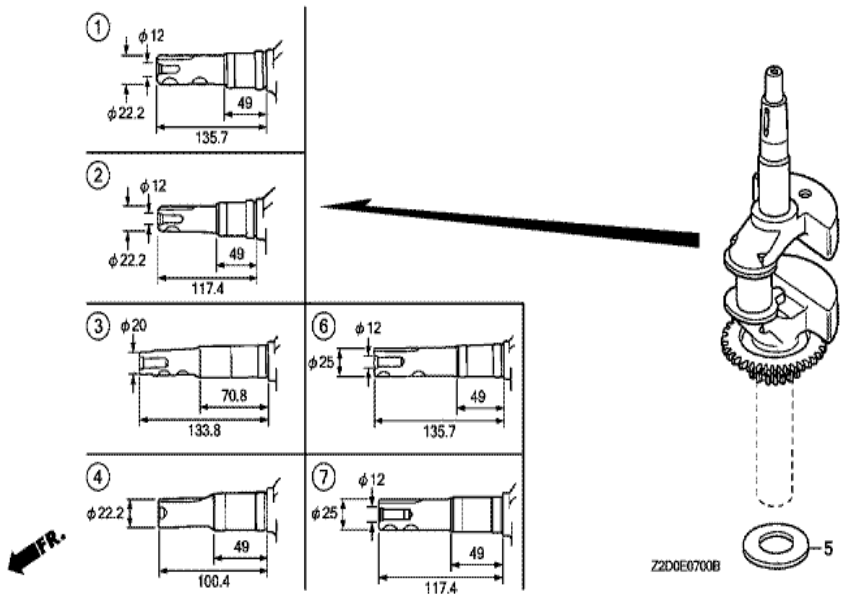
Ref	Partnumber	Description	GSV190A	Serial Numbers
001	12000-Z2C-405	BARREL ASSY., CYLINDER	1	
002	12311-Z2A-000	COVER, CYLINDER HEAD	1	1096079
002	12311-Z8B-000	COVER, HEAD	1	1096080
003	12312-Z2A-000	PACKING, HEAD COVER	1	1096079
004	12355-ZL8-000	COVER COMP., BREATHER	1	
005	90014-952-000	BOLT, FLANGE, 6X14 (CT200)	1	
006	90013-883-000	BOLT, FLANGE, 6X12 (CT200)	4	1096080
006	90121-952-000	BOLT, FLANGE, 6X25 (CT200)	4	1096079
007	91001-894-004	BEARING, RADIAL BALL	1	
008	91201-Z2A-003	OIL SEAL, 25.4X74X6	1	
009	98079-56846	PLUG, SPARK (BPR6ES) (NGK)	1	
009	98079-56846	PLUG, SPARK (BPR6ES) (NGK)	1	

GSV190A(N1U)	E-6 OIL PAN
--------------	-------------



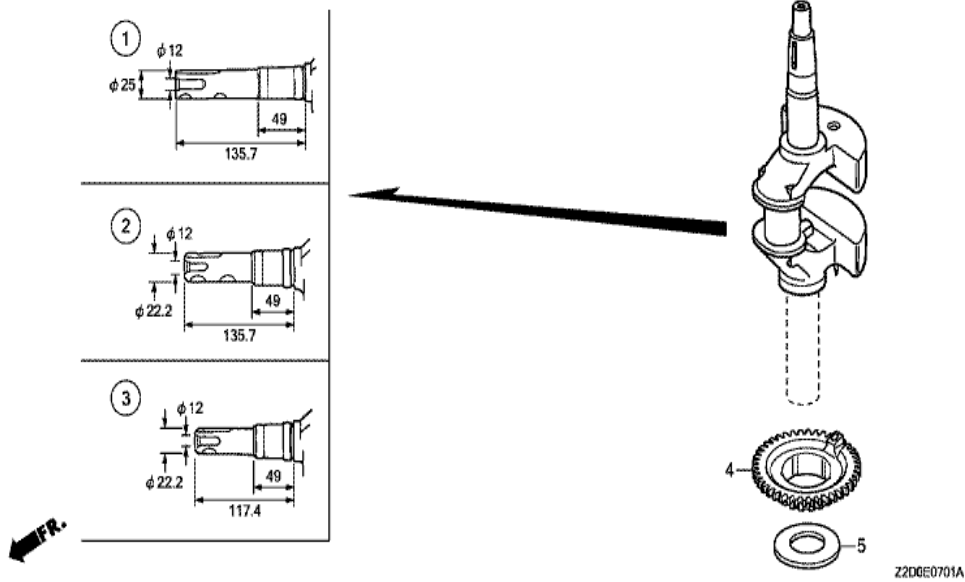
<u>Ref</u>	<u>Partnumber</u>	<u>Description</u>	<u>GSV190A</u>	<u>Serial Numbers</u>
001	11300-ZOY-408	PAN ASSY., OIL	1	
001	11300-ZOY-408	PAN ASSY., OIL	1	1089328
001	11300-ZOY-418	PAN ASSY., OIL	1	1089329
003	15625-ZE6-000	PACKING, OIL FILLER CAP	1	
004	15631-ZM0-000	EXTENSION, OIL FILLER	1	
005	15639-ZM0-000	WASHER, EXTENSION LOCK	1	
007	15650-ZM0-801	GAUGE ASSY., OIL LEVEL	1	
008	16508-ZM0-010	SHAFT COMP., GOVERNOR HOLDER	1	
009	16510-ZM0-010	GOVERNOR ASSY.	1	
010	16511-ZL8-000	WEIGHT, GOVERNOR	2	
011	16512-ZM0-000	HOLDER, GOVERNOR WEIGHT	1	
012	16513-ZE1-000	PIN, GOVERNOR WEIGHT	2	
013	16531-ZE1-000	SLIDER, GOVERNOR	1	
<u>Ref</u>	<u>Partnumber</u>	<u>Description</u>	<u>GSV190A</u>	<u>Serial Numbers</u>
014	16541-ZM0-000	SHAFT, GOVERNOR ARM	1	
014	16541-ZM0-000	SHAFT, GOVERNOR ARM	1	
015	90014-952-000	BOLT, FLANGE, 6X14 (CT200)	1	
016	90121-952-000	BOLT, FLANGE, 6X25 (CT200)	8	
018	90451-ZE1-000	WASHER, THRUST, 6MM	1	
019	90602-ZE1-000	CLIP, GOVERNOR HOLDER	1	
020	91202-ZL8-003	OIL SEAL, 28X41.25X6	1	
021	91303-KF0-003	O-RING, 14.8X2.4 (ARAI)	1	
022	94101-06800	WASHER, PLAIN, 6MM	1	
024	94251-08000	PIN, LOCK, 8MM	1	
025	94301-08200	DOWEL PIN, 8X20	2	
025	94301-08200	DOWEL PIN, 8X20	2	
026	91231-891-003	OIL SEAL, 6X11X4 (ARAI)	1	1089329

GSV190A(N1U)	E-7 CRANKSHAFT (1)
--------------	--------------------



Ref	Partnumber	Description	GSV190A	Serial Numbers
001	13310-Z0Y-000	CRANKSHAFT COMP.	1	1104542
005	90402-ZL8-000	WASHER, THRUST	1	1104542

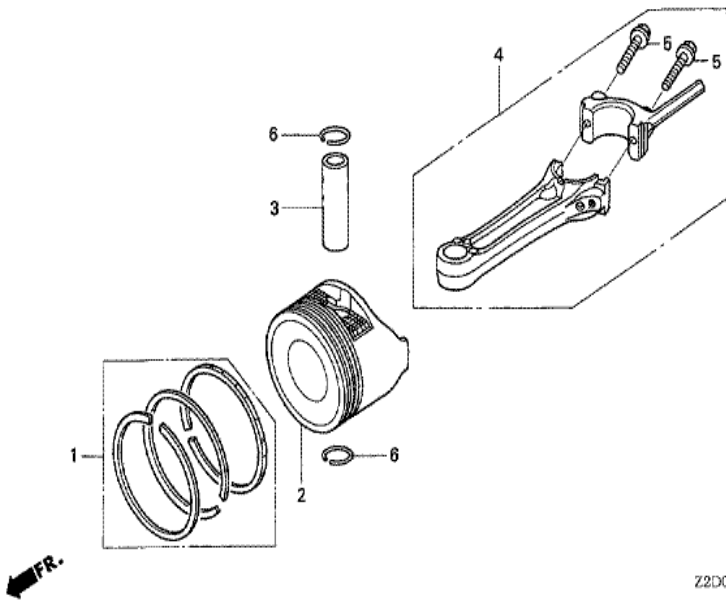
GSV190A(N1U)	E-7-1 CRANKSHAFT (2)
--------------	----------------------



Ref	Partnumber	Description	GSV190A	Serial Numbers
002	13311-Z8D-930	CRANKSHAFT	1	1104543
004	13621-Z8B-900	PULLEY, TIMING BELT DRIVE	1	1104543
005	90402-ZL8-000	WASHER, THRUST	1	1104543



GSV190A(N1U)	E-8 PISTON/CONNECTING ROD
--------------	---------------------------



Ref	Partnumber	Description	GSV190A	Serial Numbers
001	13010-Z2C-004	RING SET, PISTON (STD.) (TEIKOKU)	1	1043047
001	13010-Z2C-014	RING SET, PISTON (STD.) (TEIKOKU)	1	
001	13010-Z2C-014	RING SET, PISTON (STD.) (TEIKOKU)	1	1043048
002	13101-ZOY-000	PISTON	1	1043047
002	13101-ZOY-010	PISTON	1	
002	13101-ZOY-010	PISTON	1	1043048
002	13101-Z8D-820	PISTON	1	1100266
003	13111-ZOY-000	PIN, PISTON	1	
004	13200-ZOY-000	ROD ASSY., CONNECTING	1	
005	90001-ZE1-000	BOLT, CONNECTING ROD	2	
006	90551-ZE0-000	CLIP, PISTON PIN, 13MM	2	