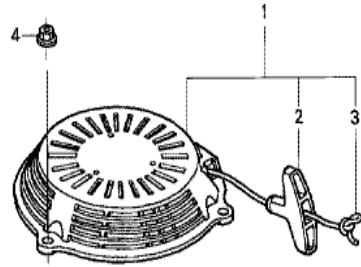


Z2D0E1000A

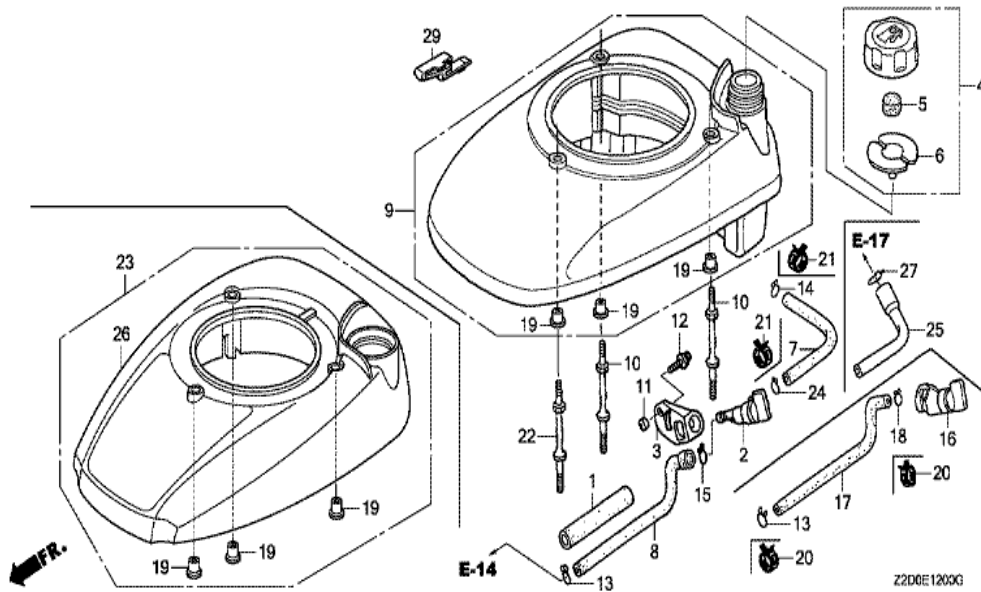
| <u>Ref</u> | <u>Partnumber</u> | <u>Description</u>         | <u>GSV190A</u> | <u>Serial Numbers</u> |
|------------|-------------------|----------------------------|----------------|-----------------------|
| 001        | 12209-ZM0-003     | SEAL, VALVE STEM           | 1              |                       |
| 002        | 14320-Z0Y-000     | PULLEY COMP., CAMSHAFT     | 1              |                       |
| 003        | 14324-ZL8-000     | SHAFT, CAM PULLEY          | 1              |                       |
| 003        | 14324-ZL8-000     | SHAFT, CAM PULLEY          | 1              |                       |
| 004        | 14400-Z0J-014     | BELT, TIMING (84HU7 G-200) | 1              |                       |
| 005        | 14431-Z0J-000     | ARM, IN. VALVE ROCKER      | 1              |                       |
| 005        | 14431-Z0J-000     | ARM, IN. VALVE ROCKER      | 1              |                       |
| 006        | 14441-Z0J-000     | ARM, EX. VALVE ROCKER      | 1              |                       |
| 006        | 14441-Z0J-000     | ARM, EX. VALVE ROCKER      | 1              |                       |
| 007        | 14461-ZL8-000     | SHAFT, ROCKER ARM          | 2              |                       |
| 008        | 14711-Z0J-000     | VALVE, IN. (ROCKNEL)       | 1              | 1024676               |
| 008        | 14711-ZL8-000     | VALVE, IN. (TECHNOSTAR)    | 1              |                       |
| 008        | 14711-ZL8-000     | VALVE, IN. (TECHNOSTAR)    | 1              | 1024677               |
| <u>Ref</u> | <u>Partnumber</u> | <u>Description</u>         | <u>GSV190A</u> | <u>Serial Numbers</u> |
| 009        | 14721-Z8B-000     | VALVE, EX. (C8E)           | 1              |                       |
| 009        | 14721-ZL8-000     | VALVE, EX. (L8E)           | 1              |                       |
| 009        | 14721-ZL8-000     | VALVE, EX. (L8E)           | 1              |                       |
| 010        | 14751-ZL8-000     | SPRING, VALVE              | 2              |                       |
| 011        | 14771-ZE1-000     | RETAINER, IN. VALVE SPRING | 2              |                       |
| 011        | 14771-ZE1-000     | RETAINER, IN. VALVE SPRING | 2              |                       |
| 012        | 90012-333-000     | SCREW, TAPPET ADJUSTING    | 2              |                       |
| 013        | 90206-001-000     | NUT, TAPPET ADJUSTING      | 2              |                       |
| 014        | 91301-ZM0-V31     | O-RING, 6.8X1.9 (ARAI)     | 1              |                       |

FR.



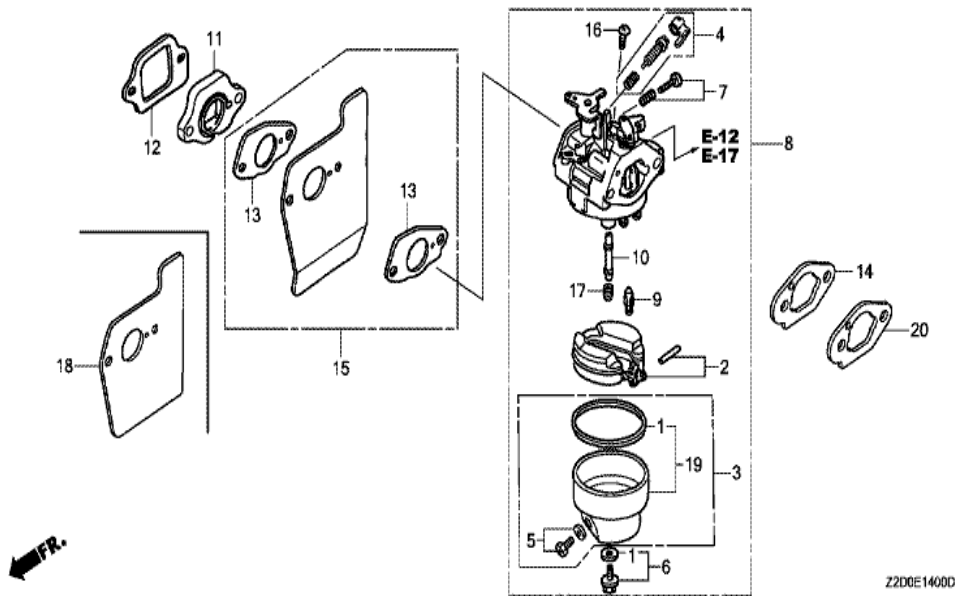
Z2D0-E1100

| Ref | Partnumber      | Description                      | GSV190A | Serial Numbers |
|-----|-----------------|----------------------------------|---------|----------------|
| 001 | 28400-ZOY-013ZA | STARTER ASSY., RECOIL *R280 *    | 1       |                |
| 001 | 28400-ZOY-013ZA | STARTER ASSY., RECOIL *R280 *    | 1       |                |
| 001 | 28400-ZOY-013ZB | STARTER ASSY., RECOIL *NH1 *     | 1       |                |
| 002 | 28461-ZL8-003   | GRIP, STARTER                    | 1       |                |
| 003 | 28462-ZL8-631   | ROPE, RECOIL STARTER (LONG TYPE) | 1       |                |
| 003 | 28462-ZL8-631   | ROPE, RECOIL STARTER (LONG TYPE) | 1       |                |
| 004 | 90201-ZM0-000   | NUT, FLANGE, 6MM                 | 3       |                |



Z2D0E1200G

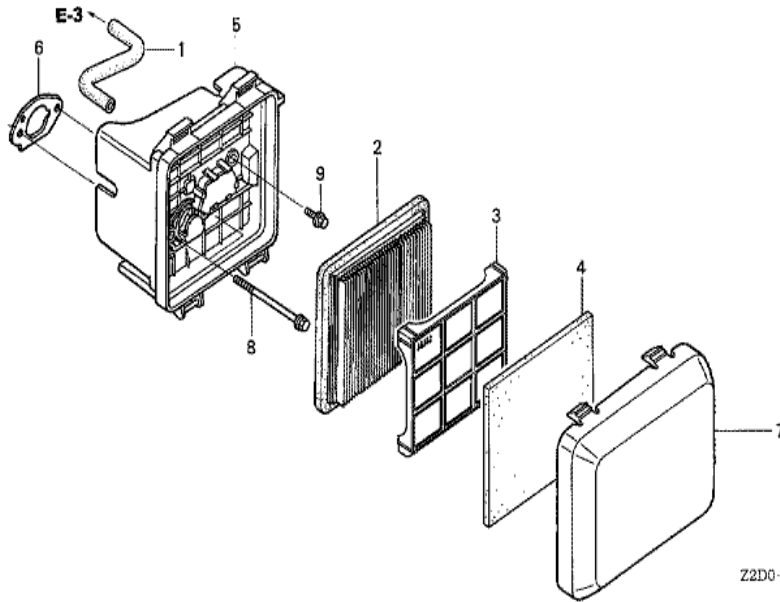
| Ref | Partnumber      | Description               | GSV190A | Serial Numbers |
|-----|-----------------|---------------------------|---------|----------------|
| 001 | 16854-ZH8-000   | RUBBER, SUPPORTER (107MM) | 1       |                |
| 002 | 16950-ZG9-M03   | COCK ASSY., FUEL          | 1       |                |
| 003 | 16956-ZG9-M00   | BRACKET, FUEL COCK        | 1       |                |
| 004 | 17620-ZL8-013   | CAP ASSY., FUEL TANK      | 1       |                |
| 004 | 17620-ZL8-013   | CAP ASSY., FUEL TANK      | 1       |                |
| 005 | 17622-ZL8-003   | SPONGE, FUEL CAP BREATHER | 1       |                |
| 005 | 17622-ZL8-003   | SPONGE, FUEL CAP BREATHER | 1       |                |
| 006 | 17624-ZL8-003   | PACKING, FUEL CAP         | 1       |                |
| 006 | 17624-ZL8-003   | PACKING, FUEL CAP         | 1       |                |
| 007 | 17701-ZOL-000   | TUBE, FUEL TANK           | 1       |                |
| 008 | 17702-ZM0-000   | TUBE, FUEL                | 1       |                |
| 009 | 19610-ZOL-000ZA | COVER COMP., FAN *NH1 *   | 1       |                |
| 009 | 19610-ZOL-000ZD | COVER COMP., FAN *R280 *  | 1       |                |
| Ref | Partnumber      | Description               | GSV190A | Serial Numbers |
| 009 | 19610-ZOL-000ZD | COVER COMP., FAN *R280 *  | 1       |                |
| 010 | 90043-Z8B-000   | BOLT, STUD (FAN COVER)    | 2       | 1093596        |
| 010 | 90043-ZL8-000   | BOLT, STUD (H=42.5MM)     | 3       |                |
| 010 | 90043-ZL8-000   | BOLT, STUD (H=42.5MM)     | 2       | 1093595        |
| 011 | 91501-ZOL-800   | COLLAR, FUEL COCK         | 1       |                |
| 012 | 93891-0501008   | SCREW-WASHER, 5X10        | 1       |                |
| 013 | 95002-02080     | CLIP, TUBE (B8)           | 1       |                |
| 014 | 95002-02100     | CLIP, TUBE (B10)          | 1       |                |
| 015 | 95002-50000     | CLIP, TUBE (C9)           | 1       |                |
| 019 | 19619-ZL8-300   | COLLAR, FAN COVER         | 3       |                |
| 022 | 90043-Z8B-000   | BOLT, STUD (FAN COVER)    | 1       | 1093596        |
| 022 | 90043-ZL8-000   | BOLT, STUD (H=42.5MM)     | 1       | 1093595        |
| 024 | 95002-02100     | CLIP, TUBE (B10)          | 1       |                |



Z2D0E1400D

| Ref | Partnumber    | Description                | GSV190A | Serial Numbers  |
|-----|---------------|----------------------------|---------|-----------------|
| 001 | 16010-883-015 | PACKING SET                | 1       |                 |
| 002 | 16013-ZL1-003 | FLOAT SET                  | 1       |                 |
| 003 | 16015-887-782 | CHAMBER SET, FLOAT         | 1       |                 |
| 003 | 16015-887-782 | CHAMBER SET, FLOAT         | 1       | BB65G A         |
| 004 | 16016-ZG0-W00 | SCREW SET                  | 1       |                 |
| 005 | 16024-ZE1-811 | SCREW SET, DRAIN           | 1       |                 |
| 005 | 16024-ZE1-811 | SCREW SET, DRAIN           | 1       | BB65G A         |
| 006 | 16028-ZE0-005 | SCREW SET                  | 1       |                 |
| 007 | 16029-ZG0-901 | SCREW SET (THROTTLE STOP)  | 1       |                 |
| 008 | 16100-Z2D-003 | CARBURETOR ASSY. (BB62M A) | 1       | 1023643         |
| 008 | 16100-Z2D-003 | CARBURETOR ASSY. (BB62M A) | 1       | 1023643         |
| 008 | 16100-Z2D-013 | CARBURETOR ASSY. (BB62M B) | 1       | 1023644         |
| 008 | 16100-Z2D-013 | CARBURETOR ASSY. (BB62M B) | 1       | 1023644 1041697 |

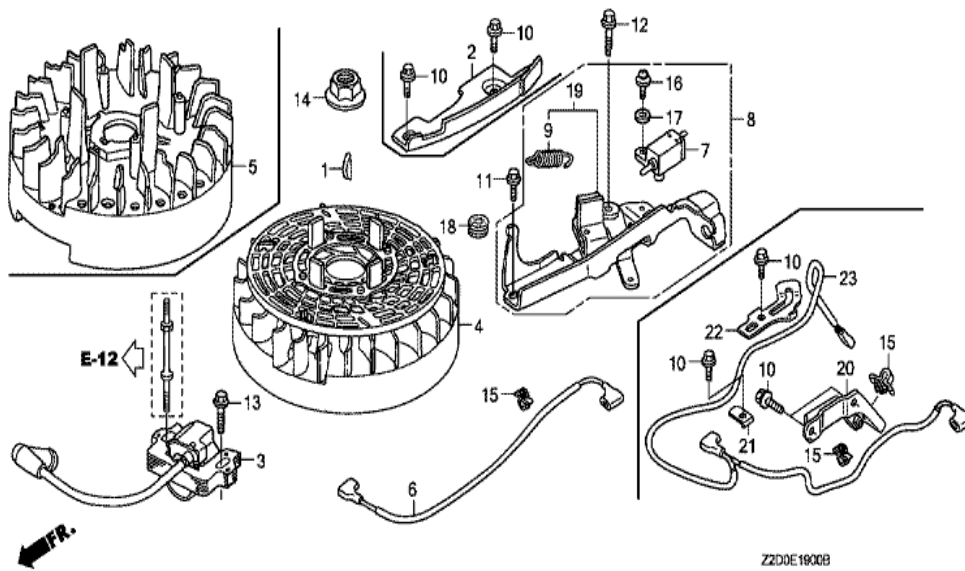
| <u>Ref</u> | <u>Partnumber</u> | <u>Description</u>         | <u>GSV190A</u> | <u>Serial Numbers</u> |
|------------|-------------------|----------------------------|----------------|-----------------------|
| 008        | 16100-Z2D-811     | CARBURETOR ASSY. (BB65G A) | 1              | 1041698               |
| 008        | 16100-Z2D-811     | CARBURETOR ASSY. (BB65G A) | 1              | 1041698 1051984       |
| 008        | 16100-Z2D-812     | CARBURETOR ASSY. (BB65G B) | 1              | 1051985               |
| 009        | 16155-ZM0-003     | VALVE, FLOAT               | 1              | BB62M A               |
| 009        | 16155-ZM0-013     | VALVE, FLOAT               | 1              | BB62M B               |
| 009        | 16155-ZM0-013     | VALVE, FLOAT               | 1              | BB62M B               |
| 010        | 16166-Z0Y-003     | NOZZLE, MAIN               | 1              |                       |
| 011        | 16211-ZL8-000     | INSULATOR, CARBURETOR      | 1              |                       |
| 012        | 16212-ZL8-000     | PACKING, INSULATOR         | 1              |                       |
| 013        | 16221-883-800     | PACKING, CARBURETOR        | 2              | 1045261               |
| 014        | 16228-ZL8-000     | PACKING, CARBURETOR        | 1              |                       |
| 015        | 19650-ZM0-000     | GUIDE COMP., AIR           | 1              | 1045261               |
| 016        | 93500-050061H     | SCREW, PAN, 5X6            | 1              |                       |
| 017        | 99101-1240620     | JET, MAIN, #62             | (1)            |                       |
| 017        | 99101-1240650     | JET, MAIN, #65             | (1)            |                       |
| 017        | 99101-1240650     | JET, MAIN, #65             | (1)            |                       |
| 017        | 99101-1240680     | JET, MAIN, #68             | 1              |                       |
| 017        | 99101-1240680     | JET, MAIN, #68             | 1              |                       |
| 018        | 19651-Z0L-000     | GUIDE, AIR                 | 1              | 1045262               |
| 019        | 16015-Z0L-881     | CHAMBER SET, FLOAT         | 1              |                       |
| 019        | 16015-Z0L-881     | CHAMBER SET, FLOAT         | 1              | BB65G B               |



Z2D0--E1500

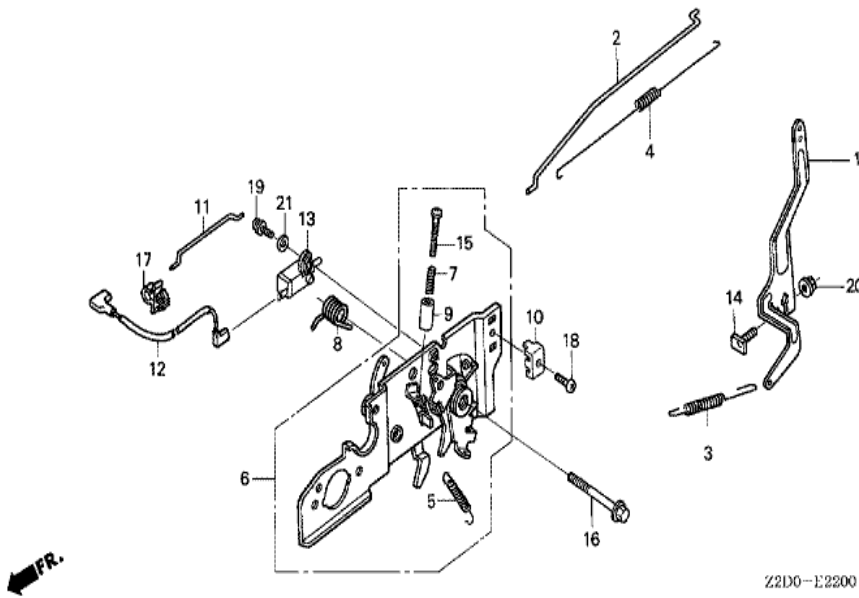
| <u>Ref</u> | <u>Partnumber</u> | <u>Description</u>               | <u>GSV190A</u> | <u>Serial Numbers</u> |
|------------|-------------------|----------------------------------|----------------|-----------------------|
| 001        | 15721-ZM0-000     | TUBE, BREATHER                   | 1              |                       |
| 002        | 17211-ZL8-023     | ELEMENT, AIR CLEANER (TOYO ROKI) | 1              |                       |
| 002        | 17211-ZL8-023     | ELEMENT, AIR CLEANER (TOYO ROKI) | 1              |                       |
| 003        | 17212-Z2A-000     | GRID, AIR CLEANER                | 1              |                       |
| 004        | 17218-Z2A-000     | FILTER, OUTER (WET)              | 1              |                       |
| 005        | 17220-ZM0-000     | CASE ASSY., AIR CLEANER          | 1              |                       |
| 006        | 17228-Z8B-000     | PACKING, AIR CLEANER             | 1              | 1100158               |
| 006        | 17228-ZM0-000     | PACKING, AIR CLEANER             | 1              |                       |
| 006        | 17228-ZM0-000     | PACKING, AIR CLEANER             | 1              | 1100157               |
| 007        | 17231-Z2B-000     | COVER, AIR CLEANER (DUAL)        | 1              |                       |
| 007        | 17231-Z2B-000     | COVER, AIR CLEANER (DUAL)        | 1              | 1068382               |
| 007        | 17231-Z2B-020     | COVER, AIR CLEANER (DUAL)        | 1              | 1068383               |
| 007        | 17231-Z2B-020     | COVER, AIR CLEANER (DUAL)        | 1              | 1068383               |
| <u>Ref</u> | <u>Partnumber</u> | <u>Description</u>               | <u>GSV190A</u> | <u>Serial Numbers</u> |
| 008        | 90003-ZM0-000     | BOLT, FLANGE, 6X86 (CT200)       | 2              | 1045261               |
| 008        | 90003-ZM0-010     | BOLT, FLANGE, 6X85 (CT200)       | 2              | 1045262               |
| 009        | 95701-0601408     | BOLT, FLANGE, 6X14               | 1              |                       |





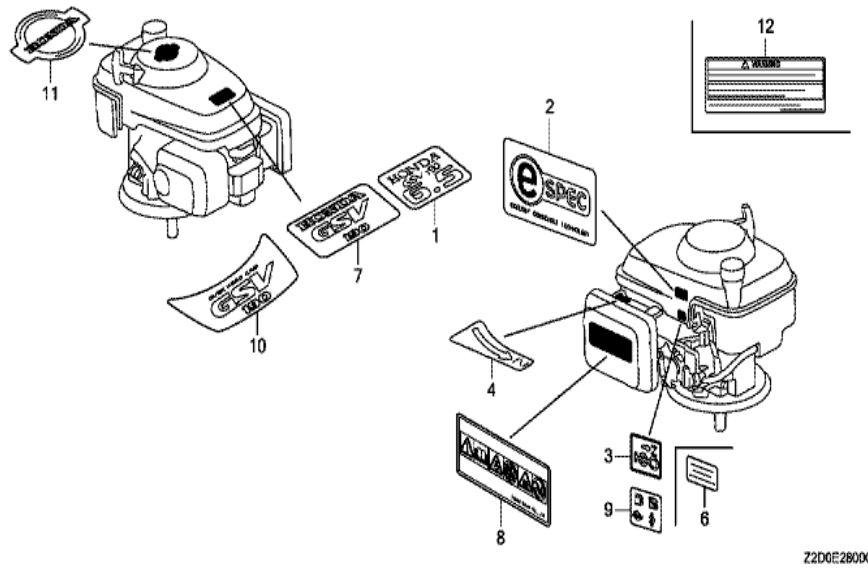
| <u>Ref</u> | <u>Partnumber</u> | <u>Description</u>                       | <u>GSV190A</u> | <u>Serial Numbers</u> |
|------------|-------------------|--|----------------|-----------------------|
| 001        | 13331-357-000     | KEY, SPECIAL WOODRUFF, 25X18             | 1              |                       |
| 003        | 30500-Z0J-003     | COIL ASSY., IGNITION (PHELON) (USE FOR F | 1              |                       |
| 004        | 31105-Z0Y-010     | FLYWHEEL ASSY. (PHELON) (USE FOR IGN. CO | 1              |                       |
| 006        | 32195-Z0L-000     | CORD, STOP SWITCH                        | 1              |                       |
| 007        | 35120-ZM0-003     | SWITCH ASSY., ENGINE STOP (N.C)          | 1              |                       |
| 008        | 75100-ZM0-000     | BRAKE ASSY.                              | 1              |                       |
| 009        | 75113-ZM0-000     | SPRING, BRAKE LEVER                      | 1              |                       |
| 011        | 90014-952-000     | BOLT, FLANGE, 6X14 (CT200)               | 1              |                       |
| 012        | 90018-ZE1-000     | BOLT, FLANGE, 6X23 (CT200)               | 1              |                       |
| 013        | 90022-888-010     | BOLT, FLANGE, 6X20 (CT200)               | 1              |                       |
| 013        | 90022-888-010     | BOLT, FLANGE, 6X20 (CT200)               | 1              |                       |
| 014        | 90213-S3Y-000     | NUT, FLANGE, 14MM                        | 1              |                       |
| 015        | 90681-959-003     | CLIP A, CABLE (NIFCO) (3.8MM BLACK)      | 1              |                       |
| <u>Ref</u> | <u>Partnumber</u> | <u>Description</u>                       | <u>GSV190A</u> | <u>Serial Numbers</u> |
| 015        | 90681-959-003     | CLIP A, CABLE (NIFCO) (3.8MM BLACK)      | 1              |                       |
| 016        | 93892-0401200     | SCREW-WASHER, 4X12                       | 1              |                       |
| 017        | 94103-04000       | WASHER, PLAIN, 4MM                       | 1              |                       |





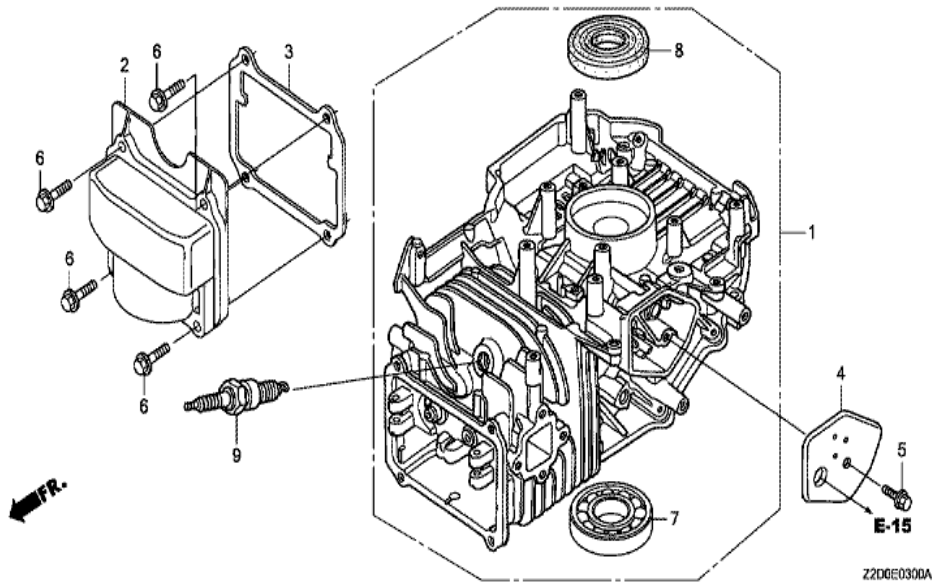
Z2D0-E2200

| <u>Ref</u> | <u>Partnumber</u> | <u>Description</u>         | <u>GSV190A</u> | <u>Serial Numbers</u> |
|------------|-------------------|----------------------------|----------------|-----------------------|
| 001        | 16551-ZM0-010     | ARM, GOVERNOR              | 1              |                       |
| 002        | 16555-Z0L-800     | ROD, GOVERNOR              | 1              | 1045261               |
| 002        | 16555-Z0L-801     | ROD, GOVERNOR              | 1              | 1045262               |
| 003        | 16561-ZM0-870     | SPRING, GOVERNOR           | 1              |                       |
| 004        | 16562-ZM0-000     | SPRING, THROTTLE RETURN    | 1              |                       |
| 005        | 16576-ZE7-300     | SPRING, LEVER              | 1              |                       |
| 006        | 16580-ZM0-871     | BASE COMP., CONTROL        | 1              |                       |
| 007        | 16584-883-300     | SPRING, CONTROL ADJUSTING  | 1              |                       |
| 009        | 16599-ZG1-M10     | COLLAR, STOPPER            | 1              |                       |
| 010        | 16617-VG3-000     | HOLDER, CABLE              | 1              |                       |
| 011        | 16674-ZM0-000     | ROD, CHOKE                 | 1              |                       |
| 014        | 90015-ZE5-010     | BOLT, GOVERNOR ARM         | 1              |                       |
| 015        | 90016-ZE7-W00     | SCREW, RECESSED, 5X28      | 1              |                       |
| <u>Ref</u> | <u>Partnumber</u> | <u>Description</u>         | <u>GSV190A</u> | <u>Serial Numbers</u> |
| 016        | 90016-ZM0-000     | BOLT, FLANGE, 6X45 (CT200) | 1              |                       |
| 018        | 93500-050160A     | SCREW, PAN, 5X16           | 1              |                       |
| 020        | 94050-06000       | NUT, FLANGE, 6MM           | 1              |                       |

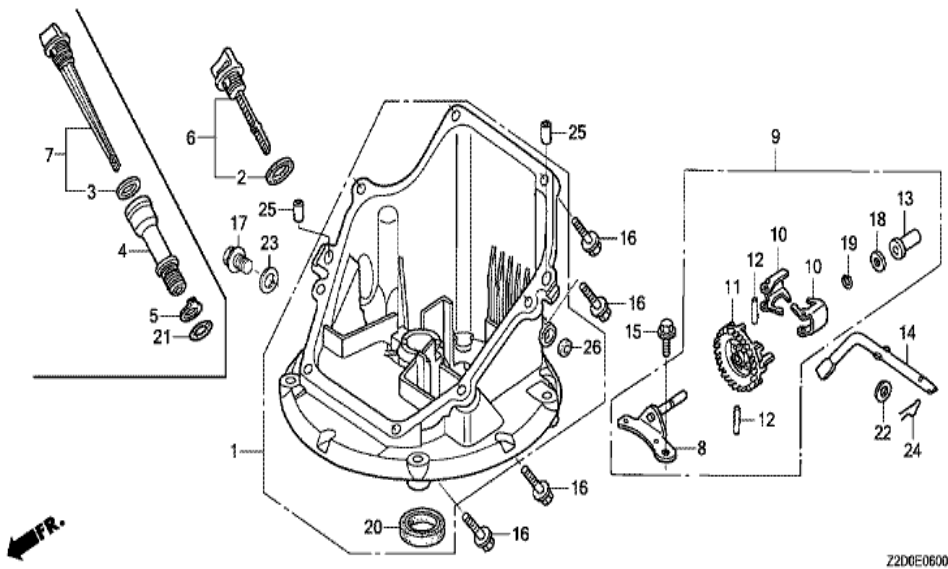


Z2D0E2800G

| Ref | Partnumber    | Description                             | GSV190A | Serial Numbers |
|-----|---------------|---|---------|----------------|
| 006 | 87114-ZH7-840 | LABEL, WARNING (NOT CERTIFIED FOR SALE) | 1       | 1006032        |
| 006 | 87114-ZH7-840 | LABEL, WARNING (NOT CERTIFIED FOR SALE) | 1       | 1006032        |
| 008 | 87519-Z0J-000 | MARK, OPERATOR CAUTION                  | 1       |                |
| 008 | 87519-Z0J-000 | MARK, OPERATOR CAUTION                  | 1       | 1068383        |

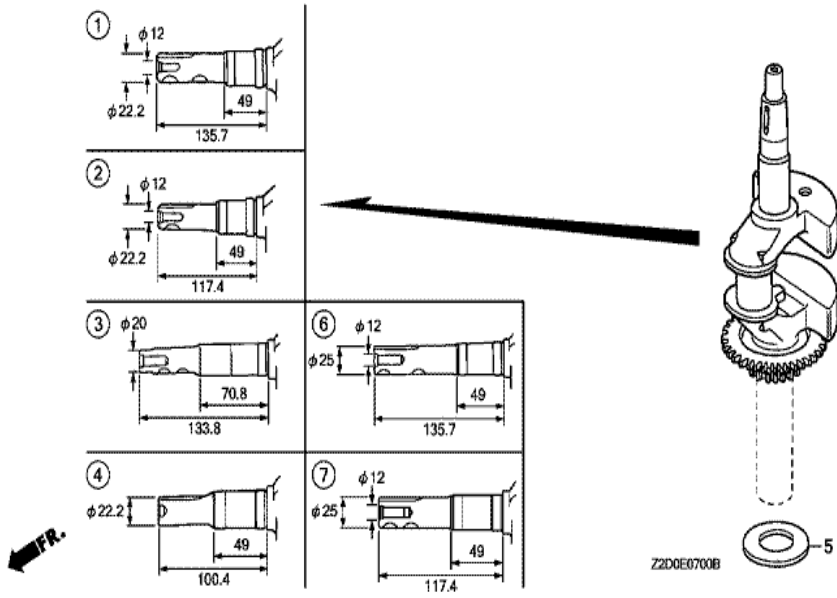


| Ref | Partnumber    | Description                | GSV190A | Serial Numbers |
|-----|---------------|----------------------------|---------|----------------|
| 001 | 12000-Z2C-405 | BARREL ASSY., CYLINDER     | 1       |                |
| 002 | 12311-Z2A-000 | COVER, CYLINDER HEAD       | 1       |                |
| 003 | 12312-Z2A-000 | PACKING, HEAD COVER        | 1       |                |
| 004 | 12355-ZL8-000 | COVER COMP., BREATHER      | 1       |                |
| 005 | 90014-952-000 | BOLT, FLANGE, 6X14 (CT200) | 1       |                |
| 006 | 90121-952-000 | BOLT, FLANGE, 6X25 (CT200) | 4       |                |
| 007 | 91001-894-004 | BEARING, RADIAL BALL       | 1       |                |
| 008 | 91201-Z2A-003 | OIL SEAL, 25.4X74X6        | 1       |                |
| 009 | 98079-56846   | PLUG, SPARK (BPR6ES) (NGK) | 1       |                |
| 009 | 98079-56846   | PLUG, SPARK (BPR6ES) (NGK) | 1       |                |

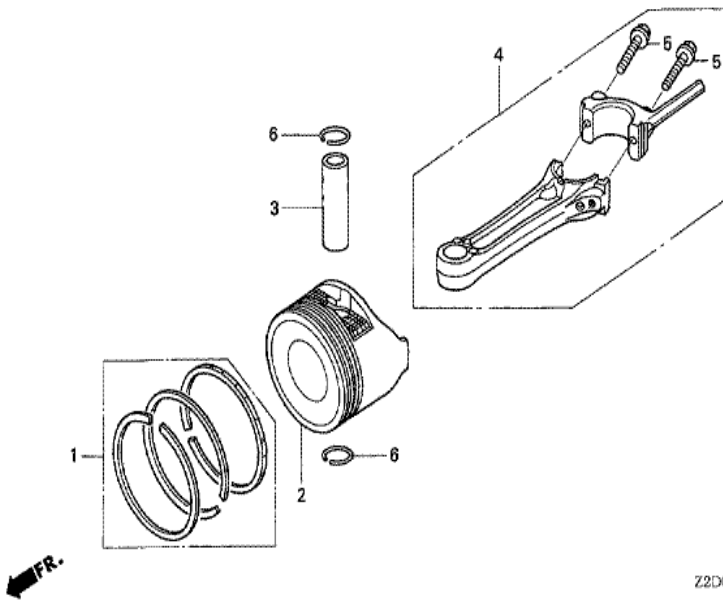


Z2D0E06008

| Ref | Partnumber    | Description                  | GSV190A | Serial Numbers |
|-----|---------------|------------------------------|---------|----------------|
| 001 | 11300-ZOY-406 | PAN ASSY., OIL               | 1       |                |
| 001 | 11300-ZOY-406 | PAN ASSY., OIL               | 1       | 1075153        |
| 001 | 11300-ZM0-405 | PAN ASSY., OIL               | 1       | 1075154        |
| 003 | 15625-ZE6-000 | PACKING, OIL FILLER CAP      | 1       |                |
| 004 | 15631-ZM0-000 | EXTENSION, OIL FILLER        | 1       |                |
| 005 | 15639-ZM0-000 | WASHER, EXTENSION LOCK       | 1       |                |
| 007 | 15650-ZM0-801 | GAUGE ASSY., OIL LEVEL       | 1       |                |
| 008 | 16508-ZM0-010 | SHAFT COMP., GOVERNOR HOLDER | 1       |                |
| 009 | 16510-ZM0-010 | GOVERNOR ASSY.               | 1       |                |
| 010 | 16511-ZL8-000 | WEIGHT, GOVERNOR             | 2       |                |
| 011 | 16512-ZM0-000 | HOLDER, GOVERNOR WEIGHT      | 1       |                |
| 012 | 16513-ZE1-000 | PIN, GOVERNOR WEIGHT         | 2       |                |
| 013 | 16531-ZE1-000 | SLIDER, GOVERNOR             | 1       |                |
| Ref | Partnumber    | Description                  | GSV190A | Serial Numbers |
| 014 | 16541-ZM0-000 | SHAFT, GOVERNOR ARM          | 1       |                |
| 014 | 16541-ZM0-000 | SHAFT, GOVERNOR ARM          | 1       |                |
| 015 | 90014-952-000 | BOLT, FLANGE, 6X14 (CT200)   | 1       |                |
| 016 | 90121-952-000 | BOLT, FLANGE, 6X25 (CT200)   | 8       |                |
| 018 | 90451-ZE1-000 | WASHER, THRUST, 6MM          | 1       |                |
| 019 | 90602-ZE1-000 | CLIP, GOVERNOR HOLDER        | 1       |                |
| 020 | 91202-ZL8-003 | OIL SEAL, 28X41.25X6         | 1       |                |
| 021 | 91303-KF0-003 | O-RING, 14.8X2.4 (ARAI)      | 1       |                |
| 022 | 94101-06800   | WASHER, PLAIN, 6MM           | 1       |                |
| 024 | 94251-08000   | PIN, LOCK, 8MM               | 1       |                |
| 025 | 94301-08200   | DOWEL PIN, 8X20              | 2       |                |
| 025 | 94301-08200   | DOWEL PIN, 8X20              | 2       |                |



| Ref | Partnumber    | Description      | GSV190A | Serial Numbers |
|-----|---------------|------------------|---------|----------------|
| 001 | 13310-Z0Y-000 | CRANKSHAFT COMP. | 1       |                |
| 005 | 90402-ZL8-000 | WASHER, THRUST   | 1       |                |



Z2D0-EG800

| Ref | Partnumber    | Description                       | GSV190A | Serial Numbers |
|-----|---------------|-----------------------------------|---------|----------------|
| 001 | 13010-Z2C-004 | RING SET, PISTON (STD.) (TEIKOKU) | 1       | 1043047        |
| 001 | 13010-Z2C-014 | RING SET, PISTON (STD.) (TEIKOKU) | 1       |                |
| 001 | 13010-Z2C-014 | RING SET, PISTON (STD.) (TEIKOKU) | 1       | 1043048        |
| 002 | 13101-ZOY-000 | PISTON                            | 1       | 1043047        |
| 002 | 13101-ZOY-010 | PISTON                            | 1       |                |
| 002 | 13101-ZOY-010 | PISTON                            | 1       | 1043048        |
| 003 | 13111-ZOY-000 | PIN, PISTON                       | 1       |                |
| 004 | 13200-ZOY-000 | ROD ASSY., CONNECTING             | 1       |                |
| 005 | 90001-ZE1-000 | BOLT, CONNECTING ROD              | 2       |                |
| 006 | 90551-ZE0-000 | CLIP, PISTON PIN, 13MM            | 2       |                |