

TRU-POWER, INC.

Product Line **GENERAL PURPOSE ENGINE**
 Type **A1C**

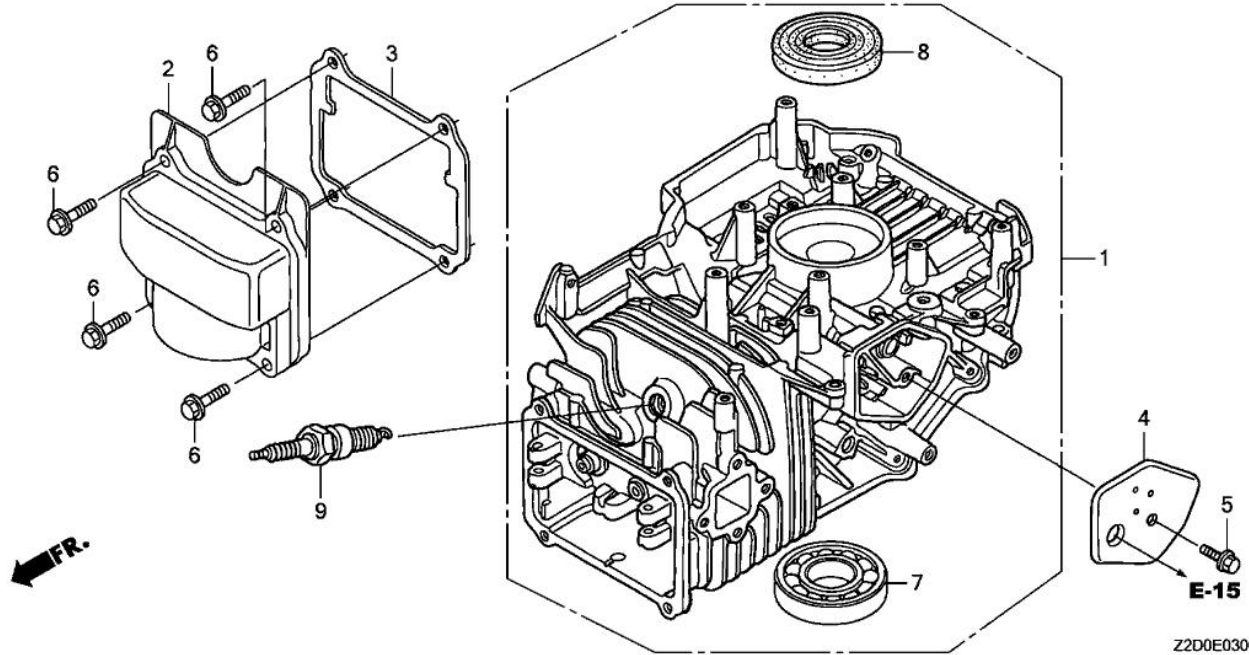
Model Name **GSV190A**

Mfg

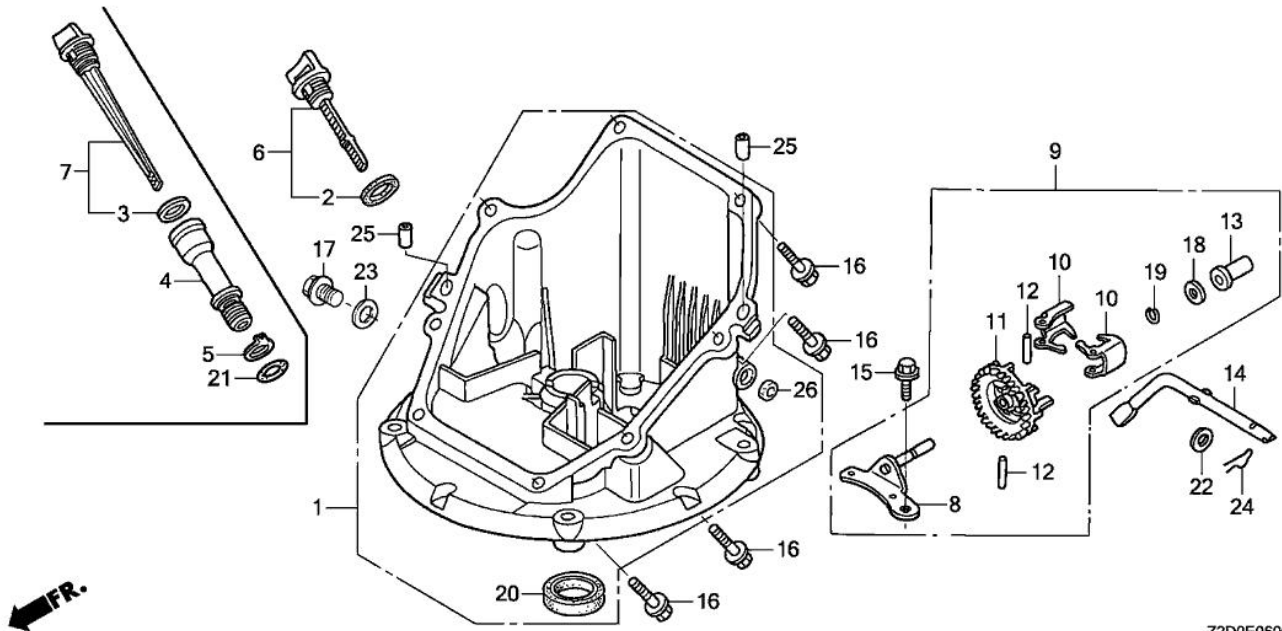
Section **ENGINE**

Illustration

CYLINDER BARREL

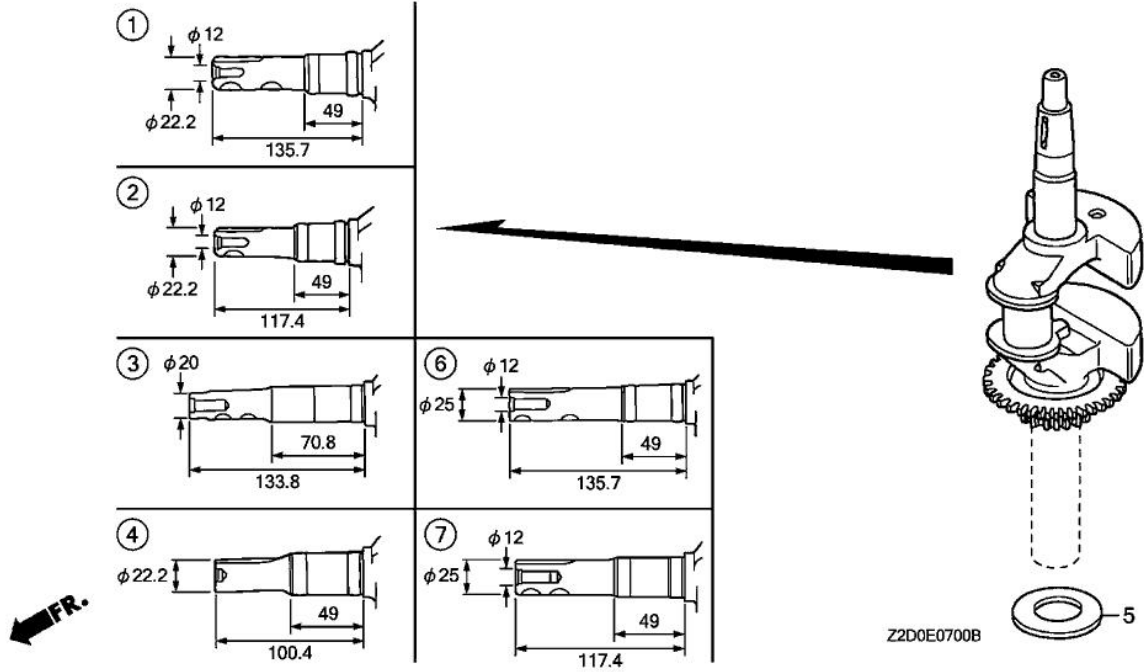


| Ref. | Part Number | Part Description | Qty. |
|------|---------------|---|------|
| 001 | 12000-Z2C-000 | CYLINDERASSY. | 001 |
| 002 | 12311-Z2A-000 | COVER, CYLINDER HEAD | 001 |
| 003 | 12312-Z2A-000 | GASKET, HEAD COVER | 001 |
| 004 | 12355-ZL8-000 | COVER, BREATHER (BREATHER VALVE ASSY.) | 001 |
| 005 | 90014-952-000 | BOLT, FLANGE (6X14) (CT200) | 001 |
| 006 | 90121-952-000 | BOLT, FLANGE (6X25) (CT200) | 004 |
| 007 | 91001-894-004 | BEARING, RADIAL BALL | 001 |
| 008 | 91201-Z2A-003 | OIL SEAL (25.4X74X6) | 001 |
| 009 | 98079-56846 | SPARK PLUG (BPR6ES) (NGK) | 001 |

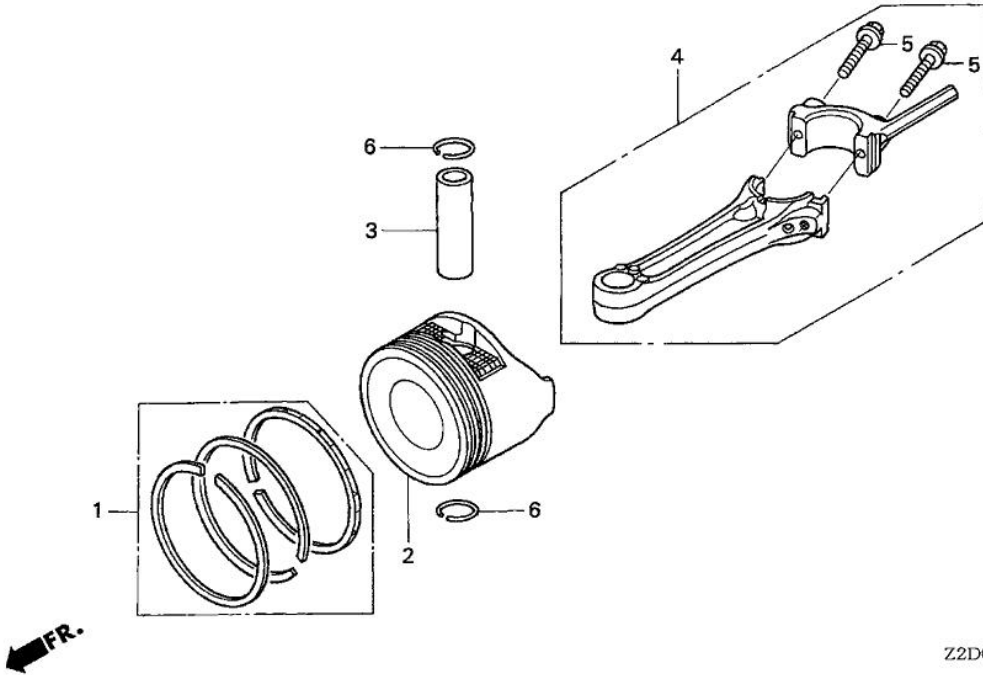


Z2D0E0600B

| Ref. | Part Number | Part Description | Qty. |
|------|---------------|-----------------------------|------|
| 001 | 11300-Z2D-V10 | PAN ASSY., OIL | 001 |
| 001 | 11300-Z2D-V11 | PAN ASSY, OIL | 001 |
| 002 | 15625-Z2L-801 | GASKET, OIL FILLER CAP | 001 |
| 006 | 15650-Z0L-000 | GAUGE ASSY., OIL LEVEL | 001 |
| 008 | 16508-ZM0-010 | SHAFT, GOVERNOR HOLDER | 001 |
| 009 | 16510-ZM0-010 | GOVERNOR ASSY. | 001 |
| 010 | 16511-ZL8-000 | WEIGHT, GOVERNOR | 002 |
| 011 | 16512-ZM0-000 | HOLDER, GOVERNOR WEIGHT | 001 |
| 012 | 16513-ZE1-000 | PIN, GOVERNOR WEIGHT | 002 |
| 013 | 16531-ZE1-000 | SLIDER, GOVERNOR | 001 |
| 014 | 16541-ZM0-000 | SHAFT, GOVERNOR ARM | 001 |
| 015 | 90014-952-000 | BOLT, FLANGE (6X14) (CT200) | 001 |
| 016 | 90121-952-000 | BOLT, FLANGE (6X25) (CT200) | 008 |
| 018 | 90451-ZE1-000 | WASHER, THRUST (6MM) | 001 |
| 019 | 90602-ZE1-000 | CLIP, GOVERNOR HOLDER | 001 |
| 020 | 91202-ZL8-003 | OIL SEAL (28X41.25X6) | 001 |
| 022 | 94101-06800 | WASHER, PLAIN (6MM) | 001 |
| 024 | 94251-08000 | PIN, LOCK (8MM) | 001 |
| 025 | 94301-08200 | PIN, DOWEL (8X20) | 002 |

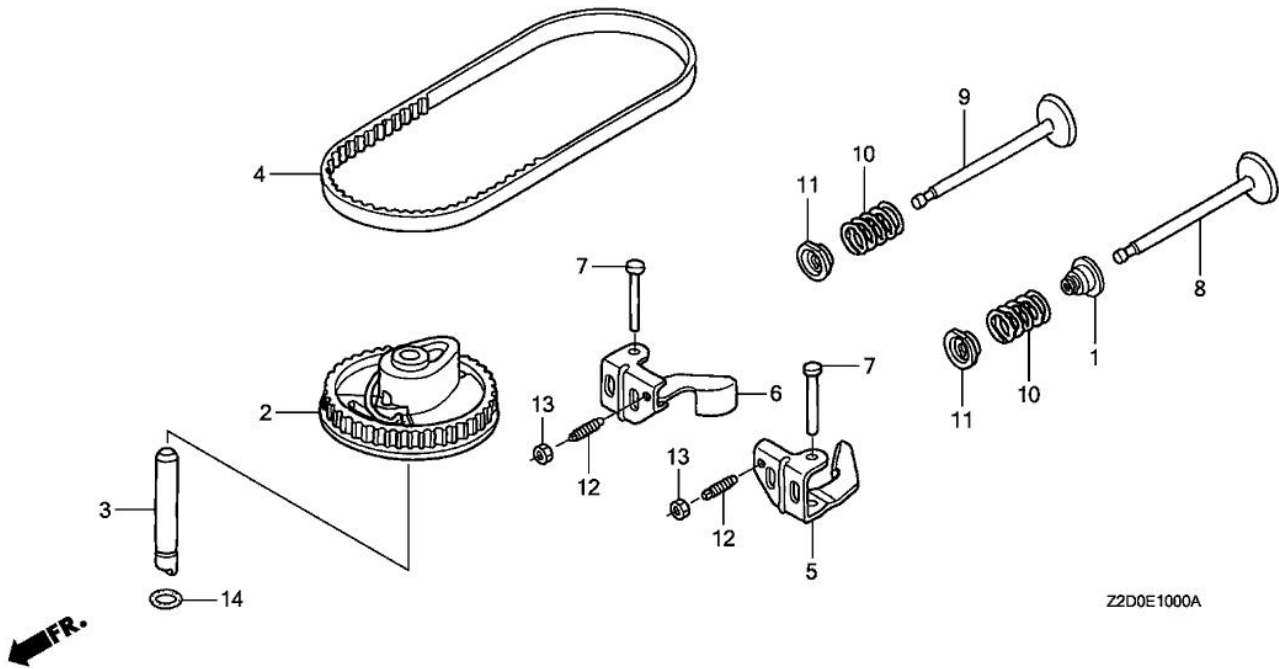


| Ref. | Part Number | Part Description | Qty. |
|------|---------------|------------------|------|
| 001 | 13310-Z0Y-000 | CRANKSHAFT | 001 |
| 005 | 90402-ZL8-000 | WASHER, THRUST | 001 |



Z2D0 - E0800

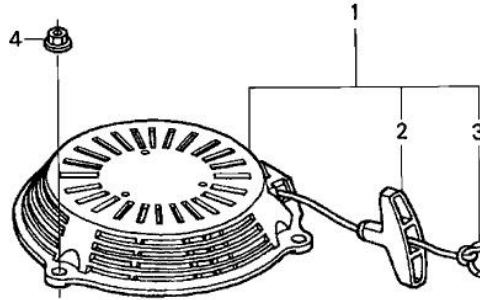
| Ref. | Part Number | Part Description | Qty. |
|------|---------------|----------------------------------|------|
| 001 | 13010-Z2C-004 | RING SET, PISTON (STD) (TEIKOKU) | 001 |
| 001 | 13010-Z2C-014 | RING SET, PISTON (STD) (TEIKOKU) | 001 |
| 002 | 13101-Z0Y-000 | PISTON | 001 |
| 002 | 13101-Z8D-820 | PISTON | 001 |
| 003 | 13111-Z0Y-000 | PIN, PISTON | 001 |
| 004 | 13200-Z0Y-000 | ROD ASSY., CONNECTING | 001 |
| 004 | 13200-Z0Y-010 | ROD ASSY., CONNECTING | 001 |
| 005 | 90001-ZE1-000 | BOLT, CONNECTING ROD | 002 |
| 006 | 90551-ZE0-000 | CLIP, PISTON PIN (13MM) | 002 |



Z2D0E1000A

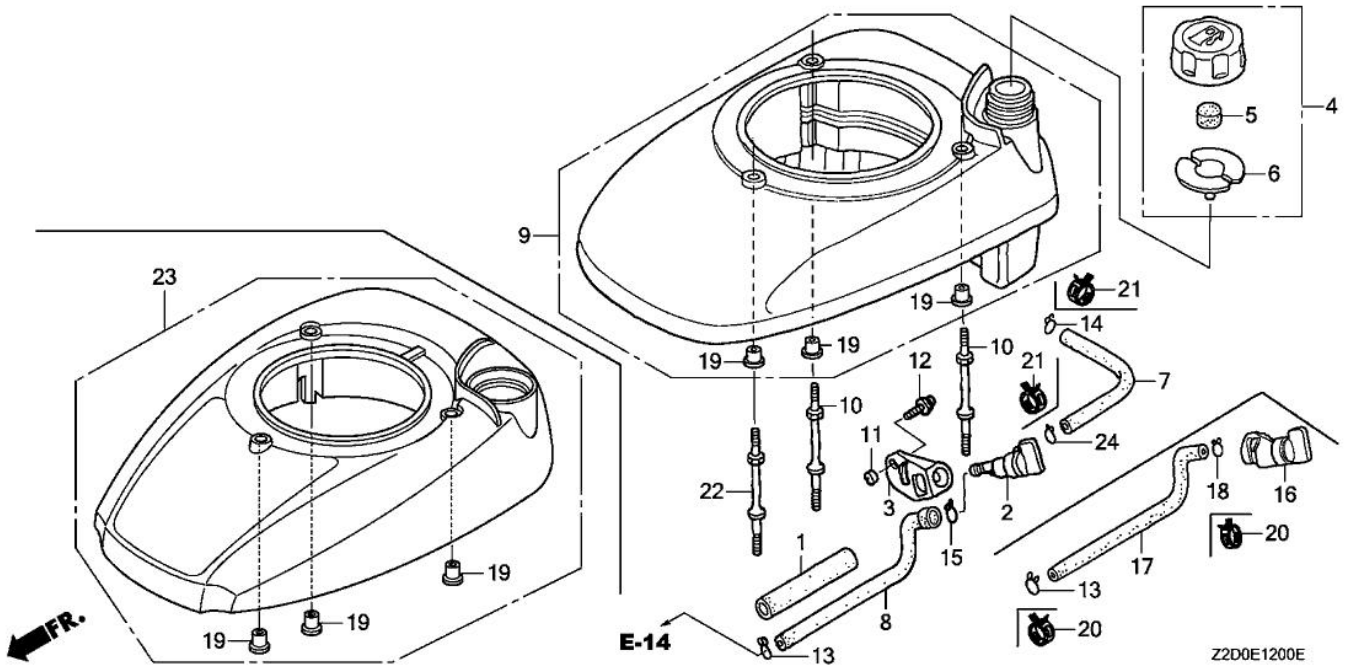
| Ref. | Part Number | Part Description | Qty. |
|------|---------------|----------------------------|------|
| 001 | 12209-ZM0-003 | SEAL, VALVE STEM | 001 |
| 002 | 14320-Z0Y-000 | PULLEY, CAMSHAFT | 001 |
| 002 | 14320-Z8D-000 | PULLEY, CAMSHAFT | 001 |
| 003 | 14324-ZL8-000 | SHAFT, CAM PULLEY | 001 |
| 004 | 14400-Z0J-014 | BELT, TIMING (84HU7 G-200) | 001 |
| 004 | 14400-Z8B-003 | BELT, TIMING (84HU6 G-200) | 001 |
| 005 | 14431-Z0J-000 | ARM, IN. VALVE ROCKER | 001 |
| 006 | 14441-Z0J-000 | ARM, EX. VALVE ROCKER | 001 |
| 007 | 14461-ZL8-000 | SHAFT, ROCKER ARM | 002 |
| 008 | 14711-Z0J-000 | VALVE, IN. (ROCKNEL) | 001 |
| 008 | 14711-ZL8-000 | VALVE, IN. (TECHNOSTAR) | 001 |
| 009 | 14721-ZL8-000 | VALVE, EX. (L8E) | 001 |
| 009 | 14721-Z8B-000 | VALVE, EX. (C8E) | 001 |
| 010 | 14751-ZL8-000 | SPRING, VALVE | 002 |
| 011 | 14771-ZE1-000 | RETAINER, IN. VALVE SPRING | 002 |
| 012 | 90012-333-000 | SCREW, TAPPET ADJUSTING | 002 |
| 013 | 90206-001-000 | NUT, TAPPET ADJUSTING | 002 |
| 014 | 91301-ZM0-V31 | O-RING (6.8X1.9) (ARAI) | 001 |

FR.

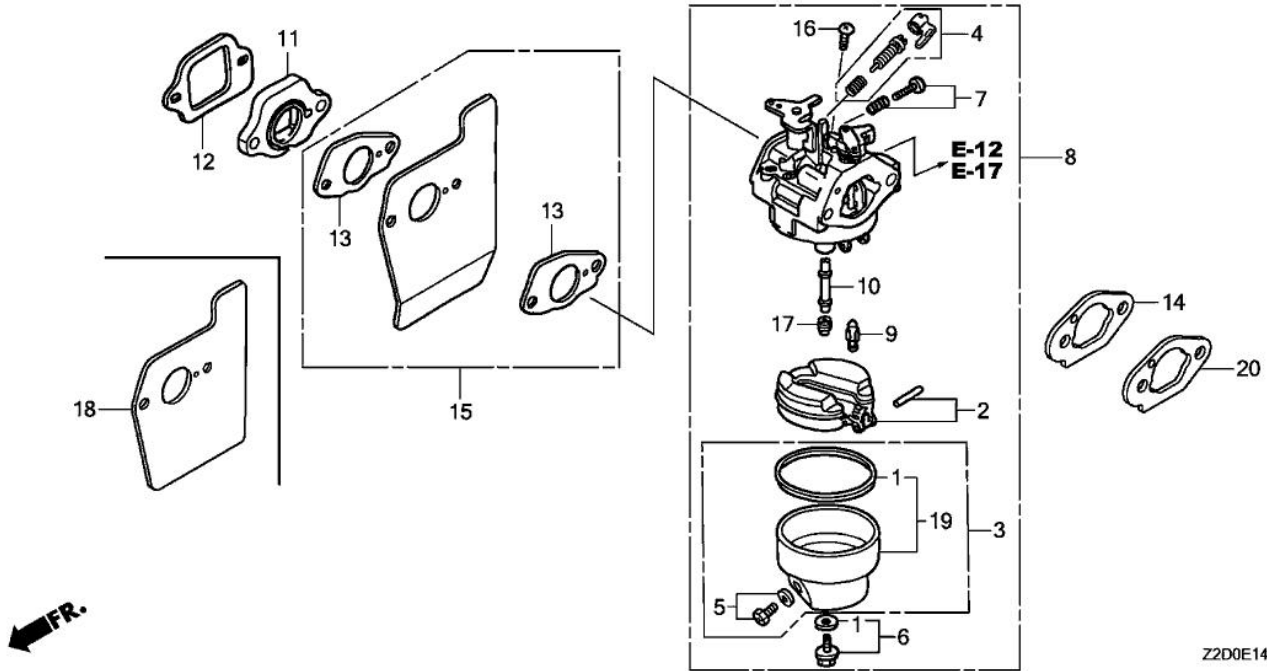


Z2D0-E1100

| Ref. | Part Number | Part Description | Qty. |
|------|-----------------|---|------|
| 001 | 28400-Z0Y-013ZA | STARTER ASSY., RECOIL *R280*(POWER RED) | 001 |
| 001 | 28400-Z0Y-013ZB | STARTER ASSY., RECOIL *NH1*(BLACK) | 001 |
| 002 | 28461-ZL8-003 | GRIP, STARTER | 001 |
| 003 | 28462-ZL8-631 | ROPE, RECOIL STARTER (LONG TYPE) | 001 |
| 004 | 90201-ZM0-000 | NUT, FLANGE (6MM) | 003 |

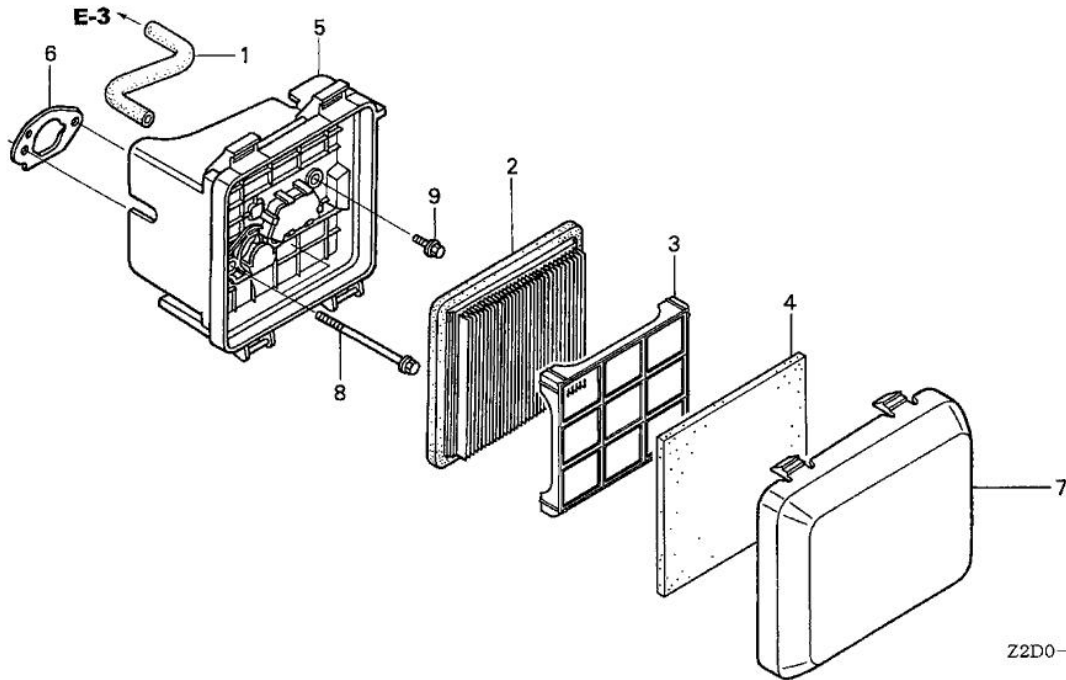


| Ref. | Part Number | Part Description | Qty. |
|------|-----------------|------------------------------|------|
| 001 | 16854-ZH8-000 | RUBBER, SUPPORTER (107MM) | 001 |
| 002 | 04103-Z0L-000 | KIT FUEL COCK TUBE | 001 |
| 003 | 16956-ZG9-M00 | BRACKET, PETCOCK | 001 |
| 003 | 16956-ZM0-000 | BRACKET, PETCOCK | 001 |
| 004 | 17620-ZL8-013 | CAP ASSY., FUEL TANK | 001 |
| 004 | 17620-ZL8-023 | CAP ASSY., FUEL TANK | 001 |
| 005 | 17622-ZL8-003 | SPONGE, FUEL CAP BREATHER | 001 |
| 006 | 17624-ZL8-013 | GASKET, FUEL CAP | 001 |
| 007 | 17701-Z0L-000 | TUBE, FUEL TANK | 001 |
| 008 | 17702-ZM0-000 | TUBE, FUEL | 001 |
| 009 | 19610-Z0L-000ZA | COVER, FAN *NH1*(BLACK) | 001 |
| 009 | 19610-Z0L-000ZD | COVER, FAN *R280*(POWER RED) | 001 |
| 010 | 90043-ZL8-000 | BOLT, STUD (H=42.5MM) | 002 |
| 011 | 91501-Z0L-800 | COLLAR, FUEL PETCOCK | 001 |
| 012 | 93891-05010-08 | SCREW-WASHER (5X10) | 001 |
| 013 | 95002-02080 | CLIP, TUBE (B8) | 001 |
| 014 | 95002-02100 | CLIP, TUBE (B10) | 001 |
| 015 | 95002-50000 | CLIP, TUBE (C9) | 001 |
| 019 | 19619-ZL8-300 | COLLAR, FAN COVER | 003 |
| 022 | 90043-ZL8-000 | BOLT, STUD (H=42.5MM) | 001 |
| 024 | 95002-02100 | CLIP, TUBE (B10) | 001 |



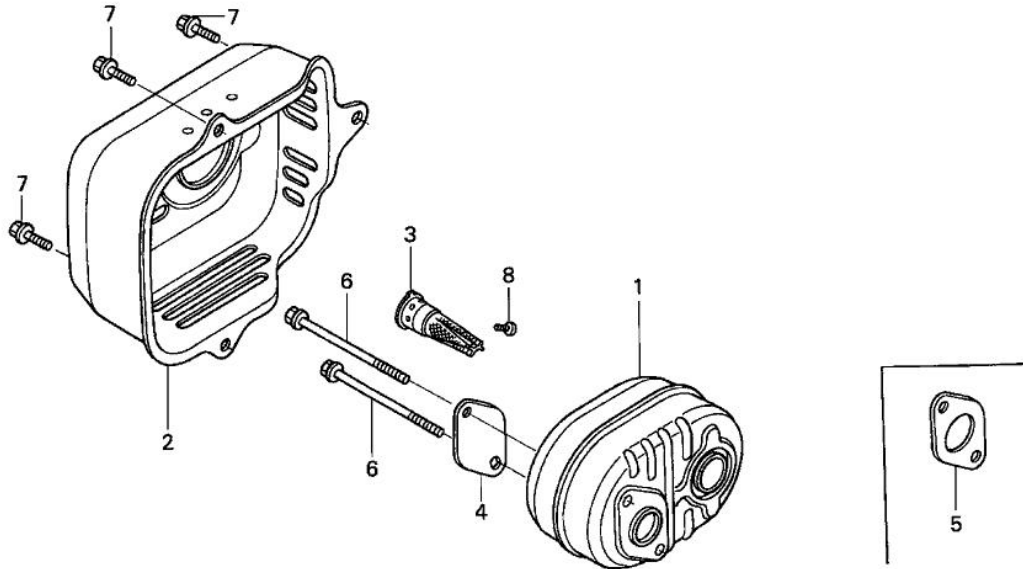
Z2D0E1400D

| Ref. | Part Number | Part Description | Qty. |
|------|----------------|--|------|
| 001 | 16010-883-015 | GASKET SET | 001 |
| 002 | 16013-ZL1-003 | FLOAT SET | 001 |
| 003 | 16015-887-782 | CHAMBER SET, FLOAT (CARBURETOR NO.) | 001 |
| 004 | 16016-ZG0-W00 | SCREW SET (CARBURETOR NO.) | 001 |
| 005 | 16024-ZE1-811 | SCREW SET, DRAIN (CARBURETOR NO.) | 001 |
| 006 | 16028-ZE0-005 | SCREW SET | 001 |
| 006 | 16028-ZK7-S91 | SCREW SET | 001 |
| 007 | 16029-ZG0-901 | SCREW SET (THROTTLE STOP) (CARBURETOR NO.) | 001 |
| 008 | 16100-Z2D-813 | CARBURETOR ASSY. (BB65G C) | 001 |
| 009 | 16155-ZM0-003 | VALVE, FLOAT (CARBURETOR NO.) | 001 |
| 009 | 16155-ZM0-013 | VALVE, FLOAT (CARBURETOR NO.) | 001 |
| 010 | 16166-Z0Y-003 | NOZZLE, MAIN | 001 |
| 011 | 16211-ZL8-000 | INSULATOR, CARBURETOR | 001 |
| 012 | 16212-ZL8-000 | GASKET, INSULATOR | 001 |
| 013 | 16221-883-800 | GASKET, CARBURETOR | 002 |
| 014 | 16228-ZL8-000 | GASKET, CARBURETOR | 001 |
| 015 | 19650-ZM0-000 | GUIDE, AIR | 001 |
| 016 | 93500-05006-0H | SCREW, PAN (5X6) | 001 |
| 017 | 99101-124-0620 | JET, MAIN (#62) | 001 |
| 017 | 99101-124-0650 | JET, MAIN (#65) | (1) |
| 017 | 99101-124-0680 | JET, MAIN (#68) | 001 |



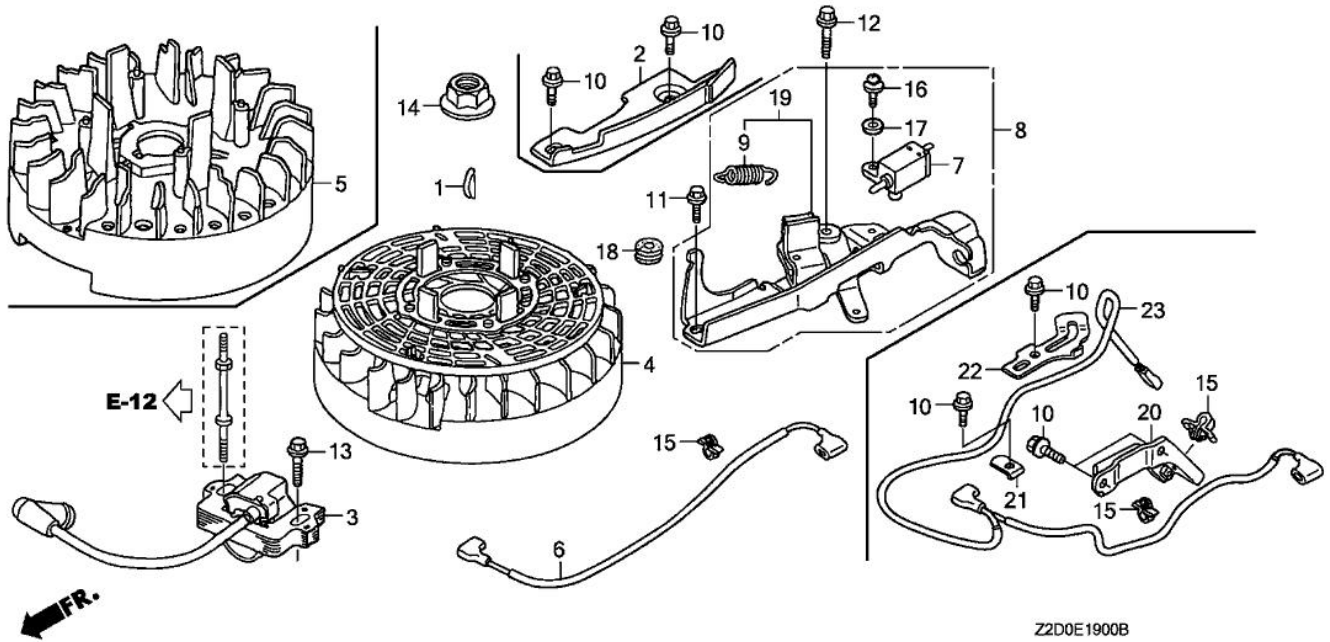
Z2D0-E1500

| Ref. | Part Number | Part Description | Qty. |
|------|----------------|----------------------------------|------|
| 001 | 15721-ZM0-000 | TUBE, BREATHER | 001 |
| 002 | 17211-ZL8-023 | ELEMENT, AIR CLEANER (TOYO ROKI) | 001 |
| 003 | 17212-Z2A-010 | GRID, AIR CLEANER | 001 |
| 004 | 17218-Z2A-000 | FILTER (OUTER) (WET) | 001 |
| 005 | 17220-ZM0-000 | CASE ASSY., AIR CLEANER | 001 |
| 005 | 17220-ZM0-010 | CASE ASSY., AIR CLEANER | 001 |
| 005 | 17220-ZM0-020 | CASE ASSY., AIR CLEANER | 001 |
| 006 | 17228-ZM0-000 | GASKET, AIR CLEANER | 001 |
| 007 | 17231-Z2B-020 | COVER, AIR CLEANER (DUAL) | 001 |
| 008 | 90003-ZM0-010 | BOLT, FLANGE (6X85) (CT200) | 002 |
| 009 | 95701-06014-08 | BOLT, FLANGE (6X14) | 001 |

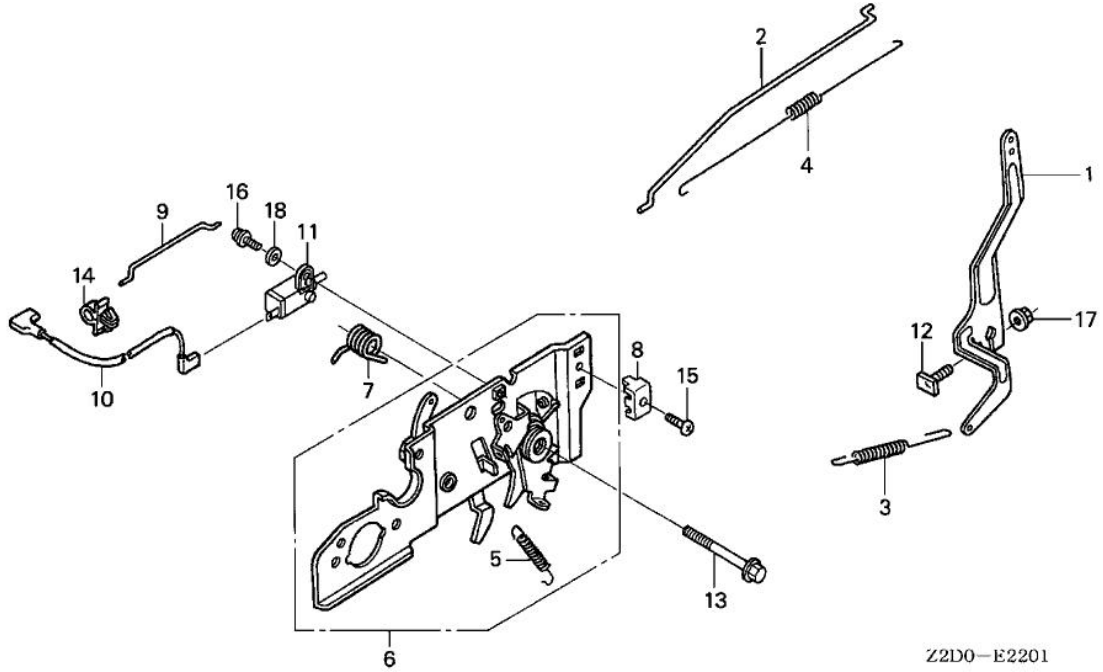


Z2D0-E1600

| Ref. | Part Number | Part Description | Qty. |
|------|---------------|-----------------------------|------|
| 001 | 18310-Z0Y-000 | MUFFLER | 001 |
| 002 | 18321-Z0L-010 | PROTECTOR, MUFFLER | 001 |
| 003 | 18350-ZL8-000 | ARRESTER, SPARK | (1) |
| 004 | 18356-ZL8-000 | PLATE, ARRESTER NUMBER | (1) |
| 005 | 18381-ZL8-305 | GASKET, MUFFLER | (1) |
| 006 | 90004-ZL8-000 | BOLT, FLANGE (6X79) (CT200) | 002 |
| 007 | 90013-883-000 | BOLT, FLANGE (6X12) (CT200) | 003 |
| 008 | 90055-ZE1-000 | SCREW, TAPPING (4X6) | (1) |



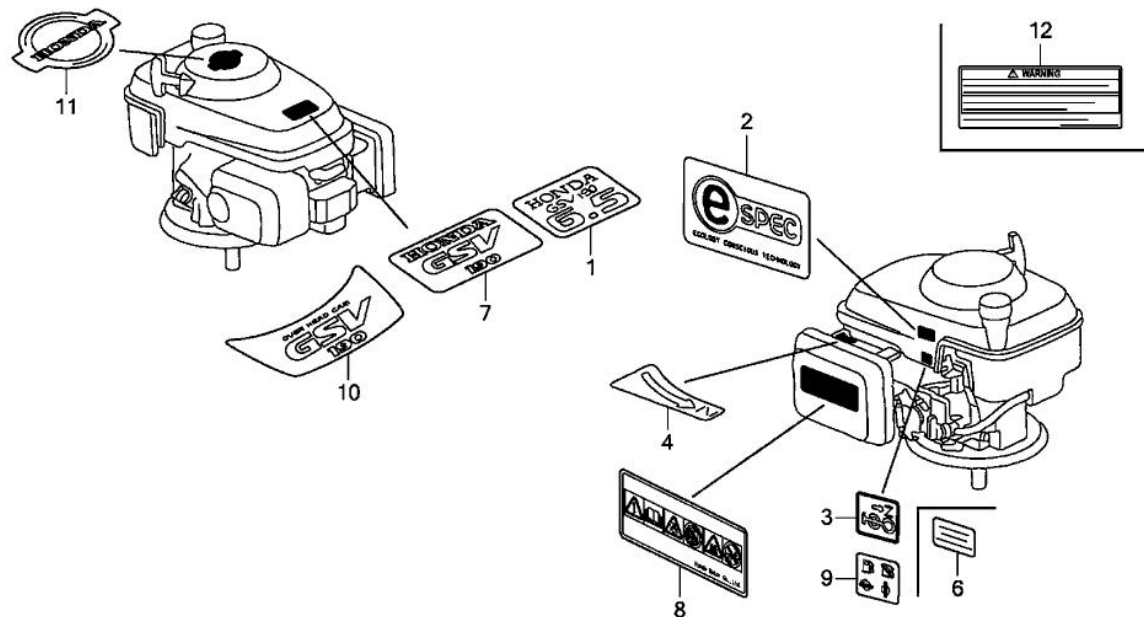
| Ref. | Part Number | Part Description | Qty. |
|------|----------------|---|------|
| 001 | 13331-357-000 | KEY, SPECIAL WOODRUFF (25X18) | 001 |
| 003 | 30500-Z0J-003 | COIL ASSY., IGNITION (PHELON) (USE FOR F/W OF PHELON) | 001 |
| 003 | 30500-Z8B-901 | COIL ASSY., IGNITION (PHELON) | 001 |
| 004 | 31105-Z0Y-010 | FLYWHEEL ASSY. (PHELON) (USE FOR IGN. COIL OF PHELON) | 001 |
| 006 | 32195-Z0L-000 | WIRE, STOP SWITCH | 001 |
| 007 | 35120-ZM0-003 | SWITCH ASSY., ENGINE STOP (N.C) | 001 |
| 008 | 75100-Z0L-900 | BRAKE ASSY. | 001 |
| 008 | 75100-Z8B-900 | BRAKE ASSY. | 001 |
| 008 | 75100-Z0L-901 | BRAKE ASSY. | 001 |
| 009 | 75113-ZM0-000 | SPRING, BRAKE LEVER | 001 |
| 011 | 90014-952-000 | BOLT, FLANGE (6X14) (CT200) | 001 |
| 012 | 90018-ZE1-000 | BOLT, FLANGE (6X23) (CT200) | 001 |
| 013 | 90022-888-010 | BOLT, FLANGE (6X20) (CT200) | 001 |
| 014 | 90213-S3Y-000 | NUT, FLANGE (14MM) | 001 |
| 015 | 90681-959-003 | CLIP A, CABLE (3.8MM BLACK) (NIFCO) | 001 |
| 016 | 93892-04012-00 | SCREW-WASHER (4X12) | 001 |
| 017 | 94103-04000 | WASHER, PLAIN (4MM) | 001 |



FR.

Z2D0-E2201

| Ref. | Part Number | Part Description | Qty. |
|------|----------------|-----------------------------|------|
| 001 | 16551-ZM0-010 | ARM, GOVERNOR | 001 |
| 002 | 16555-Z0L-800 | ROD, GOVERNOR | 001 |
| 002 | 16555-Z0L-801 | ROD, GOVERNOR | 001 |
| 003 | 16561-ZM0-000 | SPRING, GOVERNOR | 001 |
| 004 | 16562-ZM0-000 | SPRING, THROTTLE RETURN | 001 |
| 005 | 16576-ZE7-300 | SPRING, LEVER | 001 |
| 006 | 16580-ZM0-020 | BASE, CONTROL | 001 |
| 006 | 16580-ZM0-030 | BASE, CONTROL | 001 |
| 008 | 16617-VG3-000 | HOLDER, CABLE | 001 |
| 009 | 16674-ZM0-000 | ROD, CHOKE | 001 |
| 012 | 90015-ZE5-010 | BOLT, GOVERNOR ARM | 001 |
| 013 | 90016-ZM0-000 | BOLT, FLANGE (6X45) (CT200) | 001 |
| 015 | 93500-05016-0A | SCREW, PAN (5X16) | 001 |
| 017 | 94050-06000 | NUT, FLANGE (6MM) | 001 |



Z2D0E2800G

| Ref. | Part Number | Part Description | Qty. |
|------|---------------|---|-----------------------|
| 001 | 87101-Z2D-000 | MARK, EMBLEM (GSV190 6.5) | 001 |
| 006 | 87114-ZH7-821 | LABEL, WARNING (NOT CERTIFIED FOR SALE) | (NOT CERTI...) 001 |