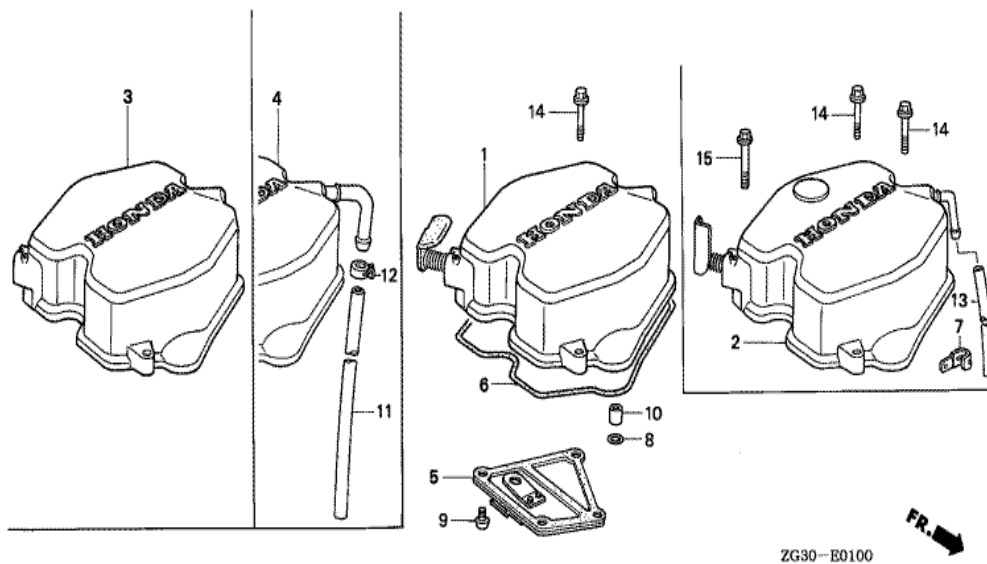
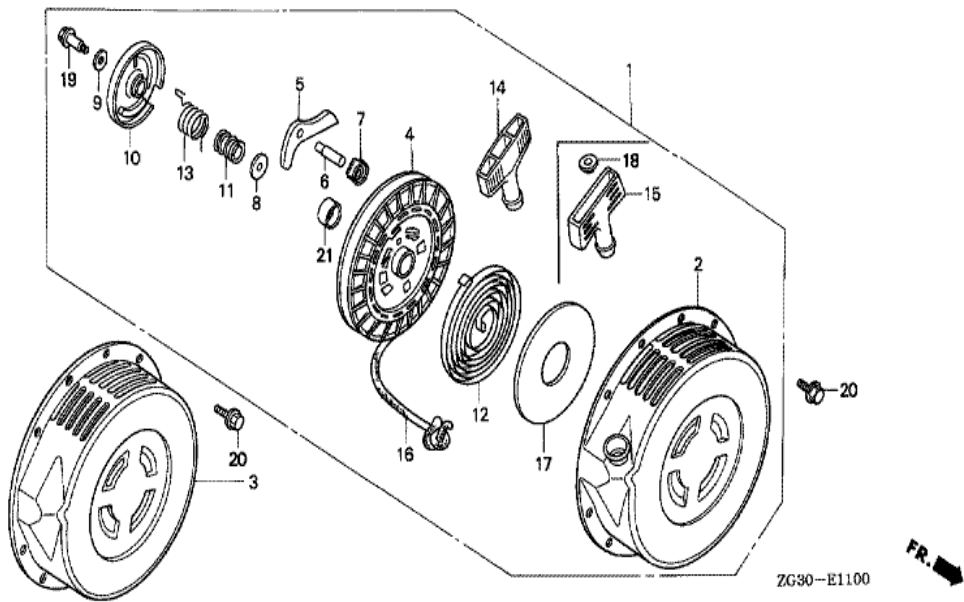


GD410(PA)	E-1 CYLINDER HEAD COVER
-----------	-------------------------



Ref	Partnumber	Description	GD410	Serial Numbers
003	12311-ZG3-010	COVER, CYLINDER HEAD	1	1028139
003	12311-ZG3-010	COVER, CYLINDER HEAD	1	
005	12380-ZG3-000	PLATE COMP., BREATHER	1	
006	12391-ZG3-000	O-RING, HEAD COVER	1	
008	51866-SA5-801	O-RING	1	
009	90009-ZG3-000	SCREW, PAN, 6X8	4	
009	90009-ZG3-000	SCREW, PAN, 6X8	4	1011687
009	93500-060080A	SCREW, PAN, 6X8	4	1011688
009	93500-060080A	SCREW, PAN, 6X8	4	1011688
010	94301-06100	DOWEL PIN, 6X10	1	
014	95701-0603200	BOLT, FLANGE, 6X32	3	1001160
014	95701-0603200	BOLT, FLANGE, 6X32	3	

GD410(PA)	E-11 RECOIL STARTER (1)
-----------	-------------------------

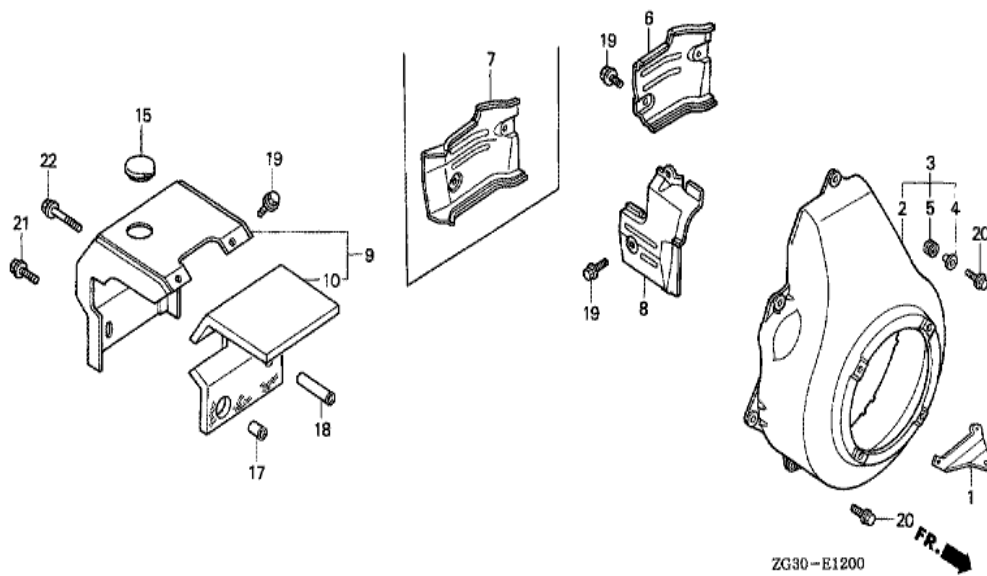


Ref	Partnumber	Description	GD410	Serial Numbers
001	28400-ZG3-003ZA	STARTER ASSY., RECOIL *NH116M *	1	
001	28400-ZG3-003ZA	STARTER ASSY., RECOIL *NH116M *	1	1000113
001	28400-ZG3-004ZA	STARTER ASSY., RECOIL *NH116M *	1	1001381
001	28400-ZG3-004ZA	STARTER ASSY., RECOIL *NH116M *	1	1000114
002	28410-ZG3-003ZA	CASE COMP., STARTER *NH116M *	1	
002	28410-ZG3-003ZA	CASE COMP., STARTER *NH116M *	1	1000113
002	28410-ZG3-004ZA	CASE COMP., STARTER *NH116M *	1	1001381
002	28410-ZG3-004ZA	CASE COMP., STARTER *NH116M *	1	1000114
004	28420-ZE8-811	REEL COMP., STARTER	1	
004	28420-ZE8-811	REEL COMP., STARTER	1	1000113
004	28420-ZE8-812	REEL COMP., STARTER	1	1001381
004	28420-ZE8-812	REEL COMP., STARTER	1	1000114
005	28422-ZG3-003	RATCHET, STARTER	1	

<u>Ref</u>	<u>Partnumber</u>	<u>Description</u>	<u>GD410</u>	<u>Serial Numbers</u>
005	28422-ZG3-003	RATCHET, STARTER	1	1000113
005	28422-ZG3-004	RATCHET, STARTER	1	1001381
005	28422-ZG3-004	RATCHET, STARTER	1	1000114
006	28423-ZG3-003	SHAFT, RATCHET	1	
006	28423-ZG3-003	SHAFT, RATCHET	1	1000113
006	28423-ZG3-004	SHAFT, RATCHET	1	1001381
006	28423-ZG3-004	SHAFT, RATCHET	1	1000114
007	28424-ZE1-711	PLATE, GUIDE	1	
007	28424-ZE1-711	PLATE, GUIDE	1	1000113
007	28424-ZE1-712	PLATE, GUIDE	1	1001381
007	28424-ZE1-712	PLATE, GUIDE	1	1000114
008	28431-ZG3-003	PLATE A, FRICTION	1	
008	28431-ZG3-003	PLATE A, FRICTION	1	1000113
008	28431-ZG3-004	PLATE A, FRICTION	1	1001381
008	28431-ZG3-004	PLATE A, FRICTION	1	1000114
009	28432-ZG0-003	PLATE B, FRICTION	1	
009	28432-ZG0-003	PLATE B, FRICTION	1	1000113
009	28432-ZG0-004	PLATE B, FRICTION	1	1001381
009	28432-ZG0-004	PLATE B, FRICTION	1	1000114
010	28434-ZE8-811	COVER, STARTER REEL	1	
010	28434-ZE8-811	COVER, STARTER REEL	1	1000113
010	28434-ZE8-812	COVER, STARTER REEL	1	1001381
010	28434-ZE8-812	COVER, STARTER REEL	1	1000114
011	28441-ZG3-003	SPRING, FRICTION	1	
011	28441-ZG3-003	SPRING, FRICTION	1	1000113
011	28441-ZG3-004	SPRING, FRICTION (D=13.0MM / L=16.3MM)	1	1001381
011	28441-ZG3-004	SPRING, FRICTION (D=13.0MM / L=16.3MM)	1	1000114
012	28442-ZE1-711	SPRING, RETURN	1	
012	28442-ZE1-711	SPRING, RETURN	1	1000113
012	28442-ZE1-713	SPRING, RETURN	1	1001381
012	28442-ZE1-713	SPRING, RETURN	1	1000114
013	28449-ZG3-003	SPRING, TORSION	1	
013	28449-ZG3-003	SPRING, TORSION	1	1000113

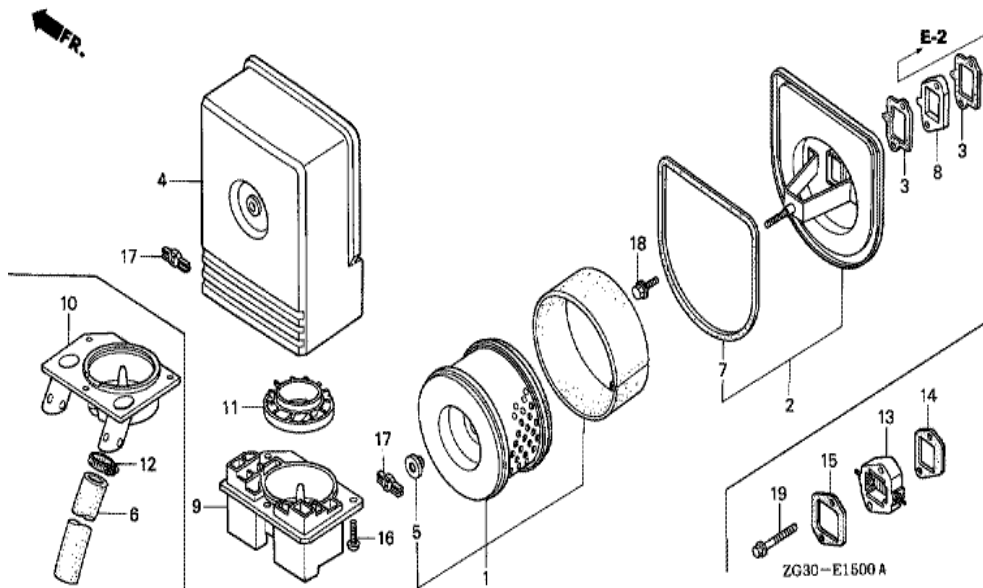
<u>Ref</u>	<u>Partnumber</u>	<u>Description</u>	<u>GD410</u>	<u>Serial Numbers</u>
013	28449-ZG3-004	SPRING, TORSION	1	1001381
013	28449-ZG3-004	SPRING, TORSION	1	1000114
014	28461-ZE8-811	GRIP, STARTER	1	
014	28461-ZE8-811	GRIP, STARTER	1	1000113
015	28461-ZG3-004	GRIP, STARTER	1	
015	28461-ZG3-004	GRIP, STARTER	1	1000114
016	28462-ZG3-003	ROPE, STARTER	1	
016	28462-ZG3-003	ROPE, STARTER	1	1000113
016	28462-ZG3-004	ROPE, STARTER	1	1001381
016	28462-ZG3-004	ROPE, STARTER	1	1000114
018	28469-ZE2-W01	REINFORCEMENT, GRIP	1	
018	28469-ZE2-W01	REINFORCEMENT, GRIP	1	1000114
019	90003-ZG0-003	BOLT, REEL COVER	1	
019	90003-ZG0-003	BOLT, REEL COVER	1	1000113
019	90003-ZG3-004	BOLT, 6MM	1	1001381
019	90003-ZG3-004	BOLT, 6MM	1	1000114
020	90011-ZG0-000	BOLT, FLANGE, 6X8	4	
021	91501-ZG3-003	COLLAR	1	
021	91501-ZG3-003	COLLAR	1	1000113
021	91501-ZG3-004	COLLAR	1	1001381
021	91501-ZG3-004	COLLAR	1	1000114

GD410(PA)	E-12 FAN COVER (1)
-----------	--------------------



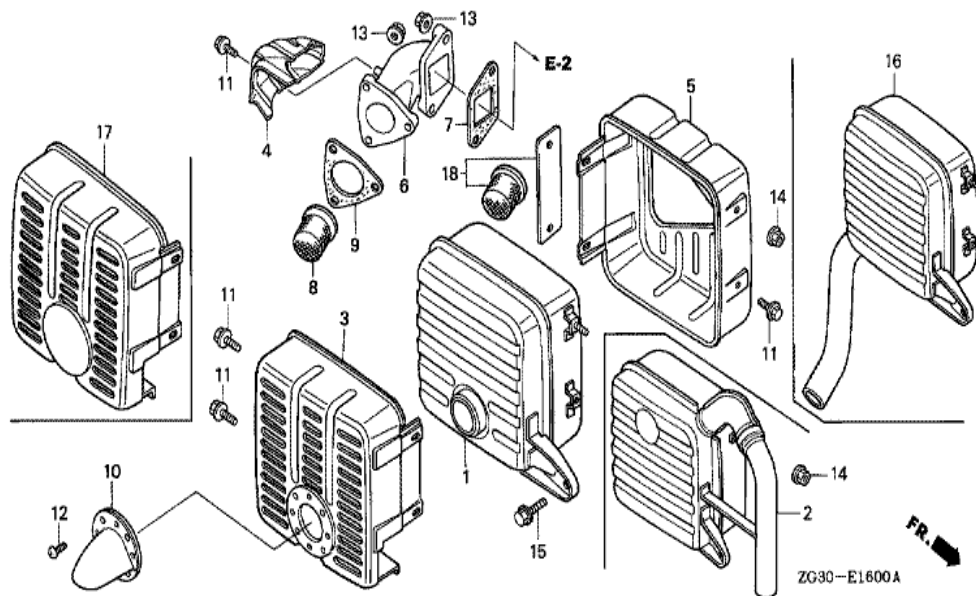
Ref	Partnumber	Description	GD410	Serial Numbers
002	19610-ZG3-000ZA	COVER COMP., FAN *NH116M *	1	
002	19610-ZG3-000ZA	COVER COMP., FAN *NH116M *	1	1001068
006	19631-ZG3-000	SHROUD (A)	1	
008	19632-ZG3-000	SHROUD (B)	1	
019	95701-0601200	BOLT, FLANGE, 6X12	2	
019	95701-0601200	BOLT, FLANGE, 6X12	4	
020	95701-0601200	BOLT, FLANGE, 6X12	7	
020	95701-0601200	BOLT, FLANGE, 6X12	7	

GD410(PA)	E-15 AIR CLEANER
-----------	------------------



<u>Ref</u>	<u>Partnumber</u>	<u>Description</u>	<u>GD410</u>	<u>Serial Numbers</u>
001	17210-ZG3-801	ELEMENT COMP., AIR CLEANER (WET)	(1)	
001	17210-ZG3-801	ELEMENT COMP., AIR CLEANER (WET)	1	
002	17220-ZG3-003	CASE COMP., AIR CLEANER	1	
003	17228-ZG3-000	PACKING, AIR CLEANER	1	
003	17228-ZG3-000	PACKING, AIR CLEANER	1	1021266
003	17228-ZG3-800	PACKING, AIR CLEANER (NON ASBESTOS)	1	1021267
003	17228-ZG3-800	PACKING, AIR CLEANER (NON ASBESTOS)	1	1021267
004	17230-ZG3-000	COVER COMP., AIR CLEANER	1	
005	17232-ZG3-003	GROMMET, AIR CLEANER	1	
007	17406-ZG3-000	PACKING, AIR CLEANER CASE	1	
009	17471-ZG3-000	CASE, PRE CLEANER	1	
011	17476-ZG3-003	GUIDE, PRE AIR CLEANER	1	
016	90142-MB0-000	SCREW, PAN, 5X16.5	3	
<u>Ref</u>	<u>Partnumber</u>	<u>Description</u>	<u>GD410</u>	<u>Serial Numbers</u>
017	90203-PB2-000	NUT, AIR CLEANER COVER (DACRO COATING)	2	
018	95701-0802200	BOLT, FLANGE, 8X22	2	

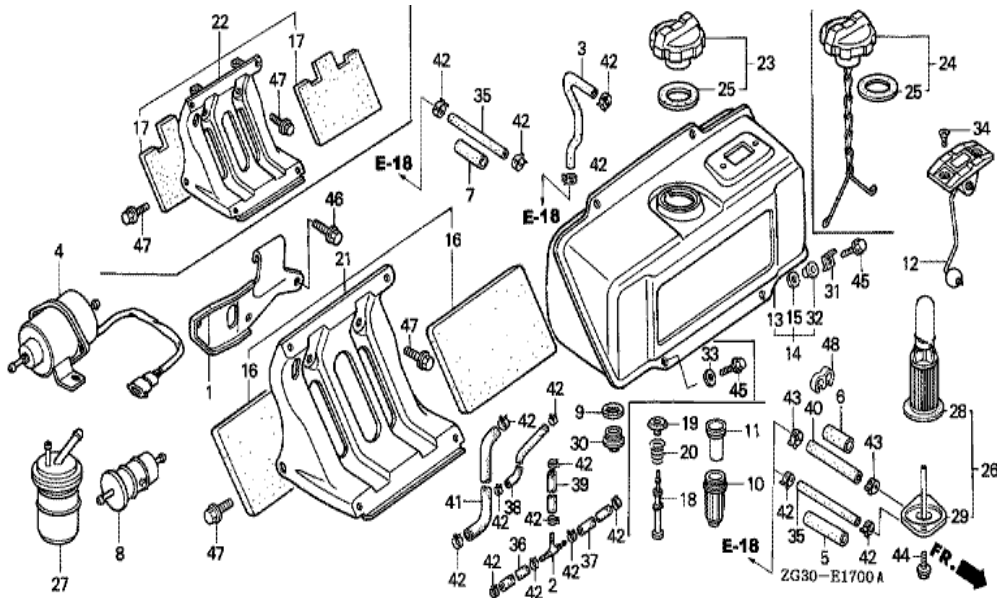
GD410(PA)	E-16 MUFFLER (1)
-----------	------------------



<u>Ref</u>	<u>Partnumber</u>	<u>Description</u>	<u>GD410</u>	<u>Serial Numbers</u>
001	18310-ZG3-003	MUFFLER COMP.	1	
003	18321-ZG3-003	PROTECTOR A, MUFFLER	1	
005	18325-ZG3-003	PROTECTOR B, MUFFLER	1	
006	18331-ZG3-000	PIPE, EX.	1	
006	18331-ZG3-000	PIPE, EX.	1	1009311
007	18333-ZG3-000	GASKET, EX. PIPE	1	1019342
007	18333-ZG3-000	GASKET, EX. PIPE	1	1019418
007	18333-ZG3-800	GASKET, EX. PIPE (NON ASBESTOS)	1	1019419
007	18333-ZG3-800	GASKET, EX. PIPE (NON ASBESTOS)	1	1019419
009	18381-ZG3-000	GASKET, MUFFLER	1	1019353
009	18381-ZG3-000	GASKET, MUFFLER	1	1019418
009	18381-ZG3-800	GASKET, MUFFLER (NON ASBESTOS)	1	1019419
009	18381-ZG3-800	GASKET, MUFFLER (NON ASBESTOS)	1	1019419
<u>Ref</u>	<u>Partnumber</u>	<u>Description</u>	<u>GD410</u>	<u>Serial Numbers</u>
010	18431-ZG3-800	DEFLECTOR, MUFFLER	(1)	
011	90002-ZG3-000	BOLT, FLANGE, 5X8	3	
012	93500-050080B	SCREW, PAN, 5X8	(4)	
013	94050-08000	NUT, FLANGE, 8MM	5	
014	94050-08020	NUT, FLANGE, 8MM	1	
015	95701-0802000	BOLT, FLANGE, 8X20	1	
018	06180-ZG3-930	ARRESTER KIT, SPARK	(1)	

GD410(PA)

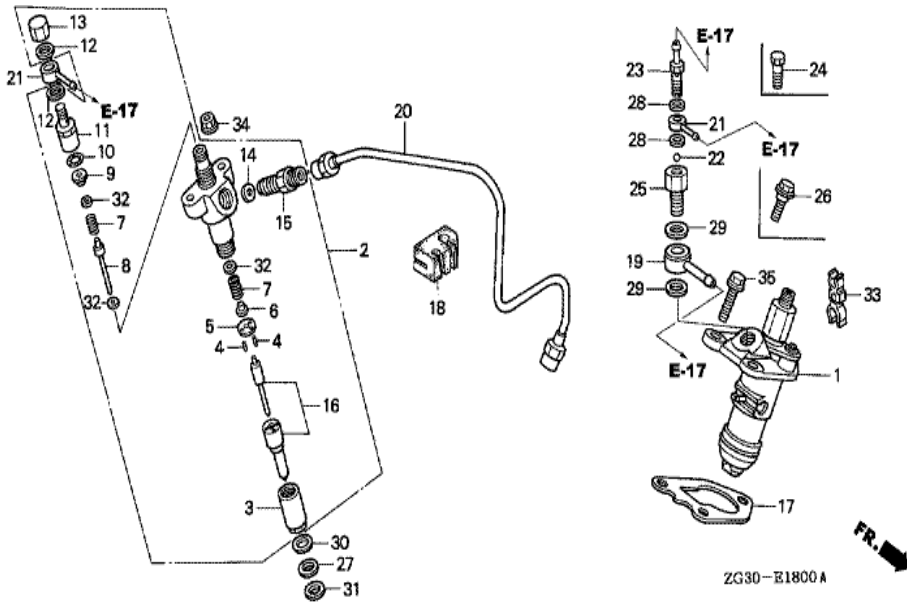
E-17 FUEL TANK (1)



Ref	Partnumber	Description	GD410	Serial Numbers
001	11911-ZG3-000	HANGER, ENGINE	1	
003	16346-ZG3-000	TUBE, FUEL	1	
005	16854-ZG3-000	RUBBER, SUPPORTER (9X48)	1	
006	16857-ZG3-000	RUBBER, SUPPORTER (B)	1	
007	16858-ZG3-000	RUBBER, SUPPORTER (9X30)	1	
009	16963-443-901	GASKET	1	
012	17505-ZG3-801	GAUGE ASSY., FUEL	1	
013	17510-ZG3-800ZA	TANK COMP., FUEL (GAUGE) *R8 *	(1)	
013	17510-ZG3-800ZA	TANK COMP., FUEL (GAUGE) *R8 *	1	
016	17535-ZG3-000	SEAT, TANK STAY	2	
021	17560-ZG3-000	STAY COMP., FUEL TANK	1	
023	17620-ZG3-003	CAP COMP., FUEL FILLER	1	
025	17631-329-003	PACKING, FUEL FILLER CAP (39X58X3)	1	
Ref	Partnumber	Description	GD410	Serial Numbers
026	17670-ZG3-013	FILTER ASSY., FUEL	1	1004977
026	17670-ZG3-013	FILTER ASSY., FUEL	1	
028	17682-ZG3-003	STRAINER COMP.	1	
029	17687-ZG3-013	BODY, STRAINER	1	1004977
029	17687-ZG3-013	BODY, STRAINER	1	
030	90021-ZG3-003	BOLT, DRAIN	1	
031	90407-ZG3-010	WASHER, SPECIAL, 6MM	4	1004185
031	90407-ZG3-010	WASHER, SPECIAL, 6MM	4	
034	93600-050100A	SCREW, FLAT, 5X10	2	
035	95001-4510040	TUBE, FUEL, 4.5X100 (95001-450 (95001-45	2	
040	95001-8009540	TUBE, FUEL, 8X95 (95001-80001- (95001-80	1	
042	95002-4080008	CLAMP, TUBE (D8)	6	1000969
042	95002-4080008	CLAMP, TUBE (D8)	6	
043	95002-4125008	CLAMP, TUBE (D12.5)	2	1000969
043	95002-4125008	CLAMP, TUBE (D12.5)	2	
044	95701-0601200	BOLT, FLANGE, 6X12	2	
045	95701-0601400	BOLT, FLANGE, 6X14	4	
047	95701-0802200	BOLT, FLANGE, 8X22	4	



GD410(PA)	E-18 FUEL INJECTION PUMP
-----------	--------------------------

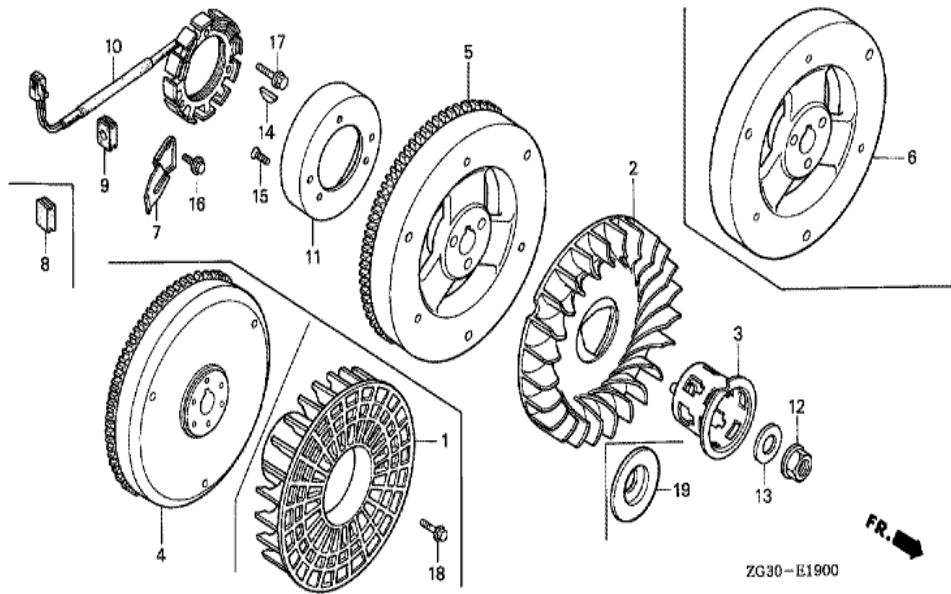


Ref	Partnumber	Description	GD410	Serial Numbers
001	16300-ZG3-931	PUMP ASSY., FUEL INJECTION	1	1009311
001	16300-ZG3-931	PUMP ASSY., FUEL INJECTION	1	
002	16410-ZG3-013	NOZZLE & HOLDER ASSY.	1	
003	16413-ZG3-003	NUT, RETAINING	1	
004	16414-ZG3-003	PIN (1.78X9.3)	2	
005	16415-ZG3-003	SPACER	1	
006	16416-ZG3-003	SEAT, SPRING (A)	1	
007	16417-ZG3-003	SPRING, NOZZLE	2	
008	16418-ZG3-003	ROD, PUSH	1	
009	16419-ZG3-003	SEAT, SPRING (B)	1	
010	16421-ZG3-003	O-RING	1	
011	16422-ZG3-003	NUT, CAP	1	
012	16423-ZG3-003	GASKET A	2	

<u>Ref</u>	<u>Partnumber</u>	<u>Description</u>	<u>GD410</u>	<u>Serial Numbers</u>
013	16424-ZG3-003	NUT	1	
014	16425-ZG3-003	GASKET B	1	
015	16426-ZG3-003	CONNECTOR, IN.	1	
016	16431-ZG3-003	NOZZLE	1	
017	16441-ZG3-000	GASKET, FUEL INJECTION PUMP (C) (0.2)	1	
017	16442-ZG3-000	GASKET, FUEL INJECTION PUMP (D) (0.3)	(1)	
017	16442-ZG3-000	GASKET, FUEL INJECTION PUMP (D) (0.3)	1	
017	16443-ZG3-000	GASKET, FUEL INJECTION PUMP (E) (0.4)	(1)	
017	16443-ZG3-000	GASKET, FUEL INJECTION PUMP (E) (0.4)	1	
017	16444-ZG3-000	GASKET, FUEL INJECTION PUMP (A) (0.1)	(1)	
017	16444-ZG3-000	GASKET, FUEL INJECTION PUMP (A) (0.1)	1	
017	16445-ZG3-000	GASKET, FUEL INJECTION PUMP (B) (0.15)	(1)	
017	16445-ZG3-000	GASKET, FUEL INJECTION PUMP (B) (0.15)	1	
017	16451-ZG3-000	GASKET, FUEL INJECTION PUMP (F) (0.5)	(1)	
017	16451-ZG3-000	GASKET, FUEL INJECTION PUMP (F) (0.5)	1	
017	16452-ZG3-000	GASKET, FUEL INJECTION PUMP (G) (0.6)	(1)	
017	16452-ZG3-000	GASKET, FUEL INJECTION PUMP (G) (0.6)	1	
018	16447-ZG3-000	RUBBER, FUEL TUBE CLAMP	1	
019	16449-ZG3-000	JOINT, FUEL	1	
020	16455-ZG3-000	PIPE, FUEL	1	
021	16647-ZG3-000	JOINT, AIR BREATHER (B)	2	
022	16648-ZG3-000	BALL, CHECK	1	
023	90025-ZG3-000	BOLT, AIR BREATHER, 8X20	1	
025	90027-ZG3-000	BOLT, FUEL JOINT, 12X25.5	1	
026	90161-744-000	BOLT, ROTARY TRANSMISSION	2	
026	90161-744-000	BOLT, ROTARY TRANSMISSION	2	1013492
027	90402-ZG3-880	WASHER, PLAIN, 7MM	1	
027	90402-ZG3-880	WASHER, PLAIN, 7MM	1	1011688
028	90403-ZG3-000	WASHER, 8MM	2	
029	90418-ZG3-000	WASHER, FUEL JOINT	2	
030	90451-ZG3-000	GASKET A, NOZZLE (0.8)	1	
030	90451-ZG3-000	GASKET A, NOZZLE (0.8)	1	1011688
030	90452-ZG3-000	GASKET B, NOZZLE (1.0)	1	1011688

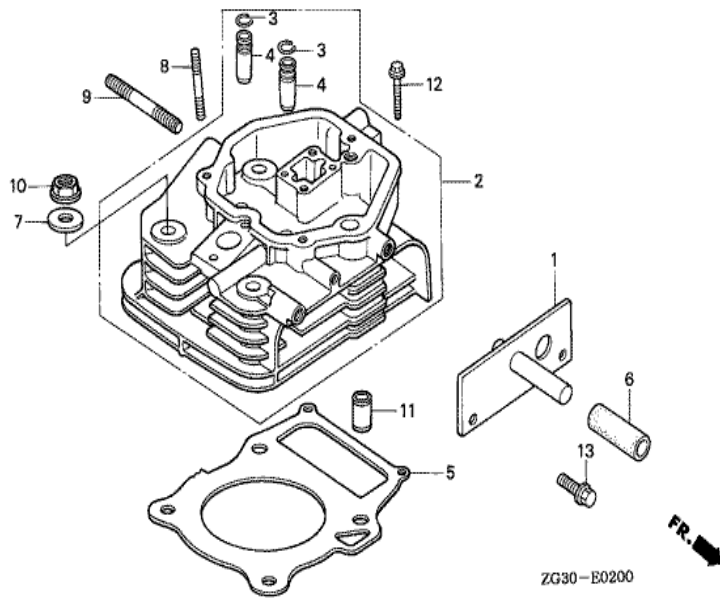
<u>Ref</u>	<u>Partnumber</u>	<u>Description</u>	<u>GD410</u>	<u>Serial Numbers</u>
030	90452-ZG3-000	GASKET B, NOZZLE (1.0)	1	1011688
030	90453-ZG3-000	GASKET C, NOZZLE (1.2)	1	
030	90453-ZG3-000	GASKET C, NOZZLE (1.2)	1	
030	90454-ZG3-000	GASKET D, NOZZLE (1.4)	1	1011688
030	90454-ZG3-000	GASKET D, NOZZLE (1.4)	1	1011688
031	90455-ZG3-880	GASKET, SPECIAL, 7MM	1	
031	90455-ZG3-880	GASKET, SPECIAL, 7MM	1	1011688
032	90460-ZG3-003	SHIM A (0.50)	N	
032	90461-ZG3-003	SHIM B (0.51)	N	
032	90461-ZG3-003	SHIM B (0.51)	N	
032	90462-ZG3-003	SHIM C (0.52)	N	
032	90462-ZG3-003	SHIM C (0.52)	N	
032	90463-ZG3-003	SHIM D (0.53)	N	
032	90463-ZG3-003	SHIM D (0.53)	N	
032	90464-ZG3-003	SHIM E (0.54)	N	
032	90464-ZG3-003	SHIM E (0.54)	N	
032	90465-ZG3-003	SHIM F (0.55)	N	
032	90465-ZG3-003	SHIM F (0.55)	N	
032	90466-ZG3-003	SHIM G (0.56)	N	
032	90466-ZG3-003	SHIM G (0.56)	N	
032	90467-ZG3-003	SHIM H (0.57)	N	
032	90467-ZG3-003	SHIM H (0.57)	N	
032	90468-ZG3-003	SHIM I (0.58)	N	
032	90468-ZG3-003	SHIM I (0.58)	N	
032	90469-ZG3-003	SHIM J (0.59)	N	
032	90469-ZG3-003	SHIM J (0.59)	N	
032	90470-ZG3-003	SHIM K (0.60)	N	
032	90470-ZG3-003	SHIM K (0.60)	N	
032	90471-ZG3-003	SHIM L (0.70)	N	
032	90471-ZG3-003	SHIM L (0.70)	N	
032	90472-ZG3-003	SHIM M (0.80)	N	
032	90472-ZG3-003	SHIM M (0.80)	N	
032	90473-ZG3-003	SHIM N (0.90)	N	
<u>Ref</u>	<u>Partnumber</u>	<u>Description</u>	<u>GD410</u>	<u>Serial Numbers</u>
032	90473-ZG3-003	SHIM N (0.90)	N	
034	94050-06000	NUT, FLANGE, 6MM	2	
035	95701-0802500	BOLT, FLANGE, 8X25	1	
035	95701-0802500	BOLT, FLANGE, 8X25	1	1013342
035	95701-0802500	BOLT, FLANGE, 8X25	1	1013492
035	95701-0802500	BOLT, FLANGE, 8X25	3	1013491

GD410(PA)	E-19 FLYWHEEL
-----------	---------------



Ref	Partnumber	Description	GD410	Serial Numbers
002	19511-ZG3-000	FAN, COOLING	1	
003	28451-ZG3-004	PULLEY, STARTER	1	
003	28451-ZG3-004	PULLEY, STARTER	1	
006	31101-ZG3-000	FLYWHEEL	1	
008	31512-ZE8-000	GROMMET, CORD	1	
012	90201-ZG3-000	NUT, FLANGE, 20MM	1	
013	90401-ZG3-000	WASHER, 20MM	1	
014	90741-ZG3-000	KEY, WOODRUFF, 50X7	1	

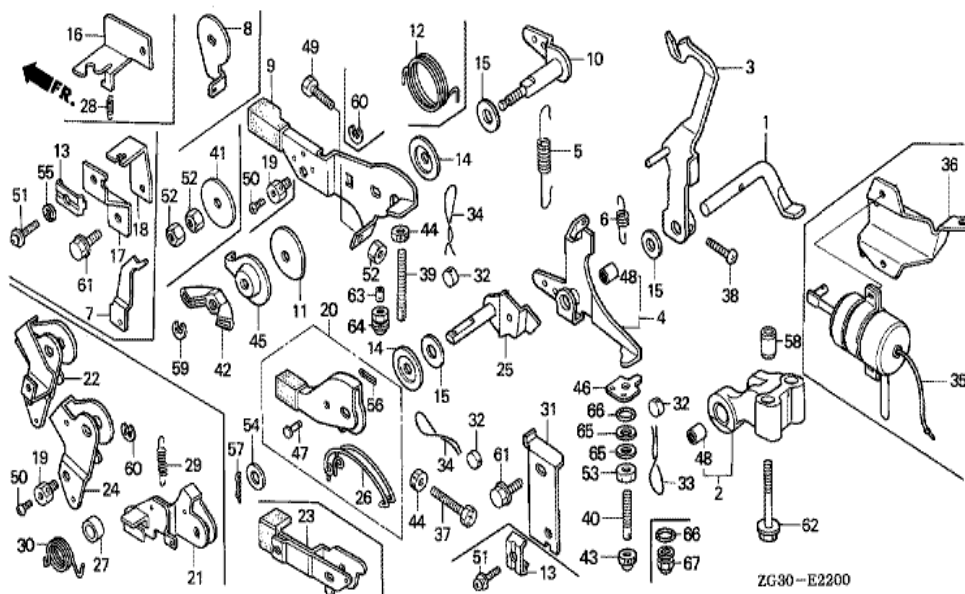
GD410(PA)	E-2 CYLINDER HEAD
-----------	-------------------



<u>Ref</u>	<u>Partnumber</u>	<u>Description</u>	<u>GD410</u>	<u>Serial Numbers</u>
002	12200-ZG3-010	HEAD COMP., CYLINDER	1	
002	12200-ZG3-010	HEAD COMP., CYLINDER	1	1009285
003	12216-ZE2-300	CLIP, VALVE GUIDE	2	
004	12218-ZG3-003	GUIDE, VALVE (O.S.)	(2)	
005	12251-ZG3-000	GASKET, CYLINDER HEAD (A) (1.1)	1	
005	12252-ZG3-000	GASKET, CYLINDER HEAD (B) (1.2)	(1)	
005	12252-ZG3-000	GASKET, CYLINDER HEAD (B) (1.2)	1	
005	12253-ZG3-000	GASKET, CYLINDER HEAD (C) (1.3)	(1)	
005	12253-ZG3-000	GASKET, CYLINDER HEAD (C) (1.3)	1	
007	90404-ZG3-000	WASHER, 10MM	4	
008	92900-060323B	BOLT, STUD, 6X32	2	
009	92900-080280B	BOLT, STUD, 8X28	2	
009	92900-080280B	BOLT, STUD, 8X28	2	
<u>Ref</u>	<u>Partnumber</u>	<u>Description</u>	<u>GD410</u>	<u>Serial Numbers</u>
010	94050-10000	NUT, FLANGE, 10MM	4	
011	94301-12200	DOWEL PIN, 12X20	2	
012	95701-0602800	BOLT, FLANGE, 6X28	2	

GD410(PA)

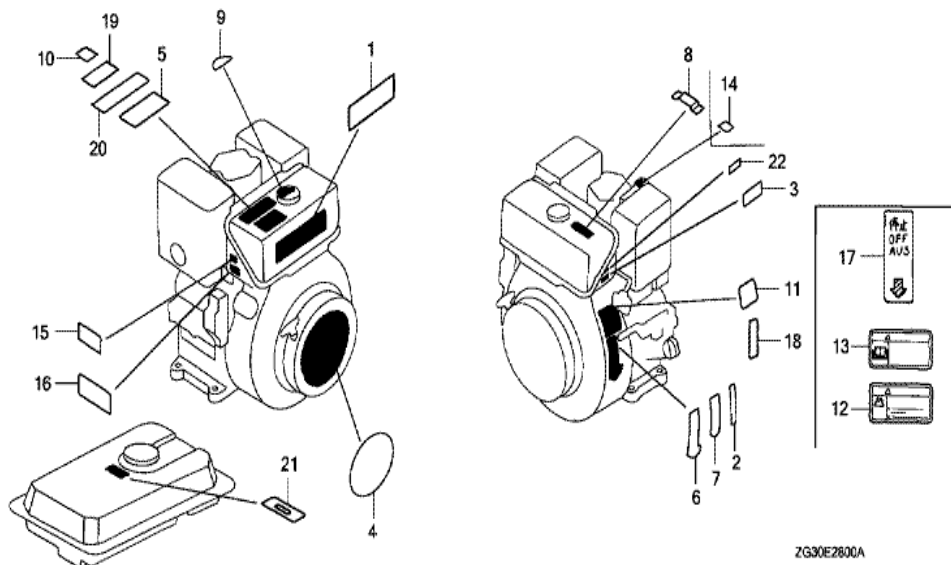
E-22 CONTROL LEVER



Ref	Partnumber	Description	GD410	Serial Numbers
001	16541-ZG3-000	SHAFT, GOVERNOR ARM	1	
002	16544-ZG3-000	STAY, GOVERNOR SHAFT	1	
003	16550-ZG3-000	ARM COMP., GOVERNOR	1	
004	16558-ZG3-010	ARM COMP., SUB GOVERNOR	1	
005	16561-ZG3-000	SPRING, GOVERNOR	1	
006	16563-ZG3-000	SPRING, IDLE	1	
006	16563-ZG3-000	SPRING, IDLE	1	1019418
006	16563-ZG3-010	SPRING, IDLE	1	1019419
006	16563-ZG3-010	SPRING, IDLE	1	1019419
009	16571-ZG3-010	LEVER, CONTROL	1	1006023
009	16571-ZG3-010	LEVER, CONTROL	1	
010	16572-ZG3-000	SHAFT, CONTROL LEVER	1	
011	16574-ZG3-000	SPRING, LEVER	1	

<u>Ref</u>	<u>Partnumber</u>	<u>Description</u>	<u>GD410</u>	<u>Serial Numbers</u>
014	16577-ZG3-000	SPACER, CONTROL LEVER (A)	1	
014	16577-ZG3-000	SPACER, CONTROL LEVER (A)	2	
015	16578-ZG3-000	SPACER, CONTROL LEVER (B)	1	
015	16578-ZG3-000	SPACER, CONTROL LEVER (B)	3	
020	16630-ZG3-000	LEVER COMP., STOP	1	
025	16632-ZG3-000	SHAFT, STOP LEVER	1	
026	16633-ZG3-300	SPRING, STOP LEVER	1	
031	16645-ZG3-000	HOLDER COMP., STOP CABLE	1	
032	16727-705-000	END, LOCK	(N)	
032	16727-705-000	END, LOCK	3	
033	16728-ZG3-000	WIRE, LOCK (A)	1	
034	16729-ZG3-000	WIRE, LOCK (B)	(N)	
034	16729-ZG3-000	WIRE, LOCK (B)	2	
037	90007-ZG3-000	BOLT, RECESSED, 6X32	1	
038	90010-ZG3-000	SCREW, PAN, 3X18	1	
039	90045-ZG3-000	BOLT, CONTROL ADJUSTING	1	
040	90102-ZG3-000	BOLT, ADJUSTING	1	
042	90203-679-000	NUT, PLUG COVER	1	
044	90206-ZG3-000	NUT, HEX., 6MM	1	
044	90206-ZG3-000	NUT, HEX., 6MM	2	
045	90405-ZG3-000	WASHER, 6X30	1	
046	90426-ZG3-000	WASHER, SEALING	1	
047	90751-ZG3-300	PIN, CENTER, 4X16.5	1	
048	91024-KG4-004	BEARING, NEEDLE, 8X12X10 (TOYO)	2	
049	92301-060200A	BOLT, RECESSED, 6X20	1	
052	94001-060000S	NUT, HEX., 6MM	1	
053	94001-062800S	NUT, HEX., 6MM	1	
054	94102-08000	WASHER, PLAIN, 8MM	1	
056	94201-16080	PIN, SPLIT, 1.6	1	
057	94201-25150	PIN, SPLIT, 2.5X15	1	
058	94301-08140	DOWEL PIN, 8X14	2	
059	94540-03010	E-RING, 3MM	1	
061	95701-0601600	BOLT, FLANGE, 6X16	1	
<u>Ref</u>	<u>Partnumber</u>	<u>Description</u>	<u>GD410</u>	<u>Serial Numbers</u>
062	95701-0604009	BOLT, FLANGE, 6X40	2	

GD410(PA)	E-28 LABELS
-----------	-------------



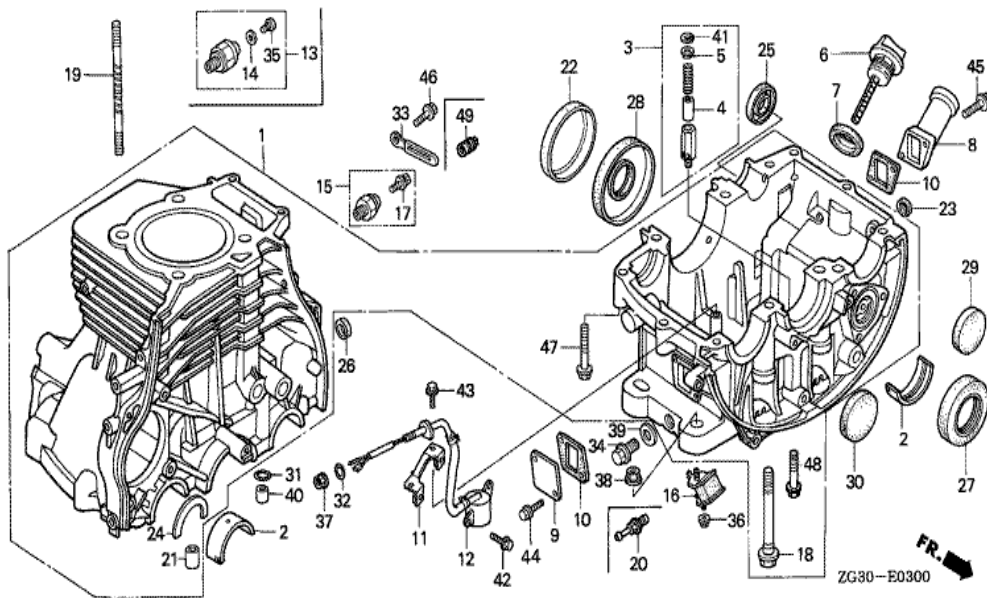
ZG30E2800A

Ref	Partnumber	Description	GD410	Serial Numbers
001	87101-ZG3-000	EMBLEM (GD410)	1	
005	87522-ZG3-800	LABEL, CAUTION (ENGLISH) (FRENCH) (GERMA	1	
005	87522-ZG3-800	LABEL, CAUTION (ENGLISH) (FRENCH) (GERMA	1	
006	87532-ZG3-800	MARK, THROTTLE (ENGLISH)	(1)	
006	87532-ZG3-800	MARK, THROTTLE (ENGLISH)	1	
008	87565-ZG3-810	MARK, FUEL (EXTERNAL)	(1)	
008	87565-ZG3-810	MARK, FUEL (EXTERNAL)	1	
009	87592-ZG3-800	MARK, USE FUEL (ENGLISH)	1	1000114
009	87592-ZG3-800	MARK, USE FUEL (ENGLISH)	1	
011	87594-ZG3-800	MARK, OIL CAUTION (ENGLISH)	(1)	
011	87594-ZG3-800	MARK, OIL CAUTION (ENGLISH)	1	



GD410(PA)

E-3 CYLINDER BARREL

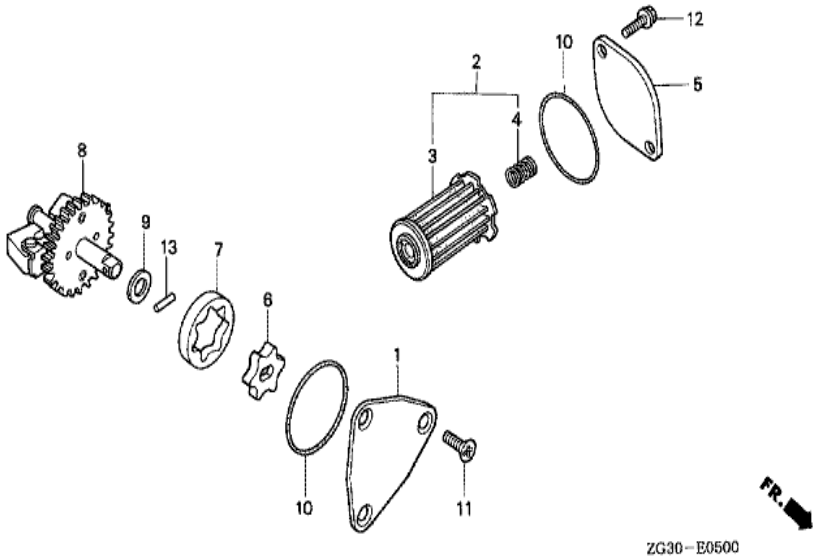


Ref	Partnumber	Description	GD410	Serial Numbers
001	12000-ZG3-650	BARREL ASSY., CYLINDER	1	1001308
001	12000-ZG3-650	BARREL ASSY., CYLINDER	1	
002	13321-ZG3-003	BEARING A, MAIN (BLUE)	2	
002	13322-ZG3-003	BEARING B, MAIN (BLACK)	2	
002	13322-ZG3-003	BEARING B, MAIN (BLACK)	2	
002	13323-ZG3-003	BEARING C, MAIN (BROWN)	2	
002	13323-ZG3-003	BEARING C, MAIN (BROWN)	2	
002	13324-ZG3-003	BEARING D, MAIN (GREEN)	2	
002	13324-ZG3-003	BEARING D, MAIN (GREEN)	2	
002	13325-ZG3-003	BEARING E, MAIN (YELLOW)	2	
002	13325-ZG3-003	BEARING E, MAIN (YELLOW)	2	
002	13326-ZG3-003	BEARING F, MAIN (PINK)	2	
002	13326-ZG3-003	BEARING F, MAIN (PINK)	2	

<u>Ref</u>	<u>Partnumber</u>	<u>Description</u>	<u>GD410</u>	<u>Serial Numbers</u>
002	13327-ZG3-003	BEARING G, MAIN (RED)	2	
002	13327-ZG3-003	BEARING G, MAIN (RED)	2	
002	13332-ZG3-000	BEARING A, MAIN (UNDER SIZE 0.25) (BLACK	(2)	
002	13332-ZG3-000	BEARING A, MAIN (UNDER SIZE 0.25) (BLACK	(2)	
002	13333-ZG3-000	BEARING B, MAIN (UNDER SIZE 0.25) (BROWN	(2)	
002	13333-ZG3-000	BEARING B, MAIN (UNDER SIZE 0.25) (BROWN	(2)	
002	13334-ZG3-000	BEARING C, MAIN (UNDER SIZE 0.25) (GREEN	(2)	
002	13334-ZG3-000	BEARING C, MAIN (UNDER SIZE 0.25) (GREEN	(2)	
002	13336-ZG3-000	BEARING A, MAIN (UNDER SIZE 0.50) (BLACK	(2)	
002	13336-ZG3-000	BEARING A, MAIN (UNDER SIZE 0.50) (BLACK	(2)	
002	13337-ZG3-000	BEARING B, MAIN (UNDER SIZE 0.50) (BROWN	(2)	
002	13337-ZG3-000	BEARING B, MAIN (UNDER SIZE 0.50) (BROWN	(2)	
002	13338-ZG3-000	BEARING C, MAIN (UNDER SIZE 0.50) (GREEN	(2)	
002	13338-ZG3-000	BEARING C, MAIN (UNDER SIZE 0.50) (GREEN	(2)	
002	13342-ZG3-000	BEARING A, MAIN (UNDER SIZE 0.75) (BLACK	(2)	
002	13342-ZG3-000	BEARING A, MAIN (UNDER SIZE 0.75) (BLACK	(2)	
002	13343-ZG3-000	BEARING B, MAIN (UNDER SIZE 0.75) (BROWN	(2)	
002	13343-ZG3-000	BEARING B, MAIN (UNDER SIZE 0.75) (BROWN	(2)	
002	13344-ZG3-000	BEARING C, MAIN (UNDER SIZE 0.75) (GREEN	(2)	
002	13344-ZG3-000	BEARING C, MAIN (UNDER SIZE 0.75) (GREEN	(2)	
003	15220-413-020	VALVE ASSY., RELIEF	1	
004	15231-413-020	VALVE, RELIEF	1	
005	15233-413-000	SEAT, RELIEF VALVE	1	
006	15620-ZG3-000	CAP, OIL FILLER	1	
007	15625-750-800	PACKING, OIL FILLER CAP	1	
007	15625-750-800	PACKING, OIL FILLER CAP	1	1009447
007	15625-ZE8-000	PACKING, OIL FILLER CAP	1	1003034
007	15625-ZE8-000	PACKING, OIL FILLER CAP	1	1009448
008	15631-ZG3-000	EXTENSION, OIL FILLER	1	
009	15634-ZG3-000	PLATE, EXTENSION	1	
010	15635-ZG3-000	PACKING, EXTENSION OIL FILLER	2	
010	15635-ZG3-000	PACKING, EXTENSION OIL FILLER	2	1021266
010	15635-ZG3-800	PACKING, EXTENSION OIL FILLER (NON ASBES	2	1021267

<u>Ref</u>	<u>Partnumber</u>	<u>Description</u>	<u>GD410</u>	<u>Serial Numbers</u>
010	15635-ZG3-800	PACKING, EXTENSION OIL FILLER (NON ASBES	2	1021267
018	90005-ZG3-003	BOLT-WASHER, 11X115	4	
019	90020-ZG3-003	BOLT, STUD, 10X103.5	4	
021	90715-PC6-000	DOWEL PIN, 13X20	3	
023	91201-ZE9-003	OIL SEAL, 8X14X5	1	
023	91201-ZE9-003	OIL SEAL, 8X14X5	1	
024	91003-ZG3-000	SET RING, 90MM	1	
026	91201-ZE9-003	OIL SEAL, 8X14X5	1	
027	91201-ZG3-003	OIL SEAL, 40X67X10	1	
028	91202-ZG3-003	OIL SEAL, 36X90X9	1	
029	91204-ZG3-003	PLUG, SEALING, 47MM	(1)	1008802
030	91205-ZG3-000	PLUG, SEALING, 52MM	1	
031	91301-812-000	O-RING, 10MM	1	
034	92800-14000	BOLT, DRAIN PLUG, 14MM	1	
039	94109-14000	WASHER, DRAIN PLUG, 14MM	1	
040	94301-10160	DOWEL PIN, 10X16	1	
041	94520-12000	CIRCLIP, INTERNAL, 12MM	1	
044	95701-0601600	BOLT, FLANGE, 6X16	2	
045	95701-0602200	BOLT, FLANGE, 6X22	2	
047	95701-0804000	BOLT, FLANGE, 8X40	6	
047	95701-0804000	BOLT, FLANGE, 8X40	6	1000906
048	95701-0805000	BOLT, FLANGE, 8X50	1	

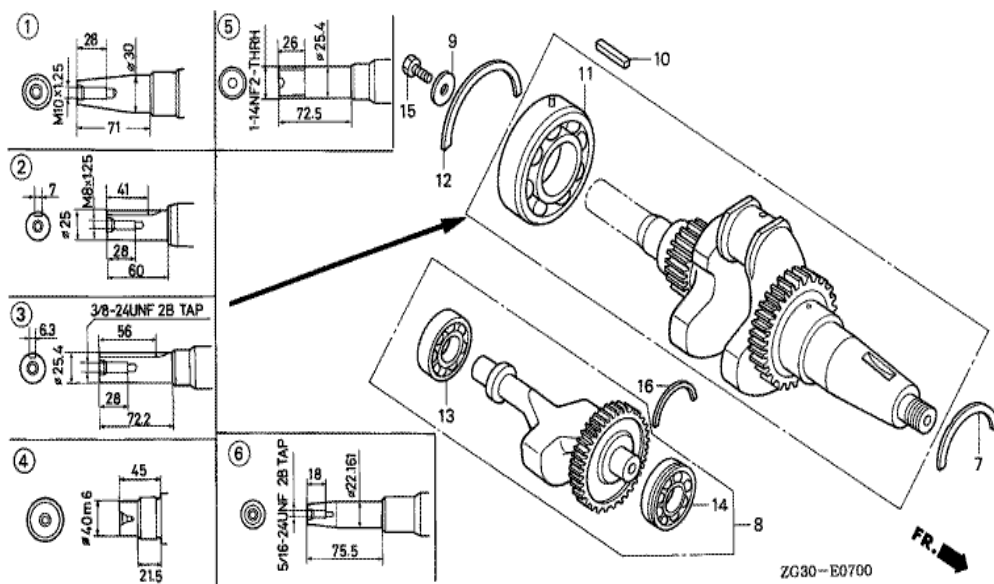
GD410(PA)	E-5 OIL PUMP
-----------	--------------



ZG30-E0500

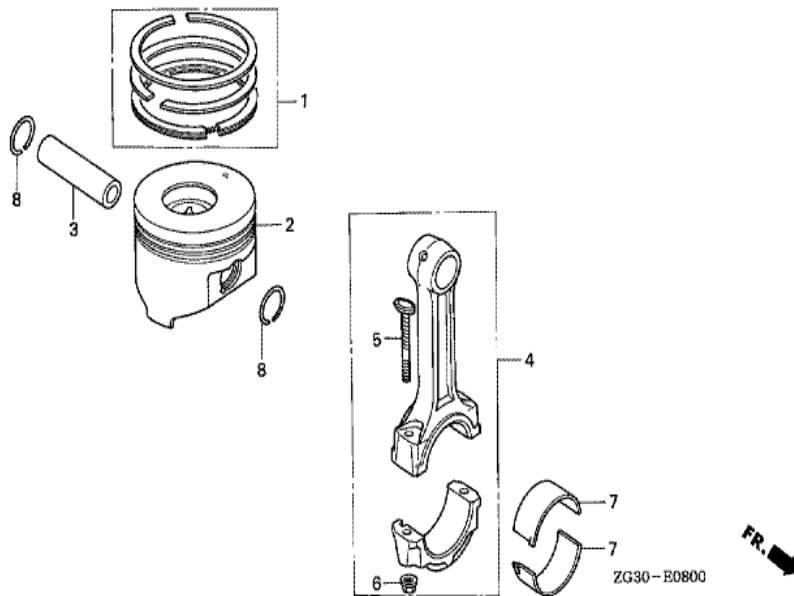
<u>Ref</u>	<u>Partnumber</u>	<u>Description</u>	<u>GD410</u>	<u>Serial Numbers</u>
001	15121-ZG3-000	COVER, OIL PUMP	1	
002	15220-ZG3-000	STRAINER COMP., OIL	1	
002	15220-ZG3-000	STRAINER COMP., OIL	1	1013492
003	15221-ZG3-000	STRAINER, OIL	1	
003	15221-ZG3-000	STRAINER, OIL	1	1013491
004	15223-ZG3-000	SPRING, OIL STRAINER	1	
004	15223-ZG3-000	SPRING, OIL STRAINER	1	1013491
004	15223-ZG3-300	SPRING, OIL STRAINER	1	1013492
004	15223-ZG3-300	SPRING, OIL STRAINER	1	1013492
005	15224-ZG3-000	COVER, OIL STRAINER	1	
006	15331-ZG3-013	ROTOR, OIL PUMP INNER	1	
007	15341-ZG3-003	ROTOR, OIL PUMP OUTER	1	
008	16510-ZG3-010	WEIGHT COMP., GOVERNOR	1	
<u>Ref</u>	<u>Partnumber</u>	<u>Description</u>	<u>GD410</u>	<u>Serial Numbers</u>
009	90443-ZG3-000	WASHER, 15.5MM	1	
010	91301-ZG3-000	O-RING, 42.2X2.4	2	
011	90011-ZG3-000	SCREW, FLAT, 6X16	3	
011	90011-ZG3-000	SCREW, FLAT, 6X16	3	1000113
012	95701-0601600	BOLT, FLANGE, 6X16	2	
013	96220-30134	ROLLER, 3X13.4	1	

GD410(PA)	E-7 CRANKSHAFT
-----------	----------------



<u>Ref</u>	<u>Partnumber</u>	<u>Description</u>	<u>GD410</u>	<u>Serial Numbers</u>
005	13310-ZG3-650	CRANKSHAFT COMP.	1	
007	13316-ZG3-003	BEARING, CRANKSHAFT THRUST (A) (BLUE)	1	
007	13317-ZG3-003	BEARING, CRANKSHAFT THRUST (B) (BLACK)	1	1002105
007	13317-ZG3-003	BEARING, CRANKSHAFT THRUST (B) (BLACK)	1	
007	13318-ZG3-003	BEARING, CRANKSHAFT THRUST (C) (BROWN)	1	1002105
007	13318-ZG3-003	BEARING, CRANKSHAFT THRUST (C) (BROWN)	1	
007	13319-ZG3-003	BEARING, CRANKSHAFT THRUST (D) (GREEN)	1	1002105
007	13319-ZG3-003	BEARING, CRANKSHAFT THRUST (D) (GREEN)	1	
007	13320-ZG3-003	BEARING, CRANKSHAFT THRUST (E) (YELLOW)	1	1002105
007	13320-ZG3-003	BEARING, CRANKSHAFT THRUST (E) (YELLOW)	1	
007	13328-ZG3-003	BEARING, CRANKSHAFT THRUST (F) (PINK)	1	
007	13328-ZG3-003	BEARING, CRANKSHAFT THRUST (F) (PINK)	1	
008	13350-ZG3-000	WEIGHT COMP., BALANCER	1	
<u>Ref</u>	<u>Partnumber</u>	<u>Description</u>	<u>GD410</u>	<u>Serial Numbers</u>
011	91001-ZG3-003	BEARING, SPECIAL, 6308 (NTN)	1	
013	91007-ZG3-000	BEARING, SPECIAL BALL, 6304 (B)	1	
014	91008-ZG3-000	BEARING, SPECIAL BALL, 6304 (C)	1	
016	95015-25200	SET RING, 520	1	

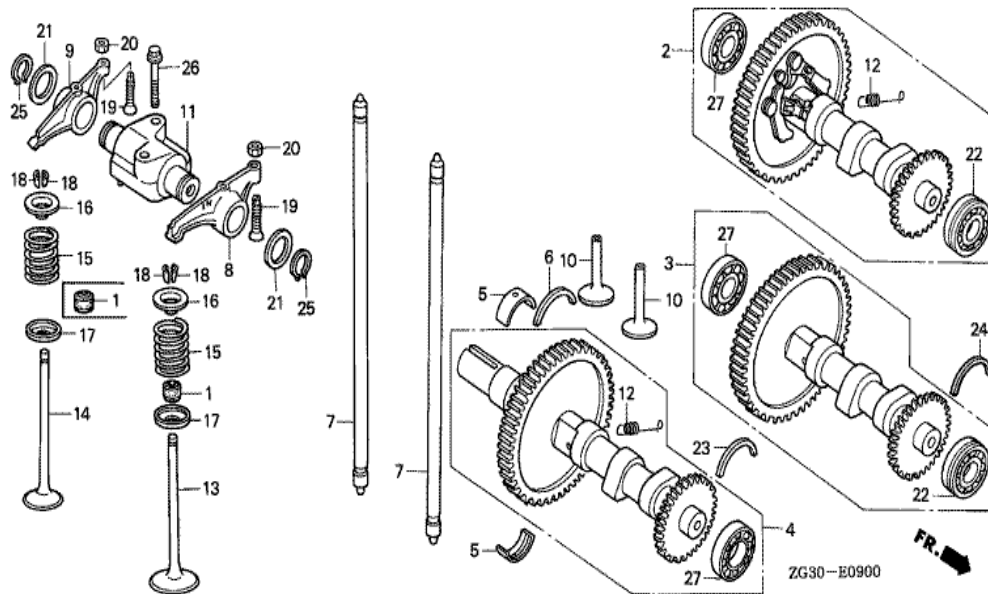
GD410(PA)	E-8 PISTON
-----------	------------



Ref	Partnumber	Description	GD410	Serial Numbers
001	13010-ZG3-000	RING SET, PISTON (STD.)	1	
001	13011-ZG3-000	RING SET, PISTON (0.25)	(1)	1005562
001	13011-ZG3-000	RING SET, PISTON (0.25)	(1)	
001	13012-ZG3-000	RING SET, PISTON (0.50)	(1)	1005562
001	13012-ZG3-000	RING SET, PISTON (0.50)	(1)	
001	13013-ZG3-000	RING SET, PISTON (0.75)	(1)	1005562
001	13013-ZG3-000	RING SET, PISTON (0.75)	(1)	
002	13101-ZG3-930	PISTON (STD.)	1	
002	13101-ZG3-930	PISTON (STD.)	1	
002	13104-ZG3-000	PISTON (0.25)	(1)	
002	13104-ZG3-000	PISTON (0.25)	(1)	
002	13105-ZG3-000	PISTON (0.50)	(1)	
002	13105-ZG3-000	PISTON (0.50)	(1)	

<u>Ref</u>	<u>Partnumber</u>	<u>Description</u>	<u>GD410</u>	<u>Serial Numbers</u>
002	13106-ZG3-000	PISTON (0.75)	(1)	
002	13106-ZG3-000	PISTON (0.75)	(1)	
003	13111-ZG3-000	PIN, PISTON	1	
004	13200-ZG3-000	ROD ASSY., CONNECTING	1	
005	13204-ZG3-003	BOLT, CONNECTING ROD, 8X51	2	
006	13205-ZG3-003	NUT, CONNECTING ROD	2	
007	13211-ZG3-003	BEARING, CONNECTING ROD (A) (BLUE)	2	
007	13212-ZG3-003	BEARING, CONNECTING ROD (B) (BLACK)	2	
007	13212-ZG3-003	BEARING, CONNECTING ROD (B) (BLACK)	2	
007	13213-ZG3-003	BEARING, CONNECTING ROD (C) (BROWN)	2	
007	13213-ZG3-003	BEARING, CONNECTING ROD (C) (BROWN)	2	
007	13214-ZG3-003	BEARING, CONNECTING ROD (D) (GREEN)	2	
007	13214-ZG3-003	BEARING, CONNECTING ROD (D) (GREEN)	2	
007	13215-ZG3-003	BEARING, CONNECTING ROD (E) (YELLOW)	2	
007	13215-ZG3-003	BEARING, CONNECTING ROD (E) (YELLOW)	2	
007	13216-ZG3-003	BEARING, CONNECTING ROD (F) (PINK)	2	
007	13216-ZG3-003	BEARING, CONNECTING ROD (F) (PINK)	2	
007	13217-ZG3-003	BEARING, CONNECTING ROD (G) (RED)	2	
007	13217-ZG3-003	BEARING, CONNECTING ROD (G) (RED)	2	
007	13232-ZG3-000	BEARING A, CONNECTING ROD (UNDER SIZE 0.	(2)	
007	13232-ZG3-000	BEARING A, CONNECTING ROD (UNDER SIZE 0.	(2)	
007	13233-ZG3-000	BEARING B, CONNECTING ROD (UNDER SIZE 0.	(2)	
007	13233-ZG3-000	BEARING B, CONNECTING ROD (UNDER SIZE 0.	(2)	
007	13234-ZG3-000	BEARING C, CONNECTING ROD (UNDER SIZE 0.	(2)	
007	13234-ZG3-000	BEARING C, CONNECTING ROD (UNDER SIZE 0.	(2)	
007	13236-ZG3-000	BEARING A, CONNECTING ROD (UNDER SIZE 0.	(2)	
007	13236-ZG3-000	BEARING A, CONNECTING ROD (UNDER SIZE 0.	(2)	
007	13237-ZG3-000	BEARING B, CONNECTING ROD (UNDER SIZE 0.	(2)	
007	13237-ZG3-000	BEARING B, CONNECTING ROD (UNDER SIZE 0.	(2)	
007	13238-ZG3-000	BEARING C, CONNECTING ROD (UNDER SIZE 0.	(2)	
007	13238-ZG3-000	BEARING C, CONNECTING ROD (UNDER SIZE 0.	(2)	
007	13242-ZG3-000	BEARING A, CONNECTING ROD (UNDER SIZE 0.	(2)	
007	13242-ZG3-000	BEARING A, CONNECTING ROD (UNDER SIZE 0.	(2)	
<u>Ref</u>	<u>Partnumber</u>	<u>Description</u>	<u>GD410</u>	<u>Serial Numbers</u>
007	13243-ZG3-000	BEARING B, CONNECTING ROD (UNDER SIZE 0.	(2)	
007	13243-ZG3-000	BEARING B, CONNECTING ROD (UNDER SIZE 0.	(2)	
007	13244-ZG3-000	BEARING C, CONNECTING ROD (UNDER SIZE 0.	(2)	
007	13244-ZG3-000	BEARING C, CONNECTING ROD (UNDER SIZE 0.	(2)	
008	90601-ZG3-000	CLIP, PISTON PIN	2	

GD410(PA)	E-9 CAMSHAFT
-----------	--------------



Ref	Partnumber	Description	GD410	Serial Numbers
001	12210-PD2-003	SEAL A, VALVE STEM (ARAI)	1	
001	12210-PD2-003	SEAL A, VALVE STEM (ARAI)	1	1006781
002	14100-ZG3-930	CAMSHAFT ASSY. (USA)	1	1009311 1019528
002	14100-ZG3-930	CAMSHAFT ASSY. (USA)	1	1019528
002	14100-ZG3-931	CAMSHAFT ASSY. (USA)	1	1019529
002	14100-ZG3-931	CAMSHAFT ASSY. (USA)	1	1019529
007	14410-ZG3-000	ROD, PUSH	2	
008	14421-ZG3-000	ARM, IN. VALVE ROCKER	1	
009	14431-ZG3-000	ARM, EX. VALVE ROCKER	1	
010	14441-ZE2-000	LIFTER, VALVE	2	
010	14441-ZE2-000	LIFTER, VALVE	2	1001160
011	14461-ZG3-000	SHAFT COMP., ROCKER ARM	1	
012	14568-ZG3-000	SPRING, WEIGHT RETURN	1	
Ref	Partnumber	Description	GD410	Serial Numbers
013	14711-ZG3-000	VALVE, IN.	1	
014	14721-ZG3-000	VALVE, EX.	1	
015	14751-ZG3-003	SPRING, VALVE	2	
016	14765-PG6-000	RETAINER, VALVE SPRING	2	
017	14775-ZG3-000	SEAT, VALVE SPRING	2	
018	14781-MB9-000	COTTER, VALVE	4	
019	90012-ZG3-000	SCREW, TAPPET ADJUSTING	2	
020	90206-001-000	NUT, TAPPET ADJUSTING	2	
021	90448-KE1-000	WASHER, THRUST, 16MM	2	
022	91002-ZG3-003	BEARING, SPECIAL BALL, 6204 (A) (NTN)	1	
024	91006-ZG3-000	SET RING, 470	1	
025	94510-16000	CIRCLIP, EXTERNAL, 16MM	2	
026	95701-0603500	BOLT, FLANGE, 6X35	2	
027	96100-6204300	BEARING, RADIAL BALL, 6204	1	