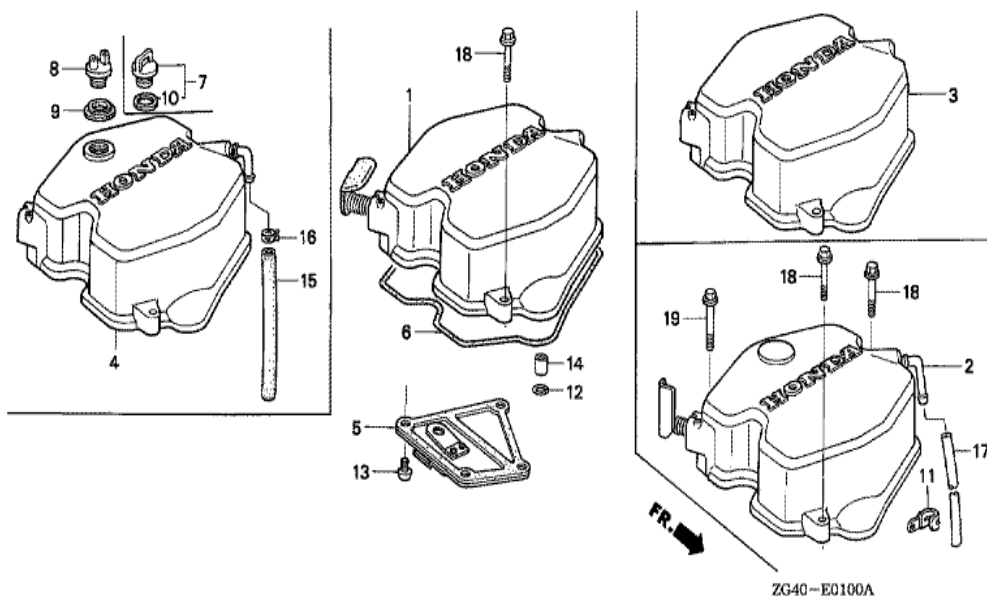


GD320(WAA)

E-1 CYLINDER HEAD COVER

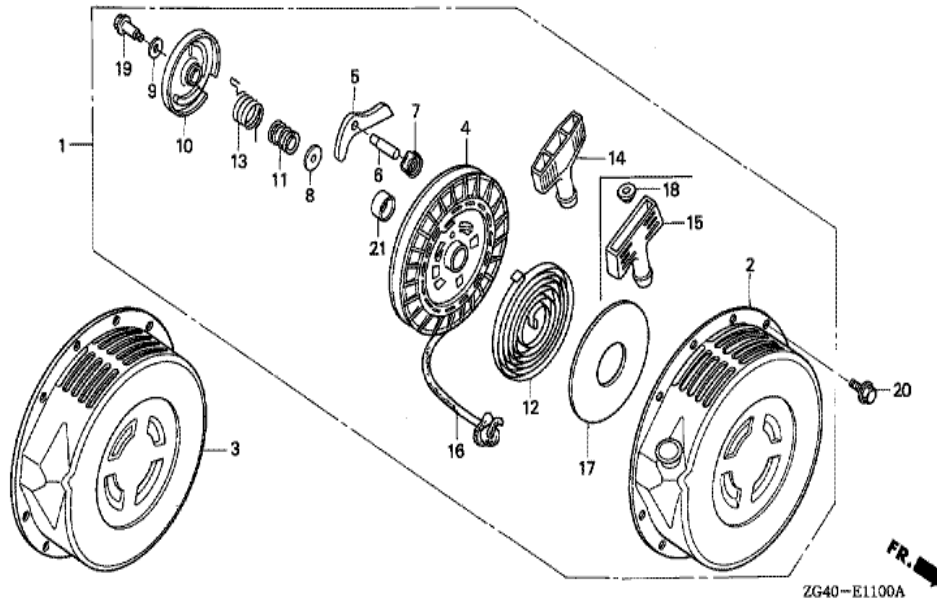


ZG40-E0180A

| Ref | Partnumber | Description | GD320 | Serial Numbers |
|-----|---------------|-----------------------|-------|----------------|
| 003 | 12311-ZG3-010 | COVER, CYLINDER HEAD | 1 | 1001477 |
| 005 | 12380-ZG3-000 | PLATE COMP., BREATHER | 1 | |
| 006 | 12391-ZG3-000 | O-RING, HEAD COVER | 1 | |
| 012 | 51866-SA5-801 | O-RING | 1 | |
| 013 | 90009-ZG3-000 | SCREW, PAN, 6X8 | 4 | 1006090 |
| 013 | 93500-060080A | SCREW, PAN, 6X8 | 4 | 1006091 |
| 014 | 94301-06100 | DOWEL PIN, 6X10 | 1 | |
| 018 | 95701-0603200 | BOLT, FLANGE, 6X32 | 3 | 1001170 |

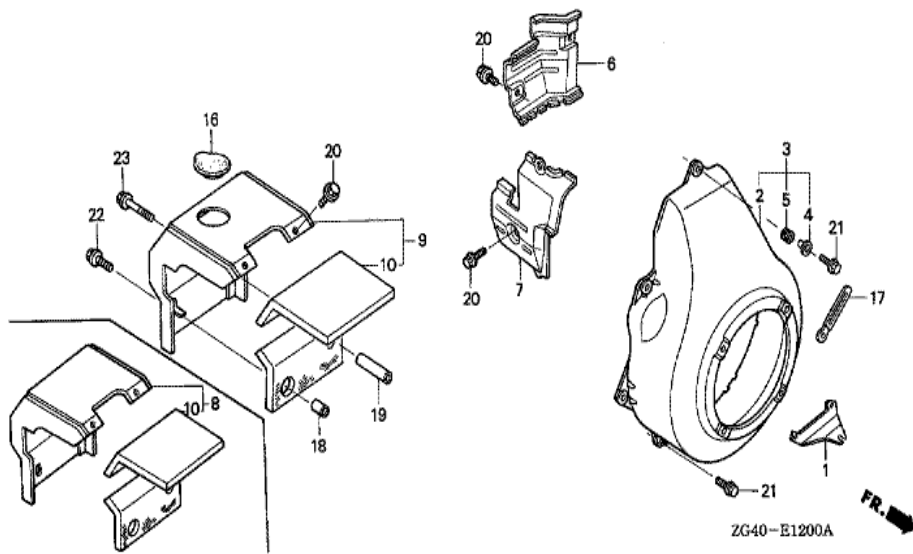
GD320(WAA)

E-11 RECOIL STARTER



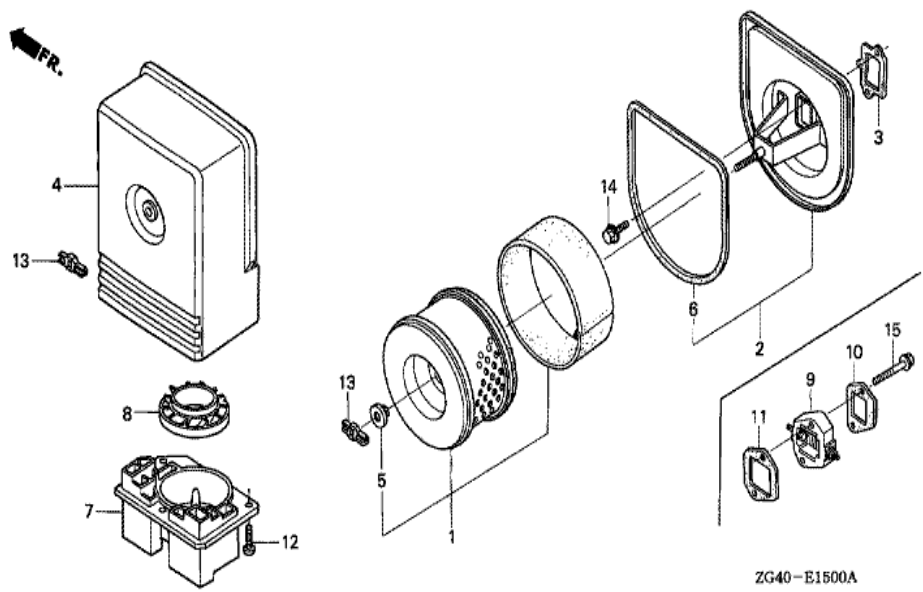
| <u>Ref</u> | <u>Partnumber</u> | <u>Description</u> | <u>GD320</u> | <u>Serial Numbers</u> |
|------------|-------------------|--|--------------|-----------------------|
| 001 | 28400-ZG3-003ZA | STARTER ASSY., RECOIL *NH116M * | 1 | 1000113 |
| 002 | 28410-ZG3-003ZA | CASE COMP., STARTER *NH116M * | 1 | 1000113 |
| 004 | 28420-ZE8-811 | REEL COMP., STARTER | 1 | 1000113 |
| 005 | 28422-ZG3-004 | RATCHET, STARTER | 1 | 1000114 |
| 006 | 28423-ZG3-004 | SHAFT, RATCHET | 1 | 1000114 |
| 007 | 28424-ZE1-712 | PLATE, GUIDE | 1 | 1000114 |
| 008 | 28431-ZG3-004 | PLATE A, FRICTION | 1 | 1000114 |
| 009 | 28432-ZG0-004 | PLATE B, FRICTION | 1 | 1000114 |
| 010 | 28434-ZE8-812 | COVER, STARTER REEL | 1 | 1000114 |
| 011 | 28441-ZG3-004 | SPRING, FRICTION (D=13.0MM / L=16.3MM) | 1 | 1000114 |
| 012 | 28442-ZE1-713 | SPRING, RETURN | 1 | 1000114 |
| 013 | 28449-ZG3-004 | SPRING, TORSION | 1 | 1000114 |
| 015 | 28461-ZG3-004 | GRIP, STARTER | 1 | 1000114 |
| <u>Ref</u> | <u>Partnumber</u> | <u>Description</u> | <u>GD320</u> | <u>Serial Numbers</u> |
| 016 | 28462-ZG3-004 | ROPE, STARTER | 1 | 1000114 |
| 018 | 28469-ZE2-W01 | REINFORCEMENT, GRIP | 1 | 1000114 |
| 019 | 90003-ZG3-004 | BOLT, 6MM | 1 | 1000114 |
| 020 | 90011-ZG0-000 | BOLT, FLANGE, 6X8 | 4 | |
| 021 | 91501-ZG3-004 | COLLAR | 1 | 1000114 |

| | |
|------------|----------------|
| GD320(WAA) | E-12 FAN COVER |
|------------|----------------|



| Ref | Partnumber | Description | GD320 | Serial Numbers |
|-----|-----------------|----------------------------|-------|----------------|
| 002 | 19610-ZG4-000ZA | COVER COMP., FAN *NH116M * | 1 | |
| 006 | 19631-ZG4-000 | SHROUD (A) | 1 | |
| 007 | 19632-ZG4-000 | SHROUD (B) | 1 | |
| 020 | 95701-0601200 | BOLT, FLANGE, 6X12 | 4 | |
| 021 | 95701-0601200 | BOLT, FLANGE, 6X12 | 7 | |

| | |
|------------|------------------|
| GD320(WAA) | E-15 AIR CLEANER |
|------------|------------------|

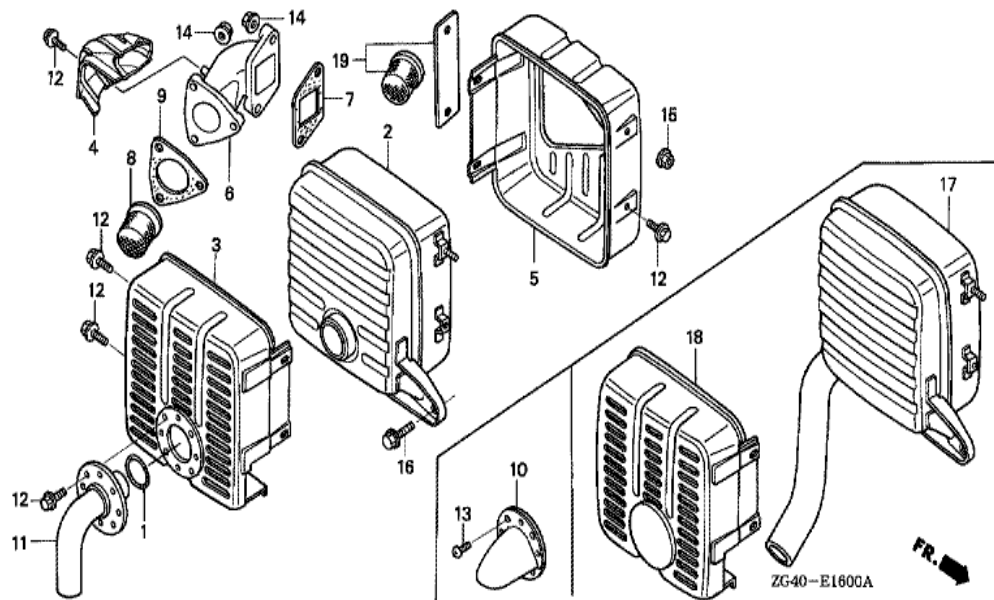


ZG40-E1500A

| Ref | Partnumber | Description | GD320 | Serial Numbers |
|-----|---------------|--|-------|----------------|
| 001 | 17210-ZG3-801 | ELEMENT COMP., AIR CLEANER (WET) | (1) | |
| 002 | 17220-ZG3-003 | CASE COMP., AIR CLEANER | (1) | |
| 003 | 17228-ZG3-000 | PACKING, AIR CLEANER | 1 | 1008874 |
| 003 | 17228-ZG3-800 | PACKING, AIR CLEANER (NON ASBESTOS) | 1 | 1008875 |
| 004 | 17230-ZG3-000 | COVER COMP., AIR CLEANER | (1) | |
| 005 | 17232-ZG3-003 | GROMMET, AIR CLEANER | (1) | |
| 006 | 17406-ZG3-000 | PACKING, AIR CLEANER CASE | (1) | |
| 007 | 17471-ZG3-000 | CASE, PRE CLEANER | (1) | |
| 008 | 17476-ZG3-003 | GUIDE, PRE AIR CLEANER | (1) | |
| 012 | 90142-MB0-000 | SCREW, PAN, 5X16.5 | (3) | |
| 013 | 90203-PB2-000 | NUT, AIR CLEANER COVER (DACRO COATING) | (2) | |
| 014 | 95701-0802200 | BOLT, FLANGE, 8X22 | 2 | |

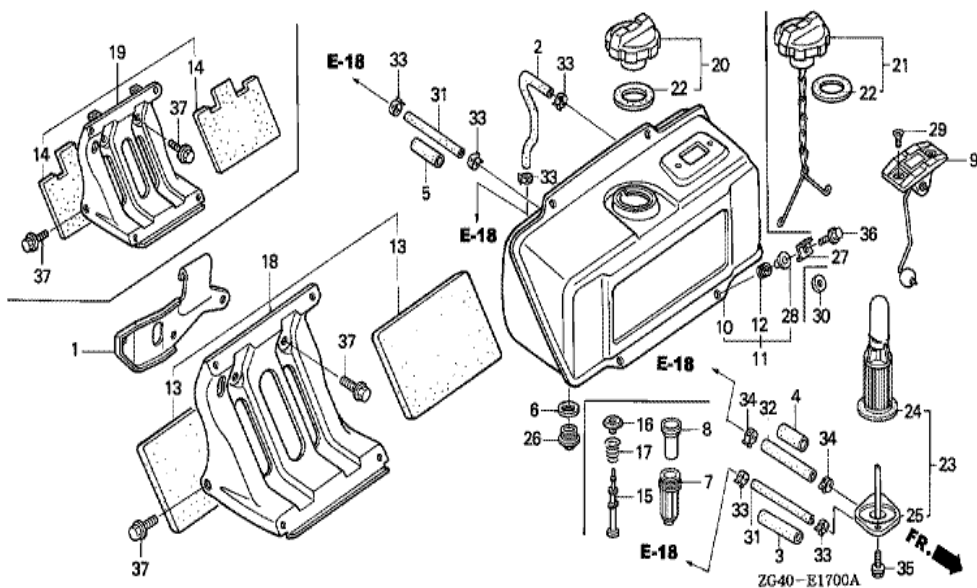
GD320(WAA)

E-16 MUFFLER (1)



| <u>Ref</u> | <u>Partnumber</u> | <u>Description</u> | <u>GD320</u> | <u>Serial Numbers</u> |
|------------|-------------------|---------------------------------|--------------|-----------------------|
| 002 | 18310-ZG3-003 | MUFFLER COMP. | (1) | |
| 003 | 18321-ZG3-003 | PROTECTOR A, MUFFLER | (1) | |
| 005 | 18325-ZG3-003 | PROTECTOR B, MUFFLER | (1) | |
| 006 | 18331-ZG3-000 | PIPE, EX. | (1) | |
| 007 | 18333-ZG3-000 | GASKET, EX. PIPE | 1 | 1008212 |
| 007 | 18333-ZG3-800 | GASKET, EX. PIPE (NON ASBESTOS) | 1 | 1008213 |
| 008 | 18355-ZG3-000 | ARRESTER, SPARK | (1) | |
| 009 | 18381-ZG3-000 | GASKET, MUFFLER | 1 | 1008212 |
| 009 | 18381-ZG3-800 | GASKET, MUFFLER (NON ASBESTOS) | 1 | 1008213 |
| 010 | 18431-ZG3-800 | DEFLECTOR, MUFFLER | (1) | |
| 012 | 90002-ZG3-000 | BOLT, FLANGE, 5X8 | 3 | |
| 013 | 93500-050080B | SCREW, PAN, 5X8 | (4) | |
| 014 | 94050-08000 | NUT, FLANGE, 8MM | (5) | |
| <u>Ref</u> | <u>Partnumber</u> | <u>Description</u> | <u>GD320</u> | <u>Serial Numbers</u> |
| 015 | 94050-08020 | NUT, FLANGE, 8MM | 1 | |
| 016 | 95701-0802000 | BOLT, FLANGE, 8X20 | 1 | |

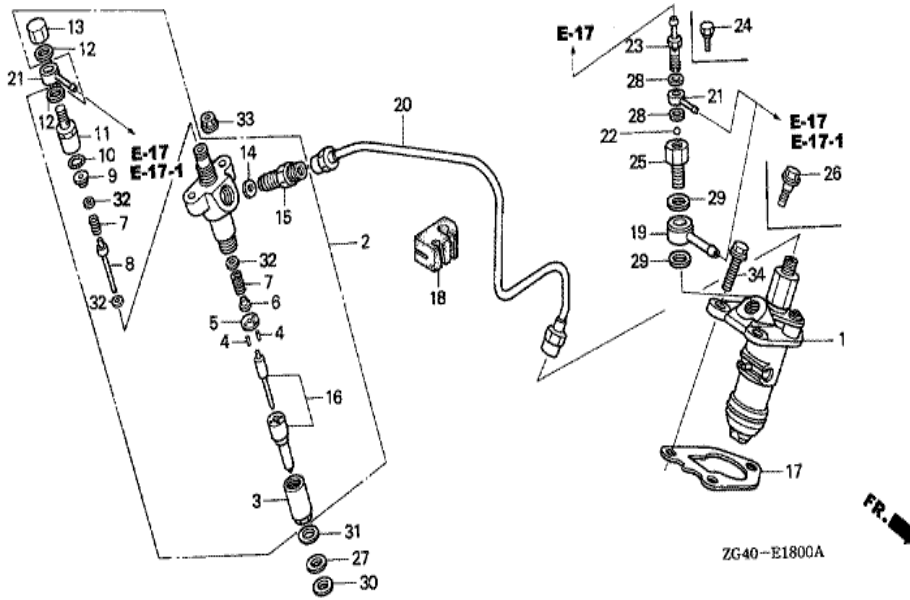
| | |
|------------|--------------------|
| GD320(WAA) | E-17 FUEL TANK (1) |
|------------|--------------------|



| <u>Ref</u> | <u>Partnumber</u> | <u>Description</u> | <u>GD320</u> | <u>Serial Numbers</u> |
|------------|-------------------|--|--------------|-----------------------|
| 001 | 11911-ZG3-000 | HANGER, ENGINE | 1 | |
| 002 | 16346-ZG4-000 | TUBE, FUEL | (1) | |
| 003 | 16854-ZG3-000 | RUBBER, SUPPORTER (9X48) | (1) | |
| 004 | 16857-ZG3-000 | RUBBER, SUPPORTER (B) | (1) | |
| 005 | 16858-ZG3-000 | RUBBER, SUPPORTER (9X30) | (1) | |
| 006 | 16963-443-901 | GASKET | (1) | |
| 009 | 17505-ZG3-801 | GAUGE ASSY., FUEL | (1) | |
| 010 | 17510-ZG3-800ZA | TANK COMP., FUEL (GAUGE) *R8 * | (1) | |
| 013 | 17535-ZG3-000 | SEAT, TANK STAY | (2) | |
| 018 | 17560-ZG3-000 | STAY COMP., FUEL TANK | (1) | |
| 020 | 17620-ZG3-003 | CAP COMP., FUEL FILLER | (1) | |
| 022 | 17631-329-003 | PACKING, FUEL FILLER CAP (39X58X3) | (1) | |
| 023 | 17670-ZG3-013 | FILTER ASSY., FUEL | 1 | 1003264 |
| <u>Ref</u> | <u>Partnumber</u> | <u>Description</u> | <u>GD320</u> | <u>Serial Numbers</u> |
| 024 | 17682-ZG3-003 | STRAINER COMP. | (1) | |
| 025 | 17687-ZG3-013 | BODY, STRAINER | 1 | 1003264 |
| 026 | 90021-ZG3-003 | BOLT, DRAIN | (1) | |
| 027 | 90407-ZG3-010 | WASHER, SPECIAL, 6MM | 4 | 1003237 |
| 029 | 93600-050100A | SCREW, FLAT, 5X10 | (2) | |
| 031 | 95001-4510040 | TUBE, FUEL, 4.5X100 (95001-450 (95001-45 | (2) | |
| 032 | 95001-8009040 | TUBE, FUEL, 8X90 (95001-80001-60M) | (1) | |
| 033 | 95002-4080008 | CLAMP, TUBE (D8) | 6 | 1000079 |
| 034 | 95002-4125008 | CLAMP, TUBE (D12.5) | 2 | 1000079 |
| 035 | 95701-0601200 | BOLT, FLANGE, 6X12 | (2) | |
| 036 | 95701-0601400 | BOLT, FLANGE, 6X14 | (4) | |
| 037 | 95701-0802200 | BOLT, FLANGE, 8X22 | (4) | |

GD320(WAA)

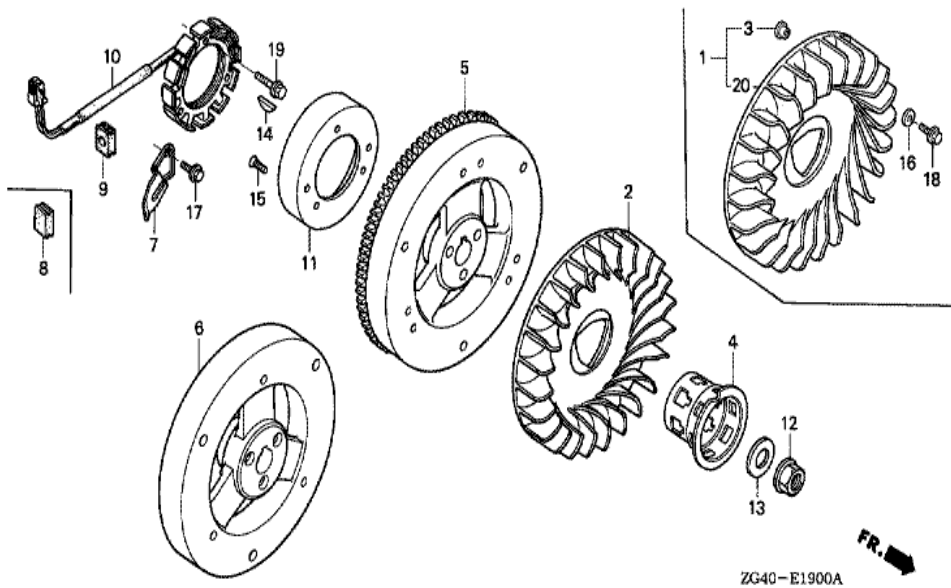
E-18 FUEL INJECTION PUMP



| Ref | Partnumber | Description | GD320 | Serial Numbers |
|-----|---------------|----------------------------|-------|----------------|
| 001 | 16300-ZG3-931 | PUMP ASSY., FUEL INJECTION | 1 | 1005010 |
| 002 | 16410-ZG3-013 | NOZZLE & HOLDER ASSY. | 1 | |
| 003 | 16413-ZG3-003 | NUT, RETAINING | 1 | |
| 004 | 16414-ZG3-003 | PIN (1.78X9.3) | 2 | |
| 005 | 16415-ZG3-003 | SPACER | 1 | |
| 006 | 16416-ZG3-003 | SEAT, SPRING (A) | 1 | |
| 007 | 16417-ZG3-003 | SPRING, NOZZLE | 2 | |
| 008 | 16418-ZG3-003 | ROD, PUSH | 1 | |
| 009 | 16419-ZG3-003 | SEAT, SPRING (B) | 1 | |
| 010 | 16421-ZG3-003 | O-RING | 1 | |
| 011 | 16422-ZG3-003 | NUT, CAP | 1 | |
| 012 | 16423-ZG3-003 | GASKET A | 2 | |
| 013 | 16424-ZG3-003 | NUT | 1 | |

| <u>Ref</u> | <u>Partnumber</u> | <u>Description</u> | <u>GD320</u> | <u>Serial Numbers</u> |
|------------|-------------------|--|--------------|-----------------------|
| 014 | 16425-ZG3-003 | GASKET B | 1 | |
| 015 | 16426-ZG3-003 | CONNECTOR, IN. | 1 | |
| 016 | 16431-ZG3-003 | NOZZLE | 1 | |
| 017 | 16441-ZG3-000 | GASKET, FUEL INJECTION PUMP (C) (0.2) | (1) | |
| 017 | 16442-ZG3-000 | GASKET, FUEL INJECTION PUMP (D) (0.3) | (1) | |
| 017 | 16443-ZG3-000 | GASKET, FUEL INJECTION PUMP (E) (0.4) | (1) | |
| 017 | 16444-ZG3-000 | GASKET, FUEL INJECTION PUMP (A) (0.1) | (1) | |
| 017 | 16445-ZG3-000 | GASKET, FUEL INJECTION PUMP (B) (0.15) | (1) | |
| 017 | 16451-ZG3-000 | GASKET, FUEL INJECTION PUMP (F) (0.5) | (1) | |
| 017 | 16452-ZG3-000 | GASKET, FUEL INJECTION PUMP (G) (0.6) | (1) | |
| 018 | 16447-ZG3-000 | RUBBER, FUEL TUBE CLAMP | 1 | |
| 019 | 16449-ZG3-000 | JOINT, FUEL | 1 | |
| 020 | 16455-ZG4-000 | PIPE A, FUEL | 1 | |
| 021 | 16647-ZG3-000 | JOINT, AIR BREATHER (B) | 2 | |
| 022 | 16648-ZG3-000 | BALL, CHECK | 1 | 1001107 |
| 023 | 90025-ZG3-000 | BOLT, AIR BREATHER, 8X20 | 1 | |
| 025 | 90027-ZG3-000 | BOLT, FUEL JOINT, 12X25.5 | 1 | |
| 026 | 90161-744-000 | BOLT, ROTARY TRANSMISSION | 2 | 1007019 |
| 027 | 90402-ZG3-880 | WASHER, PLAIN, 7MM | 1 | 1006485 |
| 028 | 90403-ZG3-000 | WASHER, 8MM | 2 | |
| 029 | 90418-ZG3-000 | WASHER, FUEL JOINT | 2 | |
| 030 | 90455-ZG3-880 | GASKET, SPECIAL, 7MM | 1 | 1006485 |
| 031 | 90451-ZG3-000 | GASKET A, NOZZLE (0.8) | 1 | 1006485 |
| 031 | 90452-ZG3-000 | GASKET B, NOZZLE (1.0) | 1 | 1006485 |
| 031 | 90453-ZG3-000 | GASKET C, NOZZLE (1.2) | 1 | |
| 031 | 90454-ZG3-000 | GASKET D, NOZZLE (1.4) | 1 | 1006485 |
| 032 | 90460-ZG3-003 | SHIM A (0.50) | (N) | |
| 032 | 90461-ZG3-003 | SHIM B (0.51) | (N) | |
| 032 | 90462-ZG3-003 | SHIM C (0.52) | (N) | |
| 032 | 90463-ZG3-003 | SHIM D (0.53) | (N) | |
| 032 | 90464-ZG3-003 | SHIM E (0.54) | (N) | |
| 032 | 90465-ZG3-003 | SHIM F (0.55) | (N) | |
| 032 | 90466-ZG3-003 | SHIM G (0.56) | (N) | |
| <u>Ref</u> | <u>Partnumber</u> | <u>Description</u> | <u>GD320</u> | <u>Serial Numbers</u> |
| 032 | 90467-ZG3-003 | SHIM H (0.57) | (N) | |
| 032 | 90468-ZG3-003 | SHIM I (0.58) | (N) | |
| 032 | 90469-ZG3-003 | SHIM J (0.59) | (N) | |
| 032 | 90470-ZG3-003 | SHIM K (0.60) | (N) | |
| 032 | 90471-ZG3-003 | SHIM L (0.70) | (N) | |
| 032 | 90472-ZG3-003 | SHIM M (0.80) | (N) | |
| 032 | 90473-ZG3-003 | SHIM N (0.90) | (N) | |
| 033 | 94050-06000 | NUT, FLANGE, 6MM | 2 | |
| 034 | 95701-0802500 | BOLT, FLANGE, 8X25 | 3 | 1007018 |
| 034 | 95701-0802500 | BOLT, FLANGE, 8X25 | 1 | 1007019 |

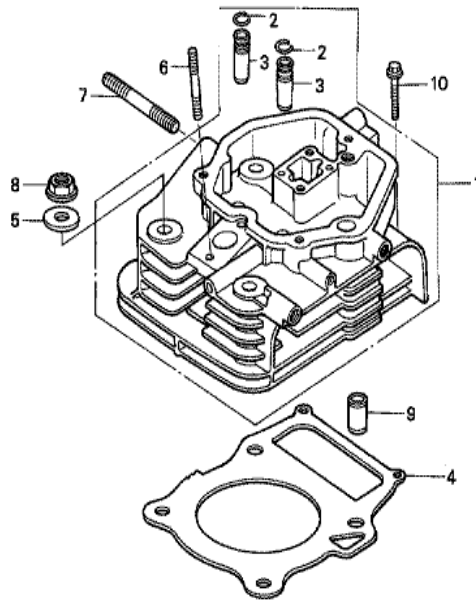
| | |
|------------|---------------|
| GD320(WAA) | E-19 FLYWHEEL |
|------------|---------------|



| Ref | Partnumber | Description | GD320 | Serial Numbers |
|-----|---------------|---------------------|-------|----------------|
| 002 | 19511-ZG4-000 | FAN, COOLING | 1 | |
| 004 | 28451-ZG4-000 | PULLEY, STARTER | 1 | 1000218 |
| 006 | 31101-ZG4-880 | FLYWHEEL (N3) | 1 | 1005010 |
| 008 | 31512-ZE8-000 | GROMMET, CORD | (1) | |
| 012 | 90201-ZG3-000 | NUT, FLANGE, 20MM | 1 | |
| 013 | 90401-ZG3-000 | WASHER, 20MM | 1 | |
| 014 | 90741-ZG3-000 | KEY, WOODRUFF, 50X7 | 1 | |

GD320(WAA)

E-2 CYLINDER HEAD



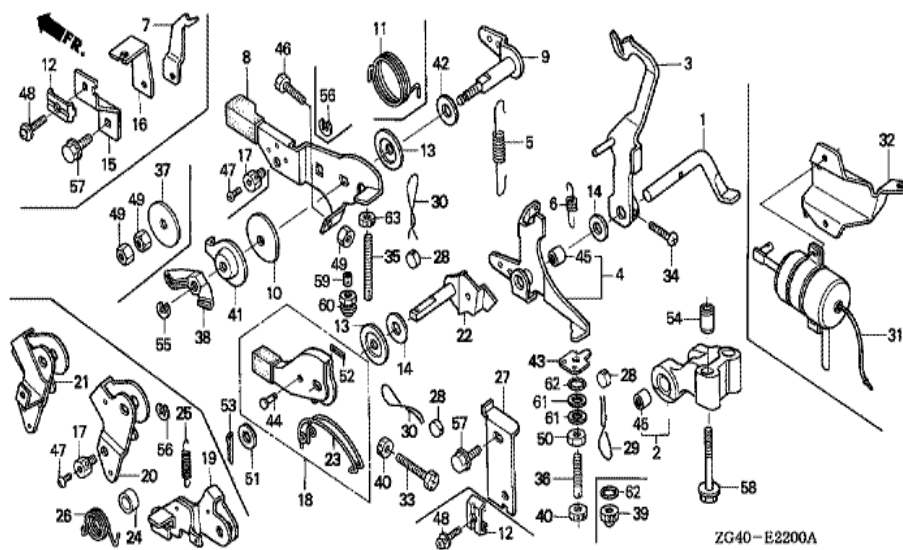
ZG40-E0200A



| Ref | Partnumber | Description | GD320 | Serial Numbers |
|-----|---------------|---------------------------------|-------|----------------|
| 001 | 12200-ZG4-010 | HEAD COMP., CYLINDER | 1 | 1001170 |
| 002 | 12216-ZE2-300 | CLIP, VALVE GUIDE | 2 | |
| 003 | 12218-ZG3-003 | GUIDE, VALVE (O.S.) | (2) | |
| 004 | 12251-ZG4-003 | GASKET, CYLINDER HEAD (A) (1.1) | 1 | |
| 004 | 12252-ZG4-003 | GASKET, CYLINDER HEAD (B) (1.2) | 1 | |
| 004 | 12253-ZG4-003 | GASKET, CYLINDER HEAD (C) (1.3) | 1 | |
| 005 | 90404-ZG3-000 | WASHER, 10MM | 4 | |
| 006 | 92900-060323B | BOLT, STUD, 6X32 | 2 | |
| 007 | 92900-080280B | BOLT, STUD, 8X28 | 2 | |
| 008 | 94050-10000 | NUT, FLANGE, 10MM | 4 | |
| 009 | 94301-12200 | DOWEL PIN, 12X20 | 2 | |
| 010 | 95701-0602800 | BOLT, FLANGE, 6X28 | 2 | |

GD320(WAA)

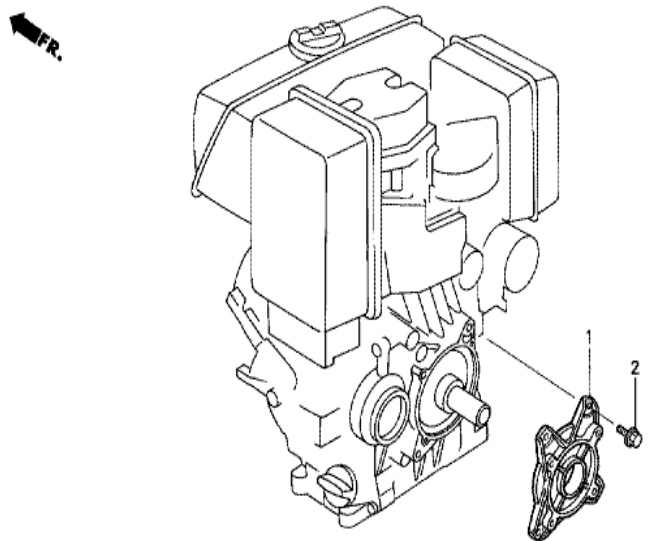
E-22 CONTROL



| Ref | Partnumber | Description | GD320 | Serial Numbers |
|-----|---------------|---------------------------|-------|----------------|
| 001 | 16541-ZG3-000 | SHAFT, GOVERNOR ARM | 1 | |
| 002 | 16544-ZG3-000 | STAY, GOVERNOR SHAFT | 1 | |
| 003 | 16550-ZG3-000 | ARM COMP., GOVERNOR | 1 | |
| 004 | 16558-ZG3-010 | ARM COMP., SUB GOVERNOR | 1 | 1001170 |
| 005 | 16561-ZG3-000 | SPRING, GOVERNOR | 1 | |
| 006 | 16563-ZG3-000 | SPRING, IDLE | 1 | 1008489 |
| 006 | 16563-ZG3-010 | SPRING, IDLE | 1 | 1008490 |
| 008 | 16571-ZG3-010 | LEVER, CONTROL | 1 | 1003459 |
| 009 | 16572-ZG3-000 | SHAFT, CONTROL LEVER | 1 | |
| 010 | 16574-ZG3-000 | SPRING, LEVER | (1) | |
| 013 | 16577-ZG3-000 | SPACER, CONTROL LEVER (A) | 1 | |
| 014 | 16578-ZG3-000 | SPACER, CONTROL LEVER (B) | 1 | |
| 018 | 16630-ZG3-000 | LEVER COMP., STOP | (1) | |

| <u>Ref</u> | <u>Partnumber</u> | <u>Description</u> | <u>GD320</u> | <u>Serial Numbers</u> |
|------------|-------------------|---------------------------------|--------------|-----------------------|
| 022 | 16632-ZG3-000 | SHAFT, STOP LEVER | (1) | |
| 023 | 16633-ZG3-300 | SPRING, STOP LEVER | (1) | |
| 027 | 16645-ZG3-000 | HOLDER COMP., STOP CABLE | 1 | 1000473 |
| 028 | 16727-705-000 | END, LOCK | 1 | |
| 029 | 16728-ZG3-000 | WIRE, LOCK (A) | 1 | |
| 030 | 16729-ZG3-000 | WIRE, LOCK (B) | 2 | |
| 033 | 90007-ZG3-000 | BOLT, RECESSED, 6X32 | (1) | |
| 034 | 90010-ZG3-000 | SCREW, PAN, 3X18 | 1 | |
| 035 | 90045-ZG3-000 | BOLT, CONTROL ADJUSTING | (1) | |
| 036 | 90102-ZG3-000 | BOLT, ADJUSTING | 1 | |
| 038 | 90203-679-000 | NUT, PLUG COVER | (1) | |
| 040 | 90206-ZG3-000 | NUT, HEX., 6MM | 1 | |
| 041 | 90405-ZG3-000 | WASHER, 6X30 | (1) | |
| 042 | 16578-ZG3-000 | SPACER, CONTROL LEVER (B) | 1 | |
| 043 | 90426-ZG3-000 | WASHER, SEALING | 1 | |
| 044 | 90751-ZG3-300 | PIN, CENTER, 4X16.5 | (1) | |
| 045 | 91024-KG4-004 | BEARING, NEEDLE, 8X12X10 (TOYO) | 2 | |
| 046 | 92301-060200A | BOLT, RECESSED, 6X20 | (1) | |
| 049 | 94001-060000S | NUT, HEX., 6MM | (3) | |
| 050 | 94001-062800S | NUT, HEX., 6MM | 1 | |
| 051 | 94102-08000 | WASHER, PLAIN, 8MM | (1) | |
| 052 | 94201-16080 | PIN, SPLIT, 1.6 | (1) | |
| 053 | 94201-25150 | PIN, SPLIT, 2.5X15 | (1) | |
| 054 | 94301-08140 | DOWEL PIN, 8X14 | 2 | |
| 055 | 94540-03010 | E-RING, 3MM | (1) | |
| 057 | 95701-0601600 | BOLT, FLANGE, 6X16 | (2) | |
| 058 | 95701-0604009 | BOLT, FLANGE, 6X40 | 2 | |
| 063 | 90206-ZG3-000 | NUT, HEX., 6MM | (1) | |

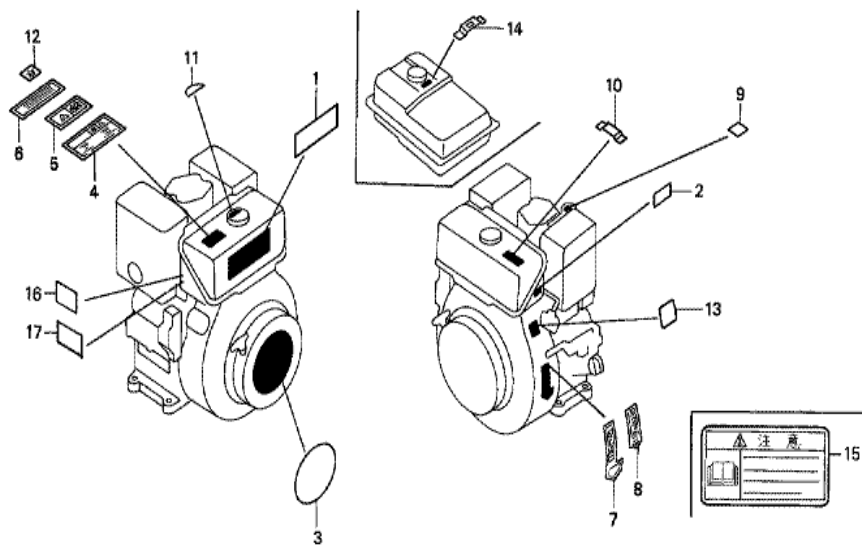
| | |
|------------|--------------------|
| GD320(WAA) | E-25 P.T.O. FLANGE |
|------------|--------------------|



ZG40-E2500A

| Ref | Partnumber | Description | GD320 | Serial Numbers |
|-----|---------------|---------------------|-------|----------------|
| 001 | 11515-ZG4-630 | FLANGE, P.T.O. | 1 | |
| 002 | 95701-1003000 | BOLT, FLANGE, 10X30 | 4 | |

| | |
|------------|------------|
| GD320(WAA) | E-28 LABEL |
|------------|------------|

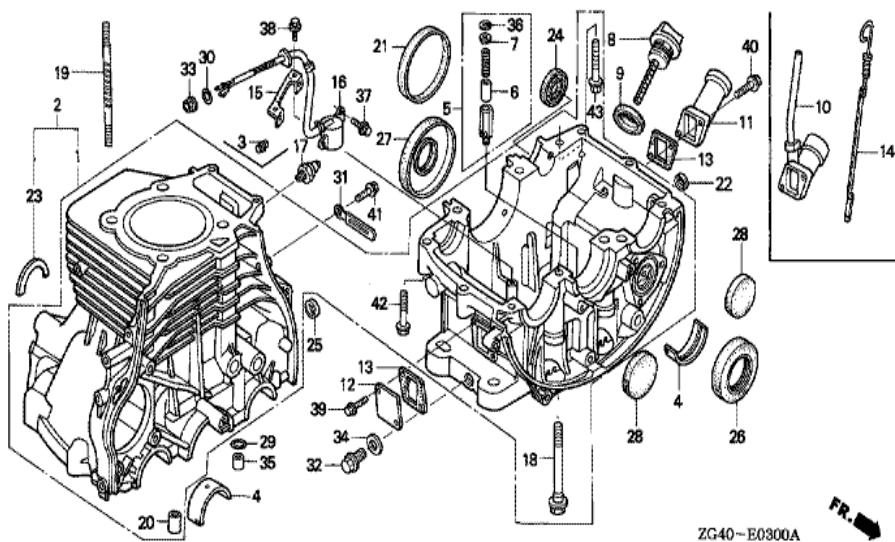


ZG40-E2800

| Ref | Partnumber | Description | GD320 | Serial Numbers |
|-----|---------------|-----------------------------|-------|----------------|
| 001 | 87101-ZG4-000 | EMBLEM (GD320) | (1) | |
| 003 | 87521-ZG3-000 | PLATE, EMBLEM | 1 | 1001475 |
| 004 | 87522-ZG4-800 | LABEL, CAUTION | (1) | |
| 007 | 87532-ZG3-800 | MARK, THROTTLE (ENGLISH) | (1) | |
| 010 | 87565-ZG3-810 | MARK, FUEL (EXTERNAL) | (1) | |
| 011 | 87592-ZG3-800 | MARK, USE FUEL (ENGLISH) | 1 | |
| 013 | 87594-ZG3-800 | MARK, OIL CAUTION (ENGLISH) | (1) | |

GD320(WAA)

E-3 CYLINDER BARREL

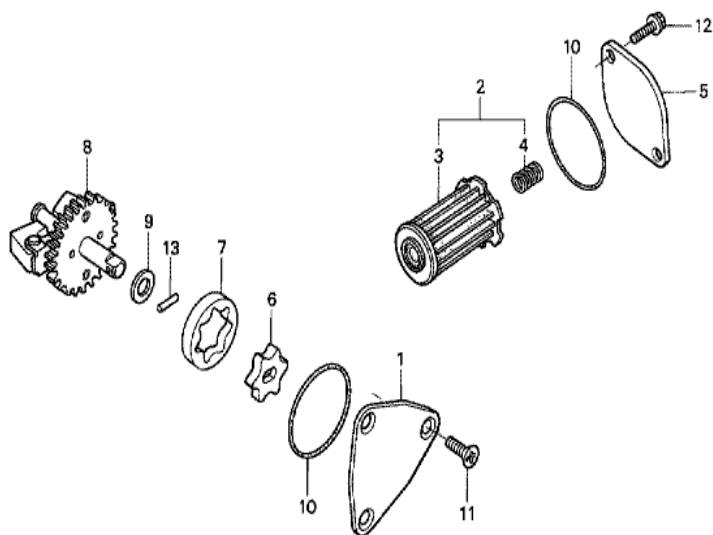


ZG40-E0300A

| Ref | Partnumber | Description | GD320 | Serial Numbers |
|-----|---------------|--|-------|----------------|
| 002 | 12000-ZG4-630 | BARREL ASSY., CYLINDER | 1 | 1001197 |
| 004 | 13321-ZG4-003 | BEARING A, MAIN (BLUE) | 2 | |
| 004 | 13322-ZG4-003 | BEARING B, MAIN (BLACK) | 2 | |
| 004 | 13323-ZG4-003 | BEARING C, MAIN (BROWN) | 2 | |
| 004 | 13324-ZG4-003 | BEARING D, MAIN (GREEN) | 2 | |
| 004 | 13325-ZG4-003 | BEARING E, MAIN (YELLOW) | 2 | |
| 004 | 13326-ZG4-003 | BEARING F, MAIN (PINK) | 2 | |
| 004 | 13327-ZG4-003 | BEARING G, MAIN (RED) | 2 | |
| 004 | 13332-ZG4-000 | BEARING A, MAIN (UNDER SIZE 0.25) (BLACK | (2) | |
| 004 | 13333-ZG4-000 | BEARING B, MAIN (UNDER SIZE 0.25) (BROWN | (2) | |
| 004 | 13334-ZG4-000 | BEARING C, MAIN (UNDER SIZE 0.25) (GREEN | (2) | |
| 004 | 13336-ZG4-000 | BEARING A, MAIN (UNDER SIZE 0.50) (BLACK | (2) | |
| 004 | 13337-ZG4-000 | BEARING B, MAIN (UNDER SIZE 0.50) (BROWN | (2) | |

| <u>Ref</u> | <u>Partnumber</u> | <u>Description</u> | <u>GD320</u> | <u>Serial Numbers</u> |
|------------|-------------------|--|--------------|-----------------------|
| 004 | 13338-ZG4-000 | BEARING C, MAIN (UNDER SIZE 0.50) (GREEN | (2) | |
| 004 | 13342-ZG4-000 | BEARING A, MAIN (UNDER SIZE 0.75) (BLACK | (2) | |
| 004 | 13343-ZG4-000 | BEARING B, MAIN (UNDER SIZE 0.75) (BROWN | (2) | |
| 004 | 13344-ZG4-000 | BEARING C, MAIN (UNDER SIZE 0.75) (GREEN | (2) | |
| 005 | 15220-413-020 | VALVE ASSY., RELIEF | 1 | |
| 006 | 15231-413-020 | VALVE, RELIEF | 1 | |
| 007 | 15233-413-000 | SEAT, RELIEF VALVE | 1 | |
| 008 | 15620-ZG3-000 | CAP, OIL FILLER | 1 | |
| 009 | 15625-ZE8-000 | PACKING, OIL FILLER CAP | 1 | 1003942 |
| 011 | 15631-ZG3-000 | EXTENSION, OIL FILLER | 1 | |
| 012 | 15634-ZG3-000 | PLATE, EXTENSION | 1 | |
| 013 | 15635-ZG3-000 | PACKING, EXTENSION OIL FILLER | 2 | 1008874 |
| 013 | 15635-ZG3-800 | PACKING, EXTENSION OIL FILLER (NON ASBES | 2 | 1008875 |
| 018 | 90005-ZG3-003 | BOLT-WASHER, 11X115 | (4) | |
| 019 | 90020-ZG3-003 | BOLT, STUD, 10X103.5 | 4 | |
| 020 | 90715-PC6-000 | DOWEL PIN, 13X20 | (3) | |
| 023 | 91003-ZG4-000 | SET RING, 80 | 1 | |
| 025 | 91201-ZE9-003 | OIL SEAL, 8X14X5 | 1 | |
| 026 | 91201-ZG4-003 | OIL SEAL, 37X64X10 | 1 | 1001170 |
| 027 | 91202-ZG4-003 | OIL SEAL, 31X80X10 | 1 | 1001170 |
| 028 | 91204-ZG3-003 | PLUG, SEALING, 47MM | 2 | 1001431 |
| 029 | 91301-812-000 | O-RING, 10MM | 1 | |
| 032 | 92800-14000 | BOLT, DRAIN PLUG, 14MM | 1 | |
| 034 | 94109-14000 | WASHER, DRAIN PLUG, 14MM | 1 | |
| 035 | 94301-10160 | DOWEL PIN, 10X16 | 1 | |
| 036 | 94520-12000 | CIRCLIP, INTERNAL, 12MM | 1 | |
| 039 | 95701-0601600 | BOLT, FLANGE, 6X16 | 2 | |
| 040 | 95701-0602200 | BOLT, FLANGE, 6X22 | 2 | |
| 042 | 95701-0804000 | BOLT, FLANGE, 8X40 | 6 | 1003237 |
| 043 | 95701-0805000 | BOLT, FLANGE, 8X50 | 1 | 1003237 |

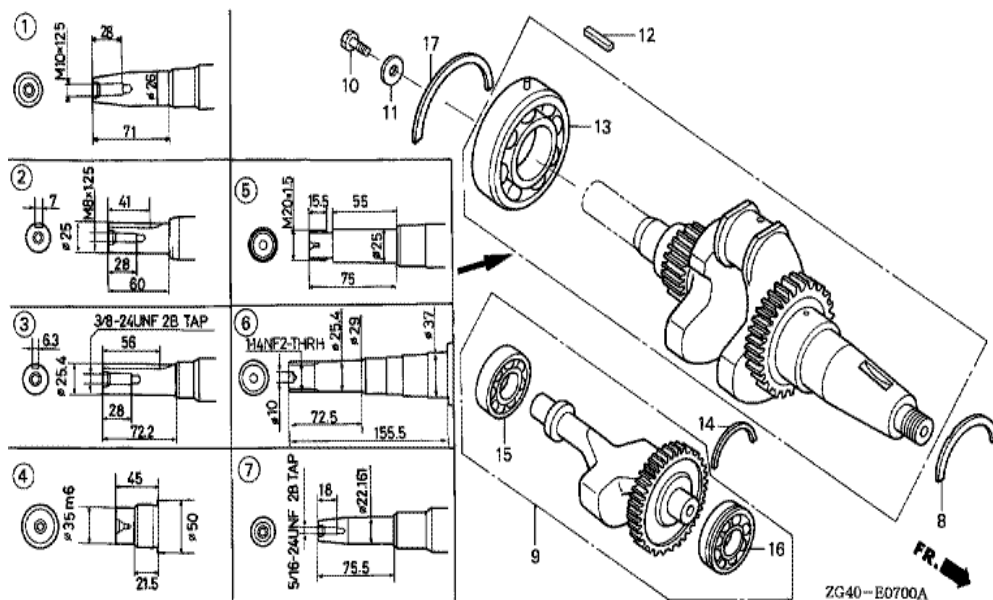
| | |
|------------|--------------|
| GD320(WAA) | E-5 OIL PUMP |
|------------|--------------|



ZG40-E0500A

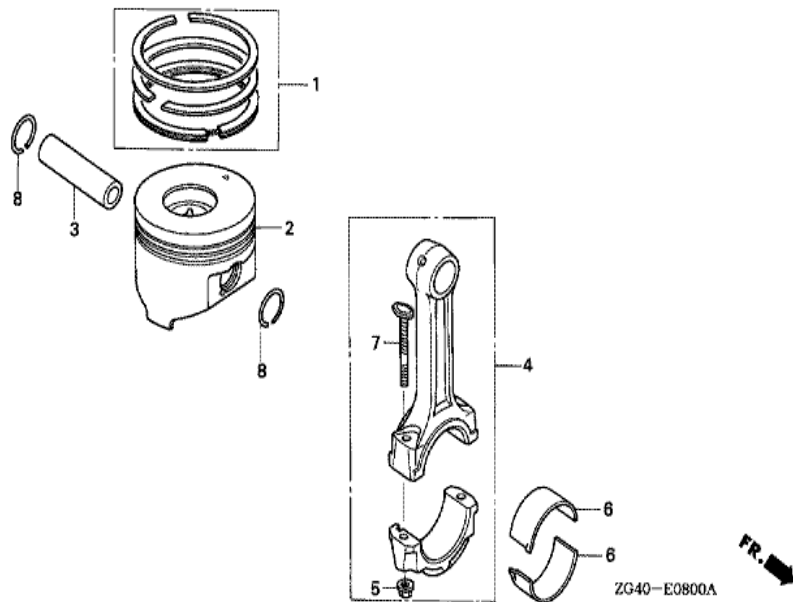
| <u>Ref</u> | <u>Partnumber</u> | <u>Description</u> | <u>GD320</u> | <u>Serial Numbers</u> |
|------------|-------------------|------------------------|--------------|-----------------------|
| 001 | 15121-ZG3-000 | COVER, OIL PUMP | 1 | |
| 002 | 15220-ZG3-000 | STRAINER COMP., OIL | 1 | 1007019 |
| 003 | 15221-ZG3-000 | STRAINER, OIL | 1 | 1007018 |
| 004 | 15223-ZG3-000 | SPRING, OIL STRAINER | 1 | 1007018 |
| 004 | 15223-ZG3-300 | SPRING, OIL STRAINER | 1 | 1007019 |
| 005 | 15224-ZG3-000 | COVER, OIL STRAINER | 1 | |
| 006 | 15331-ZG3-013 | ROTOR, OIL PUMP INNER | 1 | 1002506 |
| 007 | 15341-ZG3-003 | ROTOR, OIL PUMP OUTER | 1 | |
| 008 | 16510-ZG3-010 | WEIGHT COMP., GOVERNOR | 1 | |
| 009 | 90443-ZG3-000 | WASHER, 15.5MM | 1 | |
| 010 | 91301-ZG3-000 | O-RING, 42.2X2.4 | 2 | |
| 011 | 90011-ZG3-000 | SCREW, FLAT, 6X16 | 3 | 1001170 |
| 012 | 95701-0601600 | BOLT, FLANGE, 6X16 | 2 | |
| <u>Ref</u> | <u>Partnumber</u> | <u>Description</u> | <u>GD320</u> | <u>Serial Numbers</u> |
| 013 | 96220-30134 | ROLLER, 3X13.4 | 1 | |

| | |
|------------|----------------|
| GD320(WAA) | E-7 CRANKSHAFT |
|------------|----------------|



| Ref | Partnumber | Description | GD320 | Serial Numbers |
|-----|---------------|---|-------|----------------|
| 005 | 13310-ZG4-630 | CRANKSHAFT COMP. | 1 | |
| 008 | 13316-ZG4-000 | BEARING, CRANKSHAFT THRUST (A) (BLUE) | 1 | |
| 008 | 13317-ZG4-000 | BEARING, CRANKSHAFT THRUST (B) (BLACK) | 1 | |
| 008 | 13318-ZG4-000 | BEARING, CRANKSHAFT THRUST (C) (BROWN) | 1 | |
| 008 | 13319-ZG4-000 | BEARING, CRANKSHAFT THRUST (D) (GREEN) | 1 | |
| 008 | 13320-ZG4-000 | BEARING, CRANKSHAFT THRUST (E) (YELLOW) | 1 | |
| 008 | 13328-ZG4-000 | BEARING, CRANKSHAFT THRUST (F) (PINK) | 1 | 1000708 |
| 009 | 13350-ZG4-000 | WEIGHT COMP., BALANCER | 1 | |
| 013 | 91001-ZG4-003 | BEARING, SPECIAL, 6307 | 1 | |
| 014 | 91006-ZG3-000 | SET RING, 470 | 1 | |
| 015 | 91007-ZG4-003 | BEARING, SPECIAL BALL, 6204 (B) | 1 | |
| 016 | 91008-ZG4-003 | BEARING, SPECIAL BALL, 6204 (C) | 1 | |

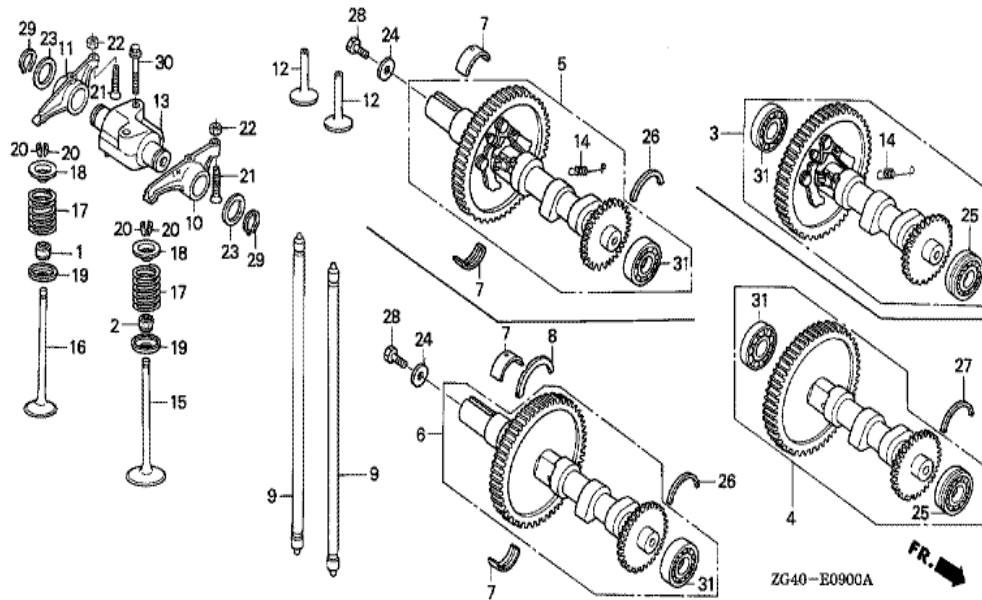
| | |
|------------|---------------------------|
| GD320(WAA) | E-8 PISTON/CONNECTING ROD |
|------------|---------------------------|



| <u>Ref</u> | <u>Partnumber</u> | <u>Description</u> | <u>GD320</u> | <u>Serial Numbers</u> |
|------------|-------------------|--|--------------|-----------------------|
| 001 | 13010-ZG4-000 | RING SET, PISTON (STD.) | 1 | 1000465 |
| 001 | 13011-ZG4-000 | RING SET, PISTON (0.25) | (1) | 1000465 |
| 001 | 13012-ZG4-000 | RING SET, PISTON (0.50) | (1) | 1000465 |
| 001 | 13013-ZG4-000 | RING SET, PISTON (0.75) | (1) | 1000465 |
| 002 | 13101-ZG4-010 | PISTON (STD.) | 1 | 1008391 |
| 002 | 13101-ZG4-930 | PISTON (STD.) | 1 | |
| 003 | 13111-ZG4-000 | PIN, PISTON | 1 | |
| 004 | 13200-ZG4-000 | ROD ASSY., CONNECTING | 1 | |
| 005 | 13205-689-004 | NUT, CONNECTING ROD (NAGOYA RASHI) | 2 | |
| 006 | 13211-ZG4-000 | BEARING A, CONNECTING ROD (BLUE) | (2) | |
| 006 | 13212-ZG4-000 | BEARING B, CONNECTING ROD (BLACK) | (2) | |
| 006 | 13213-ZG4-000 | BEARING C, CONNECTING ROD (BROWN) | (2) | |
| 006 | 13214-ZG4-000 | BEARING D, CONNECTING ROD (GREEN) | (2) | |
| <u>Ref</u> | <u>Partnumber</u> | <u>Description</u> | <u>GD320</u> | <u>Serial Numbers</u> |
| 006 | 13215-ZG4-000 | BEARING E, CONNECTING ROD (YELLOW) | (2) | |
| 006 | 13216-ZG4-000 | BEARING F, CONNECTING ROD (PINK) | (2) | |
| 006 | 13217-ZG4-000 | BEARING, CONNECTING ROD (G) (RED) | (2) | |
| 006 | 13232-ZG4-000 | BEARING A, CONNECTING ROD (UNDER SIZE 0. | (2) | |
| 006 | 13233-ZG4-000 | BEARING B, CONNECTING ROD (UNDER SIZE 0. | (2) | |
| 006 | 13234-ZG4-000 | BEARING C, CONNECTING ROD (UNDER SIZE 0. | (2) | |
| 006 | 13236-ZG4-000 | BEARING A, CONNECTING ROD (UNDER SIZE 0. | (2) | |
| 006 | 13237-ZG4-000 | BEARING B, CONNECTING ROD (UNDER SIZE 0. | (2) | |
| 006 | 13238-ZG4-000 | BEARING C, CONNECTING ROD (UNDER SIZE 0. | (2) | |
| 006 | 13242-ZG4-000 | BEARING A, CONNECTING ROD (UNDER SIZE 0. | (2) | |
| 006 | 13243-ZG4-000 | BEARING B, CONNECTING ROD (UNDER SIZE 0. | (2) | |
| 006 | 13244-ZG4-000 | BEARING C, CONNECTING ROD (UNDER SIZE 0. | (2) | |
| 007 | 13213-463-003 | BOLT, CONNECTING ROD (NAGOYA RASHI) | 2 | |
| 008 | 90601-KA5-000 | CLIP, PISTON PIN, 1.2X20 | 2 | |

GD320(WAA)

E-9 CAMSHAFT



| Ref | Partnumber | Description | GD320 | Serial Numbers |
|-----|---------------|---------------------------------------|-------|----------------|
| 002 | 12210-PD2-003 | SEAL A, VALVE STEM (ARAI) | 1 | 1003849 |
| 003 | 14100-ZG3-930 | CAMSHAFT ASSY. (USA) | 1 | 1005010 |
| 009 | 14410-ZG4-000 | ROD, PUSH | 2 | |
| 010 | 14421-ZG3-000 | ARM, IN. VALVE ROCKER | 1 | |
| 011 | 14431-ZG3-000 | ARM, EX. VALVE ROCKER | 1 | |
| 012 | 14441-ZE2-000 | LIFTER, VALVE | 2 | 1001170 |
| 013 | 14461-ZG3-000 | SHAFT COMP., ROCKER ARM | 1 | |
| 014 | 14568-ZG3-000 | SPRING, WEIGHT RETURN | (1) | |
| 015 | 14711-ZG4-000 | VALVE, IN. | 1 | |
| 016 | 14721-ZG4-000 | VALVE, EX. | 1 | |
| 017 | 14751-ZG3-003 | SPRING, VALVE | 2 | |
| 018 | 14765-PG6-000 | RETAINER, VALVE SPRING | 2 | 1001344 |
| 019 | 14775-ZG3-000 | SEAT, VALVE SPRING | 2 | |
| Ref | Partnumber | Description | GD320 | Serial Numbers |
| 020 | 14781-MB9-000 | COTTER, VALVE | 4 | |
| 021 | 90012-ZG3-000 | SCREW, TAPPET ADJUSTING | 2 | |
| 022 | 90206-001-000 | NUT, TAPPET ADJUSTING | 2 | |
| 023 | 90448-KE1-000 | WASHER, THRUST, 16MM | 2 | |
| 025 | 91002-ZG3-003 | BEARING, SPECIAL BALL, 6204 (A) (NTN) | (1) | |
| 027 | 91006-ZG3-000 | SET RING, 470 | 1 | |
| 029 | 94510-16000 | CIRCLIP, EXTERNAL, 16MM | 2 | |
| 030 | 95701-0603500 | BOLT, FLANGE, 6X35 | 2 | |
| 031 | 96100-6204300 | BEARING, RADIAL BALL, 6204 | (1) | |