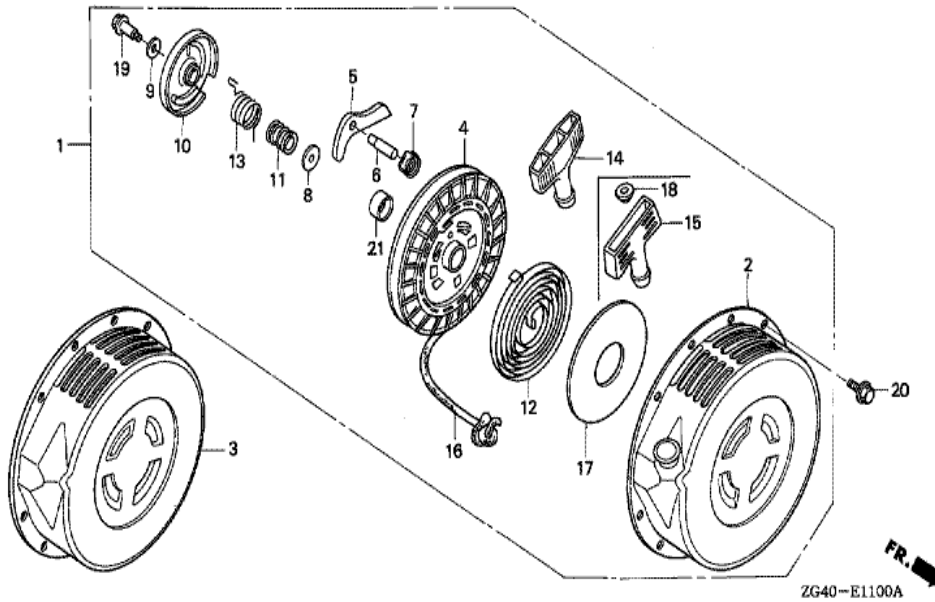
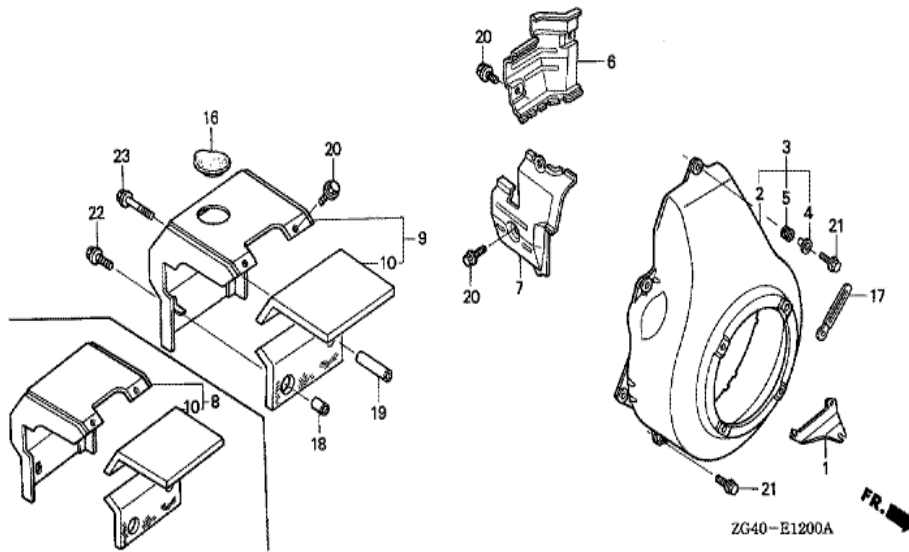


Ref	Partnumber	Description	GD320	Serial Numbers
001	12310-ZG3-801	COVER COMP., CYLINDER HEAD (SEL)	1	
005	12380-ZG3-000	PLATE COMP., BREATHER	1	
006	12391-ZG3-000	O-RING, HEAD COVER	1	
012	51866-SA5-801	O-RING	1	
013	90009-ZG3-000	SCREW, PAN, 6X8	4	1006090
013	93500-060080A	SCREW, PAN, 6X8	4	1006091
014	94301-06100	DOWEL PIN, 6X10	1	
018	95701-0603200	BOLT, FLANGE, 6X32	3	10011701 of 22

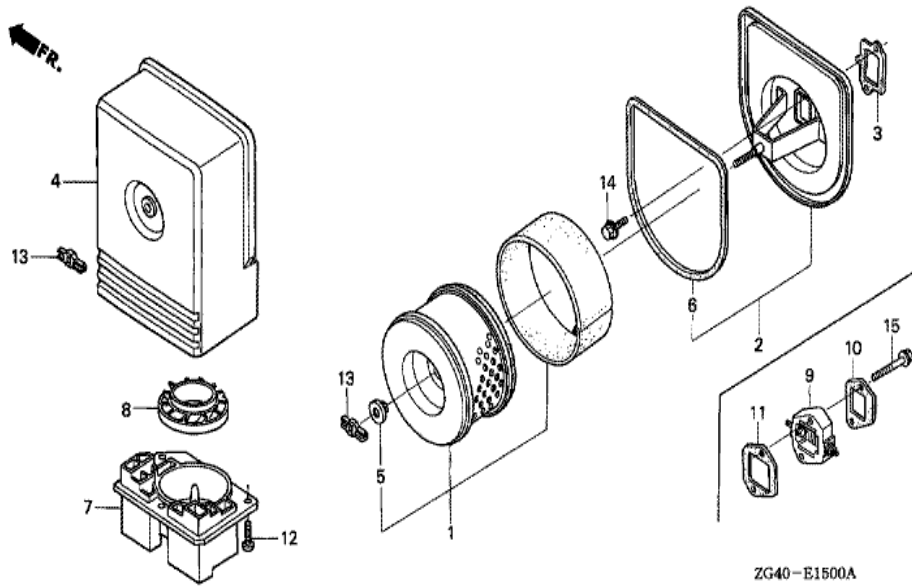


Ref	Partnumber	Description	GD320	Serial Numbers
001	28400-ZG3-003ZA	STARTER ASSY., RECOIL *NH116M *	1	1000113
001	28400-ZG3-004ZA	STARTER ASSY., RECOIL *NH116M *	1	1000114
002	28410-ZG3-003ZA	CASE COMP., STARTER *NH116M *	1	1000113
002	28410-ZG3-004ZA	CASE COMP., STARTER *NH116M *	1	1000114
004	28420-ZE8-811	REEL COMP., STARTER	1	1000113
004	28420-ZE8-812	REEL COMP., STARTER	1	1000114
005	28422-ZG3-003	RATCHET, STARTER	1	1000113
005	28422-ZG3-004	RATCHET, STARTER	1	1000114
006	28423-ZG3-003	SHAFT, RATCHET	1	1000113
006	28423-ZG3-004	SHAFT, RATCHET	1	1000114
007	28424-ZE1-711	PLATE, GUIDE	1	1000113
007	28424-ZE1-712	PLATE, GUIDE	1	1000114
008	28431-ZG3-003	PLATE A, FRICTION	1	1000113

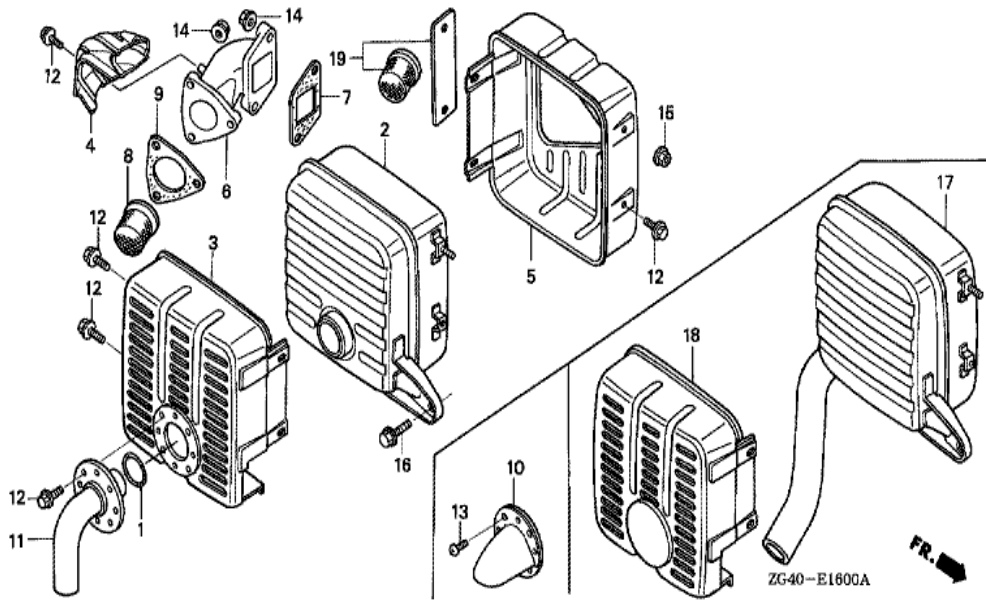
<u>Ref</u>	<u>Partnumber</u>	<u>Description</u>	<u>GD320</u>	<u>Serial Numbers</u>
008	28431-ZG3-004	PLATE A, FRICTION	1	1000114
009	28432-ZG0-003	PLATE B, FRICTION	1	1000113
009	28432-ZG0-004	PLATE B, FRICTION	1	1000114
010	28434-ZE8-811	COVER, STARTER REEL	1	1000113
010	28434-ZE8-812	COVER, STARTER REEL	1	1000114
011	28441-ZG3-003	SPRING, FRICTION	1	1000113
011	28441-ZG3-004	SPRING, FRICTION (D=13.0MM / L=16.3MM)	1	1000114
012	28442-ZE1-711	SPRING, RETURN	1	1000113
012	28442-ZE1-713	SPRING, RETURN	1	1000114
013	28449-ZG3-003	SPRING, TORSION	1	1000113
013	28449-ZG3-004	SPRING, TORSION	1	1000114
014	28461-ZE8-811	GRIP, STARTER	1	1000113
015	28461-ZG3-004	GRIP, STARTER	1	1000114
016	28462-ZG3-003	ROPE, STARTER	1	1000113
016	28462-ZG3-004	ROPE, STARTER	1	1000114
018	28469-ZE2-W01	REINFORCEMENT, GRIP	1	1000114
019	90003-ZG0-003	BOLT, REEL COVER	1	1000113
019	90003-ZG3-004	BOLT, 6MM	1	1000114
020	90011-ZG0-000	BOLT, FLANGE, 6X8	4	
021	91501-ZG3-003	COLLAR	1	1000113
021	91501-ZG3-004	COLLAR	1	1000114



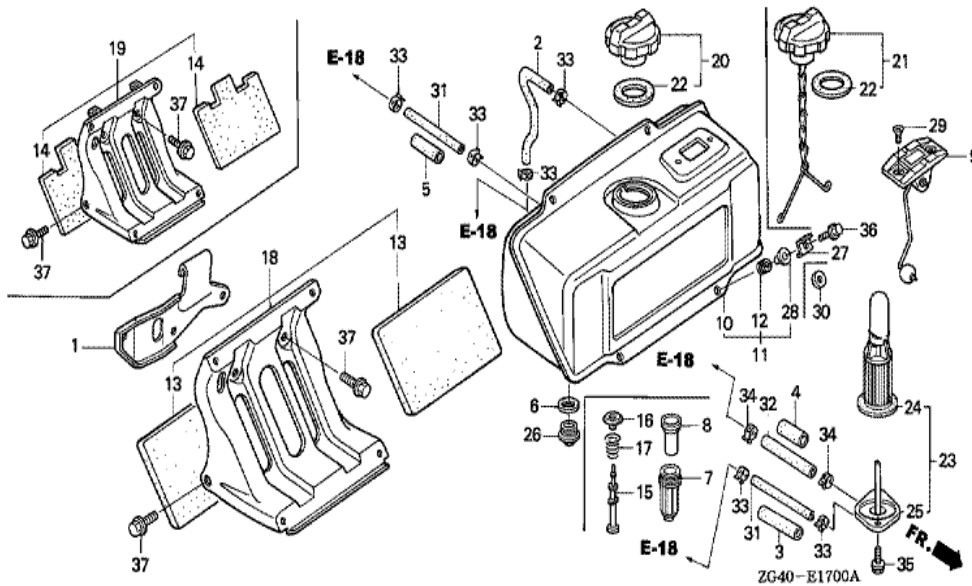
Ref	Partnumber	Description	GD320	Serial Numbers
002	19610-ZG4-000ZA	COVER COMP., FAN *NH116M *	1	
006	19631-ZG4-000	SHROUD (A)	1	
007	19632-ZG4-000	SHROUD (B)	1	
020	95701-0601200	BOLT, FLANGE, 6X12	4	
021	95701-0601200	BOLT, FLANGE, 6X12	7	



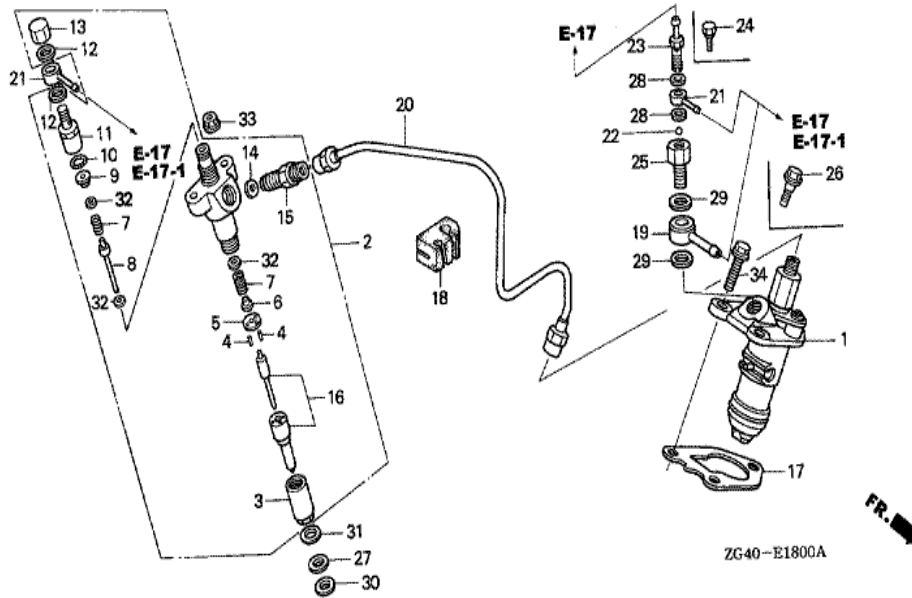
Ref	Partnumber	Description	GD320	Serial Numbers
001	17210-ZG3-801	ELEMENT COMP., AIR CLEANER (WET)	(1)	
002	17220-ZG3-003	CASE COMP., AIR CLEANER	(1)	
003	17228-ZG3-000	PACKING, AIR CLEANER	1	1008874
003	17228-ZG3-800	PACKING, AIR CLEANER (NON ASBESTOS)	1	
004	17230-ZG3-000	COVER COMP., AIR CLEANER	(1)	
005	17232-ZG3-003	GROMMET, AIR CLEANER	(1)	
006	17406-ZG3-000	PACKING, AIR CLEANER CASE	(1)	
007	17471-ZG3-000	CASE, PRE CLEANER	(1)	
008	17476-ZG3-003	GUIDE, PRE AIR CLEANER	(1)	
012	90142-MB0-000	SCREW, PAN, 5X16.5	(3)	
013	90203-PB2-000	NUT, AIR CLEANER COVER (DACRO COATING)	(2)	
014	95701-0802200	BOLT, FLANGE, 8X22	2	



<u>Ref</u>	<u>Partnumber</u>	<u>Description</u>	<u>GD320</u>	<u>Serial Numbers</u>
002	18310-ZG3-003	MUFFLER COMP.	(1)	
003	18321-ZG3-003	PROTECTOR A, MUFFLER	(1)	
005	18325-ZG3-003	PROTECTOR B, MUFFLER	(1)	
006	18331-ZG3-000	PIPE, EX.	1	
007	18333-ZG3-000	GASKET, EX. PIPE	1	1008212
007	18333-ZG3-800	GASKET, EX. PIPE (NON ASBESTOS)	1	1008213
009	18381-ZG3-000	GASKET, MUFFLER	1	1008212
009	18381-ZG3-800	GASKET, MUFFLER (NON ASBESTOS)	1	1008213
010	18431-ZG3-800	DEFLECTOR, MUFFLER	(1)	
012	90002-ZG3-000	BOLT, FLANGE, 5X8	3	
013	93500-0500800	SCREW, PAN, 5X8	(4)	
014	94050-08000	NUT, FLANGE, 8MM	(5)	
015	94050-08020	NUT, FLANGE, 8MM	1	
<u>Ref</u>	<u>Partnumber</u>	<u>Description</u>	<u>GD320</u>	<u>Serial Numbers</u>
016	95701-0802000	BOLT, FLANGE, 8X20	1	
019	06180-ZG3-930	ARRESTER KIT, SPARK	(1)	



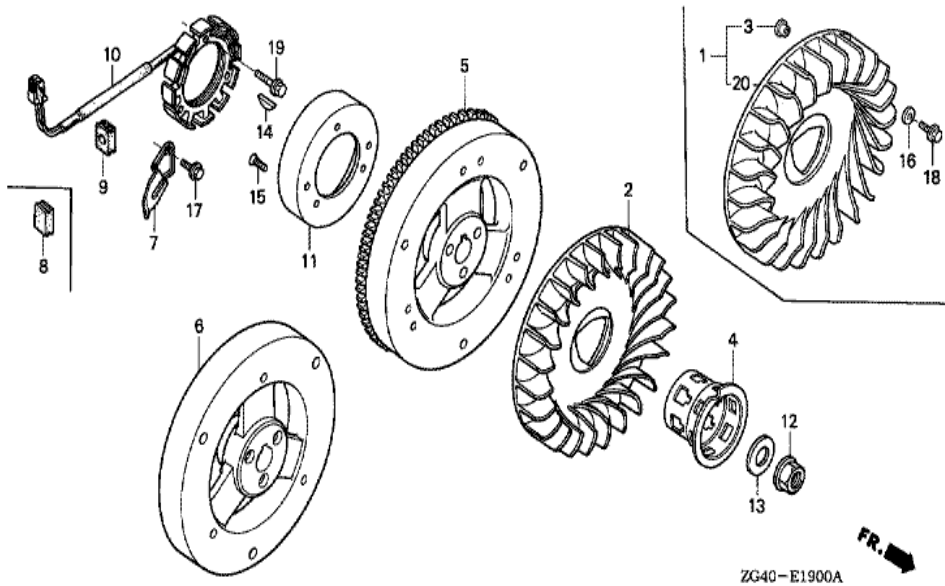
<u>Ref</u>	<u>Partnumber</u>	<u>Description</u>	<u>GD320</u>	<u>Serial Numbers</u>
001	11911-ZG3-000	HANGER, ENGINE	1	
002	16346-ZG4-000	TUBE, FUEL	(1)	
003	16854-ZG3-000	RUBBER, SUPPORTER (9X48)	(1)	
004	16857-ZG3-000	RUBBER, SUPPORTER (B)	(1)	
005	16858-ZG3-000	RUBBER, SUPPORTER (9X30)	(1)	
006	16963-443-901	GASKET	(1)	
009	17505-ZG3-801	GAUGE ASSY., FUEL	(1)	
010	17510-ZG3-800ZA	TANK COMP., FUEL (GAUGE) *R8 *	1	
013	17535-ZG3-000	SEAT, TANK STAY	(2)	
018	17560-ZG3-000	STAY COMP., FUEL TANK	(1)	
020	17620-ZG3-003	CAP COMP., FUEL FILLER	(1)	
022	17631-329-003	PACKING, FUEL FILLER CAP (39X58X3)	(1)	
023	17670-ZG3-013	FILTER ASSY., FUEL	1	1003264
<u>Ref</u>	<u>Partnumber</u>	<u>Description</u>	<u>GD320</u>	<u>Serial Numbers</u>
024	17682-ZG3-003	STRAINER COMP.	(1)	
025	17687-ZG3-013	BODY, STRAINER	1	1003264
026	90021-ZG3-003	BOLT, DRAIN	(1)	
027	90407-ZG3-010	WASHER, SPECIAL, 6MM	4	1003237
029	93600-050100A	SCREW, FLAT, 5X10	(2)	
031	95001-4510040	TUBE, FUEL, 4.5X100 (95001-450 (95001-45	(2)	
032	95001-8009040	TUBE, FUEL, 8X90 (95001-80001-60M)	(1)	
033	95002-4080008	CLAMP, TUBE (D8)	6	1000079
034	95002-4125008	CLAMP, TUBE (D12.5)	2	1000079
035	95701-0601200	BOLT, FLANGE, 6X12	(2)	
036	95701-0601400	BOLT, FLANGE, 6X14	(4)	
037	95701-0802200	BOLT, FLANGE, 8X22	(4)	



Ref	Partnumber	Description	GD320	Serial Numbers
001	16300-ZG3-931	PUMP ASSY., FUEL INJECTION	1	1005010
002	16410-ZG3-013	NOZZLE & HOLDER ASSY.	1	
003	16413-ZG3-003	NUT, RETAINING	1	
004	16414-ZG3-003	PIN (1.78X9.3)	2	
005	16415-ZG3-003	SPACER	1	
006	16416-ZG3-003	SEAT, SPRING (A)	1	
007	16417-ZG3-003	SPRING, NOZZLE	2	
008	16418-ZG3-003	ROD, PUSH	1	
009	16419-ZG3-003	SEAT, SPRING (B)	1	
010	16421-ZG3-003	O-RING	1	
011	16422-ZG3-003	NUT, CAP	1	
012	16423-ZG3-003	GASKET A	2	
013	16424-ZG3-003	NUT	1	

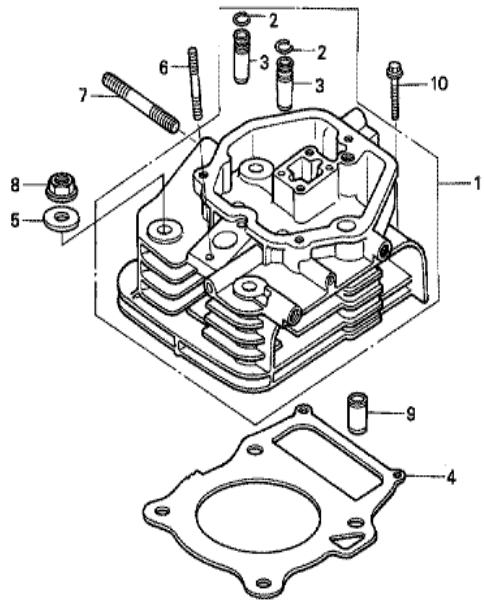


<u>Ref</u>	<u>Partnumber</u>	<u>Description</u>	<u>GD320</u>	<u>Serial Numbers</u>
014	16425-ZG3-003	GASKET B	1	
015	16426-ZG3-003	CONNECTOR, IN.	1	
016	16431-ZG3-003	NOZZLE	1	
017	16441-ZG3-000	GASKET, FUEL INJECTION PUMP (C) (0.2)	(1)	
017	16442-ZG3-000	GASKET, FUEL INJECTION PUMP (D) (0.3)	(1)	
017	16443-ZG3-000	GASKET, FUEL INJECTION PUMP (E) (0.4)	(1)	
017	16444-ZG3-000	GASKET, FUEL INJECTION PUMP (A) (0.1)	(1)	
017	16445-ZG3-000	GASKET, FUEL INJECTION PUMP (B) (0.15)	(1)	
017	16451-ZG3-000	GASKET, FUEL INJECTION PUMP (F) (0.5)	(1)	
017	16452-ZG3-000	GASKET, FUEL INJECTION PUMP (G) (0.6)	(1)	
018	16447-ZG3-000	RUBBER, FUEL TUBE CLAMP	1	
019	16449-ZG3-000	JOINT, FUEL	1	
020	16455-ZG4-000	PIPE A, FUEL	1	
021	16647-ZG3-000	JOINT, AIR BREATHER (B)	2	
022	16648-ZG3-000	BALL, CHECK	1	1001107
023	90025-ZG3-000	BOLT, AIR BREATHER, 8X20	1	
025	90027-ZG3-000	BOLT, FUEL JOINT, 12X25.5	1	
026	90161-744-000	BOLT, ROTARY TRANSMISSION	2	1007019
027	90402-ZG3-880	WASHER, PLAIN, 7MM	1	1006485
028	90403-ZG3-000	WASHER, 8MM	2	
029	90418-ZG3-000	WASHER, FUEL JOINT	2	
030	90455-ZG3-880	GASKET, SPECIAL, 7MM	1	1006485
031	90451-ZG3-000	GASKET A, NOZZLE (0.8)	1	1006485
031	90452-ZG3-000	GASKET B, NOZZLE (1.0)	1	1006485
031	90453-ZG3-000	GASKET C, NOZZLE (1.2)	1	
031	90454-ZG3-000	GASKET D, NOZZLE (1.4)	1	1006485
032	90460-ZG3-003	SHIM A (0.50)	(N)	
032	90461-ZG3-003	SHIM B (0.51)	(N)	
032	90462-ZG3-003	SHIM C (0.52)	(N)	
032	90463-ZG3-003	SHIM D (0.53)	(N)	
032	90464-ZG3-003	SHIM E (0.54)	(N)	
032	90465-ZG3-003	SHIM F (0.55)	(N)	
032	90466-ZG3-003	SHIM G (0.56)	(N)	
<u>Ref</u>	<u>Partnumber</u>	<u>Description</u>	<u>GD320</u>	<u>Serial Numbers</u>
032	90467-ZG3-003	SHIM H (0.57)	(N)	
032	90468-ZG3-003	SHIM I (0.58)	(N)	
032	90469-ZG3-003	SHIM J (0.59)	(N)	
032	90470-ZG3-003	SHIM K (0.60)	(N)	
032	90471-ZG3-003	SHIM L (0.70)	(N)	
032	90472-ZG3-003	SHIM M (0.80)	(N)	
032	90473-ZG3-003	SHIM N (0.90)	(N)	
033	94050-06000	NUT, FLANGE, 6MM	2	
034	95701-0802500	BOLT, FLANGE, 8X25	3	1007018
034	95701-0802500	BOLT, FLANGE, 8X25	1	1007019



ZG40-E1900A

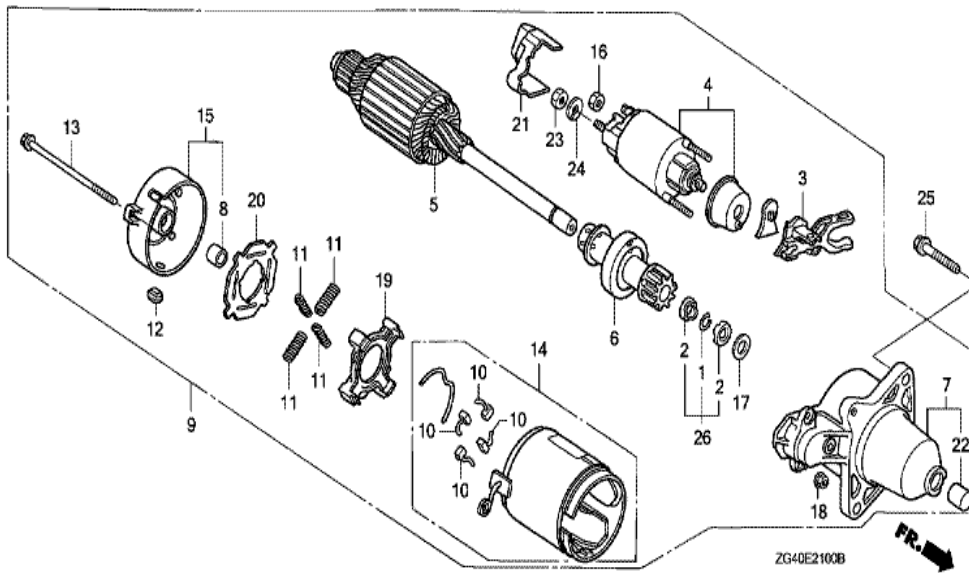
Ref	Partnumber	Description	GD320	Serial Numbers
002	19511-ZG4-000	FAN, COOLING	1	
004	28451-ZG4-000	PULLEY, STARTER	1	1000218
005	31100-ZG4-890	FLYWHEEL COMP. (SELF STARTER)	1	
007	31511-ZG3-800	CLAMPER, CORD	(1)	
009	31512-ZG3-000	GROMMET, CORD	(1)	
010	31601-ZG3-801	STATOR COMP. (1.7A)	(1)	
011	31610-ZG3-801	ROTOR COMP. (4MAGNET)	(1)	
012	90201-ZG3-000	NUT, FLANGE, 20MM	1	
013	90401-ZG3-000	WASHER, 20MM	1	
014	90741-ZG3-000	KEY, WOODRUFF, 50X7	1	
015	93600-060120A	SCREW, FLAT, 6X12	(3)	
017	95701-0601200	BOLT, FLANGE, 6X12	(1)	
019	90015-ZG3-000	BOLT, FLANGE, 6X22	3	



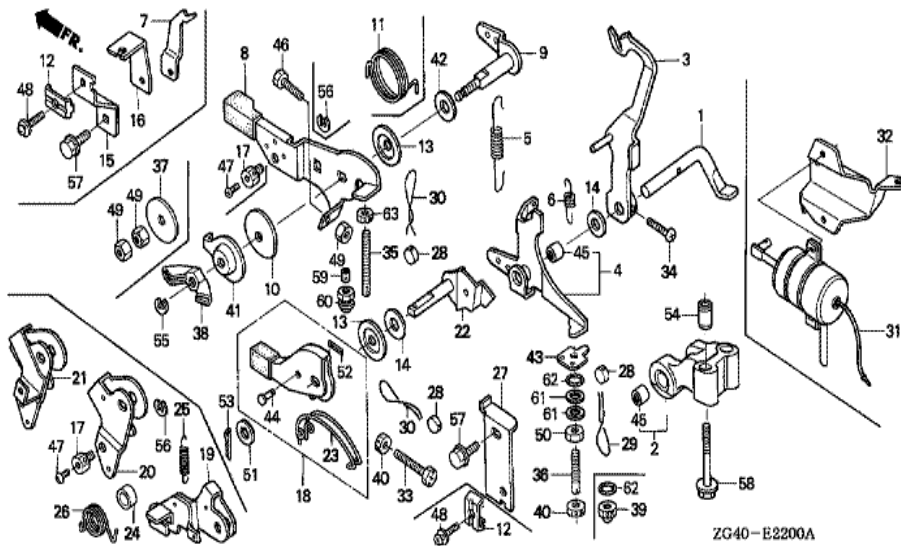
ZG40-E0200A



Ref	Partnumber	Description	GD320	Serial Numbers
001	12200-ZG4-010	HEAD COMP., CYLINDER	1	1001170
002	12216-ZE2-300	CLIP, VALVE GUIDE	2	
003	12218-ZG3-003	GUIDE, VALVE (O.S.)	(2)	
004	12251-ZG4-003	GASKET, CYLINDER HEAD (A) (1.1)	1	
004	12252-ZG4-003	GASKET, CYLINDER HEAD (B) (1.2)	1	
004	12253-ZG4-003	GASKET, CYLINDER HEAD (C) (1.3)	1	
005	90404-ZG3-000	WASHER, 10MM	4	
006	92900-060323B	BOLT, STUD, 6X32	2	
007	92900-080280B	BOLT, STUD, 8X28	2	
008	94050-10000	NUT, FLANGE, 10MM	4	
009	94301-12200	DOWEL PIN, 12X20	2	
010	95701-0602800	BOLT, FLANGE, 6X28	2	



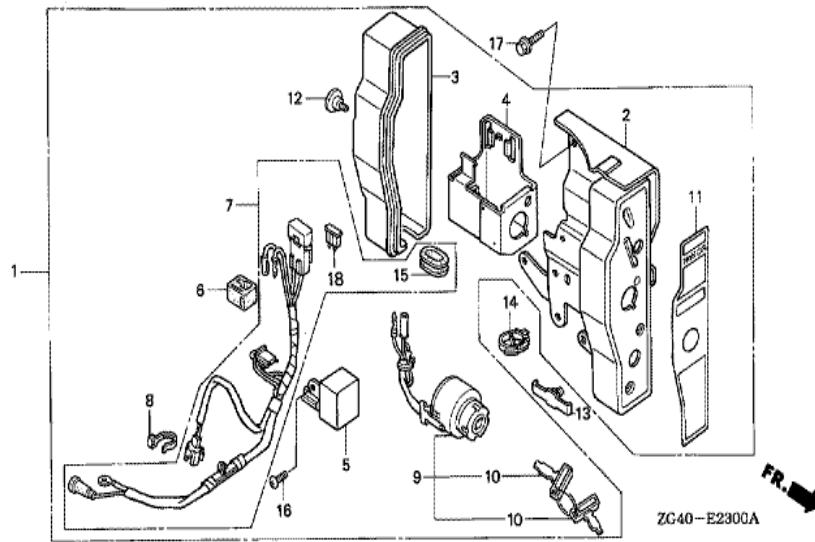
<u>Ref</u>	<u>Partnumber</u>	<u>Description</u>	<u>GD320</u>	<u>Serial Numbers</u>
001	30201-PH9-004	RING, SNAP (DENSO)	(1)	
002	30202-PH9-004	COLLAR, CLUTCH STOP	2	1000721
003	31203-PN4-003	LEVER, PINION DRIVE	(1)	
004	31204-ZG4-801	SWITCH ASSY., MAGNET	(1)	
005	31206-ZG4-801	ARMATURE COMP.	(1)	
006	31207-ZG4-801	CLUTCH COMP., OVERRUNNING	(1)	
007	31208-ZG4-801	HOUSING COMP., DRIVE SIDE	(1)	
008	31210-PH9-004	BEARING B	(1)	
009	31210-ZG4-802	MOTOR ASSY., STARTER	1	
010	31211-PH9-004	BRUSH	(4)	
011	31212-PH9-004	SPRING, BRUSH	(4)	
012	31213-679-004	COVER	(1)	
013	31214-PH9-004	BOLT, THROUGH	(2)	
<u>Ref</u>	<u>Partnumber</u>	<u>Description</u>	<u>GD320</u>	<u>Serial Numbers</u>
014	31218-ZG4-801	YOKE COMP.	(1)	
015	31219-ZG4-801	FRAME COMP., COMMUTATOR END	(1)	
016	31220-PH9-004	NUT, HEX., 8MM	(1)	
017	31221-PH9-004	WASHER	1	
018	31223-PA0-006	NUT, HEX.	(2)	
019	31231-PH9-004	HOLDER, BRUSH	(1)	
020	31233-PH9-004	INSULATOR, BRUSH HOLDER	(1)	
021	31235-ZG4-801	COVER, TERMINAL	(1)	
022	91002-ZG4-801	BEARING A	(1)	
023	94001-082000S	NUT, HEX., 8MM	(1)	
024	94111-08000	WASHER, SPRING, 8MM	(1)	
025	95701-0802800	BOLT, FLANGE, 8X28	(2)	



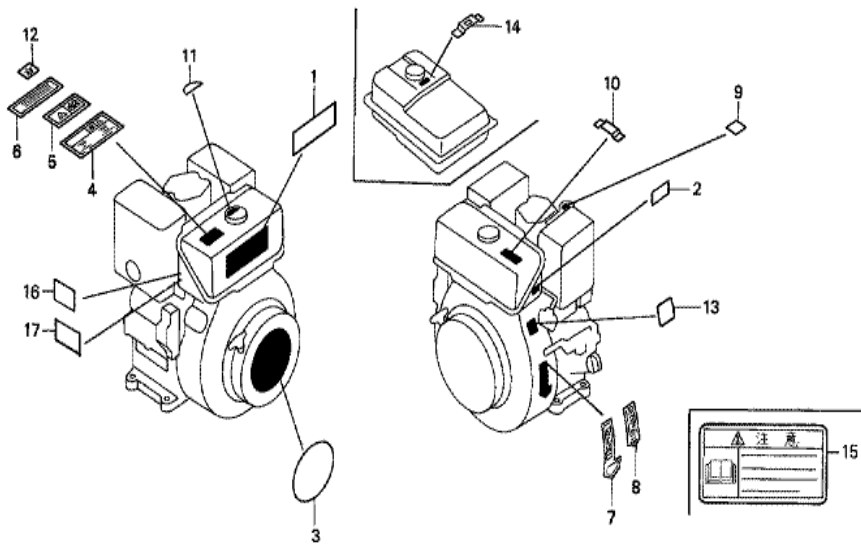
ZG40-E2200A

Ref	Partnumber	Description	GD320	Serial Numbers
001	16541-ZG3-000	SHAFT, GOVERNOR ARM	1	
002	16544-ZG3-000	STAY, GOVERNOR SHAFT	1	
003	16550-ZG3-000	ARM COMP., GOVERNOR	1	
004	16558-ZG3-010	ARM COMP., SUB GOVERNOR	1	1001170
005	16561-ZG3-000	SPRING, GOVERNOR	1	
006	16563-ZG3-000	SPRING, IDLE	1	1008489
006	16563-ZG3-010	SPRING, IDLE	1	1008490
008	16571-ZG3-010	LEVER, CONTROL	1	
009	16572-ZG3-000	SHAFT, CONTROL LEVER	1	
010	16574-ZG3-000	SPRING, LEVER	(1)	
013	16577-ZG3-000	SPACER, CONTROL LEVER (A)	1	
014	16578-ZG3-000	SPACER, CONTROL LEVER (B)	1	
018	16630-ZG3-000	LEVER COMP., STOP	(1)	

<u>Ref</u>	<u>Partnumber</u>	<u>Description</u>	<u>GD320</u>	<u>Serial Numbers</u>
022	16632-ZG3-000	SHAFT, STOP LEVER	(1)	
023	16633-ZG3-300	SPRING, STOP LEVER	(1)	
027	16645-ZG3-000	HOLDER COMP., STOP CABLE	1	1000473
028	16727-705-000	END, LOCK	1	
029	16728-ZG3-000	WIRE, LOCK (A)	1	
030	16729-ZG3-000	WIRE, LOCK (B)	2	
033	90007-ZG3-000	BOLT, RECESSED, 6X32	(1)	
034	90010-ZG3-000	SCREW, PAN, 3X18	1	
035	90045-ZG3-000	BOLT, CONTROL ADJUSTING	(1)	
036	90102-ZG3-000	BOLT, ADJUSTING	1	
038	90203-679-000	NUT, PLUG COVER	(1)	
040	90206-ZG3-000	NUT, HEX., 6MM	1	
041	90405-ZG3-000	WASHER, 6X30	(1)	
042	16578-ZG3-000	SPACER, CONTROL LEVER (B)	1	
043	90426-ZG3-000	WASHER, SEALING	1	
044	90751-ZG3-300	PIN, CENTER, 4X16.5	(1)	
045	91024-KG4-004	BEARING, NEEDLE, 8X12X10 (TOYO)	2	
046	92301-060200A	BOLT, RECESSED, 6X20	(1)	
049	94001-060000S	NUT, HEX., 6MM	(3)	
050	94001-062800S	NUT, HEX., 6MM	1	
051	94102-08000	WASHER, PLAIN, 8MM	(1)	
052	94201-16080	PIN, SPLIT, 1.6	(1)	
053	94201-25150	PIN, SPLIT, 2.5X15	(1)	
054	94301-08140	DOWEL PIN, 8X14	2	
055	94540-03010	E-RING, 3MM	(1)	
057	95701-0601600	BOLT, FLANGE, 6X16	(2)	
058	95701-0604009	BOLT, FLANGE, 6X40	2	
063	90206-ZG3-000	NUT, HEX., 6MM	(1)	



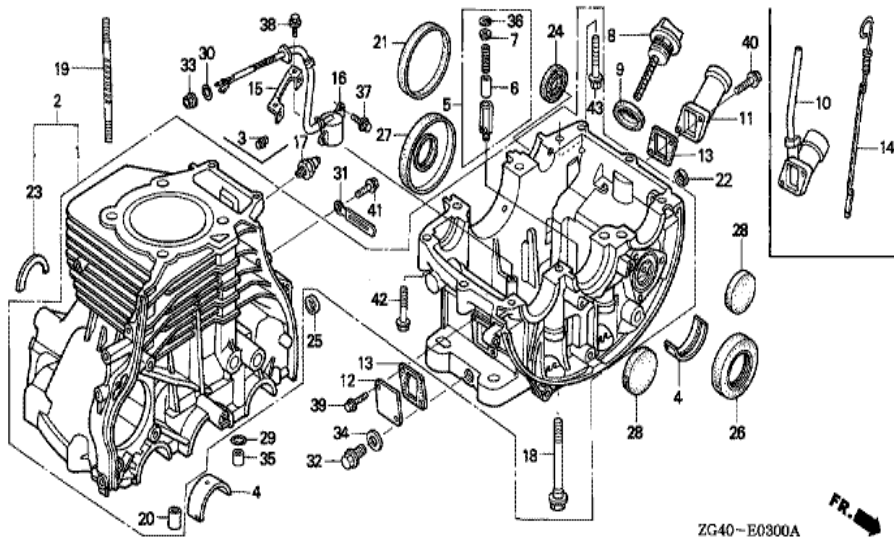
<u>Ref</u>	<u>Partnumber</u>	<u>Description</u>	<u>GD320</u>	<u>Serial Numbers</u>
001	31400-ZG4-812ZA	BOX ASSY., CONTROL (EXTERNAL) *NH116M* (	1	1005108
002	31420-ZG3-801ZB	PANEL COMP., CONTROL *NH116M *	(1)	
003	31612-ZE2-003	CASE, CONTROL	(1)	
004	31614-ZE2-003	BRACKET, CASE MOUNTING	(1)	
005	31700-ZG3-801	RECTIFIER COMP., SILICON	(1)	
006	32127-738-700	SUSPENSION, COUPLER	(1)	
007	32150-ZG4-800	HARNESS ASSY., CONTROL WIRE	(1)	
008	32902-892-003	BAND	(1)	
009	35100-ZG3-802	SWITCH ASSY., COMBINATION	1	
010	35111-880-003	KEY COMP.	2	1001479
011	87529-ZG3-810	MARK, CONTROL BOX (EXTERNAL)	1	
012	90380-MA6-010	SCREW, SPECIAL, 6X12	(1)	
014	90684-ZA0-601	CLIP, HARNESS	(1)	
<u>Ref</u>	<u>Partnumber</u>	<u>Description</u>	<u>GD320</u>	<u>Serial Numbers</u>
015	91601-ZG3-801	GROMMET, WIRE HARNESS	(1)	
016	93500-060120H	SCREW, PAN, 6X12	(1)	
017	95701-0601600	BOLT, FLANGE, 6X16	(2)	
018	98200-31500	FUSE, BLADE (15A)	(1)	



ZG40-E2800

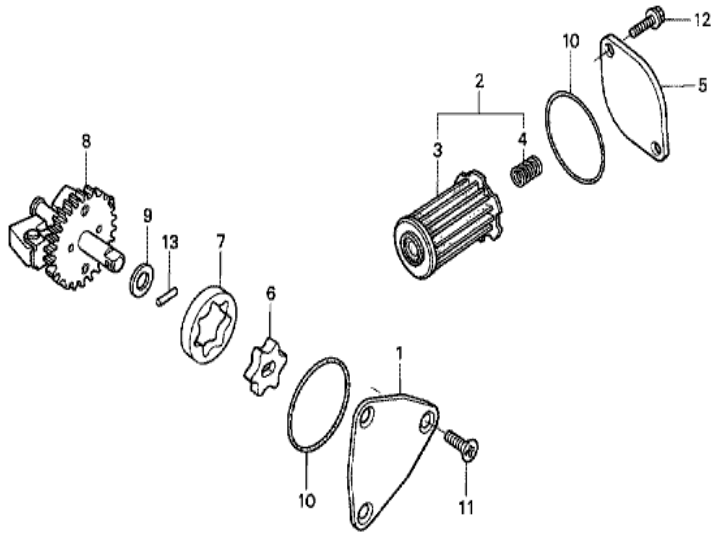
Ref	Partnumber	Description	GD320	Serial Numbers
001	87101-ZG4-000	EMBLEM (GD320)	(1)	
003	87521-ZG3-000	PLATE, EMBLEM	1	1001475
004	87522-ZG4-800	LABEL, CAUTION	(1)	
007	87532-ZG3-800	MARK, THROTTLE (ENGLISH)	(1)	
010	87565-ZG3-810	MARK, FUEL (EXTERNAL)	(1)	
011	87592-ZG3-800	MARK, USE FUEL (ENGLISH)	1	
013	87594-ZG3-800	MARK, OIL CAUTION (ENGLISH)	(1)	





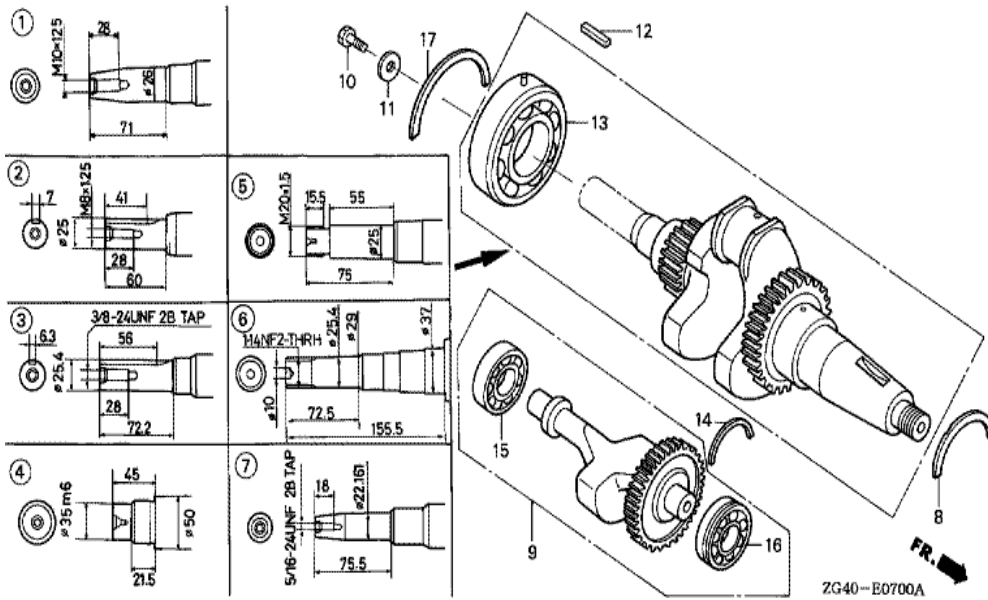
Ref	Partnumber	Description	GD320	Serial Numbers
001	12000-ZG4-820	BARREL ASSY., CYLINDER (SEL)	(1)	
004	13321-ZG4-003	BEARING A, MAIN (BLUE)	2	
004	13322-ZG4-003	BEARING B, MAIN (BLACK)	2	
004	13323-ZG4-003	BEARING C, MAIN (BROWN)	2	
004	13324-ZG4-003	BEARING D, MAIN (GREEN)	2	
004	13325-ZG4-003	BEARING E, MAIN (YELLOW)	2	
004	13326-ZG4-003	BEARING F, MAIN (PINK)	2	
004	13327-ZG4-003	BEARING G, MAIN (RED)	2	
004	13332-ZG4-000	BEARING A, MAIN (UNDER SIZE 0.25) (BLACK	(2)	
004	13333-ZG4-000	BEARING B, MAIN (UNDER SIZE 0.25) (BROWN	(2)	
004	13334-ZG4-000	BEARING C, MAIN (UNDER SIZE 0.25) (GREEN	(2)	
004	13336-ZG4-000	BEARING A, MAIN (UNDER SIZE 0.50) (BLACK	(2)	
004	13337-ZG4-000	BEARING B, MAIN (UNDER SIZE 0.50) (BROWN	(2)	

<u>Ref</u>	<u>Partnumber</u>	<u>Description</u>	<u>GD320</u>	<u>Serial Numbers</u>
004	13338-ZG4-000	BEARING C, MAIN (UNDER SIZE 0.50) (GREEN	(2)	
004	13342-ZG4-000	BEARING A, MAIN (UNDER SIZE 0.75) (BLACK	(2)	
004	13343-ZG4-000	BEARING B, MAIN (UNDER SIZE 0.75) (BROWN	(2)	
004	13344-ZG4-000	BEARING C, MAIN (UNDER SIZE 0.75) (GREEN	(2)	
005	15220-413-020	VALVE ASSY., RELIEF	1	
006	15231-413-020	VALVE, RELIEF	1	
007	15233-413-000	SEAT, RELIEF VALVE	1	
008	15620-ZG3-000	CAP, OIL FILLER	1	
009	15625-ZE8-000	PACKING, OIL FILLER CAP	1	1003942
011	15631-ZG3-000	EXTENSION, OIL FILLER	1	
012	15634-ZG3-000	PLATE, EXTENSION	1	
013	15635-ZG3-000	PACKING, EXTENSION OIL FILLER	2	1008874
013	15635-ZG3-800	PACKING, EXTENSION OIL FILLER (NON ASBES	2	1008875
018	90005-ZG3-003	BOLT-WASHER, 11X115	(4)	
019	90020-ZG3-003	BOLT, STUD, 10X103.5	4	
020	90715-PC6-000	DOWEL PIN, 13X20	(3)	
023	91003-ZG4-000	SET RING, 80	1	
025	91201-ZE9-003	OIL SEAL, 8X14X5	1	
026	91201-ZG4-003	OIL SEAL, 37X64X10	1	1001170
027	91202-ZG4-003	OIL SEAL, 31X80X10	1	1001170
028	91204-ZG3-003	PLUG, SEALING, 47MM	2	1001431
029	91301-812-000	O-RING, 10MM	1	
032	92800-14000	BOLT, DRAIN PLUG, 14MM	1	
034	94109-14000	WASHER, DRAIN PLUG, 14MM	1	
035	94301-10160	DOWEL PIN, 10X16	1	
036	94520-12000	CIRCLIP, INTERNAL, 12MM	1	
039	95701-0601600	BOLT, FLANGE, 6X16	2	
040	95701-0602200	BOLT, FLANGE, 6X22	2	
042	95701-0804000	BOLT, FLANGE, 8X40	6	1003237
043	95701-0805000	BOLT, FLANGE, 8X50	1	1003237

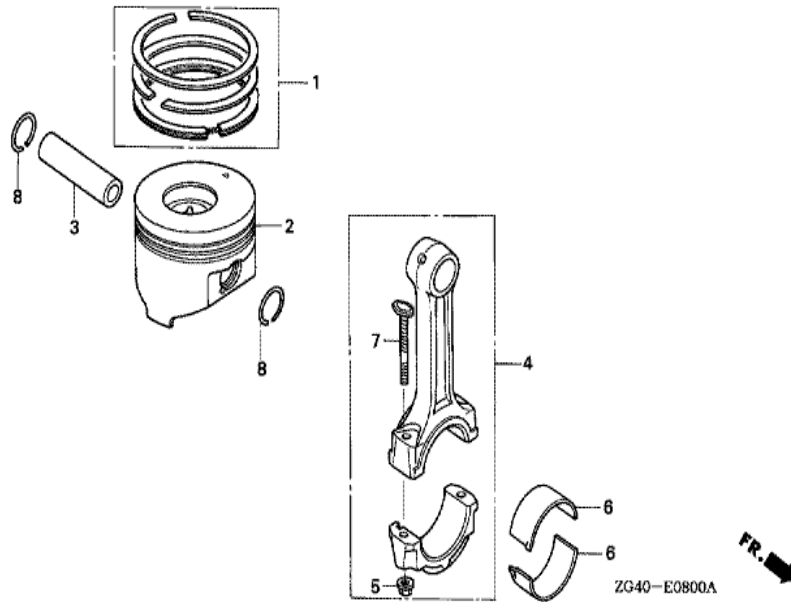


ZG40-E0500A

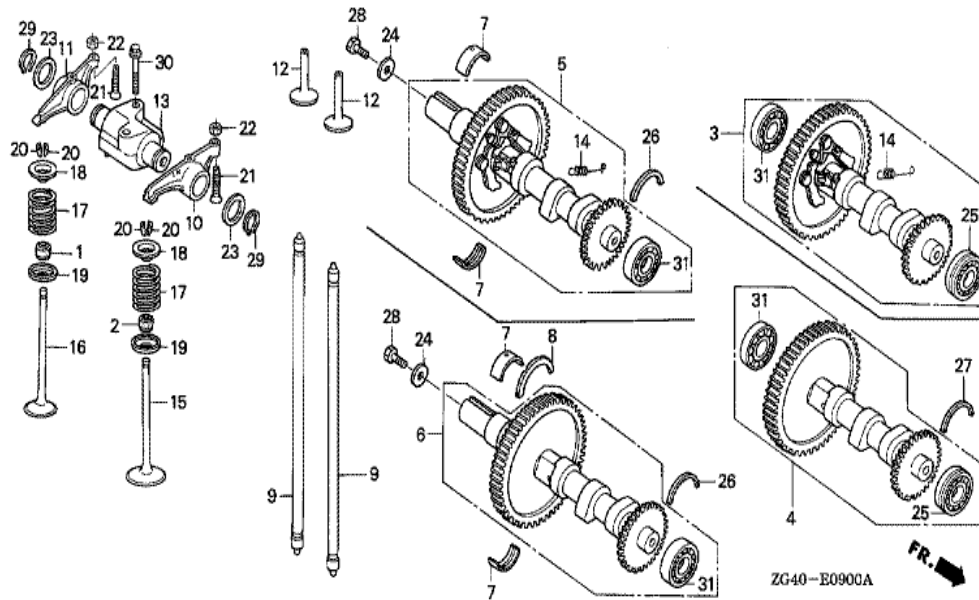
<u>Ref</u>	<u>Partnumber</u>	<u>Description</u>	<u>GD320</u>	<u>Serial Numbers</u>
001	15121-ZG3-000	COVER, OIL PUMP	1	
002	15220-ZG3-000	STRAINER COMP., OIL	1	1007019
003	15221-ZG3-000	STRAINER, OIL	1	1007018
004	15223-ZG3-000	SPRING, OIL STRAINER	1	1007018
004	15223-ZG3-300	SPRING, OIL STRAINER	1	1007019
005	15224-ZG3-000	COVER, OIL STRAINER	1	
006	15331-ZG3-013	ROTOR, OIL PUMP INNER	1	1002506
007	15341-ZG3-003	ROTOR, OIL PUMP OUTER	1	
008	16510-ZG3-010	WEIGHT COMP., GOVERNOR	1	
009	90443-ZG3-000	WASHER, 15.5MM	1	
010	91301-ZG3-000	O-RING, 42.2X2.4	2	
011	90011-ZG3-000	SCREW, FLAT, 6X16	3	
012	95701-0601600	BOLT, FLANGE, 6X16	2	
<u>Ref</u>	<u>Partnumber</u>	<u>Description</u>	<u>GD320</u>	<u>Serial Numbers</u>
013	96220-30134	ROLLER, 3X13.4	1	



Ref	Partnumber	Description	GD320	Serial Numbers
007	13310-ZG4-670	CRANKSHAFT COMP.	1	
008	13316-ZG4-000	BEARING, CRANKSHAFT THRUST (A) (BLUE)	1	
009	13350-ZG4-000	WEIGHT COMP., BALANCER	1	
013	91001-ZG4-003	BEARING, SPECIAL, 6307	1	
014	91006-ZG3-000	SET RING, 470	1	
015	91007-ZG4-003	BEARING, SPECIAL BALL, 6204 (B)	1	
016	91008-ZG4-003	BEARING, SPECIAL BALL, 6204 (C)	1	



<u>Ref</u>	<u>Partnumber</u>	<u>Description</u>	<u>GD320</u>	<u>Serial Numbers</u>
001	13010-ZG4-000	RING SET, PISTON (STD.)	1	1000465
001	13011-ZG4-000	RING SET, PISTON (0.25)	(1)	1000465
001	13012-ZG4-000	RING SET, PISTON (0.50)	(1)	1000465
001	13013-ZG4-000	RING SET, PISTON (0.75)	(1)	1000465
002	13101-ZG4-930	PISTON (STD.)	1	
003	13111-ZG4-000	PIN, PISTON	1	
004	13200-ZG4-000	ROD ASSY., CONNECTING	1	
005	13205-689-004	NUT, CONNECTING ROD (NAGOYA RASHI)	2	
006	13211-ZG4-000	BEARING A, CONNECTING ROD (BLUE)	(2)	
006	13212-ZG4-000	BEARING B, CONNECTING ROD (BLACK)	(2)	
006	13213-ZG4-000	BEARING C, CONNECTING ROD (BROWN)	(2)	
006	13214-ZG4-000	BEARING D, CONNECTING ROD (GREEN)	(2)	
006	13215-ZG4-000	BEARING E, CONNECTING ROD (YELLOW)	(2)	
<u>Ref</u>	<u>Partnumber</u>	<u>Description</u>	<u>GD320</u>	<u>Serial Numbers</u>
006	13216-ZG4-000	BEARING F, CONNECTING ROD (PINK)	(2)	
006	13217-ZG4-000	BEARING, CONNECTING ROD (G) (RED)	(2)	
006	13232-ZG4-000	BEARING A, CONNECTING ROD (UNDER SIZE 0.	(2)	
006	13233-ZG4-000	BEARING B, CONNECTING ROD (UNDER SIZE 0.	(2)	
006	13234-ZG4-000	BEARING C, CONNECTING ROD (UNDER SIZE 0.	(2)	
006	13236-ZG4-000	BEARING A, CONNECTING ROD (UNDER SIZE 0.	(2)	
006	13237-ZG4-000	BEARING B, CONNECTING ROD (UNDER SIZE 0.	(2)	
006	13238-ZG4-000	BEARING C, CONNECTING ROD (UNDER SIZE 0.	(2)	
006	13242-ZG4-000	BEARING A, CONNECTING ROD (UNDER SIZE 0.	(2)	
006	13243-ZG4-000	BEARING B, CONNECTING ROD (UNDER SIZE 0.	(2)	
006	13244-ZG4-000	BEARING C, CONNECTING ROD (UNDER SIZE 0.	(2)	
007	13213-463-003	BOLT, CONNECTING ROD (NAGOYA RASHI)	2	
008	90601-KA5-000	CLIP, PISTON PIN, 1.2X20	2	



Ref	Partnumber	Description	GD320	Serial Numbers
001	12210-PD2-003	SEAL A, VALVE STEM (ARAI)	1	
004	14100-ZG3-940	CAMSHAFT ASSY. (USA-SEL)	1	1000452
009	14410-ZG4-000	ROD, PUSH	2	
010	14421-ZG3-000	ARM, IN. VALVE ROCKER	1	
011	14431-ZG3-000	ARM, EX. VALVE ROCKER	1	
012	14441-ZE2-000	LIFTER, VALVE	2	1001170
013	14461-ZG3-000	SHAFT COMP., ROCKER ARM	1	
015	14711-ZG4-000	VALVE, IN.	1	
016	14721-ZG4-000	VALVE, EX.	1	
017	14751-ZG3-003	SPRING, VALVE	2	
018	14765-PG6-000	RETAINER, VALVE SPRING	2	1001344
019	14775-ZG3-000	SEAT, VALVE SPRING	2	
020	14781-MB9-000	COTTER, VALVE	4	
Ref	Partnumber	Description	GD320	Serial Numbers
021	90012-ZG3-000	SCREW, TAPPET ADJUSTING	2	
022	90206-001-000	NUT, TAPPET ADJUSTING	2	
023	90448-KE1-000	WASHER, THRUST, 16MM	2	
025	91002-ZG3-003	BEARING, SPECIAL BALL, 6204 (A) (NTN)	(1)	
027	91006-ZG3-000	SET RING, 470	1	
029	94510-16000	CIRCLIP, EXTERNAL, 16MM	2	
030	95701-0603500	BOLT, FLANGE, 6X35	2	
031	96100-6204300	BEARING, RADIAL BALL, 6204	(1)	