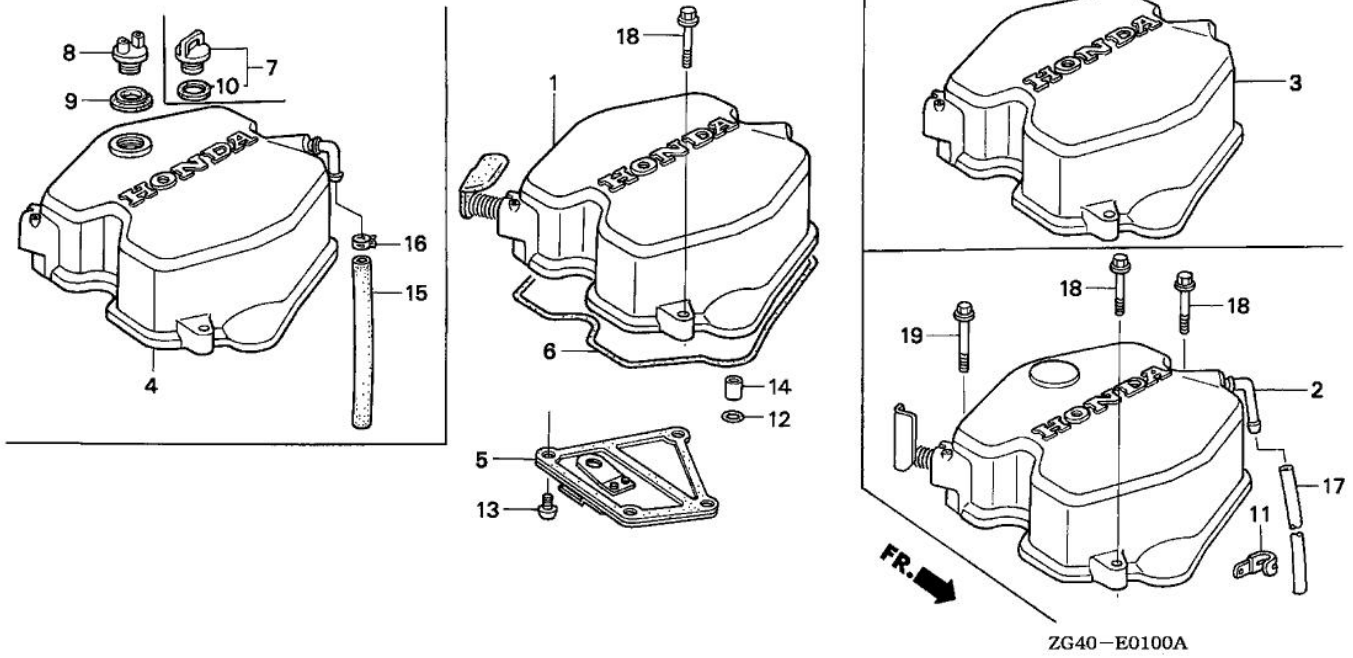


TRU-POWER, INC.

Model Name	GD320	Product Line	GENERAL PURPOSE ENGINE
Mfg		Type	VAA
Section	ENGINE	Illustration	CYLINDER HEAD COVER



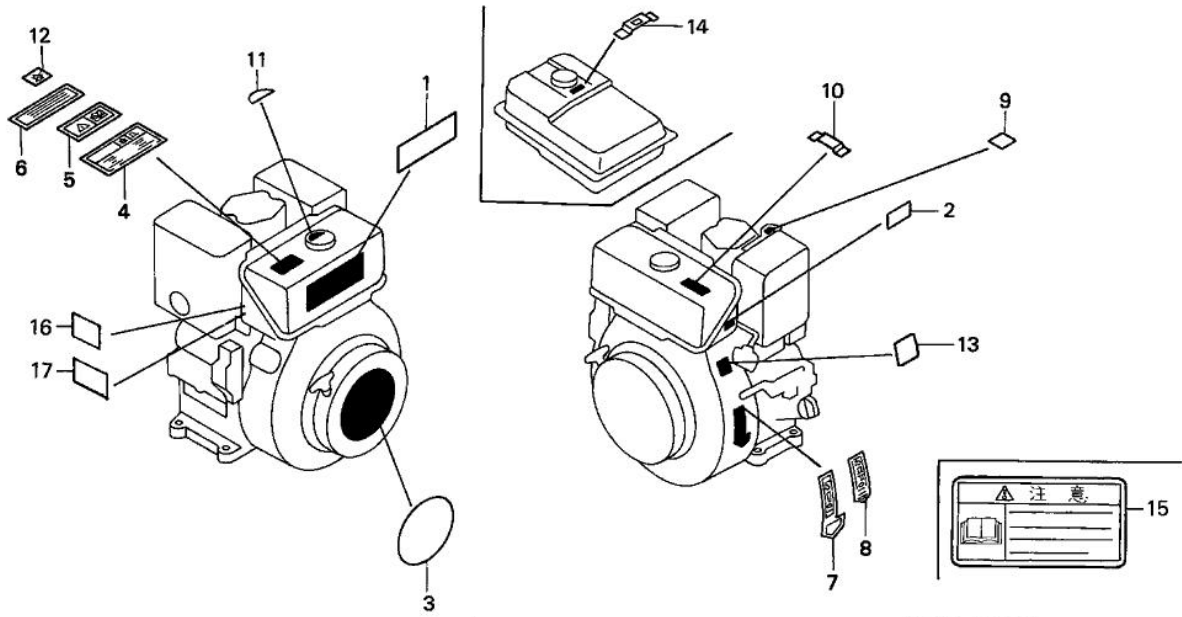
Ref.	Part Number	Part Description	Qty.
003	12311-ZG3-020	COVER, CYLINDER HEAD	001
005	12380-ZG3-000	PLATE, BREATHER	001
006	12391-ZG3-000	O-RING, HEAD COVER	001
012	51866-SA5-801	O-RING	001
013	90009-ZG3-000	SCREW, PAN (6X8)	004
013	93500-06008-0A	SCREW, PAN (6X8)	004
013	93500-06008-0H	SCREW, PAN (6X8)	004
014	94301-06100	PIN, DOWEL (6X10)	001
018	95701-06032-00	BOLT, FLANGE (6X32)	(AR)

Section

ENGINE

Illustration

LABEL



ZG40-E2800

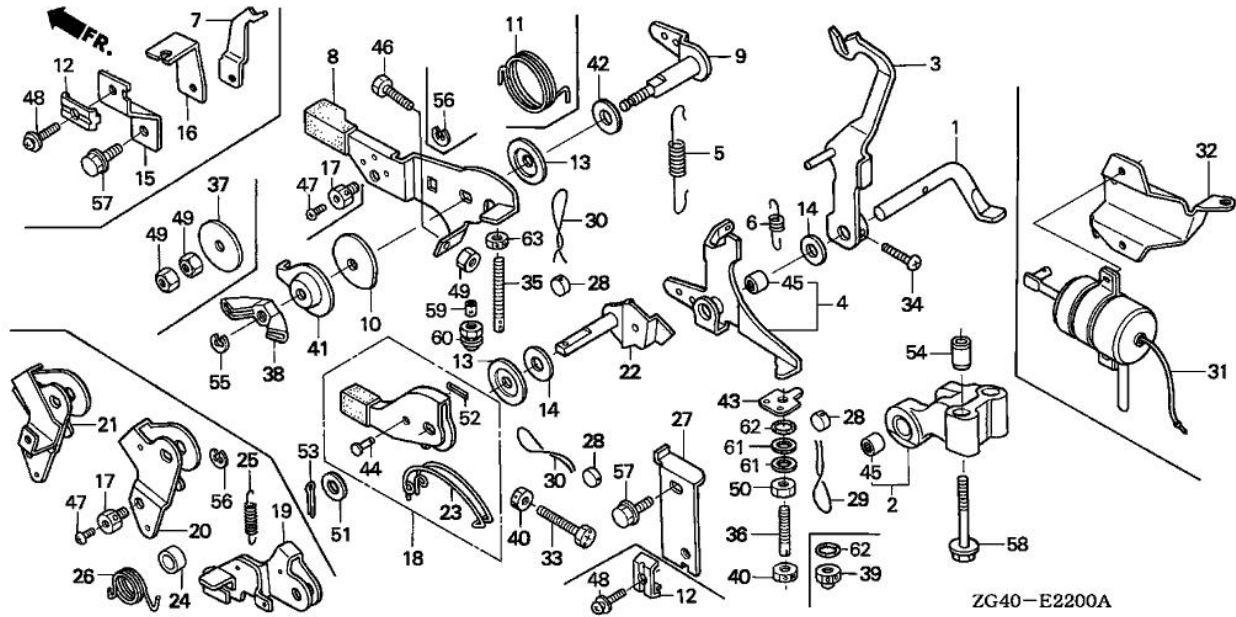
Ref.	Part Number	Part Description	Qty.
001	87101-ZG4-000	EMBLEM (GD320)	001
003	87521-ZG3-010	PLATE, EMBLEM	001
004	87522-ZG4-800	LABEL, CAUTION (ENGLISH)(FRENCH)(GERMAN) (SPANIS...	001
007	87532-ZG3-800	MARK, THROTTLE (ENGLISH)	001
010	87565-ZG3-810	MARK, FUEL (EXTERNAL)	001
011	87592-ZG3-800	MARK, USE FUEL (ENGLISH)	001
013	87594-ZG3-800	MARK, OIL CAUTION (ENGLISH)	001

Section

ENGINE

Illustration

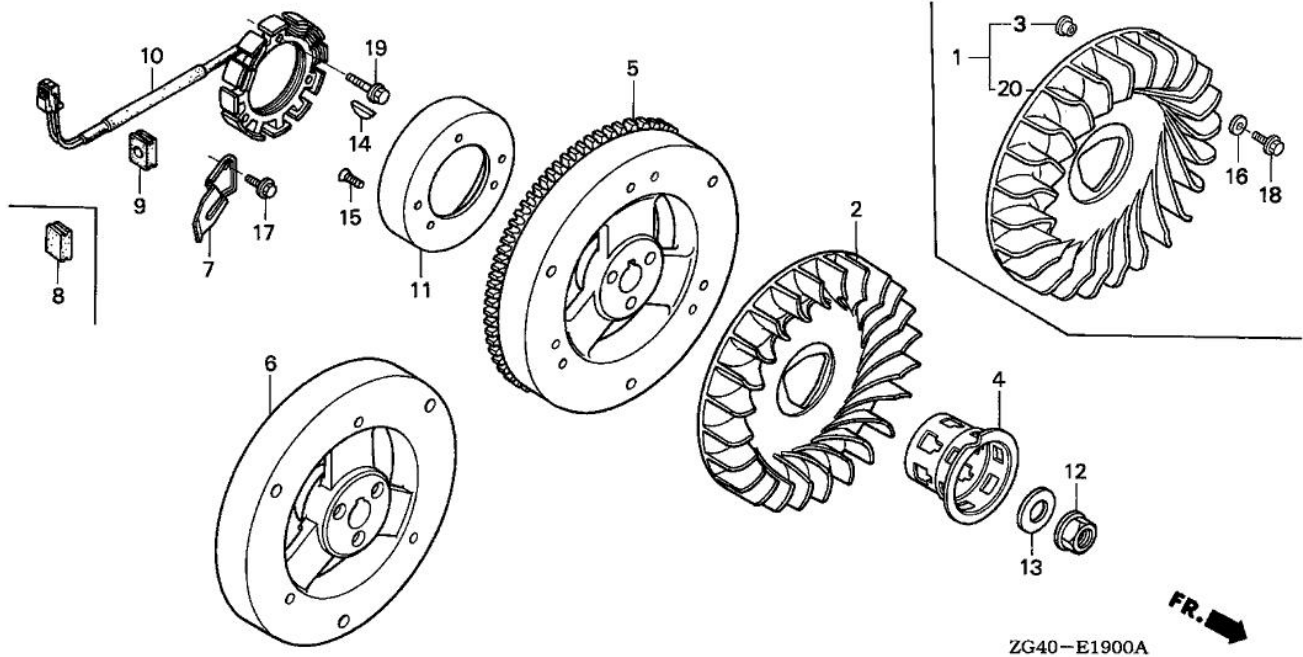
CONTROL



ZG40-E2200A

Ref.	Part Number	Part Description	Qty.
001	16541-ZG3-000	SHAFT, GOVERNOR ARM	001
002	16544-ZG3-000	STAY, GOVERNOR SHAFT	001
003	16550-ZG3-000	ARM, GOVERNOR	001
004	16558-ZG3-010	ARM, SUB-GOVERNOR	001
005	16561-ZG3-000	SPRING, GOVERNOR	001
006	16563-ZG3-000	SPRING, IDLE	001
006	16563-ZG3-010	SPRING, IDLE	001
008	16571-ZG3-010	LEVER, CONTROL	001
009	16572-ZG3-000	SHAFT, CONTROL LEVER	001
010	16574-ZG3-000	SPRING, LEVER	001
013	16577-ZG3-000	SPACER, CONTROL LEVER (A)	002
014	16578-ZG3-000	SPACER, CONTROL LEVER (B)	002
018	16630-ZG3-000	LEVER, STOP	001
022	16632-ZG3-000	SHAFT, STOP LEVER	001
023	16633-ZG3-300	SPRING, STOP LEVER	001
027	16645-ZG3-000	HOLDER, STOP CABLE	001
028	16727-705-000	END, LOCK	003
029	16728-ZG3-000	WIRE, LOCK (A)	001
030	16729-ZG3-000	WIRE, LOCK (B)	002
033	90007-ZG3-000	BOLT, RECESSED (6X32)	001
034	90010-ZG3-000	SCREW, PAN (3X18)	001
035	90045-ZG3-000	BOLT, CONTROL ADJUSTING	001
036	90102-ZG3-000	BOLT, ADJUSTING	(NOT AVAILABLE)
038	90203-679-000	NUT, PLUG COVER	001
040	90206-ZG3-000	NUT, HEX. (6MM)	001
041	90405-ZG3-000	WASHER (6X30)	001
042	16578-ZG3-000	SPACER, CONTROL LEVER (B)	001
043	90426-ZG3-000	WASHER, SEALING	001
044	90751-ZG3-300	PIN, CENTER (4X16.5)	001
045	91024-KG4-004	BEARING, NEEDLE (8X12X10) (TOYO)	002
046	92301-06020-0A	BOLT, RECESSED (6X20)	001
049	94001-06000-0S	NUT, HEX. (6MM)	001

Ref.	Part Number	Part Description	Qty.
049	94001-06200-0S	NUT, HEX. (6MM)	001
050	94001-06280-0S	NUT, HEX. (6MM)	001
051	94102-08000	WASHER, PLAIN (8MM)	001
052	94201-16080	PIN, SPLIT (1.6)	001
053	94201-25300	PIN, SPLIT (2.5X30)	001
054	94301-08140	PIN, DOWEL (8X14)	002
055	94540-03010	E-RING (3MM)	001
057	95701-06016-00	BOLT, FLANGE (6X16)	001
058	95701-06040-00	BOLT, FLANGE (6X40)	002
063	90206-ZG3-000	NUT, HEX. (6MM)	001



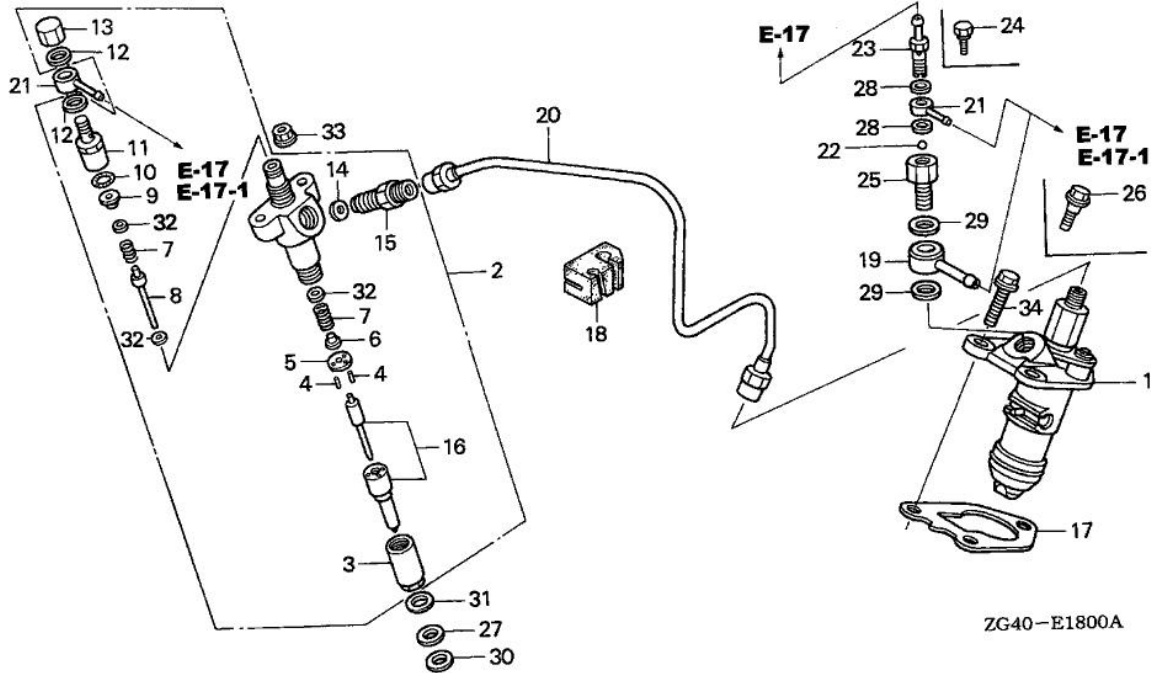
Ref.	Part Number	Part Description	Qty.
002	19511-ZG4-000	FAN, COOLING	001
004	28451-ZG4-000	PULLEY, STARTER	001
006	31101-ZG4-880	FLYWHEEL (N3)	001
008	31512-ZE8-000	GROMMET, WIRE	001
012	90201-ZG3-000	NUT, FLANGE (20MM)	001
013	90401-ZG3-000	WASHER (20MM)	001
014	90741-ZG3-000	KEY, WOODRUFF (50X7)	001

Section

ENGINE

Illustration

FUEL INJECTION PUMP



Ref.	Part Number	Part Description		Qty.
001	16300-ZG3-931	PUMP ASSY., FUEL INJECTION	(NOT AVAILABLE)	001
002	16410-ZG3-013	NOZZLE & HOLDER ASSY.	(NOT AVAILABLE)	001
003	16413-ZG3-003	NUT, RETAINING		001
004	16414-ZG3-003	PIN (1.78X9.3)		002
005	16415-ZG3-003	SPACER		001
006	16416-ZG3-003	SEAT, SPRING (A)		001
007	16417-ZG3-003	SPRING, NOZZLE		002
008	16418-ZG3-003	ROD, PUSH		001
009	16419-ZG3-003	SEAT, SPRING (B)		001
010	16421-ZG3-003	O-RING		001
011	16422-ZG3-003	NUT, CAP		001
012	16423-ZG3-003	GASKET A		002
013	16424-ZG3-003	NUT		001
014	16425-ZG3-003	GASKET B		001
015	16426-ZG3-003	CONNECTOR, IN.		001
016	16431-ZG3-003	NOZZLE		001
017	16441-ZG3-000	GASKET, FUEL INJECTION PUMP (0.2) (C)		(1)
017	16442-ZG3-000	GASKET, FUEL INJECTION PUMP (0.3) (D)		(1)
017	16443-ZG3-000	GASKET, FUEL INJECTION PUMP (0.4) (E)		(1)
017	16444-ZG3-000	GASKET, FUEL INJECTION PUMP (0.1) (A)		(1)
017	16445-ZG3-000	GASKET, FUEL INJECTION PUMP (0.15) (B)		(1)
017	16451-ZG3-000	GASKET, FUEL INJECTION PUMP (0.5) (F)		(1)
017	16452-ZG3-000	GASKET, FUEL INJECTION PUMP (0.6) (G)		(1)
018	16447-ZG3-000	RUBBER, FUEL TUBE CLAMP		001
019	16449-ZG3-000	JOINT, FUEL		001
020	16455-ZG4-000	PIPE A, FUEL		001
021	16647-ZG3-000	JOINT, AIR BREATHER (B)		002
022	16648-ZG3-000	BALL, CHECK		001
023	90025-ZG3-000	BOLT, AIR BREATHER (8X20)		001
025	90027-ZG3-000	BOLT, FUEL JOINT (12X25.5)		001
026	90161-744-000	BOLT, ROTARY TRANSMISSION		002
027	90402-ZG3-880	WASHER, PLAIN (7MM)		001

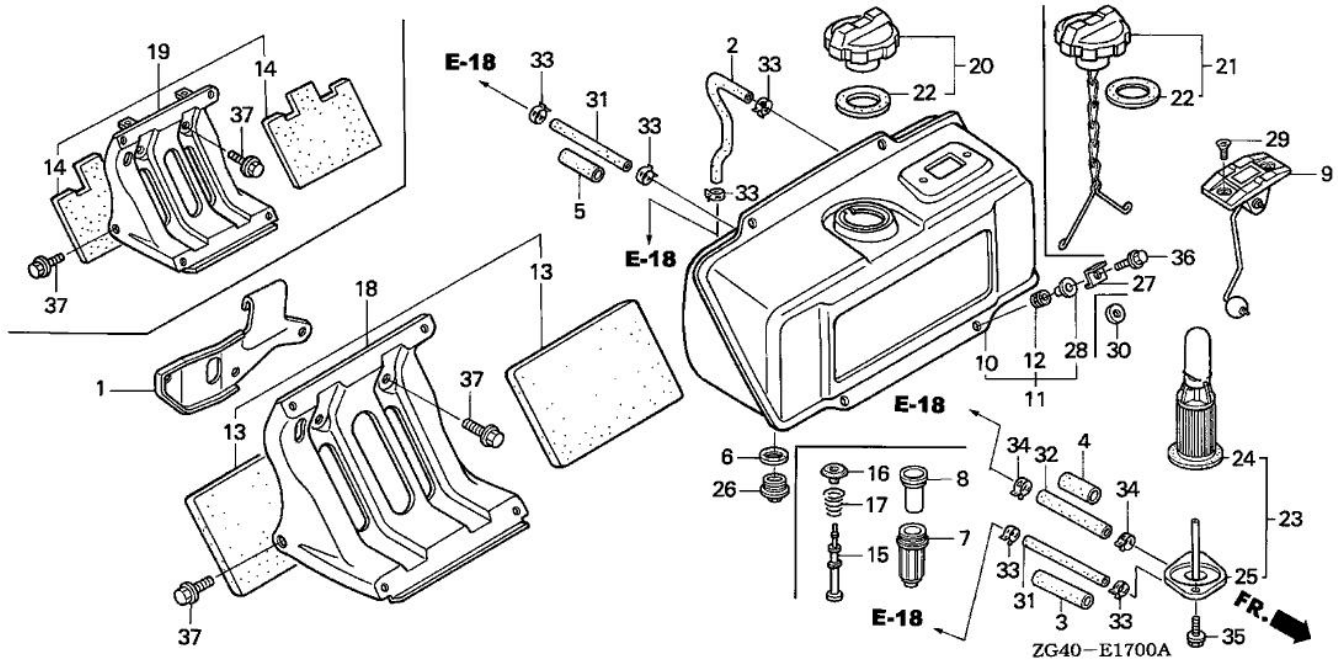
Ref.	Part Number	Part Description	Qty.
028	90403-ZG3-000	WASHER (8MM)	002
029	90418-ZG3-000	WASHER, FUEL JOINT	002
030	90455-ZG3-880	GASKET, SPECIAL (7MM)	001
031	90451-ZG3-000	GASKET A, NOZZLE (0.8)	001
031	90452-ZG3-000	GASKET B, NOZZLE (1.0)	001
031	90453-ZG3-000	GASKET C, NOZZLE (1.2)	001
031	90454-ZG3-000	GASKET D, NOZZLE (1.4)	001
032	90460-ZG3-003	SHIM A (0.50)	(AR
032	90461-ZG3-003	SHIM B (0.51)	(AR
032	90462-ZG3-003	SHIM C (0.52)	(AR
032	90463-ZG3-003	SHIM D (0.53)	(AR
032	90464-ZG3-003	SHIM E (0.54)	(AR
032	90465-ZG3-003	SHIM F (0.55)	(AR
032	90466-ZG3-003	SHIM G (0.56)	(AR
032	90467-ZG3-003	SHIM H (0.57)	(AR
032	90468-ZG3-003	SHIM I (0.58)	(AR
032	90469-ZG3-003	SHIM J (0.59)	(AR
032	90470-ZG3-003	SHIM K (0.60)	(AR
032	90471-ZG3-003	SHIM L (0.70)	(AR
032	90472-ZG3-003	SHIM M (0.80)	(AR
032	90473-ZG3-003	SHIM N (0.90)	(AR
033	94050-06000	NUT, FLANGE (6MM)	002
034	95701-08025-00	BOLT, FLANGE (8X25)	001
034	95701-08025-00	BOLT, FLANGE (8X25)	003

Section

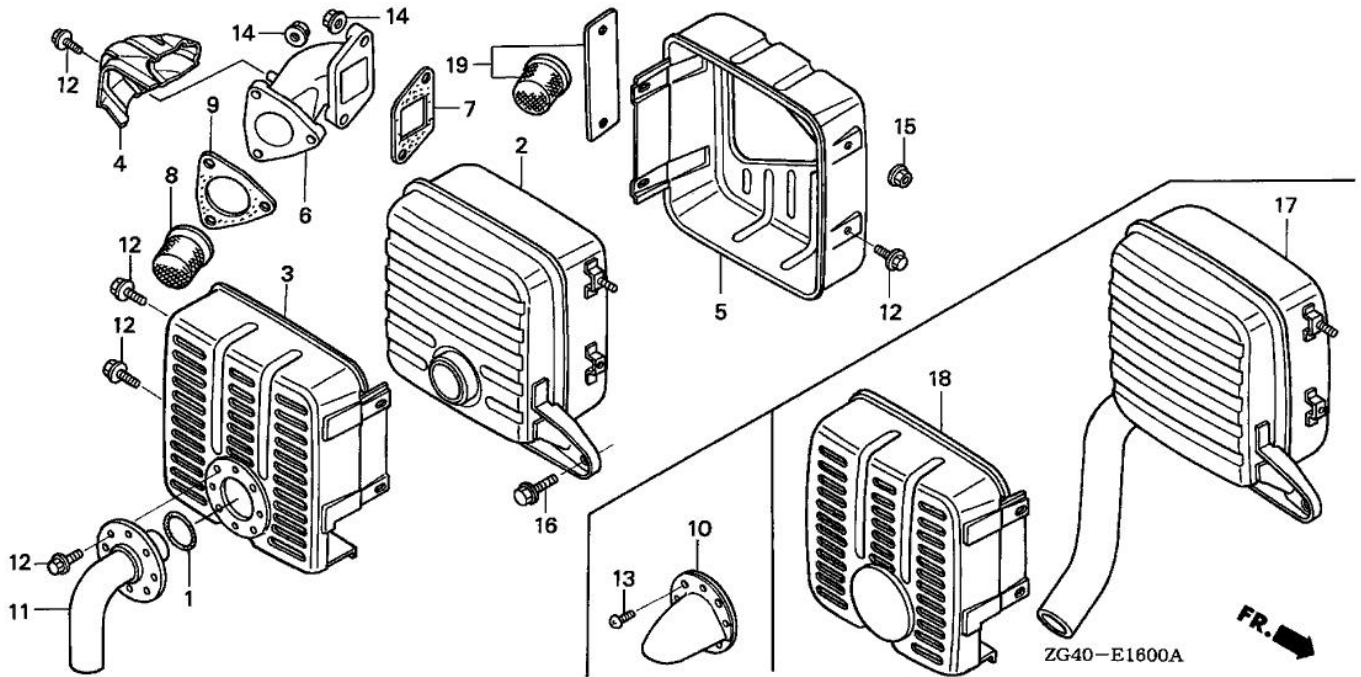
ENGINE

Illustration

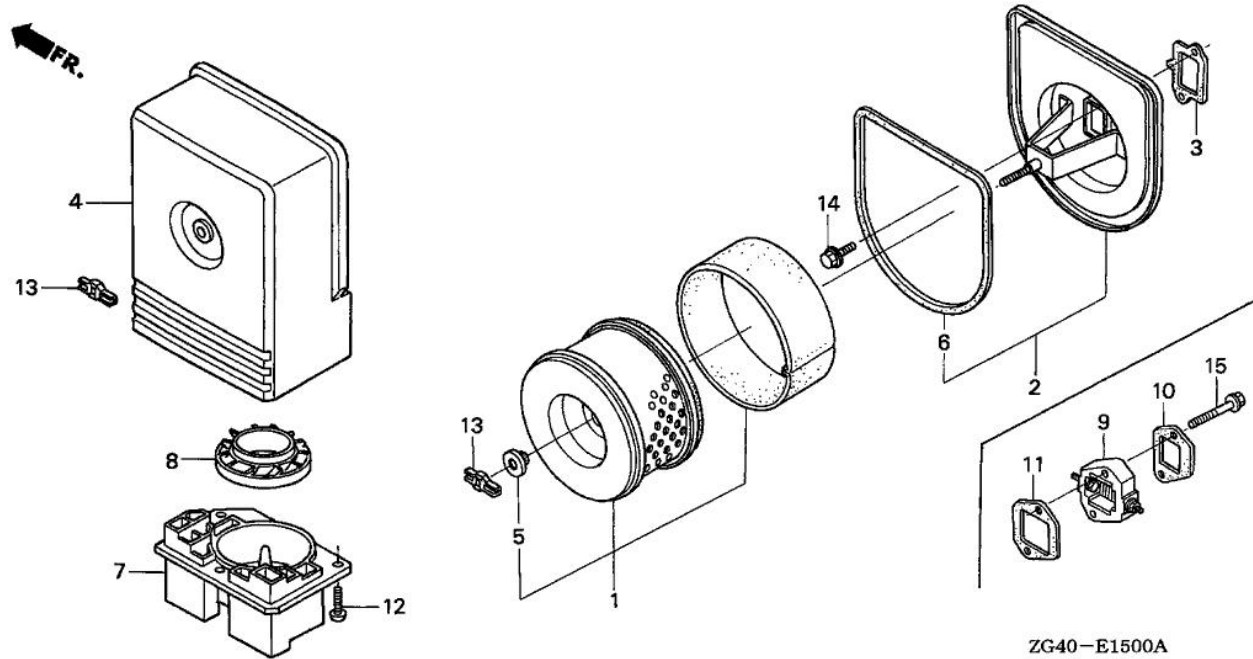
FUEL TANK (1)



Ref.	Part Number	Part Description	Qty.
001	11911-ZG3-000	HANGER, ENGINE	001
002	16346-ZG4-000	TUBE, FUEL	001
003	16854-ZG3-000	RUBBER, SUPPORTER (9X48)	001
004	16857-ZG3-000	RUBBER, SUPPORTER (B)	001
005	16858-ZG3-000	RUBBER, SUPPORTER (9X30)	001
006	16963-443-901	GASKET	001
009	17505-ZG3-801	GAUGE ASSY., FUEL	001
010	17510-ZG3-800ZC	TANK, FUEL *R280* (GAUGE)(POWER RED)	(1)
013	17535-ZG3-000	SEAT, TANK STAY	002
018	17560-ZG3-000	STAY, FUEL TANK	001
020	17620-ZG3-003	CAP, FUEL FILLER	001
022	17631-329-003	GASKET, FUEL FILLER CAP (39X58X3)	001
023	17670-ZG3-013	FILTER ASSY., FUEL	(1)
024	17682-ZG3-003	STRAINER	001
025	17687-ZG3-013	BODY, STRAINER	(1)
026	90021-ZG3-003	BOLT, DRAIN	001
027	90407-ZG3-010	WASHER, SPECIAL (6MM)	004
029	93600-05010-0A	SCREW, FLAT (5X10)	002
031	95001-45003-60M	BULK HOSE, FUEL (4.5X3000) OEM CUT SIZE: (95001-450)(95001-45001-60M)	002
032	95001-80001-60M	BULK HOSE, FUEL (8X1000) OEM CUT SIZE: (8X90)	001
033	95002-40800-08	CLAMP, TUBE (D8)	006
034	95002-41250-08	CLAMP, TUBE (D12.5)	002
035	95701-06012-00	BOLT, FLANGE (6X12)	002
036	95701-06014-00	BOLT, FLANGE (6X14)	004
037	95701-08022-00	BOLT, FLANGE (8X22)	004



Ref.	Part Number	Part Description	Qty.
002	18310-ZG3-003	MUFFLER	001
003	18321-ZG3-003	PROTECTOR A, MUFFLER	001
005	18325-ZG3-003	PROTECTOR B, MUFFLER	001
006	18331-ZG3-000	PIPE, EX.	001
007	18333-ZG3-800	GASKET, EX. PIPE (NON-ASBESTOS)	001
008	18355-ZG3-000	ARRESTER, SPARK	(1)
009	18381-ZG3-800	GASKET, MUFFLER (NON-ASBESTOS)	001
010	18431-ZG3-800	DEFLECTOR, MUFFLER	(1)
012	90002-ZG3-000	BOLT, FLANGE (5X8)	003
013	93500-05008-0B	SCREW, PAN (5X8)	(4)
014	94050-08000	NUT, FLANGE (8MM)	005
015	94050-08020	NUT, FLANGE (8MM)	001
016	95701-08020-00	BOLT, FLANGE (8X20)	001



ZG40-E1500A

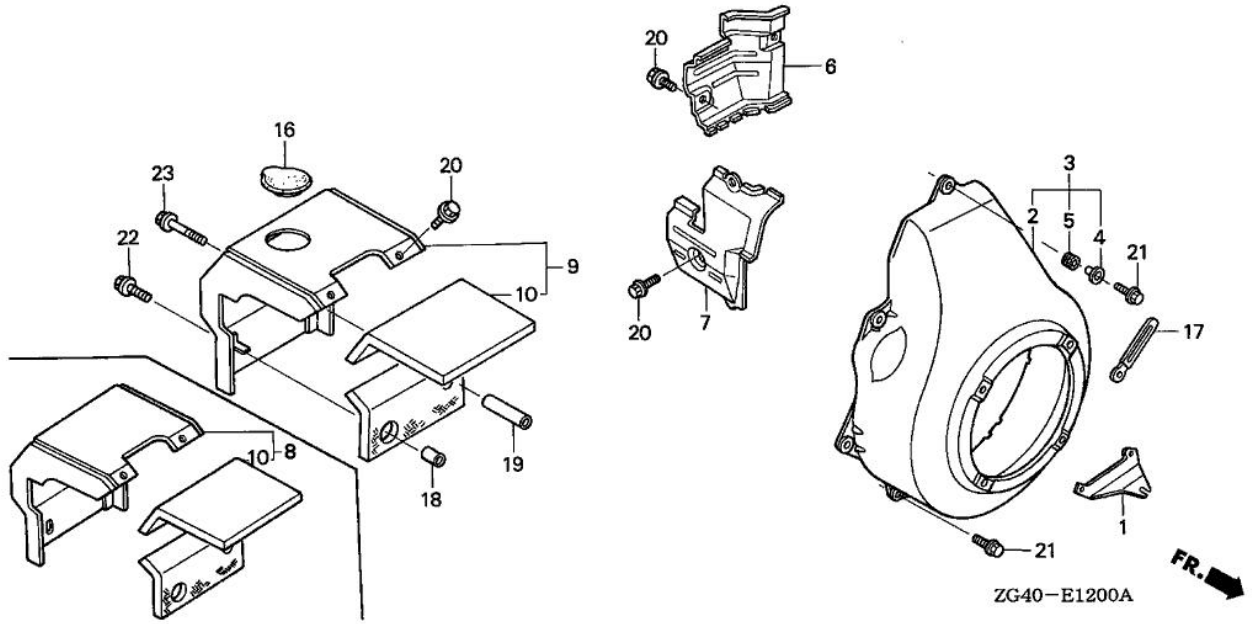
Ref.	Part Number	Part Description	Qty.
001	17210-ZG3-506	ELEMENT, AIR CLEANER	(1)
002	17220-ZG3-003	HOUSING, AIR CLEANER	001
003	17228-ZG3-800	GASKET, AIR CLEANER (NON-ASBESTOS)	001
004	17230-ZG3-000	COVER, AIR CLEANER	001
005	17232-ZG3-003	GROMMET, AIR CLEANER	001
006	17406-ZG3-000	GASKET, AIR CLEANER HOUSING	001
007	17471-ZG3-000	CASE, PRE CLEANER	001
007	17471-ZG3-010	CASE, PRE CLEANER	001
008	17476-ZG3-003	GUIDE, PRE AIR CLEANER	001
012	90142-MB0-000	SCREW, PAN (5X16.5)	003
013	90203-PB2-000	NUT, AIR CLEANER COVER (DACRO COATING)	002
014	95701-08022-00	BOLT, FLANGE (8X22)	002

Section

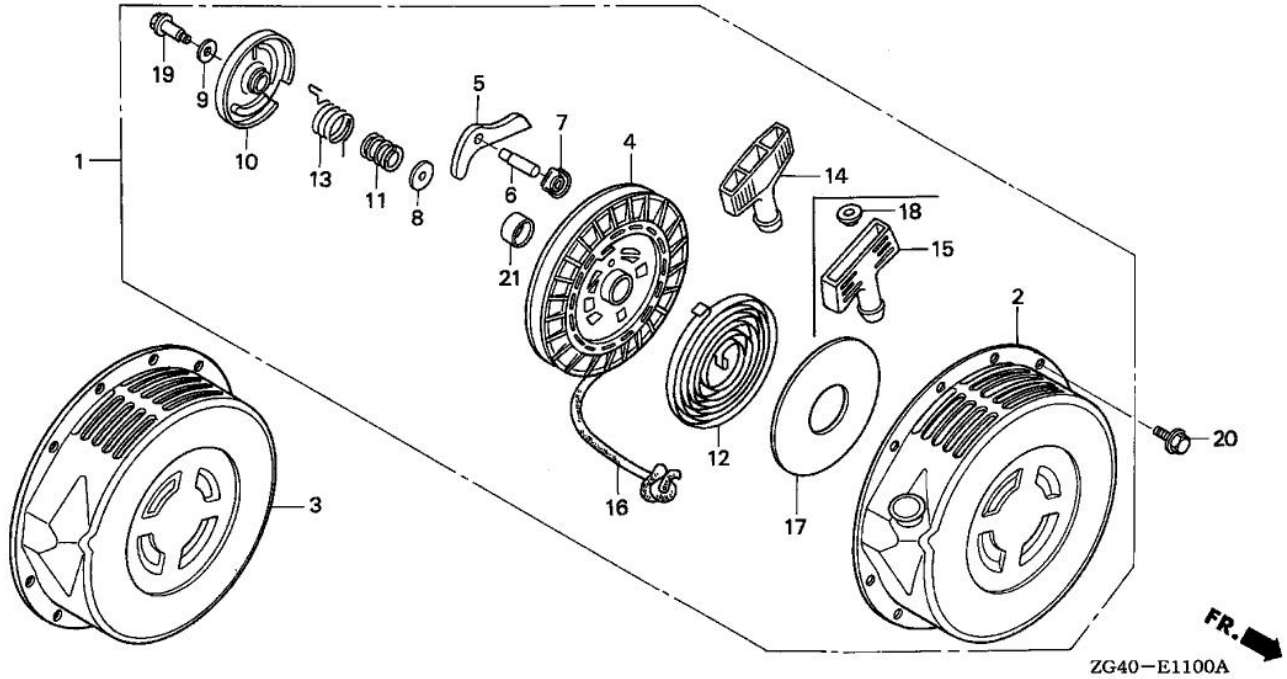
ENGINE

Illustration

FAN COVER



Ref.	Part Number	Part Description	Qty.
002	19610-ZG4-000ZA	COVER, FAN *NH116M*(URBAN SILVER METALLIC)	001
006	19631-ZG4-000	SHROUD (A)	001
007	19632-ZG4-000	SHROUD (B)	001
020	95701-06012-00	BOLT, FLANGE (6X12)	004
021	95701-06012-00	BOLT, FLANGE (6X12)	007



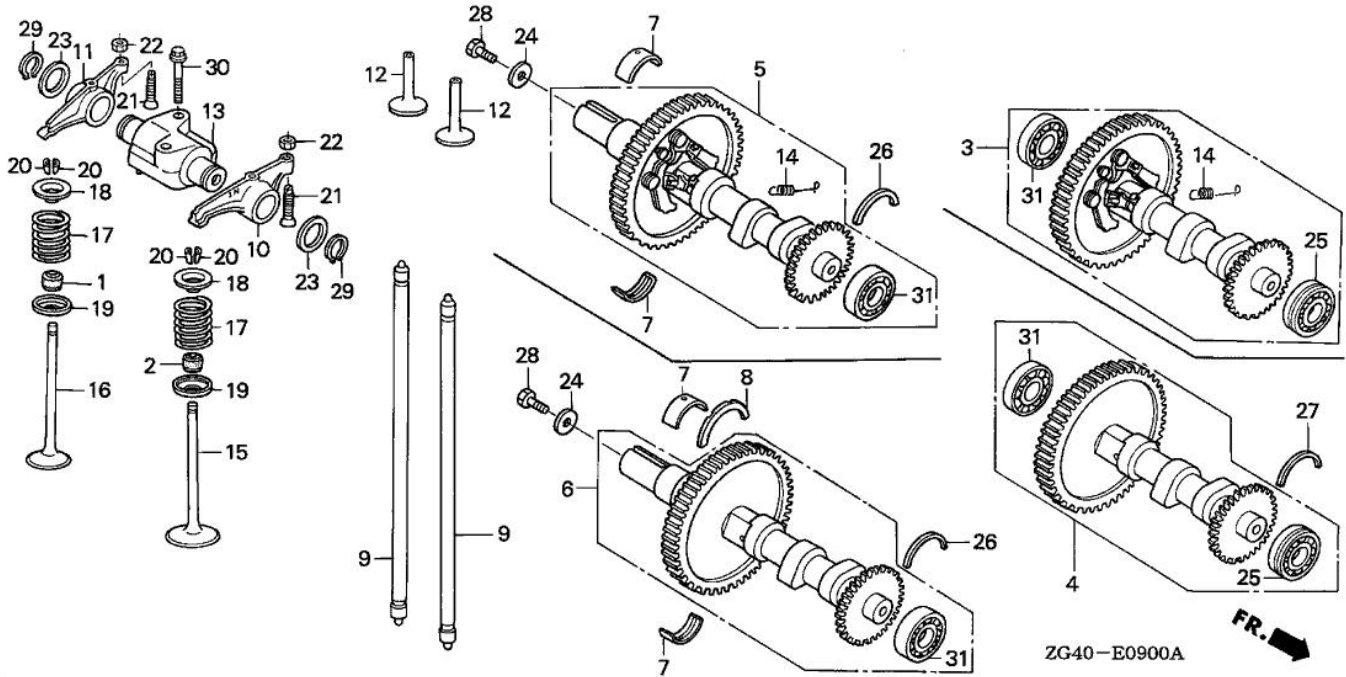
Ref.	Part Number	Part Description	Qty.
001	28400-ZG3-014ZA	STARTER ASSY., RECOIL *NH116M*(URBAN SILVER METALLIC)	001
002	28410-ZG3-004	CASE, STARTER	001
004	28420-ZE8-811	REEL, STARTER	001
004	28420-ZE8-812	REEL, STARTER	001
005	28422-ZG3-004	RATCHET, STARTER	001
006	28423-ZG3-004	SHAFT, RATCHET	001
007	28424-ZE1-712	PLATE, GUIDE	001
008	28431-ZG3-004	PLATE A, FRICTION	001
009	28432-883-T20	PLATE B, FRICTION	001
010	28434-ZE8-812	COVER, STARTER REEL	001
011	28441-ZG3-004	SPRING, FRICTION (D=13.0MM / L=16.3MM)	001
012	28442-ZE1-713	SPRING, RETURN	001
013	28449-ZG3-004	SPRING, TORSION	001
015	28461-ZG3-014	GRIP, STARTER	001
016	28462-ZG3-004	ROPE, STARTER	001
018	28469-ZE2-W01	REINFORCEMENT, GRIP	001
019	90003-ZG3-004	BOLT (6MM)	001
020	90011-ZG0-000	BOLT, FLANGE (6X8)	004
021	91501-ZG3-004	COLLAR	001

Section

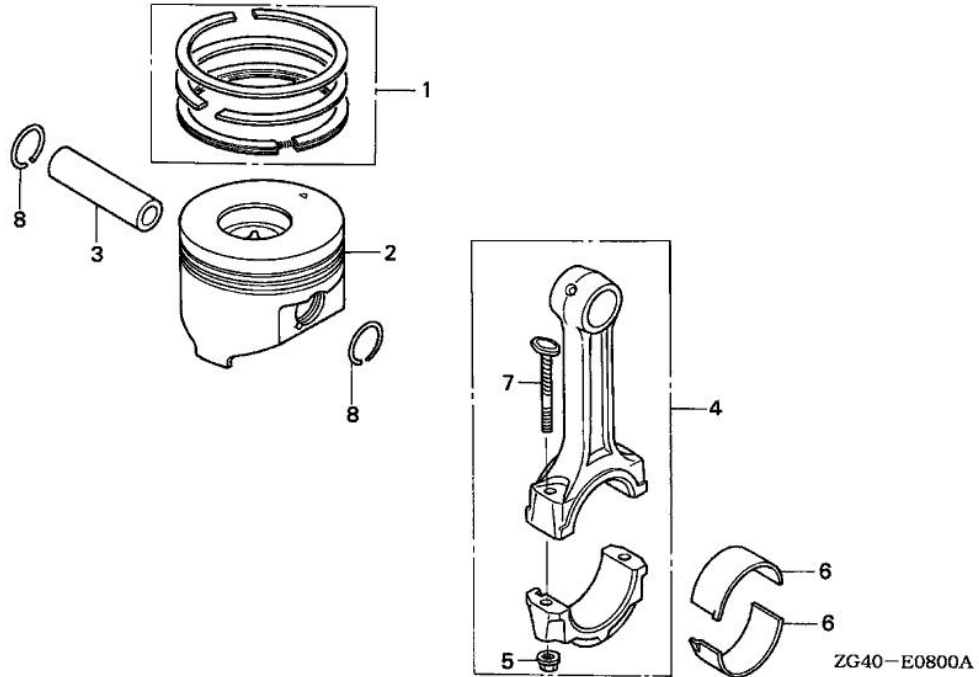
ENGINE

Illustration

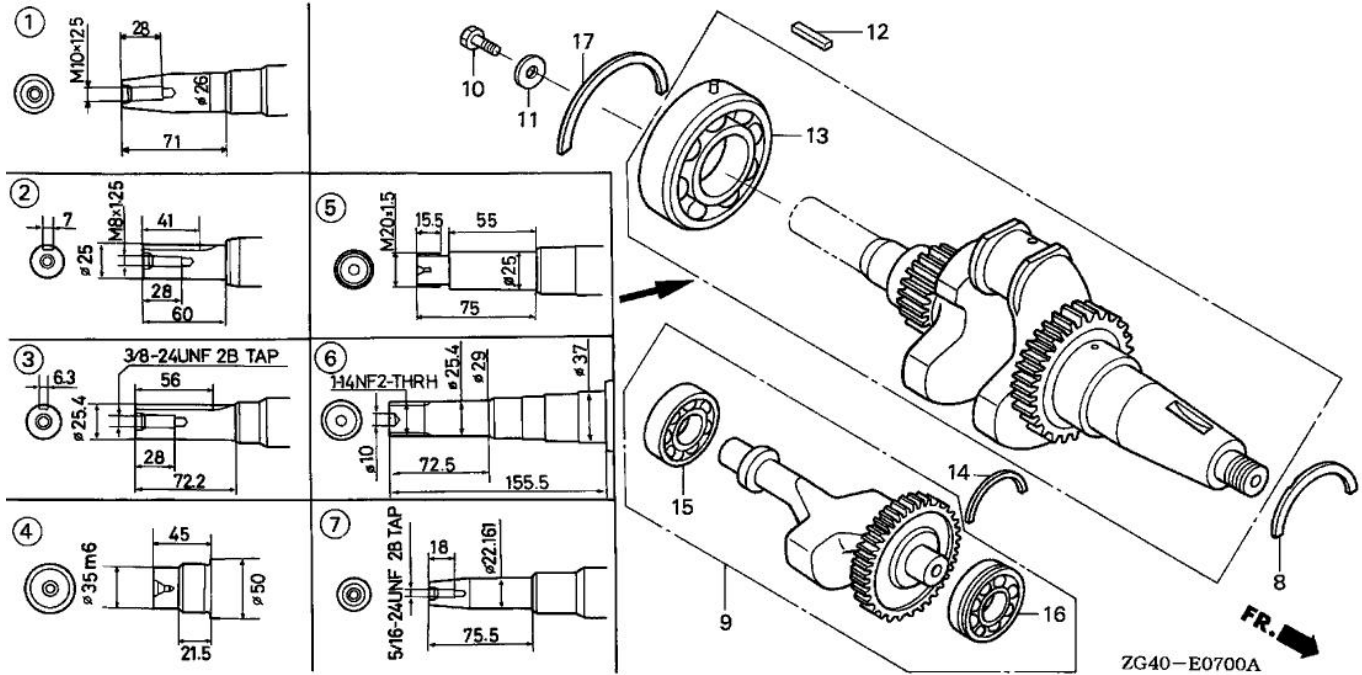
CAMSHAFT



Ref.	Part Number	Part Description	Qty.
002	12210-PD2-003	SEAL A, VALVE STEM (ARAI)	001
003	14100-ZG3-930	CAMSHAFT ASSY. (USA)	001
009	14410-ZG4-000	ROD, PUSH	002
010	14421-ZG3-000	ARM, IN. VALVE ROCKER	001
011	14431-ZG3-000	ARM, EX. VALVE ROCKER	001
012	14441-ZE2-000	LIFTER, VALVE	002
013	14461-ZG3-000	SHAFT, ROCKER ARM	001
014	14568-ZG3-000	SPRING, WEIGHT RETURN	001
015	14711-ZG4-000	VALVE, IN.	001
016	14721-ZG4-000	VALVE, EX.	001
017	14751-ZG3-003	SPRING, VALVE	002
018	14771-ZJ8-000	RETAINER, VALVE SPRING	002
019	14775-ZG3-000	SEAT, VALVE SPRING	002
020	14781-MB9-000	COTTER, VALVE	004
021	90012-ZG3-000	SCREW, TAPPET ADJUSTING	002
022	90206-001-000	NUT, TAPPET ADJUSTING	002
023	90448-KE1-000	WASHER, THRUST (16MM)	002
025	91002-ZG3-003	BEARING A, SPECIAL BALL (6204)(NTN)	001
027	91006-ZG3-000	SET-RING (470)	001
029	94510-16000	CIRCLIP (OUTER) (16MM)	002
030	95701-06035-00	BOLT, FLANGE (6X35)	002
031	96100-62043-00	BEARING, RADIAL BALL (6204)	001



Ref.	Part Number	Part Description	Qty.
001	13010-ZG4-010	RING SET, PISTON (STD)	001
001	13011-ZG4-010	RING SET, PISTON (0.25)	(1)
001	13012-ZG4-010	RING SET, PISTON (0.50)	(1)
001	13013-ZG4-000	RING SET, PISTON (0.75)	(1)
002	13101-ZG4-010	PISTON (STD)	001
002	13101-ZG4-930	PISTON (STD)	001
003	13111-ZG4-000	PIN, PISTON	001
004	13200-ZG4-000	ROD ASSY., CONNECTING	001
005	13205-634-010	NUT, CONNECTING ROD	002
006	13211-ZG4-000	BEARING A, CONNECTING ROD (BLUE)	002
006	13212-ZG4-000	BEARING B, CONNECTING ROD (BLACK)	002
006	13213-ZG4-000	BEARING C, CONNECTING ROD (BROWN)	002
006	13214-ZG4-000	BEARING D, CONNECTING ROD (GREEN)	002
006	13215-ZG4-000	BEARING E, CONNECTING ROD (YELLOW)	002
006	13216-ZG4-000	BEARING F, CONNECTING ROD (PINK)	002
006	13217-ZG4-000	BEARING G, CONNECTING ROD (RED)	002
006	13232-ZG4-000	BEARING A, CONNECTING ROD (UNDER SIZE 0.25) (BLACK)	(2)
006	13233-ZG4-000	BEARING B, CONNECTING ROD (UNDER SIZE 0.25) (BROWN)	(2)
006	13234-ZG4-000	BEARING C, CONNECTING ROD (UNDER SIZE 0.25) (GREEN)	(2)
006	13236-ZG4-000	BEARING A, CONNECTING ROD (UNDER SIZE 0.50) (BLACK)	(2)
006	13237-ZG4-000	BEARING B, CONNECTING ROD (UNDER SIZE 0.50) (BROWN)	(2)
006	13238-ZG4-000	BEARING C, CONNECTING ROD (UNDER SIZE 0.50) (GREEN)	(2)
006	13242-ZG4-000	BEARING A, CONNECTING ROD (UNDER SIZE 0.75) (BLACK)	(2)
006	13243-ZG4-000	BEARING B, CONNECTING ROD (UNDER SIZE 0.75) (BROWN)	(2)
006	13244-ZG4-000	BEARING C, CONNECTING ROD (UNDER SIZE 0.75) (GREEN)	(2)
007	13213-463-003	BOLT, CONNECTING ROD (NAGOYA RASHI)	002
008	90601-KA5-000	CLIP, PISTON PIN (1.2X20)	002



ZG40-E0700A

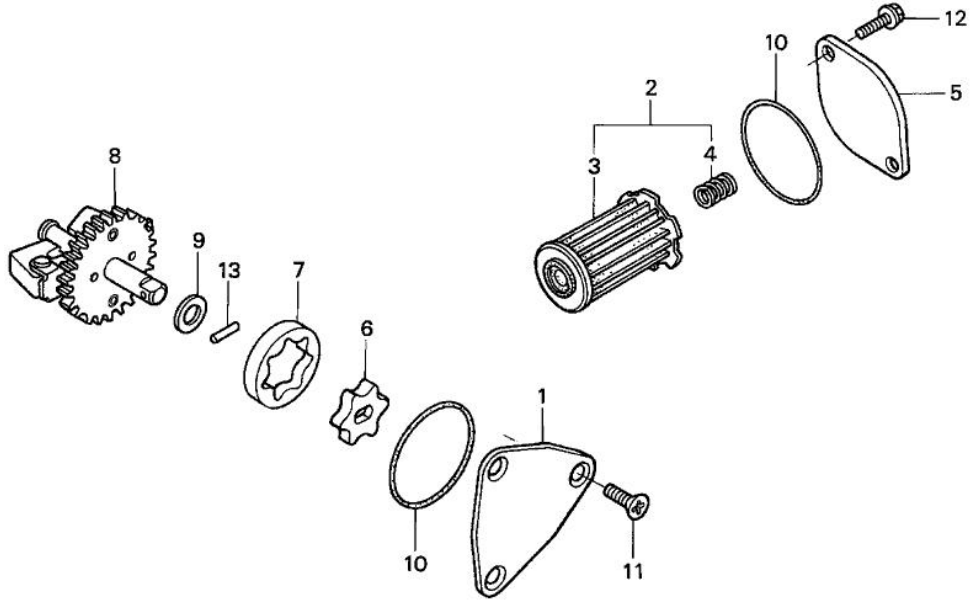
Ref.	Part Number	Part Description	Qty.
007	13310-ZG4-670	CRANKSHAFT	001
008	13316-ZG4-000	BEARING A, CRANKSHAFT THRUST (BLUE)	001
009	13350-ZG4-000	WEIGHT, BALANCER	001
013	91001-ZG4-003	BEARING, SPECIAL (6307)	001
014	91006-ZG3-000	SET-RING (470)	001
015	91102-GE1-711	BEARING, RADIAL BALL (6204) (TOYO)	001
016	91008-ZG4-003	BEARING C, SPECIAL BALL (6204)	001

Section

ENGINE

Illustration

OIL PUMP



ZG40-E0500A

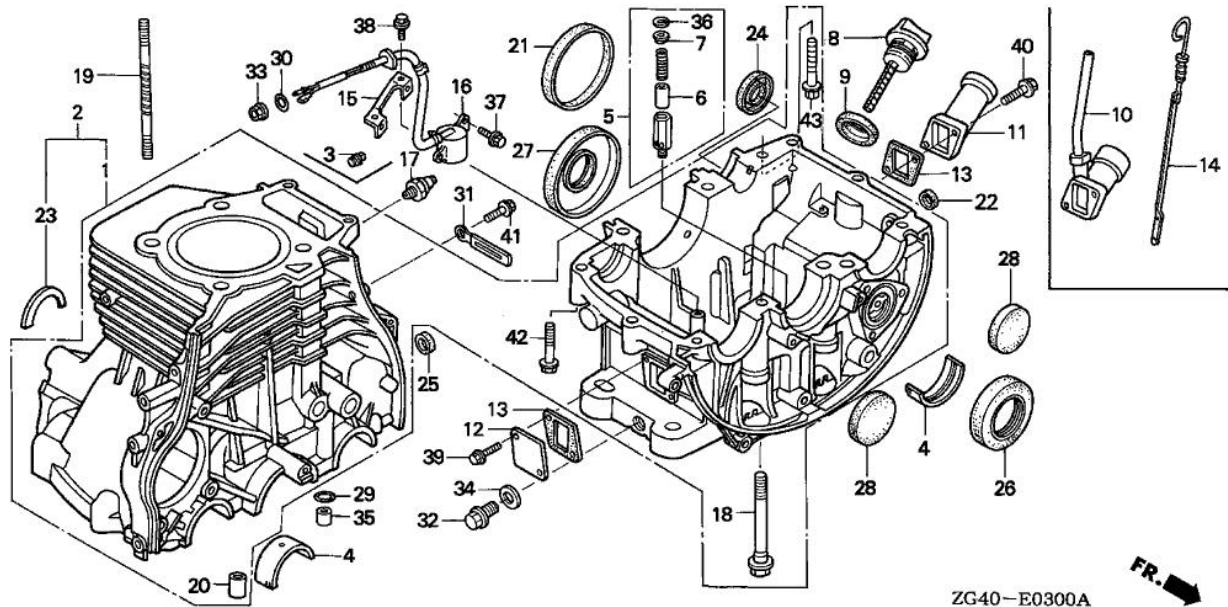
Ref.	Part Number	Part Description	Qty.
001	15121-ZG3-000	COVER, OIL PUMP	001
002	15220-ZG3-000	STRAINER, OIL	001
003	15221-ZG3-000	STRAINER, OIL	(NOT AVAILABLE)
004	15223-ZG3-000	SPRING, OIL STRAINER	001
004	15223-ZG3-300	SPRING, OIL STRAINER	001
005	15224-ZG3-000	COVER, OIL STRAINER	001
006	15331-ZG3-013	ROTOR, OIL PUMP (INNER)	001
007	15341-ZG3-003	ROTOR, OIL PUMP (OUTER)	001
008	16510-ZG3-010	WEIGHT, GOVERNOR	001
009	90443-ZG3-000	WASHER (15.5MM)	001
010	91301-ZG3-000	O-RING (42.2X2.4)	002
011	90011-ZG3-000	SCREW, FLAT (6X16)	003
012	95701-06016-00	BOLT, FLANGE (6X16)	002
013	96220-30134	ROLLER (3X13.4)	001

Section

ENGINE

Illustration

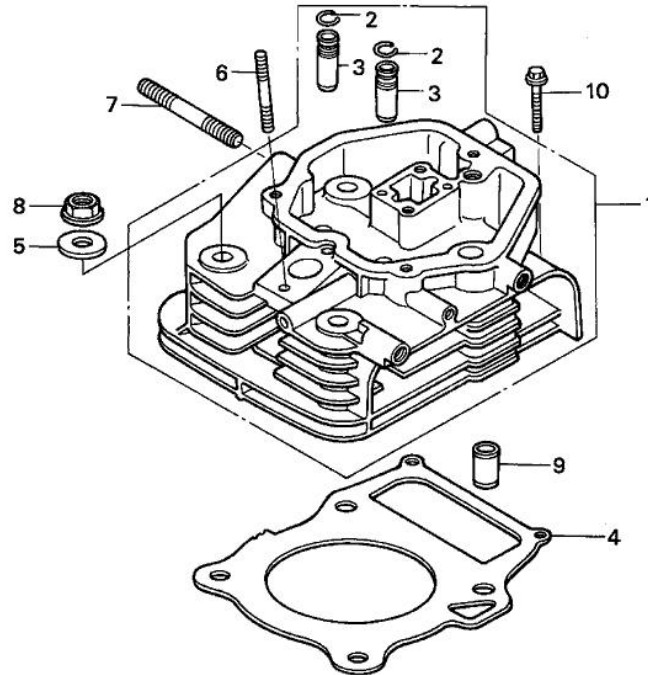
CYLINDER



ZG40-E0300A

Ref.	Part Number	Part Description	Qty.
001	12000-ZG4-600	CYLINDER ASSY.	(1)
004	13321-ZG4-003	BEARING A, MAIN (BLUE)	002
004	13322-ZG4-003	BEARING B, MAIN (BLACK)	002
004	13323-ZG4-003	BEARING C, MAIN (BROWN)	002
004	13324-ZG4-003	BEARING D, MAIN (GREEN)	002
004	13325-ZG4-003	BEARING E, MAIN (YELLOW)	002
004	13326-ZG4-003	BEARING F, MAIN (PINK)	002
004	13327-ZG4-003	BEARING G, MAIN (RED)	002
004	13332-ZG4-000	BEARING A, MAIN (UNDER SIZE 0.25) (BLACK)	(2)
004	13333-ZG4-000	BEARING B, MAIN (UNDER SIZE 0.25) (BROWN)	(2)
004	13334-ZG4-000	BEARING C, MAIN (UNDER SIZE 0.25) (GREEN)	(2)
004	13336-ZG4-000	BEARING A, MAIN (UNDER SIZE 0.50) (BLACK)	(2)
004	13337-ZG4-000	BEARING B, MAIN (UNDER SIZE 0.50) (BROWN)	(2)
004	13338-ZG4-000	BEARING C, MAIN (UNDER SIZE 0.50) (GREEN)	(2)
004	13342-ZG4-000	BEARING A, MAIN (UNDER SIZE 0.75) (BLACK)	(2)
004	13343-ZG4-000	BEARING B, MAIN (UNDER SIZE 0.75) (BROWN)	(2)
004	13344-ZG4-000	BEARING C, MAIN (UNDER SIZE 0.75) (GREEN)	(2)
005	15220-413-020	VALVE ASSY., RELIEF	(SOURCE: VINTAGE PARTS INC.) 001
006	15231-413-020	VALVE, RELIEF	001
007	15233-413-000	SEAT, RELIEF VALVE	(NOT AVAILABLE) 001
008	15620-ZG3-000	CAP, OIL FILLER	001
009	15625-ZE8-000	GASKET, OIL FILLER CAP	001
011	15631-ZG3-000	EXTENSION, OIL FILLER	001
012	15634-ZG3-000	PLATE, EXTENSION	001
013	15635-ZG3-800	GASKET, EXTENSION OIL FILLER (NON-ASBESTOS)	002
018	90005-ZG3-003	BOLT-WASHER (11X115)	004
019	90020-ZG3-003	BOLT, STUD (10X103.5)	004
020	90715-PC6-000	PIN, DOWEL (13X20)	003
023	91003-ZG4-000	SET-RING (80)	001
025	91201-ZE9-003	OIL SEAL (8X14X5)	001
026	91201-ZG4-003	OIL SEAL (37X64X10)	001
027	91202-ZG4-003	OIL SEAL (31X80X10)	001

Ref.	Part Number	Part Description	Qty.
028	91204-ZG3-003	PLUG, SEALING (47MM)	002
029	91305-PE2-003	O-RING (9.8X1.9)	001
032	92800-14000	BOLT, DRAIN PLUG (14MM)	001
034	94109-14000	WASHER, DRAIN PLUG (14MM)	001
035	94301-10160	PIN, DOWEL (10X16)	001
036	94520-12000	CIRCLIP (INNER) (12MM)	001
039	95701-06016-00	BOLT, FLANGE (6X16)	002
040	95701-06022-00	BOLT, FLANGE (6X22)	002
042	95701-08040-00	BOLT, FLANGE (8X40)	006
043	95701-08050-00	BOLT, FLANGE (8X50)	001



ZG40-E0200A

Ref.	Part Number	Part Description	Qty.
001	12200-ZG4-010	CYLINDER HEAD	001
002	12216-ZE2-300	CLIP, VALVE GUIDE	002
003	12218-ZG3-003	GUIDE, VALVE (OVER SIZE)	(2)
004	12251-ZG4-003	GASKET, CYLINDER HEAD (1.1) (A)	001
004	12252-ZG4-003	GASKET, CYLINDER HEAD (1.2) (B)	001
004	12253-ZG4-003	GASKET, CYLINDER HEAD (1.3) (C)	001
005	90404-ZG3-000	WASHER (10MM)	004
006	92900-06032-3B	BOLT, STUD (6X32)	002
007	92900-08028-0B	BOLT, STUD (8X28)	002
008	94050-10000	NUT, FLANGE (10MM)	004
009	94301-12200	PIN, DOWEL (12X20)	002
010	95701-06028-00	BOLT, FLANGE (6X28)	002