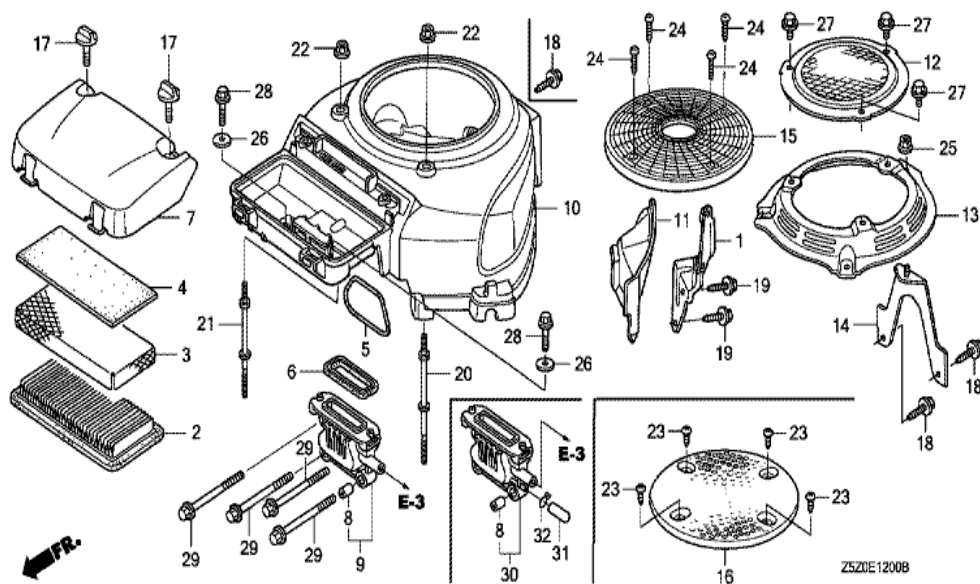


GCV520U(WEE1)

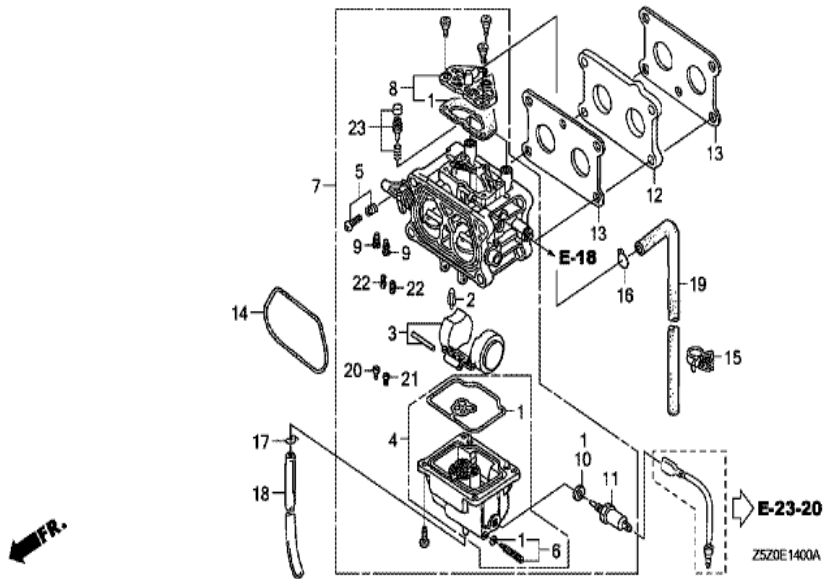
E-12 FAN COVER



Ref	Partnumber	Description	GCV520U	Serial Numbers
001	16711-ZOA-000	STAY, FUEL PUMP	1	
002	17211-ZOA-013	ELEMENT, AIR CLEANER	1	
003	17212-ZOA-000	GRID, AIR CLEANER	1	
004	17218-ZOA-810	FILTER, OUTER	1	
005	17228-ZOA-003	PACKING, AIR CLEANER	1	
006	17229-ZOA-000	SEAL, AIR CLEANER CASE	1	
007	17231-ZOA-000	COVER, AIR CLEANER	1	
008	17238-ZJ4-830	COLLAR A, AIR CLEANER	4	
009	17410-ZOA-010	ELBOW COMP., AIR CLEANER	1	
009	17410-ZOA-010	ELBOW COMP., AIR CLEANER	1	1007448
010	19611-ZOA-010ZA	COVER, FAN *NH1 *	1	
011	19612-ZOA-000	PLATE, SIDE	1	
016	28452-ZOA-810	GRID, SCREEN (STIGA)	1	
Ref	Partnumber	Description	GCV520U	Serial Numbers
017	90004-ZOA-000	BOLT, AIR CLEANER, 6MM	2	
018	90013-ZL8-000	BOLT, FLANGE, 6X14 (CT200)	2	
019	90014-952-000	BOLT, FLANGE, 6X14 (CT200)	1	
019	90014-952-000	BOLT, FLANGE, 6X14 (CT200)	2	
020	90044-ZOA-000	BOLT, L. STUD (IGNITION COIL)	1	
021	90045-ZOA-000	BOLT, R. STUD (IGNITION COIL)	1	
022	90201-ZM0-000	NUT, FLANGE, 6MM	2	
023	93913-24410	SCREW, TAPPING, 4X16 (PO)	4	
026	94103-06800	WASHER, PLAIN, 6MM	2	
028	95701-0601200	BOLT, FLANGE, 6X12	2	
029	95801-0610000	BOLT, FLANGE, 6X100	4	
030	17410-Z6A-000	ELBOW COMP., AIR CLEANER	1	
030	17410-Z6A-000	ELBOW COMP., AIR CLEANER	1	1007449
031	90634-ZL8-H00	CAP, SEALING	1	
031	90634-ZL8-H00	CAP, SEALING	1	1007449
032	95002-02100	CLIP, TUBE (B10)	1	
032	95002-02100	CLIP, TUBE (B10)	1	1007449

GCV520U(WEE1)

E-14 CARBURETOR

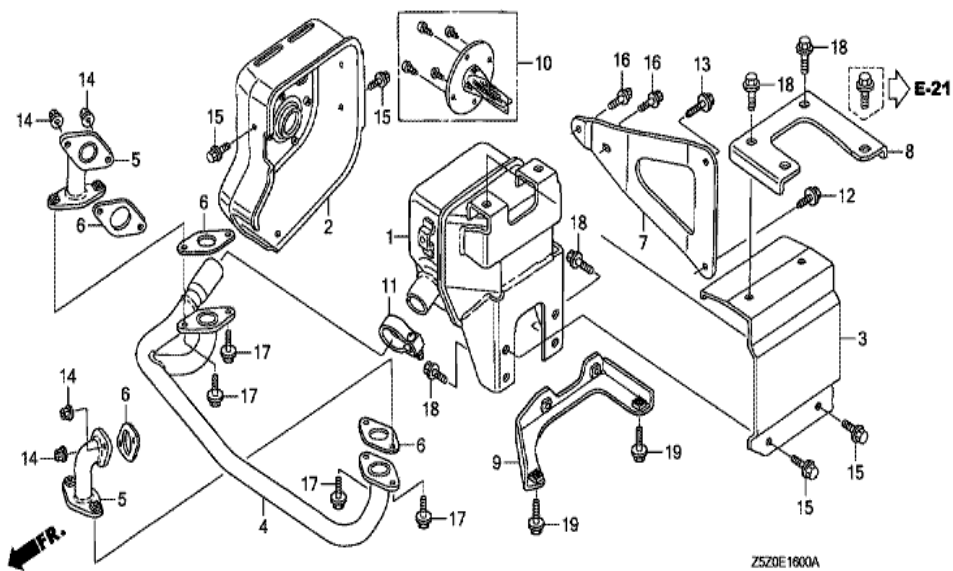


Ref	Partnumber	Description	GCV520U	Serial Numbers
001	16010-Z0A-802	GASKET SET	1	
002	16011-Z0A-004	VALVE, FLOAT	1	
003	16013-Z0A-004	FLOAT SET	1	
004	16015-Z0A-802	CHAMBER SET, FLOAT	1	
005	16016-Z0A-004	SCREW SET	1	
006	16024-Z0A-004	SCREW SET, DRAIN	1	
007	16100-Z0N-815	CARBURETOR ASSY. (BW04B C)	1	
007	16100-Z0N-815	CARBURETOR ASSY. (BW04B C)	1	
008	16139-Z0A-004	COVER SET, AIR VENT	1	
009	16168-Z0A-004	CAP	2	
010	16178-Z0A-802	GASKET	1	
011	16200-Z0A-802	VALVE ASSY., SOLENOID	1	
012	16211-Z0A-000	INSULATOR, CARBURETOR	1	

<u>Ref</u>	<u>Partnumber</u>	<u>Description</u>	<u>GCV520U</u>	<u>Serial Numbers</u>
013	16212-Z0A-000	PACKING, INSULATOR	2	
014	17228-Z0A-003	PACKING, AIR CLEANER	1	
015	90659-680-013	CLIP, WIRE HARNESS	1	
016	95002-02080	CLIP, TUBE (B8)	1	
017	95002-02650	CLIP, TUBE (B6.5)	1	
018	95003-0703031	TUBE, VINYL, 4X7X300 (95003-07001-60M)	1	
019	95005-4540020	TUBE, 4.5X400 (95005-45001-20M)	1	
020	99131-Z0A0710	JET, MAIN, #71.3	(1)	
020	99131-Z0A0730	JET, MAIN, #73.8	(1)	
020	99131-Z0A0730	JET, MAIN, #73.8	(1)	
020	99131-Z0A0760	JET, MAIN, #76.3	1	
020	99131-Z0A0760	JET, MAIN, #76.3	1	
021	99131-Z0A0730	JET, MAIN, #73.8	(1)	
021	99131-Z0A0760	JET, MAIN, #76.3	(1)	
021	99131-Z0A0760	JET, MAIN, #76.3	(1)	
021	99131-Z0A0780	JET, MAIN, #78.8	1	
021	99131-Z0A0780	JET, MAIN, #78.8	1	
022	99134-Z0A0350	JET, PILOT, #35	2	
023	16028-Z0N-004	SCREW SET, PILOT	2	
023	16028-Z0N-004	SCREW SET, PILOT	2	

GCV520U(WEE1)

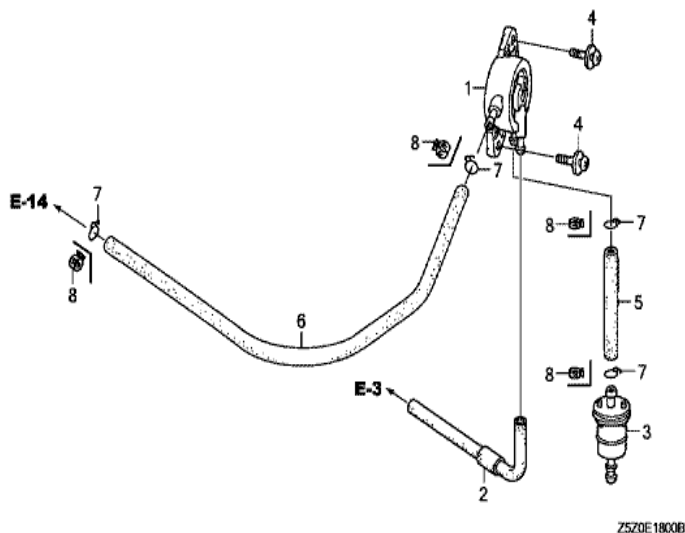
E-16 MUFFLER



Ref	Partnumber	Description	GCV520U	Serial Numbers
006	18333-Z0A-000	GASKET, EX. PIPE	2	
014	94050-06000	NUT, FLANGE, 6MM	4	

GCV520U(WEE1)

E-18 FUEL PUMP

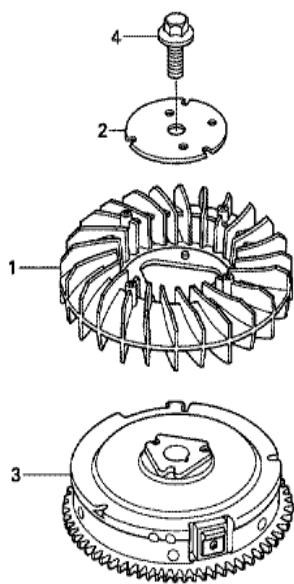


Z520E1800B

Ref	Partnumber	Description	GCV520U	Serial Numbers
001	16700-ZL8-013	PUMP ASSY., FUEL	1	
002	16882-Z0A-000	TUBE, DIAPHRAGM	1	
003	16910-ZV4-015	STRAINER COMP., FUEL	1	
004	93894-0501600	SCREW-WASHER, 5X16	2	
005	91425-Z5Y-801	TUBE, FUEL, 5.3X100 (FKM)	1	1000956 1008329
005	91425-Z5Y-802	TUBE, FUEL, 5.3X100 (FKM)	1	1008330
005	91425-Z5Y-802	TUBE, FUEL, 5.3X100 (FKM)	1	1008330
005	95001-5510040	TUBE, FUEL, 5.3X100 (95001-55001-60M)	1	1001545
005	95001-5510040	TUBE, FUEL, 5.3X100 (95001-55001-60M)	1	1000955
006	91425-Z5Y-811	TUBE, FUEL, 5.3X350 (FKM)	1	1000956 1009468
006	91425-Z5Y-812	TUBE, FUEL, 5.3X350 (FKM)	1	1009469
006	91425-Z5Y-812	TUBE, FUEL, 5.3X350 (FKM)	1	1009469
006	95001-5535040	TUBE, FUEL, 5.3X350 (95001-55001-60M)	1	1001545
<u>Ref</u>	<u>Partnumber</u>	<u>Description</u>	<u>GCV520U</u>	<u>Serial Numbers</u>
006	95001-5535040	TUBE, FUEL, 5.3X350 (95001-55001-60M)	1	1000955
007	95002-02100	CLIP, TUBE (B10)	2	1000955
007	95002-02100	CLIP, TUBE (B10)	4	1000955
008	95002-4100008	CLAMP, TUBE (D10)	2	
008	95002-4100008	CLAMP, TUBE (D10)	4	1000956

GCV520U(WEE1)

E-19 FLYWHEEL

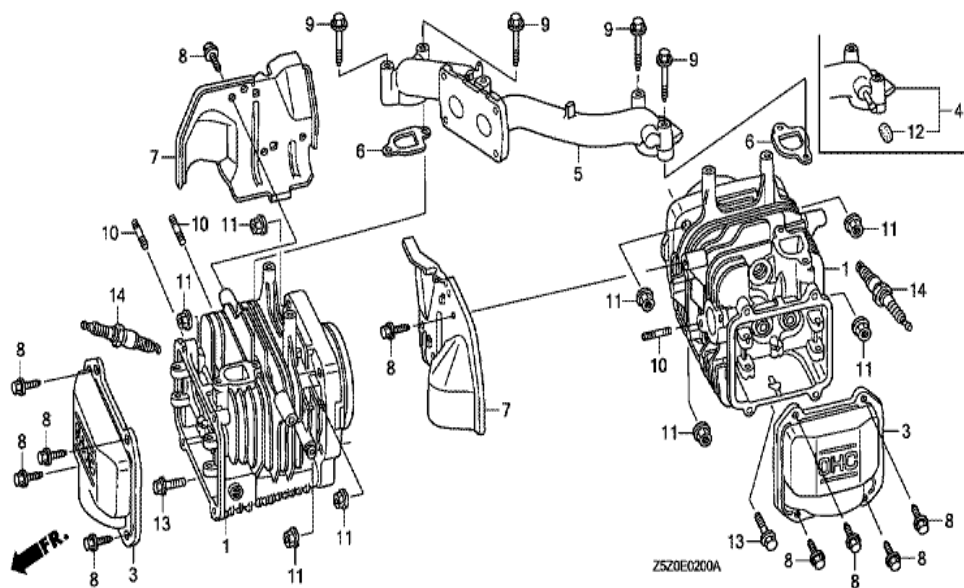


Z5Z0-E1900

Ref	Partnumber	Description	GCV520U	Serial Numbers
001	19511-Z0A-000	FAN, COOLING	1	
002	19513-Z0A-000	PLATE, COOLING FAN SETTING	1	
003	31110-Z0A-800	FLYWHEEL COMP. (6P)	1	
003	31110-Z0A-800	FLYWHEEL COMP. (6P)	1	
004	90011-Z0A-000	BOLT, FLANGE, 16X35	1	

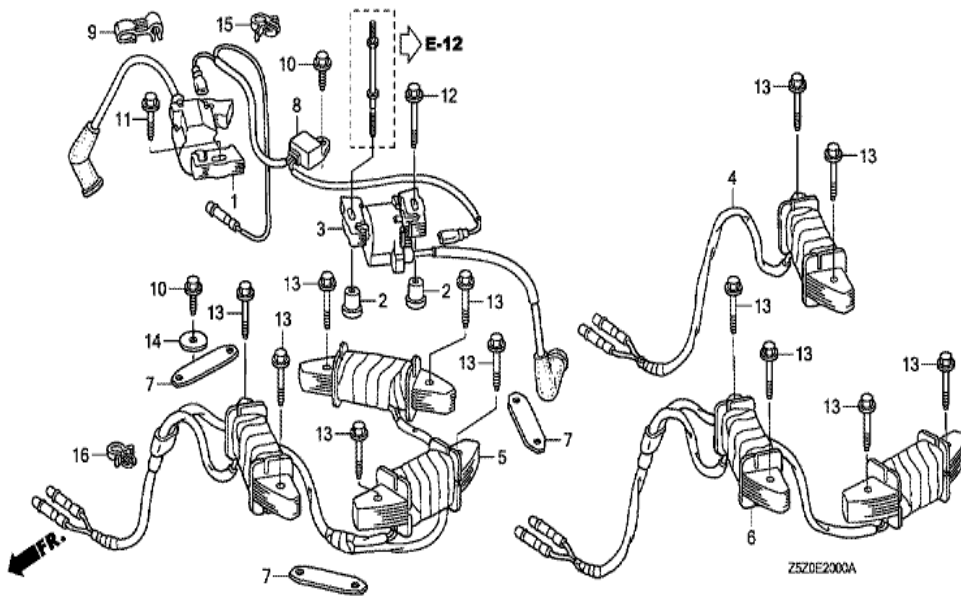
GCV520U(WEE1)

E-2 CYLINDER



Ref	Partnumber	Description	GCV520U	Serial Numbers
001	12100-Z0A-405	CYLINDER COMP.	2	
002	12209-422-005	SEAL, VALVE STEM	2	
003	12311-Z0A-000	COVER, HEAD	2	
005	17101-Z0A-000	MANIFOLD, INTAKE	1	
006	17151-Z0A-000	PACKING, INTAKE MANIFOLD	2	
007	19631-Z0A-000	SHROUD	2	
008	90013-883-000	BOLT, FLANGE, 6X12 (CT200)	10	
009	90016-ZE8-000	BOLT, FLANGE, 6X45 (CT200)	4	
010	90045-892-000	BOLT, STUD, 6X28 (CT200)	4	
011	90201-Z0A-000	NUT, FLANGE, 8MM	8	
013	95701-0603000	BOLT, FLANGE, 6X30	2	
014	98079-54846	PLUG, SPARK (BPR4ES) (NGK)	(2)	
014	98079-54855	PLUG, SPARK (W14EPR-U) (DENSO)	(2)	
<u>Ref</u>	<u>Partnumber</u>	<u>Description</u>	<u>GCV520U</u>	<u>Serial Numbers</u>
014	98079-54855	PLUG, SPARK (W14EPR-U) (DENSO)	(2)	
014	98079-55846	PLUG, SPARK (BPR5ES) (NGK)	2	
014	98079-55846	PLUG, SPARK (BPR5ES) (NGK)	2	
014	98079-55855	PLUG, SPARK (W16EPR-U) (DENSO)	2	
014	98079-55855	PLUG, SPARK (W16EPR-U) (DENSO)	2	

GCV520U(WEE1)	E-20 IGNITION COIL
---------------	--------------------

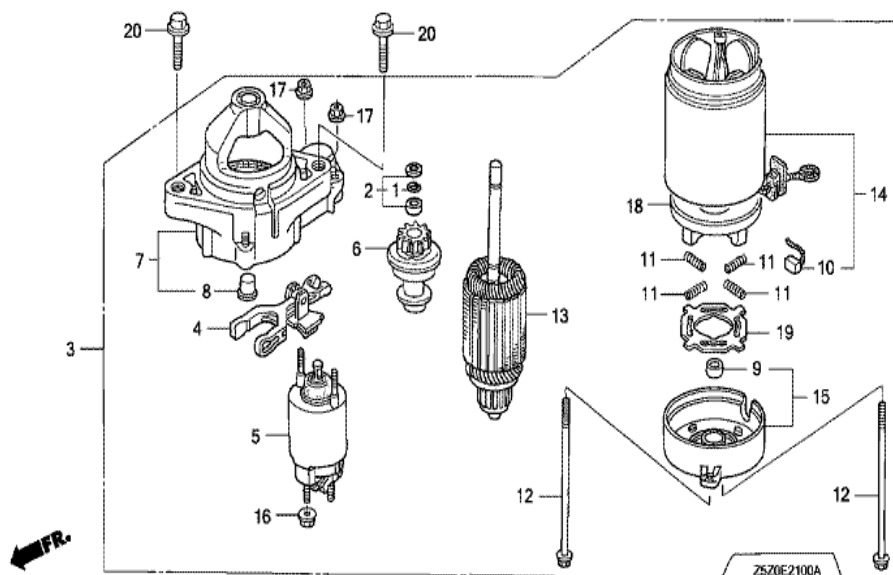


Ref	Partnumber	Description	GCV520U	Serial Numbers
001	30500-ZOA-033	COIL ASSY., IGNITION (#1)	1	
002	30509-ZOA-000	COLLAR, IGNITION COIL	2	
003	30550-ZOA-033	COIL ASSY., IGNITION (#2)	1	
005	31630-ZOA-801	COIL ASSY., CHARGE (12V/18A)	1	
008	31740-ZOA-003	DIODE ASSY., ENGINE STOP	1	
009	32768-PJ7-000	CLAMP, CENTER CORD	1	
010	90013-883-000	BOLT, FLANGE, 6X12 (CT200)	2	
011	90015-883-000	BOLT, FLANGE, 6X28 (CT200)	1	
012	90016-ZE8-000	BOLT, FLANGE, 6X45 (CT200)	1	
013	90031-ZE1-000	BOLT, FLANGE, 6X32	2	
013	90031-ZE1-000	BOLT, FLANGE, 6X32	6	
014	90136-428-870	WASHER, TANK SETTING	1	
015	90654-SA4-003	CLIP, WIRE HARNESS, 6MM (WHITE)	1	
Ref	Partnumber	Description	GCV520U	Serial Numbers
016	90659-PG6-000	CLIP, WIRE HARNESS	1	



GCV520U(WEE1)

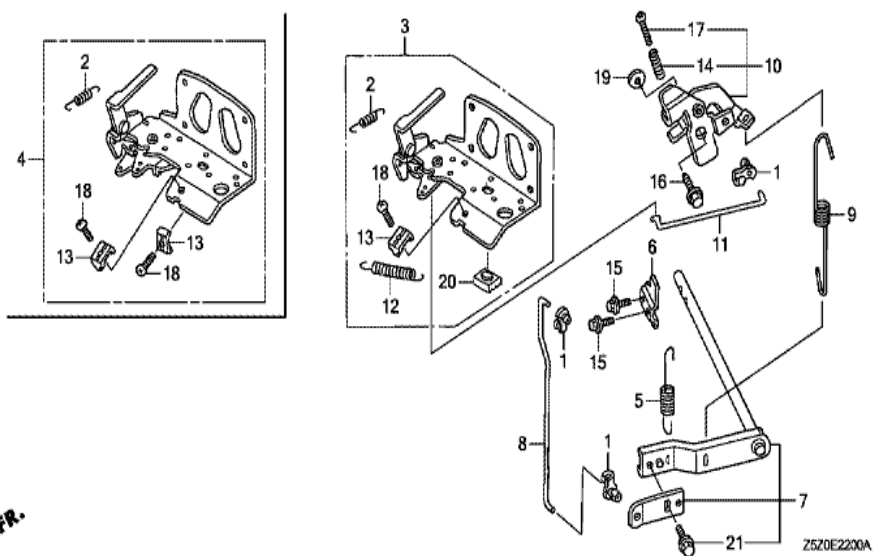
E-21 STARTER MOTOR



Ref	Partnumber	Description	GCV520U	Serial Numbers
001	30201-PH9-004	RING, SNAP (DENSO)	1	
002	30202-PZ1-003	COLLAR SET, CLUTCH STOP	1	
003	31200-Z0A-003	MOTOR ASSY., STARTER	1	
004	31203-PH9-004	LEVER, PINION DRIVE	1	
005	31204-ZG4-801	SWITCH ASSY., MAGNET	1	1010779
005	31204-ZG4-801	SWITCH ASSY., MAGNET	1	
006	31207-Z0A-003	CLUTCH COMP., OVERRUNNING	1	
007	31208-Z0A-003	HOUSING COMP., DRIVE SIDE	1	
008	31209-PH9-004	BEARING A	1	
009	31210-PH9-004	BEARING B	1	
010	31211-PH9-004	BRUSH	4	
011	31212-PH9-004	SPRING, BRUSH	4	
012	31214-PH9-004	BOLT, THROUGH	2	
Ref	Partnumber	Description	GCV520U	Serial Numbers
013	31217-Z0A-003	ARMATURE COMP.	1	
014	31218-P64-N01	YOKE COMP.	1	
015	31219-Z0A-003	FRAME COMP., COMMUTATOR END	1	
016	31220-PH9-004	NUT, HEX., 8MM	1	
017	31223-PA0-006	NUT, HEX.	2	
018	31231-PH9-004	HOLDER, BRUSH	1	
019	31233-PH9-004	INSULATOR, BRUSH HOLDER	1	
020	95701-1004000	BOLT, FLANGE, 10X40	2	

GCV520U(WEE1)

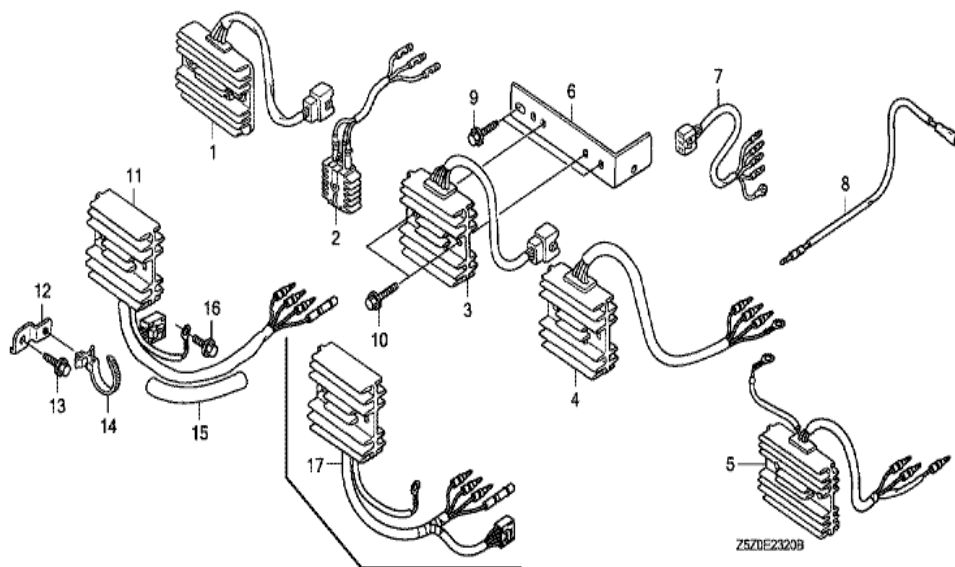
E-22 CONTROL



<u>Ref</u>	<u>Partnumber</u>	<u>Description</u>	<u>GCV520U</u>	<u>Serial Numbers</u>
001	16263-ZJ7-871	ROD, JOINT	3	
002	16268-Z0A-300	SPRING, CHOKE RETURN	1	
003	16500-Z0A-000	CONTROL ASSY. (1-LEVER)	1	
005	16534-Z0A-000	SPRING, STARTER	1	
006	16542-Z0A-000	FORK, GOVERNOR	1	
007	16550-Z0A-000	ARM COMP., GOVERNOR	1	
008	16555-Z0A-000	ROD, GOVERNOR	1	
009	16561-Z0A-000	SPRING, GOVERNOR	1	
010	16565-Z0A-000	LINK COMP., GOVERNOR	1	
011	16566-Z0A-000	ROD, GOVERNOR LINK	1	
012	16574-Z0A-300	SPRING, LEVER	1	
013	16576-891-000	HOLDER, CABLE	1	
014	16584-883-300	SPRING, CONTROL ADJUSTING	1	
<u>Ref</u>	<u>Partnumber</u>	<u>Description</u>	<u>GCV520U</u>	<u>Serial Numbers</u>
015	90002-892-000	BOLT, FLANGE, 5X10	2	
016	90015-Z0A-000	BOLT, FLANGE, 6MM (CT200)	1	
017	90016-ZG9-N30	SCREW, RECESSED, 5X25	1	
018	93500-050160A	SCREW, PAN, 5X16	1	
019	94101-06000	WASHER, PLAIN, 6MM	1	
020	95011-61000	RUBBER A, STAND STOPPER	1	
021	95701-0601000	BOLT, FLANGE, 6X10	1	

GCV520U(WEE1)

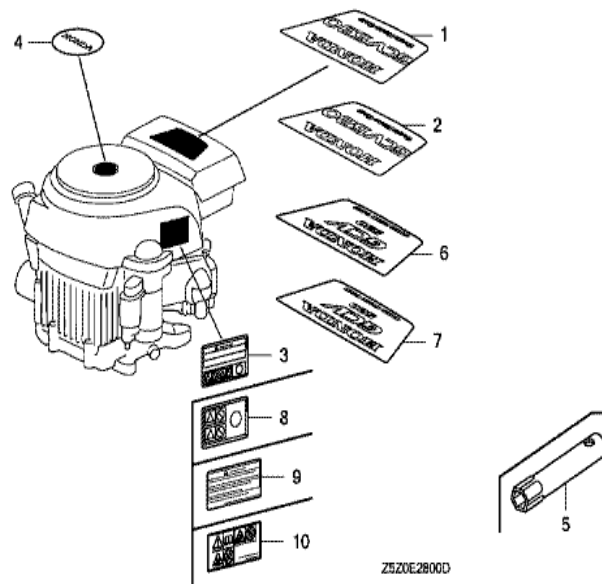
E-23-20 REGULATOR RECTIFIER



Ref	Partnumber	Description	GCV520U	Serial Numbers
001	31620-ZG5-013	RECTIFIER ASSY., REGULATOR (20A)	1	1004891
001	31620-ZG5-023	RECTIFIER ASSY., REGULATOR (20A)	1	1004892 1005815
001	31620-ZG5-033	RECTIFIER ASSY., REGULATOR (20A)	1	
001	31620-ZG5-033	RECTIFIER ASSY., REGULATOR (20A)	1	1005816
007	32105-ZJ1-800	HARNESS ASSY., SUB WIRE	1	
008	32105-Z0A-000	HARNESS ASSY., SUB WIRE	1	

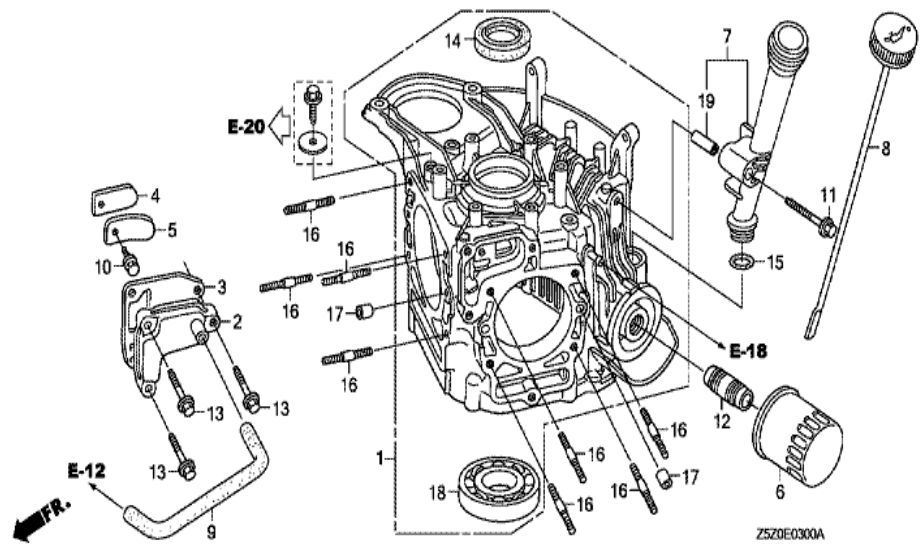
GCV520U(WEE1)

E-28 LABEL/TOOL



Ref	Partnumber	Description	GCV520U	Serial Numbers
003	87516-ZH7-000	MARK, OPERATOR CAUTION (ENGLISH) (MADE I	1	
003	87516-ZH7-800	MARK, OPERATOR CAUTION (FRENCH) (MADE IN	1	1017795
003	87516-ZH7-800	MARK, OPERATOR CAUTION (FRENCH) (MADE IN	1	
003	87516-ZH7-810	MARK, OPERATOR CAUTION (PICTOGRAPH) (MAD	(1)	
008	87516-ZH7-810	MARK, OPERATOR CAUTION (PICTOGRAPH) (MAD	(1)	

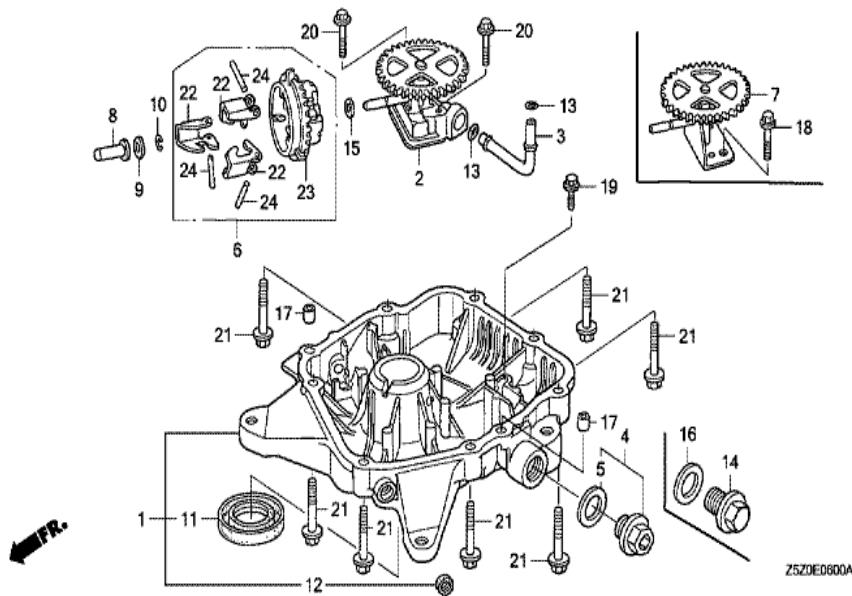
GCV520U(WEE1)	E-3 CRANKCASE
---------------	---------------



Ref	Partnumber	Description	GCV520U	Serial Numbers
001	11100-Z0A-408	CRANKCASE ASSY.	1	
001	11100-Z0A-408	CRANKCASE ASSY.	1	
002	12356-Z0A-000	COVER, BREATHER	1	
003	12358-Z0A-000	PACKING, BREATHER COVER	1	
004	12372-ZA0-701	PLATE, VALVE	1	
005	12374-Z0A-000	STOPPER, VALVE	1	
007	15631-Z0A-000	EXTENSION, OIL FILLER	1	
008	15655-Z0A-000	GAUGE COMP., OIL LEVEL	1	
009	15721-Z0A-000	TUBE, BREATHER	1	
010	90002-892-000	BOLT, FLANGE, 5X10	1	
011	90016-ZE8-000	BOLT, FLANGE, 6X45 (CT200)	1	
013	90121-952-000	BOLT, FLANGE, 6X25 (CT200)	3	
014	91201-ZE3-004	OIL SEAL, 35X52X8	1	
Ref	Partnumber	Description	GCV520U	Serial Numbers
015	91301-ZE9-003	O-RING, 22.1X2.2	1	
016	92900-080280E	BOLT, STUD, 8X28	8	
017	94301-08140	DOWEL PIN, 8X14	4	
018	96100-6207000	BEARING, RADIAL BALL, 6207	1	
019	15633-Z0A-300	COLLAR, EXTENSION	1	

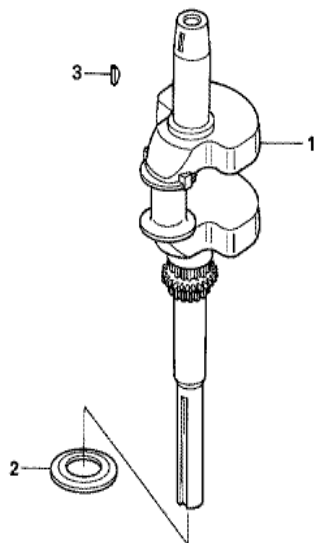
GCV520U(WEE1)

E-6 OIL PAN



<u>Ref</u>	<u>Partnumber</u>	<u>Description</u>	<u>GCV520U</u>	<u>Serial Numbers</u>
001	11300-Z0A-811	PAN ASSY., OIL	1	
001	11300-Z0A-811	PAN ASSY., OIL	1	
004	15550-Z0A-810	CAP ASSY., DRAIN	1	
005	15625-ZE1-003	PACKING, OIL FILLER CAP	1	
006	16510-Z0A-000	GOVERNOR ASSY.	1	
007	16520-Z0A-000	SHAFT COMP., GOVERNOR	1	
008	16531-Z0A-000	SLIDER, GOVERNOR	1	
009	90473-147-000	WASHER, 6X16	1	
010	90602-ZE1-000	CLIP, GOVERNOR HOLDER	1	
011	91202-Z0A-003	OIL SEAL, 31X50X8	1	
012	91206-333-003	OIL SEAL, 10X16X4.5	1	
015	94101-06800	WASHER, PLAIN, 6MM	1	
017	94301-08140	DOWEL PIN, 8X14	2	
<u>Ref</u>	<u>Partnumber</u>	<u>Description</u>	<u>GCV520U</u>	<u>Serial Numbers</u>
018	95701-0601600	BOLT, FLANGE, 6X16	2	
021	95701-0804000	BOLT, FLANGE, 8X40	7	
022	16511-Z0A-000	WEIGHT, GOVERNOR	3	
023	16512-Z0A-000	HOLDER, GOVERNOR WEIGHT	1	
024	16513-ZE2-000	PIN, GOVERNOR WEIGHT	3	

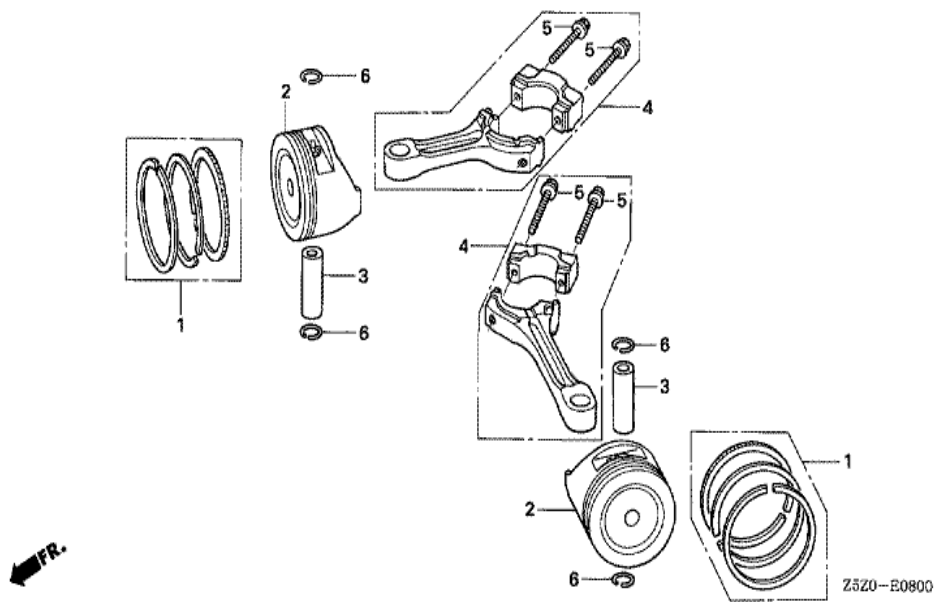
GCV520U(WEE1)	E-7 CRANKSHAFT
---------------	----------------



Z5Z0-E0700

Ref	Partnumber	Description	GCV520U	Serial Numbers
001	13310-Z0A-000	CRANKSHAFT COMP.	1	
002	90401-Z0A-000	WASHER, THRUST	1	
003	90741-ZE2-000	KEY, SPECIAL WOODRUFF, 25X18	1	

GCV520U(WEE1)	E-8 PISTON/CONNECTING ROD
---------------	---------------------------

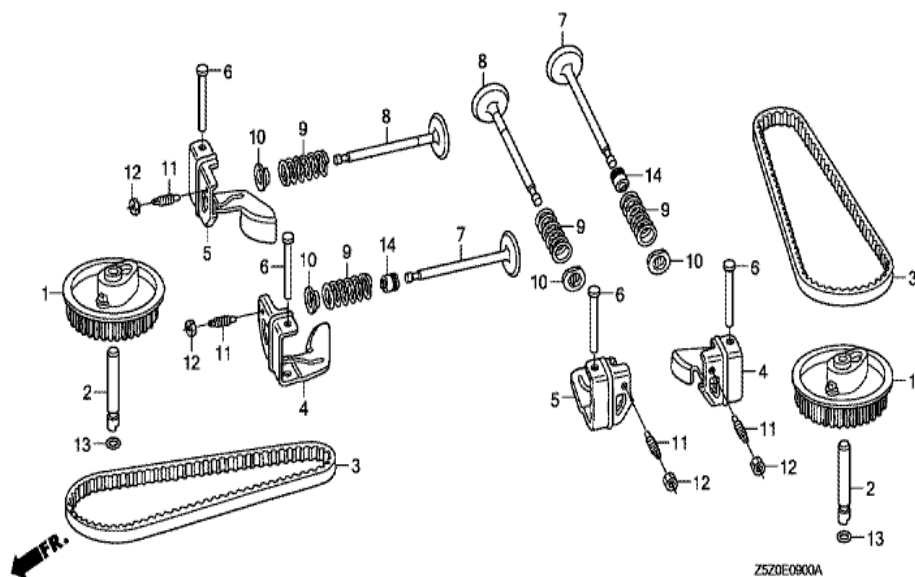


Ref	Partnumber	Description	GCV520U	Serial Numbers
001	13010-Z0A-003	RING SET, PISTON (STD.) (NIPPON)	2	1006688
001	13010-Z0A-014	RING SET, PISTON (STD.) (TEIKOKU)	2	1011693
001	13010-Z0A-014	RING SET, PISTON (STD.) (TEIKOKU)	2	1006688
001	13010-Z5Z-004	RING SET, PISTON (STD.) (TEIKOKU)	2	1011694
001	13010-Z5Z-004	RING SET, PISTON (STD.) (TEIKOKU)	2	1006689
002	13101-Z0A-000	PISTON (STD.)	2	1006688
002	13101-Z0A-010	PISTON (STD.)	2	1011694
002	13101-Z0A-010	PISTON (STD.)	2	1006689
003	13111-ZJ1-840	PIN, PISTON	2	
004	13200-Z0A-003	ROD ASSY., CONNECTING	2	
005	90001-ZN1-000	BOLT, CONNECTING ROD, 6X37	4	
006	90551-ZE1-000	CLIP, PISTON PIN, 18MM	4	



GCV520U(WEE1)

E-9 CAMSHAFT



Z5Z0E0900A

<u>Ref</u>	<u>Partnumber</u>	<u>Description</u>	<u>GCV520U</u>	<u>Serial Numbers</u>
001	14320-Z0A-000	PULLEY COMP., CAMSHAFT	2	
002	14324-ZL8-000	SHAFT, CAM PULLEY	2	
003	14400-Z0A-003	BELT, TIMING (97HU8 G-200)	2	
004	14431-Z0A-000	ARM, IN. VALVE ROCKER	2	
005	14441-Z0A-000	ARM, EX. VALVE ROCKER	2	
006	14461-Z0A-000	SHAFT, ROCKER ARM	4	
007	14711-Z0A-000	VALVE, IN.	2	
008	14721-Z0A-000	VALVE, EX.	2	
009	14751-ZE1-000	SPRING, VALVE	4	
010	14771-ZE1-000	RETAINER, IN. VALVE SPRING	4	
011	90012-333-000	SCREW, TAPPET ADJUSTING	4	
012	90206-001-000	NUT, TAPPET ADJUSTING	4	
013	91301-ZM0-V31	O-RING, 6.8X1.9 (ARAI)	2	
<u>Ref</u>	<u>Partnumber</u>	<u>Description</u>	<u>GCV520U</u>	<u>Serial Numbers</u>
014	12209-422-005	SEAL, VALVE STEM	2	