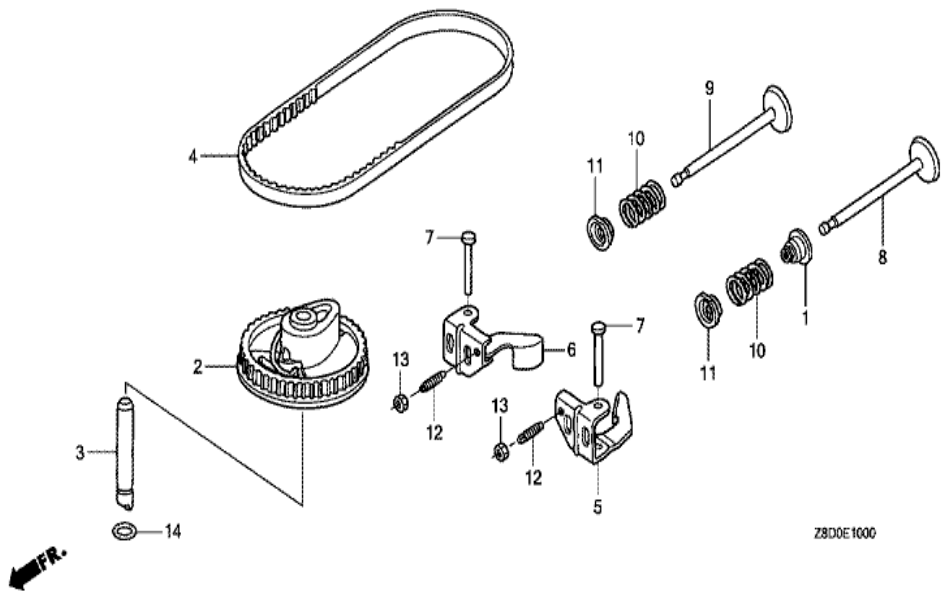


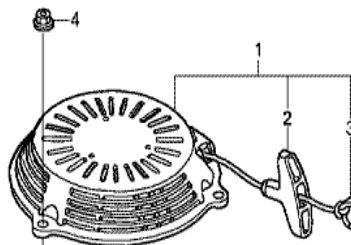
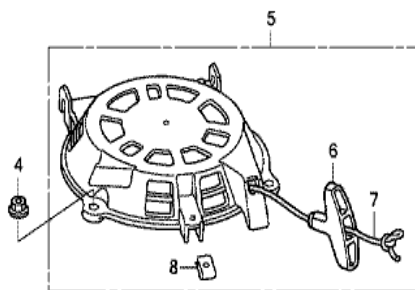
GCV190LA(N5AP)	E-10 CAMSHAFT PULLEY
----------------	----------------------



<u>Ref</u>	<u>Partnumber</u>	<u>Description</u>	<u>GCV190LA</u>	<u>Serial Numbers</u>
001	12209-ZM0-003	SEAL, VALVE STEM	1	
001	12209-ZM0-003	SEAL, VALVE STEM	1	
002	14320-ZOY-000	PULLEY COMP., CAMSHAFT	1	
003	14324-ZL8-000	SHAFT, CAM PULLEY	1	
003	14324-ZL8-000	SHAFT, CAM PULLEY	1	
004	14400-ZOJ-014	BELT, TIMING (84HU7 G-200)	1	
005	14431-ZOJ-000	ARM, IN. VALVE ROCKER	1	
006	14441-ZOJ-000	ARM, EX. VALVE ROCKER	1	
007	14461-ZL8-000	SHAFT, ROCKER ARM	2	
008	14711-ZOJ-000	VALVE, IN. (ROCKNEL)	1	
008	14711-ZOJ-800	VALVE, IN.	1	
008	14711-ZL8-000	VALVE, IN. (TECHNOSTAR)	1	
008	14711-ZL8-000	VALVE, IN. (TECHNOSTAR)	1	
<u>Ref</u>	<u>Partnumber</u>	<u>Description</u>	<u>GCV190LA</u>	<u>Serial Numbers</u>
009	14721-ZL8-000	VALVE, EX. (L8E)	1	
009	14721-ZL8-000	VALVE, EX. (L8E)	1	
010	14751-ZL8-000	SPRING, VALVE	2	
011	14771-ZOJ-000	RETAINER, VALVE SPRING	2	
012	90012-333-000	SCREW, TAPPET ADJUSTING	2	
013	90206-001-000	NUT, TAPPET ADJUSTING	2	
014	91301-ZM0-V31	O-RING, 6.8X1.9 (ARAI)	1	

GCV190LA(N5AP)

E-11 RECOIL STARTER

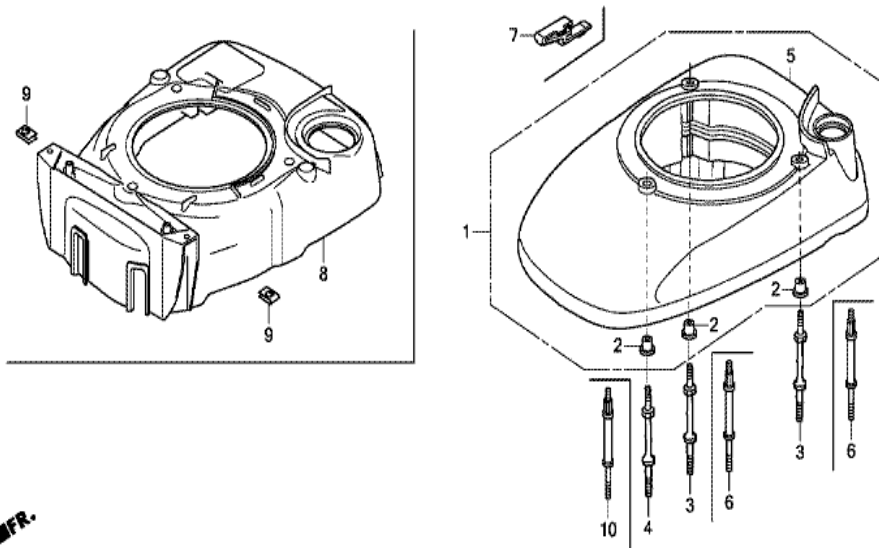


Z8D0E1100B

Ref	Partnumber	Description	GCV190LA	Serial Numbers
001	28400-Z1A-013ZA	STARTER ASSY., RECOIL *NH1 *	1	
001	28400-Z1A-013ZA	STARTER ASSY., RECOIL *NH1 *	1	
001	28400-Z1A-013ZB	STARTER ASSY., RECOIL *R280 *	1	
001	28400-Z1A-013ZB	STARTER ASSY., RECOIL *R280 *	1	
002	28461-ZL8-003	GRIP, STARTER	1	
003	28462-ZL8-003	ROPE, RECOIL STARTER	1	
003	28462-ZL8-003	ROPE, RECOIL STARTER	1	
004	90201-ZM0-000	NUT, FLANGE, 6MM	3	

GCV190LA(N5AP)

E-12 FAN COVER

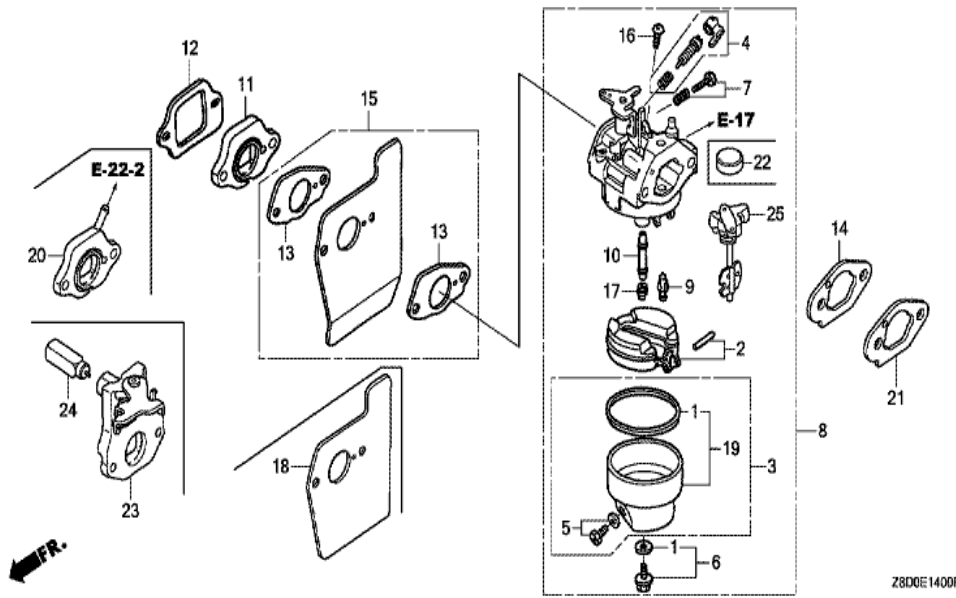


Z8DGE1200E

Ref	Partnumber	Description	GCV190LA	Serial Numbers
001	19610-Z0L-851ZA	COVER COMP., FAN *NH1*	1	6595797
001	19610-Z0L-851ZA	COVER COMP., FAN *NH1*	1	6595797
001	19610-Z0L-851ZE	COVER COMP., FAN *R280*	1	1774627
001	19610-Z0L-851ZE	COVER COMP., FAN *R280*	1	6595797
001	19610-Z0L-851ZE	COVER COMP., FAN *R280*	1	6595797
002	19619-ZL8-300	COLLAR, FAN COVER	3	6595797
003	90043-Z8B-000	BOLT, STUD (FAN COVER)	2	2528755 6595797
003	90043-Z8B-000	BOLT, STUD (FAN COVER)	2	2528755 6595797
003	90043-ZL8-000	BOLT, STUD (H=42.5MM)	2	
003	90043-ZL8-000	BOLT, STUD (H=42.5MM)	2	
003	90043-ZL8-000	BOLT, STUD (H=42.5MM)	2	2528754
003	90043-ZL8-000	BOLT, STUD (H=42.5MM)	2	2528754
004	90043-Z0J-900	BOLT, STUD (H=39.5MM)	1	2528754
Ref	Partnumber	Description	GCV190LA	Serial Numbers
004	90043-Z0J-900	BOLT, STUD (H=39.5MM)	1	1774627 2528754
004	90043-Z8B-900	BOLT, STUD (FAN COVER)	1	2528755 6595797
004	90043-Z8B-900	BOLT, STUD (FAN COVER)	1	2528755 6595797
005	19611-Z0L-850ZA	COVER, FAN *NH1*	1	6595798
005	19611-Z0L-850ZA	COVER, FAN *NH1*	1	6595798
005	19611-Z0L-850ZF	COVER, FAN *R280*	1	6595798
005	19611-Z0L-850ZF	COVER, FAN *R280*	1	6595798
005	19611-Z0L-850ZJ	COVER, FAN *T104*	1	6595798
005	19611-Z0L-850ZJ	COVER, FAN *T104*	1	6595798
006	90043-Z8D-000	BOLT, STUD (FAN COVER)	2	6595798
006	90043-Z8D-000	BOLT, STUD (FAN COVER)	2	6595798
010	90043-Z8D-900	BOLT, STUD (FAN COVER)	1	6595798

GCV190LA(N5AP)

E-14 CARBURETOR



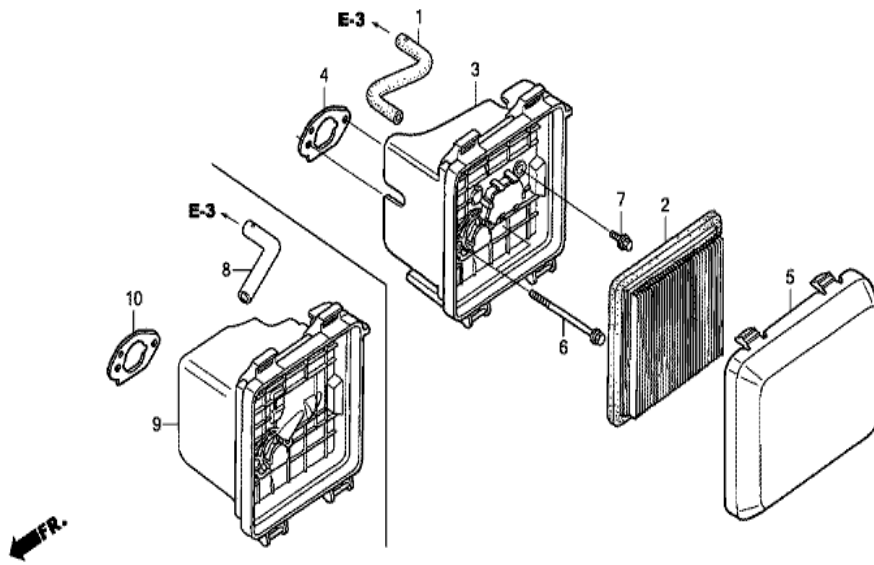
Z8D0E1400F

Ref	Partnumber	Description	GCV190LA	Serial Numbers
001	16010-883-015	PACKING SET	1	
002	16013-ZL1-003	FLOAT SET	1	
006	16028-ZE0-005	SCREW SET	1	
008	16100-ZOY-851	CARBURETOR ASSY. (BB65M A)	1	
008	16100-ZOY-851	CARBURETOR ASSY. (BB65M A)	1	2348724
008	16100-ZOY-851	CARBURETOR ASSY. (BB65M A)	1	2348724
008	16100-ZOY-852	CARBURETOR ASSY. (BB65M A)	1	2348725 2566217
008	16100-ZOY-852	CARBURETOR ASSY. (BB65M A)	1	2348725
008	16100-ZOY-852	CARBURETOR ASSY. (BB65M A)	1	2348725 2566217
008	16100-ZOY-853	CARBURETOR ASSY. (BB65M B)	1	2566218 6400000
008	16100-ZOY-853	CARBURETOR ASSY. (BB65M B)	1	2566218 6400000
008	16100-Z8B-861	CARBURETOR ASSY. (BB71A A)	1	6440501
008	16100-Z8B-861	CARBURETOR ASSY. (BB71A A)	1	6440501

<u>Ref</u>	<u>Partnumber</u>	<u>Description</u>	<u>GCV190LA</u>	<u>Serial Numbers</u>	
008	16100-Z8D-851	CARBURETOR ASSY. (BB72A A)	1	6400001	6440500
008	16100-Z8D-851	CARBURETOR ASSY. (BB72A A)	1	6400001	6440500
009	16155-ZM0-013	VALVE, FLOAT	1		
010	16166-Z0Y-003	NOZZLE, MAIN	1		BB65M B
010	16166-Z0Y-003	NOZZLE, MAIN	1		BB65M B
010	16166-Z8D-851	NOZZLE, MAIN	1	BB72A A	
011	16211-ZL8-000	INSULATOR, CARBURETOR	1		
011	16211-ZL8-000	INSULATOR, CARBURETOR	1		
012	16212-ZL8-000	PACKING, INSULATOR	1		
014	16228-ZL8-000	PACKING, CARBURETOR	1		
014	16228-ZL8-000	PACKING, CARBURETOR	1		
016	93500-050061H	SCREW, PAN, 5X6	1		
016	93500-050061H	SCREW, PAN, 5X6	1		BB65M B
017	99101-1240620	JET, MAIN, #62	(1)	BB71A A	
017	99101-1240620	JET, MAIN, #62	(1)	BB71A A	
017	99101-1240650	JET, MAIN, #65	(1)		
017	99101-1240650	JET, MAIN, #65	(1)		
017	99101-1240650	JET, MAIN, #65	(1)		
017	99101-1240650	JET, MAIN, #65	(1)		
017	99101-1240650	JET, MAIN, #65	(1)		
017	99101-1240680	JET, MAIN, #68	1		
017	99101-1240680	JET, MAIN, #68	(1)		
017	99101-1240680	JET, MAIN, #68	1	BB71A A	
017	99101-1240680	JET, MAIN, #68	(1)		
017	99101-1240680	JET, MAIN, #68	(1)		BB72A A
017	99101-1240680	JET, MAIN, #68	(1)		BB72A A
017	99101-1240700	JET, MAIN, #70	1		
017	99101-1240700	JET, MAIN, #70	1		
017	99101-1240700	JET, MAIN, #70	1		BB72A A
017	99101-1240700	JET, MAIN, #70	1		BB72A A
018	19651-Z0L-000	GUIDE, AIR	1		
019	16015-Z0L-881	CHAMBER SET, FLOAT	1	BB65M A	
019	16015-Z0L-881	CHAMBER SET, FLOAT	1	BB65M A	
021	16221-Z0L-900	SPACER, CARBURETOR	1	2348725	

GCV190LA(N5AP)

E-15 AIR CLEANER

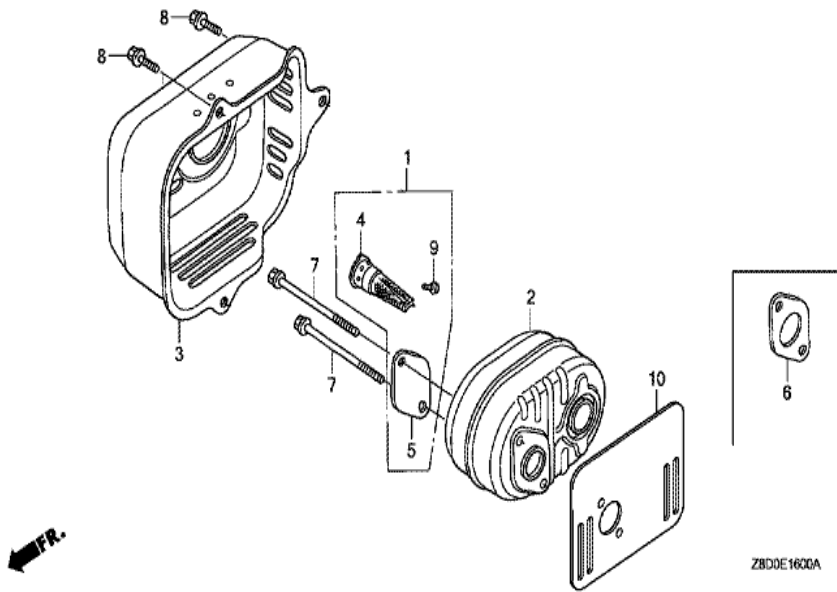


Z800E1500A

Ref	Partnumber	Description	GCV190LA	Serial Numbers
001	15721-ZM0-000	TUBE, BREATHER	1	
002	17211-ZL8-023	ELEMENT, AIR CLEANER (TOYO ROKI)	1	
002	17211-ZL8-023	ELEMENT, AIR CLEANER (TOYO ROKI)	1	
003	17220-ZM0-010	CASE ASSY., AIR CLEANER	1	
003	17220-ZM0-010	CASE ASSY., AIR CLEANER	1	
003	17220-ZM0-010	CASE ASSY., AIR CLEANER	1	
004	17228-ZM0-000	PACKING, AIR CLEANER	1	
004	17228-ZM0-000	PACKING, AIR CLEANER	1	
004	17228-ZM0-000	PACKING, AIR CLEANER	1	
005	17231-ZOL-030	COVER, AIR CLEANER	1	
006	90003-Z8B-900	BOLT, SPECIAL, 6MM	2	
006	90003-ZM0-010	BOLT, FLANGE, 6X85 (CT200)	2	
006	90003-ZM0-010	BOLT, FLANGE, 6X85 (CT200)	2	

GCV190LA(N5AP)

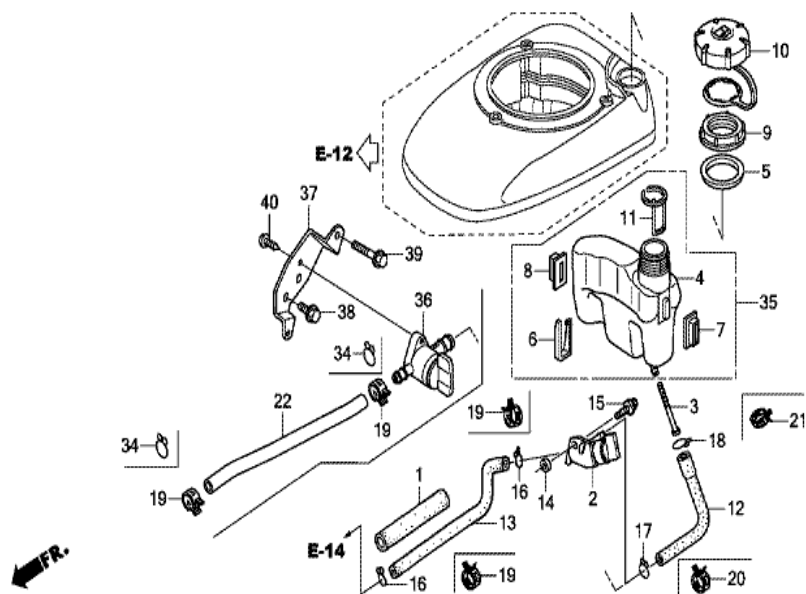
E-16 MUFFLER



Ref	Partnumber	Description	GCV190LA	Serial Numbers
001	06180-Z0J-000	ARRESTER KIT, SPARK	(1)	
002	18310-Z0Y-000	MUFFLER COMP.	1	
003	18321-Z0L-000	PROTECTOR, MUFFLER	1	
003	18321-Z0L-000	PROTECTOR, MUFFLER	1	
004	18350-ZL8-000	ARRESTER COMP., SPARK	(1)	
005	18356-ZL8-000	PLATE, ARRESTER NUMBER	(1)	
006	18381-ZL8-305	GASKET, MUFFLER	(1)	
007	90004-ZL8-000	BOLT, FLANGE, 6X79 (CT200)	2	
008	90013-883-000	BOLT, FLANGE, 6X12 (CT200)	3	
009	90055-ZE1-000	SCREW, TAPPING, 4X6	(1)	
010	18381-Z8D-800	GASKET, MUFFLER	1	

GCV190LA(N5AP)

E-17 FUEL TANK



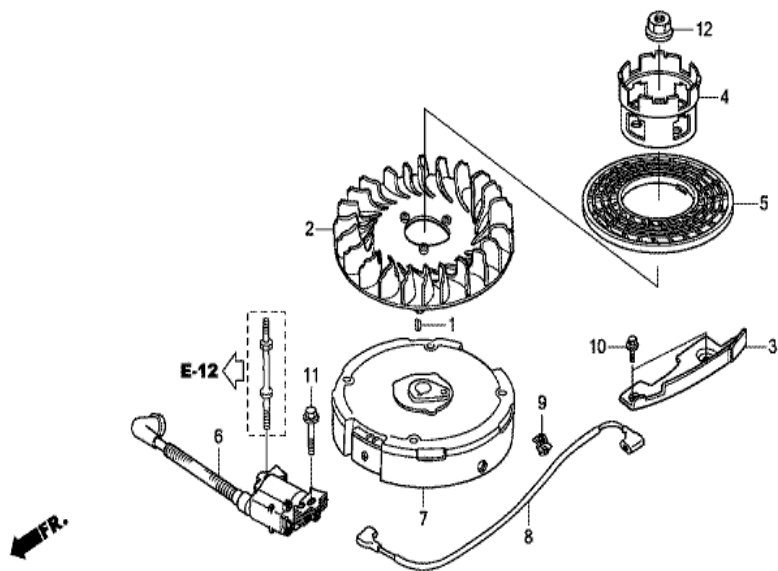
Z8D0E1700D

Ref	Partnumber	Description	GCV190LA	Serial Numbers
001	16854-ZH8-000	RUBBER, SUPPORTER (107MM)	1	2348724
002	16950-ZM0-003	COCK ASSY., FUEL	1	2348724
003	16952-Z8B-000	STRAINER, FUEL	1	2380853
003	16952-ZA8-800	STRAINER, FUEL	1	
003	16952-ZA8-800	STRAINER, FUEL	1	
003	16952-ZA8-800	STRAINER, FUEL	1	2380852
004	17511-Z0L-030	TANK, FUEL	1	
004	17511-Z8B-800	TANK, FUEL	1	6400001
004	17511-Z8B-800	TANK, FUEL	1	6400001
005	17514-Z0L-000	SEAL, FUEL FILLER NECK	1	
006	17516-Z0L-000	CLIP, TANK MOUNTING	1	
007	17532-Z8B-800	RUBBER A, TANK MOUNTING	1	6400001
007	17532-Z8B-800	RUBBER A, TANK MOUNTING	1	6400001



<u>Ref</u>	<u>Partnumber</u>	<u>Description</u>	<u>GCV190LA</u>	<u>Serial Numbers</u>
008	17533-Z8B-800	RUBBER B, TANK MOUNTING	1	6400001
008	17533-Z8B-800	RUBBER B, TANK MOUNTING	1	6400001
009	17534-Z0L-000	NUT, TANK MOUNTING	1	
010	17620-Z0J-800	CAP ASSY., FUEL TANK	1	
011	17636-Z0L-010	GAUGE, FUEL LEVEL	1	2028123
011	17636-Z0L-010	GAUGE, FUEL LEVEL	1	2028123
012	17701-Z8B-811	TUBE, FUEL TANK (FKM)	1	2348724
012	17701-Z8B-811	TUBE, FUEL TANK (FKM)	1	1960789 2348724
012	91427-Z8D-801	TUBE, FUEL, 7.3X145 (FKM)	1	
012	91427-Z8D-801	TUBE, FUEL, 7.3X145 (FKM)	1	2348725 2566217
012	91427-Z8D-801	TUBE, FUEL, 7.3X145 (FKM)	1	2348725 2566217
012	91427-Z8D-901	TUBE, FUEL, 7.3X145	1	2566218
012	91427-Z8D-901	TUBE, FUEL, 7.3X145	1	2566218
013	17702-Z8B-801	TUBE, FUEL (FKM)	1	2348724
013	17702-Z8B-801	TUBE, FUEL (FKM)	1	1960789 2348724
014	91501-Z0L-800	COLLAR, FUEL COCK	1	
014	91501-Z0L-800	COLLAR, FUEL COCK	1	2348724
015	93891-0501008	SCREW-WASHER, 5X10	1	2348724
017	95002-02130	CLIP, TUBE (B12.5)	1	2566218
018	95002-02130	CLIP, TUBE (B12.5)	1	2566218
018	95002-02130	CLIP, TUBE (B12.5)	1	2566218
019	95002-4080008	CLAMP, TUBE (D8)	2	2566217
019	95002-4080008	CLAMP, TUBE (D8)	2	1960789
020	95002-4100008	CLAMP, TUBE (D10)	1	2566217
020	95002-4100008	CLAMP, TUBE (D10)	1	1960789 2566217
021	95002-4120008	CLAMP, TUBE (D12)	1	2566217
021	95002-4120008	CLAMP, TUBE (D12)	1	1960789
022	91424-Z8D-801	TUBE, FUEL, 4.5X140 (FKM)	1	
022	91424-Z8D-801	TUBE, FUEL, 4.5X140 (FKM)	1	2348725 2566217
022	91424-Z8D-801	TUBE, FUEL, 4.5X140 (FKM)	1	2348725 2566217
022	91424-Z8D-901	TUBE, FUEL, 4.5X140	1	2566218
022	91424-Z8D-901	TUBE, FUEL, 4.5X140	1	2566218
034	95002-50000	CLIP, TUBE (C9)	2	2566218
<u>Ref</u>	<u>Partnumber</u>	<u>Description</u>	<u>GCV190LA</u>	<u>Serial Numbers</u>
035	06175-Z8B-800	TANK KIT, FUEL	1	6400000

GCV190LA(N5AP)	E-19-1 FLYWHEEL (2)
----------------	---------------------

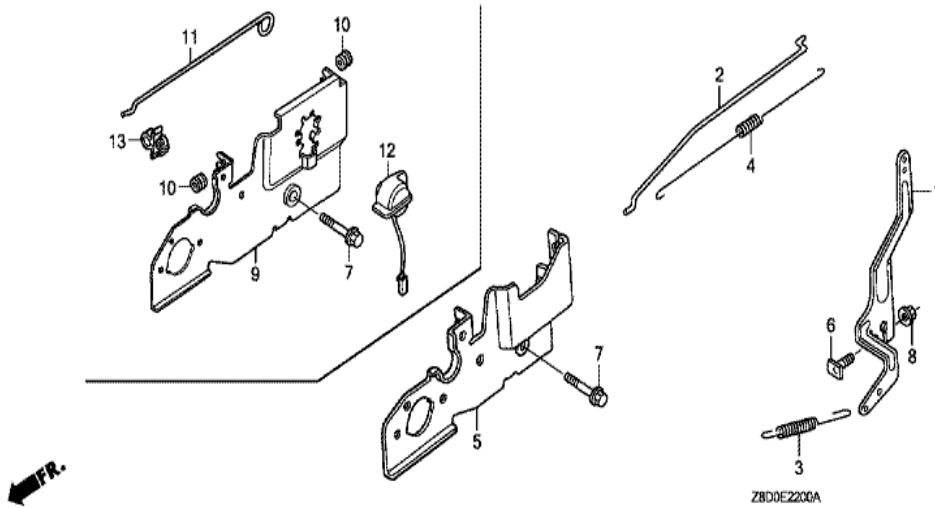


Z8D0E1901B

<u>Ref</u>	<u>Partnumber</u>	<u>Description</u>	<u>GCV190LA</u>	<u>Serial Numbers</u>
001	13331-357-000	KEY, SPECIAL WOODRUFF, 25X18	1	6651240
001	13331-Z8B-900	KEY, SPECIAL WOODRUFF, 25X18	1	6651241
002	19511-Z0J-900	FAN, COOLING	1	
003	19612-Z0L-000	PLATE, SIDE	1	
004	28451-Z0J-900	PULLEY, STARTER	1	
006	30500-Z0J-004	COIL ASSY., IGNITION (TOYO)	1	6945313
006	30500-Z8B-911	COIL ASSY., IGNITION (PHELON)	1	6945314
007	31110-Z8D-004	FLYWHEEL COMP.	1	
007	31110-Z8D-004	FLYWHEEL COMP.	1	
007	31110-Z8D-004	FLYWHEEL COMP.	1	
007	31110-Z8D-004	FLYWHEEL COMP.	1	7072916
007	31110-Z8D-014	FLYWHEEL COMP.	1	7072917
010	90013-883-000	BOLT, FLANGE, 6X12 (CT200)	2	
<u>Ref</u>	<u>Partnumber</u>	<u>Description</u>	<u>GCV190LA</u>	<u>Serial Numbers</u>
011	90018-ZE1-000	BOLT, FLANGE, 6X23 (CT200)	1	
012	90201-Z0T-800	NUT, SPECIAL, 14MM	1	

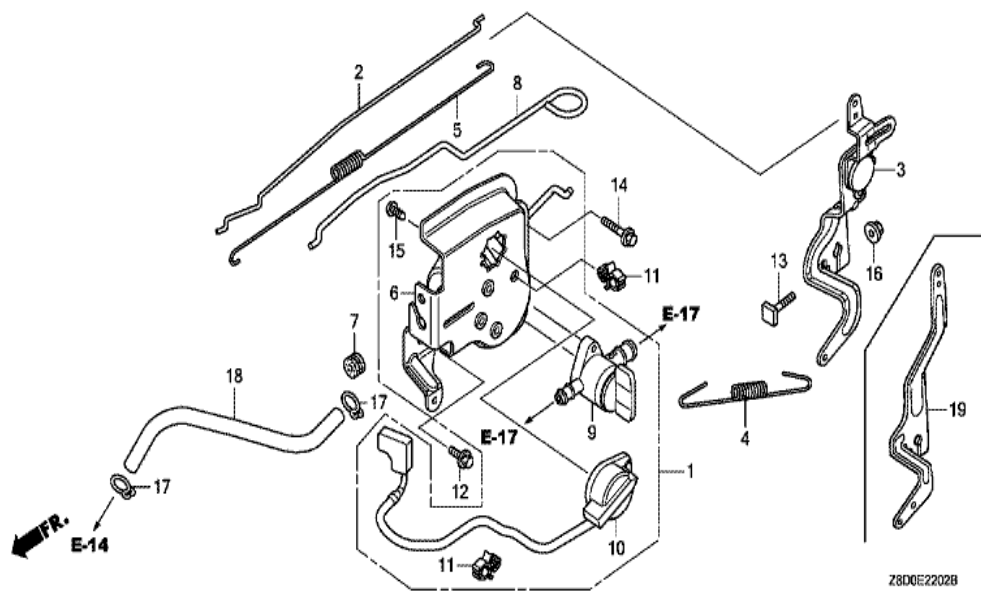
GCV190LA(N5AP)

E-22 CONTROL (1)



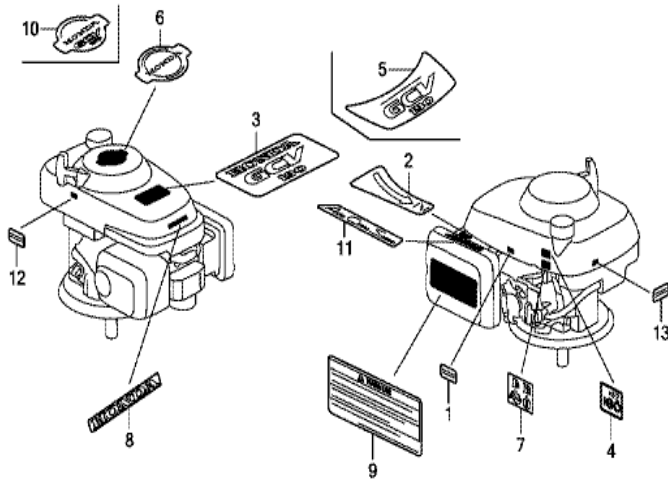
Ref	Partnumber	Description	GCV190LA	Serial Numbers
001	16551-ZM0-010	ARM, GOVERNOR	1	2348724
002	16555-Z0L-801	ROD, GOVERNOR	1	2348724
002	16555-Z0L-801	ROD, GOVERNOR	1	1789248
003	16561-Z8B-V30	SPRING, GOVERNOR	1	2244454 2348724
003	16561-Z8B-V30	SPRING, GOVERNOR	1	2244454 2348724
003	16561-ZM0-V30	SPRING, GOVERNOR	1	
003	16561-ZM0-V30	SPRING, GOVERNOR	1	2244453
003	16561-ZM0-V30	SPRING, GOVERNOR	1	2244453
004	16562-ZM0-000	SPRING, THROTTLE RETURN	1	2348724
006	90015-ZE5-010	BOLT, GOVERNOR ARM	1	2348724
007	90016-ZE8-000	BOLT, FLANGE, 6X45 (CT200)	1	2348724
008	94050-06000	NUT, FLANGE, 6MM	1	2448724
009	16580-Z0L-800	BASE COMP., CONTROL	1	2348724
<u>Ref</u>	<u>Partnumber</u>	<u>Description</u>	<u>GCV190LA</u>	<u>Serial Numbers</u>
009	16580-Z0L-800	BASE COMP., CONTROL	1	2348724
010	16613-893-000	GROMMET, CHOKE ROD	2	2348724
010	16613-893-000	GROMMET, CHOKE ROD	2	2348724
011	16674-Z0L-800	ROD, CHOKE	1	2348724
011	16674-Z0L-800	ROD, CHOKE	1	2348724
012	35120-Z0L-901	SWITCH ASSY., ENGINE STOP	1	2348724
012	35120-Z0L-901	SWITCH ASSY., ENGINE STOP	1	2348724
013	51125-Z0L-003	HOLDER, WIRE (FASTEX)	1	2348724
013	51125-Z0L-003	HOLDER, WIRE (FASTEX)	1	2348724
013	90681-959-003	CLIP A, CABLE (NIFCO) (3.8MM BLACK)	1	
013	90681-959-003	CLIP A, CABLE (NIFCO) (3.8MM BLACK)	1	2348724
013	90681-959-003	CLIP A, CABLE (NIFCO) (3.8MM BLACK)	1	2348724

GCV190LA(N5AP)	E-22-2 CONTROL (3)
----------------	--------------------



Ref	Partnumber	Description	GCV190LA	Serial Numbers
001	16500-Z8D-000	CONTROL ASSY.	1	2348725 6651240
002	16555-Z0L-801	ROD, GOVERNOR	1	2348725
004	16561-Z8B-V30	SPRING, GOVERNOR	1	2348725
004	16561-Z8B-V30	SPRING, GOVERNOR	1	2348725
005	16562-ZM0-000	SPRING, THROTTLE RETURN	1	
005	16562-ZM0-000	SPRING, THROTTLE RETURN	1	2348725
006	16581-Z8D-000	BASE, CONTROL	1	
006	16581-Z8D-000	BASE, CONTROL	1	2348725
007	16613-893-000	GROMMET, CHOKE ROD	1	2348725
007	16613-893-000	GROMMET, CHOKE ROD	1	2348725
008	16674-Z8D-800	ROD, CHOKE	1	2348725
009	16950-Z0Y-003	COCK ASSY., FUEL	1	2348725
010	35120-Z8B-911	SWITCH ASSY., ENGINE STOP	1	6651241
<u>Ref</u>	<u>Partnumber</u>	<u>Description</u>	<u>GCV190LA</u>	<u>Serial Numbers</u>
010	35120-Z8D-901	SWITCH ASSY., ENGINE STOP	1	
010	35120-Z8D-901	SWITCH ASSY., ENGINE STOP	1	2348725 6651240
011	51125-Z0L-003	HOLDER, WIRE (FASTEX)	1	
011	51125-Z0L-003	HOLDER, WIRE (FASTEX)	1	2348725
011	51125-Z0L-003	HOLDER, WIRE (FASTEX)	2	
012	90013-883-000	BOLT, FLANGE, 6X12 (CT200)	1	2348725
013	90015-ZE5-010	BOLT, GOVERNOR ARM	1	2348725
014	90017-883-000	BOLT, FLANGE, 6X32 (CT200)	1	2348725
015	93913-25220	SCREW, TAPPING, 5X12 (PO)	1	2348725
016	94050-06000	NUT, FLANGE, 6MM	1	2448725
019	16551-ZM0-010	ARM, GOVERNOR	1	
019	16551-ZM0-010	ARM, GOVERNOR	1	2348725

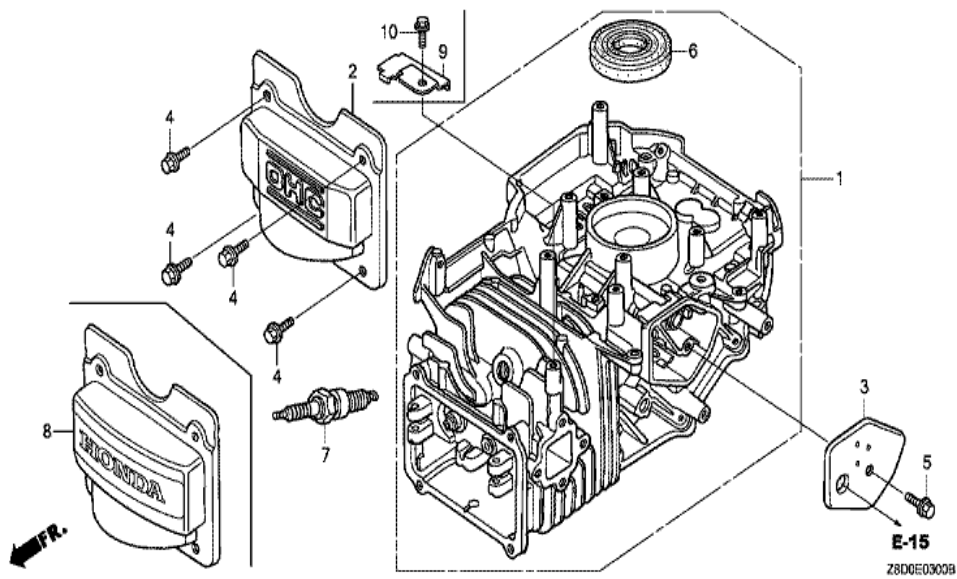
GCV190LA(N5AP)	E-28 LABEL
----------------	------------



Z8D0E2800G

Ref	Partnumber	Description	GCV190LA	Serial Numbers
001	87114-ZH7-821	LABEL, WARNING (NOT CERTIFIED FOR SALE)	1	
004	87528-ZL8-000	MARK, CHOKE	1	
005	87101-Z8D-000	MARK, EMBLEM (GCV190)	1	
006	87169-Z8E-000	MARK, RECOIL COVER	1	
007	87524-Z8B-000	MARK, FUEL COCK CAUTION	1	
008	87531-Z0Y-M11ZA	MARK, HONDA *TYPE1*	1	
008	87531-Z0Y-M11ZB	MARK, HONDA *TYPE2*	1	
008	87531-Z0Y-M11ZB	MARK, HONDA *TYPE2*	1	

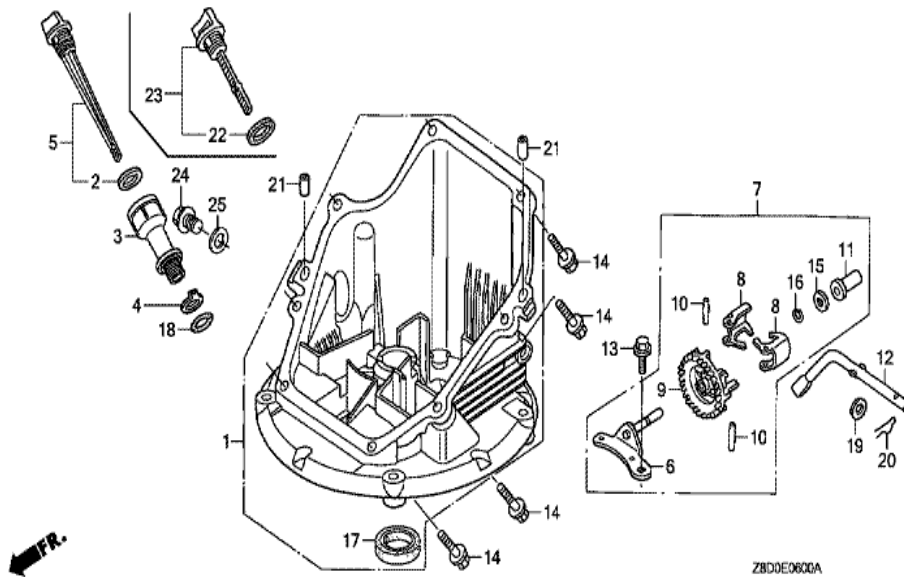
GCV190LA(N5AP)	E-3 CYLINDER BARREL
----------------	---------------------



Ref	Partnumber	Description	GCV190LA	Serial Numbers
001	12000-Z0Y-415	BARREL ASSY., CYLINDER	1	
002	12311-ZL8-000	COVER, HEAD	1	
003	12355-ZL8-000	COVER COMP., BREATHER	1	
004	90013-883-000	BOLT, FLANGE, 6X12 (CT200)	4	
005	90014-952-000	BOLT, FLANGE, 6X14 (CT200)	1	
006	91201-Z0Y-003	OIL SEAL, 25.4X62X6	1	
007	98079-56846	PLUG, SPARK (BPR6ES) (NGK)	1	1693051
007	98079-56846	PLUG, SPARK (BPR6ES) (NGK)	1	
007	98079-56846	PLUG, SPARK (BPR6ES) (NGK)	1	

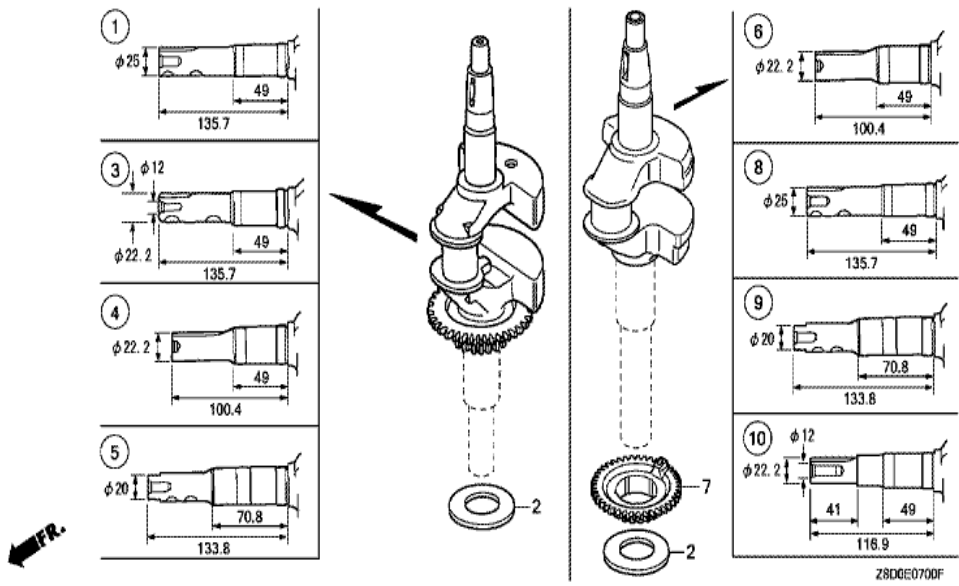
GCV190LA(N5AP)

E-6 OIL PAN



Ref	Partnumber	Description	GCV190LA	Serial Numbers
001	11300-Z8D-406	PAN ASSY., OIL	1	
001	11300-Z8D-406	PAN ASSY., OIL	1	
001	11300-Z8D-406	PAN ASSY., OIL	1	
006	16508-ZM0-010	SHAFT COMP., GOVERNOR HOLDER	1	
006	16508-ZM0-010	SHAFT COMP., GOVERNOR HOLDER	1	
007	16510-ZM0-010	GOVERNOR ASSY.	1	
008	16511-ZL8-000	WEIGHT, GOVERNOR	2	
009	16512-ZM0-000	HOLDER, GOVERNOR WEIGHT	1	
010	16513-ZE1-000	PIN, GOVERNOR WEIGHT	2	
011	16531-ZE1-000	SLIDER, GOVERNOR	1	
012	16541-Z8B-000	SHAFT, GOVERNOR ARM	1	2153738
012	16541-Z8B-000	SHAFT, GOVERNOR ARM	1	2153738
012	16541-ZM0-000	SHAFT, GOVERNOR ARM	1	
Ref	Partnumber	Description	GCV190LA	Serial Numbers
012	16541-ZM0-000	SHAFT, GOVERNOR ARM	1	2153737
012	16541-ZM0-000	SHAFT, GOVERNOR ARM	1	2153737
013	90014-952-000	BOLT, FLANGE, 6X14 (CT200)	1	
014	90121-952-000	BOLT, FLANGE, 6X25 (CT200)	8	
015	90451-ZE1-000	WASHER, THRUST, 6MM	1	
016	90602-ZE1-000	CLIP, GOVERNOR HOLDER	1	
017	91202-ZM0-V31	OIL SEAL, 28X41.25X6 (NOK)	1	
017	91202-ZM0-V31	OIL SEAL, 28X41.25X6 (NOK)	1	
019	94101-06800	WASHER, PLAIN, 6MM	1	
020	94251-08000	PIN, LOCK, 8MM	1	
021	94301-08200	DOWEL PIN, 8X20	2	
021	94301-08200	DOWEL PIN, 8X20	2	
022	15625-Z2L-801	PACKING, OIL FILLER CAP	1	
023	15650-Z0L-000	GAUGE ASSY., OIL LEVEL	1	

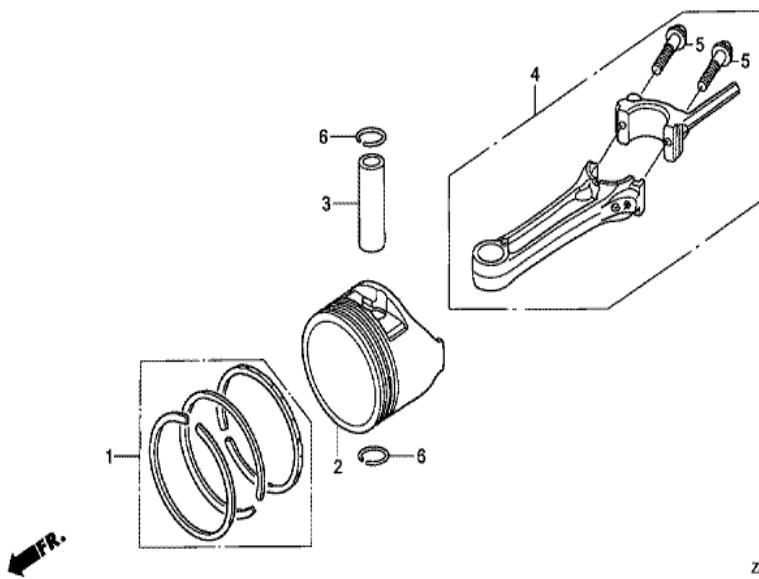
GCV190LA(N5AP)	E-7 CRANKSHAFT
----------------	----------------



Ref	Partnumber	Description	GCV190LA	Serial Numbers
002	90402-ZL8-000	WASHER, THRUST	1	
002	90402-ZL8-000	WASHER, THRUST	1	
004	13310-Z0Y-650	CRANKSHAFT COMP.	1	6651240
004	13310-Z0Y-650	CRANKSHAFT COMP.	1	
006	13311-Z8D-910	CRANKSHAFT	1	6651241
007	13621-Z8B-900	PULLEY, TIMING BELT DRIVE	1	6651241



GCV190LA(N5AP)	E-8 PISTON/CONNECTING ROD
----------------	---------------------------



Z8D0E0800

Ref	Partnumber	Description	GCV190LA	Serial Numbers
001	13010-Z0Y-014	RING SET, PISTON (STD.) (TEIKOKU)	1	
002	13101-Z0Y-010	PISTON	1	6400000
002	13101-Z0Y-010	PISTON	1	6400000
002	13101-Z8D-820	PISTON	1	
002	13101-Z8D-820	PISTON	1	6400001
003	13111-Z0Y-000	PIN, PISTON	1	
004	13200-Z0Y-010	ROD ASSY., CONNECTING	1	
004	13200-Z0Y-010	ROD ASSY., CONNECTING	1	
005	90001-ZE1-000	BOLT, CONNECTING ROD	2	
006	90551-ZE0-000	CLIP, PISTON PIN, 13MM	2	