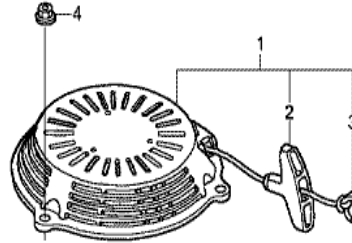
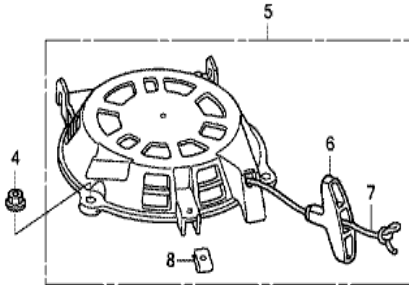


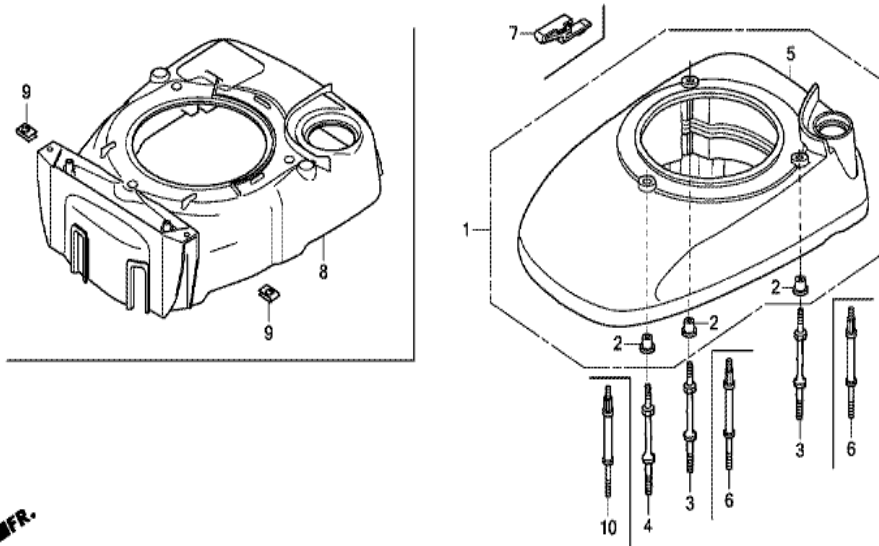
<u>Ref</u>	<u>Partnumber</u>	<u>Description</u>	<u>GCV190LA</u>	<u>Serial Numbers</u>
001	12209-Z8B-003	SEAL, VALVE STEM	1	
002	14320-Z8D-000	PULLEY COMP., CAMSHAFT	1	
003	14324-Z8B-000	SHAFT, CAM PULLEY	1	
004	14400-Z8B-003	BELT, TIMING (84HU6 G-200)	1	
005	14431-Z0J-000	ARM, IN. VALVE ROCKER	1	
006	14441-Z0J-000	ARM, EX. VALVE ROCKER	1	
007	14461-ZL8-000	SHAFT, ROCKER ARM	2	
008	14711-Z0J-800	VALVE, IN.	1	
008	14711-ZL8-000	VALVE, IN. (TECHNOSTAR)	1	
009	14721-Z8B-000	VALVE, EX. (C8E)	1	
009	14721-ZL8-000	VALVE, EX. (L8E)	1	
010	14751-ZL8-000	SPRING, VALVE	2	
011	14771-Z0J-000	RETAINER, VALVE SPRING	2	
<u>Ref</u>	<u>Partnumber</u>	<u>Description</u>	<u>GCV190LA</u>	<u>Serial Numbers</u>
012	90012-333-000	SCREW, TAPPET ADJUSTING	2	
013	90206-001-000	NUT, TAPPET ADJUSTING	2	
014	91301-ZM0-V31	O-RING, 6.8X1.9 (ARAI)	1	

FR.



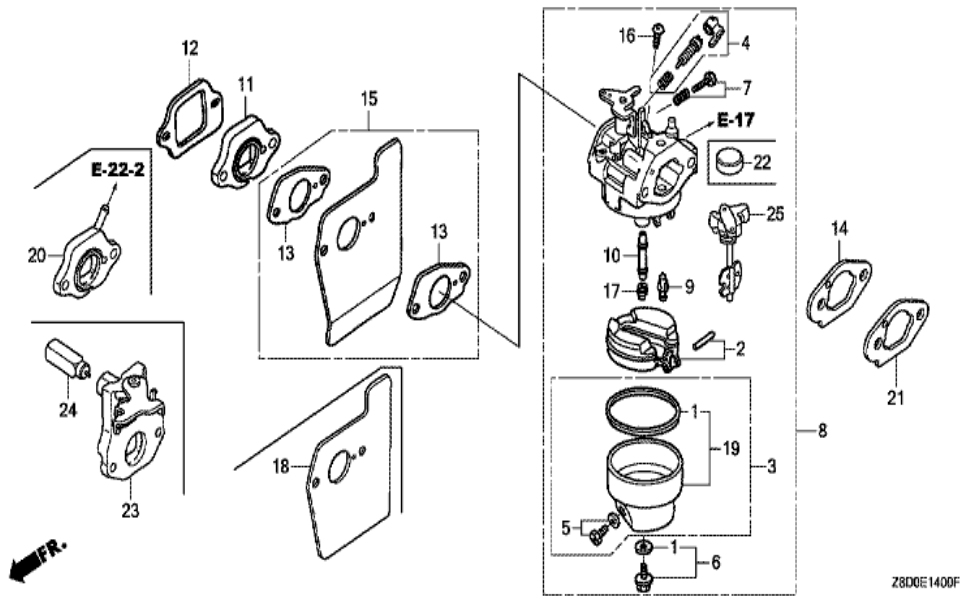
Z8D0E1100B

Ref	Partnumber	Description	GCV190LA	Serial Numbers
001	28400-Z8D-911ZA	STARTER ASSY., RECOIL (SHORT ROPE) *R280	1	
001	28400-Z8D-911ZB	STARTER ASSY., RECOIL (SHORT ROPE) *NH1*	1	
002	28461-ZL8-003	GRIP, STARTER	1	
003	28462-ZL8-003	ROPE, RECOIL STARTER	1	
004	90201-ZM0-000	NUT, FLANGE, 6MM	3	



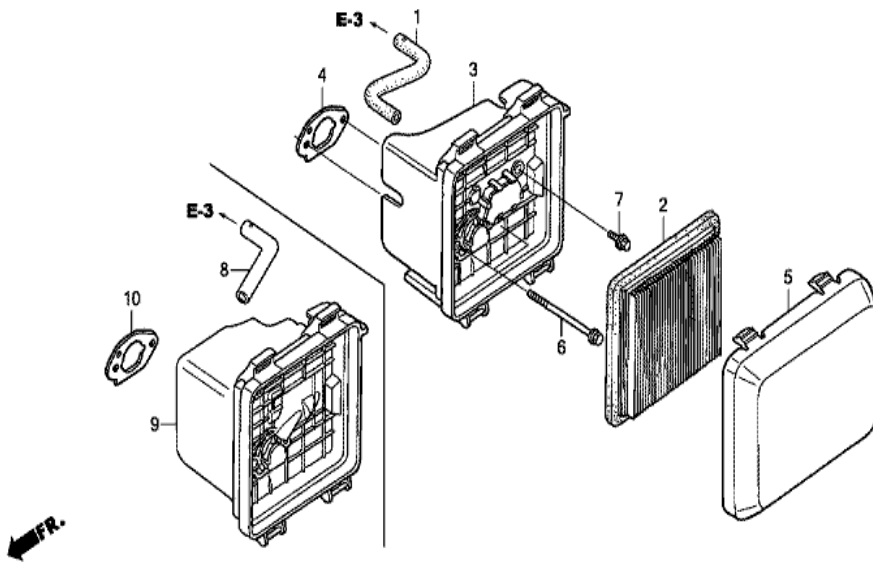
Z8D0E1200E

Ref	Partnumber	Description	GCV190LA	Serial Numbers
005	19611-Z0L-850ZA	COVER, FAN *NH1*	1	
005	19611-Z0L-850ZF	COVER, FAN *R280*	1	
006	90043-Z8D-010	BOLT, STUD (FAN COVER)	2	
010	90043-Z8D-010	BOLT, STUD (FAN COVER)	1	



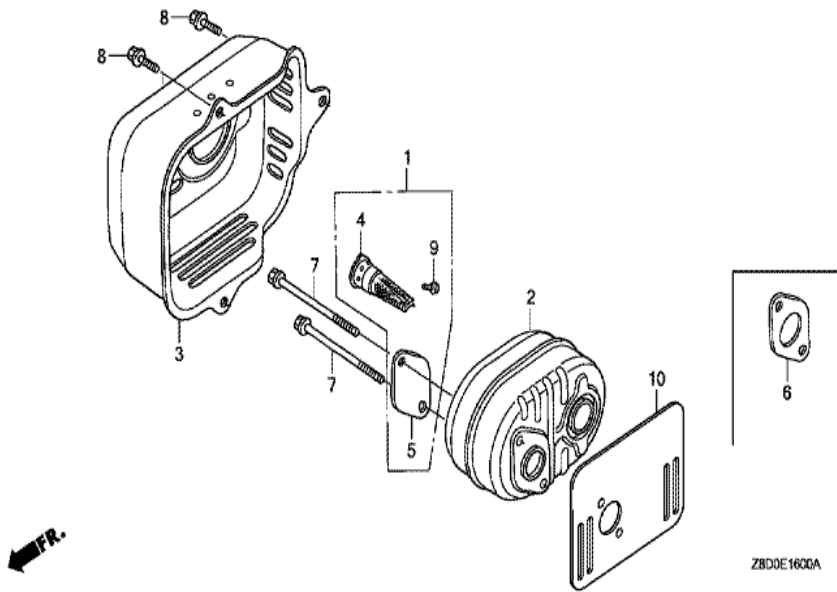
Z8D0E1400F

<u>Ref</u>	<u>Partnumber</u>	<u>Description</u>	<u>GCV190LA</u>	<u>Serial Numbers</u>
001	16010-883-015	PACKING SET	1	
002	16013-ZL1-003	FLOAT SET	1	
006	16028-ZE0-005	SCREW SET	1	
008	16100-Z8D-911	CARBURETOR ASSY. (BB76E A)	1	
009	16155-ZM0-013	VALVE, FLOAT	1	
010	16166-Z8B-901	NOZZLE, MAIN	1	
011	16211-Z8B-000	INSULATOR, CARBURETOR	1	
012	16212-ZL8-000	PACKING, INSULATOR	1	
016	93500-050061H	SCREW, PAN, 5X6	1	
017	99101-1240550	JET, MAIN, #55	(1)	
017	99101-1240580	JET, MAIN, #58	(1)	
017	99101-1240600	JET, MAIN, #60	1	
018	19651-Z0L-000	GUIDE, AIR	1	
<u>Ref</u>	<u>Partnumber</u>	<u>Description</u>	<u>GCV190LA</u>	<u>Serial Numbers</u>
019	16015-Z0L-881	CHAMBER SET, FLOAT	1	
025	16044-Z8B-911	CHOKE SET	1	

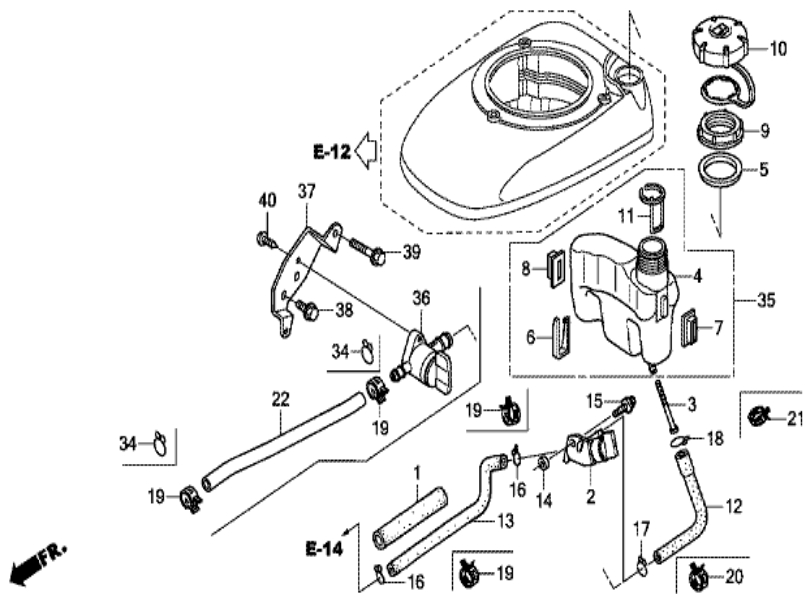


Z800E1500A

Ref	Partnumber	Description	GCV190LA	Serial Numbers
002	17211-Z8B-901	ELEMENT, AIR CLEANER (WIX FILTERS)	1	
005	17231-Z0L-050	COVER, AIR CLEANER	1	
006	90003-Z8B-900	BOLT, SPECIAL, 6MM	2	
008	15721-Z8B-900	TUBE, BREATHER	1	
009	17221-Z8B-900	CASE, AIR CLEANER	1	
010	17228-Z8B-900	PACKING, AIR CLEANER	1	

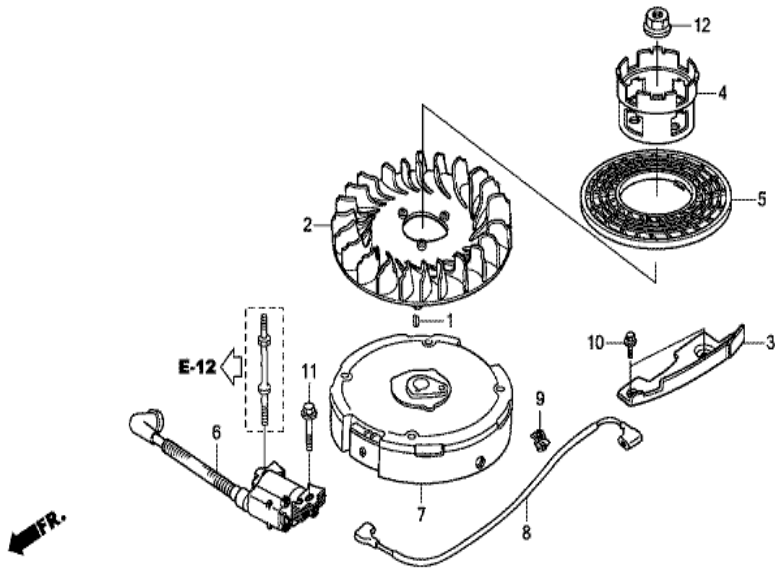


Ref	Partnumber	Description	GCV190LA	Serial Numbers
001	06180-Z0J-000	ARRESTER KIT, SPARK	(1)	
002	18310-Z0Y-010	MUFFLER COMP.	1	
003	18321-Z0L-010	PROTECTOR, MUFFLER	1	
004	18350-ZL8-000	ARRESTER COMP., SPARK	(1)	
005	18356-ZL8-000	PLATE, ARRESTER NUMBER	(1)	
006	18381-ZL8-305	GASKET, MUFFLER	(1)	
007	90004-ZL8-000	BOLT, FLANGE, 6X79 (CT200)	2	
008	90013-883-000	BOLT, FLANGE, 6X12 (CT200)	3	
009	90055-ZE1-000	SCREW, TAPPING, 4X6	(1)	
010	18381-Z8D-800	GASKET, MUFFLER	1	



Z8DGE1700D

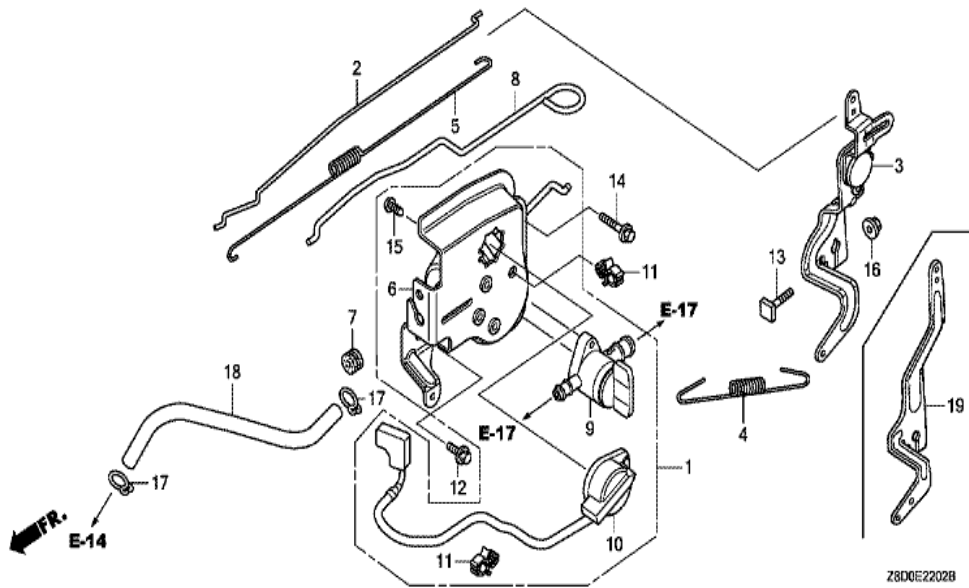
<u>Ref</u>	<u>Partnumber</u>	<u>Description</u>	<u>GCV190LA</u>	<u>Serial Numbers</u>
003	16952-Z8B-000	STRAINER, FUEL	1	
004	17511-Z8B-800	TANK, FUEL	1	
005	17514-Z0L-000	SEAL, FUEL FILLER NECK	1	
006	17516-Z0L-000	CLIP, TANK MOUNTING	1	
007	17532-Z8B-800	RUBBER A, TANK MOUNTING	1	
008	17533-Z8B-800	RUBBER B, TANK MOUNTING	1	
009	17534-Z0L-000	NUT, TANK MOUNTING	1	
010	17620-Z0J-800	CAP ASSY., FUEL TANK	1	
011	17636-Z0L-010	GAUGE, FUEL LEVEL	1	
012	91427-Z8D-901	TUBE, FUEL, 7.3X145	1	
017	95002-02130	CLIP, TUBE (B12.5)	1	
018	95002-02130	CLIP, TUBE (B12.5)	1	
022	91424-Z8D-901	TUBE, FUEL, 4.5X140	1	
<u>Ref</u>	<u>Partnumber</u>	<u>Description</u>	<u>GCV190LA</u>	<u>Serial Numbers</u>
034	95002-50000	CLIP, TUBE (C9)	2	



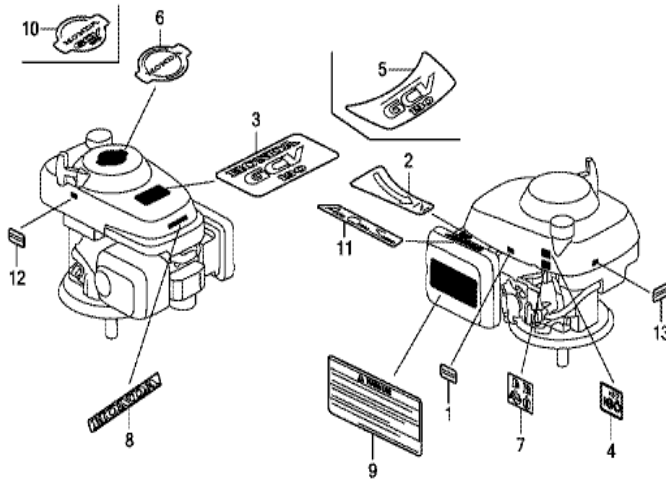
Z8D0E1901B

Ref	Partnumber	Description	GCV190LA	Serial Numbers
001	13331-Z8B-900	KEY, SPECIAL WOODRUFF, 25X18	1	
002	19511-Z0J-900	FAN, COOLING	1	
003	19612-Z0L-000	PLATE, SIDE	1	
004	28451-Z0J-900	PULLEY, STARTER	1	
006	30500-Z8B-912	COIL ASSY., IGNITION (PHELON)	1	
007	31110-Z8D-014	FLYWHEEL COMP.	1	
009	51125-Z0L-003	HOLDER, WIRE (FASTEX)	1	
010	90013-883-000	BOLT, FLANGE, 6X12 (CT200)	2	
011	90018-ZE1-000	BOLT, FLANGE, 6X23 (CT200)	1	
012	90201-Z0T-800	NUT, SPECIAL, 14MM	1	



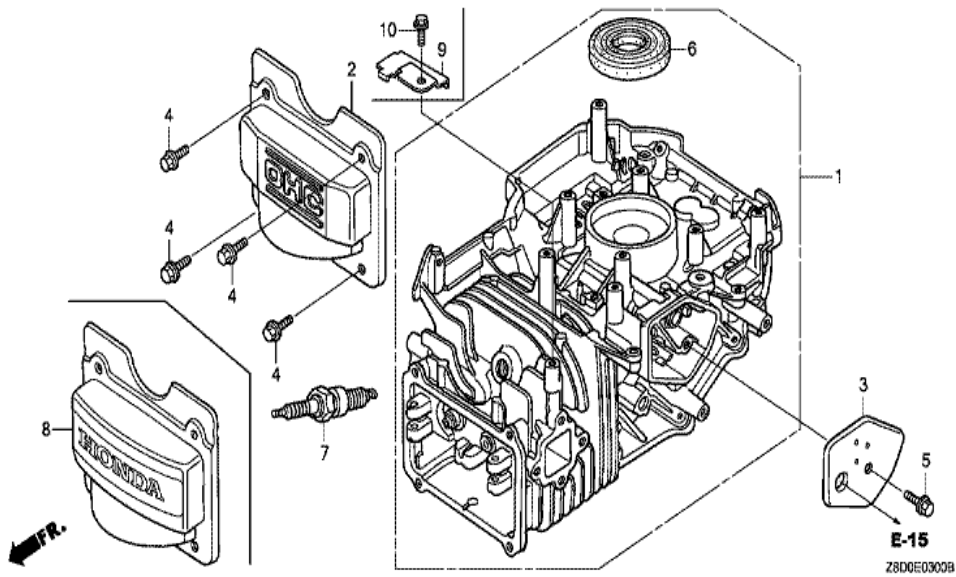


<u>Ref</u>	<u>Partnumber</u>	<u>Description</u>	<u>GCV190LA</u>	<u>Serial Numbers</u>
002	16555-Z0L-801	ROD, GOVERNOR	1	
004	16561-Z8B-V30	SPRING, GOVERNOR	1	
005	16562-ZM0-000	SPRING, THROTTLE RETURN	1	
006	16581-Z8D-000	BASE, CONTROL	1	
007	16613-893-000	GROMMET, CHOKE ROD	1	
008	16674-Z8D-800	ROD, CHOKE	1	
009	16950-Z0Y-003	COCK ASSY., FUEL	1	
010	35120-Z8B-911	SWITCH ASSY., ENGINE STOP	1	
011	51125-Z0L-003	HOLDER, WIRE (FASTEX)	1	
012	90013-883-000	BOLT, FLANGE, 6X12 (CT200)	1	
013	90015-ZE5-010	BOLT, GOVERNOR ARM	1	
014	90017-883-000	BOLT, FLANGE, 6X32 (CT200)	1	
015	93913-25220	SCREW, TAPPING, 5X12 (PO)	1	
<u>Ref</u>	<u>Partnumber</u>	<u>Description</u>	<u>GCV190LA</u>	<u>Serial Numbers</u>
016	94050-06000	NUT, FLANGE, 6MM	1	
019	16551-ZM0-010	ARM, GOVERNOR	1	

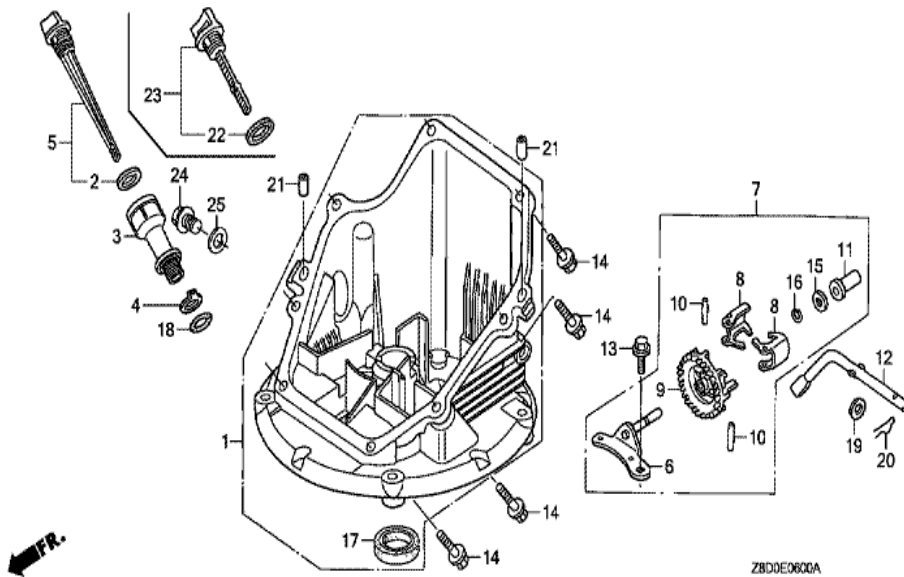


Z8D0E2800G

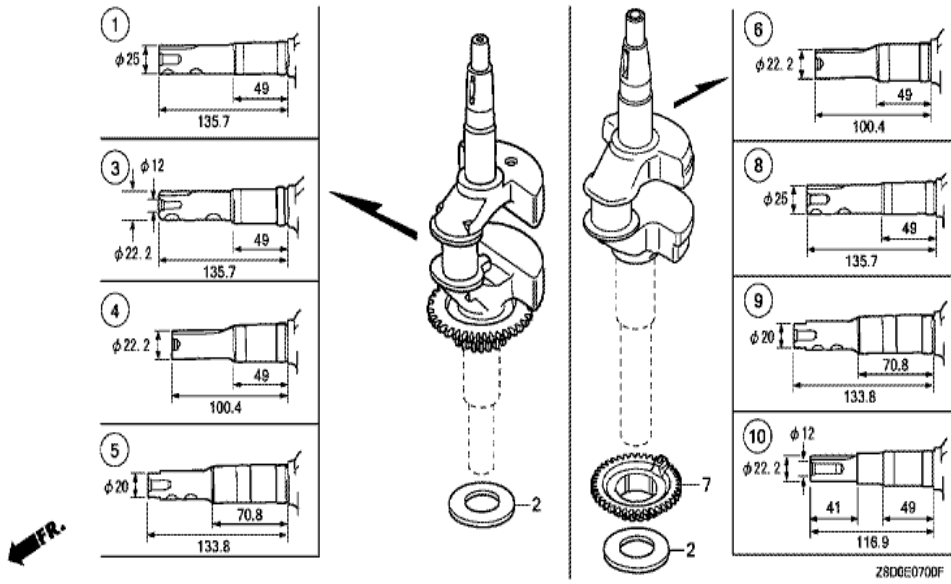
Ref	Partnumber	Description	GCV190LA	Serial Numbers
001	87114-ZH7-860	LABEL, WARNING	1	
004	87528-ZL8-000	MARK, CHOKE	1	
005	87101-Z8D-000	MARK, EMBLEM (GCV190)	1	
006	87169-Z8E-000	MARK, RECOIL COVER	1	
007	87524-Z8B-000	MARK, FUEL COCK CAUTION	1	
009	87516-Z0J-000	MARK, OPERATOR CAUTION (ENGLISH)	1	



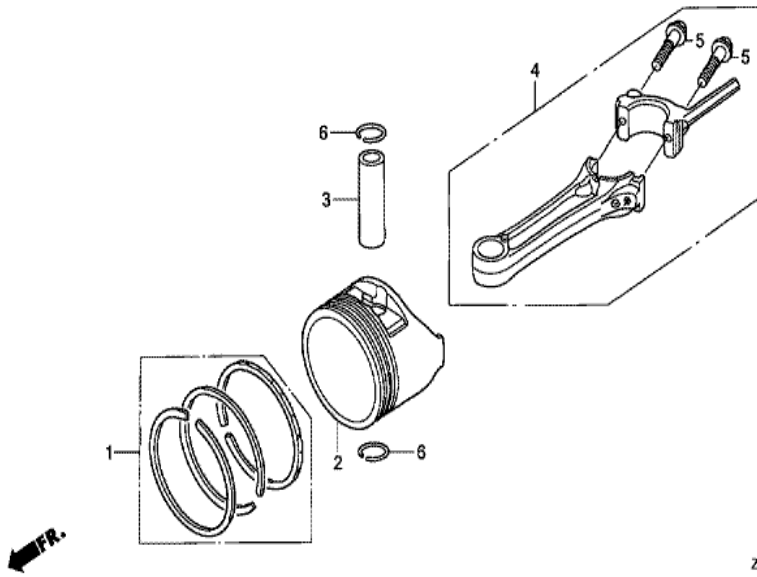
Ref	Partnumber	Description	GCV190LA	Serial Numbers
001	12000-Z8D-405	BARREL ASSY., CYLINDER	1	
003	12355-ZL8-000	COVER COMP., BREATHER	1	
004	90013-883-000	BOLT, FLANGE, 6X12 (CT200)	4	
005	90014-952-000	BOLT, FLANGE, 6X14 (CT200)	1	
006	91201-Z0Y-003	OIL SEAL, 25.4X62X6	1	
007	98079-56846	PLUG, SPARK (BPR6ES) (NGK)	1	
008	12311-Z8B-000	COVER, HEAD	1	



<u>Ref</u>	<u>Partnumber</u>	<u>Description</u>	<u>GCV190LA</u>	<u>Serial Numbers</u>
001	11300-Z8D-406	PAN ASSY., OIL	1	
006	16508-Z8B-003	SHAFT COMP., GOVERNOR HOLDER	1	
007	16510-Z8B-000	GOVERNOR ASSY.	1	
008	16511-ZL8-000	WEIGHT, GOVERNOR	2	
009	16512-ZM0-000	HOLDER, GOVERNOR WEIGHT	1	
010	16513-ZE1-000	PIN, GOVERNOR WEIGHT	2	
011	16531-ZE1-000	SLIDER, GOVERNOR	1	
012	16541-Z8B-000	SHAFT, GOVERNOR ARM	1	
013	90014-952-000	BOLT, FLANGE, 6X14 (CT200)	1	
014	90121-952-000	BOLT, FLANGE, 6X25 (CT200)	8	
015	90451-ZE1-000	WASHER, THRUST, 6MM	1	
016	90602-ZE1-000	CLIP, GOVERNOR HOLDER	1	
017	91202-ZM0-V31	OIL SEAL, 28X41.25X6 (NOK)	1	
<u>Ref</u>	<u>Partnumber</u>	<u>Description</u>	<u>GCV190LA</u>	<u>Serial Numbers</u>
019	94101-06800	WASHER, PLAIN, 6MM	1	
020	94251-08000	PIN, LOCK, 8MM	1	
021	90701-Z8B-000	DOWEL PIN, 8X20	2	
022	15625-Z2L-801	PACKING, OIL FILLER CAP	1	
023	15650-Z0L-000	GAUGE ASSY., OIL LEVEL	1	



Ref	Partnumber	Description	GCV190LA	Serial Numbers
002	90402-Z0Y-000	WASHER, THRUST	1	
006	13311-Z8D-910	CRANKSHAFT	1	
007	13621-Z8B-900	PULLEY, TIMING BELT DRIVE	1	



Z8D0E0800

Ref	Partnumber	Description	GCV190LA	Serial Numbers
001	13010-Z0Y-014	RING SET, PISTON (STD.) (TEIKOKU)	1	
002	13101-Z8D-820	PISTON	1	
003	13111-Z8D-000	PIN, PISTON	1	
004	13200-Z0Y-010	ROD ASSY., CONNECTING	1	
005	90006-Z8B-000	BOLT, CONNECTING ROD	2	
006	90551-ZE0-000	CLIP, PISTON PIN, 13MM	2	