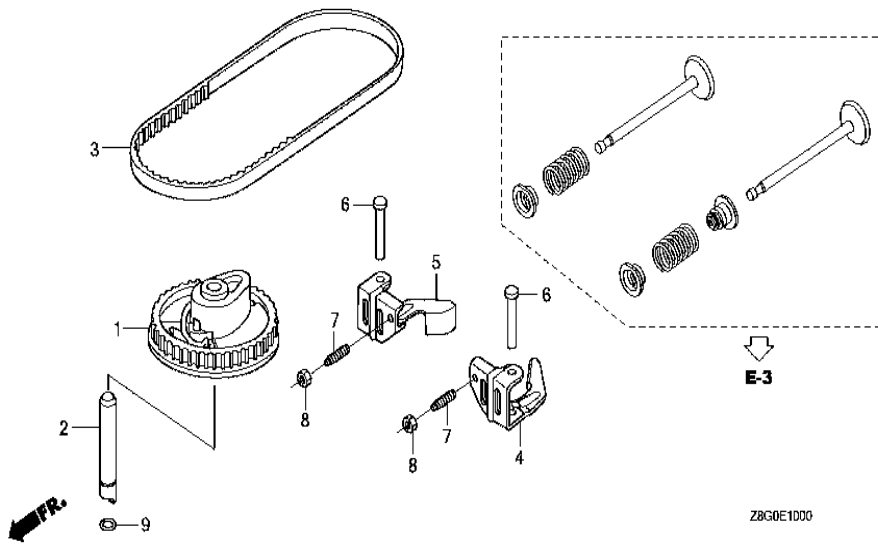
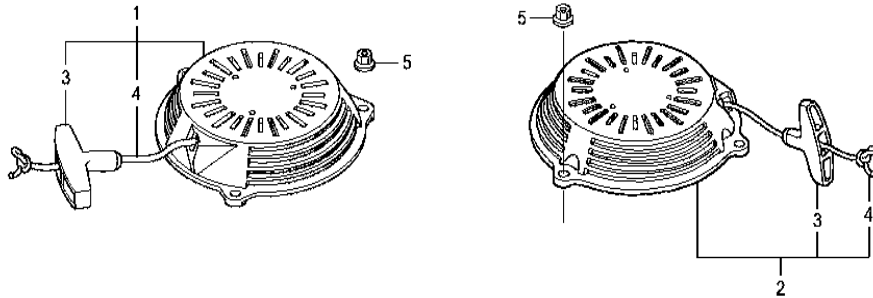


GCV160LE(A4A9)	E-10 CAMSHAFT PULLEY
----------------	----------------------



Ref	Partnumber	Description	GCV160LE	Serial Numbers
001	14320-ZL8-010	PULLEY COMP., CAMSHAFT	1	
002	14324-ZL8-000	SHAFT, CAM PULLEY	1	
003	14400-ZL8-013	BELT, TIMING (84HU7 G-200)	1	
004	14431-Z0J-000	ARM, IN. VALVE ROCKER	1	
005	14441-Z0J-000	ARM, EX. VALVE ROCKER	1	
006	14461-ZL8-000	SHAFT, ROCKER ARM	2	
007	90012-333-000	SCREW, TAPPET ADJUSTING	2	
008	90206-001-000	NUT, TAPPET ADJUSTING	2	
009	91301-Z0M-003	O-RING, 6.8X1.9	1	

GCV160LE(A4A9)	E-11 RECOIL STARTER
----------------	---------------------

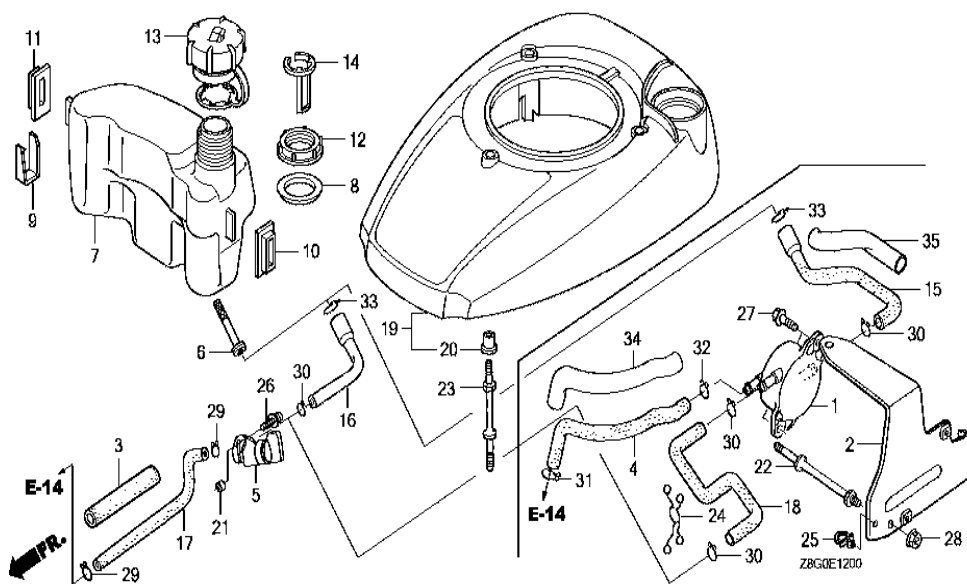


ZBGOE1100

Ref	Partnumber	Description	GCV160LE	Serial Numbers
002	28400-ZM0-633ZA	STARTER ASSY., RECOIL (LONG ROPE) *NH1*	1	
003	28461-ZL8-003	GRIP, STARTER	1	
004	28462-ZL8-631	ROPE, RECOIL STARTER (LONG TYPE)	1	
005	90201-ZM0-000	NUT, FLANGE, 6MM	3	

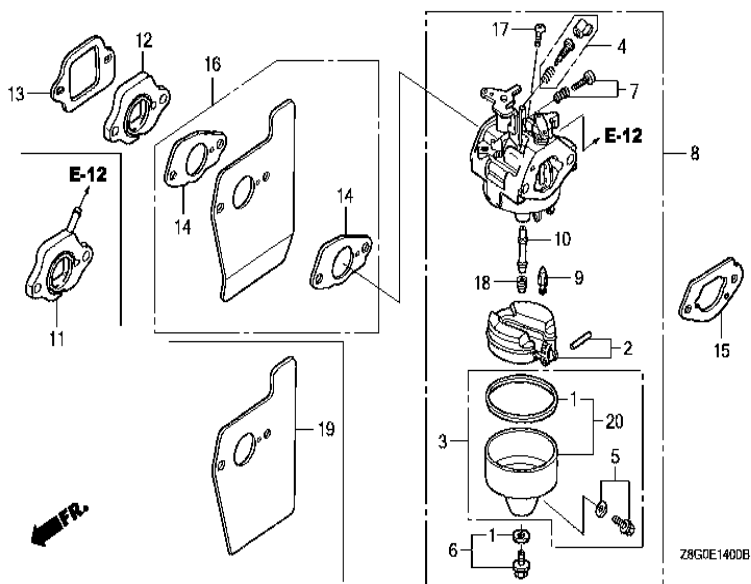
GCV160LE(A4A9)

E-12 FAN COVER



Ref	Partnumber	Description	GCV160LE	Serial Numbers
003	16854-ZH8-000	RUBBER, SUPPORTER (107MM)	1	
005	16950-ZM0-003	COCK ASSY., FUEL	1	
006	16952-ZA8-800	STRAINER, FUEL	1	
007	17511-ZOL-010	TANK, FUEL	1	
008	17514-ZOL-000	SEAL, FUEL FILLER NECK	1	
009	17516-ZOL-000	CLIP, TANK MOUNTING	1	
010	17532-ZOL-000	RUBBER A, TANK MOUNTING	1	
011	17533-ZOL-000	RUBBER B, TANK MOUNTING	1	
012	17534-ZOL-000	NUT, TANK MOUNTING	1	
013	17620-ZOJ-800	CAP ASSY., FUEL TANK	1	
014	17636-ZOL-000	GAUGE, FUEL LEVEL	1	
016	17701-ZOL-810	TUBE, FUEL TANK	1	
017	17702-ZM0-800	TUBE, FUEL	1	
Ref	Partnumber	Description	GCV160LE	Serial Numbers
019	19610-ZOL-851ZA	COVER COMP., FAN *NH1*	1	
020	19619-ZL8-300	COLLAR, FAN COVER	3	
021	33609-GK4-620	COLLAR, FR. WINKER	1	
023	90043-ZL8-000	BOLT, STUD (H=42.5MM)	3	
026	93891-0501008	SCREW-WASHER, 5X10	1	
029	95002-02080	CLIP, TUBE (B8)	2	
030	95002-02100	CLIP, TUBE (B10)	1	
033	95002-70000	CLIP, TUBE (C11)	1	

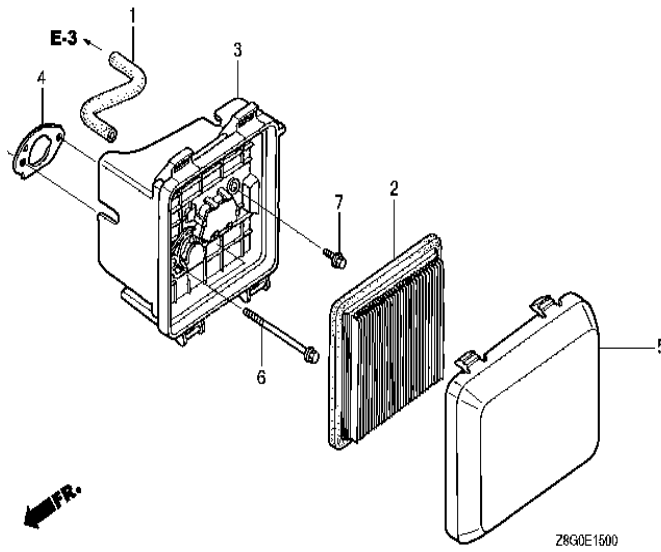
GCV160LE(A4A9)	E-14 CARBURETOR
----------------	-----------------



Ref	Partnumber	Description	GCV160LE	Serial Numbers
001	16010-883-015	PACKING SET	1	
002	16013-ZL1-003	FLOAT SET	1	
003	16015-887-782	CHAMBER SET, FLOAT	1	BB62Y A
004	16016-ZG0-W00	SCREW SET	1	
005	16024-ZE1-811	SCREW SET, DRAIN	1	BB62Y A
006	16028-ZE0-005	SCREW SET	1	
007	16029-ZG0-901	SCREW SET (THROTTLE STOP)	1	
008	16100-Z0L-003	CARBURETOR ASSY. (BB62W A)	1	
009	16155-ZM0-013	VALVE, FLOAT	1	
010	16166-ZM0-003	NOZZLE, MAIN	1	
012	16211-ZL8-000	INSULATOR, CARBURETOR	1	
013	16212-ZL8-000	PACKING, INSULATOR	1	
014	16221-883-800	PACKING, CARBURETOR	2	2441644
Ref	Partnumber	Description	GCV160LE	Serial Numbers
015	16228-ZL8-000	PACKING, CARBURETOR	1	
016	19650-ZM0-000	GUIDE COMP., AIR	1	2441644
017	93500-050061H	SCREW, PAN, 5X6	1	
018	99101-1240600	JET, MAIN, #60	(1)	
018	99101-1240620	JET, MAIN, #62	(1)	
018	99101-1240650	JET, MAIN, #65	1	
019	19651-Z0L-000	GUIDE, AIR	1	2441645
020	16015-Z0L-881	CHAMBER SET, FLOAT	1	BB62Y B

GCV160LE(A4A9)

E-15 AIR CLEANER

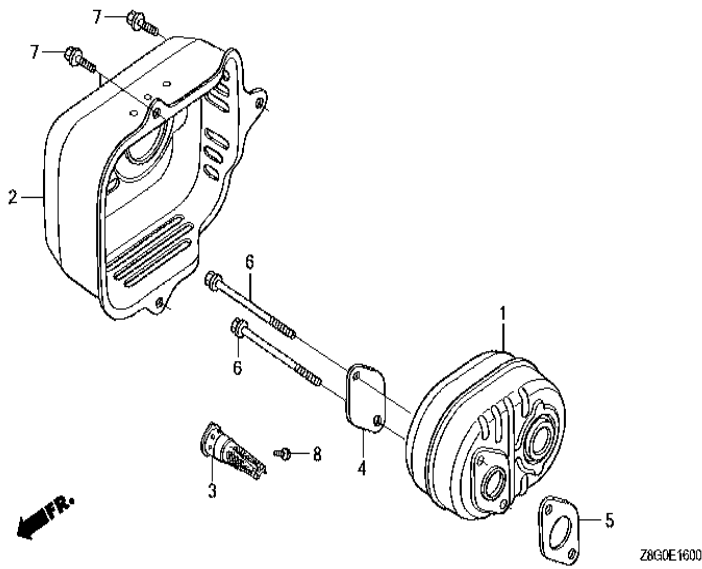


Z8G0E1500

Ref	Partnumber	Description	GCV160LE	Serial Numbers
001	15721-ZM0-000	TUBE, BREATHER	1	
002	17211-ZL8-023	ELEMENT, AIR CLEANER (TOYO ROKI)	1	
003	17220-ZM0-000	CASE ASSY., AIR CLEANER	1	2441541
003	17220-ZM0-010	CASE ASSY., AIR CLEANER	1	2441542
004	17228-ZM0-000	PACKING, AIR CLEANER	1	
005	17231-Z0L-030	COVER, AIR CLEANER	1	
006	90003-ZM0-000	BOLT, FLANGE, 6X86 (CT200)	2	2441644
006	90003-ZM0-010	BOLT, FLANGE, 6X85 (CT200)	2	2441645
007	95701-0601408	BOLT, FLANGE, 6X14	1	2441541

GCV160LE(A4A9)

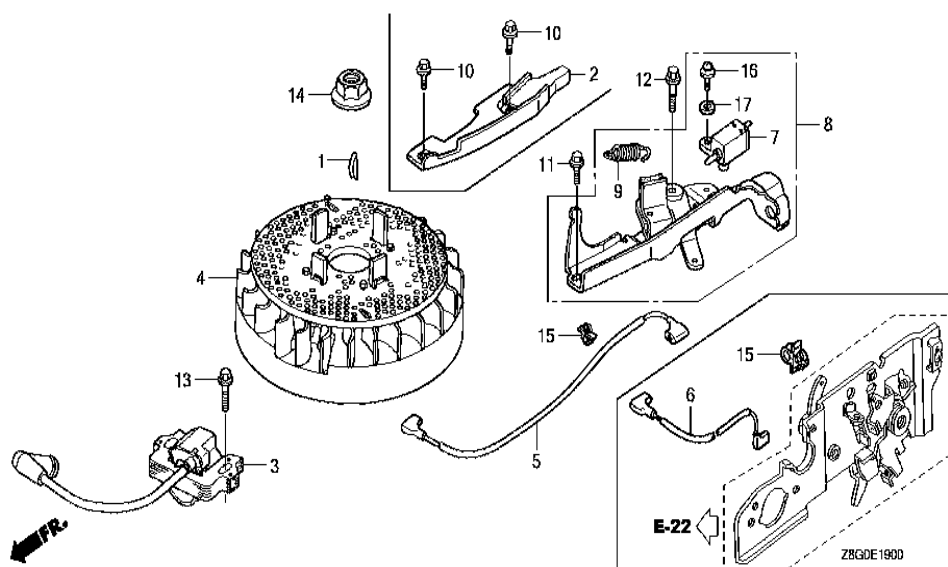
E-16 MUFFLER



Ref	Partnumber	Description	GCV160LE	Serial Numbers
001	18310-ZM0-000	MUFFLER COMP.	1	
002	18321-ZL8-000	PROTECTOR, MUFFLER	1	
003	18350-ZL8-000	ARRESTER COMP., SPARK	(1)	
004	18356-ZL8-000	PLATE, ARRESTER NUMBER	(1)	
005	18381-ZL8-305	GASKET, MUFFLER	(1)	
006	90004-ZL8-000	BOLT, FLANGE, 6X79 (CT200)	2	
007	90013-883-000	BOLT, FLANGE, 6X12 (CT200)	3	
008	90055-ZE1-000	SCREW, TAPPING, 4X6	(1)	

GCV160LE(A4A9)

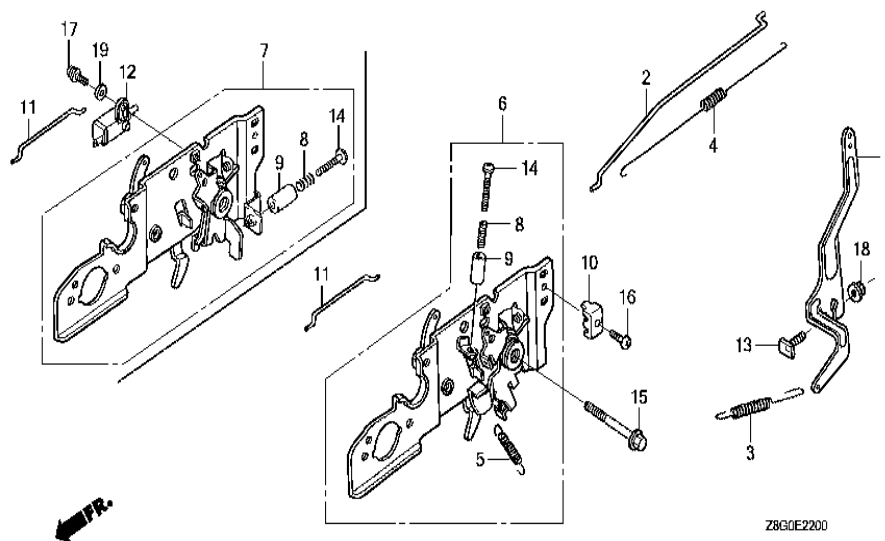
E-19 FLYWHEEL



<u>Ref</u>	<u>Partnumber</u>	<u>Description</u>	<u>GCV160LE</u>	<u>Serial Numbers</u>
001	13331-357-000	KEY, SPECIAL WOODRUFF, 25X18	1	
003	30500-ZL8-014	COIL ASSY., IGNITION (TEC) (USE FOR F/W	1	2250210
004	31105-ZM0-000	FLYWHEEL ASSY. (TEC) (USE FOR IGN. COIL	1	
005	32195-ZM0-000	CORD, STOP SWITCH	1	
007	35120-ZM0-003	SWITCH ASSY., ENGINE STOP (N.C)	1	
008	75100-ZM0-000	BRAKE ASSY.	1	
009	75113-ZM0-000	SPRING, BRAKE LEVER	1	
011	90014-952-000	BOLT, FLANGE, 6X14 (CT200)	1	
012	90018-ZE1-000	BOLT, FLANGE, 6X23 (CT200)	1	
013	90022-888-010	BOLT, FLANGE, 6X20 (CT200)	1	
014	90201-878-003	NUT, SPECIAL, 14MM	1	
015	90681-959-003	CLIP A, CABLE (NIFCO) (3.8MM BLACK)	1	
016	93892-0401200	SCREW-WASHER, 4X12	1	
<u>Ref</u>	<u>Partnumber</u>	<u>Description</u>	<u>GCV160LE</u>	<u>Serial Numbers</u>
017	94103-04000	WASHER, PLAIN, 4MM	1	

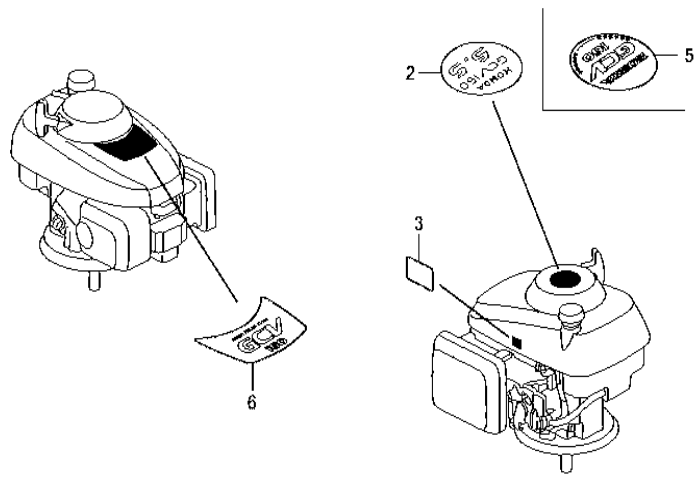
GCV160LE(A4A9)

E-22 CONTROL



<u>Ref</u>	<u>Partnumber</u>	<u>Description</u>	<u>GCV160LE</u>	<u>Serial Numbers</u>
001	16551-ZM0-010	ARM, GOVERNOR	1	
002	16555-ZM0-000	ROD, GOVERNOR	1	
003	16561-Z1L-870	SPRING, GOVERNOR	1	
004	16562-ZM0-000	SPRING, THROTTLE RETURN	1	
005	16576-ZE7-300	SPRING, LEVER	1	
006	16580-ZM0-872	BASE COMP., CONTROL	1	2352104
008	16584-883-300	SPRING, CONTROL ADJUSTING	1	
009	16599-ZG1-M10	COLLAR, STOPPER	1	
010	16617-VG3-000	HOLDER, CABLE	1	
011	16674-ZM0-000	ROD, CHOKE	1	
013	90015-ZE5-010	BOLT, GOVERNOR ARM	1	
014	90016-ZE7-W00	SCREW, RECESSED, 5X28	1	
015	90016-ZM0-000	BOLT, FLANGE, 6X45 (CT200)	1	
<u>Ref</u>	<u>Partnumber</u>	<u>Description</u>	<u>GCV160LE</u>	<u>Serial Numbers</u>
016	93500-050160A	SCREW, PAN, 5X16	1	
018	94050-06000	NUT, FLANGE, 6MM	1	

GCV160LE(A4A9)	E-28 LABEL
----------------	------------

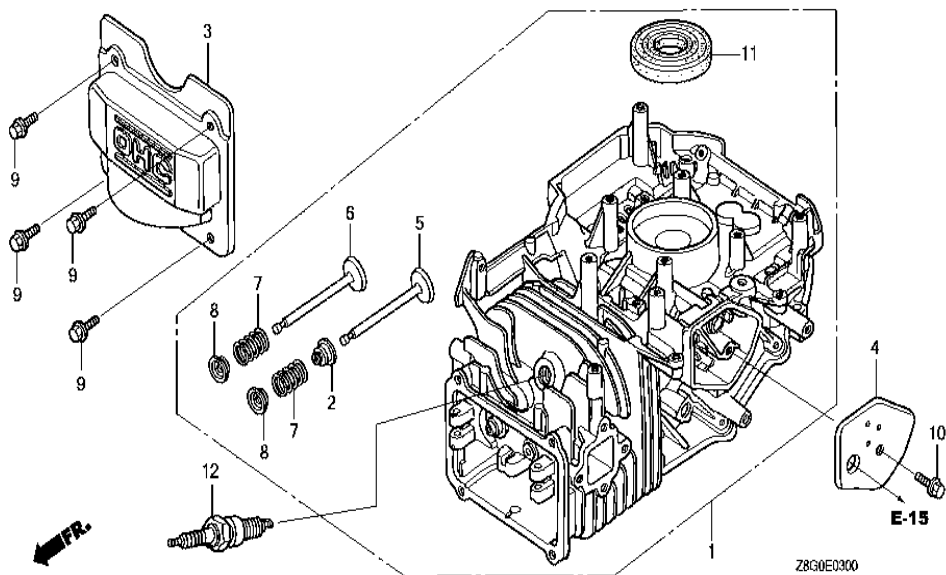


Z8G0E2800D

Ref	Partnumber	Description	GCV160LE	Serial Numbers
003	87114-ZH7-821	LABEL, WARNING (NOT CERTIFIED FOR SALE)	1	
006	87101-Z8B-000	MARK, EMBLEM (GCV160)	1	

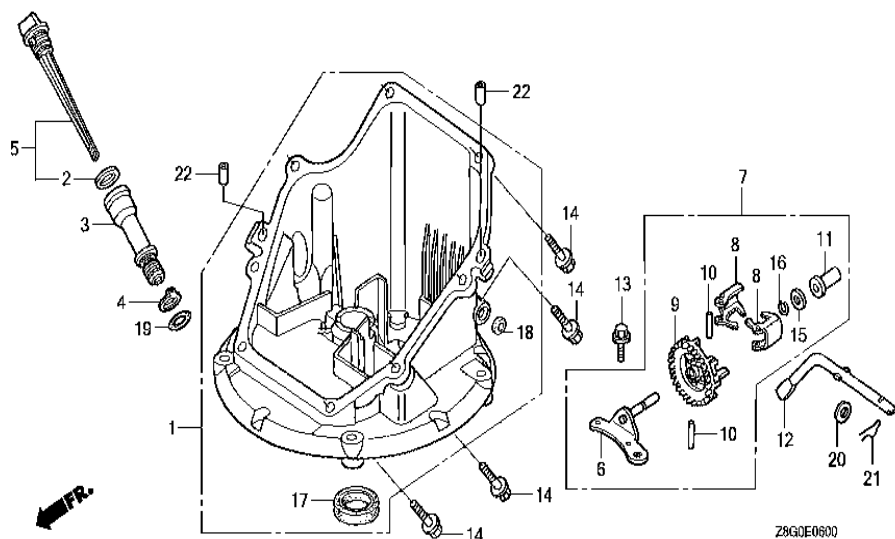
GCV160LE(A4A9)

E-3 CYLINDER BARREL



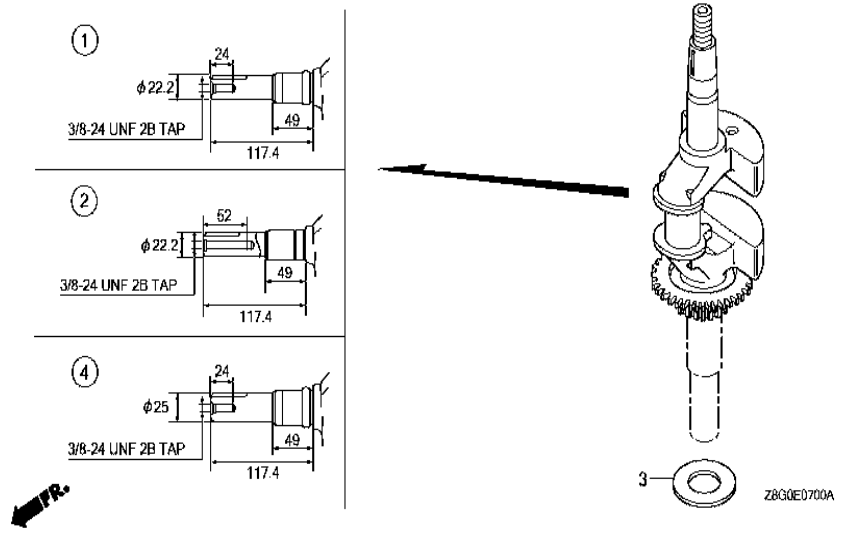
Ref	Partnumber	Description	GCV160LE	Serial Numbers
001	12000-ZL8-425	BARREL ASSY., CYLINDER	1	
002	12209-ZM0-003	SEAL, VALVE STEM	1	
003	12311-ZL8-000	COVER, HEAD	1	
004	12355-ZL8-000	COVER COMP., BREATHER	1	
005	14711-ZL8-000	VALVE, IN. (TECHNOSTAR)	1	
006	14721-ZL8-000	VALVE, EX. (L8E)	1	
007	14751-ZL8-000	SPRING, VALVE	2	
008	14771-ZE1-000	RETAINER, IN. VALVE SPRING	2	
009	90013-883-000	BOLT, FLANGE, 6X12 (CT200)	4	
010	90014-952-000	BOLT, FLANGE, 6X14 (CT200)	1	
011	91201-ZL8-003	OIL SEAL, 25.4X62X6	1	
012	98079-55846	PLUG, SPARK (BPR5ES) (NGK)	1	2218978
012	98079-56846	PLUG, SPARK (BPR6ES) (NGK)	1	2218977

GCV160LE(A4A9)	E-6 OIL PAN
----------------	-------------



<u>Ref</u>	<u>Partnumber</u>	<u>Description</u>	<u>GCV160LE</u>	<u>Serial Numbers</u>
001	11300-ZM0-405	PAN ASSY., OIL	1	
002	15625-ZE6-000	PACKING, OIL FILLER CAP	1	
003	15631-ZM0-000	EXTENSION, OIL FILLER	1	
004	15639-ZM0-000	WASHER, EXTENSION LOCK	1	
005	15650-ZOM-800	GAUGE ASSY., OIL LEVEL	1	
006	16508-ZM0-010	SHAFT COMP., GOVERNOR HOLDER	1	
007	16510-ZM0-010	GOVERNOR ASSY.	1	
008	16511-ZL8-000	WEIGHT, GOVERNOR	2	
009	16512-ZM0-000	HOLDER, GOVERNOR WEIGHT	1	
010	16513-ZE1-000	PIN, GOVERNOR WEIGHT	2	
011	16531-ZE1-000	SLIDER, GOVERNOR	1	
012	16541-ZM0-000	SHAFT, GOVERNOR ARM	1	
013	90014-952-000	BOLT, FLANGE, 6X14 (CT200)	1	
<u>Ref</u>	<u>Partnumber</u>	<u>Description</u>	<u>GCV160LE</u>	<u>Serial Numbers</u>
014	90121-952-000	BOLT, FLANGE, 6X25 (CT200)	8	
015	90451-ZE1-000	WASHER, THRUST, 6MM	1	
016	90602-ZE1-000	CLIP, GOVERNOR HOLDER	1	
017	91202-ZL8-003	OIL SEAL, 28X41.25X6	1	
019	91303-ZOM-003	O-RING, 14.8X2.4	1	
020	94101-06800	WASHER, PLAIN, 6MM	1	
021	94251-08000	PIN, LOCK, 8MM	1	
022	94301-08200	DOWEL PIN, 8X20	2	

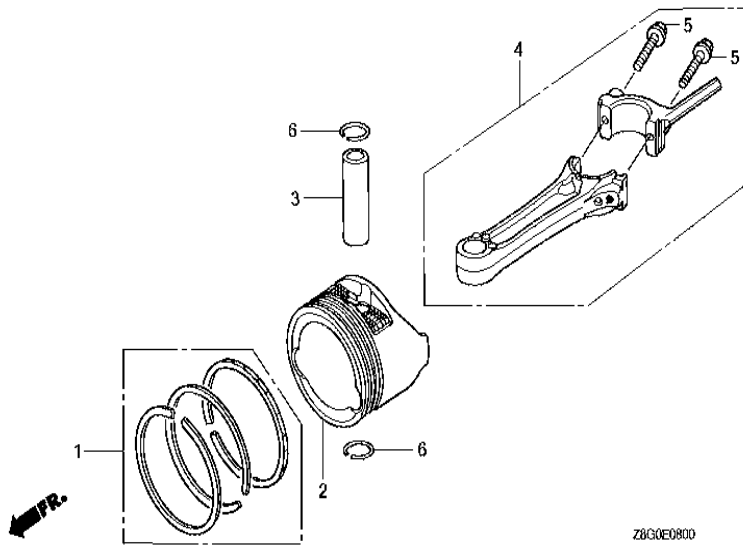
GCV160LE(A4A9)	E-7 CRANKSHAFT
----------------	----------------



Ref	Partnumber	Description	GCV160LE	Serial Numbers
003	90402-ZL8-000	WASHER, THRUST	1	
004	13310-ZM0-620	CRANKSHAFT COMP.	1	

GCV160LE(A4A9)

E-8 PISTON/CONNECTING ROD



Z8G0E0800

Ref	Partnumber	Description	GCV160LE	Serial Numbers
001	13010-ZOL-014	RING SET, PISTON (STD.) (TEIKOKU)	1	
002	13101-Z2A-010	PISTON	1	
003	13111-ZE0-000	PIN, PISTON	1	
004	13200-ZL8-000	ROD ASSY., CONNECTING	1	
005	90001-ZE1-000	BOLT, CONNECTING ROD	2	
006	90551-ZE0-000	CLIP, PISTON PIN, 13MM	2	