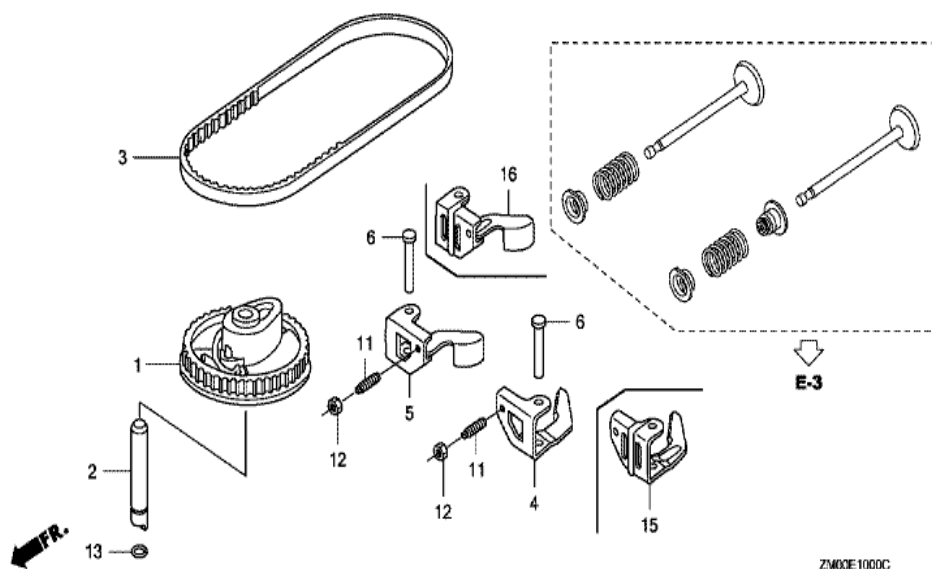
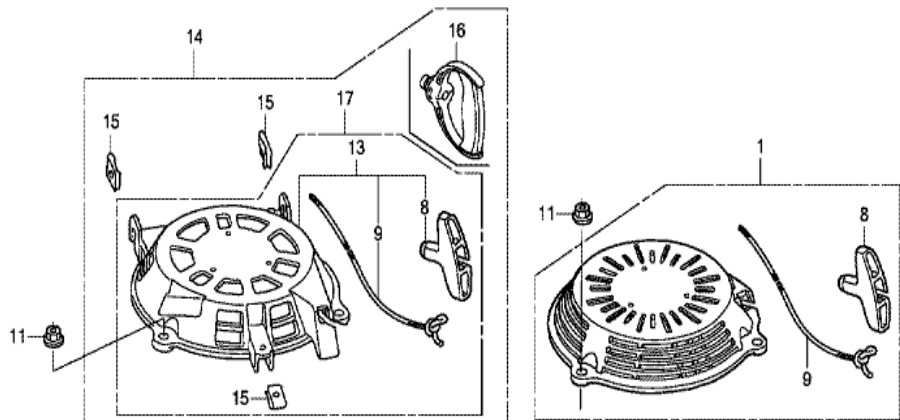


GCV160LE(A2A9)	E-10 CAMSHAFT PULLEY
----------------	----------------------



<u>Ref</u>	<u>Partnumber</u>	<u>Description</u>	<u>GCV160LE</u>	<u>Serial Numbers</u>
001	14320-ZL8-010	PULLEY COMP., CAMSHAFT	1	
001	14320-ZL8-010	PULLEY COMP., CAMSHAFT	1	
001	14320-ZL8-010	PULLEY COMP., CAMSHAFT	1	
001	14320-ZL8-010	PULLEY COMP., CAMSHAFT	1	
002	14324-ZL8-000	SHAFT, CAM PULLEY	1	
002	14324-ZL8-000	SHAFT, CAM PULLEY	1	
003	14400-ZL8-013	BELT, TIMING (84HU7 G-200)	1	
003	14400-ZL8-013	BELT, TIMING (84HU7 G-200)	1	
003	14400-ZL8-013	BELT, TIMING (84HU7 G-200)	1	
003	14400-ZL8-013	BELT, TIMING (84HU7 G-200)	1	
006	14461-ZL8-000	SHAFT, ROCKER ARM	2	
011	90012-333-000	SCREW, TAPPET ADJUSTING	2	
012	90206-001-000	NUT, TAPPET ADJUSTING	2	
<u>Ref</u>	<u>Partnumber</u>	<u>Description</u>	<u>GCV160LE</u>	<u>Serial Numbers</u>
013	91301-Z0M-003	O-RING, 6.8X1.9	1	
015	14431-Z0J-000	ARM, IN. VALVE ROCKER	1	
016	14441-Z0J-000	ARM, EX. VALVE ROCKER	1	

GCV160LE(A2A9)	E-11 RECOIL STARTER
----------------	---------------------

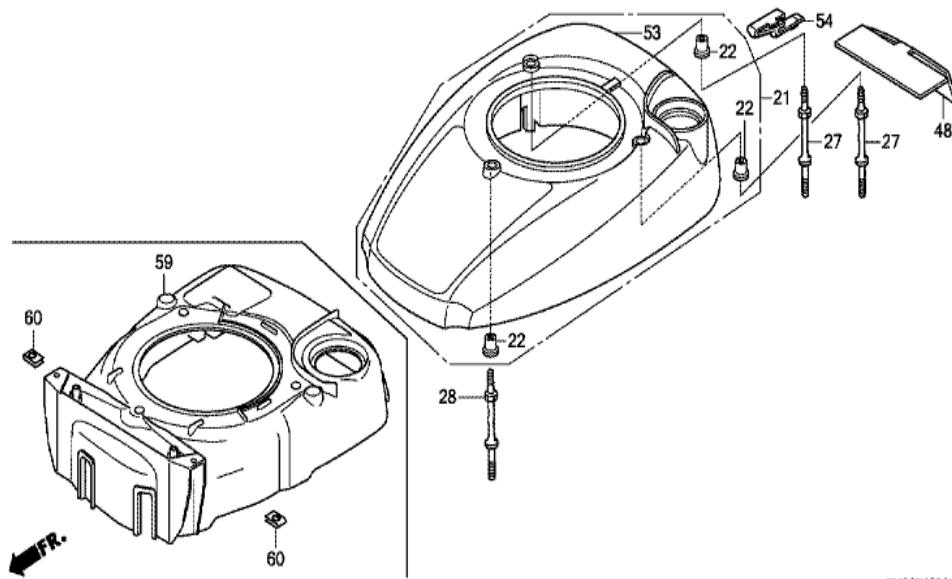


ZM0E1100J

Ref	Partnumber	Description	GCV160LE	Serial Numbers
001	28400-ZM0-633ZA	STARTER ASSY., RECOIL (LONG ROPE) *NH1*	1	
001	28400-ZM0-633ZA	STARTER ASSY., RECOIL (LONG ROPE) *NH1*	1	
001	28400-ZM0-633ZA	STARTER ASSY., RECOIL (LONG ROPE) *NH1*	1	
001	28400-ZM0-633ZA	STARTER ASSY., RECOIL (LONG ROPE) *NH1*	1	
001	28400-ZM0-633ZA	STARTER ASSY., RECOIL (LONG ROPE) *NH1*	1	
008	28461-ZL8-003	GRIP, STARTER	1	
009	28462-ZL8-631	ROPE, RECOIL STARTER (LONG TYPE)	1	3396966
009	28462-ZL8-631	ROPE, RECOIL STARTER (LONG TYPE)	1	
011	90201-ZM0-000	NUT, FLANGE, 6MM	3	

GCV160LE(A2A9)

E-12-1 FAN COVER (2)

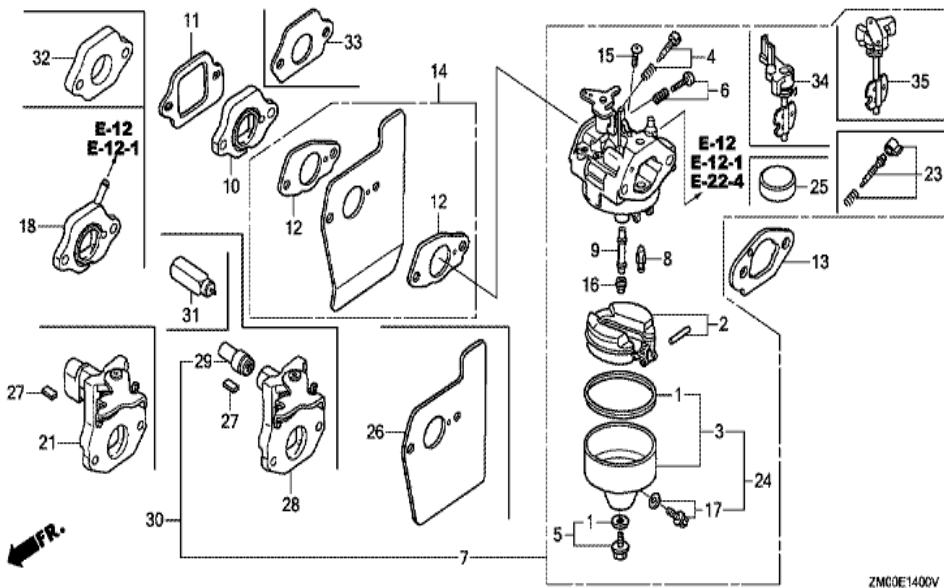


ZM00E1201H

Ref	Partnumber	Description	GCV160LE	Serial Numbers
003	16854-ZH8-000	RUBBER, SUPPORTER (107MM)	1	
005	16950-ZM0-003	COCK ASSY., FUEL	1	
007	16952-ZA8-800	STRAINER, FUEL	1	
007	16952-ZA8-800	STRAINER, FUEL	1	
007	16952-ZA8-800	STRAINER, FUEL	1	
009	17511-Z8B-800	TANK, FUEL	1	3406724
009	17511-Z8B-800	TANK, FUEL	1	3406724
010	17514-Z0L-000	SEAL, FUEL FILLER NECK	1	
011	17516-Z0L-000	CLIP, TANK MOUNTING	1	
012	17532-Z8B-800	RUBBER A, TANK MOUNTING	1	3406724
012	17532-Z8B-800	RUBBER A, TANK MOUNTING	1	3413208
013	17533-Z8B-800	RUBBER B, TANK MOUNTING	1	3406724
013	17533-Z8B-800	RUBBER B, TANK MOUNTING	1	3413208

<u>Ref</u>	<u>Partnumber</u>	<u>Description</u>	<u>GCV160LE</u>	<u>Serial Numbers</u>
014	17534-ZOL-000	NUT, TANK MOUNTING	1	
015	17620-ZOJ-800	CAP ASSY., FUEL TANK	1	
016	17636-ZOL-010	GAUGE, FUEL LEVEL	1	3406724
016	17636-ZOL-010	GAUGE, FUEL LEVEL	1	3406724
018	17701-ZOL-810	TUBE, FUEL TANK	1	
019	17702-ZM0-800	TUBE, FUEL	1	8028729
019	17702-ZM0-800	TUBE, FUEL	1	
019	17702-ZM0-800	TUBE, FUEL	1	
021	19610-ZOL-851ZA	COVER COMP., FAN *NH1*	1	6702083
021	19610-ZOL-851ZA	COVER COMP., FAN *NH1*	1	
022	19619-ZL8-300	COLLAR, FAN COVER	3	
023	33609-GK4-620	COLLAR, FR. WINKER	1	
027	90041-Z1L-000	BOLT, STUD	2	3176792
027	90043-ZL8-000	BOLT, STUD (H=42.5MM)	2	
027	90043-ZL8-000	BOLT, STUD (H=42.5MM)	2	
027	90043-ZL8-000	BOLT, STUD (H=42.5MM)	2	
027	90043-ZL8-000	BOLT, STUD (H=42.5MM)	2	
027	90043-ZL8-000	BOLT, STUD (H=42.5MM)	2	3176791
028	90041-Z1L-000	BOLT, STUD	1	3176792
028	90043-ZL8-000	BOLT, STUD (H=42.5MM)	1	6702082
028	90043-ZL8-000	BOLT, STUD (H=42.5MM)	1	
028	90043-ZL8-000	BOLT, STUD (H=42.5MM)	1	
028	90043-ZL8-000	BOLT, STUD (H=42.5MM)	1	
028	90043-ZL8-000	BOLT, STUD (H=42.5MM)	1	
028	90043-ZL8-000	BOLT, STUD (H=42.5MM)	1	
028	90043-ZL8-000	BOLT, STUD (H=42.5MM)	1	3176791
031	93891-0501008	SCREW-WASHER, 5X10	1	
037	95002-02080	CLIP, TUBE (B8)	2	
038	95002-02100	CLIP, TUBE (B10)	1	
045	95002-70000	CLIP, TUBE (C11)	1	
050	06175-Z8B-800	TANK KIT, FUEL	1	3406723
050	06175-Z8B-800	TANK KIT, FUEL	1	3413207

GCV160LE(A2A9)	E-14 CARBURETOR
----------------	-----------------



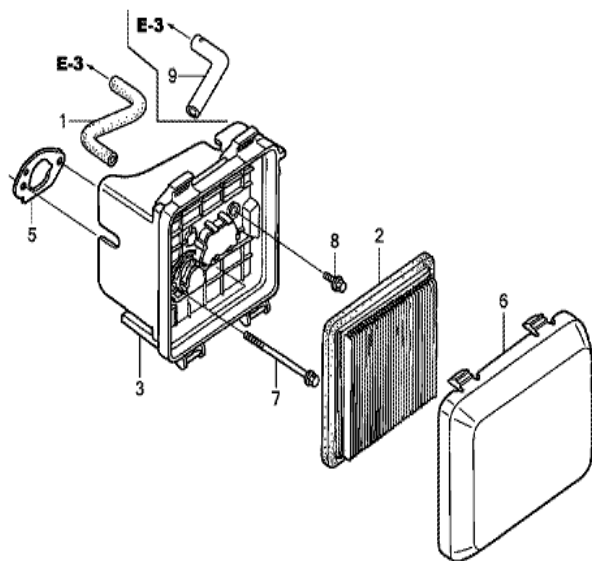
ZMG0E1400V

Ref	Partnumber	Description	GCV160LE	Serial Numbers
001	16010-883-015	PACKING SET	1	
002	16013-ZL1-003	FLOAT SET	1	
003	16015-887-782	CHAMBER SET, FLOAT	1	BB62Y A
003	16015-ZOL-881	CHAMBER SET, FLOAT	1	
003	16015-ZOL-881	CHAMBER SET, FLOAT	1	BB62W B
003	16015-ZOL-881	CHAMBER SET, FLOAT	1	BB65E B
003	16015-ZOL-881	CHAMBER SET, FLOAT	1	BB75D A
003	16015-ZOL-881	CHAMBER SET, FLOAT	1	BB75D A
005	16028-ZE0-005	SCREW SET	1	
006	16029-ZG0-901	SCREW SET (THROTTLE STOP)	1	
007	16100-ZOL-003	CARBURETOR ASSY. (BB62W A)	1	3020070
007	16100-ZOL-003	CARBURETOR ASSY. (BB62W A)	1	7055344
007	16100-ZOL-003	CARBURETOR ASSY. (BB62W A)	1	3020070

<u>Ref</u>	<u>Partnumber</u>	<u>Description</u>	<u>GCV160LE</u>	<u>Serial Numbers</u>
007	16100-ZOL-013	CARBURETOR ASSY. (BB62W B)	1	3273291
007	16100-ZOL-013	CARBURETOR ASSY. (BB62W B)	1	3020071 3273291
007	16100-ZOL-013	CARBURETOR ASSY. (BB62W B)	1	3020071 3273291
007	16100-ZOL-023	CARBURETOR ASSY. (BB62W C)	1	3273292
007	16100-ZOL-023	CARBURETOR ASSY. (BB62W C)	1	2532400
007	16100-ZOL-023	CARBURETOR ASSY. (BB62W C)	1	3273292
007	16100-ZOL-023	CARBURETOR ASSY. (BB62W C)	1	3273292
008	16155-ZM0-013	VALVE, FLOAT	1	BB62B E
008	16155-ZM0-013	VALVE, FLOAT	1	
009	16166-ZM0-003	NOZZLE, MAIN	1	
009	16166-ZM0-003	NOZZLE, MAIN	1	
009	16166-ZM0-003	NOZZLE, MAIN	1	
009	16166-ZM0-003	NOZZLE, MAIN	1	
009	16166-ZM0-003	NOZZLE, MAIN	1	
009	16166-ZM0-003	NOZZLE, MAIN	1	
010	16211-ZL8-000	INSULATOR, CARBURETOR	1	
010	16211-ZL8-000	INSULATOR, CARBURETOR	1	
010	16211-ZL8-000	INSULATOR, CARBURETOR	1	
011	16212-ZL8-000	PACKING, INSULATOR	1	
012	16221-883-800	PACKING, CARBURETOR	2	
012	16221-883-800	PACKING, CARBURETOR	2	2441644
013	16228-ZL8-000	PACKING, CARBURETOR	1	
013	16228-ZL8-000	PACKING, CARBURETOR	1	
014	19650-ZM0-000	GUIDE COMP., AIR	1	
014	19650-ZM0-000	GUIDE COMP., AIR	1	2441644
015	93500-050061H	SCREW, PAN, 5X6	1	
016	99101-1240600	JET, MAIN, #60	(1)	
016	99101-1240600	JET, MAIN, #60	(1)	BB65K A
016	99101-1240600	JET, MAIN, #60	(1)	
016	99101-1240620	JET, MAIN, #62	(1)	BB75E A
016	99101-1240620	JET, MAIN, #62	(1)	
016	99101-1240620	JET, MAIN, #62	(1)	BB75E A
016	99101-1240620	JET, MAIN, #62	(1)	
<u>Ref</u>	<u>Partnumber</u>	<u>Description</u>	<u>GCV160LE</u>	<u>Serial Numbers</u>
016	99101-1240620	JET, MAIN, #62	(1)	BB75E A
016	99101-1240650	JET, MAIN, #65	1	BB65K A
016	99101-1240650	JET, MAIN, #65	1	
016	99101-1240650	JET, MAIN, #65	1	BB65K A
016	99101-1240650	JET, MAIN, #65	1	
016	99101-1240650	JET, MAIN, #65	1	BB65A C
017	16024-ZE1-811	SCREW SET, DRAIN	1	
017	16024-ZE1-811	SCREW SET, DRAIN	1	BB62W A
023	16016-ZG0-W00	SCREW SET	1	
024	16015-887-782	CHAMBER SET, FLOAT	1	BB62W A
026	19651-ZOL-000	GUIDE, AIR	1	
026	19651-ZOL-000	GUIDE, AIR	1	2441645

GCV160LE(A2A9)

E-15 AIR CLEANER



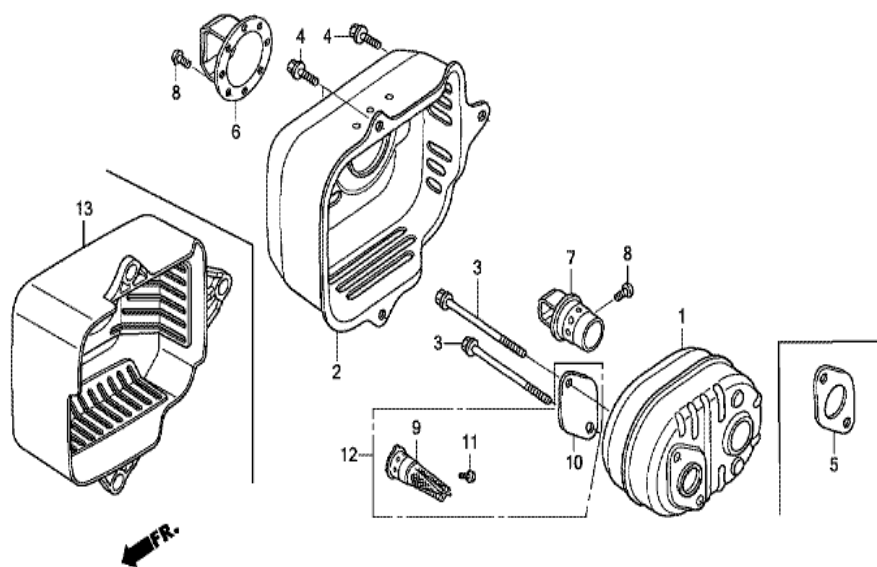
ZM0E1500B

Ref	Partnumber	Description	GCV160LE	Serial Numbers
001	15721-ZM0-000	TUBE, BREATHER	1	
001	15721-ZM0-000	TUBE, BREATHER	1	
002	17211-ZL8-023	ELEMENT, AIR CLEANER (TOYO ROKI)	1	
002	17211-ZL8-023	ELEMENT, AIR CLEANER (TOYO ROKI)	1	
002	17211-ZL8-023	ELEMENT, AIR CLEANER (TOYO ROKI)	1	
002	17211-ZL8-023	ELEMENT, AIR CLEANER (TOYO ROKI)	1	
003	17220-ZM0-000	CASE ASSY., AIR CLEANER	1	
003	17220-ZM0-000	CASE ASSY., AIR CLEANER	1	
003	17220-ZM0-000	CASE ASSY., AIR CLEANER	1	
003	17220-ZM0-000	CASE ASSY., AIR CLEANER	1	2441541
003	17220-ZM0-000	CASE ASSY., AIR CLEANER	1	2441541
003	17220-ZM0-010	CASE ASSY., AIR CLEANER	1	6624356
003	17220-ZM0-010	CASE ASSY., AIR CLEANER	1	1079019

<u>Ref</u>	<u>Partnumber</u>	<u>Description</u>	<u>GCV160LE</u>	<u>Serial Numbers</u>	
003	17220-ZM0-010	CASE ASSY., AIR CLEANER	1		
003	17220-ZM0-010	CASE ASSY., AIR CLEANER	1	2441542	3091165
003	17220-ZM0-010	CASE ASSY., AIR CLEANER	1	2441542	3091165
003	17220-ZM0-030	CASE ASSY., AIR CLEANER	1		1827257
003	17220-ZM0-030	CASE ASSY., AIR CLEANER	1	3091166	
005	17228-ZM0-000	PACKING, AIR CLEANER	1		
005	17228-ZM0-000	PACKING, AIR CLEANER	1		
005	17228-ZM0-000	PACKING, AIR CLEANER	1		
005	17228-ZM0-000	PACKING, AIR CLEANER	1		
005	17228-ZM0-000	PACKING, AIR CLEANER	1		
006	17231-ZOL-030	COVER, AIR CLEANER	1		
006	17231-ZOL-030	COVER, AIR CLEANER	1		1117443
007	90003-ZM0-000	BOLT, FLANGE, 6X86 (CT200)	2		
007	90003-ZM0-000	BOLT, FLANGE, 6X86 (CT200)	2		
007	90003-ZM0-000	BOLT, FLANGE, 6X86 (CT200)	2		
007	90003-ZM0-000	BOLT, FLANGE, 6X86 (CT200)	2		2441644
007	90003-ZM0-000	BOLT, FLANGE, 6X86 (CT200)	2		2441644
007	90003-ZM0-010	BOLT, FLANGE, 6X85 (CT200)	2		
007	90003-ZM0-010	BOLT, FLANGE, 6X85 (CT200)	2		
007	90003-ZM0-010	BOLT, FLANGE, 6X85 (CT200)	2		
007	90003-ZM0-010	BOLT, FLANGE, 6X85 (CT200)	2	2441645	
007	90003-ZM0-010	BOLT, FLANGE, 6X85 (CT200)	2	2441645	
008	95701-0601408	BOLT, FLANGE, 6X14	1		
008	95701-0601408	BOLT, FLANGE, 6X14	1		2441541



GCV160LE(A2A9)	E-16 MUFFLER
----------------	--------------

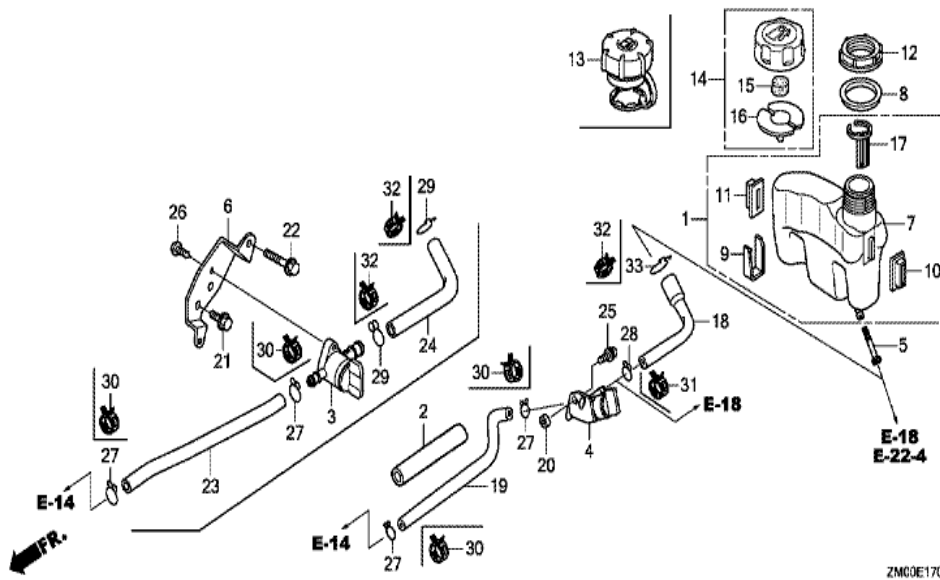


ZM00E16003

<u>Ref</u>	<u>Partnumber</u>	<u>Description</u>	<u>GCV160LE</u>	<u>Serial Numbers</u>
001	18310-ZM0-000	MUFFLER COMP.	1	
001	18310-ZM0-000	MUFFLER COMP.	1	
001	18310-ZM0-000	MUFFLER COMP.	1	
002	18321-ZL8-000	PROTECTOR, MUFFLER	1	
002	18321-ZL8-000	PROTECTOR, MUFFLER	1	
002	18321-ZL8-000	PROTECTOR, MUFFLER	1	
003	90004-ZL8-000	BOLT, FLANGE, 6X79 (CT200)	2	
003	90004-ZL8-000	BOLT, FLANGE, 6X79 (CT200)	2	
004	90013-883-000	BOLT, FLANGE, 6X12 (CT200)	3	
005	18381-ZL8-305	GASKET, MUFFLER	1	
005	18381-ZL8-305	GASKET, MUFFLER	(1)	
009	18350-ZL8-000	ARRESTER COMP., SPARK	1	
009	18350-ZL8-000	ARRESTER COMP., SPARK	(1)	
<u>Ref</u>	<u>Partnumber</u>	<u>Description</u>	<u>GCV160LE</u>	<u>Serial Numbers</u>
010	18356-ZL8-000	PLATE, ARRESTER NUMBER	(1)	
011	90055-ZE1-000	SCREW, TAPPING, 4X6	1	
011	90055-ZE1-000	SCREW, TAPPING, 4X6	(1)	

GCV160LE(A2A9)

E-17 FUEL TANK

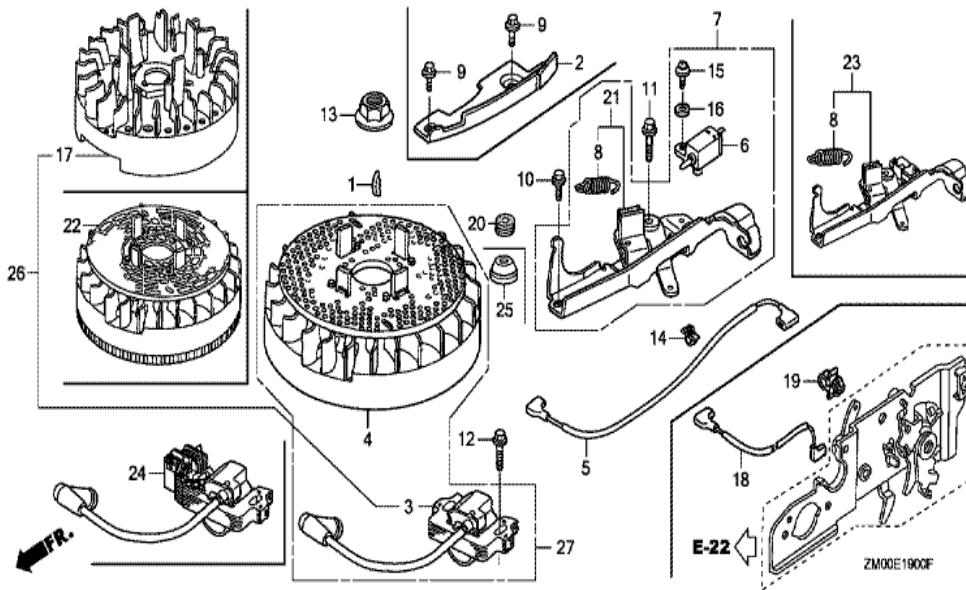


ZM00E1700

Ref	Partnumber	Description	GCV160LE	Serial Numbers
001	06175-Z8B-800	TANK KIT, FUEL	1	3406723
002	16854-ZH8-000	RUBBER, SUPPORTER (107MM)	1	
004	16950-ZM0-003	COCK ASSY., FUEL	1	
005	16952-ZA8-800	STRAINER, FUEL	1	
005	16952-ZA8-800	STRAINER, FUEL	1	
007	17511-Z8B-800	TANK, FUEL	1	3116718
007	17511-Z8B-800	TANK, FUEL	1	3406724
008	17514-Z0L-000	SEAL, FUEL FILLER NECK	1	
009	17516-Z0L-000	CLIP, TANK MOUNTING	1	
010	17532-Z8B-800	RUBBER A, TANK MOUNTING	1	3116718
010	17532-Z8B-800	RUBBER A, TANK MOUNTING	1	3406724
011	17533-Z8B-800	RUBBER B, TANK MOUNTING	1	3116718
011	17533-Z8B-800	RUBBER B, TANK MOUNTING	1	3406724
Ref	Partnumber	Description	GCV160LE	Serial Numbers
012	17534-Z0L-000	NUT, TANK MOUNTING	1	
013	17620-Z0J-800	CAP ASSY., FUEL TANK	1	
017	17636-Z0L-010	GAUGE, FUEL LEVEL	1	1851726
017	17636-Z0L-010	GAUGE, FUEL LEVEL	1	3406724
018	17701-Z0L-810	TUBE, FUEL TANK	1	
019	17702-ZM0-800	TUBE, FUEL	1	
020	33609-GK4-620	COLLAR, FR. WINKER	1	
025	93891-0501008	SCREW-WASHER, 5X10	1	
027	95002-02080	CLIP, TUBE (B8)	2	
028	95002-02100	CLIP, TUBE (B10)	1	
033	95002-70000	CLIP, TUBE (C11)	1	

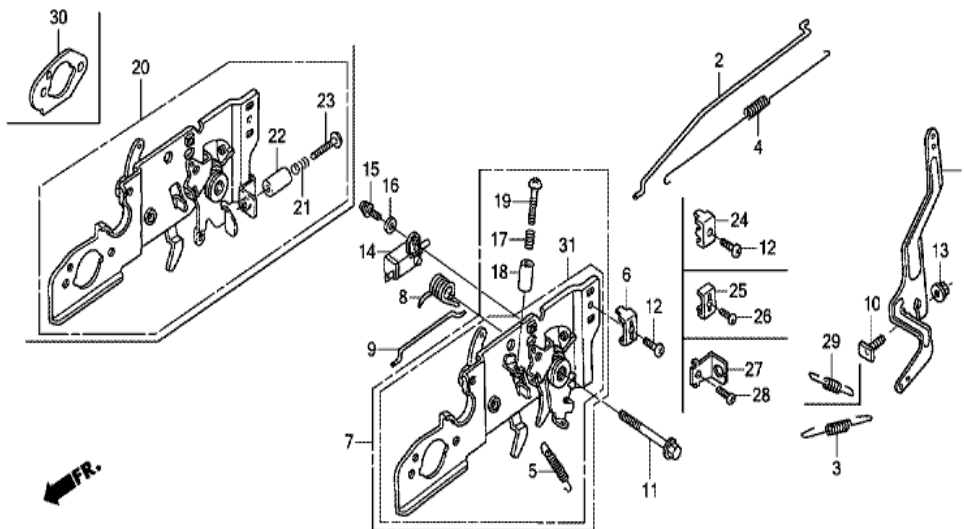
GCV160LE(A2A9)

E-19 FLYWHEEL (1)



Ref	Partnumber	Description	GCV160LE	Serial Numbers
001	13331-357-000	KEY, SPECIAL WOODRUFF, 25X18	1	
003	30500-ZL8-004	COIL ASSY., IGNITION (TEC) (USE FOR F/W	1	
003	30500-ZL8-004	COIL ASSY., IGNITION (TEC) (USE FOR F/W	1	2250209
003	30500-ZL8-014	COIL ASSY., IGNITION (TEC) (USE FOR F/W	1	
003	30500-ZL8-014	COIL ASSY., IGNITION (TEC) (USE FOR F/W	1	2250210
004	31105-ZM0-000	FLYWHEEL ASSY. (TEC) (USE FOR IGN. COIL	1	
004	31105-ZM0-000	FLYWHEEL ASSY. (TEC) (USE FOR IGN. COIL	1	
005	32195-ZM0-000	CORD, STOP SWITCH	1	
005	32195-ZM0-000	CORD, STOP SWITCH	1	
006	35120-ZM0-003	SWITCH ASSY., ENGINE STOP (N.C)	1	
007	75100-Z1L-000	BRAKE ASSY.	1	3217935
007	75100-Z1L-000	BRAKE ASSY.	1	3238210
007	75100-Z1L-000	BRAKE ASSY.	1	3238210
Ref	Partnumber	Description	GCV160LE	Serial Numbers
007	75100-ZM0-000	BRAKE ASSY.	1	
007	75100-ZM0-000	BRAKE ASSY.	1	
007	75100-ZM0-000	BRAKE ASSY.	1	3217934
007	75100-ZM0-000	BRAKE ASSY.	1	3238209
007	75100-ZM0-000	BRAKE ASSY.	1	3238209
008	75113-ZM0-000	SPRING, BRAKE LEVER	1	
010	90014-952-000	BOLT, FLANGE, 6X14 (CT200)	1	
011	90018-ZE1-000	BOLT, FLANGE, 6X23 (CT200)	1	
011	90018-ZE1-000	BOLT, FLANGE, 6X23 (CT200)	1	
012	90022-888-010	BOLT, FLANGE, 6X20 (CT200)	1	6702082
012	90022-888-010	BOLT, FLANGE, 6X20 (CT200)	1	
012	90022-888-010	BOLT, FLANGE, 6X20 (CT200)	1	
013	90201-878-003	NUT, SPECIAL, 14MM	1	
014	90681-959-003	CLIP A, CABLE (NIFCO) (3.8MM BLACK)	1	
014	90681-959-003	CLIP A, CABLE (NIFCO) (3.8MM BLACK)	1	
015	93892-0401200	SCREW-WASHER, 4X12	1	
016	94103-04000	WASHER, PLAIN, 4MM	1	

GCV160LE(A2A9)	E-22 CONTROL (1)
----------------	------------------



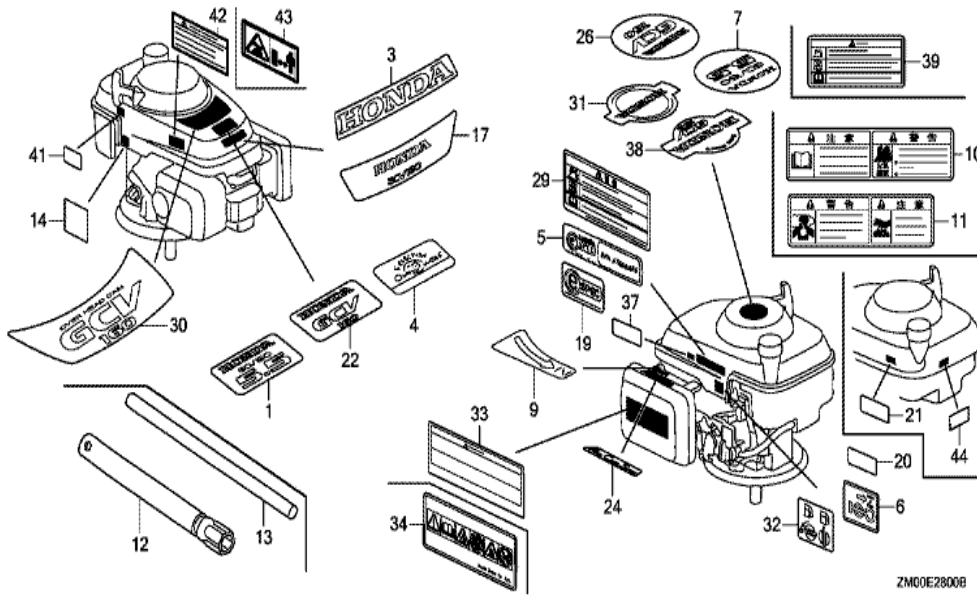
ZM0E2200K

Ref	Partnumber	Description	GCV160LE	Serial Numbers	
001	16551-ZM0-010	ARM, GOVERNOR	1		
001	16551-ZM0-010	ARM, GOVERNOR	1		
002	16555-ZM0-000	ROD, GOVERNOR	1		
002	16555-ZM0-000	ROD, GOVERNOR	1		
003	16561-Z1L-870	SPRING, GOVERNOR	1		
003	16561-Z1L-870	SPRING, GOVERNOR	1		
004	16562-ZM0-000	SPRING, THROTTLE RETURN	1		
004	16562-ZM0-000	SPRING, THROTTLE RETURN	1		
005	16576-ZE7-300	SPRING, LEVER	1		
007	16580-Z0M-870	BASE COMP., CONTROL	1	2511562	3135603
007	16580-Z0M-870	BASE COMP., CONTROL	1	2511562	3135603
007	16580-ZM0-871	BASE COMP., CONTROL	1		2352103
007	16580-ZM0-871	BASE COMP., CONTROL	1		

<u>Ref</u>	<u>Partnumber</u>	<u>Description</u>	<u>GCV160LE</u>	<u>Serial Numbers</u>
007	16580-ZM0-871	BASE COMP., CONTROL	1	
007	16580-ZM0-871	BASE COMP., CONTROL	1	2352103
007	16580-ZM0-872	BASE COMP., CONTROL	1	2352104
007	16580-ZM0-872	BASE COMP., CONTROL	1	
007	16580-ZM0-872	BASE COMP., CONTROL	1	2352104
007	16580-ZM0-872	BASE COMP., CONTROL	1	2352104 2511561
009	16674-ZM0-000	ROD, CHOKE	1	
010	90015-ZE5-010	BOLT, GOVERNOR ARM	1	
011	90016-ZM0-000	BOLT, FLANGE, 6X45 (CT200)	1	
011	90016-ZM0-000	BOLT, FLANGE, 6X45 (CT200)	1	
011	90016-ZM0-000	BOLT, FLANGE, 6X45 (CT200)	1	
011	90016-ZM0-000	BOLT, FLANGE, 6X45 (CT200)	1	3176791
012	93500-050160A	SCREW, PAN, 5X16	1	
013	94050-06000	NUT, FLANGE, 6MM	1	
017	16584-883-300	SPRING, CONTROL ADJUSTING	1	
018	16599-ZG1-M10	COLLAR, STOPPER	1	
019	90016-ZE7-W00	SCREW, RECESSED, 5X28	1	
024	16617-VG3-000	HOLDER, CABLE	1	
031	16580-Z0M-000	BASE COMP., CONTROL	1	
031	16580-Z0M-000	BASE COMP., CONTROL	1	3135604
031	16580-Z0M-000	BASE COMP., CONTROL	1	3135604
031	16580-Z0M-000	BASE COMP., CONTROL	1	
031	16580-Z0M-000	BASE COMP., CONTROL	1	3135604

GCV160LE(A2A9)

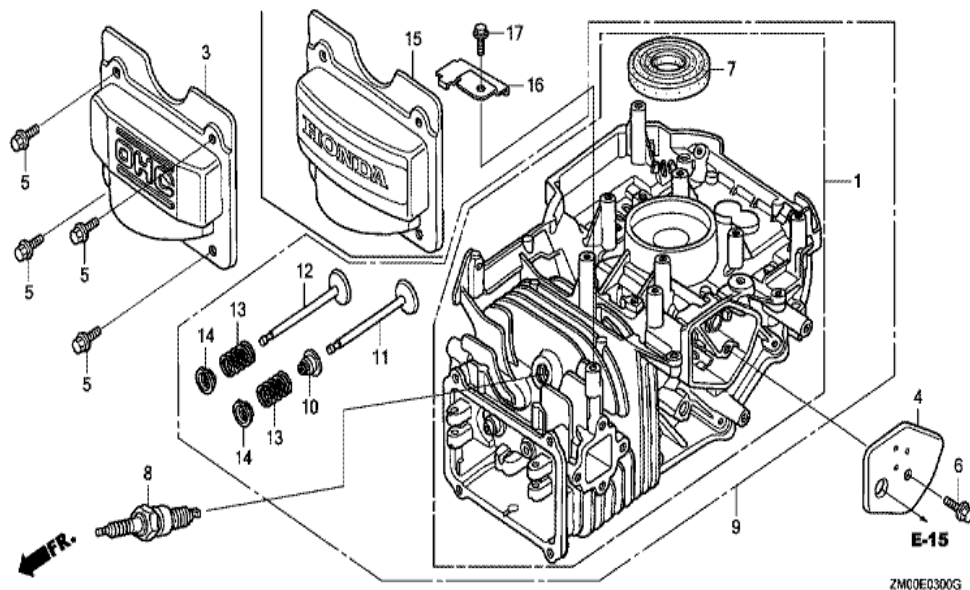
E-28 LABEL/TOOL



Ref	Partnumber	Description	GCV160LE	Serial Numbers
020	87114-ZH7-821	LABEL, WARNING (NOT CERTIFIED FOR SALE)	1	2075803
020	87114-ZH7-821	LABEL, WARNING (NOT CERTIFIED FOR SALE)	1	
030	87101-Z8B-000	MARK, EMBLEM (GCV160)	1	
032	87524-Z8B-000	MARK, FUEL COCK CAUTION	1	

GCV160LE(A2A9)

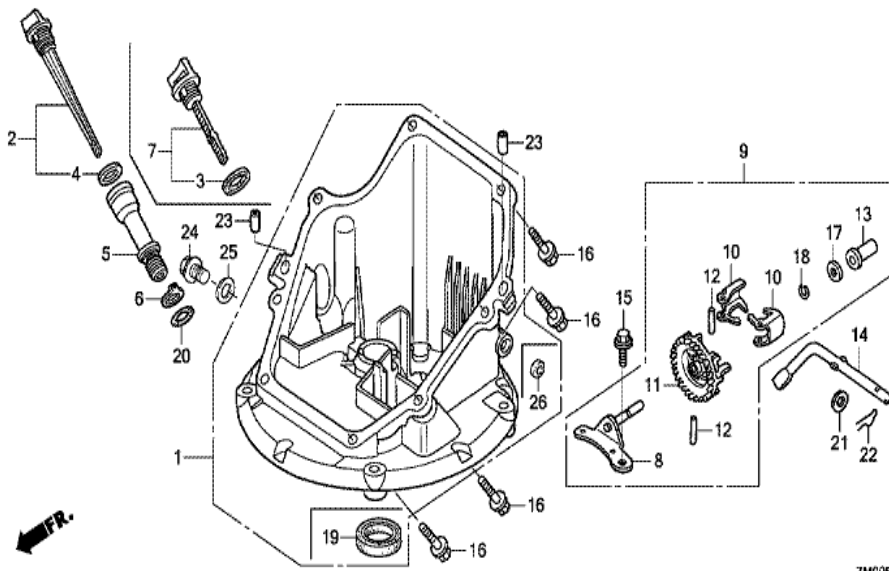
E-3 CYLINDER BARREL



Ref	Partnumber	Description	GCV160LE	Serial Numbers
001	12000-Z1L-405	BARREL ASSY., CYLINDER	1	3039946
001	12000-Z1L-405	BARREL ASSY., CYLINDER	1	3039946
003	12311-ZL8-000	COVER, HEAD	1	
003	12311-ZL8-000	COVER, HEAD	1	
004	12355-ZL8-000	COVER COMP., BREATHER	1	
005	90013-883-000	BOLT, FLANGE, 6X12 (CT200)	4	
006	90014-952-000	BOLT, FLANGE, 6X14 (CT200)	1	
007	91201-ZL8-003	OIL SEAL, 25.4X62X6	1	
007	91201-ZL8-003	OIL SEAL, 25.4X62X6	1	
008	98079-55846	PLUG, SPARK (BPR5ES) (NGK)	1	
008	98079-55846	PLUG, SPARK (BPR5ES) (NGK)	1	2218978
008	98079-56846	PLUG, SPARK (BPR6ES) (NGK)	1	
008	98079-56846	PLUG, SPARK (BPR6ES) (NGK)	1	2218977
<u>Ref</u>	<u>Partnumber</u>	<u>Description</u>	<u>GCV160LE</u>	<u>Serial Numbers</u>
008	98079-56846	PLUG, SPARK (BPR6ES) (NGK)	1	2218977
009	12000-ZL8-425	BARREL ASSY., CYLINDER	1	
009	12000-ZL8-425	BARREL ASSY., CYLINDER	1	3039945
009	12000-ZL8-425	BARREL ASSY., CYLINDER	1	3360946
010	12209-ZM0-003	SEAL, VALVE STEM	1	
010	12209-ZM0-003	SEAL, VALVE STEM	1	
011	14711-ZL8-000	VALVE, IN. (TECHNOSTAR)	1	
011	14711-ZL8-000	VALVE, IN. (TECHNOSTAR)	1	
012	14721-ZL8-000	VALVE, EX. (L8E)	1	
012	14721-ZL8-000	VALVE, EX. (L8E)	1	
013	14751-ZL8-000	SPRING, VALVE	2	
014	14771-ZE1-000	RETAINER, IN. VALVE SPRING	2	
014	14771-ZE1-000	RETAINER, IN. VALVE SPRING	2	

GCV160LE(A2A9)

E-6 OIL PAN



ZM0E0600E

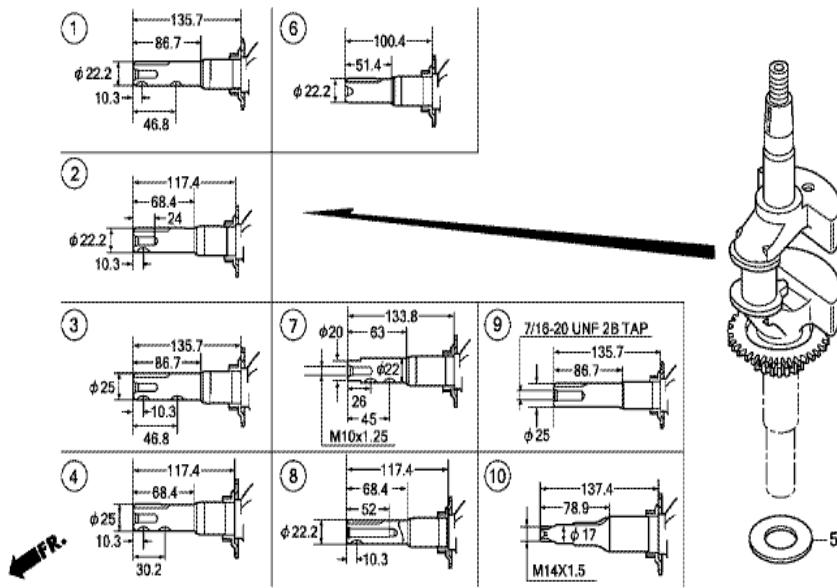
Ref	Partnumber	Description	GCV160LE	Serial Numbers
001	11300-ZM0-405	PAN ASSY., OIL	1	
001	11300-ZM0-405	PAN ASSY., OIL	1	1212768
002	15650-ZOM-800	GAUGE ASSY., OIL LEVEL	1	
002	15650-ZOM-800	GAUGE ASSY., OIL LEVEL	1	
004	15625-ZE6-000	PACKING, OIL FILLER CAP	1	
005	15631-ZM0-000	EXTENSION, OIL FILLER	1	
005	15631-ZM0-000	EXTENSION, OIL FILLER	1	
006	15639-ZM0-000	WASHER, EXTENSION LOCK	1	
008	16508-ZM0-010	SHAFT COMP., GOVERNOR HOLDER	1	
008	16508-ZM0-010	SHAFT COMP., GOVERNOR HOLDER	1	
008	16508-ZM0-010	SHAFT COMP., GOVERNOR HOLDER	1	
009	16510-ZM0-010	GOVERNOR ASSY.	1	
009	16510-ZM0-010	GOVERNOR ASSY.	1	



<u>Ref</u>	<u>Partnumber</u>	<u>Description</u>	<u>GCV160LE</u>	<u>Serial Numbers</u>
009	16510-ZM0-010	GOVERNOR ASSY.	1	
010	16511-ZL8-000	WEIGHT, GOVERNOR	2	
010	16511-ZL8-000	WEIGHT, GOVERNOR	2	
011	16512-ZM0-000	HOLDER, GOVERNOR WEIGHT	1	
011	16512-ZM0-000	HOLDER, GOVERNOR WEIGHT	1	
012	16513-ZE1-000	PIN, GOVERNOR WEIGHT	2	
013	16531-ZE1-000	SLIDER, GOVERNOR	1	
013	16531-ZE1-000	SLIDER, GOVERNOR	1	
014	16541-ZM0-000	SHAFT, GOVERNOR ARM	1	
014	16541-ZM0-000	SHAFT, GOVERNOR ARM	1	
014	16541-ZM0-000	SHAFT, GOVERNOR ARM	1	
015	90014-952-000	BOLT, FLANGE, 6X14 (CT200)	1	
016	90026-Z1L-000	BOLT, FLANGE, 6X26	8	3336252
016	90026-Z1L-000	BOLT, FLANGE, 6X26	8	3336252
016	90121-952-000	BOLT, FLANGE, 6X25 (CT200)	8	
016	90121-952-000	BOLT, FLANGE, 6X25 (CT200)	8	3336251
017	90451-ZE1-000	WASHER, THRUST, 6MM	1	
017	90451-ZE1-000	WASHER, THRUST, 6MM	1	
018	90602-ZE1-000	CLIP, GOVERNOR HOLDER	1	
018	90602-ZE1-000	CLIP, GOVERNOR HOLDER	1	
019	91202-ZL8-003	OIL SEAL, 28X41.25X6	1	
020	91303-ZOM-003	O-RING, 14.8X2.4	1	
020	91303-ZOM-003	O-RING, 14.8X2.4	1	
021	94101-06800	WASHER, PLAIN, 6MM	1	
022	94251-08000	PIN, LOCK, 8MM	1	
023	94301-08200	DOWEL PIN, 8X20	2	
023	94301-08200	DOWEL PIN, 8X20	2	

GCV160LE(A2A9)

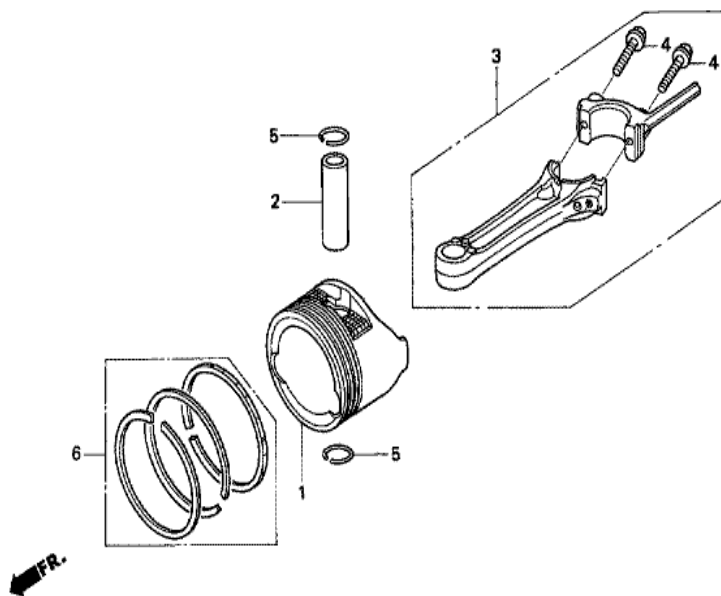
E-7 CRANKSHAFT (1)



ZM0E0700J

Ref	Partnumber	Description	GCV160LE	Serial Numbers
002	13310-ZM0-600	CRANKSHAFT COMP.	1	
002	13310-ZM0-600	CRANKSHAFT COMP.	1	1892735
005	90402-ZL8-000	WASHER, THRUST	1	

GCV160LE(A2A9)	E-8 PISTON/CONNECTING ROD
----------------	---------------------------



ZM00-B0800A

Ref	Partnumber	Description	GCV160LE	Serial Numbers
001	13101-Z2A-010	PISTON	1	5383515
001	13101-Z2A-010	PISTON	1	3406723
001	13101-Z2A-010	PISTON	1	3406723
001	13101-Z8B-820	PISTON	1	3406724
001	13101-Z8B-820	PISTON	1	3406724
002	13111-Z1L-000	PIN, PISTON	1	3406724
002	13111-Z1L-000	PIN, PISTON	1	3406724
002	13111-ZE0-000	PIN, PISTON	1	
002	13111-ZE0-000	PIN, PISTON	1	
002	13111-ZE0-000	PIN, PISTON	1	3406723
003	13200-ZL8-000	ROD ASSY., CONNECTING	1	
004	90001-ZE1-000	BOLT, CONNECTING ROD	2	
004	90001-ZE1-000	BOLT, CONNECTING ROD	2	
Ref	Partnumber	Description	GCV160LE	Serial Numbers
005	90551-ZE0-000	CLIP, PISTON PIN, 13MM	2	
006	13010-Z0L-014	RING SET, PISTON (STD.) (TEIKOKU)	1	2033979
006	13010-Z0L-014	RING SET, PISTON (STD.) (TEIKOKU)	1	