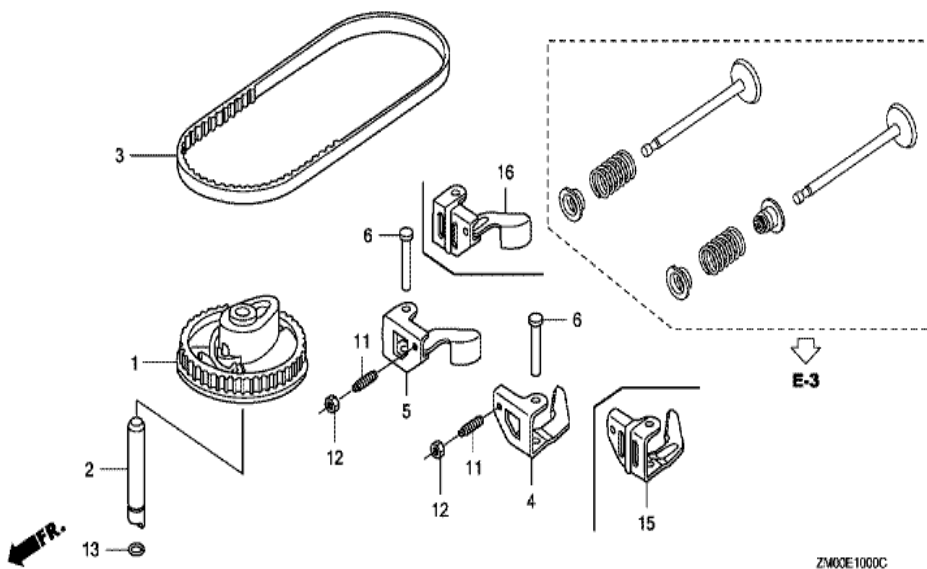
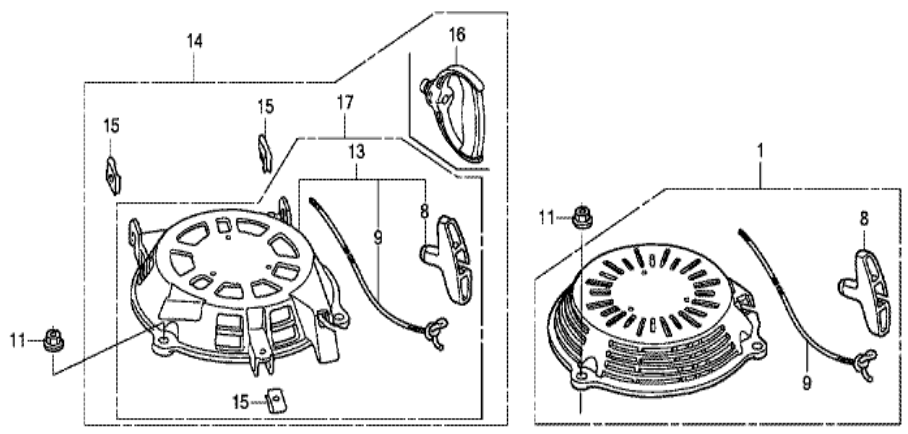


GCV160LA0(S3A)	E-10 CAMSHAFT PULLEY
----------------	----------------------



Ref	Partnumber	Description	GCV160LA0	Serial Numbers
001	14320-Z8D-000	PULLEY COMP., CAMSHAFT	1	3912667
001	14320-Z8D-000	PULLEY COMP., CAMSHAFT	1	3912667
001	14320-ZL8-010	PULLEY COMP., CAMSHAFT	1	
001	14320-ZL8-010	PULLEY COMP., CAMSHAFT	1	
001	14320-ZL8-010	PULLEY COMP., CAMSHAFT	1	3912666
002	14324-ZL8-000	SHAFT, CAM PULLEY	1	
002	14324-ZL8-000	SHAFT, CAM PULLEY	1	
003	14400-ZOJ-014	BELT, TIMING (84HU7 G-200)	1	
003	14400-ZOJ-014	BELT, TIMING (84HU7 G-200)	1	
006	14461-ZL8-000	SHAFT, ROCKER ARM	2	
011	90012-333-000	SCREW, TAPPET ADJUSTING	2	
012	90206-001-000	NUT, TAPPET ADJUSTING	2	
013	91301-ZM0-V31	O-RING, 6.8X1.9 (ARAI)	1	
Ref	Partnumber	Description	GCV160LA0	Serial Numbers
013	91301-ZM0-V31	O-RING, 6.8X1.9 (ARAI)	1	
015	14431-ZOJ-000	ARM, IN. VALVE ROCKER	1	
016	14441-ZOJ-000	ARM, EX. VALVE ROCKER	1	

GCV160LA0(S3A)	E-11 RECOIL STARTER
----------------	---------------------

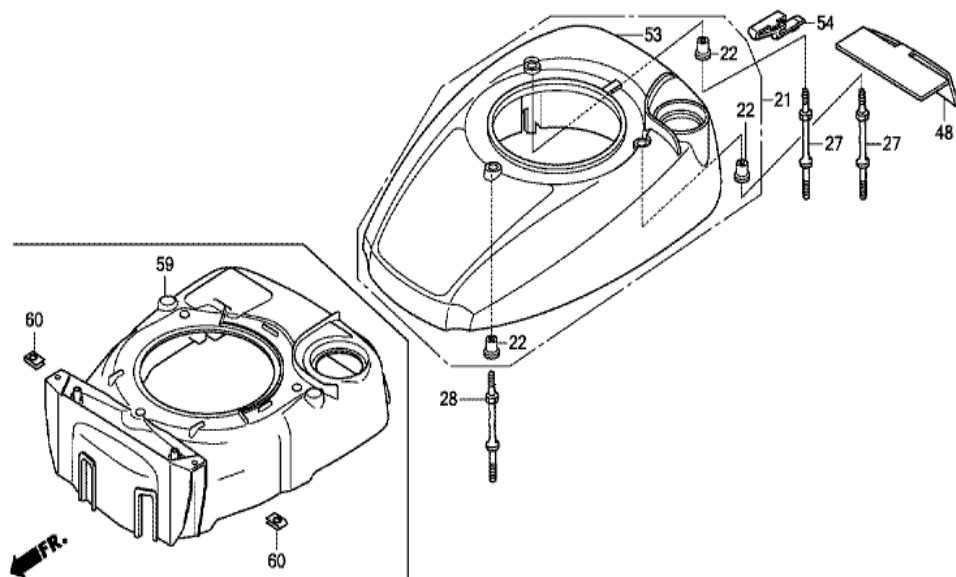


ZM0E1100J

Ref	Partnumber	Description	GCV160LA0	Serial Numbers
001	28400-Z0L-V20ZA	STARTER ASSY., RECOIL (LONG ROPE) *NH1*	1	
001	28400-Z0L-V20ZA	STARTER ASSY., RECOIL (LONG ROPE) *NH1*	1	3396967
008	28461-ZL8-003	GRIP, STARTER	1	
009	28462-Z0L-V20	ROPE, RECOIL STARTER (BLACK) (LONG TYPE)	1	
009	28462-Z0L-V20	ROPE, RECOIL STARTER (BLACK) (LONG TYPE)	1	3396967
011	90201-ZM0-000	NUT, FLANGE, 6MM	3	

GCV160LA0(S3A)

E-12-1 FAN COVER (2)

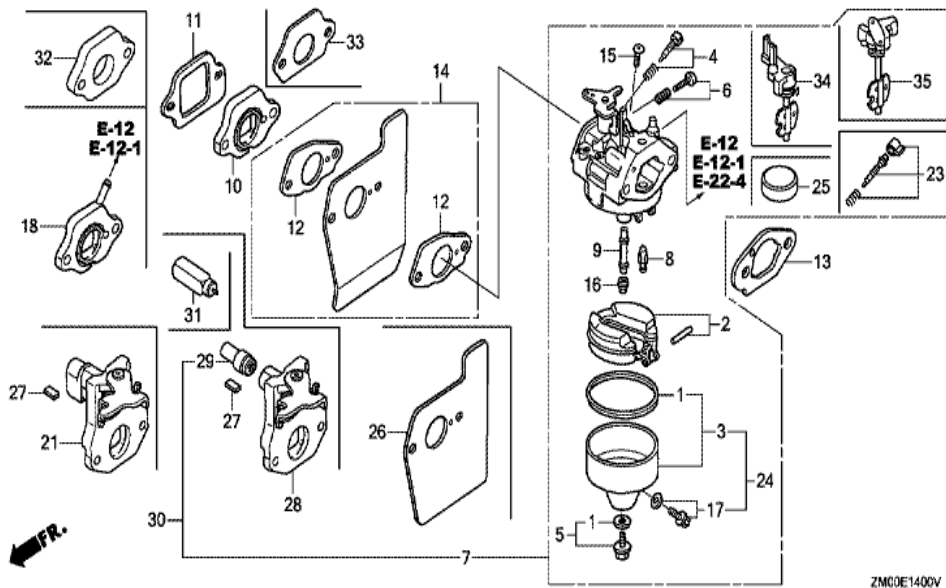


ZM00E1201H

Ref	Partnumber	Description	GCV160LA0	Serial Numbers
006	16950-Z0Y-003	COCK ASSY., FUEL	1	
007	16952-Z8B-000	STRAINER, FUEL	1	2240293
007	16952-Z8B-000	STRAINER, FUEL	1	2240293
007	16952-ZA8-800	STRAINER, FUEL	1	
007	16952-ZA8-800	STRAINER, FUEL	1	2240292
008	16961-ZOL-900	STAY, FUEL COCK	1	
009	17511-ZOL-030	TANK, FUEL	1	
009	17511-Z8B-800	TANK, FUEL	1	3116718
009	17511-Z8B-800	TANK, FUEL	1	3116718
010	17514-ZOL-000	SEAL, FUEL FILLER NECK	1	
011	17516-ZOL-000	CLIP, TANK MOUNTING	1	
012	17532-Z8B-800	RUBBER A, TANK MOUNTING	1	3116718
012	17532-Z8B-800	RUBBER A, TANK MOUNTING	1	3406724

<u>Ref</u>	<u>Partnumber</u>	<u>Description</u>	<u>GCV160LAO</u>	<u>Serial Numbers</u>
013	17533-Z8B-800	RUBBER B, TANK MOUNTING	1	3116718
013	17533-Z8B-800	RUBBER B, TANK MOUNTING	1	3406724
014	17534-Z0L-000	NUT, TANK MOUNTING	1	
015	17620-Z0J-800	CAP ASSY., FUEL TANK	1	
016	17636-Z0L-010	GAUGE, FUEL LEVEL	1	
016	17636-Z0L-010	GAUGE, FUEL LEVEL	1	3406724
021	19610-Z0L-861ZA	COVER COMP., FAN *NH1*	1	6702083
021	19610-Z0L-861ZA	COVER COMP., FAN *NH1*	1	
021	19610-Z0L-861ZA	COVER COMP., FAN *NH1*	1	
021	19610-Z0L-861ZC	COVER COMP., FAN *T89*	1	6702083
021	19610-Z0L-861ZC	COVER COMP., FAN *T89*	1	
021	19610-Z0L-861ZC	COVER COMP., FAN *T89*	1	
021	19610-Z0L-861ZD	COVER COMP., FAN *T93*	1	
021	19610-Z0L-861ZD	COVER COMP., FAN *T93*	1	
021	19610-Z0L-861ZD	COVER COMP., FAN *T93*	1	
021	19610-Z0L-861ZE	COVER COMP., FAN *T98*	1	6702083
021	19610-Z0L-861ZE	COVER COMP., FAN *T98*	1	
021	19610-Z0L-861ZF	COVER COMP., FAN *T98B*	1	
022	19619-ZL8-300	COLLAR, FAN COVER	3	
024	90013-883-000	BOLT, FLANGE, 6X12 (CT200)	1	
025	90015-883-000	BOLT, FLANGE, 6X28 (CT200)	1	
027	90043-Z8B-000	BOLT, STUD (FAN COVER)	2	
027	90043-Z8B-000	BOLT, STUD (FAN COVER)	2	
027	90043-ZL8-000	BOLT, STUD (H=42.5MM)	2	
027	90043-ZL8-000	BOLT, STUD (H=42.5MM)	2	
027	90043-ZL8-000	BOLT, STUD (H=42.5MM)	2	
027	90043-ZL8-000	BOLT, STUD (H=42.5MM)	2	
027	90043-ZL8-000	BOLT, STUD (H=42.5MM)	2	
027	90043-ZL8-000	BOLT, STUD (H=42.5MM)	2	
028	90043-ZL8-000	BOLT, STUD (H=42.5MM)	1	6702082
028	90043-ZL8-000	BOLT, STUD (H=42.5MM)	1	
028	90043-ZL8-000	BOLT, STUD (H=42.5MM)	1	
028	90043-ZL8-000	BOLT, STUD (H=42.5MM)	1	
028	90043-ZL8-000	BOLT, STUD (H=42.5MM)	1	
<u>Ref</u>	<u>Partnumber</u>	<u>Description</u>	<u>GCV160LAO</u>	<u>Serial Numbers</u>
028	90043-ZL8-000	BOLT, STUD (H=42.5MM)	1	
033	93913-25220	SCREW, TAPPING, 5X12 (PO)	1	
035	91424-Z8B-821	TUBE, FUEL, 4.5X110 (FKM)	1	
035	91424-Z8B-821	TUBE, FUEL, 4.5X110 (FKM)	1	1489859
035	91424-Z8B-821	TUBE, FUEL, 4.5X110 (FKM)	1	2571950
035	91424-Z8B-901	TUBE, FUEL, 4.5X110	1	2571951
036	91427-Z8B-821	TUBE, FUEL, 7.3X160 (FKM)	1	
036	91427-Z8B-821	TUBE, FUEL, 7.3X160 (FKM)	1	1489859
036	91427-Z8B-821	TUBE, FUEL, 7.3X160 (FKM)	1	2571950
036	91427-Z8B-901	TUBE, FUEL, 7.3X160	1	2571951
037	95002-50000	CLIP, TUBE (C9)	2	2571951
039	95002-02130	CLIP, TUBE (B12.5)	2	2571951
040	95002-4080008	CLAMP, TUBE (D8)	2	
040	95002-4080008	CLAMP, TUBE (D8)	2	2571950
042	95002-4120008	CLAMP, TUBE (D12)	1	
042	95002-4120008	CLAMP, TUBE (D12)	1	1854820
042	95002-4120008	CLAMP, TUBE (D12)	2	2571950
050	06175-Z8B-800	TANK KIT, FUEL	1	3116717
050	06175-Z8B-800	TANK KIT, FUEL	1	3406723

GCV160LA0(S3A)	E-14 CARBURETOR
----------------	-----------------

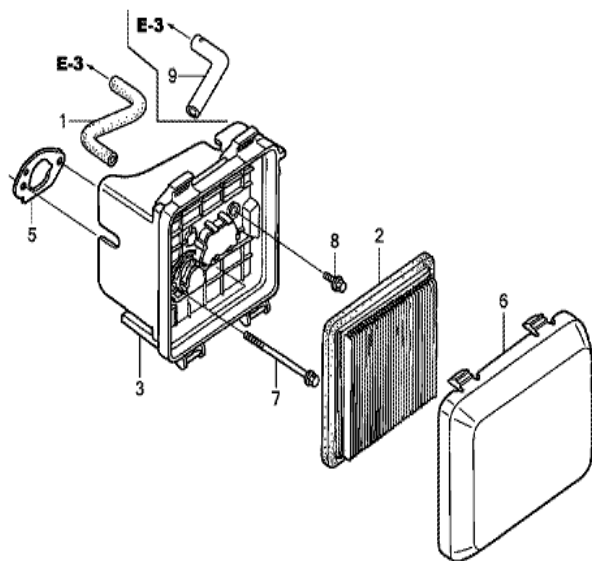


Ref	Partnumber	Description	GCV160LA0	Serial Numbers
001	16010-883-015	PACKING SET	1	
002	16013-ZL1-003	FLOAT SET	1	
003	16015-ZOL-881	CHAMBER SET, FLOAT	1	
003	16015-ZOL-881	CHAMBER SET, FLOAT	1	BB65E B
005	16028-ZE0-005	SCREW SET	1	
007	16100-ZOL-852	CARBURETOR ASSY. (BB62Z B)	1	7161135
007	16100-ZOL-852	CARBURETOR ASSY. (BB62Z B)	1	
007	16100-ZOL-852	CARBURETOR ASSY. (BB62Z B)	1	1583553
007	16100-ZOL-852	CARBURETOR ASSY. (BB62Z B)	1	2528590
007	16100-ZOL-852	CARBURETOR ASSY. (BB62Z B)	1	2528590
007	16100-ZOL-853	CARBURETOR ASSY. (BB62Z C)	1	1583554
007	16100-ZOL-853	CARBURETOR ASSY. (BB62Z C)	1	2528591
007	16100-ZOL-853	CARBURETOR ASSY. (BB62Z C)	1	2528591

<u>Ref</u>	<u>Partnumber</u>	<u>Description</u>	<u>GCV160LA0</u>	<u>Serial Numbers</u>
008	16155-ZM0-013	VALVE, FLOAT	1	BB62B E
008	16155-ZM0-013	VALVE, FLOAT	1	
009	16166-ZM0-003	NOZZLE, MAIN	1	
009	16166-ZM0-003	NOZZLE, MAIN	1	
009	16166-ZM0-003	NOZZLE, MAIN	1	
009	16166-ZM0-003	NOZZLE, MAIN	1	
009	16166-ZM0-003	NOZZLE, MAIN	1	
009	16166-ZM0-003	NOZZLE, MAIN	1	
010	16211-Z8B-000	INSULATOR, CARBURETOR	1	3459380
010	16211-Z8B-000	INSULATOR, CARBURETOR	1	3459380
010	16211-ZL8-000	INSULATOR, CARBURETOR	1	
010	16211-ZL8-000	INSULATOR, CARBURETOR	1	3459379
011	16212-ZL8-000	PACKING, INSULATOR	1	
013	16228-ZL8-000	PACKING, CARBURETOR	1	
013	16228-ZL8-000	PACKING, CARBURETOR	1	
015	93500-050061H	SCREW, PAN, 5X6	1	
016	99101-1240600	JET, MAIN, #60	(1)	
016	99101-1240600	JET, MAIN, #60	(1)	BB65K A
016	99101-1240600	JET, MAIN, #60	(1)	
016	99101-1240620	JET, MAIN, #62	(1)	BB75E A
016	99101-1240620	JET, MAIN, #62	(1)	
016	99101-1240620	JET, MAIN, #62	(1)	BB75E A
016	99101-1240620	JET, MAIN, #62	(1)	
016	99101-1240620	JET, MAIN, #62	(1)	BB75E A
016	99101-1240650	JET, MAIN, #65	1	BB65K A
016	99101-1240650	JET, MAIN, #65	1	
016	99101-1240650	JET, MAIN, #65	1	BB65K A
016	99101-1240650	JET, MAIN, #65	1	
016	99101-1240650	JET, MAIN, #65	1	BB65A C
026	19651-ZOL-000	GUIDE, AIR	1	

GCV160LA0(S3A)

E-15 AIR CLEANER

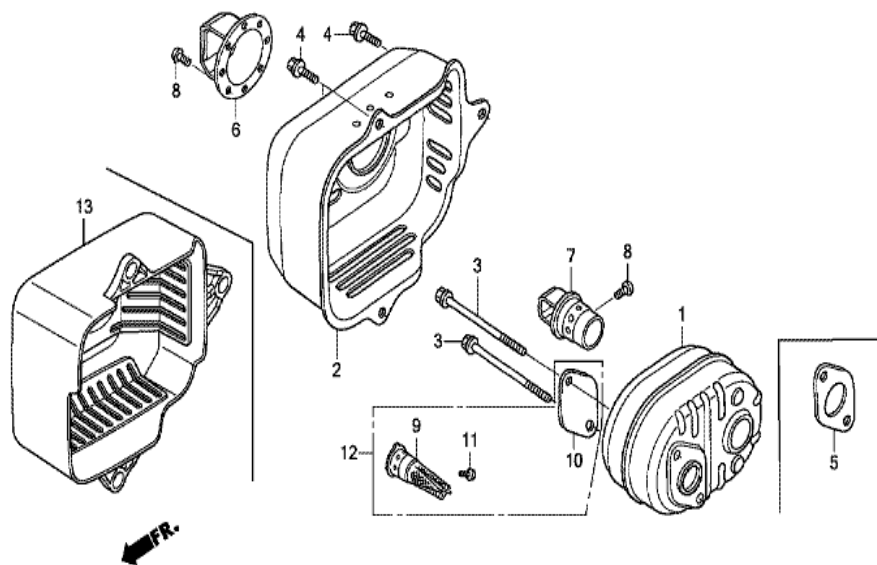


ZM0E1500B

Ref	Partnumber	Description	GCV160LA0	Serial Numbers
001	15721-ZM0-000	TUBE, BREATHER	1	
001	15721-ZM0-000	TUBE, BREATHER	1	
002	17211-Z8B-901	ELEMENT, AIR CLEANER (WIX FILTERS)	1	3680377
002	17211-Z8B-901	ELEMENT, AIR CLEANER (WIX FILTERS)	1	3680377
002	17211-ZL8-023	ELEMENT, AIR CLEANER (TOYO ROKI)	1	
002	17211-ZL8-023	ELEMENT, AIR CLEANER (TOYO ROKI)	1	
002	17211-ZL8-023	ELEMENT, AIR CLEANER (TOYO ROKI)	1	3680376
003	17220-Z8B-000	CASE ASSY., AIR CLEANER	1	3454522
003	17220-Z8B-000	CASE ASSY., AIR CLEANER	1	3454522
003	17220-ZM0-010	CASE ASSY., AIR CLEANER	1	6624356
003	17220-ZM0-010	CASE ASSY., AIR CLEANER	1	
003	17220-ZM0-010	CASE ASSY., AIR CLEANER	1	1079019
003	17220-ZM0-010	CASE ASSY., AIR CLEANER	1	

<u>Ref</u>	<u>Partnumber</u>	<u>Description</u>	<u>GCV160LAO</u>	<u>Serial Numbers</u>
003	17220-ZM0-010	CASE ASSY., AIR CLEANER	1	1167575
003	17220-ZM0-020	CASE ASSY., AIR CLEANER	1	1167576 1239013
003	17220-ZM0-020	CASE ASSY., AIR CLEANER	1	1239013
003	17220-ZM0-020	CASE ASSY., AIR CLEANER	1	1079020
003	17220-ZM0-020	CASE ASSY., AIR CLEANER	1	1167576 1239013
003	17220-ZM0-020	CASE ASSY., AIR CLEANER	1	1167576 1239013
003	17220-ZM0-030	CASE ASSY., AIR CLEANER	1	1239014
003	17220-ZM0-030	CASE ASSY., AIR CLEANER	1	
003	17220-ZM0-030	CASE ASSY., AIR CLEANER	1	
003	17220-ZM0-030	CASE ASSY., AIR CLEANER	1	1239014 3454521
003	17220-ZM0-030	CASE ASSY., AIR CLEANER	1	1239014 3454521
005	17228-Z8B-000	PACKING, AIR CLEANER	1	3006818
005	17228-Z8B-000	PACKING, AIR CLEANER	1	3006818 3454521
005	17228-Z8B-000	PACKING, AIR CLEANER	1	3006818 3454521
005	17228-Z8B-900	PACKING, AIR CLEANER	1	1827258
005	17228-Z8B-900	PACKING, AIR CLEANER	1	3454522
005	17228-ZM0-000	PACKING, AIR CLEANER	1	
005	17228-ZM0-000	PACKING, AIR CLEANER	1	
005	17228-ZM0-000	PACKING, AIR CLEANER	1	1546574
005	17228-ZM0-000	PACKING, AIR CLEANER	1	3006817
006	17231-Z0L-030	COVER, AIR CLEANER	1	1167575
006	17231-Z0L-030	COVER, AIR CLEANER	1	1117443
006	17231-Z0L-050	COVER, AIR CLEANER	1	1117444
006	17231-Z0L-050	COVER, AIR CLEANER	1	1167576
007	90003-Z8B-900	BOLT, SPECIAL, 6MM	2	3454522
007	90003-Z8B-900	BOLT, SPECIAL, 6MM	2	3454522
007	90003-ZM0-010	BOLT, FLANGE, 6X85 (CT200)	2	
007	90003-ZM0-010	BOLT, FLANGE, 6X85 (CT200)	2	
007	90003-ZM0-010	BOLT, FLANGE, 6X85 (CT200)	2	
007	90003-ZM0-010	BOLT, FLANGE, 6X85 (CT200)	2	3454521
007	90003-ZM0-010	BOLT, FLANGE, 6X85 (CT200)	2	6349023

GCV160LA0(S3A)	E-16 MUFFLER
----------------	--------------

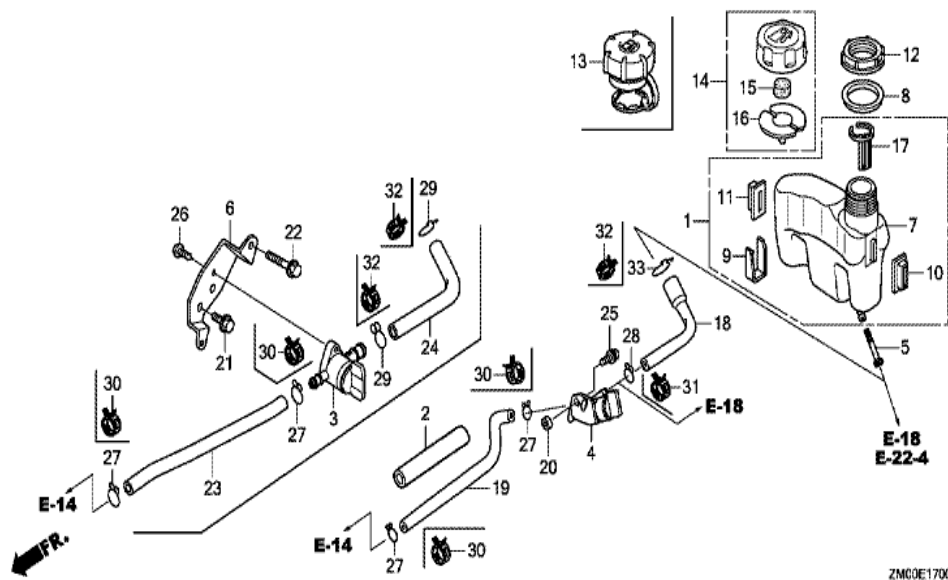


ZMC0E16003

Ref	Partnumber	Description	GCV160LA0	Serial Numbers
001	18310-ZM0-000	MUFFLER COMP.	1	
001	18310-ZM0-000	MUFFLER COMP.	1	
001	18310-ZM0-000	MUFFLER COMP.	1	
002	18321-Z0L-J00	PROTECTOR, MUFFLER	1	2307312
002	18321-Z0L-J00	PROTECTOR, MUFFLER	1	1152561
002	18321-Z0L-J00	PROTECTOR, MUFFLER	1	1243452
002	18321-Z0L-J01	PROTECTOR, MUFFLER	1	1243453
002	18321-Z0L-J01	PROTECTOR, MUFFLER	1	
002	18321-Z0L-J01	PROTECTOR, MUFFLER	1	1243453
003	90004-ZL8-000	BOLT, FLANGE, 6X79 (CT200)	2	
003	90004-ZL8-000	BOLT, FLANGE, 6X79 (CT200)	2	
004	90013-883-000	BOLT, FLANGE, 6X12 (CT200)	3	
005	18381-ZL8-305	GASKET, MUFFLER	1	
Ref	Partnumber	Description	GCV160LA0	Serial Numbers
005	18381-ZL8-305	GASKET, MUFFLER	(1)	
009	18350-ZL8-000	ARRESTER COMP., SPARK	1	
009	18350-ZL8-000	ARRESTER COMP., SPARK	(1)	
010	18356-ZL8-000	PLATE, ARRESTER NUMBER	(1)	
011	90055-ZE1-000	SCREW, TAPPING, 4X6	1	
011	90055-ZE1-000	SCREW, TAPPING, 4X6	(1)	
012	06180-Z0J-000	ARRESTER KIT, SPARK	(1)	

GCV160LA0(S3A)

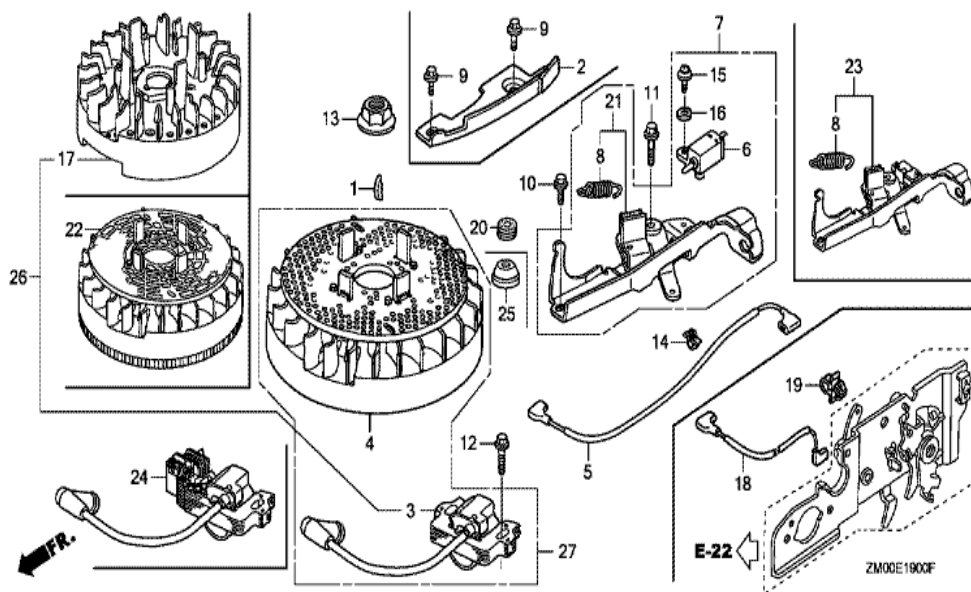
E-17 FUEL TANK



Ref	Partnumber	Description	GCV160LA0	Serial Numbers
001	06175-Z8B-800	TANK KIT, FUEL	1	3116717
003	16950-Z0Y-003	COCK ASSY., FUEL	1	
005	16952-Z8B-000	STRAINER, FUEL	1	1851726
005	16952-Z8B-000	STRAINER, FUEL	1	2240293
005	16952-ZA8-800	STRAINER, FUEL	1	1428001
005	16952-ZA8-800	STRAINER, FUEL	1	2240292
006	16961-Z0L-900	STAY, FUEL COCK	1	
007	17511-Z8B-800	TANK, FUEL	1	1851726
007	17511-Z8B-800	TANK, FUEL	1	3116718
008	17514-Z0L-000	SEAL, FUEL FILLER NECK	1	
009	17516-Z0L-000	CLIP, TANK MOUNTING	1	
010	17532-Z8B-800	RUBBER A, TANK MOUNTING	1	1851726
010	17532-Z8B-800	RUBBER A, TANK MOUNTING	1	3116718
<u>Ref</u>	<u>Partnumber</u>	<u>Description</u>	<u>GCV160LA0</u>	<u>Serial Numbers</u>
011	17533-Z8B-800	RUBBER B, TANK MOUNTING	1	1851726
011	17533-Z8B-800	RUBBER B, TANK MOUNTING	1	3116718
012	17534-Z0L-000	NUT, TANK MOUNTING	1	
013	17620-Z0J-800	CAP ASSY., FUEL TANK	1	
017	17636-Z0L-010	GAUGE, FUEL LEVEL	1	
021	90013-883-000	BOLT, FLANGE, 6X12 (CT200)	1	
022	90015-883-000	BOLT, FLANGE, 6X28 (CT200)	1	
023	91424-Z8B-821	TUBE, FUEL, 4.5X110 (FKM)	1	2571950
023	91424-Z8B-901	TUBE, FUEL, 4.5X110	1	2571951
024	91427-Z8B-821	TUBE, FUEL, 7.3X160 (FKM)	1	2571950
024	91427-Z8B-901	TUBE, FUEL, 7.3X160	1	2571951
026	93913-25220	SCREW, TAPPING, 5X12 (PO)	1	
027	95002-50000	CLIP, TUBE (C9)	2	1489860
027	95002-50000	CLIP, TUBE (C9)	2	2571951
029	95002-02130	CLIP, TUBE (B12.5)	2	2571951
030	95002-4080008	CLAMP, TUBE (D8)	2	2571950
032	95002-4120008	CLAMP, TUBE (D12)	2	2571950

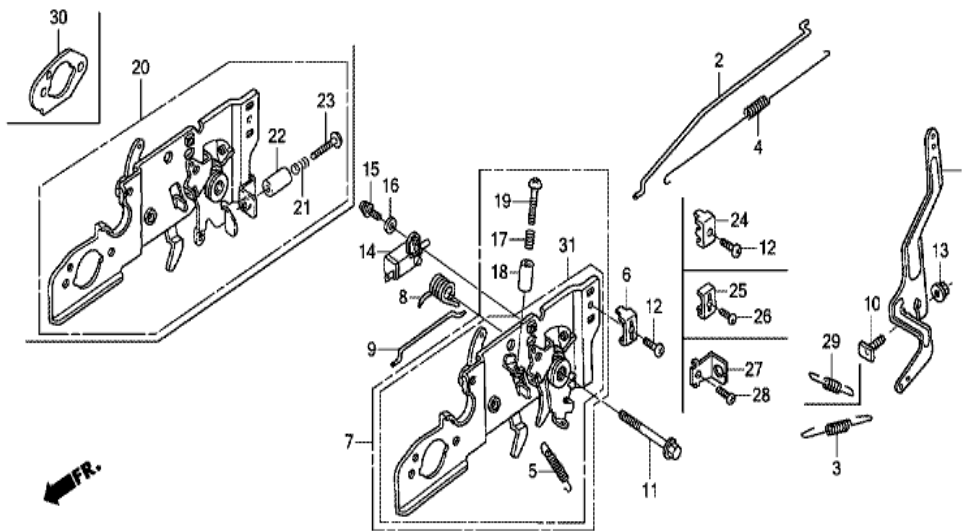
GCV160LA0(S3A)

E-19 FLYWHEEL (1)



Ref	Partnumber	Description	GCV160LA0	Serial Numbers
001	13331-357-000	KEY, SPECIAL WOODRUFF, 25X18	1	3540037
001	13331-357-000	KEY, SPECIAL WOODRUFF, 25X18	1	3540037
001	13331-Z8B-900	KEY, SPECIAL WOODRUFF, 25X18	1	3540038
003	30500-ZL8-014	COIL ASSY., IGNITION (TEC) (USE FOR F/W	1	
003	30500-ZL8-014	COIL ASSY., IGNITION (TEC) (USE FOR F/W	1	
004	31105-ZM0-000	FLYWHEEL ASSY. (TEC) (USE FOR IGN. COIL	1	
004	31105-ZM0-000	FLYWHEEL ASSY. (TEC) (USE FOR IGN. COIL	1	
005	32195-ZM0-800	CORD, STOP SWITCH	1	
005	32195-ZM0-800	CORD, STOP SWITCH	1	
006	35120-ZM0-003	SWITCH ASSY., ENGINE STOP (N.C)	1	
008	75113-ZM0-000	SPRING, BRAKE LEVER	1	
010	90014-952-000	BOLT, FLANGE, 6X14 (CT200)	1	
011	90018-ZE1-000	BOLT, FLANGE, 6X23 (CT200)	1	
Ref	Partnumber	Description	GCV160LA0	Serial Numbers
011	90018-ZE1-000	BOLT, FLANGE, 6X23 (CT200)	1	
012	90018-ZE1-000	BOLT, FLANGE, 6X23 (CT200)	1	
012	90018-ZE1-000	BOLT, FLANGE, 6X23 (CT200)	1	6702083
013	90201-Z0T-800	NUT, SPECIAL, 14MM	1	
013	90201-Z0T-800	NUT, SPECIAL, 14MM	1	
014	51125-Z0L-003	HOLDER, WIRE (FASTEX)	1	
014	51125-Z0L-003	HOLDER, WIRE (FASTEX)	1	
014	90681-959-003	CLIP A, CABLE (NIFCO) (3.8MM BLACK)	1	
014	90681-959-003	CLIP A, CABLE (NIFCO) (3.8MM BLACK)	1	
015	93892-0401200	SCREW-WASHER, 4X12	1	
016	94103-04000	WASHER, PLAIN, 4MM	1	
021	75110-Z0Y-000	BRAKE SUB ASSY.	1	7132771
021	75110-Z0Y-000	BRAKE SUB ASSY.	1	
021	75110-Z0Y-000	BRAKE SUB ASSY.	1	
025	91601-Z0L-300	GROMMET, BRAKE PLATE	1	

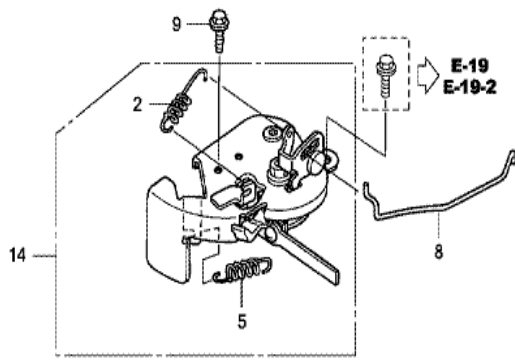
GCV160LA0(S3A)	E-22 CONTROL (1)
----------------	------------------



ZMG0E2200K

Ref	Partnumber	Description	GCV160LA0	Serial Numbers
001	16551-ZM0-010	ARM, GOVERNOR	1	
001	16551-ZM0-010	ARM, GOVERNOR	1	
002	16555-Z0L-801	ROD, GOVERNOR	1	
003	16561-Z0L-000	SPRING, GOVERNOR	1	
003	16561-Z0L-000	SPRING, GOVERNOR	1	
004	16562-ZM0-000	SPRING, THROTTLE RETURN	1	
004	16562-ZM0-000	SPRING, THROTTLE RETURN	1	
010	90015-ZE5-010	BOLT, GOVERNOR ARM	1	
013	94050-06000	NUT, FLANGE, 6MM	1	
015	93892-0401200	SCREW-WASHER, 4X12	1	
016	94103-04000	WASHER, PLAIN, 4MM	1	
030	16221-Z0L-900	SPACER, CARBURETOR	1	

GCV160LA0(S3A)	E-22-3 CHOKE BASE
----------------	-------------------

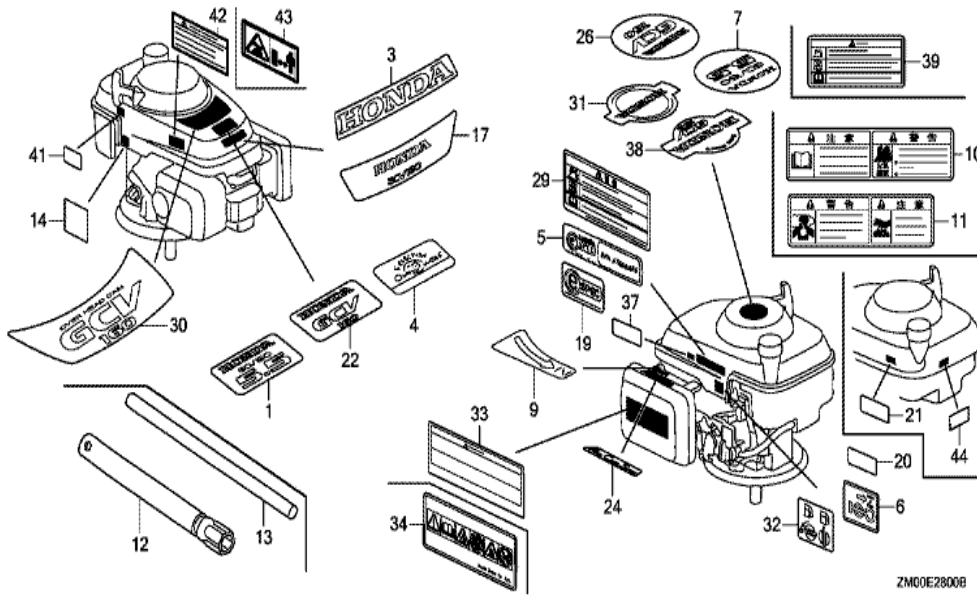


ZM00E2203D

Ref	Partnumber	Description	GCV160LA0	Serial Numbers
002	16592-Z2D-800	SPRING, RETURN	1	
002	16592-Z2D-800	SPRING, RETURN	1	4361727
005	16614-Z2D-800	SPRING, CHOKE LEVER	1	4361727
005	16614-Z2D-800	SPRING, CHOKE LEVER	1	
008	16632-Z0L-801	ROD, STOP	1	
009	90022-888-010	BOLT, FLANGE, 6X20 (CT200)	1	
009	90022-888-010	BOLT, FLANGE, 6X20 (CT200)	1	
014	16610-Z2D-801	LEVER ASSY., CHOKE	1	4361727
014	16610-Z2D-801	LEVER ASSY., CHOKE	1	

GCV160LA0(S3A)

E-28 LABEL/TOOL

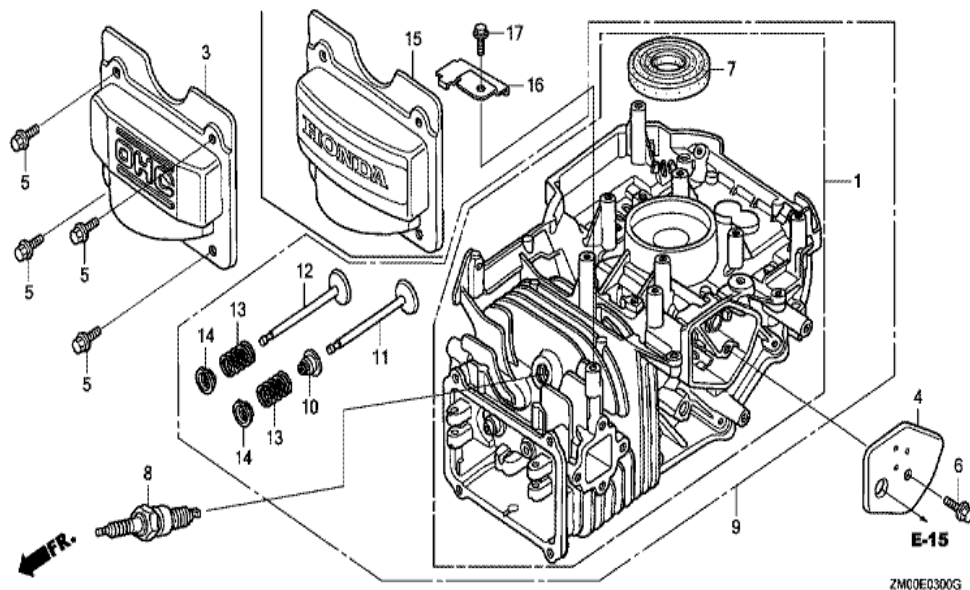


ZMG0E2800B

Ref	Partnumber	Description	GCV160LA0	Serial Numbers
009	87528-Z0L-V20	MARK, CHOKE INDICATION	1	
020	87114-ZH7-821	LABEL, WARNING (NOT CERTIFIED FOR SALE)	1	2075803
020	87114-ZH7-821	LABEL, WARNING (NOT CERTIFIED FOR SALE)	1	
030	87101-Z8B-000	MARK, EMBLEM (GCV160)	1	
031	87169-Z8E-000	MARK, RECOIL COVER	1	
032	87524-Z8B-000	MARK, FUEL COCK CAUTION	1	

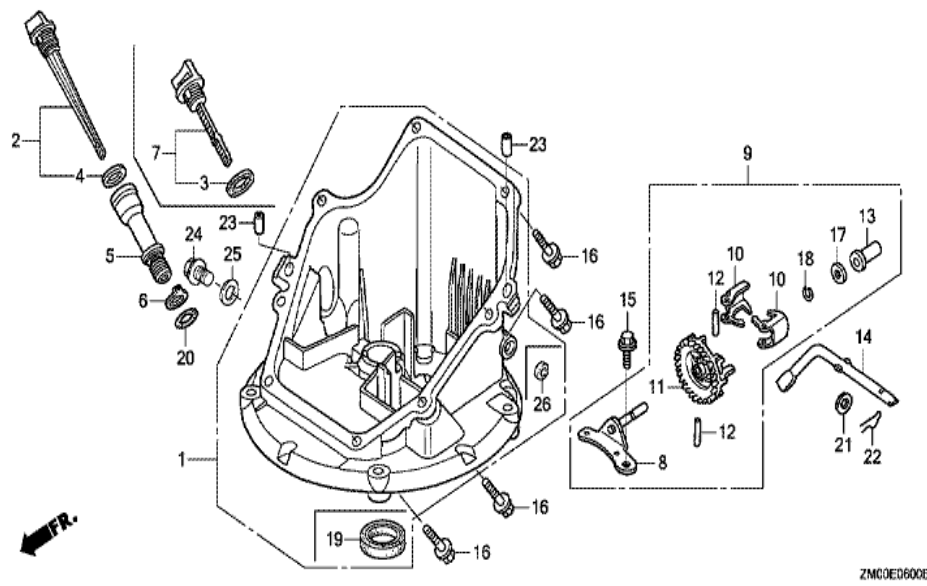
GCV160LA0(S3A)

E-3 CYLINDER BARREL



Ref	Partnumber	Description	GCV160LA0	Serial Numbers
001	12000-Z0L-406	BARREL ASSY., CYLINDER	1	1231612
001	12000-Z0L-406	BARREL ASSY., CYLINDER	1	
003	12311-ZL8-000	COVER, HEAD	1	
003	12311-ZL8-000	COVER, HEAD	1	1677021
003	12311-ZL8-000	COVER, HEAD	1	3228868
004	12355-ZL8-000	COVER COMP., BREATHER	1	
005	90013-883-000	BOLT, FLANGE, 6X12 (CT200)	4	
006	90014-952-000	BOLT, FLANGE, 6X14 (CT200)	1	
007	91201-ZL8-003	OIL SEAL, 25.4X62X6	1	
007	91201-ZL8-003	OIL SEAL, 25.4X62X6	1	
008	98079-55846	PLUG, SPARK (BPR5ES) (NGK)	1	
008	98079-55846	PLUG, SPARK (BPR5ES) (NGK)	1	2218978
010	12209-ZM0-003	SEAL, VALVE STEM	1	
<u>Ref</u>	<u>Partnumber</u>	<u>Description</u>	<u>GCV160LA0</u>	<u>Serial Numbers</u>
010	12209-ZM0-003	SEAL, VALVE STEM	1	
011	14711-Z0J-000	VALVE, IN. (ROCKNEL)	1	
011	14711-Z0J-000	VALVE, IN. (ROCKNEL)	1	6330748
011	14711-Z0J-800	VALVE, IN.	1	
011	14711-ZL8-000	VALVE, IN. (TECHNOSTAR)	1	
011	14711-ZL8-000	VALVE, IN. (TECHNOSTAR)	1	
012	14721-ZL8-000	VALVE, EX. (L8E)	1	
012	14721-ZL8-000	VALVE, EX. (L8E)	1	
013	14751-ZL8-000	SPRING, VALVE	2	
014	14771-Z0J-000	RETAINER, VALVE SPRING	2	
014	14771-Z0J-000	RETAINER, VALVE SPRING	2	
015	12311-Z8B-000	COVER, HEAD	1	
015	12311-Z8B-000	COVER, HEAD	1	
015	12311-Z8B-000	COVER, HEAD	1	1677022
015	12311-Z8B-000	COVER, HEAD	1	3228869

GCV160LA0(S3A)	E-6 OIL PAN
----------------	-------------

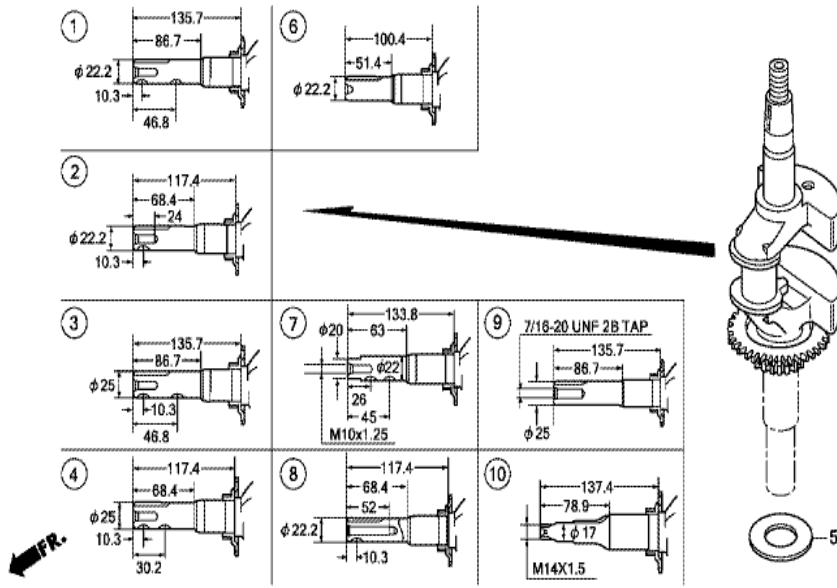


Ref	Partnumber	Description	GCV160LA0	Serial Numbers
001	11300-ZM0-405	PAN ASSY., OIL	1	
001	11300-ZM0-405	PAN ASSY., OIL	1	1212768
002	15650-ZM0-801	GAUGE ASSY., OIL LEVEL	1	
002	15650-ZM0-801	GAUGE ASSY., OIL LEVEL	1	
004	15625-ZE6-000	PACKING, OIL FILLER CAP	1	
005	15631-ZM0-000	EXTENSION, OIL FILLER	1	
005	15631-ZM0-000	EXTENSION, OIL FILLER	1	
006	15639-ZM0-000	WASHER, EXTENSION LOCK	1	
008	16508-ZM0-010	SHAFT COMP., GOVERNOR HOLDER	1	
008	16508-ZM0-010	SHAFT COMP., GOVERNOR HOLDER	1	
008	16508-ZM0-010	SHAFT COMP., GOVERNOR HOLDER	1	
009	16510-ZM0-010	GOVERNOR ASSY.	1	
009	16510-ZM0-010	GOVERNOR ASSY.	1	

<u>Ref</u>	<u>Partnumber</u>	<u>Description</u>	<u>GCV160LA0</u>	<u>Serial Numbers</u>
009	16510-ZM0-010	GOVERNOR ASSY.	1	
010	16511-ZL8-000	WEIGHT, GOVERNOR	2	
010	16511-ZL8-000	WEIGHT, GOVERNOR	2	
011	16512-ZM0-000	HOLDER, GOVERNOR WEIGHT	1	
011	16512-ZM0-000	HOLDER, GOVERNOR WEIGHT	1	
012	16513-ZE1-000	PIN, GOVERNOR WEIGHT	2	
013	16531-ZE1-000	SLIDER, GOVERNOR	1	
013	16531-ZE1-000	SLIDER, GOVERNOR	1	
014	16541-Z8B-000	SHAFT, GOVERNOR ARM	1	1642936
014	16541-Z8B-000	SHAFT, GOVERNOR ARM	1	1642936
014	16541-ZM0-000	SHAFT, GOVERNOR ARM	1	
014	16541-ZM0-000	SHAFT, GOVERNOR ARM	1	1642935
015	90014-952-000	BOLT, FLANGE, 6X14 (CT200)	1	
016	90121-952-000	BOLT, FLANGE, 6X25 (CT200)	8	
016	90121-952-000	BOLT, FLANGE, 6X25 (CT200)	8	
016	90121-952-000	BOLT, FLANGE, 6X25 (CT200)	8	
017	90451-ZE1-000	WASHER, THRUST, 6MM	1	
017	90451-ZE1-000	WASHER, THRUST, 6MM	1	
018	90602-ZE1-000	CLIP, GOVERNOR HOLDER	1	
018	90602-ZE1-000	CLIP, GOVERNOR HOLDER	1	
019	91202-ZL8-003	OIL SEAL, 28X41.25X6	1	
020	91303-KF0-003	O-RING, 14.8X2.4 (ARAI)	1	
021	94101-06800	WASHER, PLAIN, 6MM	1	
022	94251-08000	PIN, LOCK, 8MM	1	
023	94301-08200	DOWEL PIN, 8X20	2	
023	94301-08200	DOWEL PIN, 8X20	2	

GCV160LA0(S3A)

E-7 CRANKSHAFT (1)

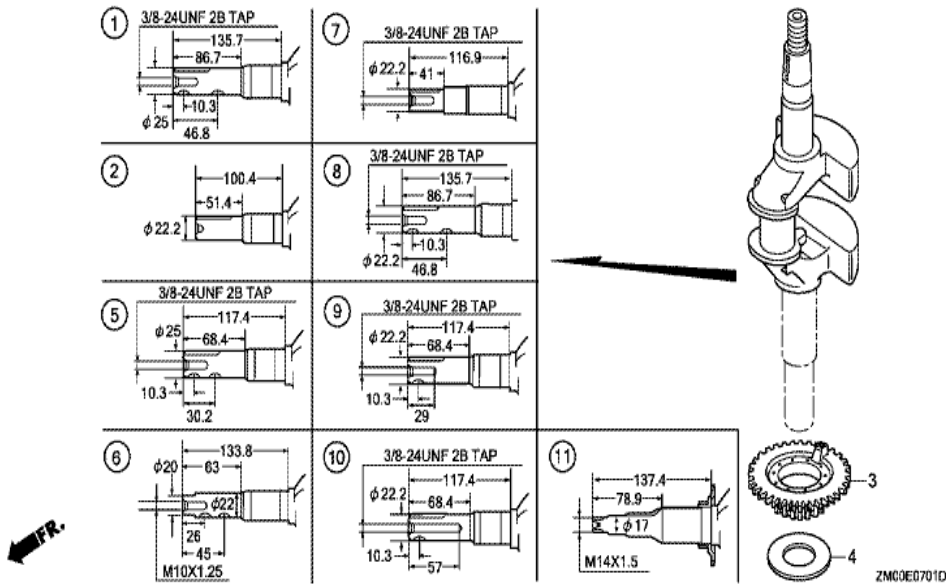


ZM00E0700J

Ref	Partnumber	Description	GCV160LA0	Serial Numbers
003	13310-ZM0-610	CRANKSHAFT COMP.	1	3540037
005	90402-ZL8-000	WASHER, THRUST	1	3540037

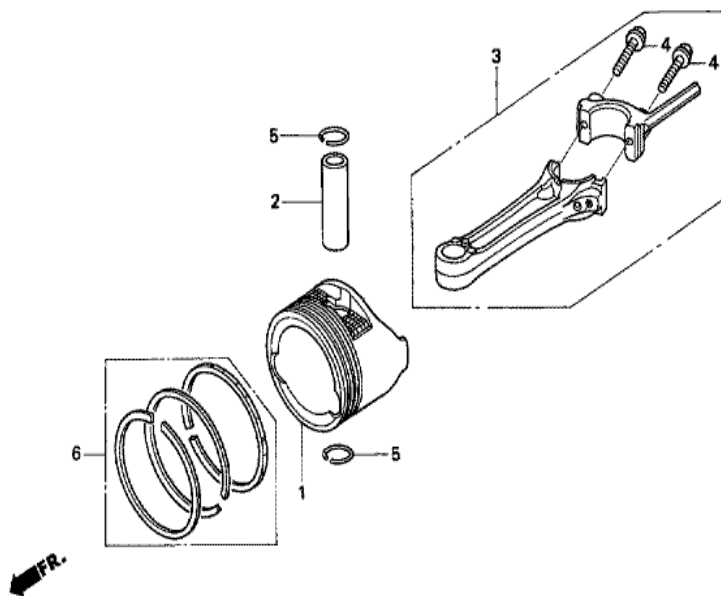
GCV160LA0(S3A)

E-7-1 CRANKSHAFT (2)



Ref	Partnumber	Description	GCV160LA0	Serial Numbers
001	13311-Z8B-900	CRANKSHAFT	1	3540038
003	13621-Z8B-900	PULLEY, TIMING BELT DRIVE	1	3540038
004	90402-ZL8-000	WASHER, THRUST	1	3540038

GCV160LA0(S3A)	E-8 PISTON/CONNECTING ROD
----------------	---------------------------



ZM00-B0800A

Ref	Partnumber	Description	GCV160LA0	Serial Numbers
001	13101-Z2A-010	PISTON	1	5383515
001	13101-Z2A-010	PISTON	1	3151054
001	13101-Z2A-010	PISTON	1	3151054
001	13101-Z8B-820	PISTON	1	3151055
001	13101-Z8B-820	PISTON	1	3151055
002	13111-ZE0-000	PIN, PISTON	1	
002	13111-ZE0-000	PIN, PISTON	1	
002	13111-ZE0-000	PIN, PISTON	1	
002	13111-ZE0-000	PIN, PISTON	1	
003	13200-Z0J-000	ROD ASSY., CONNECTING	1	
003	13200-Z0J-000	ROD ASSY., CONNECTING	1	
004	90001-ZE1-000	BOLT, CONNECTING ROD	2	
004	90001-ZE1-000	BOLT, CONNECTING ROD	2	
Ref	Partnumber	Description	GCV160LA0	Serial Numbers
005	90551-ZE0-000	CLIP, PISTON PIN, 13MM	2	
006	13010-Z0L-014	RING SET, PISTON (STD.) (TEIKOKU)	1	2033979
006	13010-Z0L-014	RING SET, PISTON (STD.) (TEIKOKU)	1	