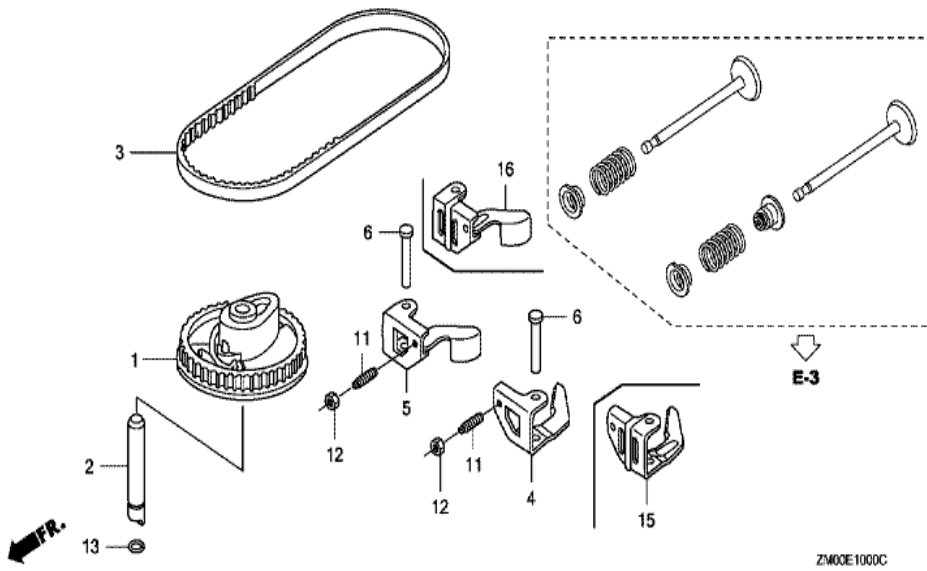
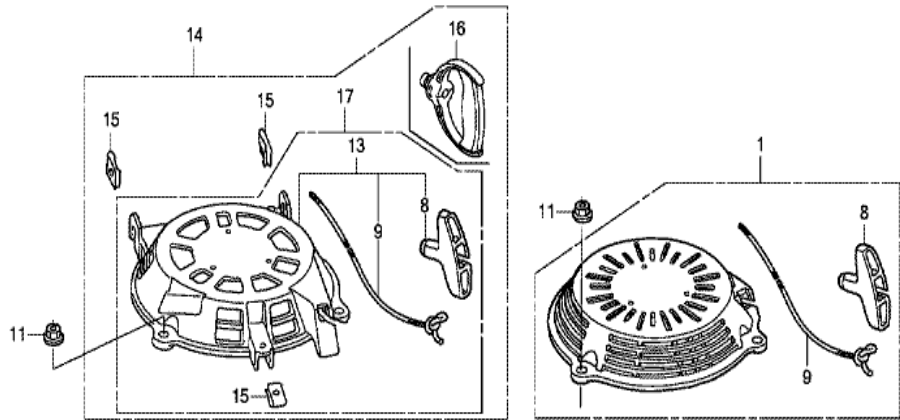


| | |
|-----------------|----------------------|
| GCV160LA0(A1AF) | E-10 CAMSHAFT PULLEY |
|-----------------|----------------------|



| <u>Ref</u> | <u>Partnumber</u> | <u>Description</u> | <u>GCV160LA0</u> | <u>Serial Numbers</u> |
|------------|-------------------|----------------------------|------------------|-----------------------|
| 001 | 14320-ZL8-010 | PULLEY COMP., CAMSHAFT | 1 | |
| 001 | 14320-ZL8-010 | PULLEY COMP., CAMSHAFT | 1 | |
| 001 | 14320-ZL8-010 | PULLEY COMP., CAMSHAFT | 1 | |
| 001 | 14320-ZL8-010 | PULLEY COMP., CAMSHAFT | 1 | |
| 002 | 14324-ZL8-000 | SHAFT, CAM PULLEY | 1 | |
| 002 | 14324-ZL8-000 | SHAFT, CAM PULLEY | 1 | |
| 003 | 14400-Z0J-014 | BELT, TIMING (84HU7 G-200) | 1 | |
| 003 | 14400-Z0J-014 | BELT, TIMING (84HU7 G-200) | 1 | |
| 006 | 14461-ZL8-000 | SHAFT, ROCKER ARM | 2 | |
| 011 | 90012-333-000 | SCREW, TAPPET ADJUSTING | 2 | |
| 012 | 90206-001-000 | NUT, TAPPET ADJUSTING | 2 | |
| 013 | 91301-ZM0-V31 | O-RING, 6.8X1.9 (ARAI) | 1 | |
| 013 | 91301-ZM0-V31 | O-RING, 6.8X1.9 (ARAI) | 1 | |
| <u>Ref</u> | <u>Partnumber</u> | <u>Description</u> | <u>GCV160LA0</u> | <u>Serial Numbers</u> |
| 015 | 14431-Z0J-000 | ARM, IN. VALVE ROCKER | 1 | |
| 016 | 14441-Z0J-000 | ARM, EX. VALVE ROCKER | 1 | |

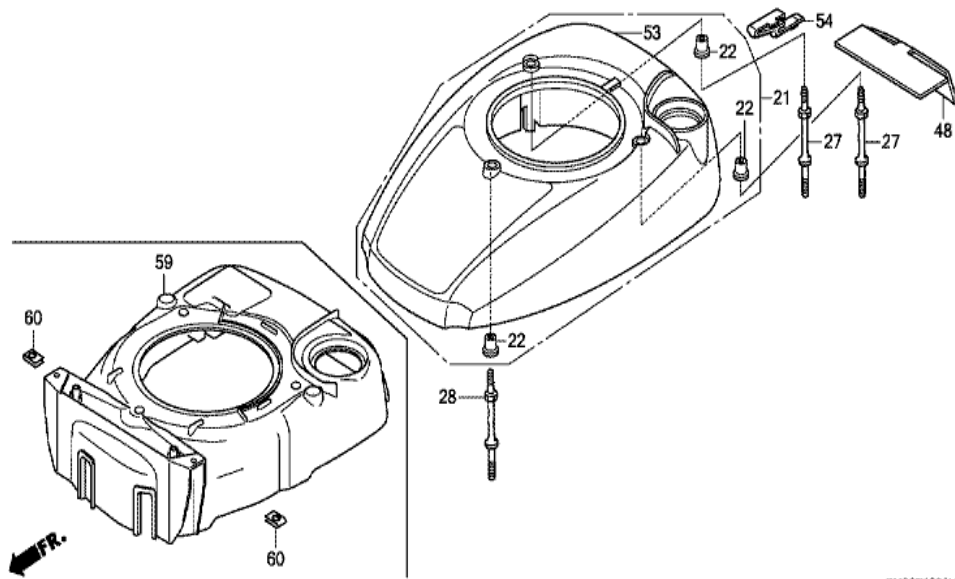
| | |
|-----------------|---------------------|
| GCV160LA0(A1AF) | E-11 RECOIL STARTER |
|-----------------|---------------------|



ZM0E1100J

| Ref | Partnumber | Description | GCV160LA0 | Serial Numbers |
|-----|-----------------|---|-----------|----------------|
| 001 | 28400-ZM0-633ZA | STARTER ASSY., RECOIL (LONG ROPE) *NH1* | 1 | |
| 001 | 28400-ZM0-633ZA | STARTER ASSY., RECOIL (LONG ROPE) *NH1* | 1 | |
| 001 | 28400-ZM0-633ZA | STARTER ASSY., RECOIL (LONG ROPE) *NH1* | 1 | |
| 001 | 28400-ZM0-633ZA | STARTER ASSY., RECOIL (LONG ROPE) *NH1* | 1 | |
| 001 | 28400-ZM0-633ZA | STARTER ASSY., RECOIL (LONG ROPE) *NH1* | 1 | |
| 008 | 28461-ZL8-003 | GRIP, STARTER | 1 | |
| 009 | 28462-ZL8-631 | ROPE, RECOIL STARTER (LONG TYPE) | 1 | 3396966 |
| 009 | 28462-ZL8-631 | ROPE, RECOIL STARTER (LONG TYPE) | 1 | |
| 011 | 90201-ZM0-000 | NUT, FLANGE, 6MM | 3 | |

| | |
|-----------------|----------------------|
| GCV160LA0(A1AF) | E-12-1 FAN COVER (2) |
|-----------------|----------------------|

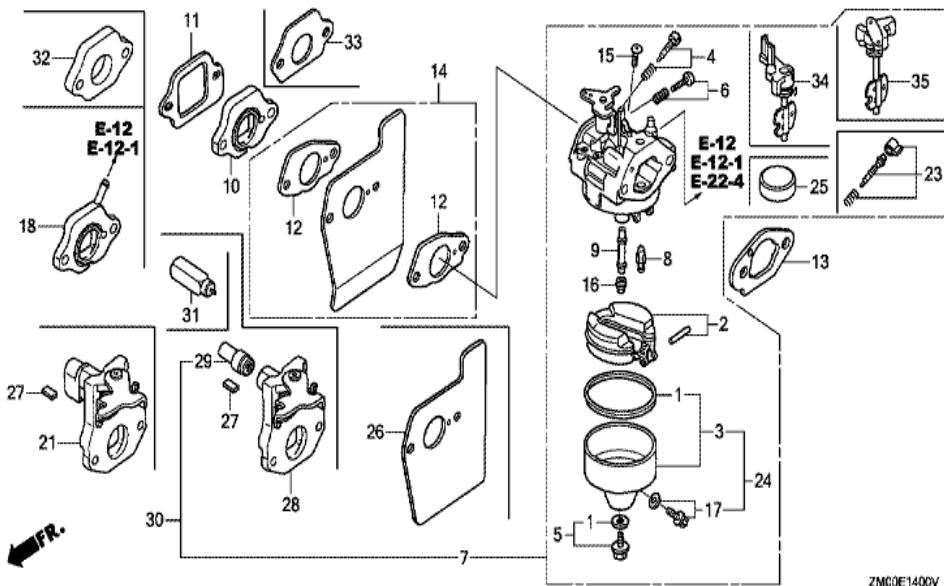


ZM00E1201H

| Ref | Partnumber | Description | GCV160LA0 | Serial Numbers |
|-----|---------------|---------------------------|-----------|----------------|
| 003 | 16854-ZH8-000 | RUBBER, SUPPORTER (107MM) | 1 | |
| 005 | 16950-ZM0-003 | COCK ASSY., FUEL | 1 | |
| 007 | 16952-ZA8-800 | STRAINER, FUEL | 1 | |
| 007 | 16952-ZA8-800 | STRAINER, FUEL | 1 | |
| 007 | 16952-ZA8-800 | STRAINER, FUEL | 1 | |
| 009 | 17511-ZOL-030 | TANK, FUEL | 1 | |
| 010 | 17514-ZOL-000 | SEAL, FUEL FILLER NECK | 1 | |
| 011 | 17516-ZOL-000 | CLIP, TANK MOUNTING | 1 | |
| 014 | 17534-ZOL-000 | NUT, TANK MOUNTING | 1 | |
| 015 | 17620-ZOJ-800 | CAP ASSY., FUEL TANK | 1 | |
| 016 | 17636-ZOL-010 | GAUGE, FUEL LEVEL | 1 | |
| 016 | 17636-ZOL-010 | GAUGE, FUEL LEVEL | 1 | 3406724 |
| 018 | 17701-Z8B-811 | TUBE, FUEL TANK (FKM) | 1 | |

| <u>Ref</u> | <u>Partnumber</u> | <u>Description</u> | <u>GCV160LA0</u> | <u>Serial Numbers</u> |
|------------|-------------------|------------------------|------------------|-----------------------|
| 018 | 17701-Z8B-811 | TUBE, FUEL TANK (FKM) | 1 | |
| 019 | 17702-Z8B-801 | TUBE, FUEL (FKM) | 1 | |
| 019 | 17702-Z8B-801 | TUBE, FUEL (FKM) | 1 | 1854820 |
| 021 | 19610-ZOL-851ZA | COVER COMP., FAN *NH1* | 1 | 6702083 |
| 021 | 19610-ZOL-851ZA | COVER COMP., FAN *NH1* | 1 | |
| 022 | 19619-ZL8-300 | COLLAR, FAN COVER | 3 | |
| 023 | 91501-ZOL-800 | COLLAR, FUEL COCK | 1 | 8028729 |
| 023 | 91501-ZOL-800 | COLLAR, FUEL COCK | 1 | |
| 023 | 91501-ZOL-800 | COLLAR, FUEL COCK | 1 | |
| 027 | 90043-ZL8-000 | BOLT, STUD (H=42.5MM) | 2 | |
| 027 | 90043-ZL8-000 | BOLT, STUD (H=42.5MM) | 2 | |
| 027 | 90043-ZL8-000 | BOLT, STUD (H=42.5MM) | 2 | |
| 027 | 90043-ZL8-000 | BOLT, STUD (H=42.5MM) | 2 | |
| 027 | 90043-ZL8-000 | BOLT, STUD (H=42.5MM) | 2 | |
| 028 | 90043-ZL8-000 | BOLT, STUD (H=42.5MM) | 1 | 6702082 |
| 028 | 90043-ZL8-000 | BOLT, STUD (H=42.5MM) | 1 | |
| 028 | 90043-ZL8-000 | BOLT, STUD (H=42.5MM) | 1 | |
| 028 | 90043-ZL8-000 | BOLT, STUD (H=42.5MM) | 1 | |
| 028 | 90043-ZL8-000 | BOLT, STUD (H=42.5MM) | 1 | |
| 028 | 90043-ZL8-000 | BOLT, STUD (H=42.5MM) | 1 | |
| 028 | 90043-ZL8-000 | BOLT, STUD (H=42.5MM) | 1 | |
| 031 | 93891-0501008 | SCREW-WASHER, 5X10 | 1 | |
| 040 | 95002-4080008 | CLAMP, TUBE (D8) | 2 | |
| 041 | 95002-4100008 | CLAMP, TUBE (D10) | 1 | |
| 042 | 95002-4120008 | CLAMP, TUBE (D12) | 1 | |

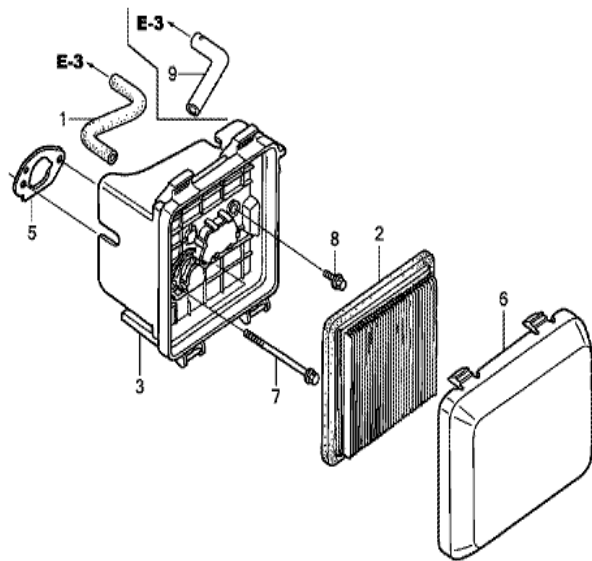
| | |
|-----------------|-----------------|
| GCV160LA0(A1AF) | E-14 CARBURETOR |
|-----------------|-----------------|



| Ref | Partnumber | Description | GCV160LA0 | Serial Numbers |
|-----|---------------|----------------------------|-----------|-----------------|
| 001 | 16010-883-015 | PACKING SET | 1 | |
| 002 | 16013-ZL1-003 | FLOAT SET | 1 | |
| 003 | 16015-ZOL-881 | CHAMBER SET, FLOAT | 1 | |
| 003 | 16015-ZOL-881 | CHAMBER SET, FLOAT | 1 | BB65E B |
| 005 | 16028-ZE0-005 | SCREW SET | 1 | |
| 007 | 16100-ZOL-862 | CARBURETOR ASSY. (BB65A B) | 1 | |
| 007 | 16100-ZOL-862 | CARBURETOR ASSY. (BB65A B) | 1 | 1854820 |
| 007 | 16100-ZOL-862 | CARBURETOR ASSY. (BB65A B) | 1 | 1854820 |
| 007 | 16100-ZOL-862 | CARBURETOR ASSY. (BB65A B) | 1 | 7065312 |
| 007 | 16100-ZOL-862 | CARBURETOR ASSY. (BB65A B) | 1 | 1854820 |
| 007 | 16100-ZOL-863 | CARBURETOR ASSY. (BB65A B) | 1 | 1854821 |
| 007 | 16100-ZOL-863 | CARBURETOR ASSY. (BB65A B) | 1 | 1854821 |
| 007 | 16100-ZOL-863 | CARBURETOR ASSY. (BB65A B) | 1 | 1854821 2748628 |

| <u>Ref</u> | <u>Partnumber</u> | <u>Description</u> | <u>GCV160LA0</u> | <u>Serial Numbers</u> |
|------------|-------------------|----------------------------|------------------|-----------------------|
| 007 | 16100-ZOL-863 | CARBURETOR ASSY. (BB65A B) | 1 | 1854821 |
| 008 | 16155-ZM0-013 | VALVE, FLOAT | 1 | BB62B E |
| 008 | 16155-ZM0-013 | VALVE, FLOAT | 1 | |
| 009 | 16166-ZM0-003 | NOZZLE, MAIN | 1 | |
| 009 | 16166-ZM0-003 | NOZZLE, MAIN | 1 | |
| 009 | 16166-ZM0-003 | NOZZLE, MAIN | 1 | |
| 009 | 16166-ZM0-003 | NOZZLE, MAIN | 1 | |
| 009 | 16166-ZM0-003 | NOZZLE, MAIN | 1 | |
| 009 | 16166-ZM0-003 | NOZZLE, MAIN | 1 | |
| 010 | 16211-ZL8-000 | INSULATOR, CARBURETOR | 1 | |
| 010 | 16211-ZL8-000 | INSULATOR, CARBURETOR | 1 | |
| 010 | 16211-ZL8-000 | INSULATOR, CARBURETOR | 1 | |
| 011 | 16212-ZL8-000 | PACKING, INSULATOR | 1 | |
| 013 | 16228-ZL8-000 | PACKING, CARBURETOR | 1 | |
| 013 | 16228-ZL8-000 | PACKING, CARBURETOR | 1 | |
| 015 | 93500-050061H | SCREW, PAN, 5X6 | 1 | |
| 016 | 99101-1240600 | JET, MAIN, #60 | (1) | |
| 016 | 99101-1240600 | JET, MAIN, #60 | (1) | BB65K A |
| 016 | 99101-1240600 | JET, MAIN, #60 | (1) | |
| 016 | 99101-1240620 | JET, MAIN, #62 | (1) | BB75E A |
| 016 | 99101-1240620 | JET, MAIN, #62 | (1) | |
| 016 | 99101-1240620 | JET, MAIN, #62 | (1) | BB75E A |
| 016 | 99101-1240620 | JET, MAIN, #62 | (1) | |
| 016 | 99101-1240620 | JET, MAIN, #62 | (1) | BB75E A |
| 016 | 99101-1240650 | JET, MAIN, #65 | 1 | BB65K A |
| 016 | 99101-1240650 | JET, MAIN, #65 | 1 | |
| 016 | 99101-1240650 | JET, MAIN, #65 | 1 | BB65K A |
| 016 | 99101-1240650 | JET, MAIN, #65 | 1 | |
| 016 | 99101-1240650 | JET, MAIN, #65 | 1 | BB65A C |
| 026 | 19651-ZOL-000 | GUIDE, AIR | 1 | |

| | |
|-----------------|------------------|
| GCV160LA0(A1AF) | E-15 AIR CLEANER |
|-----------------|------------------|

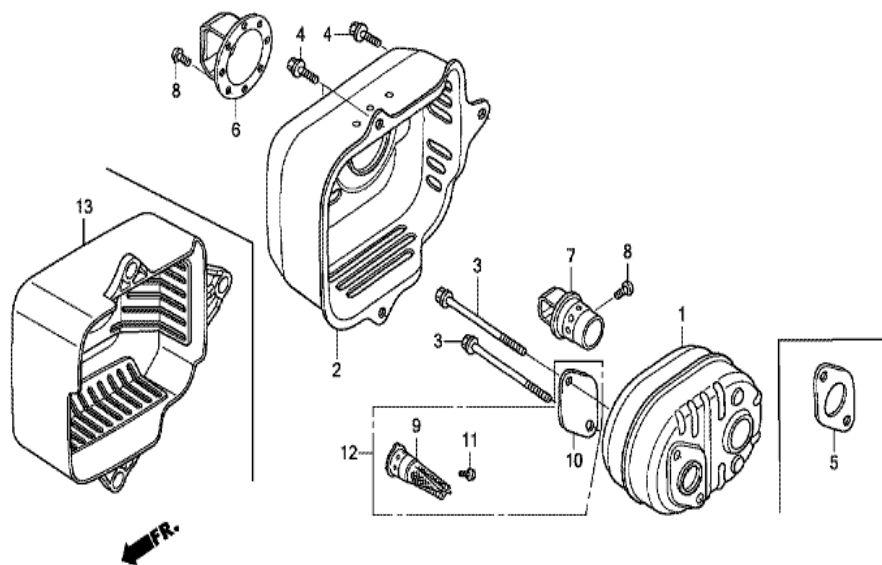


ZM0E1500B

| Ref | Partnumber | Description | GCV160LA0 | Serial Numbers |
|-----|---------------|----------------------------------|-----------|-----------------|
| 001 | 15721-ZM0-000 | TUBE, BREATHER | 1 | |
| 001 | 15721-ZM0-000 | TUBE, BREATHER | 1 | |
| 002 | 17211-ZL8-023 | ELEMENT, AIR CLEANER (TOYO ROKI) | 1 | |
| 002 | 17211-ZL8-023 | ELEMENT, AIR CLEANER (TOYO ROKI) | 1 | |
| 002 | 17211-ZL8-023 | ELEMENT, AIR CLEANER (TOYO ROKI) | 1 | |
| 002 | 17211-ZL8-023 | ELEMENT, AIR CLEANER (TOYO ROKI) | 1 | |
| 003 | 17220-ZM0-010 | CASE ASSY., AIR CLEANER | 1 | 6624356 |
| 003 | 17220-ZM0-010 | CASE ASSY., AIR CLEANER | 1 | |
| 003 | 17220-ZM0-010 | CASE ASSY., AIR CLEANER | 1 | 1079019 |
| 003 | 17220-ZM0-010 | CASE ASSY., AIR CLEANER | 1 | |
| 003 | 17220-ZM0-010 | CASE ASSY., AIR CLEANER | 1 | 1167575 |
| 003 | 17220-ZM0-020 | CASE ASSY., AIR CLEANER | 1 | 1167576 1239013 |
| 003 | 17220-ZM0-020 | CASE ASSY., AIR CLEANER | 1 | 1239013 |

| <u>Ref</u> | <u>Partnumber</u> | <u>Description</u> | <u>GCV160LA0</u> | <u>Serial Numbers</u> |
|------------|-------------------|----------------------------|------------------|-----------------------|
| 003 | 17220-ZM0-020 | CASE ASSY., AIR CLEANER | 1 | 1079020 |
| 003 | 17220-ZM0-020 | CASE ASSY., AIR CLEANER | 1 | 1167576 1239013 |
| 003 | 17220-ZM0-020 | CASE ASSY., AIR CLEANER | 1 | 1167576 1239013 |
| 003 | 17220-ZM0-030 | CASE ASSY., AIR CLEANER | 1 | 1239014 |
| 003 | 17220-ZM0-030 | CASE ASSY., AIR CLEANER | 1 | |
| 003 | 17220-ZM0-030 | CASE ASSY., AIR CLEANER | 1 | |
| 003 | 17220-ZM0-030 | CASE ASSY., AIR CLEANER | 1 | 1239014 |
| 003 | 17220-ZM0-030 | CASE ASSY., AIR CLEANER | 1 | 1239014 |
| 005 | 17228-Z8B-000 | PACKING, AIR CLEANER | 1 | 1546575 1827257 |
| 005 | 17228-Z8B-000 | PACKING, AIR CLEANER | 1 | 3006818 |
| 005 | 17228-Z8B-000 | PACKING, AIR CLEANER | 1 | 3006818 3454521 |
| 005 | 17228-ZM0-000 | PACKING, AIR CLEANER | 1 | |
| 005 | 17228-ZM0-000 | PACKING, AIR CLEANER | 1 | |
| 005 | 17228-ZM0-000 | PACKING, AIR CLEANER | 1 | 1546574 |
| 005 | 17228-ZM0-000 | PACKING, AIR CLEANER | 1 | 3006817 |
| 006 | 17231-ZOL-030 | COVER, AIR CLEANER | 1 | 1167575 |
| 006 | 17231-ZOL-030 | COVER, AIR CLEANER | 1 | 1117443 |
| 006 | 17231-ZOL-050 | COVER, AIR CLEANER | 1 | 1117444 |
| 006 | 17231-ZOL-050 | COVER, AIR CLEANER | 1 | 1167576 |
| 007 | 90003-ZM0-010 | BOLT, FLANGE, 6X85 (CT200) | 2 | |
| 007 | 90003-ZM0-010 | BOLT, FLANGE, 6X85 (CT200) | 2 | |
| 007 | 90003-ZM0-010 | BOLT, FLANGE, 6X85 (CT200) | 2 | |
| 007 | 90003-ZM0-010 | BOLT, FLANGE, 6X85 (CT200) | 2 | |
| 007 | 90003-ZM0-010 | BOLT, FLANGE, 6X85 (CT200) | 2 | |

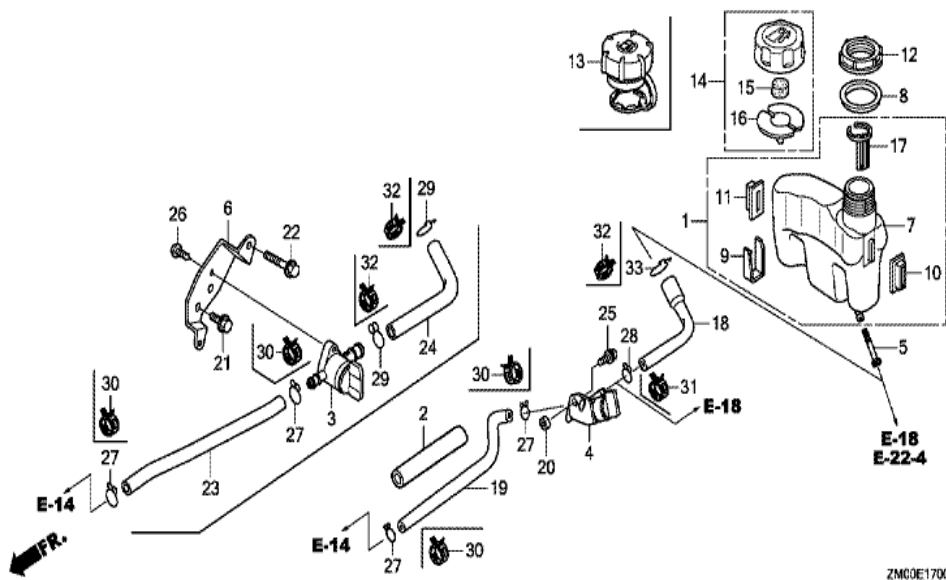
| | |
|-----------------|--------------|
| GCV160LA0(A1AF) | E-16 MUFFLER |
|-----------------|--------------|



ZMC0E16003

| Ref | Partnumber | Description | GCV160LA0 | Serial Numbers |
|------------|-------------------|----------------------------|------------------|-----------------------|
| 001 | 18310-ZM0-000 | MUFFLER COMP. | 1 | |
| 001 | 18310-ZM0-000 | MUFFLER COMP. | 1 | |
| 001 | 18310-ZM0-000 | MUFFLER COMP. | 1 | |
| 002 | 18321-Z0L-000 | PROTECTOR, MUFFLER | 1 | |
| 002 | 18321-Z0L-000 | PROTECTOR, MUFFLER | 1 | 1152561 |
| 002 | 18321-Z0L-000 | PROTECTOR, MUFFLER | 1 | 1237556 |
| 002 | 18321-Z0L-010 | PROTECTOR, MUFFLER | 1 | 1237557 |
| 002 | 18321-Z0L-010 | PROTECTOR, MUFFLER | 1 | 1152562 |
| 002 | 18321-Z0L-010 | PROTECTOR, MUFFLER | 1 | 1237557 |
| 003 | 90004-ZL8-000 | BOLT, FLANGE, 6X79 (CT200) | 2 | |
| 003 | 90004-ZL8-000 | BOLT, FLANGE, 6X79 (CT200) | 2 | |
| 004 | 90013-883-000 | BOLT, FLANGE, 6X12 (CT200) | 3 | |
| 005 | 18381-ZL8-305 | GASKET, MUFFLER | 1 | |
| <u>Ref</u> | <u>Partnumber</u> | <u>Description</u> | <u>GCV160LA0</u> | <u>Serial Numbers</u> |
| 005 | 18381-ZL8-305 | GASKET, MUFFLER | (1) | |
| 009 | 18350-ZL8-000 | ARRESTER COMP., SPARK | 1 | |
| 009 | 18350-ZL8-000 | ARRESTER COMP., SPARK | (1) | |
| 010 | 18356-ZL8-000 | PLATE, ARRESTER NUMBER | (1) | |
| 011 | 90055-ZE1-000 | SCREW, TAPPING, 4X6 | 1 | |
| 011 | 90055-ZE1-000 | SCREW, TAPPING, 4X6 | (1) | |
| 012 | 06180-Z0J-000 | ARRESTER KIT, SPARK | (1) | |

| | |
|-----------------|----------------|
| GCV160LA0(A1AF) | E-17 FUEL TANK |
|-----------------|----------------|

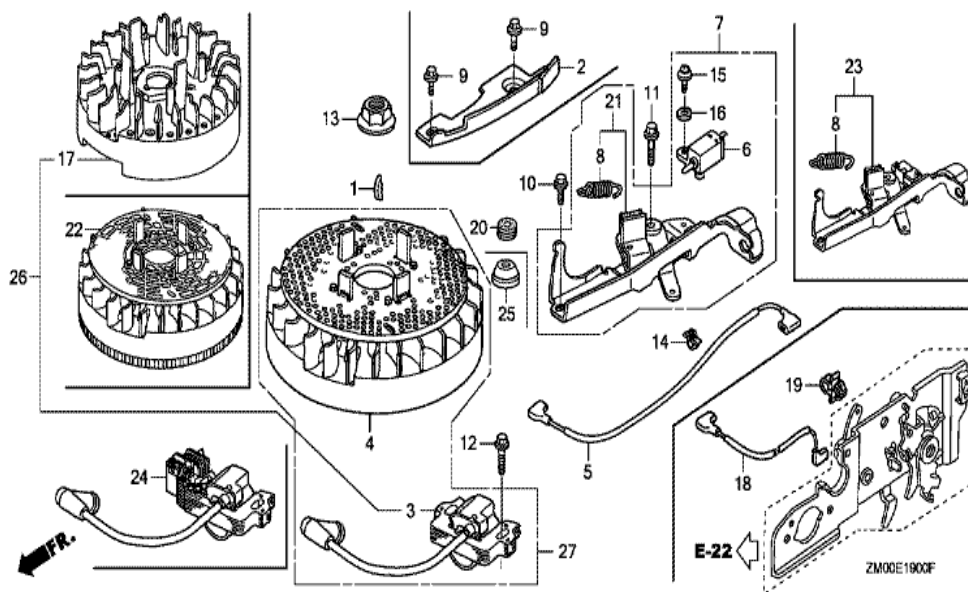


ZM00E1700

| <u>Ref</u> | <u>Partnumber</u> | <u>Description</u> | <u>GCV160LA0</u> | <u>Serial Numbers</u> |
|------------|-------------------|---------------------------|------------------|-----------------------|
| 002 | 16854-ZH8-000 | RUBBER, SUPPORTER (107MM) | 1 | |
| 004 | 16950-ZM0-003 | COCK ASSY., FUEL | 1 | |
| 005 | 16952-ZA8-800 | STRAINER, FUEL | 1 | |
| 005 | 16952-ZA8-800 | STRAINER, FUEL | 1 | |
| 008 | 17514-Z0L-000 | SEAL, FUEL FILLER NECK | 1 | |
| 009 | 17516-Z0L-000 | CLIP, TANK MOUNTING | 1 | |
| 012 | 17534-Z0L-000 | NUT, TANK MOUNTING | 1 | |
| 013 | 17620-Z0J-800 | CAP ASSY., FUEL TANK | 1 | |
| 017 | 17636-Z0L-010 | GAUGE, FUEL LEVEL | 1 | |
| 018 | 17701-Z8B-811 | TUBE, FUEL TANK (FKM) | 1 | |
| 018 | 17701-Z8B-811 | TUBE, FUEL TANK (FKM) | 1 | |
| 019 | 17702-Z8B-801 | TUBE, FUEL (FKM) | 1 | |
| 020 | 91501-Z0L-800 | COLLAR, FUEL COCK | 1 | |
| <u>Ref</u> | <u>Partnumber</u> | <u>Description</u> | <u>GCV160LA0</u> | <u>Serial Numbers</u> |
| 025 | 93891-0501008 | SCREW-WASHER, 5X10 | 1 | |
| 030 | 95002-4080008 | CLAMP, TUBE (D8) | 2 | |
| 031 | 95002-4100008 | CLAMP, TUBE (D10) | 1 | |
| 032 | 95002-4120008 | CLAMP, TUBE (D12) | 1 | |

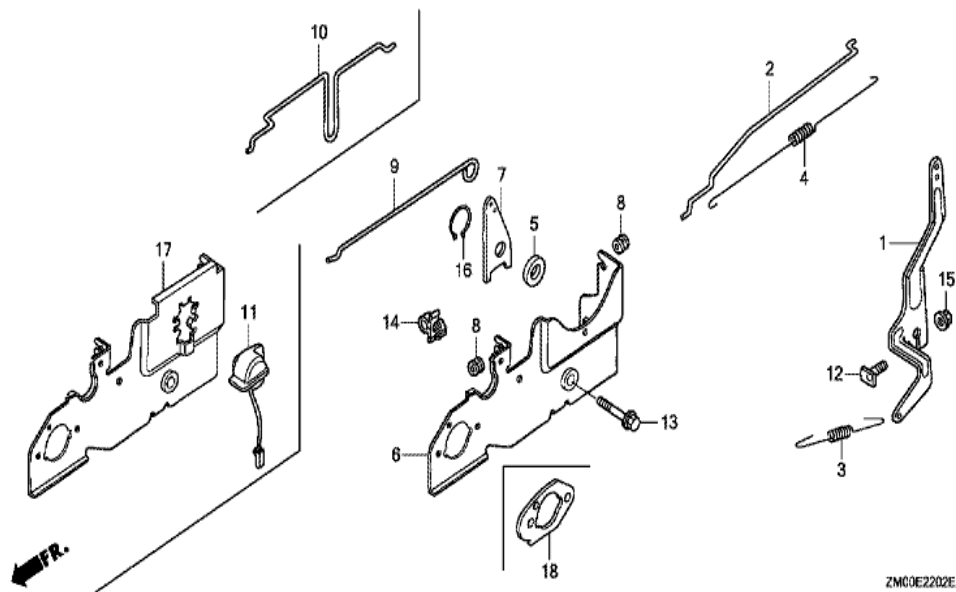
GCV160LA0(A1AF)

E-19 FLYWHEEL (1)



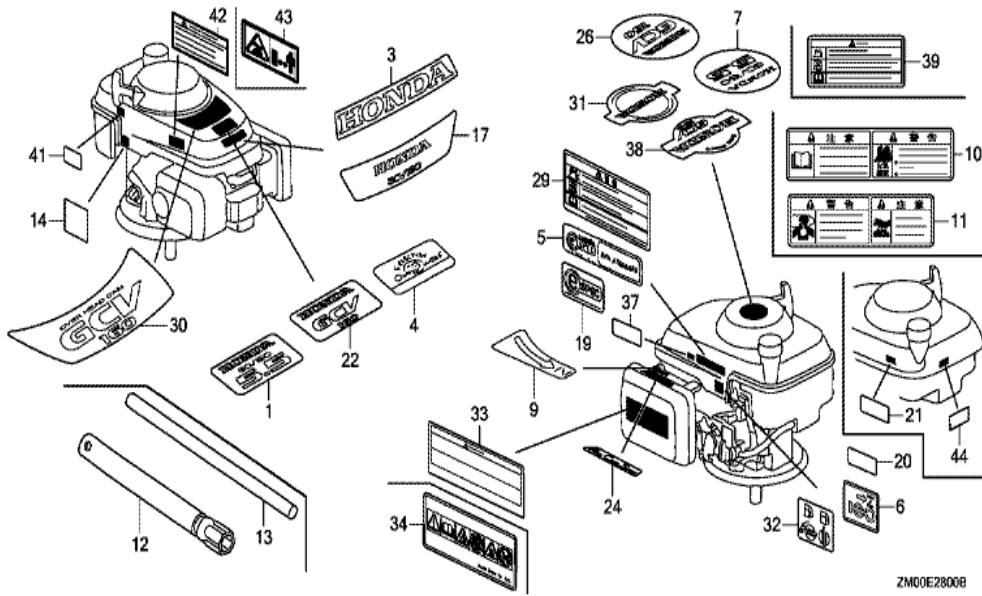
| Ref | Partnumber | Description | GCV160LA0 | Serial Numbers |
|-----|---------------|---|-----------|----------------|
| 001 | 13331-357-000 | KEY, SPECIAL WOODRUFF, 25X18 | 1 | |
| 003 | 30500-ZL8-014 | COIL ASSY., IGNITION (TEC) (USE FOR F/W | 1 | |
| 003 | 30500-ZL8-014 | COIL ASSY., IGNITION (TEC) (USE FOR F/W | 1 | |
| 004 | 31105-ZM0-000 | FLYWHEEL ASSY. (TEC) (USE FOR IGN. COIL | 1 | |
| 004 | 31105-ZM0-000 | FLYWHEEL ASSY. (TEC) (USE FOR IGN. COIL | 1 | |
| 005 | 32195-Z0L-000 | CORD, STOP SWITCH | 1 | |
| 006 | 35120-ZM0-003 | SWITCH ASSY., ENGINE STOP (N.C) | 1 | |
| 007 | 75100-Z0L-900 | BRAKE ASSY. | 1 | |
| 007 | 75100-Z0L-900 | BRAKE ASSY. | 1 | |
| 008 | 75113-ZM0-000 | SPRING, BRAKE LEVER | 1 | |
| 010 | 90014-952-000 | BOLT, FLANGE, 6X14 (CT200) | 1 | |
| 011 | 90018-ZE1-000 | BOLT, FLANGE, 6X23 (CT200) | 1 | |
| 011 | 90018-ZE1-000 | BOLT, FLANGE, 6X23 (CT200) | 1 | |
| Ref | Partnumber | Description | GCV160LA0 | Serial Numbers |
| 012 | 90018-ZE1-000 | BOLT, FLANGE, 6X23 (CT200) | 1 | |
| 012 | 90018-ZE1-000 | BOLT, FLANGE, 6X23 (CT200) | 1 | 6702083 |
| 013 | 90201-Z0T-800 | NUT, SPECIAL, 14MM | 1 | |
| 013 | 90201-Z0T-800 | NUT, SPECIAL, 14MM | 1 | |
| 014 | 51125-Z0L-003 | HOLDER, WIRE (FASTEX) | 1 | |
| 014 | 51125-Z0L-003 | HOLDER, WIRE (FASTEX) | 1 | |
| 014 | 90681-959-003 | CLIP A, CABLE (NIFCO) (3.8MM BLACK) | 1 | |
| 014 | 90681-959-003 | CLIP A, CABLE (NIFCO) (3.8MM BLACK) | 1 | |
| 015 | 93892-0401200 | SCREW-WASHER, 4X12 | 1 | |
| 016 | 94103-04000 | WASHER, PLAIN, 4MM | 1 | |
| 021 | 75110-Z0L-900 | BRAKE SUB ASSY. | 1 | 7132771 |
| 021 | 75110-Z0L-900 | BRAKE SUB ASSY. | 1 | |

| | |
|-----------------|--------------------|
| GCV160LA0(A1AF) | E-22-2 CONTROL (3) |
|-----------------|--------------------|



| <u>Ref</u> | <u>Partnumber</u> | <u>Description</u> | <u>GCV160LA0</u> | <u>Serial Numbers</u> |
|------------|-------------------|----------------------------|------------------|-----------------------|
| 001 | 16551-ZM0-010 | ARM, GOVERNOR | 1 | |
| 002 | 16555-Z0L-801 | ROD, GOVERNOR | 1 | |
| 003 | 16561-Z0L-000 | SPRING, GOVERNOR | 1 | |
| 003 | 16561-Z0L-000 | SPRING, GOVERNOR | 1 | |
| 004 | 16562-ZM0-000 | SPRING, THROTTLE RETURN | 1 | |
| 005 | 16578-Z0L-810 | SPACER, CONTROL LEVER | 1 | |
| 006 | 16580-Z0L-810 | BASE COMP., CONTROL | 1 | |
| 007 | 16612-Z0L-810 | LEVER, CHOKE | 1 | |
| 008 | 16613-893-000 | GROMMET, CHOKE ROD | 1 | |
| 010 | 16674-Z0L-810 | ROD, CHOKE | 1 | |
| 012 | 90015-ZE5-010 | BOLT, GOVERNOR ARM | 1 | |
| 013 | 90016-ZE8-000 | BOLT, FLANGE, 6X45 (CT200) | 1 | |
| 015 | 94050-06000 | NUT, FLANGE, 6MM | 1 | |
| <u>Ref</u> | <u>Partnumber</u> | <u>Description</u> | <u>GCV160LA0</u> | <u>Serial Numbers</u> |
| 016 | 94511-14000 | CIRCLIP, EXTERNAL, 14MM | 1 | |

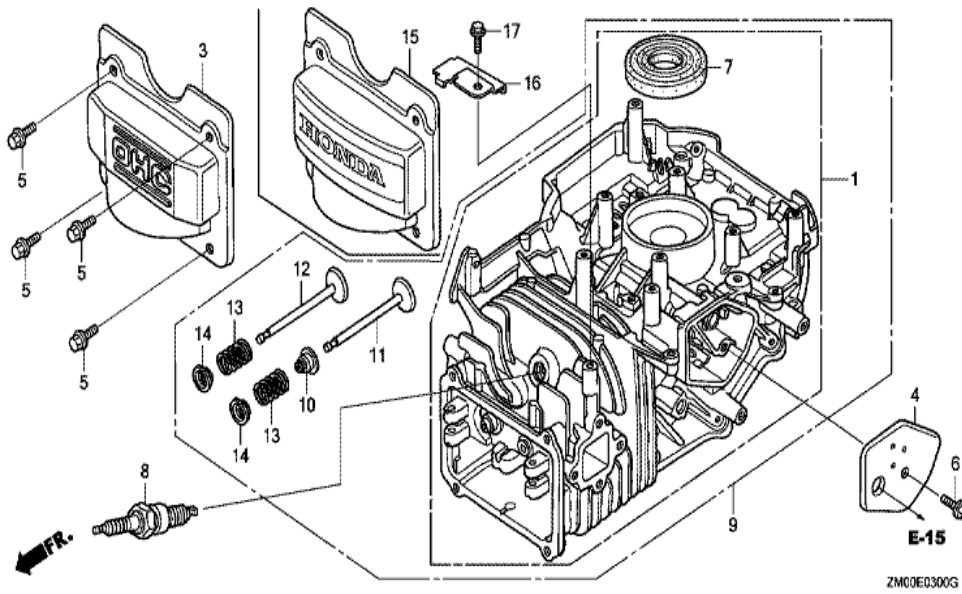
| | |
|-----------------|-----------------|
| GCV160LA0(A1AF) | E-28 LABEL/TOOL |
|-----------------|-----------------|



| Ref | Partnumber | Description | GCV160LA0 | Serial Numbers |
|-----|---------------|---|-----------|----------------|
| 020 | 87114-ZH7-821 | LABEL, WARNING (NOT CERTIFIED FOR SALE) | 1 | 2075803 |
| 020 | 87114-ZH7-821 | LABEL, WARNING (NOT CERTIFIED FOR SALE) | 1 | |
| 030 | 87101-Z8B-000 | MARK, EMBLEM (GCV160) | 1 | |
| 031 | 87169-Z8E-000 | MARK, RECOIL COVER | 1 | |
| 032 | 87524-Z8B-000 | MARK, FUEL COCK CAUTION | 1 | |

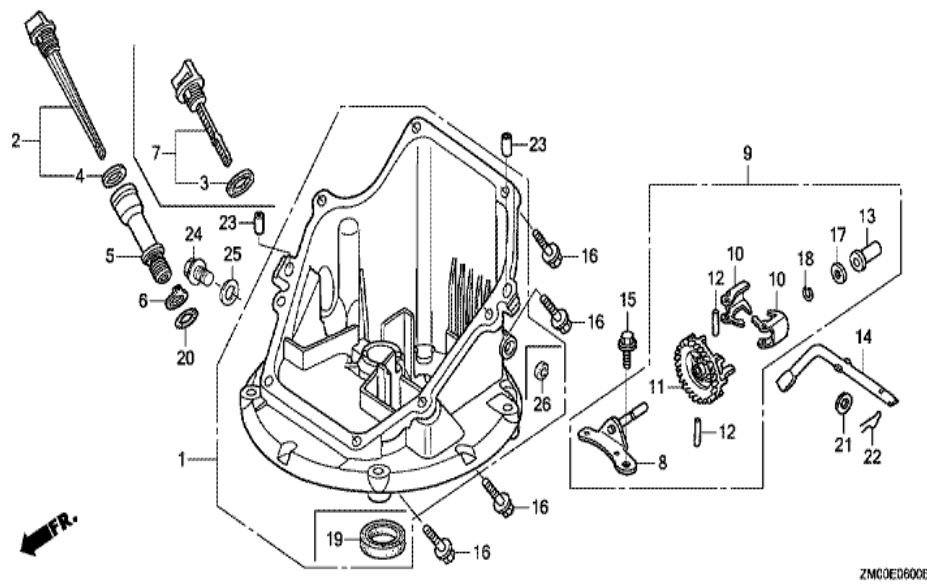
GCV160LA0(A1AF)

E-3 CYLINDER BARREL



| Ref | Partnumber | Description | GCV160LA0 | Serial Numbers |
|------------|-------------------|----------------------------|------------------|-----------------------|
| 001 | 12000-Z0L-406 | BARREL ASSY., CYLINDER | 1 | 1231612 |
| 001 | 12000-Z0L-406 | BARREL ASSY., CYLINDER | 1 | |
| 003 | 12311-ZL8-000 | COVER, HEAD | 1 | |
| 003 | 12311-ZL8-000 | COVER, HEAD | 1 | 1677021 |
| 003 | 12311-ZL8-000 | COVER, HEAD | 1 | 3228868 |
| 004 | 12355-ZL8-000 | COVER COMP., BREATHER | 1 | |
| 005 | 90013-883-000 | BOLT, FLANGE, 6X12 (CT200) | 4 | |
| 006 | 90014-952-000 | BOLT, FLANGE, 6X14 (CT200) | 1 | |
| 007 | 91201-ZL8-003 | OIL SEAL, 25.4X62X6 | 1 | |
| 007 | 91201-ZL8-003 | OIL SEAL, 25.4X62X6 | 1 | |
| 008 | 98079-55846 | PLUG, SPARK (BPR5ES) (NGK) | 1 | |
| 008 | 98079-55846 | PLUG, SPARK (BPR5ES) (NGK) | 1 | 2218978 |
| 010 | 12209-ZM0-003 | SEAL, VALVE STEM | 1 | |
| <u>Ref</u> | <u>Partnumber</u> | <u>Description</u> | <u>GCV160LA0</u> | <u>Serial Numbers</u> |
| 010 | 12209-ZM0-003 | SEAL, VALVE STEM | 1 | |
| 011 | 14711-Z0J-000 | VALVE, IN. (ROCKNEL) | 1 | |
| 011 | 14711-Z0J-000 | VALVE, IN. (ROCKNEL) | 1 | 6330748 |
| 011 | 14711-Z0J-800 | VALVE, IN. | 1 | |
| 011 | 14711-ZL8-000 | VALVE, IN. (TECHNOSTAR) | 1 | |
| 011 | 14711-ZL8-000 | VALVE, IN. (TECHNOSTAR) | 1 | |
| 012 | 14721-ZL8-000 | VALVE, EX. (L8E) | 1 | |
| 012 | 14721-ZL8-000 | VALVE, EX. (L8E) | 1 | |
| 013 | 14751-ZL8-000 | SPRING, VALVE | 2 | |
| 014 | 14771-Z0J-000 | RETAINER, VALVE SPRING | 2 | |
| 014 | 14771-Z0J-000 | RETAINER, VALVE SPRING | 2 | |
| 015 | 12311-Z8B-000 | COVER, HEAD | 1 | 1677022 |
| 015 | 12311-Z8B-000 | COVER, HEAD | 1 | 3228869 |

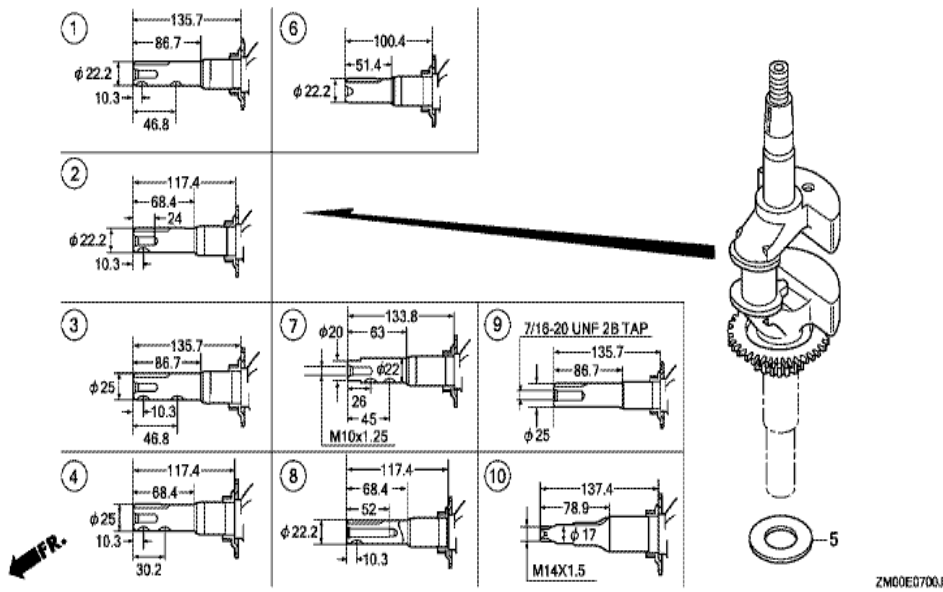
| | |
|-----------------|-------------|
| GCV160LA0(A1AF) | E-6 OIL PAN |
|-----------------|-------------|



| Ref | Partnumber | Description | GCV160LA0 | Serial Numbers |
|-----|---------------|------------------------------|-----------|----------------|
| 001 | 11300-ZM0-405 | PAN ASSY., OIL | 1 | |
| 001 | 11300-ZM0-405 | PAN ASSY., OIL | 1 | 1212768 |
| 003 | 15625-Z2L-801 | PACKING, OIL FILLER CAP | 1 | |
| 003 | 15625-Z2L-801 | PACKING, OIL FILLER CAP | 1 | 3724307 |
| 007 | 15650-ZOL-000 | GAUGE ASSY., OIL LEVEL | 1 | |
| 007 | 15650-ZOL-000 | GAUGE ASSY., OIL LEVEL | 1 | 3724307 |
| 008 | 16508-ZM0-010 | SHAFT COMP., GOVERNOR HOLDER | 1 | |
| 008 | 16508-ZM0-010 | SHAFT COMP., GOVERNOR HOLDER | 1 | |
| 008 | 16508-ZM0-010 | SHAFT COMP., GOVERNOR HOLDER | 1 | |
| 009 | 16510-ZM0-010 | GOVERNOR ASSY. | 1 | |
| 009 | 16510-ZM0-010 | GOVERNOR ASSY. | 1 | |
| 009 | 16510-ZM0-010 | GOVERNOR ASSY. | 1 | |
| 010 | 16511-ZL8-000 | WEIGHT, GOVERNOR | 2 | |

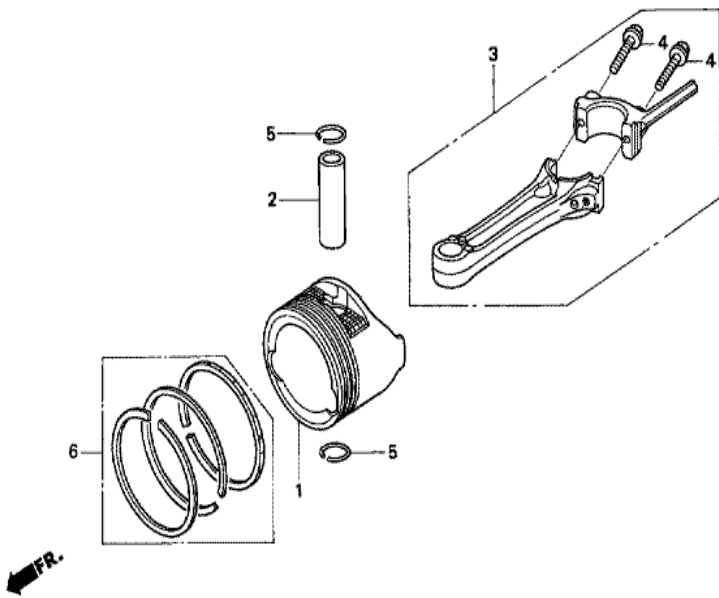
| <u>Ref</u> | <u>Partnumber</u> | <u>Description</u> | <u>GCV160LA0</u> | <u>Serial Numbers</u> |
|------------|-------------------|----------------------------|------------------|-----------------------|
| 010 | 16511-ZL8-000 | WEIGHT, GOVERNOR | 2 | |
| 011 | 16512-ZM0-000 | HOLDER, GOVERNOR WEIGHT | 1 | |
| 011 | 16512-ZM0-000 | HOLDER, GOVERNOR WEIGHT | 1 | |
| 012 | 16513-ZE1-000 | PIN, GOVERNOR WEIGHT | 2 | |
| 013 | 16531-ZE1-000 | SLIDER, GOVERNOR | 1 | |
| 013 | 16531-ZE1-000 | SLIDER, GOVERNOR | 1 | |
| 014 | 16541-Z8B-000 | SHAFT, GOVERNOR ARM | 1 | 1642936 |
| 014 | 16541-Z8B-000 | SHAFT, GOVERNOR ARM | 1 | 1642936 |
| 014 | 16541-ZM0-000 | SHAFT, GOVERNOR ARM | 1 | |
| 014 | 16541-ZM0-000 | SHAFT, GOVERNOR ARM | 1 | 1642935 |
| 015 | 90014-952-000 | BOLT, FLANGE, 6X14 (CT200) | 1 | |
| 016 | 90121-952-000 | BOLT, FLANGE, 6X25 (CT200) | 8 | |
| 016 | 90121-952-000 | BOLT, FLANGE, 6X25 (CT200) | 8 | |
| 016 | 90121-952-000 | BOLT, FLANGE, 6X25 (CT200) | 8 | |
| 017 | 90451-ZE1-000 | WASHER, THRUST, 6MM | 1 | |
| 017 | 90451-ZE1-000 | WASHER, THRUST, 6MM | 1 | |
| 018 | 90602-ZE1-000 | CLIP, GOVERNOR HOLDER | 1 | |
| 018 | 90602-ZE1-000 | CLIP, GOVERNOR HOLDER | 1 | |
| 019 | 91202-ZL8-003 | OIL SEAL, 28X41.25X6 | 1 | |
| 021 | 94101-06800 | WASHER, PLAIN, 6MM | 1 | |
| 022 | 94251-08000 | PIN, LOCK, 8MM | 1 | |
| 023 | 94301-08200 | DOWEL PIN, 8X20 | 2 | |
| 023 | 94301-08200 | DOWEL PIN, 8X20 | 2 | |

| | |
|-----------------|--------------------|
| GCV160LA0(A1AF) | E-7 CRANKSHAFT (1) |
|-----------------|--------------------|



| Ref | Partnumber | Description | GCV160LA0 | Serial Numbers |
|-----|---------------|------------------|-----------|----------------|
| 001 | 13310-ZM0-000 | CRANKSHAFT COMP. | 1 | |
| 001 | 13310-ZM0-000 | CRANKSHAFT COMP. | 1 | 3882821 |
| 005 | 90402-ZL8-000 | WASHER, THRUST | 1 | |

| | |
|-----------------|---------------------------|
| GCV160LA0(A1AF) | E-8 PISTON/CONNECTING ROD |
|-----------------|---------------------------|



ZM00-B0800A

| Ref | Partnumber | Description | GCV160LA0 | Serial Numbers |
|-----|---------------|-----------------------------------|-----------|----------------|
| 001 | 13101-Z2A-010 | PISTON | 1 | 5383515 |
| 001 | 13101-Z2A-010 | PISTON | 1 | |
| 002 | 13111-ZE0-000 | PIN, PISTON | 1 | |
| 002 | 13111-ZE0-000 | PIN, PISTON | 1 | |
| 002 | 13111-ZE0-000 | PIN, PISTON | 1 | |
| 002 | 13111-ZE0-000 | PIN, PISTON | 1 | |
| 003 | 13200-Z0J-000 | ROD ASSY., CONNECTING | 1 | |
| 003 | 13200-Z0J-000 | ROD ASSY., CONNECTING | 1 | |
| 004 | 90001-ZE1-000 | BOLT, CONNECTING ROD | 2 | |
| 004 | 90001-ZE1-000 | BOLT, CONNECTING ROD | 2 | |
| 005 | 90551-ZE0-000 | CLIP, PISTON PIN, 13MM | 2 | |
| 006 | 13010-ZOL-014 | RING SET, PISTON (STD.) (TEIKOKU) | 1 | 2033979 |
| 006 | 13010-ZOL-014 | RING SET, PISTON (STD.) (TEIKOKU) | 1 | |