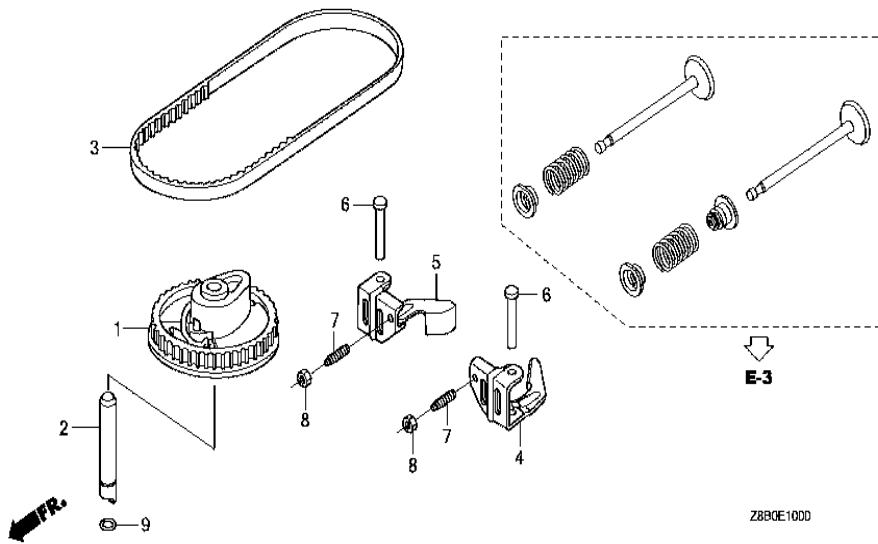
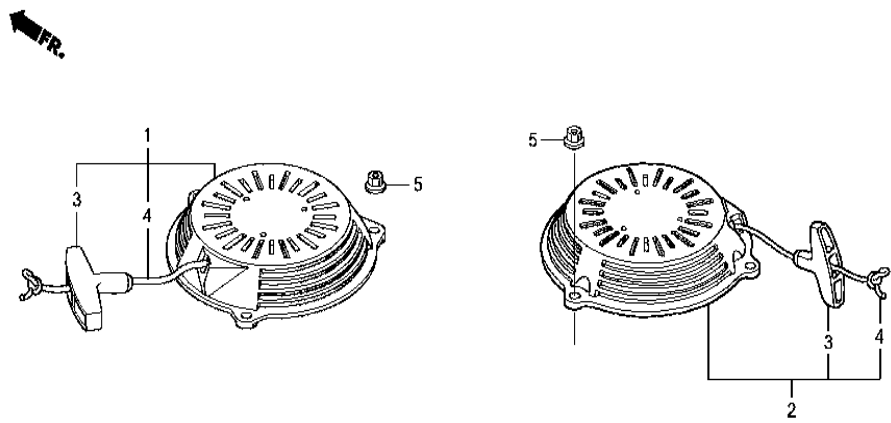


GCV160LA(S1A)	E-10 CAMSHAFT PULLEY
---------------	----------------------



Ref	Partnumber	Description	GCV160LA	Serial Numbers
001	14320-ZL8-010	PULLEY COMP., CAMSHAFT	1	
002	14324-ZL8-000	SHAFT, CAM PULLEY	1	
003	14400-ZOJ-014	BELT, TIMING (84HU7 G-200)	1	
004	14431-ZOJ-000	ARM, IN. VALVE ROCKER	1	
005	14441-ZOJ-000	ARM, EX. VALVE ROCKER	1	
006	14461-ZL8-000	SHAFT, ROCKER ARM	2	
007	90012-333-000	SCREW, TAPPET ADJUSTING	2	
008	90206-001-000	NUT, TAPPET ADJUSTING	2	
009	91301-ZM0-V31	O-RING, 6.8X1.9 (ARAI)	1	

GCV160LA(S1A)	E-11 RECOIL STARTER
---------------	---------------------

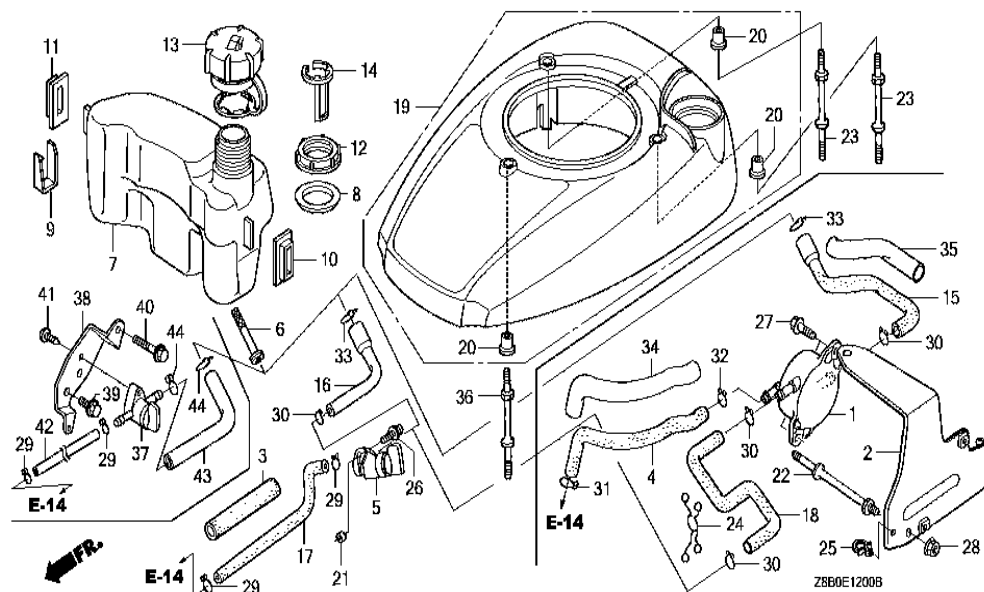


Z8B0E1100

Ref	Partnumber	Description	GCV160LA	Serial Numbers
002	28400-ZM0-633ZA	STARTER ASSY., RECOIL (LONG ROPE) *NH1*	1	
003	28461-ZL8-003	GRIP, STARTER	1	
004	28462-ZL8-631	ROPE, RECOIL STARTER (LONG TYPE)	1	
005	90201-ZM0-000	NUT, FLANGE, 6MM	3	

GCV160LA(S1A)

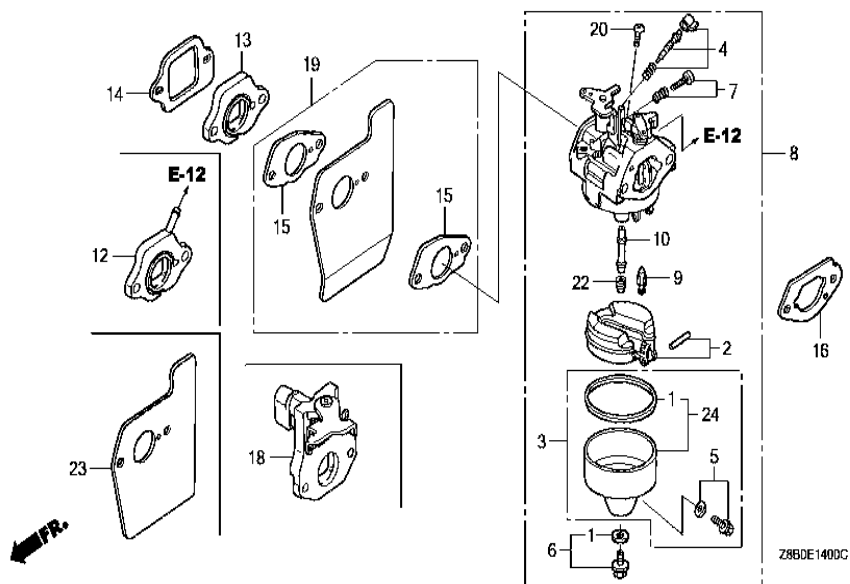
E-12 FAN COVER



Ref	Partnumber	Description	GCV160LA	Serial Numbers
003	16854-ZH8-000	RUBBER, SUPPORTER (107MM)	1	6901760
005	16950-ZM0-003	COCK ASSY., FUEL	1	6901760
006	16952-ZA8-800	STRAINER, FUEL	1	
007	17511-ZOL-000	TANK, FUEL	1	6183839
007	17511-ZOL-010	TANK, FUEL	1	
008	17514-ZOL-000	SEAL, FUEL FILLER NECK	1	
009	17516-ZOL-000	CLIP, TANK MOUNTING	1	
010	17532-ZOL-000	RUBBER A, TANK MOUNTING	1	
011	17533-ZOL-000	RUBBER B, TANK MOUNTING	1	
012	17534-ZOL-000	NUT, TANK MOUNTING	1	
013	17620-ZOJ-800	CAP ASSY., FUEL TANK	1	
014	17636-ZOL-000	GAUGE, FUEL LEVEL	1	
016	17701-ZOL-810	TUBE, FUEL TANK	1	6901760

<u>Ref</u>	<u>Partnumber</u>	<u>Description</u>	<u>GCV160LA</u>	<u>Serial Numbers</u>
017	17702-ZM0-800	TUBE, FUEL	1	6901760
019	19610-Z0L-860ZA	COVER COMP., FAN *NH1 *	1	6702082
019	19610-Z0L-861ZA	COVER COMP., FAN *NH1*	1	6702083
020	19619-ZL8-300	COLLAR, FAN COVER	3	
021	91501-Z0L-800	COLLAR, FUEL COCK	1	6901760
023	90043-ZL8-000	BOLT, STUD (H=42.5MM)	2	
026	93891-0501008	SCREW-WASHER, 5X10	1	6901760
029	95002-02080	CLIP, TUBE (B8)	2	
030	95002-02100	CLIP, TUBE (B10)	1	6901760
033	95002-70000	CLIP, TUBE (C11)	1	6901760
036	90043-ZL8-000	BOLT, STUD (H=42.5MM)	1	6702082
037	16950-Z0Y-003	COCK ASSY., FUEL	1	6901761
038	16961-Z0L-900	STAY, FUEL COCK	1	6901761
039	90013-883-000	BOLT, FLANGE, 6X12 (CT200)	1	6901761
040	90015-883-000	BOLT, FLANGE, 6X28 (CT200)	1	6901761
041	93913-25220	SCREW, TAPPING, 5X12 (PO)	1	6901761
042	95001-4511040	TUBE, FUEL, 4.5X110 (95001-45001-60M)	1	6901761
043	95001-7516040	TUBE, FUEL, 7.3X160 (95001-75001-60M)	1	6901761
044	95002-02120	CLIP, TUBE (B12)	2	6901761

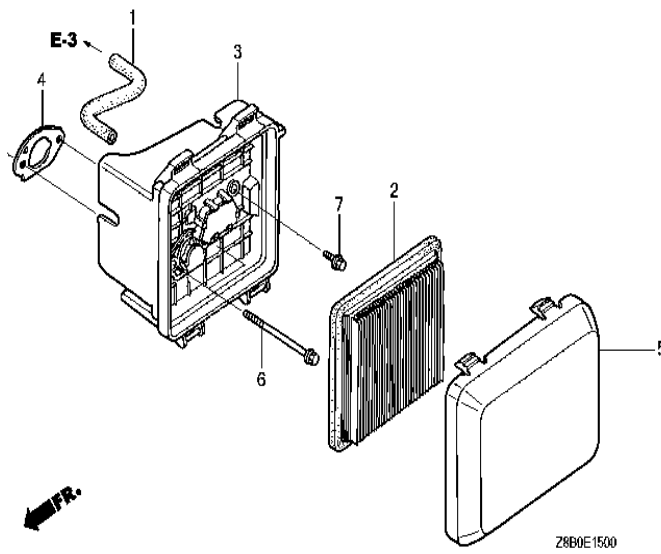
GCV160LA(S1A)	E-14 CARBURETOR
---------------	-----------------



<u>Ref</u>	<u>Partnumber</u>	<u>Description</u>	<u>GCV160LA</u>	<u>Serial Numbers</u>
001	16010-883-015	PACKING SET	1	
002	16013-ZL1-003	FLOAT SET	1	
003	16015-887-782	CHAMBER SET, FLOAT	1	BB65E A
005	16024-ZE1-811	SCREW SET, DRAIN	1	BB65A A
006	16028-ZE0-005	SCREW SET	1	
008	16100-ZOL-851	CARBURETOR ASSY. (BB62Z A)	1	7161134
008	16100-ZOL-852	CARBURETOR ASSY. (BB62Z B)	1	7161135
009	16155-ZM0-013	VALVE, FLOAT	1	
010	16166-ZM0-003	NOZZLE, MAIN	1	
013	16211-ZL8-000	INSULATOR, CARBURETOR	1	
014	16212-ZL8-000	PACKING, INSULATOR	1	
015	16221-883-800	PACKING, CARBURETOR	2	6349022
016	16228-ZL8-000	PACKING, CARBURETOR	1	
<u>Ref</u>	<u>Partnumber</u>	<u>Description</u>	<u>GCV160LA</u>	<u>Serial Numbers</u>
019	19650-ZM0-000	GUIDE COMP., AIR	1	6349022
020	93500-050061H	SCREW, PAN, 5X6	1	
022	99101-1240600	JET, MAIN, #60	(1)	
022	99101-1240620	JET, MAIN, #62	(1)	
022	99101-1240650	JET, MAIN, #65	(1)	
023	19651-ZOL-000	GUIDE, AIR	1	6349023
024	16015-ZOL-881	CHAMBER SET, FLOAT	1	BB62W B

GCV160LA(S1A)

E-15 AIR CLEANER

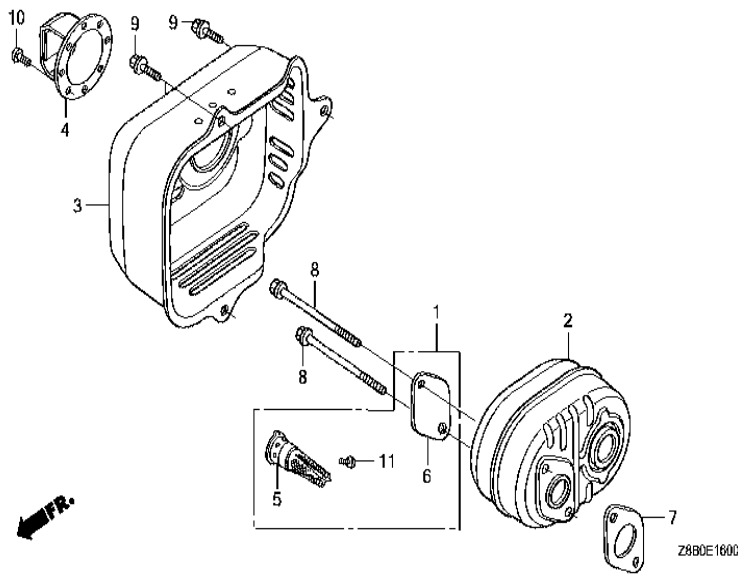


Z860E1500

Ref	Partnumber	Description	GCV160LA	Serial Numbers
001	15721-ZM0-000	TUBE, BREATHER	1	
002	17211-ZL8-023	ELEMENT, AIR CLEANER (TOYO ROKI)	1	
003	17220-ZM0-000	CASE ASSY., AIR CLEANER	1	6624355
003	17220-ZM0-010	CASE ASSY., AIR CLEANER	1	6624356
004	17228-ZM0-000	PACKING, AIR CLEANER	1	
005	17231-ZOL-030	COVER, AIR CLEANER	1	
006	90003-ZM0-000	BOLT, FLANGE, 6X86 (CT200)	2	6349022
006	90003-ZM0-010	BOLT, FLANGE, 6X85 (CT200)	2	6349023
007	95701-0601408	BOLT, FLANGE, 6X14	1	6624355

GCV160LA(S1A)

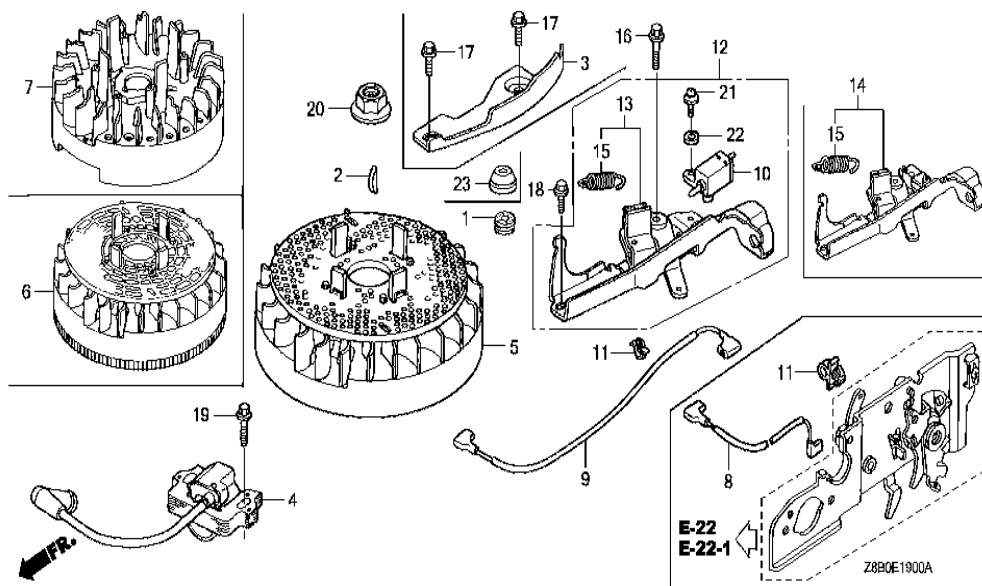
E-16 MUFFLER



Ref	Partnumber	Description	GCV160LA	Serial Numbers
001	06180-Z0J-000	ARRESTER KIT, SPARK	(1)	
002	18310-ZM0-000	MUFFLER COMP.	1	
003	18321-Z0L-000	PROTECTOR, MUFFLER	1	
005	18350-ZL8-000	ARRESTER COMP., SPARK	(1)	
006	18356-ZL8-000	PLATE, ARRESTER NUMBER	(1)	
007	18381-ZL8-305	GASKET, MUFFLER	(1)	
008	90004-ZL8-000	BOLT, FLANGE, 6X79 (CT200)	2	
009	90013-883-000	BOLT, FLANGE, 6X12 (CT200)	3	
011	90055-ZE1-000	SCREW, TAPPING, 4X6	(1)	

GCV160LA(S1A)

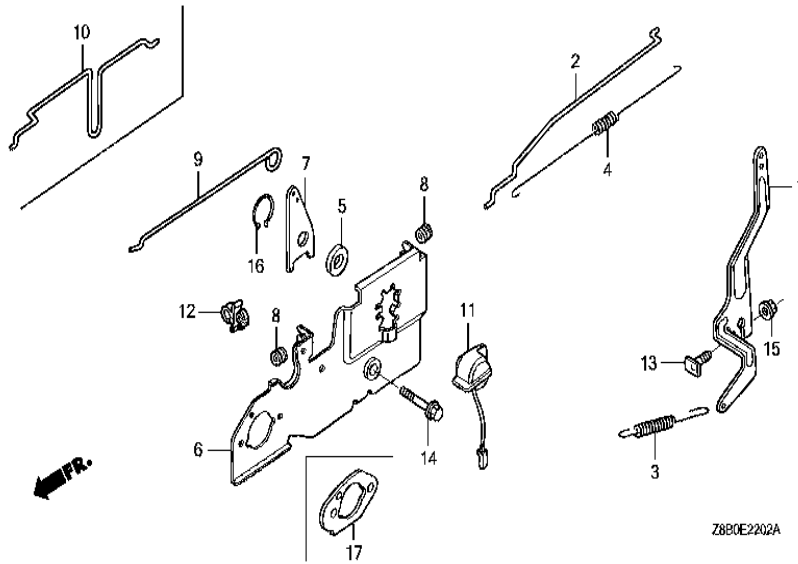
E-19 FLYWHEEL (ALUMINUM) /IGNITION COIL



<u>Ref</u>	<u>Partnumber</u>	<u>Description</u>	<u>GCV160LA</u>	<u>Serial Numbers</u>
001	11344-MB0-000	GROMMET A, RR. COVER (8X16X6.6)	1	7132770
001	11344-ZOL-800	GROMMET A, RR. COVER (8X16X8)	1	7132770
002	13331-357-000	KEY, SPECIAL WOODRUFF, 25X18	1	6702082
004	30500-ZL8-004	COIL ASSY., IGNITION (TEC) (USE FOR F/W	1	
005	31105-ZM0-000	FLYWHEEL ASSY. (TEC) (USE FOR IGN. COIL	1	
009	32195-ZM0-800	CORD, STOP SWITCH	1	
010	35120-ZM0-003	SWITCH ASSY., ENGINE STOP (N.C)	1	
011	51125-ZOL-003	HOLDER, WIRE (FASTEX)	1	6702082
011	90681-959-003	CLIP A, CABLE (NIFCO) (3.8MM BLACK)	1	6702082
013	75110-ZOL-800	BRAKE SUB ASSY.	1	7132770
013	75110-ZOY-000	BRAKE SUB ASSY.	1	7132771
015	75113-ZM0-000	SPRING, BRAKE LEVER	1	
016	90018-ZE1-000	BOLT, FLANGE, 6X23 (CT200)	1	
<u>Ref</u>	<u>Partnumber</u>	<u>Description</u>	<u>GCV160LA</u>	<u>Serial Numbers</u>
018	90014-952-000	BOLT, FLANGE, 6X14 (CT200)	1	
019	90018-ZE1-000	BOLT, FLANGE, 6X23 (CT200)	1	6702083
019	90022-888-010	BOLT, FLANGE, 6X20 (CT200)	1	6702082
020	90201-878-003	NUT, SPECIAL, 14MM	1	6702082
021	93892-0401200	SCREW-WASHER, 4X12	1	
022	94103-04000	WASHER, PLAIN, 4MM	1	
023	91601-ZOL-300	GROMMET, BRAKE PLATE	1	7132771

GCV160LA(S1A)

E-22-2 CONTROL (3)

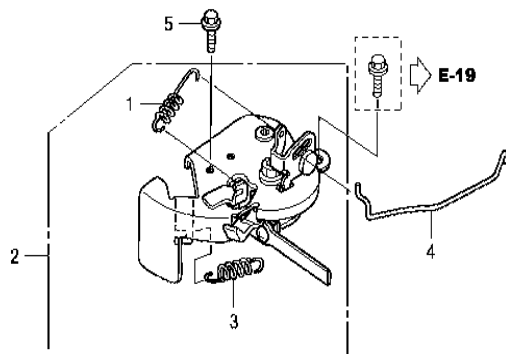


Z880E2202A

Ref	Partnumber	Description	GCV160LA	Serial Numbers
001	16551-ZM0-010	ARM, GOVERNOR	1	
002	16555-Z0L-800	ROD, GOVERNOR	1	6349022
002	16555-Z0L-801	ROD, GOVERNOR	1	6349023
003	16561-Z0L-000	SPRING, GOVERNOR	1	
004	16562-ZM0-000	SPRING, THROTTLE RETURN	1	
006	16580-Z0L-810	BASE COMP., CONTROL	1	6901760
013	90015-ZE5-010	BOLT, GOVERNOR ARM	1	
014	90016-ZE8-000	BOLT, FLANGE, 6X45 (CT200)	1	6901760
015	94050-06000	NUT, FLANGE, 6MM	1	
017	16221-Z0L-900	SPACER, CARBURETOR	1	6901761

GCV160LA(S1A)

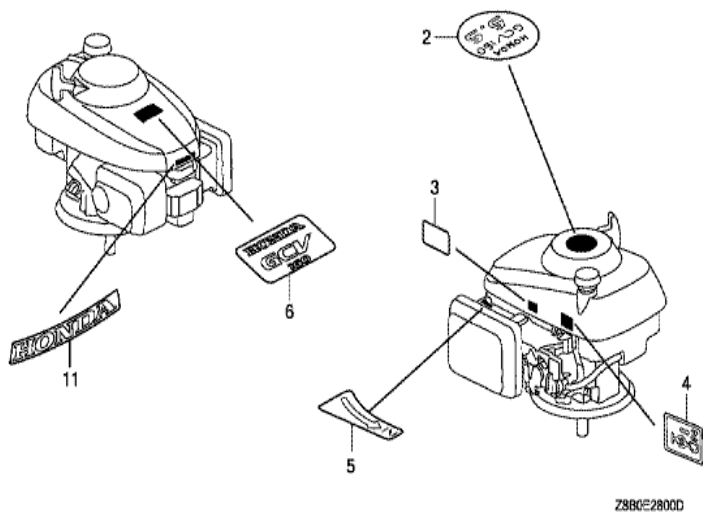
E-22-3 CHOKE BASE



Z880E2203

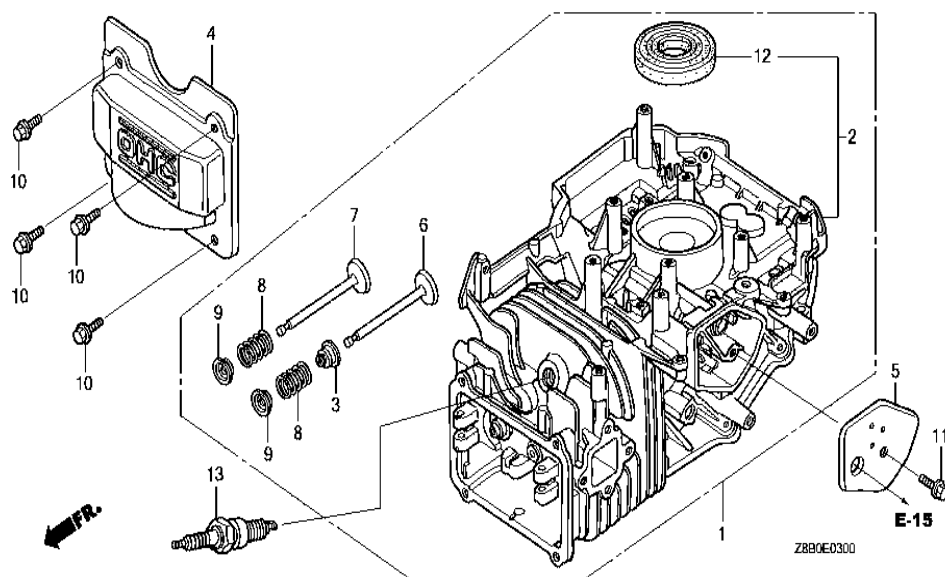
Ref	Partnumber	Description	GCV160LA	Serial Numbers
001	16592-Z2D-800	SPRING, RETURN	1	
002	16610-Z2D-801	LEVER ASSY., CHOKE	1	
003	16614-Z2D-800	SPRING, CHOKE LEVER	1	
004	16632-Z0L-800	ROD, STOP	1	
005	90022-888-010	BOLT, FLANGE, 6X20 (CT200)	1	

GCV160LA(S1A)	E-28 LABEL
---------------	------------



Ref	Partnumber	Description	GCV160LA	Serial Numbers
003	87114-ZH7-821	LABEL, WARNING (NOT CERTIFIED FOR SALE)	1	
005	87528-ZOL-800	MARK, CHOKE INDICATION	1	
006	87101-ZM0-020	MARK, EMBLEM (GCV160)	1	

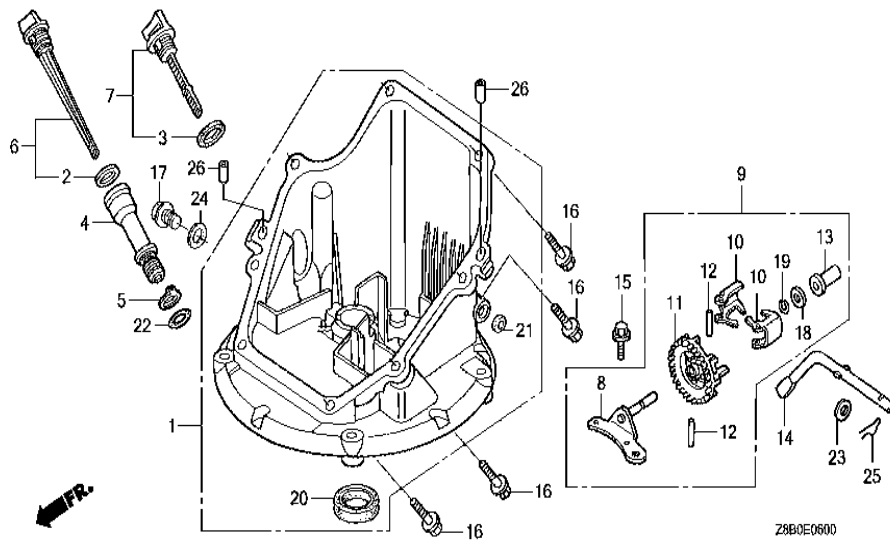
GCV160LA(S1A)	E-3 CYLINDER BARREL
---------------	---------------------



Ref	Partnumber	Description	GCV160LA	Serial Numbers
001	12000-ZL8-425	BARREL ASSY., CYLINDER	1	
003	12209-ZM0-003	SEAL, VALVE STEM	1	
004	12311-ZL8-000	COVER, HEAD	1	
005	12355-ZL8-000	COVER COMP., BREATHER	1	
006	14711-Z0J-000	VALVE, IN. (ROCKNEL)	1	6330748
006	14711-Z0J-800	VALVE, IN.	1	6330749
007	14721-ZL8-000	VALVE, EX. (L8E)	1	
008	14751-ZL8-000	SPRING, VALVE	2	
009	14771-Z0J-000	RETAINER, VALVE SPRING	2	
010	90013-883-000	BOLT, FLANGE, 6X12 (CT200)	4	
011	90014-952-000	BOLT, FLANGE, 6X14 (CT200)	1	
012	91201-ZL8-003	OIL SEAL, 25.4X62X6	1	
013	98079-56846	PLUG, SPARK (BPR6ES) (NGK)	1	

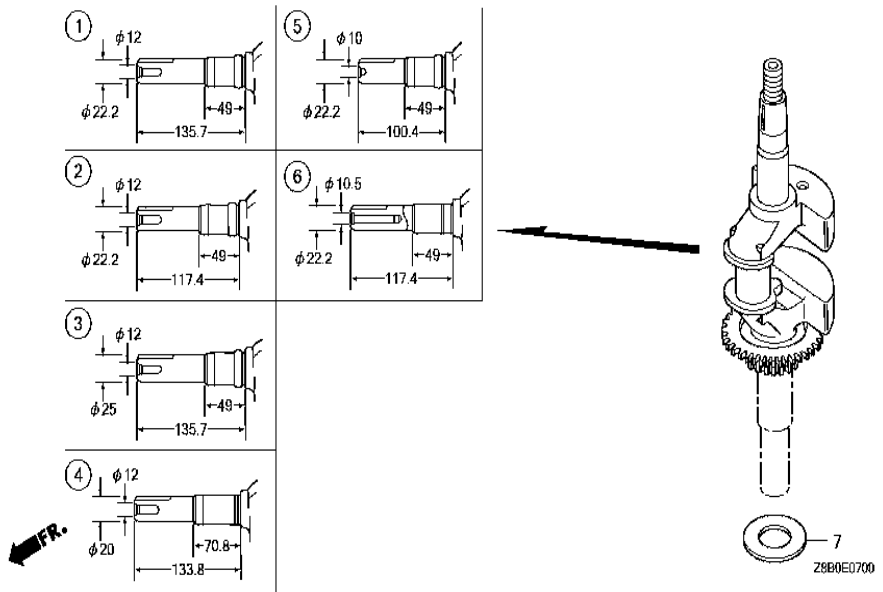
GCV160LA(S1A)

E-6 OIL PAN



Ref	Partnumber	Description	GCV160LA	Serial Numbers
001	11300-ZM0-405	PAN ASSY., OIL	1	
003	15625-Z2L-801	PACKING, OIL FILLER CAP	1	
007	15650-Z0L-000	GAUGE ASSY., OIL LEVEL	1	
008	16508-ZM0-010	SHAFT COMP., GOVERNOR HOLDER	1	
009	16510-ZM0-010	GOVERNOR ASSY.	1	
010	16511-ZL8-000	WEIGHT, GOVERNOR	2	
011	16512-ZM0-000	HOLDER, GOVERNOR WEIGHT	1	
012	16513-ZE1-000	PIN, GOVERNOR WEIGHT	2	
013	16531-ZE1-000	SLIDER, GOVERNOR	1	
014	16541-ZM0-000	SHAFT, GOVERNOR ARM	1	
015	90014-952-000	BOLT, FLANGE, 6X14 (CT200)	1	
016	90121-952-000	BOLT, FLANGE, 6X25 (CT200)	8	
018	90451-ZE1-000	WASHER, THRUST, 6MM	1	
Ref	Partnumber	Description	GCV160LA	Serial Numbers
019	90602-ZE1-000	CLIP, GOVERNOR HOLDER	1	
020	91202-ZL8-003	OIL SEAL, 28X41.25X6	1	
023	94101-06800	WASHER, PLAIN, 6MM	1	
025	94251-08000	PIN, LOCK, 8MM	1	
026	94301-08200	DOWEL PIN, 8X20	2	

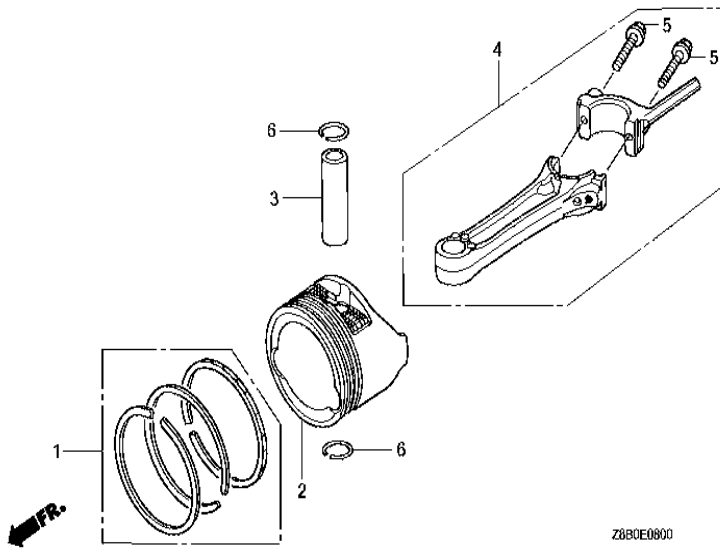
GCV160LA(S1A)	E-7 CRANKSHAFT
---------------	----------------



Ref	Partnumber	Description	GCV160LA	Serial Numbers
001	13310-ZM0-000	CRANKSHAFT COMP.	1	
007	90402-ZL8-000	WASHER, THRUST	1	

GCV160LA(S1A)

E-8 PISTON/CONNECTING ROD



Z880E0800

Ref	Partnumber	Description	GCV160LA	Serial Numbers
001	13010-ZOL-014	RING SET, PISTON (STD.) (TEIKOKU)	1	
002	13101-Z2A-010	PISTON	1	
003	13111-ZE0-000	PIN, PISTON	1	
004	13200-ZOJ-000	ROD ASSY., CONNECTING	1	
005	90001-ZE1-000	BOLT, CONNECTING ROD	2	
006	90551-ZE0-000	CLIP, PISTON PIN, 13MM	2	