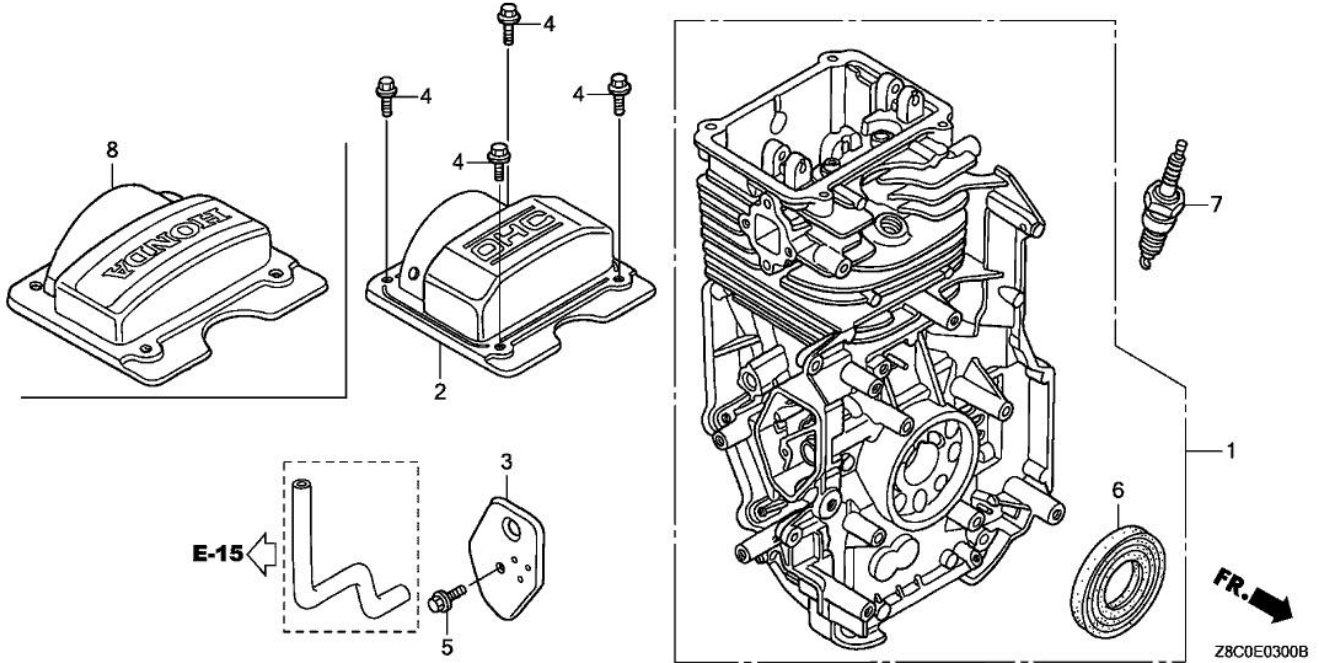


TRU-POWER, INC.

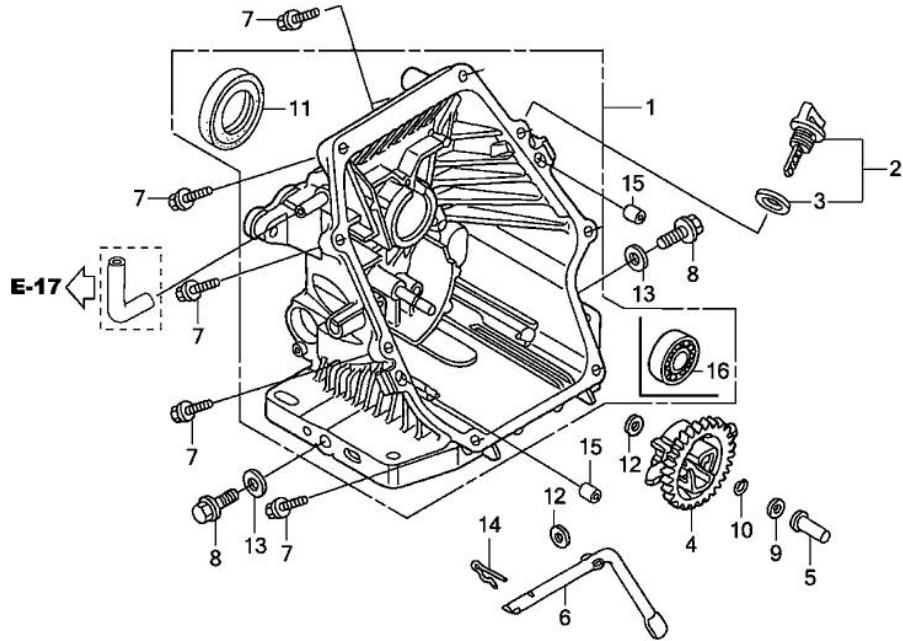
Model Name	GC190LA	Product Line	GENERAL PURPOSE ENGINE
Mfg		Type	QHAF
Section	ENGINE	Illustration	CYLINDER BARREL



Ref.	Part Number	Part Description	Qty.
001	12000-Z1A-0000	CYLINDER ASSY.	001
002	12310-Z0J-000	COVER, CYLINDER HEAD	001
002	12310-Z8A-000	COVER, CYLINDER HEAD	001
003	12355-ZL8-000	COVER, BREATHER (BREATHER VALVE ASSY.)	001
004	90013-883-000	BOLT, FLANGE (6X12) (CT200)	004
005	90014-952-000	BOLT, FLANGE (6X14) (CT200)	001
006	91201-ZL8-003	OIL SEAL (25.4X62X6)	001
007	98079-56846	SPARK PLUG (BPR6ES) (NGK)	001

TRU-POWER, INC.

Model Name	GC190LA	Product Line	GENERAL PURPOSE ENGINE
Mfg		Type	QHAF
Section	ENGINE	Illustration	OIL PAN

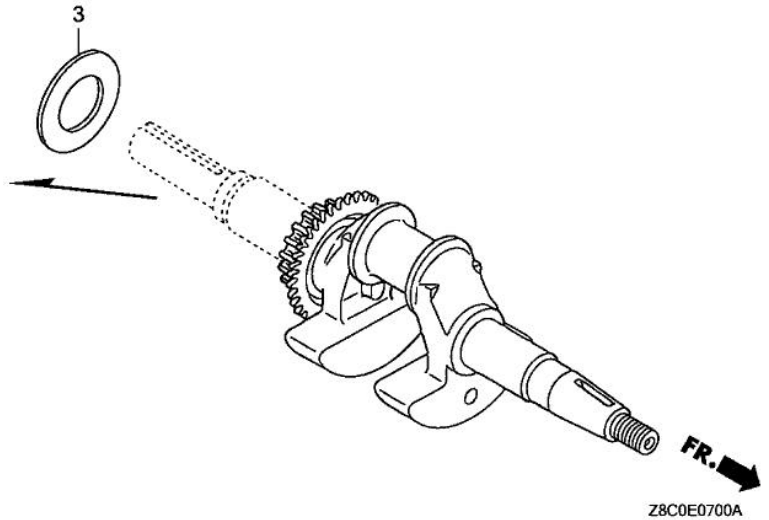
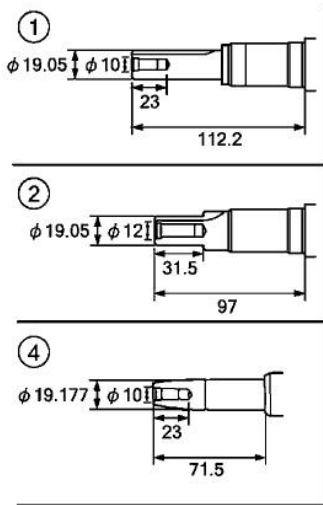


FR. →
Z8C0E0600A

Ref.	Part Number	Part Description	Qty.
001	11300-Z1A-600	COVER ASSY, CRANKCAS	001
002	15600-ZF0-003	CAP ASSY., OIL FILLER	001
003	15625-ZE1-003	GASKET, OIL FILLER CAP	001
004	16510-ZL8-000	GOVERNOR ASSY.	001
005	16531-ZE1-000	SLIDER, GOVERNOR	001
006	16541-ZL8-000	SHAFT, GOVERNOR ARM	001
006	16541-Z8A-000	SHAFT, GOVERNOR ARM	001
007	90121-952-000	BOLT, FLANGE (6X25) (CT200)	008
008	90131-896-650	BOLT, DRAIN PLUG (12X15)	002
009	90451-ZE1-000	WASHER, THRUST (6MM)	001
010	90602-ZE1-000	CLIP, GOVERNOR HOLDER	001
011	91202-ZL8-003	OIL SEAL (28X41.25X6)	001
012	94101-06800	WASHER, PLAIN (6MM)	002
013	94109-12000	WASHER, DRAIN PLUG (12MM)	002
014	94251-08000	PIN, LOCK (8MM)	001
015	94301-08200	PIN, DOWEL (8X20)	002

TRU-POWER, INC.

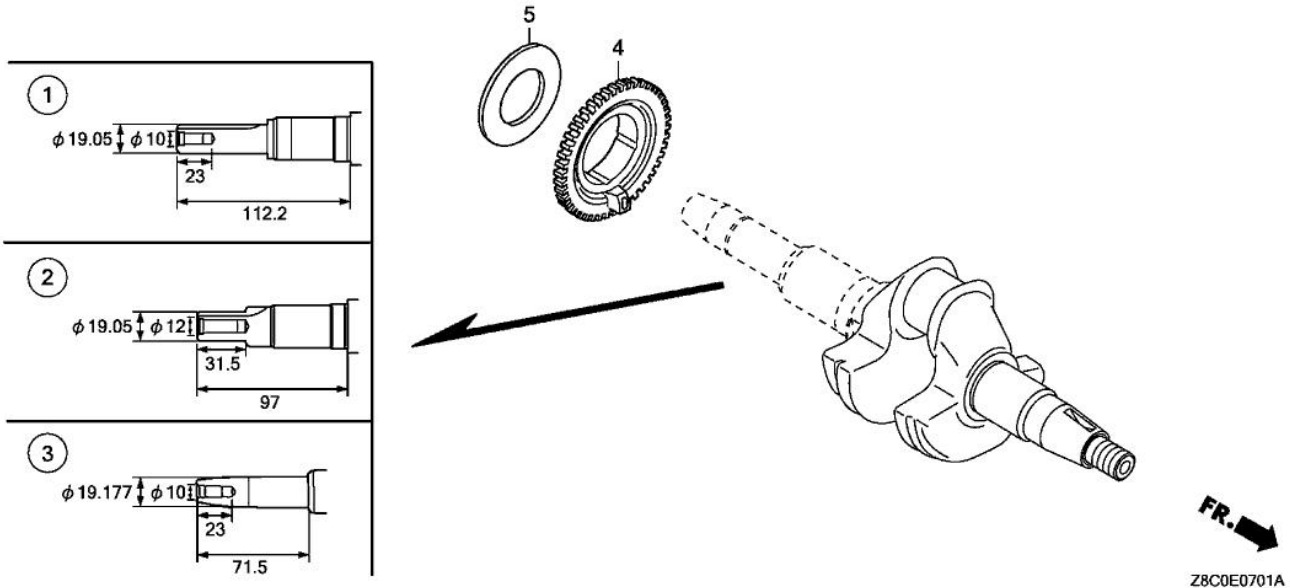
Model Name	GC190LA	Product Line	GENERAL PURPOSE ENGINE
Mfg		Type	QHAF
Section	ENGINE	Illustration	CRANKSHAFT (1)



Ref.	Part Number	Part Description	Qty.
001	13310-Z1A-600	CRANKSHAFT	001
003	90402-ZL8-000	WASHER, THRUST	001

TRU-POWER, INC.

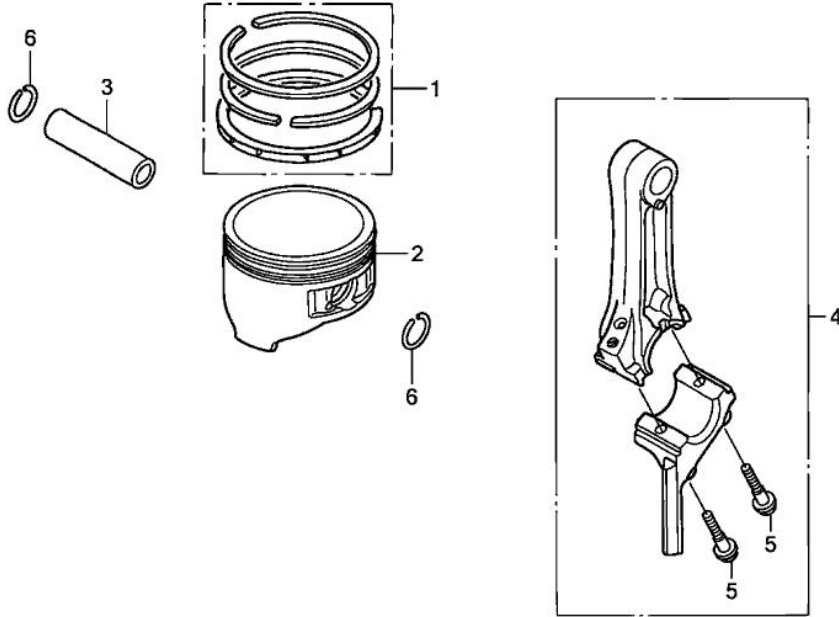
Model Name	GC190LA	Product Line	GENERAL PURPOSE ENGINE
Mfg		Type	QHAF
Section	ENGINE	Illustration	CRANKSHAFT (2)



Ref.	Part Number	Part Description	Qty.
001	13311-Z8C-900	CRANKSHAFT	001
004	13621-Z8B-900	PULLEY, TIMING BELT DRIVE	001
005	90402-ZL8-000	WASHER, THRUST	001

TRU-POWER, INC.

Model Name	GC190LA	Product Line	GENERAL PURPOSE ENGINE
Mfg		Type	QHAF
Section	ENGINE	Illustration	PISTON - CONNECTING ROD

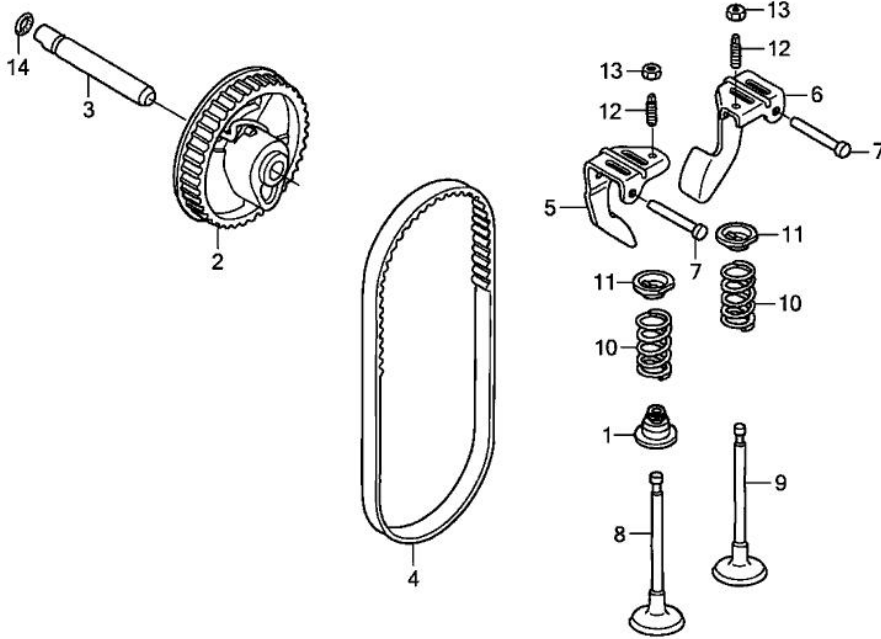


Z8C0E0800

Ref.	Part Number	Part Description	Qty.
001	13010-Z0Y-014	RING SET, PISTON (STD) (TEIKOKU)	001
002	13101-Z8D-820	PISTON	001
003	13111-Z0Y-000	PIN, PISTON	001
004	13200-Z0Y-010	ROD ASSY., CONNECTING	001
005	90001-ZE1-000	BOLT, CONNECTING ROD	002
006	90551-ZE0-000	CLIP, PISTON PIN (13MM)	002

TRU-POWER, INC.

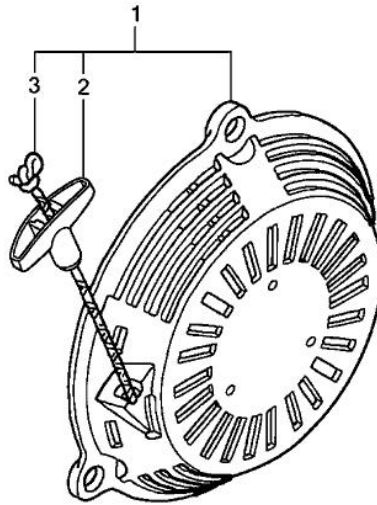
Model Name	GC190LA	Product Line	GENERAL PURPOSE ENGINE
Mfg		Type	QHAF
Section	ENGINE	Illustration	CAMSHAFT PULLEY



Ref.	Part Number	Part Description	Qty.
001	12209-ZM0-003	SEAL, VALVE STEM	001
002	14320-Z0Y-000	PULLEY, CAMSHAFT	001
002	14320-Z8D-000	PULLEY, CAMSHAFT	001
003	14324-ZL8-000	SHAFT, CAM PULLEY	001
004	14400-Z0J-014	BELT, TIMING (84HU7 G-200)	001
004	14400-Z8B-003	BELT, TIMING (84HU6 G-200)	001
005	14431-Z0J-000	ARM, IN. VALVE ROCKER	001
006	14441-Z0J-000	ARM, EX. VALVE ROCKER	001
007	14461-ZL8-000	SHAFT, ROCKER ARM	002
008	14711-ZL8-000	VALVE, IN. (TECHNOSTAR)	001
009	14721-ZL8-000	VALVE, EX. (L8E)	001
009	14721-Z8B-000	VALVE, EX. (C8E)	001
010	14751-ZL8-000	SPRING, VALVE	002
011	14771-Z0J-000	RETAINER, VALVE SPRING	002
012	90012-333-000	SCREW, TAPPET ADJUSTING	002
013	90206-001-000	NUT, TAPPET ADJUSTING	002
014	91301-ZM0-V31	O-RING (6.8X1.9) (ARAI)	001

TRU-POWER, INC.

Model Name	GC190LA	Product Line	GENERAL PURPOSE ENGINE
Mfg		Type	QHAF
Section	ENGINE	Illustration	RECOIL STARTER



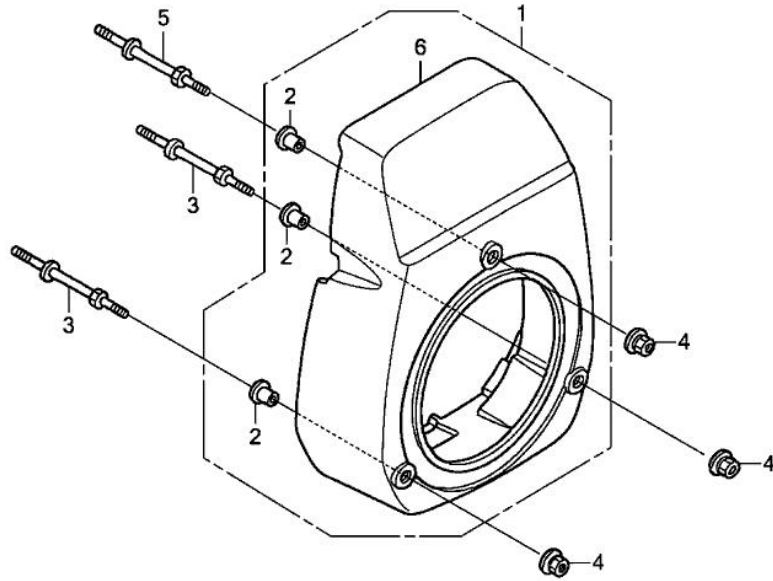
Z8C0E1100



Ref.	Part Number	Part Description	Qty.
001	28400-Z1A-013ZA	STARTER ASSY., RECOIL *NH1*(BLACK)	001
001	28400-Z1A-013ZB	STARTER ASSY., RECOIL *R280*(POWER RED)	001
002	28461-ZL8-003	GRIP, STARTER	001
003	28462-ZL8-003	ROPE, RECOIL STARTER	001

TRU-POWER, INC.

Model Name	GC190LA	Product Line	GENERAL PURPOSE ENGINE
Mfg		Type	QHAF
Section	ENGINE	Illustration	FAN COVER

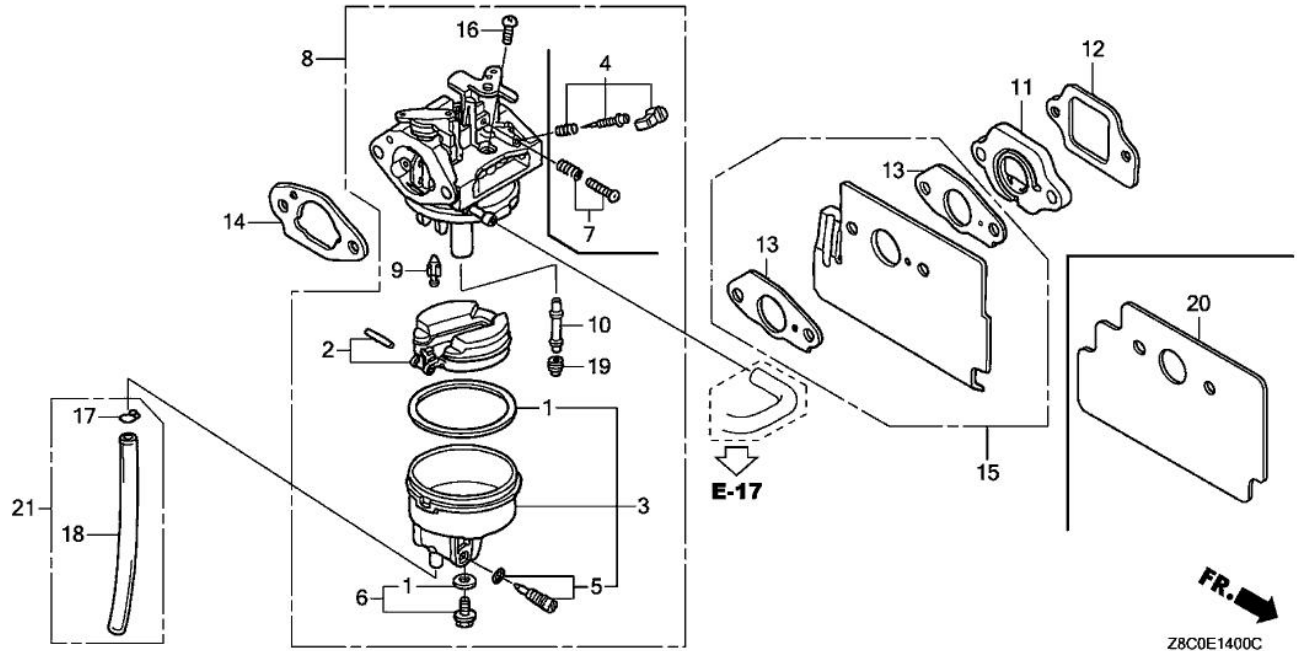


FR. 
Z8C0E1200B

Ref.	Part Number	Part Description	Qty.
001	19611-Z1A-000ZA	COVER, FAN *NH1*(BLACK)	001
001	19611-Z1A-000ZB	COVER, FAN *R280*(POWER RED)	001
001	19611-Z1A-900ZA	COVER, FAN *NH1*(BLACK)	001
001	19611-Z1A-900ZB	COVER, FAN *R280*(POWER RED)	001
001	19611-Z1A-900ZC	COVER, FAN *R280B*(POWER RED)	001
002	19619-ZL8-300	COLLAR, FAN COVER	003
003	90043-ZL8-000	BOLT, STUD (H=42.5MM)	002
003	90043-Z8B-000	BOLT, STUD (FAN COVER)	002
004	90201-ZM0-000	NUT, FLANGE (6MM)	003
005	90043-Z0J-900	BOLT, STUD (H=39.5MM)	001
005	90043-ZL8-000	BOLT, STUD (H=42.5MM)	001
005	90043-Z8B-900	BOLT, STUD (FAN COVER)	001

TRU-POWER, INC.

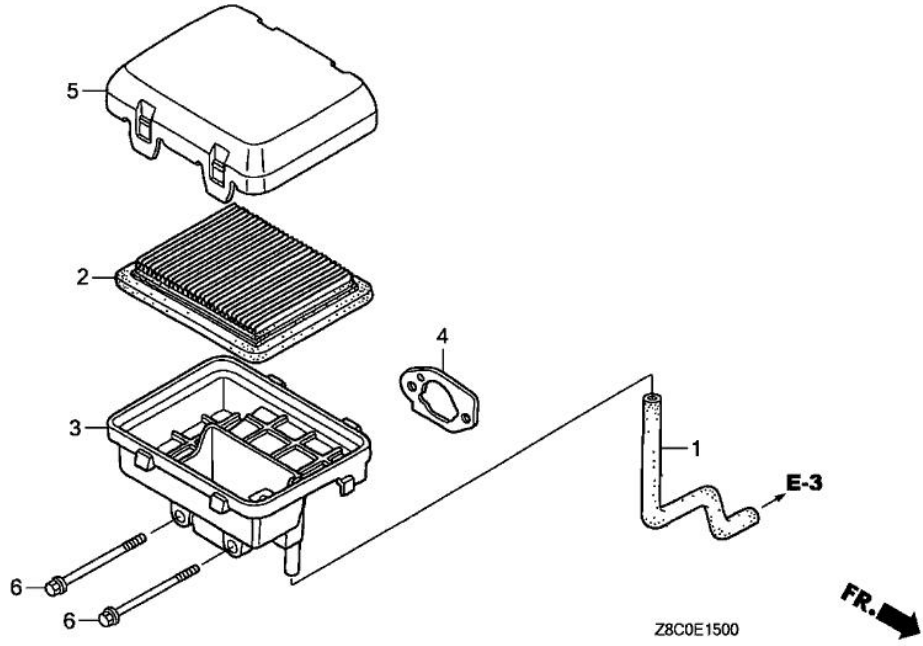
Model Name	GC190LA	Product Line	GENERAL PURPOSE ENGINE
Mfg		Type	QHAF
Section	ENGINE	Illustration	CARBURETOR



Ref.	Part Number	Part Description	Qty.
001	16010-883-015	GASKET SET	001
002	16013-ZL1-003	FLOAT SET	001
003	16015-ZL8-003	CHAMBER SET, FLOAT	001
004	16016-Z1A-003	SCREW SET (CARBURETOR NO.)	001
005	16024-124-760	SCREW SET, DRAIN	001
006	16028-ZE0-005	SCREW SET	001
006	16028-ZK7-S91	SCREW SET	001
007	16029-ZG0-901	SCREW SET (THROTTLE STOP) (CARBURETOR NO.)	001
008	16100-Z1A-801	CARBURETOR ASSY. (BB61K A)	001
008	16100-Z1A-812	CARBURETOR ASSY. (BB61N B)	001
008	16100-Z1A-802	CARBURETOR ASSY. (BB61K B)	001
008	16100-Z8C-811	CARBURETOR ASSY. (BB61R A)	001
009	16155-ZL8-013	VALVE, FLOAT	001
010	16166-Z1A-003	NOZZLE, MAIN (CARBURETOR NO.)	001
010	16166-Z8C-801	NOZZLE, MAIN (CARBURETOR NO.)	001
011	16211-ZL8-000	INSULATOR, CARBURETOR	001
012	16212-ZL8-000	GASKET, INSULATOR	001
013	16221-883-800	GASKET, CARBURETOR	002
014	16228-ZL8-000	GASKET, CARBURETOR	001
015	19650-ZL8-000	GUIDE, AIR	001
016	93500-05006-0H	SCREW, PAN (5X6)	001
017	95002-02650	CLIP, TUBE (B6.5)	001
018	95003-07008-60M	BULK HOSE, VINYL (4X7X8000) OEM CUT SIZE: (4X7X150)	001
019	99101-124-0620	JET, MAIN (#62)	(1)
019	99101-124-0650	JET, MAIN (#65)	(1)
019	99101-124-0680	JET, MAIN (#68)	001
020	19651-Z0J-000	GUIDE, AIR	001

TRU-POWER, INC.

Model Name	GC190LA	Product Line	GENERAL PURPOSE ENGINE
Mfg		Type	QHAF
Section	ENGINE	Illustration	AIR CLEANER



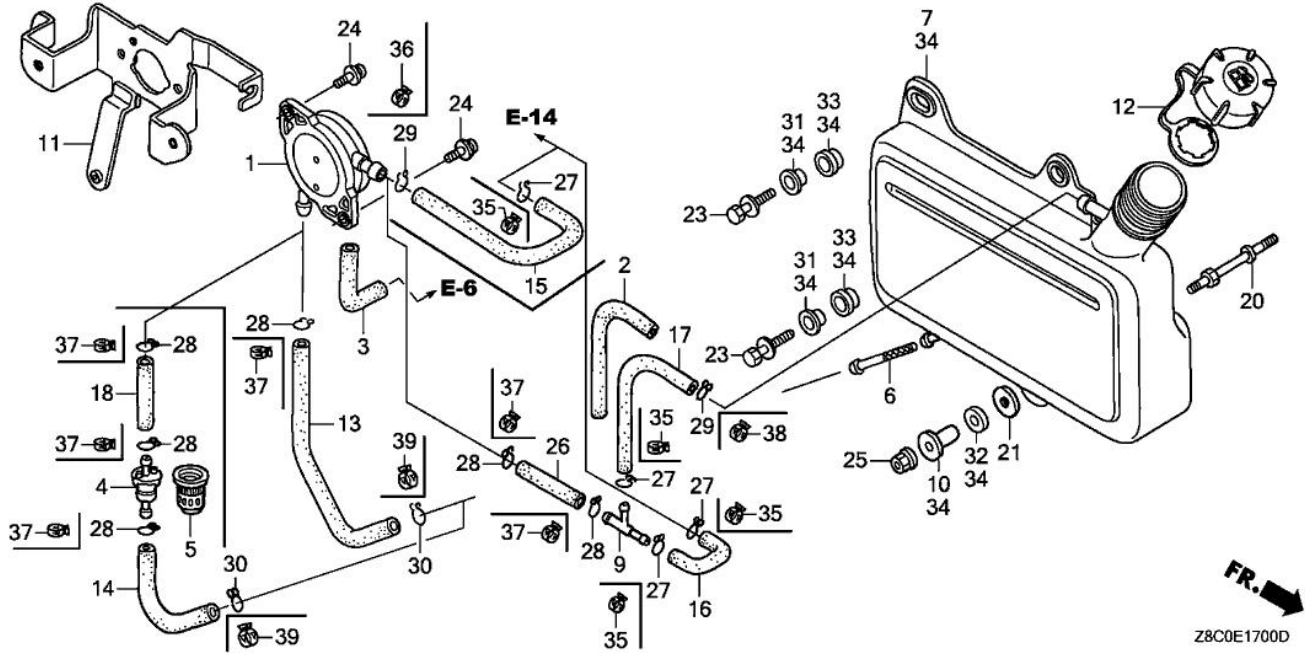
Ref.	Part Number	Part Description	Qty.
001	15721-ZL8-000	TUBE, BREATHER	001
002	17211-ZL8-023	ELEMENT, AIR CLEANER (TOYO ROKI)	001
003	17220-ZL8-000	HOUSING, AIR CLEANER	001
003	17220-ZL8-010	HOUSING, AIR CLEANER	001
003	17220-ZL8-020	HOUSING, AIR CLEANER	001
004	17228-ZL8-000	GASKET, AIR CLEANER	001
005	17231-Z0J-040	COVER, AIR CLEANER	001
006	90003-ZL8-000	BOLT, FLANGE (6X112) (CT200)	002

TRU-POWER, INC.

Product Line **GENERAL PURPOSE ENGINE**
Type **QHAF**

Model Name **GC190LA**
Mfg
Section **ENGINE**

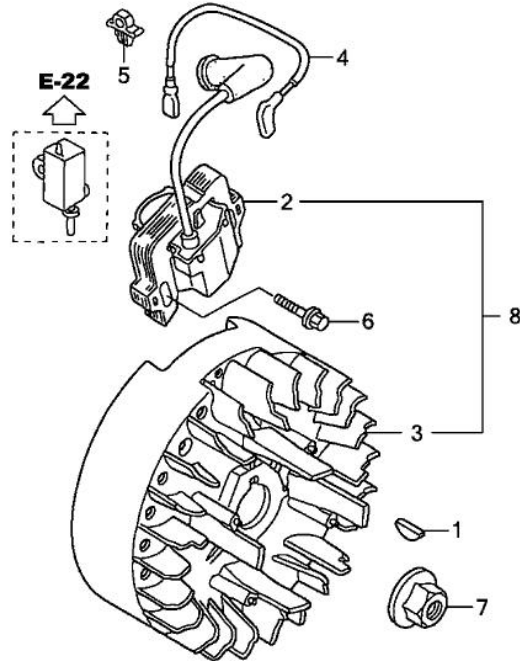
Illustration **FUEL TANK**



Ref.	Part Number	Part Description	Qty.
001	16700-Z0J-003	PUMP ASSY., FUEL	001
003	16882-ZL8-000	TUBE, DIAPHRAGM	001
006	16952-ZA8-800	FILTER, FUEL	001
006	16952-Z8B-000	FILTER, FUEL	001
007	17511-Z8A-800	TANK, FUEL	001
010	17535-KE7-000	COLLAR, FUEL TANK SETTING	001
011	17561-Z0J-000	STAY A, FUEL TANK	001
012	17620-Z0J-800	CAP ASSY., FUEL TANK	001
013	17701-ZL8-000	TUBE, FUEL TANK	001
013	17701-Z8A-003	TUBE, FUEL TANK (FKM)	(NA USE ALT: 17701-ZL8-000) 001
015	17702-ZL8-000	TUBE, FUEL	001
015	17702-Z8A-003	TUBE, FUEL (FKM)	001
020	90041-ZL8-000	BOLT, FUEL TANK STUD (H=30MM)	001
021	90473-896-000	WASHER (6MM)	001
023	93404-06025-00	BOLT-WASHER (6X25)	002
024	93894-05014-00	SCREW-WASHER (5X14)	002
025	94050-06000	NUT, FLANGE (6MM)	001
027	95002-02080	CLIP, TUBE (B8)	001
028	95002-02100	CLIP, TUBE (B10)	001
029	95002-50000	CLIP, TUBE (C9)	001
030	95002-70000	CLIP, TUBE (C11)	001
031	17518-Z8A-800	COLLAR, TANK SET	002
032	17532-Z8A-800	RUBBER A, TANK MOUNTING	001
033	17533-Z8A-800	RUBBER B, TANK MOUNTING	002
034	06175-Z8A-800	TANK KIT, FUEL	001
035	95002-40800-08	CLAMP, TUBE (D8)	001
036	95002-40850-08	CLAMP, TUBE (D8.5)	001
037	95002-41000-08	CLAMP, TUBE (D10)	001
039	95002-41200-08	CLAMP, TUBE (D12)	001

TRU-POWER, INC.

Model Name	GC190LA	Product Line	GENERAL PURPOSE ENGINE
Mfg		Type	QHAF
Section	ENGINE	Illustration	FLYWHEEL (ALUMINUM)

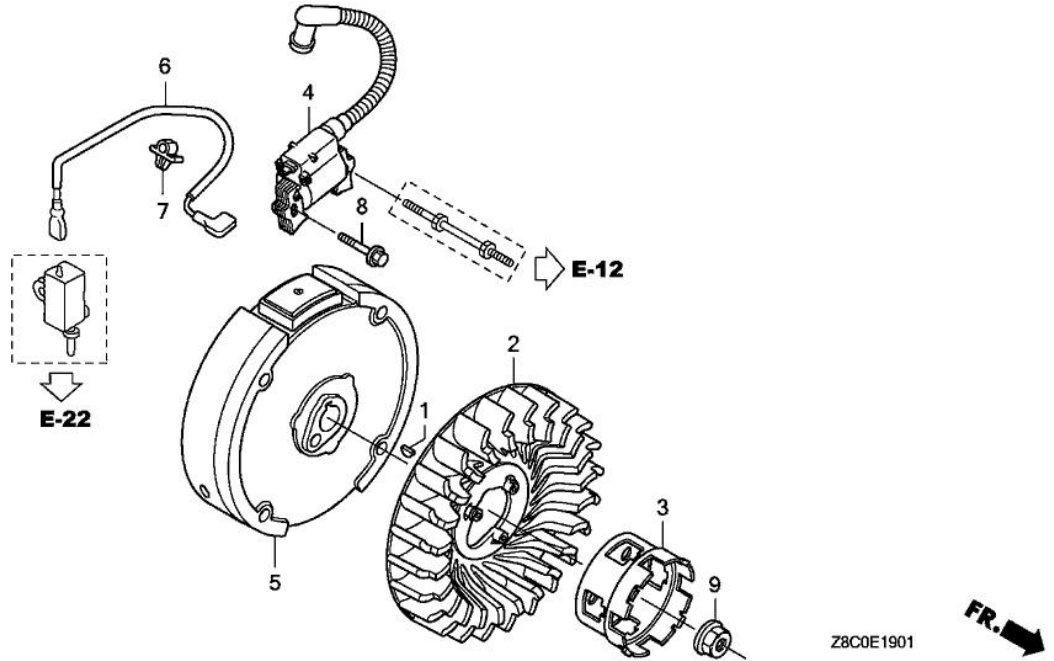


Z8C0E1900A

Ref.	Part Number	Part Description	Qty.
001	13331-357-000	KEY, SPECIAL WOODRUFF (25X18)	001
002	30500-Z0J-003	COIL ASSY., IGNITION (PHELON) (USE FOR F/W OF PHELON)	001
002	30500-ZL8-014	COIL ASSY., IGNITION (USE FOR F/W OF TEC) (TEC)	(1)
002	30500-Z8B-901	COIL ASSY., IGNITION (PHELON)	001
003	31110-Z0J-013	FLYWHEEL COMP. (PHELON) (USE FOR IGN. COIL OF PHELON)	...
003	31110-Z0L-932	FLYWHEEL COMP.(TEC) (USE FOR IGN. COIL OF TEC)	(1)
006	90022-888-010	BOLT, FLANGE (6X20) (CT200)	001
007	90213-S3Y-000	NUT, FLANGE (14MM)	001
008	06311-Z0J-930	FLYWHEEL KIT (SEL)	(1)

TRU-POWER, INC.

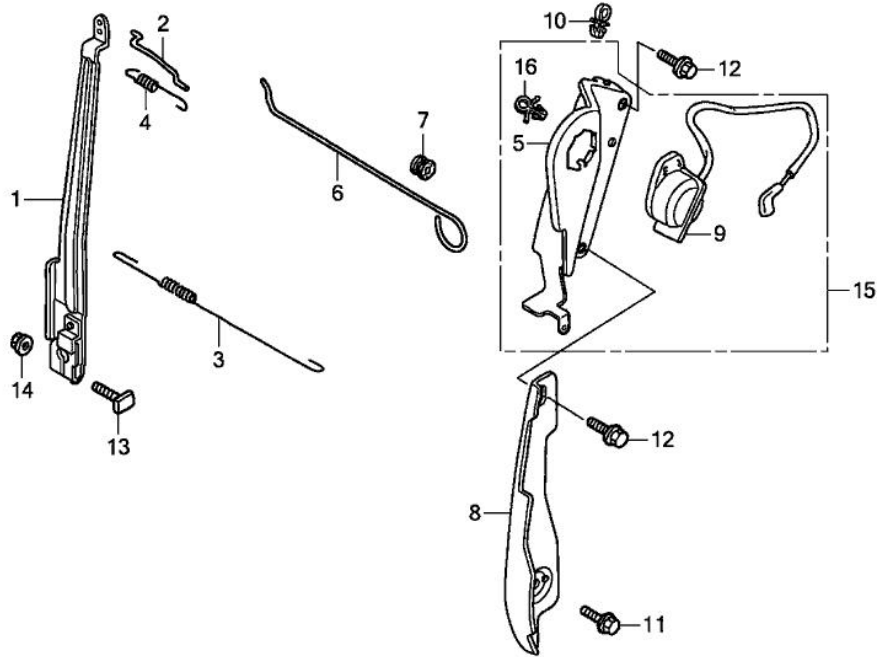
Model Name	GC190LA	Product Line	GENERAL PURPOSE ENGINE
Mfg		Type	QHAF
Section	ENGINE	Illustration	FLYWHEEL (CAST IRON)



Ref.	Part Number	Part Description	Qty.
001	13331-357-000	KEY, SPECIAL WOODRUFF (25X18)	001
001	13331-Z8B-900	KEY, SPECIAL WOODRUFF (25X18)	001
002	19511-Z0J-900	FAN, COOLING	001
003	28451-Z0J-900	PULLEY, STARTER	001
004	30500-Z0J-004	COIL ASSY., IGNITION (TOYO)	001
005	31110-Z0J-004	FLYWHEEL	001
005	31110-Z0J-014	FLYWHEEL	001
008	90018-ZE1-000	BOLT, FLANGE (6X23) (CT200)	001
009	90201-Z0T-800	NUT, SPECIAL (14MM)	001

TRU-POWER, INC.

Model Name	GC190LA	Product Line	GENERAL PURPOSE ENGINE
Mfg		Type	QHAF
Section	ENGINE	Illustration	CONTROL (2)

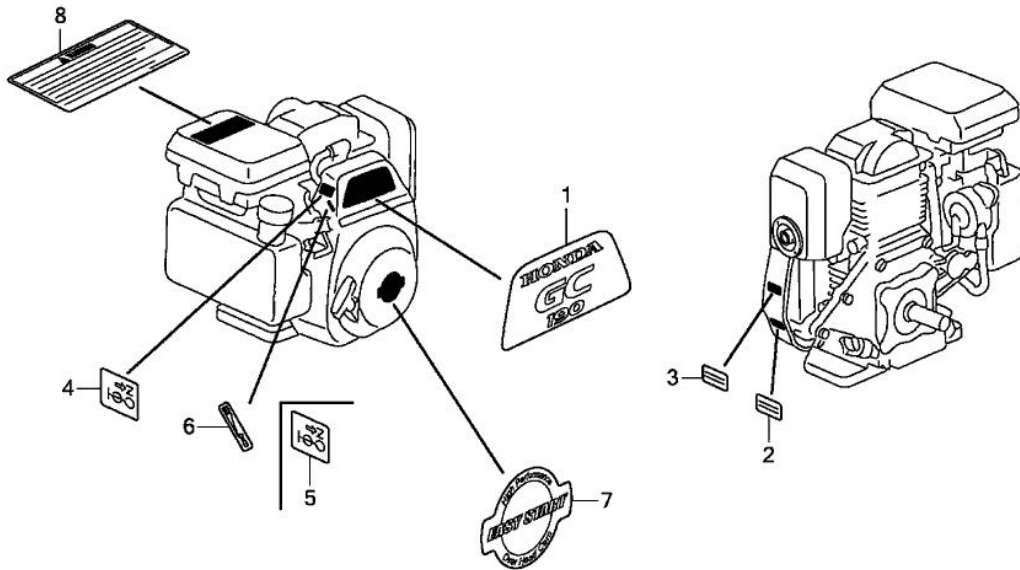


Z8C0E2201A

Ref.	Part Number	Part Description	Qty.
001	16551-ZL8-010	ARM, GOVERNOR	001
002	16555-ZL8-000	ROD, GOVERNOR	001
003	16561-Z0J-000	SPRING, GOVERNOR	001
004	16562-ZL8-800	SPRING, THROTTLE RETURN	001
005	16581-Z0J-800	BASE, CONTROL	001
006	16611-ZL8-000	ROD, CHOKE CONTROL	001
007	16613-893-000	GROMMET, CHOKE ROD	001
008	19612-Z0L-000	PLATE, SIDE	001
009	35120-Z0J-801	SWITCH ASSY., ENGINE STOP	001
009	35120-Z1A-901	SWITCH ASSY., ENGINE STOP	001
010	51125-Z0L-003	HOLDER, WIRE (FASTEX)	001
010	90681-959-003	CLIP A, CABLE (3.8MM BLACK) (NIFCO)	001
011	90013-883-000	BOLT, FLANGE (6X12) (CT200)	001
012	90014-952-000	BOLT, FLANGE (6X14) (CT200)	002
013	90015-ZE5-010	BOLT, GOVERNOR ARM	001
014	94050-06000	NUT, FLANGE (6MM)	001

TRU-POWER, INC.

Model Name	GC190LA	Product Line	GENERAL PURPOSE ENGINE
Mfg		Type	QHAF
Section	ENGINE	Illustration	LABEL



Z8C0E2800C

Ref.	Part Number	Part Description	Qty.
001	87101-Z1A-010	MARK, EMBLEM (GC190)	001
003	87114-ZH7-821	LABEL, WARNING (NOT CERTIFIED FOR SALE)	001
005	87528-ZL8-000	MARK, CHOKE	001
007	87169-Z8A-000	MARK, RECOIL COVER	001