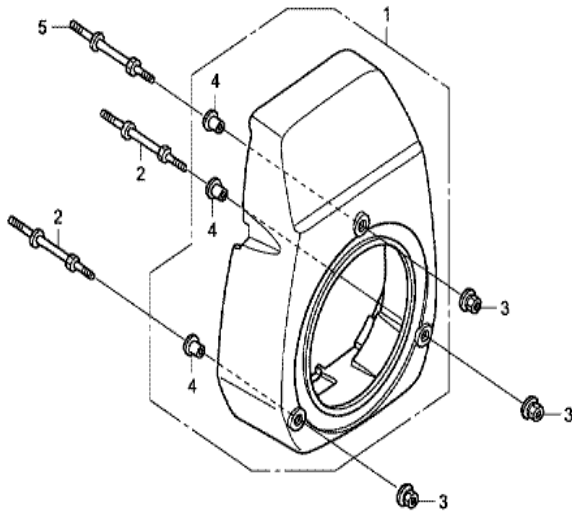


Z1A0-E1100

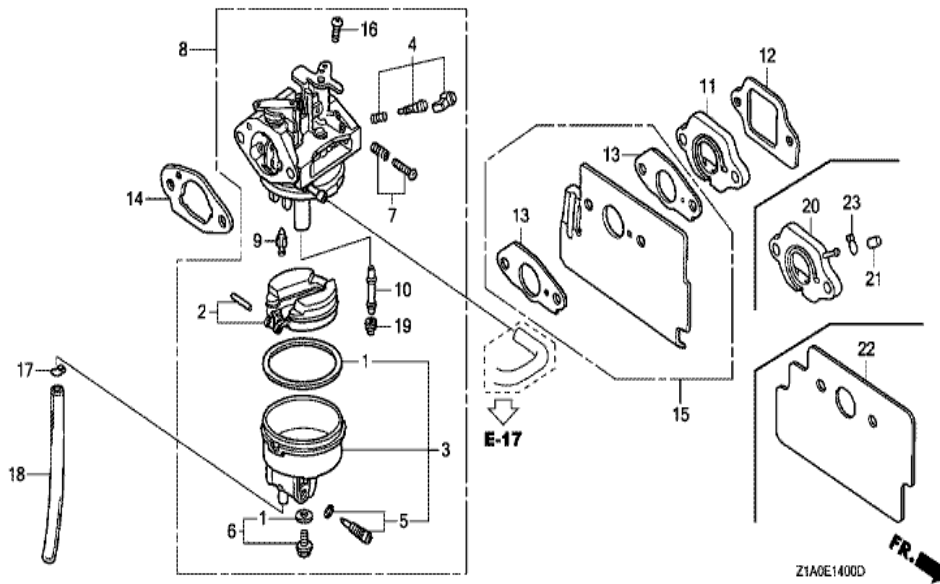


Ref	Partnumber	Description	GC190A	Serial Numbers
001	28400-Z1A-013ZA	STARTER ASSY., RECOIL *NH1 *	1	
001	28400-Z1A-013ZA	STARTER ASSY., RECOIL *NH1 *	1	2002416
001	28400-Z8A-003ZC	STARTER ASSY., RECOIL (SHORT ROPE) *NH1*	1	2002417 2006439
001	28400-Z8D-911ZB	STARTER ASSY., RECOIL (SHORT ROPE) *NH1*	1	2006440
002	28461-ZL8-003	GRIP, STARTER	1	
003	28462-ZL8-003	ROPE, RECOIL STARTER	1	
003	28462-ZL8-003	ROPE, RECOIL STARTER	1	



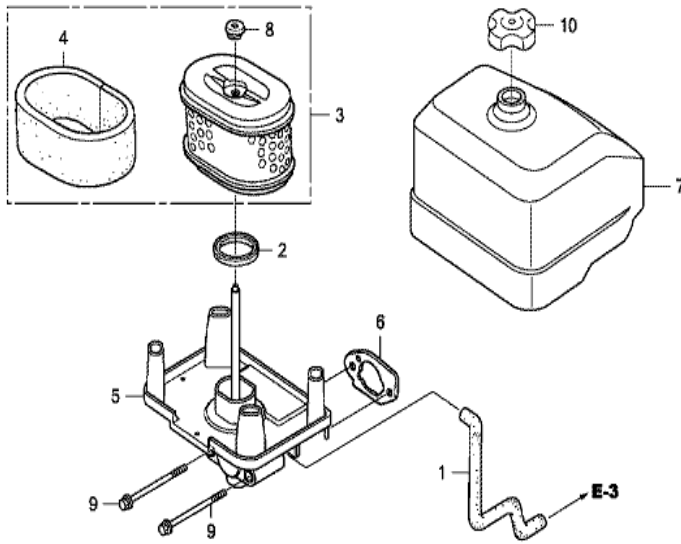
FR. →  
Z1ADE1200C

Ref	Partnumber	Description	GC190A	Serial Numbers
001	19611-Z1A-900ZA	COVER, FAN *NH1*	1	1645724
001	19611-Z1A-900ZA	COVER, FAN *NH1*	1	
002	90043-Z8B-000	BOLT, STUD (FAN COVER)	2	1973347
002	90043-ZL8-000	BOLT, STUD (H=42.5MM)	2	
002	90043-ZL8-000	BOLT, STUD (H=42.5MM)	2	1973346
003	90201-ZM0-000	NUT, FLANGE, 6MM	3	
004	19619-ZL8-300	COLLAR, FAN COVER	3	
005	90043-Z0J-900	BOLT, STUD (H=39.5MM)	1	1645724
005	90043-Z0J-900	BOLT, STUD (H=39.5MM)	1	1973346
005	90043-Z8B-900	BOLT, STUD (FAN COVER)	1	1973347



Ref	Partnumber	Description	GC190A	Serial Numbers
001	16010-883-015	PACKING SET	1	
002	16013-ZL1-003	FLOAT SET	1	
003	16015-ZL8-003	CHAMBER SET, FLOAT	1	
004	16016-Z1A-003	SCREW SET	1	
004	16016-Z1A-003	SCREW SET	1	BB61K A
004	16016-Z1A-003	SCREW SET	1	BB61K B
004	16016-ZG0-W00	SCREW SET	1	BB61S A
005	16024-124-760	SCREW SET, DRAIN	1	
006	16028-ZE0-005	SCREW SET	1	
007	16029-ZG0-901	SCREW SET (THROTTLE STOP)	1	
008	16100-Z1A-801	CARBURETOR ASSY. (BB61K A)	1	1317376
008	16100-Z1A-801	CARBURETOR ASSY. (BB61K A)	1	1988848
008	16100-Z1A-802	CARBURETOR ASSY. (BB61K B)	1	2003253

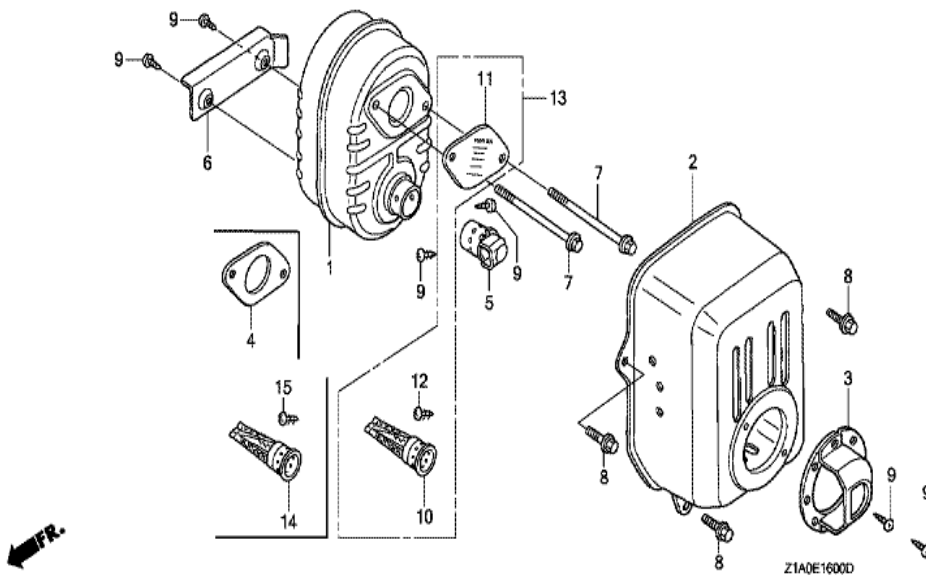
<u>Ref</u>	<u>Partnumber</u>	<u>Description</u>	<u>GC190A</u>	<u>Serial Numbers</u>
008	16100-Z1A-802	CARBURETOR ASSY. (BB61K B)	1	1988849 2003253
008	16100-Z8C-801	CARBURETOR ASSY. (BB61S A)	1	2003254
009	16155-ZL8-013	VALVE COMP., FLOAT	1	
010	16166-Z1A-003	NOZZLE, MAIN	1	
010	16166-Z1A-003	NOZZLE, MAIN	1	BB61K B
010	16166-Z8C-801	NOZZLE, MAIN	1	BB61S A
012	16212-ZL8-000	PACKING, INSULATOR	1	
014	16228-ZL8-000	PACKING, CARBURETOR	1	
016	93500-050061H	SCREW, PAN, 5X6	1	
017	95002-02650	CLIP, TUBE (B6.5)	1	
018	95003-0701531	TUBE, VINYL, 4X7X150 (95003-07001-60M)	1	
019	99101-1240620	JET, MAIN, #62	(1)	
019	99101-1240620	JET, MAIN, #62	(1)	
019	99101-1240650	JET, MAIN, #65	(1)	
019	99101-1240680	JET, MAIN, #68	1	
019	99101-1240680	JET, MAIN, #68	1	
020	16210-ZL8-000	INSULATOR, CARBURETOR	1	
021	90634-ZL8-000	CAP, SEALING	1	
022	19651-ZOJ-000	GUIDE, AIR	1	
023	95002-02650	CLIP, TUBE (B6.5)	1	



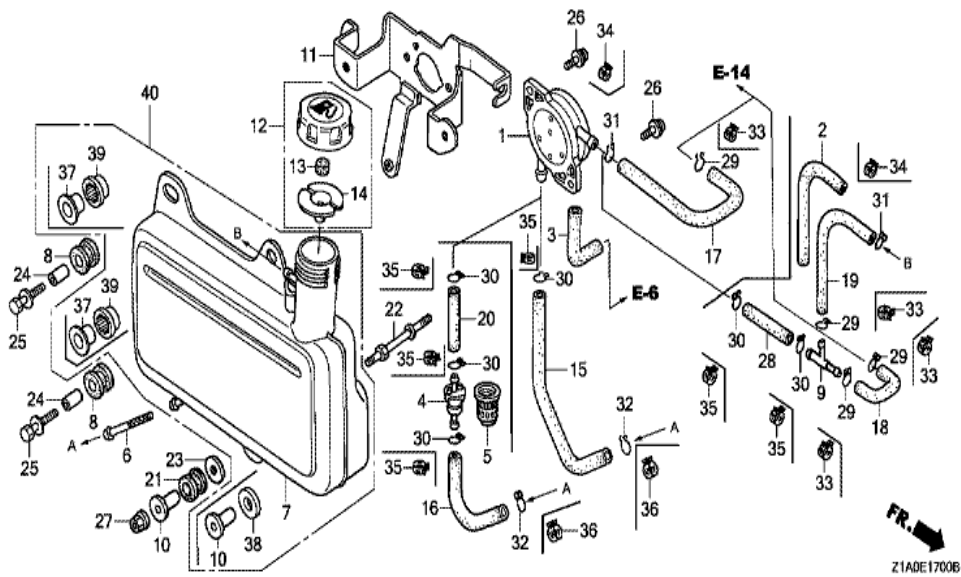
Z1ADE1501

FR. →

Ref	Partnumber	Description	GC190A	Serial Numbers
001	15721-ZOJ-U30	TUBE, BREATHER	1	
002	16271-ZE1-000	PACKING, ELBOW	1	
003	17210-ZE1-822	ELEMENT, AIR CLEANER (DUAL)	1	
004	17218-ZE1-821	FILTER, OUTER	1	
005	17220-ZOJ-U30	CASE COMP., AIR CLEANER	1	
006	17228-Z8A-000	PACKING, AIR CLEANER	1	2002417
006	17228-ZL8-000	PACKING, AIR CLEANER	1	2002416
007	17231-ZOJ-U30	COVER, AIR CLEANER	1	
008	17232-891-000	GROMMET, AIR CLEANER	1	
009	90003-ZL8-000	BOLT, FLANGE, 6X112 (CT200)	2	
010	90202-Z2E-000	NUT, AIR CLEANER COVER	1	



Ref	Partnumber	Description	GC190A	Serial Numbers
001	18310-ZOY-000	MUFFLER COMP.	1	
001	18310-ZOY-000	MUFFLER COMP.	1	
002	18321-ZOL-800	PROTECTOR, MUFFLER	1	
003	18348-ZL8-000	CAP, MUFFLER	1	
004	18381-ZL8-305	GASKET, MUFFLER	(1)	
005	18430-ZL8-000	DEFLECTOR COMP., MUFFLER	1	
007	90004-ZL8-000	BOLT, FLANGE, 6X79 (CT200)	2	
008	90013-883-000	BOLT, FLANGE, 6X12 (CT200)	3	
009	90055-ZE1-000	SCREW, TAPPING, 4X6	2	
009	90055-ZE1-000	SCREW, TAPPING, 4X6	4	

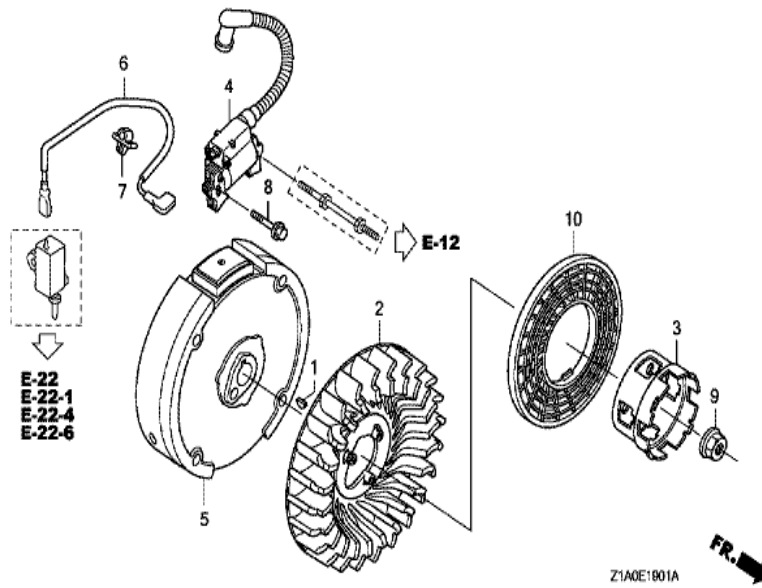


Z1ADE1700B

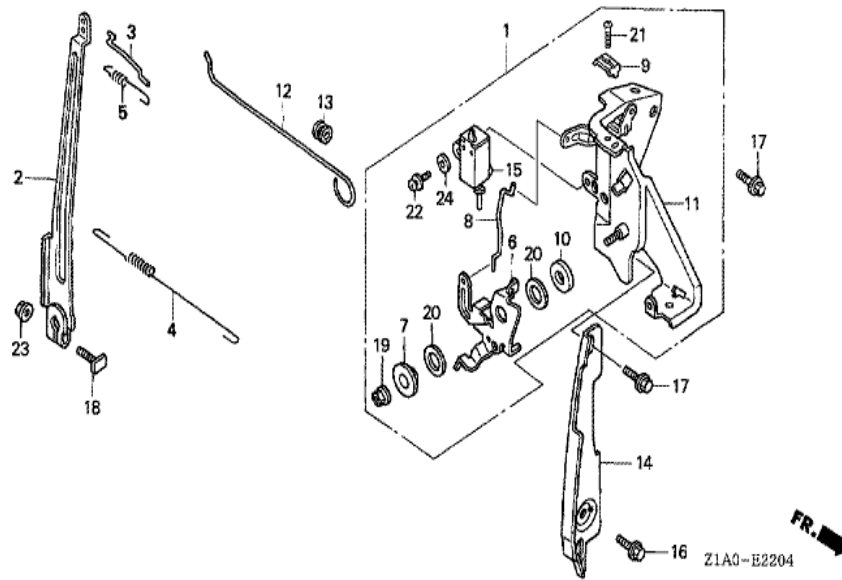
Ref	Partnumber	Description	GC190A	Serial Numbers
001	16700-ZOJ-003	PUMP ASSY., FUEL	1	
001	16700-ZOJ-003	PUMP ASSY., FUEL	1	
002	16854-ZH8-000	RUBBER, SUPPORTER (107MM)	1	
003	16882-ZL8-000	TUBE, DIAPHRAGM	1	
004	16910-ZV4-015	STRAINER COMP., FUEL	1	
005	16915-ZV4-000	SUSPENSION, STRAINER	1	
007	17511-Z8A-810	TANK, FUEL	1	2002417
009	17519-ZL8-800	JOINT, FUEL TUBE	1	
010	17535-166-000	COLLAR, FR. COVER SETTING	1	
011	17561-ZOJ-000	STAY A, FUEL TANK	1	
011	17561-ZOJ-000	STAY A, FUEL TANK	1	
012	17620-ZOM-000	CAP ASSY., FUEL TANK	1	
012	17620-ZOM-000	CAP ASSY., FUEL TANK	1	

<u>Ref</u>	<u>Partnumber</u>	<u>Description</u>	<u>GC190A</u>	<u>Serial Numbers</u>
013	17622-888-010	SPONGE, FUEL CAP BREATHER	1	
013	17622-888-010	SPONGE, FUEL CAP BREATHER	1	
014	17624-ZE7-000	PACKING, FUEL CAP	1	
014	17624-ZE7-000	PACKING, FUEL CAP	1	
016	17701-Z8A-801	TUBE, FUEL TANK (FKM)	1	2002417
016	17701-ZL8-800	TUBE, FUEL TANK	1	1412062
016	17701-ZL8-800	TUBE, FUEL TANK	1	2002416
018	17702-Z8A-801	TUBE, FUEL (FKM)	1	2002417
018	17702-ZL8-800	TUBE, FUEL	1	1412062
018	17702-ZL8-800	TUBE, FUEL	1	2002416
019	17703-Z8A-811	TUBE, FUEL RETURN (FKM)	1	2002417
019	17703-ZL8-800	TUBE, FUEL RETURN	1	1412062
019	17703-ZL8-800	TUBE, FUEL RETURN	1	2002416
020	17704-Z8A-801	TUBE, FUEL PUMP (FKM)	1	2002417
020	17704-ZL8-800	TUBE, FUEL PUMP	1	1412062
020	17704-ZL8-800	TUBE, FUEL PUMP	1	2002416
022	90041-ZL8-000	BOLT, FUEL TANK STUD (H=30MM)	1	
023	90473-896-000	WASHER, 6MM	1	
025	93404-0602500	BOLT-WASHER, 6X25	2	
026	93894-0501400	SCREW-WASHER, 5X14	2	
027	94050-06000	NUT, FLANGE, 6MM	1	
028	91425-Z8A-801	TUBE, FUEL, 5.3X33 (FKM)	1	2002417
028	95001-5503340	TUBE, FUEL, 5.3X33 (95001-55001-60M)	1	1412062
028	95001-5503340	TUBE, FUEL, 5.3X33 (95001-55001-60M)	1	2002416
029	95002-02080	CLIP, TUBE (B8)	1	
029	95002-02080	CLIP, TUBE (B8)	3	2002416
030	95002-02100	CLIP, TUBE (B10)	1	
030	95002-02100	CLIP, TUBE (B10)	5	2002416
031	95002-50000	CLIP, TUBE (C9)	1	2002416
032	95002-70000	CLIP, TUBE (C11)	1	2002416
033	95002-4080008	CLAMP, TUBE (D8)	3	2002417
034	95002-4105008	CLAMP, TUBE (D10.5)	1	2002417
035	95002-4100008	CLAMP, TUBE (D10)	5	2002417
<u>Ref</u>	<u>Partnumber</u>	<u>Description</u>	<u>GC190A</u>	<u>Serial Numbers</u>
036	95002-4120008	CLAMP, TUBE (D12)	1	2002417
037	17518-Z8A-800	COLLAR, TANK SET	2	2002417
038	17532-Z8A-800	RUBBER A, TANK MOUNTING	1	2002417
039	17533-Z8A-800	RUBBER B, TANK MOUNTING	2	2002417
040	06175-Z8A-810	TANK KIT, FUEL	1	2002416

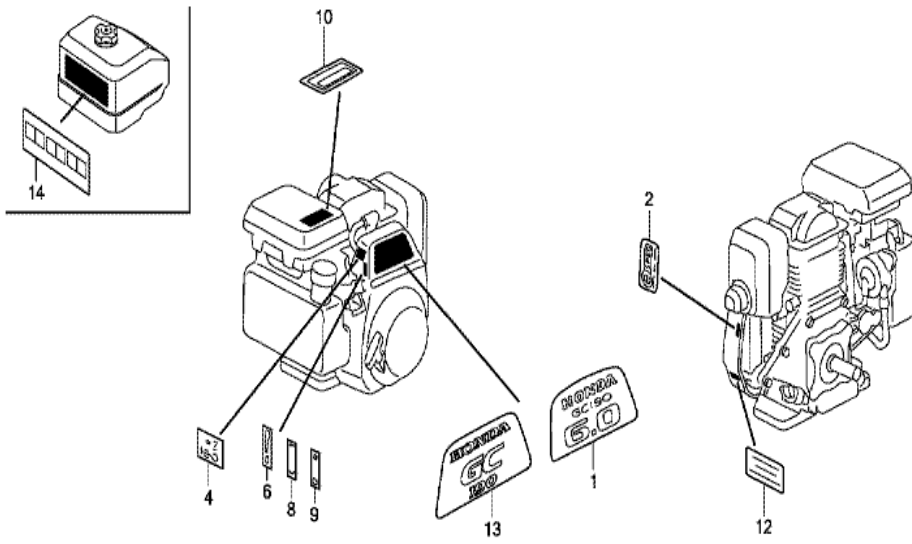




Ref	Partnumber	Description	GC190A	Serial Numbers
001	13331-357-000	KEY, SPECIAL WOODRUFF, 25X18	1	
002	19511-ZOJ-900	FAN, COOLING	1	
003	28451-ZOJ-900	PULLEY, STARTER	1	
004	30500-ZOJ-004	COIL ASSY., IGNITION (TOYO)	1	
005	31110-ZOJ-004	FLYWHEEL COMP.	1	2014511
005	31110-ZOJ-014	FLYWHEEL COMP.	1	2014512
006	32195-ZOJ-900	CORD, STOP SWITCH	1	
007	36103-ZE1-000	HOLDER, STOP SWITCH CORD	1	
007	51125-ZOL-003	HOLDER, WIRE (FASTEX)	1	
007	51125-ZOL-003	HOLDER, WIRE (FASTEX)	1	
008	90018-ZE1-000	BOLT, FLANGE, 6X23 (CT200)	1	
009	90201-ZOT-800	NUT, SPECIAL, 14MM	1	

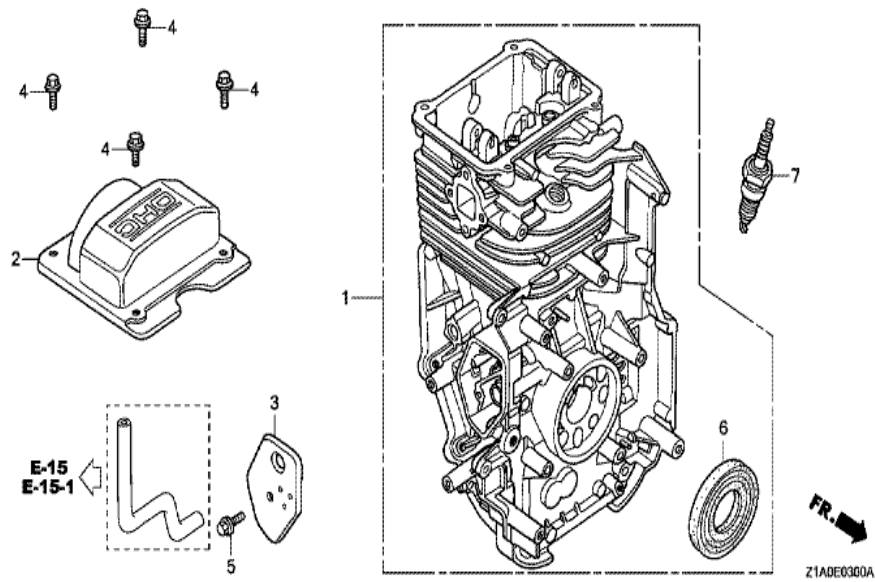


<u>Ref</u>	<u>Partnumber</u>	<u>Description</u>	<u>GC190A</u>	<u>Serial Numbers</u>
001	16500-ZL8-V30	CONTROL ASSY.	1	
002	16551-ZL8-010	ARM, GOVERNOR	1	
002	16551-ZL8-010	ARM, GOVERNOR	1	
003	16555-ZL8-000	ROD, GOVERNOR	1	
004	16561-ZL9-V20	SPRING, GOVERNOR	1	
004	16561-ZL9-V20	SPRING, GOVERNOR	1	
005	16562-ZL8-800	SPRING, THROTTLE RETURN	1	
006	16571-ZL8-800	LEVER, CONTROL	1	
007	16575-ZL8-800	WASHER, CONTROL LEVER (###)	1	
008	16576-ZL8-V30	ROD, CONTROL LEVER	1	
009	16576-891-000	HOLDER, CABLE	1	
010	16578-ZL8-800	SPACER, CONTROL LEVER (###)	1	
011	16580-ZL8-V30	BASE COMP., CONTROL (###)	1	
<u>Ref</u>	<u>Partnumber</u>	<u>Description</u>	<u>GC190A</u>	<u>Serial Numbers</u>
012	16611-ZL8-000	ROD, CHOKE CONTROL	1	
013	16613-893-000	GROMMET, CHOKE ROD	1	
014	19612-ZOL-000	PLATE, SIDE	1	
014	19612-ZOL-000	PLATE, SIDE	1	
015	35120-ZL8-003	SWITCH ASSY., ENGINE STOP (N.O)	1	
016	90013-883-000	BOLT, FLANGE, 6X12 (CT200)	1	
017	90014-952-000	BOLT, FLANGE, 6X14 (CT200)	2	
018	90015-ZE5-010	BOLT, GOVERNOR ARM	1	
019	90114-SAO-000	NUT, SELF-LOCK, 6MM	1	
020	90452-KG8-000	WASHER, 12.5MM	2	
021	93500-050160A	SCREW, PAN, 5X16	1	
022	93892-0401200	SCREW-WASHER, 4X12	1	
023	94050-06000	NUT, FLANGE, 6MM	1	
024	94103-04000	WASHER, PLAIN, 4MM	1	

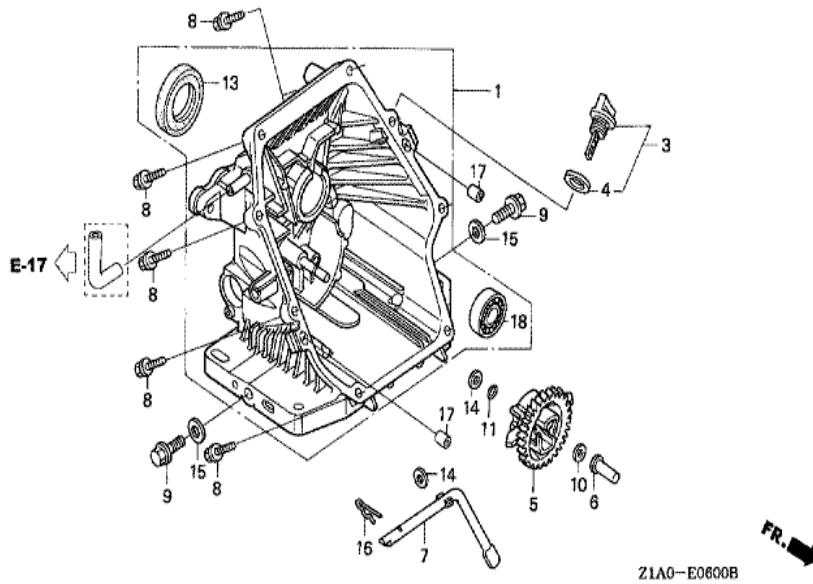


Z1AE2800G

Ref	Partnumber	Description	GC190A	Serial Numbers
004	87528-ZL8-000	MARK, CHOKE	1	
012	87114-ZH7-840	LABEL, WARNING (NOT CERTIFIED FOR SALE)	1	1479093
012	87114-ZH7-840	LABEL, WARNING (NOT CERTIFIED FOR SALE)	1	
013	87101-Z1A-010	MARK, EMBLEM (GC190)	1	
014	87519-Z0J-000	MARK, OPERATOR CAUTION	1	

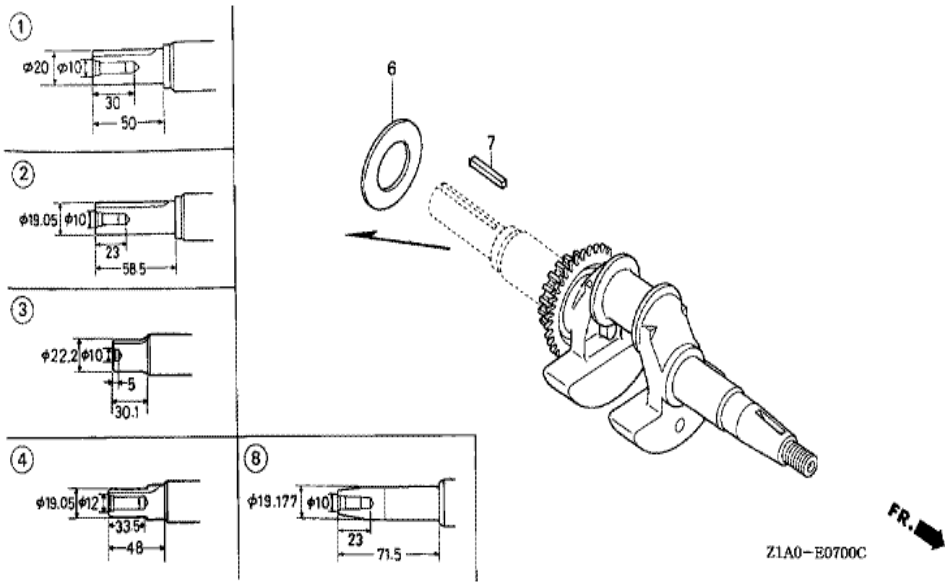


Ref	Partnumber	Description	GC190A	Serial Numbers
001	12000-Z1A-405	BARREL ASSY., CYLINDER	1	
001	12000-Z1A-405	BARREL ASSY., CYLINDER	1	
002	12310-Z0J-000	COVER COMP., CYLINDER HEAD	1	
002	12310-Z0J-000	COVER COMP., CYLINDER HEAD	1	
003	12355-ZL8-000	COVER COMP., BREATHER	1	
004	90013-883-000	BOLT, FLANGE, 6X12 (CT200)	4	
005	90014-952-000	BOLT, FLANGE, 6X14 (CT200)	1	
006	91201-ZL8-003	OIL SEAL, 25.4X62X6	1	
007	98079-56846	PLUG, SPARK (BPR6ES) (NGK)	1	

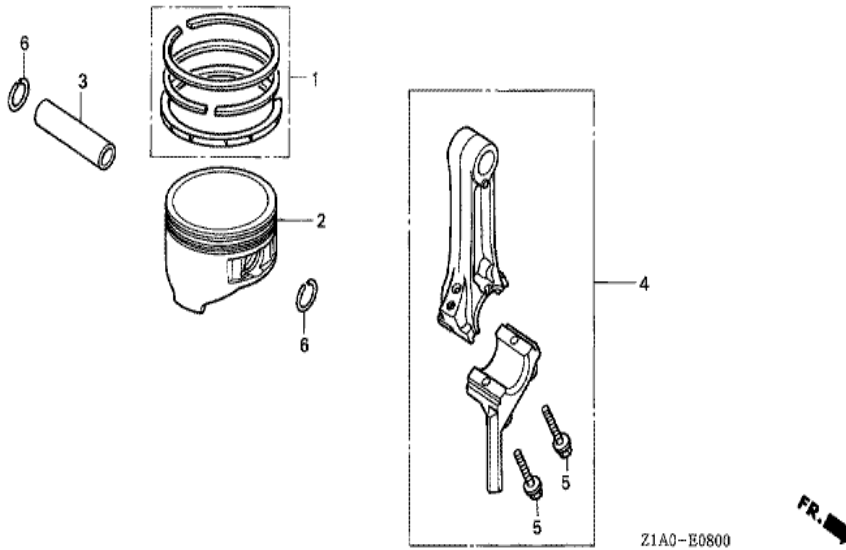


Z1A0-E0600B

<u>Ref</u>	<u>Partnumber</u>	<u>Description</u>	<u>GC190A</u>	<u>Serial Numbers</u>
001	11300-Z1A-406	COVER ASSY., CRANKCASE	1	
001	11300-Z1A-406	COVER ASSY., CRANKCASE	1	
003	15600-ZF0-003	CAP ASSY., OIL FILLER	1	
004	15625-ZE1-003	PACKING, OIL FILLER CAP	1	
005	16510-ZL8-000	GOVERNOR ASSY.	1	
006	16531-ZE1-000	SLIDER, GOVERNOR	1	
007	16541-Z8A-000	SHAFT, GOVERNOR ARM	1	1863709
007	16541-ZL8-000	SHAFT, GOVERNOR ARM	1	1863708
008	90121-952-000	BOLT, FLANGE, 6X25 (CT200)	8	
009	90131-883-000	BOLT, DRAIN PLUG, 12X15	2	
010	90451-ZE1-000	WASHER, THRUST, 6MM	1	
011	90602-ZE1-000	CLIP, GOVERNOR HOLDER	1	
013	91202-ZL8-003	OIL SEAL, 28X41.25X6	1	
<u>Ref</u>	<u>Partnumber</u>	<u>Description</u>	<u>GC190A</u>	<u>Serial Numbers</u>
014	94101-06800	WASHER, PLAIN, 6MM	2	
015	94109-12000	WASHER, DRAIN PLUG, 12MM	2	
016	94251-08000	PIN, LOCK, 8MM	1	
017	94301-08200	DOWEL PIN, 8X20	2	



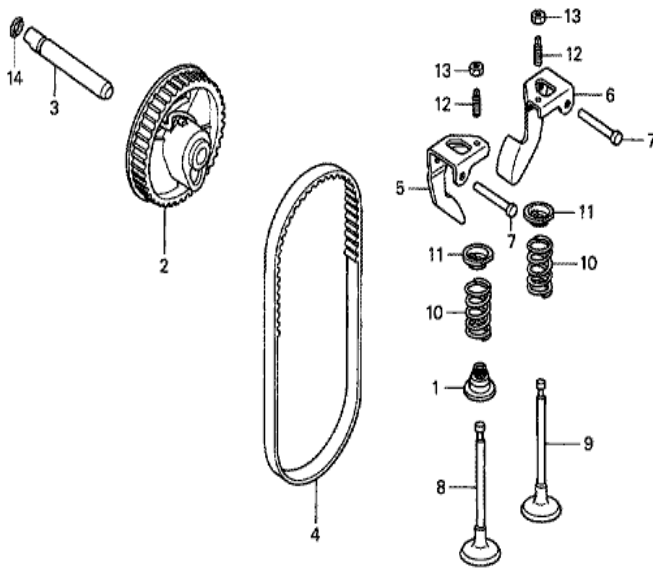
Ref	Partnumber	Description	GC190A	Serial Numbers
002	13310-Z1A-600	CRANKSHAFT COMP.	1	
006	90402-ZL8-000	WASHER, THRUST	1	



Z1A0-E0800



Ref	Partnumber	Description	GC190A	Serial Numbers
001	13010-ZOY-014	RING SET, PISTON (STD.) (TEIKOKU)	1	
001	13010-ZOY-014	RING SET, PISTON (STD.) (TEIKOKU)	1	
002	13101-ZOY-010	PISTON	1	1562253 1645723
002	13101-ZOY-010	PISTON	1	2002416
002	13101-Z8D-820	PISTON	1	2002417
003	13111-ZOY-000	PIN, PISTON	1	
004	13200-ZOY-010	ROD ASSY., CONNECTING	1	
005	90001-ZE1-000	BOLT, CONNECTING ROD	2	
006	90551-ZE0-000	CLIP, PISTON PIN, 13MM	2	



Z1A0-E0900



<u>Ref</u>	<u>Partnumber</u>	<u>Description</u>	<u>GC190A</u>	<u>Serial Numbers</u>
001	12209-ZM0-003	SEAL, VALVE STEM	1	
002	14320-Z0Y-000	PULLEY COMP., CAMSHAFT	1	2007531
002	14320-Z8D-000	PULLEY COMP., CAMSHAFT	1	2007532
003	14324-ZL8-000	SHAFT, CAM PULLEY	1	
004	14400-Z0J-014	BELT, TIMING (84HU7 G-200)	1	
005	14431-Z0J-000	ARM, IN. VALVE ROCKER	1	
005	14431-Z0J-000	ARM, IN. VALVE ROCKER	1	
006	14441-Z0J-000	ARM, EX. VALVE ROCKER	1	
006	14441-Z0J-000	ARM, EX. VALVE ROCKER	1	
007	14461-ZL8-000	SHAFT, ROCKER ARM	2	
008	14711-Z0J-800	VALVE, IN.	1	
008	14711-Z0J-800	VALVE, IN.	1	
008	14711-ZL8-000	VALVE, IN. (TECHNOSTAR)	1	
<u>Ref</u>	<u>Partnumber</u>	<u>Description</u>	<u>GC190A</u>	<u>Serial Numbers</u>
008	14711-ZL8-000	VALVE, IN. (TECHNOSTAR)	1	
009	14721-Z8B-000	VALVE, EX. (C8E)	1	
009	14721-ZL8-000	VALVE, EX. (L8E)	1	
010	14751-ZL8-000	SPRING, VALVE	2	
011	14771-Z0J-000	RETAINER, VALVE SPRING	2	
011	14771-Z0J-000	RETAINER, VALVE SPRING	2	
012	90012-333-000	SCREW, TAPPET ADJUSTING	2	
013	90206-001-000	NUT, TAPPET ADJUSTING	2	
014	91301-ZM0-V31	O-RING, 6.8X1.9 (ARAI)	1	