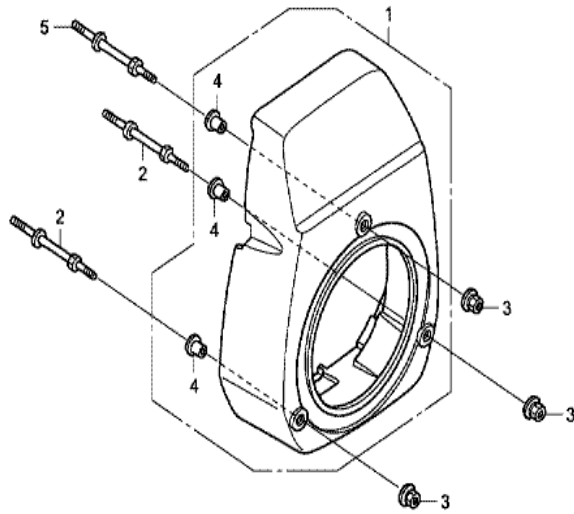


Z1A0-E1100

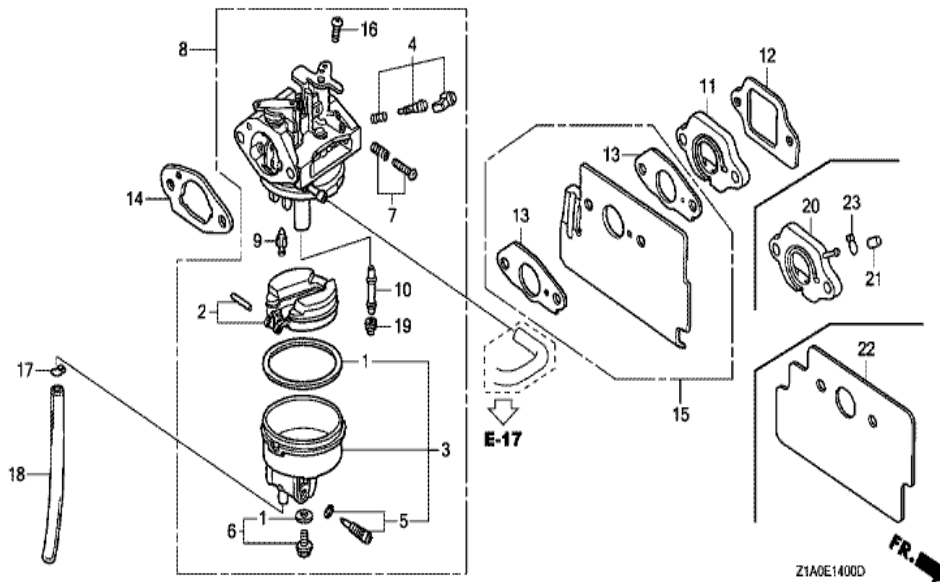


| Ref | Partnumber      | Description                  | GC190A | Serial Numbers |
|-----|-----------------|------------------------------|--------|----------------|
| 001 | 28400-Z1A-013ZA | STARTER ASSY., RECOIL *NH1 * | 1      |                |
| 001 | 28400-Z1A-013ZA | STARTER ASSY., RECOIL *NH1 * | 1      |                |
| 002 | 28461-ZL8-003   | GRIP, STARTER                | 1      |                |
| 003 | 28462-ZL8-003   | ROPE, RECOIL STARTER         | 1      |                |
| 003 | 28462-ZL8-003   | ROPE, RECOIL STARTER         | 1      |                |

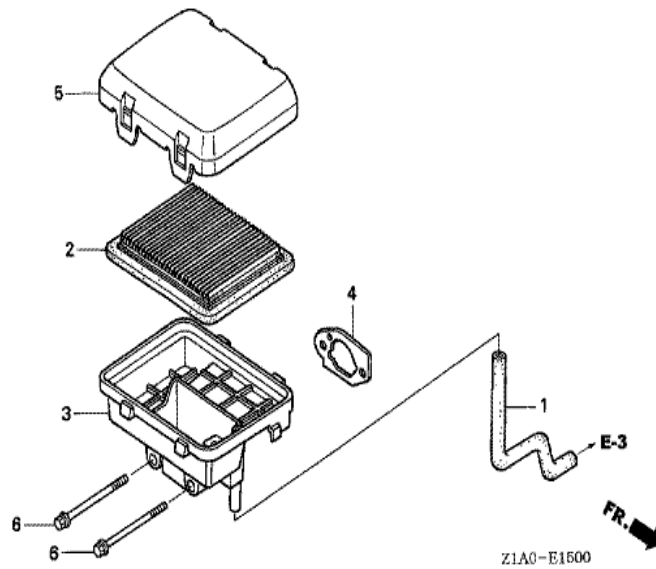


FR. →  
Z1ADE1200C

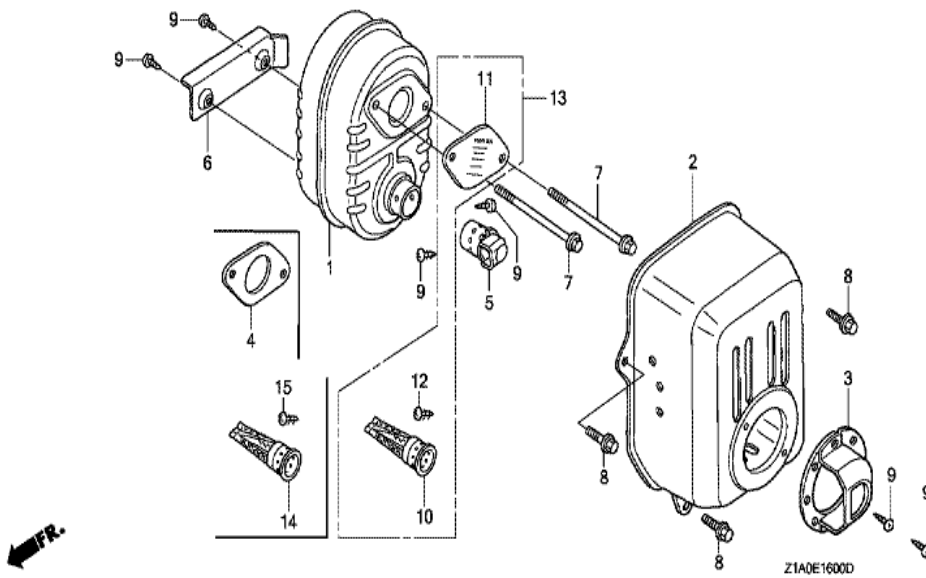
| Ref | Partnumber      | Description            | GC190A | Serial Numbers  |
|-----|-----------------|------------------------|--------|-----------------|
| 001 | 19611-Z1A-000ZA | COVER, FAN *NH1 *      | 1      |                 |
| 001 | 19611-Z1A-000ZA | COVER, FAN *NH1 *      | 1      | 1645723         |
| 001 | 19611-Z1A-900ZA | COVER, FAN *NH1*       | 1      | 1645724         |
| 001 | 19611-Z1A-900ZA | COVER, FAN *NH1*       | 1      | 1645724         |
| 002 | 90043-Z8B-000   | BOLT, STUD (FAN COVER) | 2      | 1973347         |
| 002 | 90043-ZL8-000   | BOLT, STUD (H=42.5MM)  | 2      |                 |
| 002 | 90043-ZL8-000   | BOLT, STUD (H=42.5MM)  | 2      | 1973346         |
| 003 | 90201-ZM0-000   | NUT, FLANGE, 6MM       | 3      |                 |
| 004 | 19619-ZL8-300   | COLLAR, FAN COVER      | 3      |                 |
| 005 | 90043-Z0J-900   | BOLT, STUD (H=39.5MM)  | 1      | 1645724 1973346 |
| 005 | 90043-Z8B-900   | BOLT, STUD (FAN COVER) | 1      | 1973347         |
| 005 | 90043-ZL8-000   | BOLT, STUD (H=42.5MM)  | 1      | 1645723         |
| 005 | 90043-ZL8-000   | BOLT, STUD (H=42.5MM)  | 1      | 1645723         |



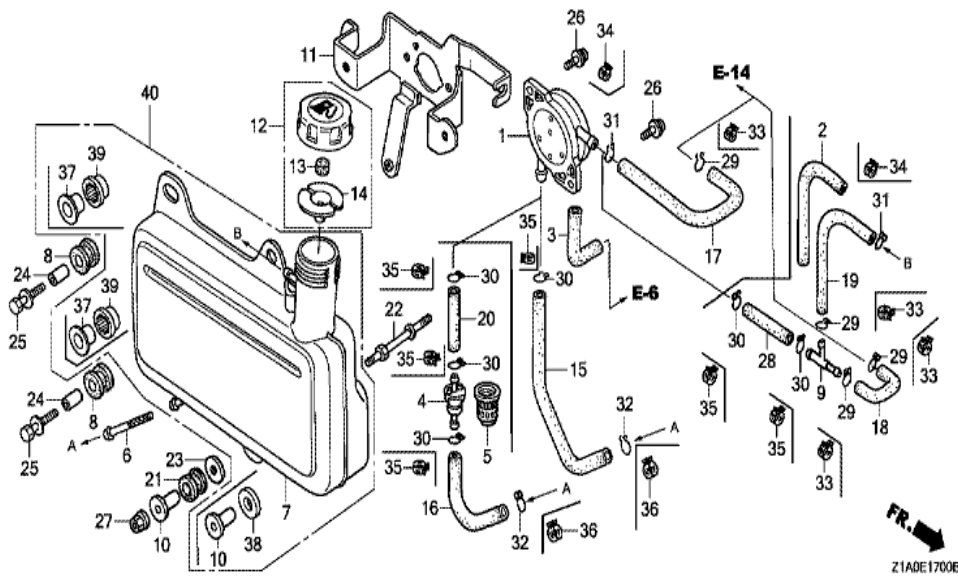
| Ref | Partnumber    | Description                            | GC190A | Serial Numbers |
|-----|---------------|--|--------|----------------|
| 001 | 16010-883-015 | PACKING SET                            | 1      |                |
| 002 | 16013-ZL1-003 | FLOAT SET                              | 1      |                |
| 003 | 16015-ZL8-003 | CHAMBER SET, FLOAT                     | 1      |                |
| 004 | 16016-Z1A-003 | SCREW SET                              | 1      | BB61K A        |
| 005 | 16024-124-760 | SCREW SET, DRAIN                       | 1      |                |
| 006 | 16028-ZE0-005 | SCREW SET                              | 1      |                |
| 007 | 16029-ZG0-901 | SCREW SET (THROTTLE STOP)              | 1      |                |
| 007 | 16029-ZG0-901 | SCREW SET (THROTTLE STOP)              | 1      | BB61K A        |
| 008 | 16100-Z1A-013 | CARBURETOR ASSY. (BB61E B)             | 1      | 1317375        |
| 008 | 16100-Z1A-013 | CARBURETOR ASSY. (BB61E B)             | 1      | 1562252        |
| 008 | 16100-Z1A-801 | CARBURETOR ASSY. (BB61K A)             | 1      | 1317376        |
| 008 | 16100-Z1A-801 | CARBURETOR ASSY. (BB61K A)             | 1      | 1562253        |
| 009 | 16155-ZL8-013 | VALVE COMP., FLOAT                     | 1      |                |
| Ref | Partnumber    | Description                            | GC190A | Serial Numbers |
| 010 | 16166-Z1A-003 | NOZZLE, MAIN                           | 1      |                |
| 010 | 16166-Z1A-003 | NOZZLE, MAIN                           | 1      | BB61K B        |
| 011 | 16211-ZL8-000 | INSULATOR, CARBURETOR                  | 1      |                |
| 012 | 16212-ZL8-000 | PACKING, INSULATOR                     | 1      |                |
| 013 | 16221-883-800 | PACKING, CARBURETOR                    | 2      | 1645723        |
| 014 | 16228-ZL8-000 | PACKING, CARBURETOR                    | 1      |                |
| 015 | 19650-ZL8-000 | GUIDE COMP., AIR                       | 1      | 1645723        |
| 016 | 93500-050061H | SCREW, PAN, 5X6                        | 1      |                |
| 017 | 95002-02650   | CLIP, TUBE (B6.5)                      | 1      |                |
| 018 | 95003-0701531 | TUBE, VINYL, 4X7X150 (95003-07001-60M) | 1      |                |
| 019 | 99101-1240620 | JET, MAIN, #62                         | (1)    |                |
| 019 | 99101-1240620 | JET, MAIN, #62                         | (1)    |                |
| 019 | 99101-1240650 | JET, MAIN, #65                         | (1)    |                |
| 019 | 99101-1240680 | JET, MAIN, #68                         | 1      |                |
| 019 | 99101-1240680 | JET, MAIN, #68                         | 1      |                |
| 022 | 19651-Z0J-000 | GUIDE, AIR                             | 1      | 1645724        |



| Ref | Partnumber    | Description                      | GC190A | Serial Numbers |
|-----|---------------|----------------------------------|--------|----------------|
| 001 | 15721-ZL8-000 | TUBE, BREATHER                   | 1      |                |
| 002 | 17211-ZL8-023 | ELEMENT, AIR CLEANER (TOYO ROKI) | 1      |                |
| 002 | 17211-ZL8-023 | ELEMENT, AIR CLEANER (TOYO ROKI) | 1      |                |
| 003 | 17220-ZL8-000 | CASE COMP., AIR CLEANER          | 1      |                |
| 003 | 17220-ZL8-000 | CASE COMP., AIR CLEANER          | 1      | 1770480        |
| 003 | 17220-ZL8-010 | CASE COMP., AIR CLEANER          | 1      | 1770481        |
| 003 | 17220-ZL8-010 | CASE COMP., AIR CLEANER          | 1      | 1770481        |
| 004 | 17228-Z8A-000 | PACKING, AIR CLEANER             | 1      | 2002417        |
| 004 | 17228-ZL8-000 | PACKING, AIR CLEANER             | 1      | 2002416        |
| 005 | 17231-ZOJ-020 | COVER, AIR CLEANER               | 1      | 1793768        |
| 005 | 17231-ZOJ-040 | COVER, AIR CLEANER               | 1      | 1793769        |
| 006 | 90003-ZL8-000 | BOLT, FLANGE, 6X112 (CT200)      | 2      |                |

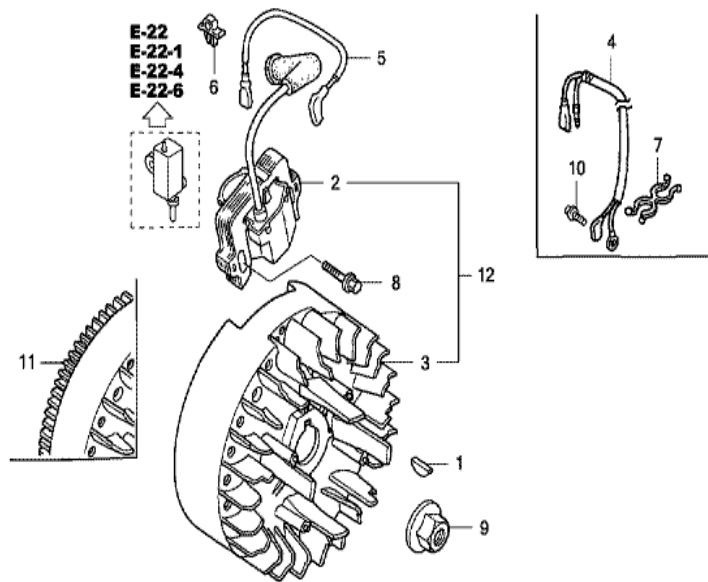


| <u>Ref</u> | <u>Partnumber</u> | <u>Description</u>         | <u>GC190A</u> | <u>Serial Numbers</u> |
|------------|-------------------|----------------------------|---------------|-----------------------|
| 001        | 18310-ZL8-010     | MUFFLER COMP.              | 1             |                       |
| 001        | 18310-ZL8-010     | MUFFLER COMP.              | 1             |                       |
| 002        | 18321-Z0L-000     | PROTECTOR, MUFFLER         | 1             |                       |
| 004        | 18381-ZL8-305     | GASKET, MUFFLER            | (1)           |                       |
| 006        | 19664-ZL8-000     | SHROUD, MUFFLER            | 1             |                       |
| 007        | 90004-ZL8-000     | BOLT, FLANGE, 6X79 (CT200) | 2             |                       |
| 008        | 90013-883-000     | BOLT, FLANGE, 6X12 (CT200) | 3             |                       |
| 009        | 90055-ZE1-000     | SCREW, TAPPING, 4X6        | 2             |                       |
| 010        | 18350-ZL8-000     | ARRESTER COMP., SPARK      | 1             |                       |
| 010        | 18350-ZL8-000     | ARRESTER COMP., SPARK      | (1)           |                       |
| 011        | 18356-ZL8-000     | PLATE, ARRESTER NUMBER     | 1             |                       |
| 011        | 18356-ZL8-000     | PLATE, ARRESTER NUMBER     | (1)           |                       |
| 012        | 90055-ZE1-000     | SCREW, TAPPING, 4X6        | 1             |                       |
| <u>Ref</u> | <u>Partnumber</u> | <u>Description</u>         | <u>GC190A</u> | <u>Serial Numbers</u> |
| 012        | 90055-ZE1-000     | SCREW, TAPPING, 4X6        | (1)           |                       |

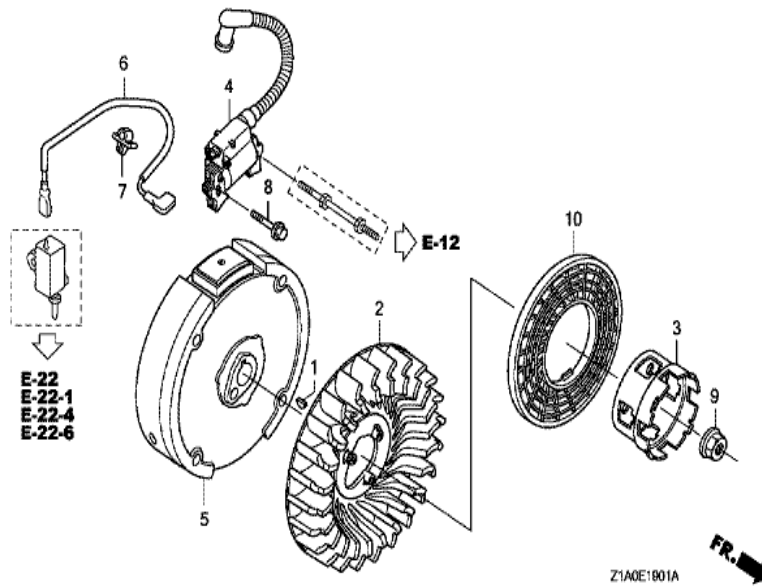


Z1ADE17006

| Ref | Partnumber    | Description                   | GC190A | Serial Numbers |
|-----|---------------|-------------------------------|--------|----------------|
| 001 | 16700-ZOJ-003 | PUMP ASSY., FUEL              | 1      |                |
| 001 | 16700-ZOJ-003 | PUMP ASSY., FUEL              | 1      |                |
| 003 | 16882-ZL8-000 | TUBE, DIAPHRAGM               | 1      |                |
| 006 | 16952-ZA8-800 | STRAINER, FUEL                | 1      |                |
| 007 | 17511-ZOJ-810 | TANK, FUEL                    | 1      | 1562253        |
| 007 | 17511-ZL8-000 | TANK, FUEL                    | 1      |                |
| 010 | 17535-166-000 | COLLAR, FR. COVER SETTING     | 1      |                |
| 011 | 17561-ZOJ-000 | STAY A, FUEL TANK             | 1      |                |
| 011 | 17561-ZOJ-000 | STAY A, FUEL TANK             | 1      |                |
| 012 | 17620-ZL8-013 | CAP ASSY., FUEL TANK          | 1      |                |
| 012 | 17620-ZL8-013 | CAP ASSY., FUEL TANK          | 1      |                |
| 013 | 17622-ZL8-003 | SPONGE, FUEL CAP BREATHER     | 1      |                |
| 013 | 17622-ZL8-003 | SPONGE, FUEL CAP BREATHER     | 1      |                |
| Ref | Partnumber    | Description                   | GC190A | Serial Numbers |
| 014 | 17624-ZL8-003 | PACKING, FUEL CAP             | 1      |                |
| 014 | 17624-ZL8-003 | PACKING, FUEL CAP             | 1      |                |
| 015 | 17701-ZL8-000 | TUBE, FUEL TANK               | 1      | 1412062        |
| 015 | 17701-ZL8-000 | TUBE, FUEL TANK               | 1      |                |
| 017 | 17702-ZL8-000 | TUBE, FUEL                    | 1      | 1412062        |
| 017 | 17702-ZL8-000 | TUBE, FUEL                    | 1      |                |
| 022 | 90041-ZL8-000 | BOLT, FUEL TANK STUD (H=30MM) | 1      |                |
| 023 | 90473-896-000 | WASHER, 6MM                   | 1      |                |
| 025 | 93404-0602500 | BOLT-WASHER, 6X25             | 2      |                |
| 026 | 93894-0501400 | SCREW-WASHER, 5X14            | 2      |                |
| 027 | 94050-06000   | NUT, FLANGE, 6MM              | 1      |                |
| 029 | 95002-02080   | CLIP, TUBE (B8)               | 1      |                |
| 030 | 95002-02100   | CLIP, TUBE (B10)              | 1      |                |
| 031 | 95002-50000   | CLIP, TUBE (C9)               | 1      |                |
| 032 | 95002-70000   | CLIP, TUBE (C11)              | 1      |                |
| 040 | 06175-Z8A-800 | TANK KIT, FUEL                | 1      |                |

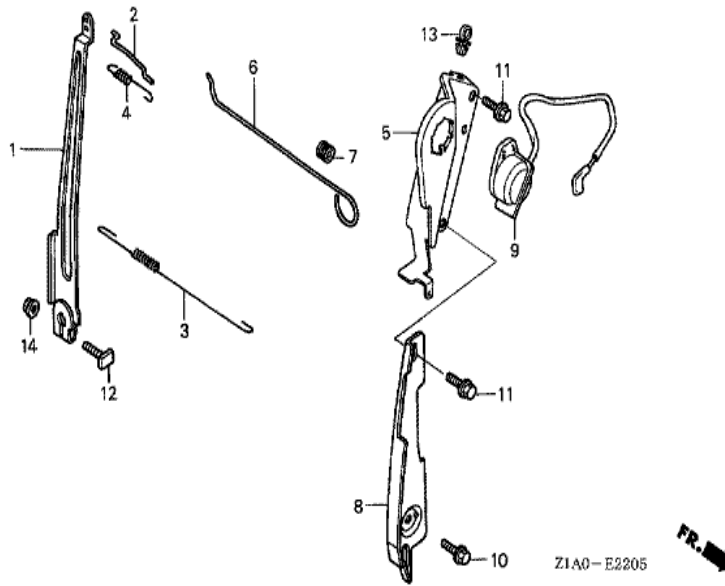


| <u>Ref</u> | <u>Partnumber</u> | <u>Description</u>                       | <u>GC190A</u> | <u>Serial Numbers</u> |
|------------|-------------------|--|---------------|-----------------------|
| 001        | 13331-357-000     | KEY, SPECIAL WOODRUFF, 25X18             | 1             |                       |
| 001        | 13331-357-000     | KEY, SPECIAL WOODRUFF, 25X18             | 1             | 1645723               |
| 002        | 30500-Z0J-003     | COIL ASSY., IGNITION (PHELON) (USE FOR F | 1             |                       |
| 002        | 30500-Z0J-003     | COIL ASSY., IGNITION (PHELON) (USE FOR F | 1             | 1645723               |
| 002        | 30500-ZL8-014     | COIL ASSY., IGNITION (TEC) (USE FOR F/W  | (1)           | 1645723               |
| 002        | 30500-ZL8-014     | COIL ASSY., IGNITION (TEC) (USE FOR F/W  | (1)           | 1645723               |
| 003        | 31110-Z0J-013     | FLYWHEEL COMP. (PHELON) (USE FOR IGN. CO | 1             |                       |
| 003        | 31110-Z0J-013     | FLYWHEEL COMP. (PHELON) (USE FOR IGN. CO | 1             |                       |
| 003        | 31110-Z0L-932     | FLYWHEEL COMP. (TEC) (USE FOR IGN. COIL  | (1)           | 1645723               |
| 003        | 31110-Z0L-932     | FLYWHEEL COMP. (TEC) (USE FOR IGN. COIL  | (1)           | 1645723               |
| 008        | 90022-888-010     | BOLT, FLANGE, 6X20 (CT200)               | 1             |                       |
| 008        | 90022-888-010     | BOLT, FLANGE, 6X20 (CT200)               | 1             | 1645723               |
| 009        | 90213-S3Y-000     | NUT, FLANGE, 14MM                        | 1             |                       |
| <u>Ref</u> | <u>Partnumber</u> | <u>Description</u>                       | <u>GC190A</u> | <u>Serial Numbers</u> |
| 009        | 90213-S3Y-000     | NUT, FLANGE, 14MM                        | 1             | 1645723               |
| 012        | 06311-Z0J-930     | FLYWHEEL KIT (SEL)                       | (1)           | 1645723               |

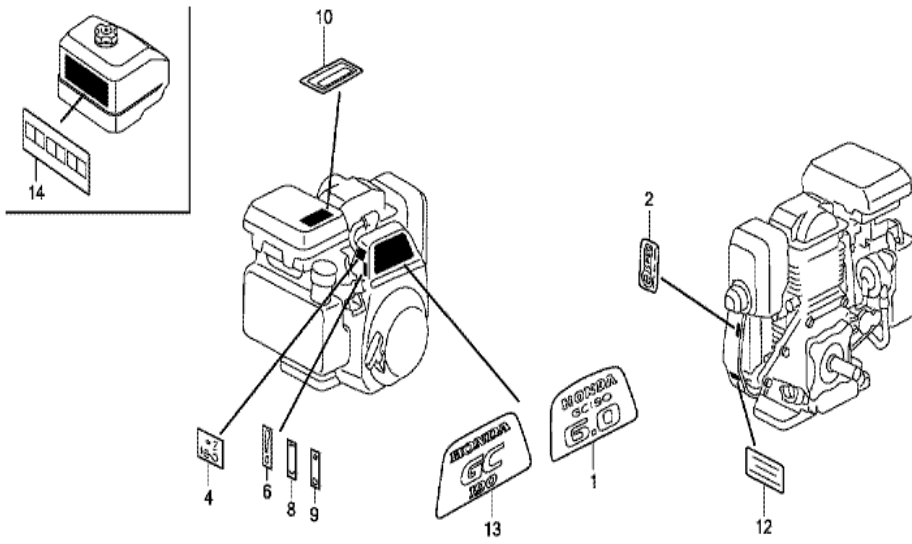


| Ref | Partnumber    | Description                  | GC190A | Serial Numbers |
|-----|---------------|------------------------------|--------|----------------|
| 001 | 13331-357-000 | KEY, SPECIAL WOODRUFF, 25X18 | 1      |                |
| 001 | 13331-357-000 | KEY, SPECIAL WOODRUFF, 25X18 | 1      | 1645724        |
| 002 | 19511-Z0J-900 | FAN, COOLING                 | 1      |                |
| 002 | 19511-Z0J-900 | FAN, COOLING                 | 1      | 1645724        |
| 003 | 28451-Z0J-900 | PULLEY, STARTER              | 1      |                |
| 003 | 28451-Z0J-900 | PULLEY, STARTER              | 1      | 1645724        |
| 004 | 30500-Z0J-004 | COIL ASSY., IGNITION (TOYO)  | 1      |                |
| 004 | 30500-Z0J-004 | COIL ASSY., IGNITION (TOYO)  | 1      | 1645724        |
| 005 | 31110-Z0J-004 | FLYWHEEL COMP.               | 1      |                |
| 005 | 31110-Z0J-004 | FLYWHEEL COMP.               | 1      | 1645724        |
| 009 | 90201-Z0T-800 | NUT, SPECIAL, 14MM           | 1      |                |
| 009 | 90201-Z0T-800 | NUT, SPECIAL, 14MM           | 1      | 1645724        |



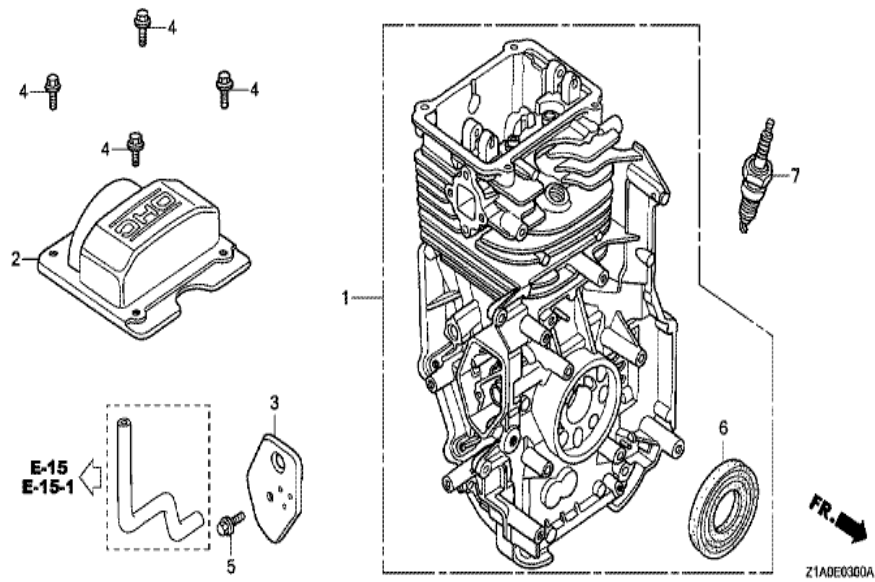


| <u>Ref</u> | <u>Partnumber</u> | <u>Description</u>                  | <u>GC190A</u> | <u>Serial Numbers</u> |
|------------|-------------------|-------------------------------------|---------------|-----------------------|
| 001        | 16551-ZL8-010     | ARM, GOVERNOR                       | 1             |                       |
| 002        | 16555-ZL8-000     | ROD, GOVERNOR                       | 1             |                       |
| 003        | 16561-ZOJ-000     | SPRING, GOVERNOR                    | 1             |                       |
| 003        | 16561-ZOJ-000     | SPRING, GOVERNOR                    | 1             |                       |
| 004        | 16562-ZL8-800     | SPRING, THROTTLE RETURN             | 1             |                       |
| 005        | 16581-ZOJ-800     | BASE, CONTROL                       | 1             |                       |
| 006        | 16611-ZL8-000     | ROD, CHOKE CONTROL                  | 1             |                       |
| 007        | 16613-893-000     | GROMMET, CHOKE ROD                  | 1             |                       |
| 007        | 16613-893-000     | GROMMET, CHOKE ROD                  | 1             |                       |
| 008        | 19612-ZOL-000     | PLATE, SIDE                         | 1             |                       |
| 008        | 19612-ZOL-000     | PLATE, SIDE                         | 1             |                       |
| 009        | 35120-Z1A-801     | SWITCH ASSY., ENGINE STOP           | 1             |                       |
| 010        | 90013-883-000     | BOLT, FLANGE, 6X12 (CT200)          | 1             |                       |
| <u>Ref</u> | <u>Partnumber</u> | <u>Description</u>                  | <u>GC190A</u> | <u>Serial Numbers</u> |
| 011        | 90014-952-000     | BOLT, FLANGE, 6X14 (CT200)          | 2             |                       |
| 011        | 90014-952-000     | BOLT, FLANGE, 6X14 (CT200)          | 2             |                       |
| 012        | 90015-ZE5-010     | BOLT, GOVERNOR ARM                  | 1             |                       |
| 013        | 51125-ZOL-003     | HOLDER, WIRE (FASTEX)               | 1             |                       |
| 013        | 51125-ZOL-003     | HOLDER, WIRE (FASTEX)               | 1             |                       |
| 013        | 90681-959-003     | CLIP A, CABLE (NIFCO) (3.8MM BLACK) | 1             |                       |
| 013        | 90681-959-003     | CLIP A, CABLE (NIFCO) (3.8MM BLACK) | 1             |                       |
| 014        | 94050-06000       | NUT, FLANGE, 6MM                    | 1             |                       |

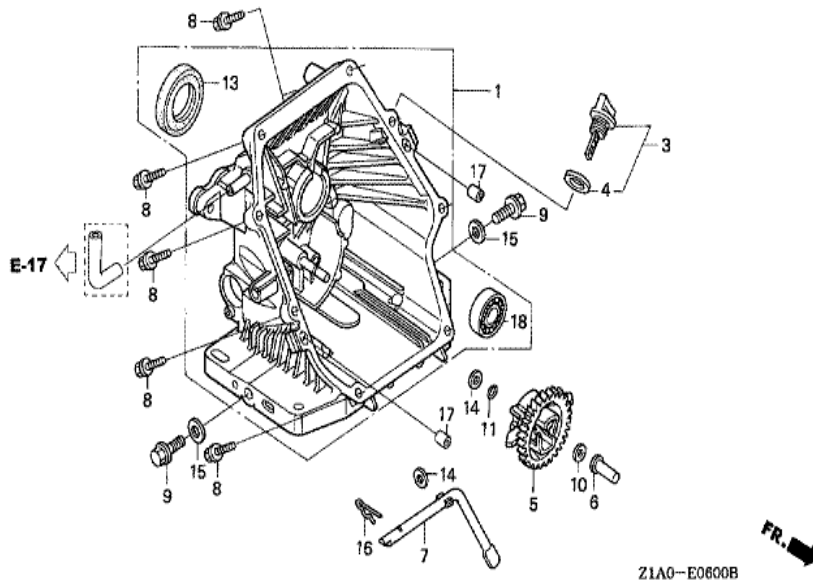


Z1AE2800G

| Ref | Partnumber    | Description                             | GC190A | Serial Numbers |
|-----|---------------|---|--------|----------------|
| 001 | 87101-Z1A-000 | MARK, EMBLEM (GC190 6.0)                | 1      |                |
| 004 | 87528-ZL8-000 | MARK, CHOKE                             | 1      |                |
| 012 | 87114-ZH7-840 | LABEL, WARNING (NOT CERTIFIED FOR SALE) | 1      | 1479093        |
| 012 | 87114-ZH7-840 | LABEL, WARNING (NOT CERTIFIED FOR SALE) | 1      | 1479093        |



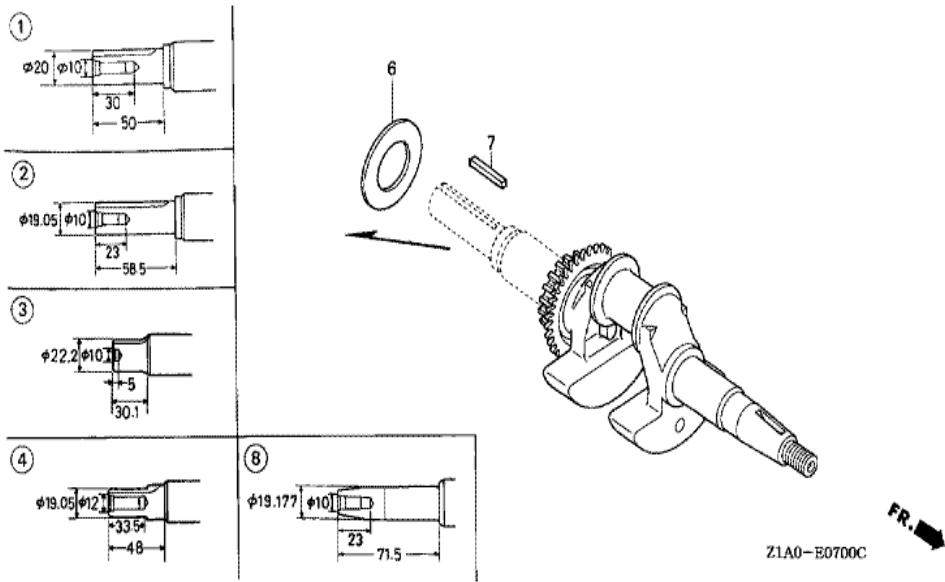
| Ref | Partnumber    | Description                | GC190A | Serial Numbers |
|-----|---------------|----------------------------|--------|----------------|
| 001 | 12000-Z1A-405 | BARREL ASSY., CYLINDER     | 1      |                |
| 001 | 12000-Z1A-405 | BARREL ASSY., CYLINDER     | 1      |                |
| 002 | 12311-ZL8-D00 | COVER, HEAD                | 1      |                |
| 002 | 12311-ZL8-D00 | COVER, HEAD                | 1      |                |
| 003 | 12355-ZL8-000 | COVER COMP., BREATHER      | 1      |                |
| 004 | 90013-883-000 | BOLT, FLANGE, 6X12 (CT200) | 4      |                |
| 005 | 90014-952-000 | BOLT, FLANGE, 6X14 (CT200) | 1      |                |
| 006 | 91201-ZL8-003 | OIL SEAL, 25.4X62X6        | 1      |                |
| 007 | 98079-56846   | PLUG, SPARK (BPR6ES) (NGK) | 1      |                |



Z1A0-E0600B

FR. →

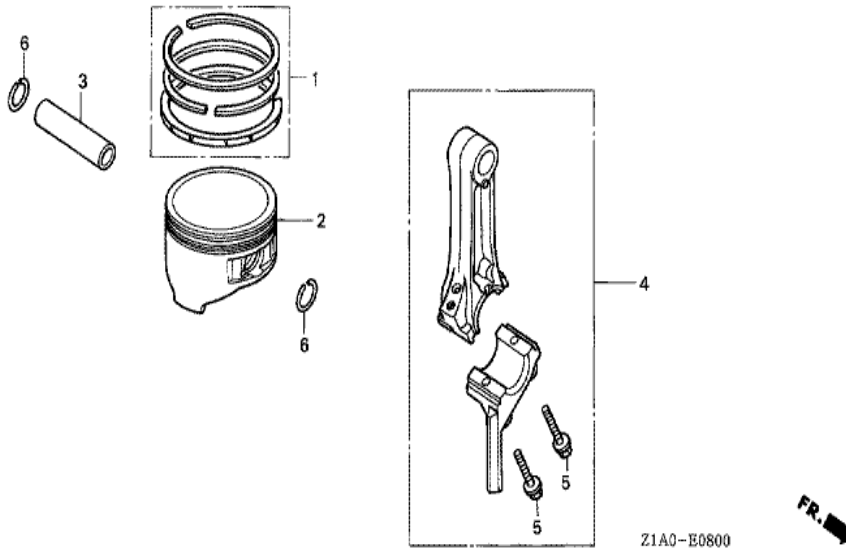
| <u>Ref</u> | <u>Partnumber</u> | <u>Description</u>         | <u>GC190A</u> | <u>Serial Numbers</u> |
|------------|-------------------|----------------------------|---------------|-----------------------|
| 001        | 11300-Z1A-406     | COVER ASSY., CRANKCASE     | 1             |                       |
| 001        | 11300-Z1A-406     | COVER ASSY., CRANKCASE     | 1             |                       |
| 003        | 15600-ZF0-003     | CAP ASSY., OIL FILLER      | 1             |                       |
| 004        | 15625-ZE1-003     | PACKING, OIL FILLER CAP    | 1             |                       |
| 005        | 16510-ZL8-000     | GOVERNOR ASSY.             | 1             |                       |
| 006        | 16531-ZE1-000     | SLIDER, GOVERNOR           | 1             |                       |
| 007        | 16541-Z8A-000     | SHAFT, GOVERNOR ARM        | 1             | 1863709               |
| 007        | 16541-ZL8-000     | SHAFT, GOVERNOR ARM        | 1             | 1863708               |
| 008        | 90121-952-000     | BOLT, FLANGE, 6X25 (CT200) | 8             |                       |
| 009        | 90131-883-000     | BOLT, DRAIN PLUG, 12X15    | 2             |                       |
| 010        | 90451-ZE1-000     | WASHER, THRUST, 6MM        | 1             |                       |
| 011        | 90602-ZE1-000     | CLIP, GOVERNOR HOLDER      | 1             |                       |
| 013        | 91202-ZL8-003     | OIL SEAL, 28X41.25X6       | 1             |                       |
| <u>Ref</u> | <u>Partnumber</u> | <u>Description</u>         | <u>GC190A</u> | <u>Serial Numbers</u> |
| 014        | 94101-06800       | WASHER, PLAIN, 6MM         | 2             |                       |
| 015        | 94109-12000       | WASHER, DRAIN PLUG, 12MM   | 2             |                       |
| 016        | 94251-08000       | PIN, LOCK, 8MM             | 1             |                       |
| 017        | 94301-08200       | DOWEL PIN, 8X20            | 2             |                       |



Z1A0-E0700C

FR. 

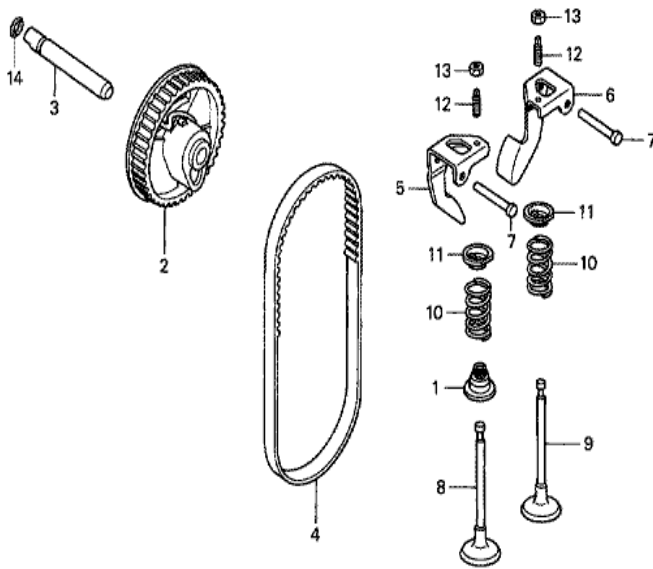
| Ref | Partnumber    | Description      | GC190A | Serial Numbers |
|-----|---------------|------------------|--------|----------------|
| 002 | 13310-Z1A-600 | CRANKSHAFT COMP. | 1      |                |
| 006 | 90402-ZL8-000 | WASHER, THRUST   | 1      |                |



Z1A0-E0800



| Ref | Partnumber    | Description                       | GC190A | Serial Numbers |
|-----|---------------|-----------------------------------|--------|----------------|
| 001 | 13010-ZOY-004 | RING SET, PISTON (STD.) (TEIKOKU) | 1      |                |
| 001 | 13010-ZOY-004 | RING SET, PISTON (STD.) (TEIKOKU) | 1      | 1562252        |
| 001 | 13010-ZOY-014 | RING SET, PISTON (STD.) (TEIKOKU) | 1      |                |
| 001 | 13010-ZOY-014 | RING SET, PISTON (STD.) (TEIKOKU) | 1      | 1562253        |
| 002 | 13101-ZOY-000 | PISTON                            | 1      |                |
| 002 | 13101-ZOY-000 | PISTON                            | 1      | 1562252        |
| 002 | 13101-ZOY-010 | PISTON                            | 1      | 1562253        |
| 002 | 13101-ZOY-010 | PISTON                            | 1      | 1562253        |
| 003 | 13111-ZOY-000 | PIN, PISTON                       | 1      |                |
| 004 | 13200-ZOY-000 | ROD ASSY., CONNECTING             | 1      |                |
| 005 | 90001-ZE1-000 | BOLT, CONNECTING ROD              | 2      |                |
| 006 | 90551-ZE0-000 | CLIP, PISTON PIN, 13MM            | 2      |                |



Z1A0-E0900

| <u>Ref</u> | <u>Partnumber</u> | <u>Description</u>         | <u>GC190A</u> | <u>Serial Numbers</u> |
|------------|-------------------|----------------------------|---------------|-----------------------|
| 001        | 12209-ZM0-003     | SEAL, VALVE STEM           | 1             |                       |
| 002        | 14320-Z0Y-000     | PULLEY COMP., CAMSHAFT     | 1             |                       |
| 003        | 14324-ZL8-000     | SHAFT, CAM PULLEY          | 1             |                       |
| 004        | 14400-Z0J-014     | BELT, TIMING (84HU7 G-200) | 1             |                       |
| 005        | 14431-Z0J-000     | ARM, IN. VALVE ROCKER      | 1             |                       |
| 005        | 14431-Z0J-000     | ARM, IN. VALVE ROCKER      | 1             |                       |
| 006        | 14441-Z0J-000     | ARM, EX. VALVE ROCKER      | 1             |                       |
| 006        | 14441-Z0J-000     | ARM, EX. VALVE ROCKER      | 1             |                       |
| 007        | 14461-ZL8-000     | SHAFT, ROCKER ARM          | 2             |                       |
| 008        | 14711-ZL8-000     | VALVE, IN. (TECHNOSTAR)    | 1             |                       |
| 008        | 14711-ZL8-000     | VALVE, IN. (TECHNOSTAR)    | 1             |                       |
| 009        | 14721-Z8B-000     | VALVE, EX. (C8E)           | 1             |                       |
| 009        | 14721-ZL8-000     | VALVE, EX. (L8E)           | 1             |                       |
| <u>Ref</u> | <u>Partnumber</u> | <u>Description</u>         | <u>GC190A</u> | <u>Serial Numbers</u> |
| 010        | 14751-ZL8-000     | SPRING, VALVE              | 2             |                       |
| 011        | 14771-Z0J-000     | RETAINER, VALVE SPRING     | 2             |                       |
| 011        | 14771-Z0J-000     | RETAINER, VALVE SPRING     | 2             |                       |
| 012        | 90012-333-000     | SCREW, TAPPET ADJUSTING    | 2             |                       |
| 013        | 90206-001-000     | NUT, TAPPET ADJUSTING      | 2             |                       |
| 014        | 91301-ZM0-V31     | O-RING, 6.8X1.9 (ARAI)     | 1             |                       |