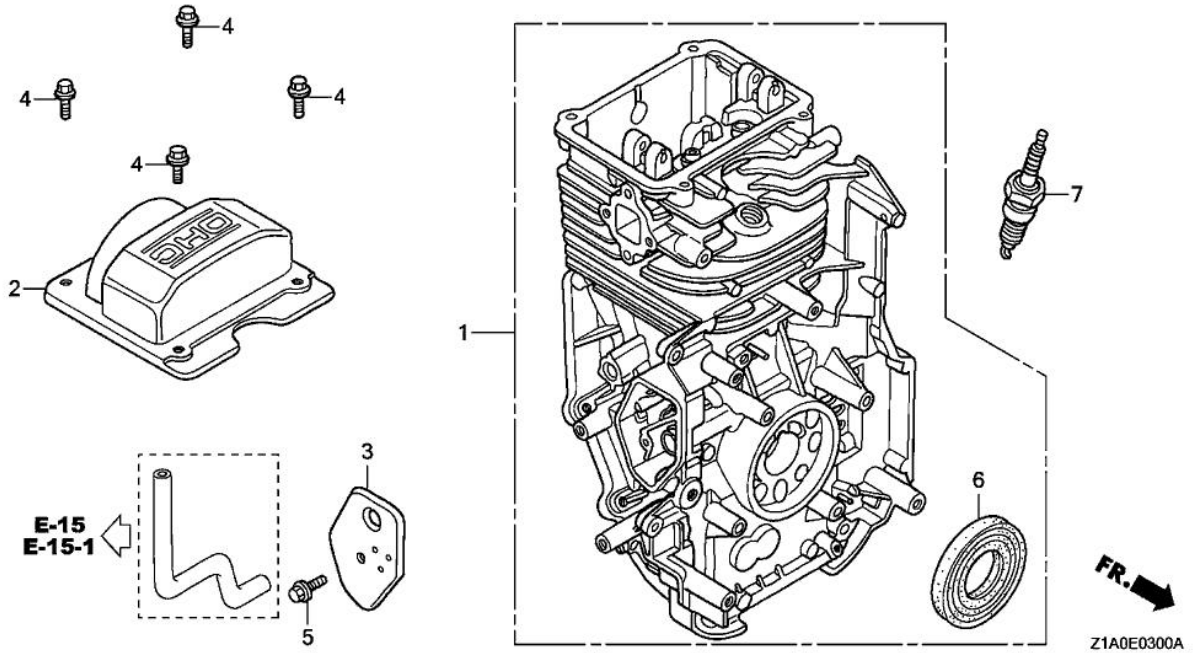
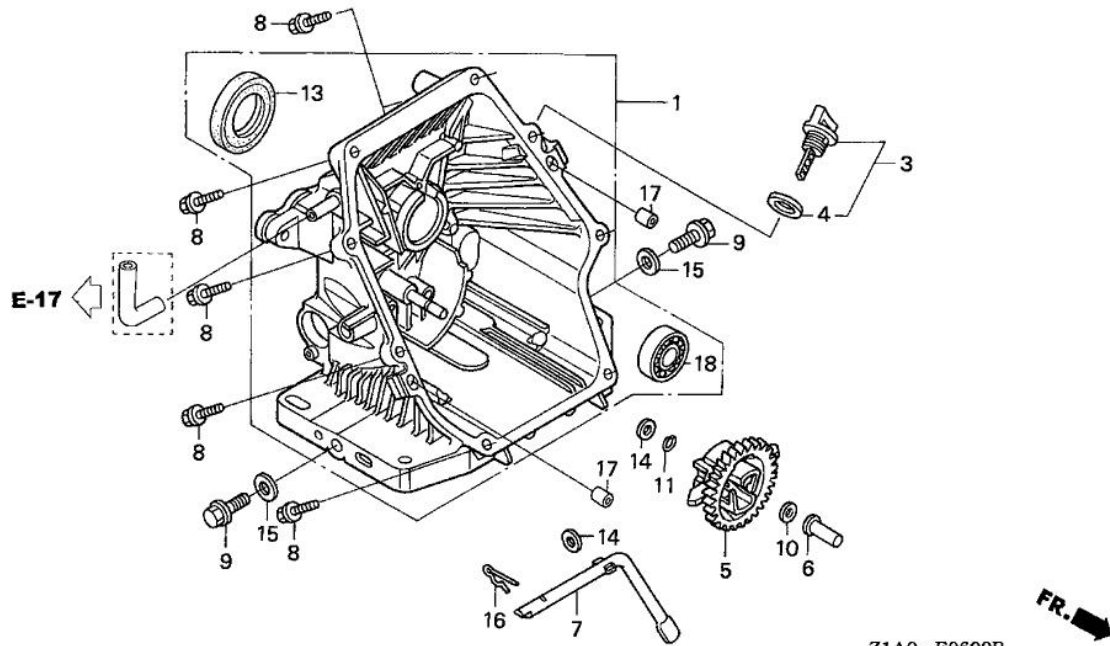


TRU-POWER, INC.

Model Name	GC190A	Product Line	GENERAL PURPOSE ENGINE
Mfg		Type	QHA
Section	ENGINE	Illustration	CYLINDER

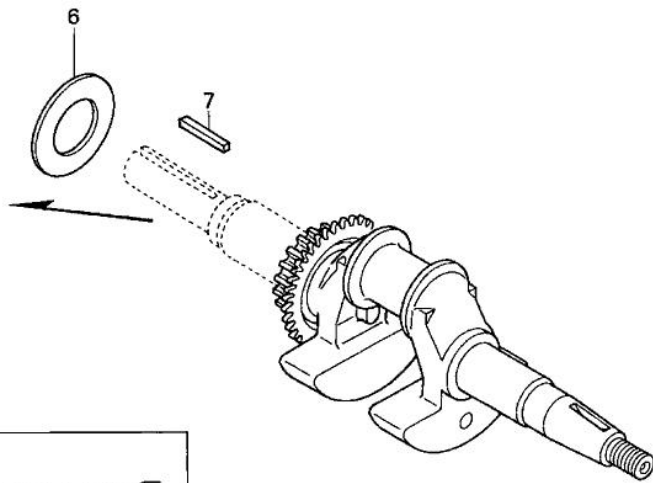
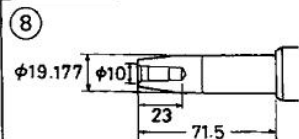
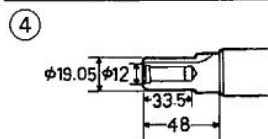
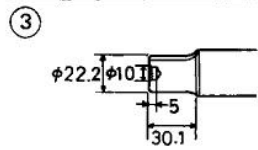
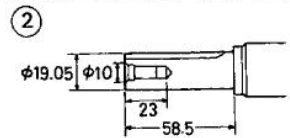
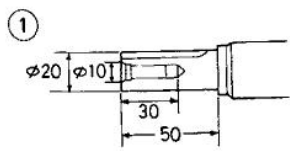


Ref.	Part Number	Part Description	Qty.
001	12000-Z1A-0000	CYLINDER ASSY.	001
002	12310-Z0J-000	COVER, CYLINDER HEAD	001
002	12310-Z8A-000	COVER, CYLINDER HEAD	001
003	12355-ZL8-000	COVER, BREATHER (BREATHER VALVE ASSY.)	001
004	90013-883-000	BOLT, FLANGE (6X12) (CT200)	004
005	90014-952-000	BOLT, FLANGE (6X14) (CT200)	001
006	91201-ZL8-003	OIL SEAL (25.4X62X6)	001
007	98079-56846	SPARK PLUG (BPR6ES) (NGK)	001



Z1A0-E0600B

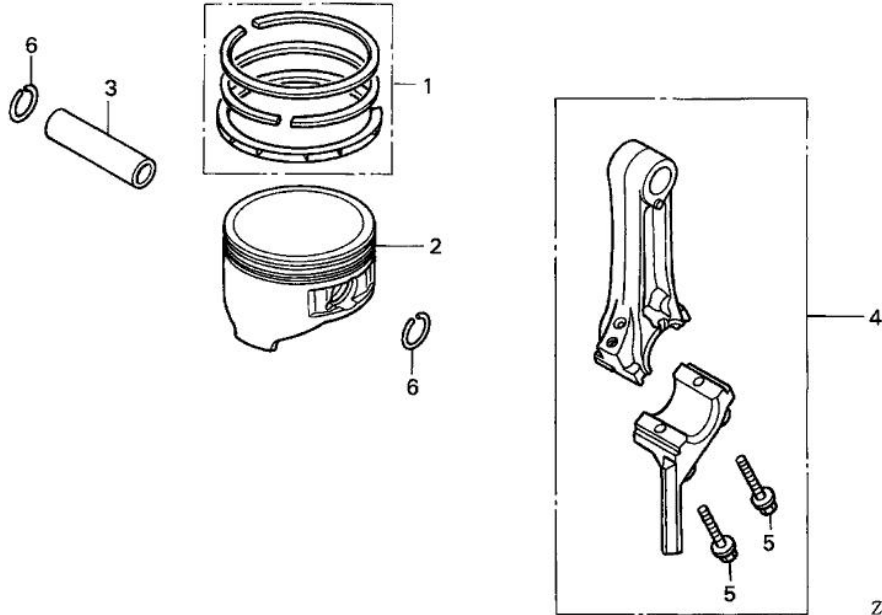
Ref.	Part Number	Part Description	Qty.
001	11300-Z1A-600	COVER ASSY, CRANKCAS	001
003	15600-ZF0-003	CAP ASSY., OIL FILLER	001
004	15625-ZE1-003	GASKET, OIL FILLER CAP	001
005	16510-ZL8-000	GOVERNOR ASSY.	001
006	16531-ZE1-000	SLIDER, GOVERNOR	001
007	16541-ZL8-000	SHAFT, GOVERNOR ARM	001
008	90121-952-000	BOLT, FLANGE (6X25) (CT200)	008
009	90131-896-650	BOLT, DRAIN PLUG (12X15)	002
010	90451-ZE1-000	WASHER, THRUST (6MM)	001
011	90602-ZE1-000	CLIP, GOVERNOR HOLDER	001
013	91202-ZL8-003	OIL SEAL (28X41.25X6)	001
014	94101-06800	WASHER, PLAIN (6MM)	002
015	94109-12000	WASHER, DRAIN PLUG (12MM)	002
016	94251-08000	PIN, LOCK (8MM)	001
017	94301-08200	PIN, DOWEL (8X20)	002



Z1A0-E0700C



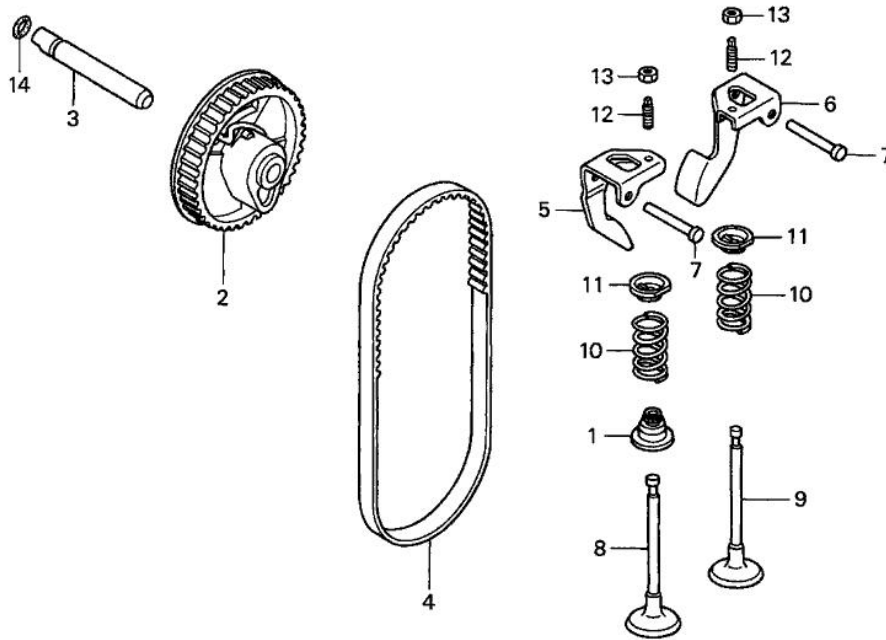
Ref.	Part Number	Part Description	Qty.
002	13310-Z1A-600	CRANKSHAFT	001
006	90402-ZL8-000	WASHER, THRUST	001



FR. →

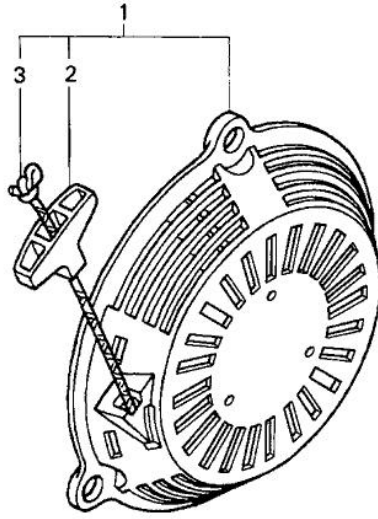
Z1A0-E0800

Ref.	Part Number	Part Description	Qty.
001	13010-Z0Y-004	RING SET, PISTON (STD) (TEIKOKU)	001
001	13010-Z0Y-014	RING SET, PISTON (STD) (TEIKOKU)	001
002	13101-Z0Y-000	PISTON	001
002	13101-Z8D-820	PISTON	001
003	13111-Z0Y-000	PIN, PISTON	001
004	13200-Z0Y-000	ROD ASSY., CONNECTING	001
004	13200-Z0Y-010	ROD ASSY., CONNECTING	001
005	90001-ZE1-000	BOLT, CONNECTING ROD	002
006	90551-ZE0-000	CLIP, PISTON PIN (13MM)	002



Z1A0-E0900

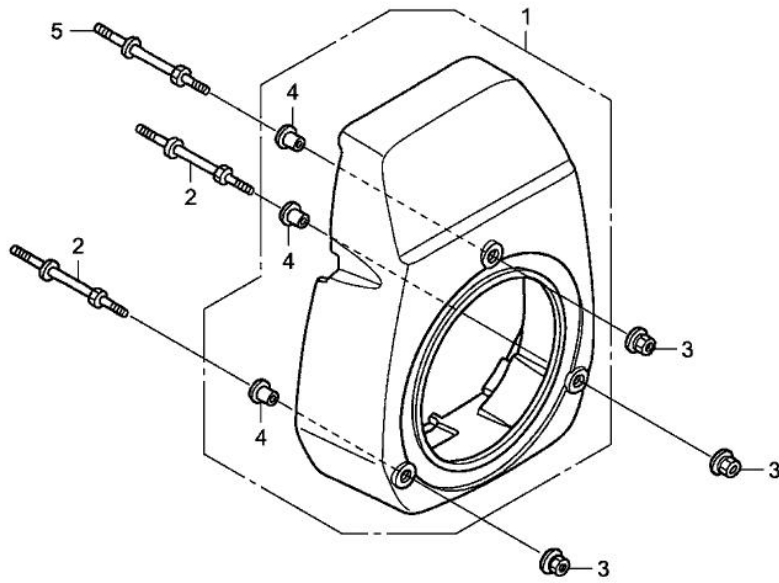
Ref.	Part Number	Part Description	Qty.
001	12209-ZM0-003	SEAL, VALVE STEM	001
002	14320-Z0Y-000	PULLEY, CAMSHAFT	001
002	14320-Z8D-000	PULLEY, CAMSHAFT	001
003	14324-ZL8-000	SHAFT, CAM PULLEY	001
004	14400-Z0J-014	BELT, TIMING (84HU7 G-200)	001
004	14400-Z8B-003	BELT, TIMING (84HU6 G-200)	001
005	14431-Z0J-000	ARM, IN. VALVE ROCKER	001
006	14441-Z0J-000	ARM, EX. VALVE ROCKER	001
007	14461-ZL8-000	SHAFT, ROCKER ARM	002
008	14711-ZL8-000	VALVE, IN. (TECHNOSTAR)	001
009	14721-ZL8-000	VALVE, EX. (L8E)	001
009	14721-Z8B-000	VALVE, EX. (C8E)	001
010	14751-ZL8-000	SPRING, VALVE	002
011	14771-ZE1-000	RETAINER, IN. VALVE SPRING	002
012	90012-333-000	SCREW, TAPPET ADJUSTING	002
013	90206-001-000	NUT, TAPPET ADJUSTING	002
014	91301-ZM0-V31	O-RING (6.8X1.9) (ARAI)	001



Z1A0-E1100

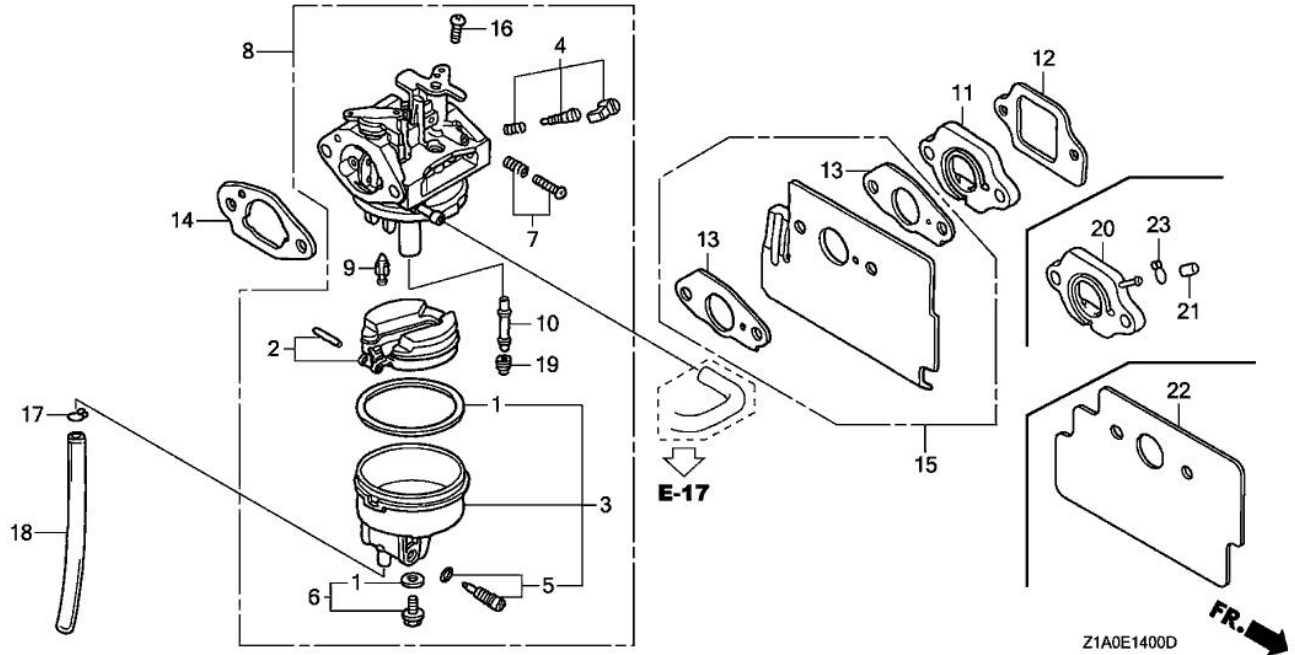


Ref.	Part Number	Part Description	Qty.
001	28400-Z1A-013ZA	STARTER ASSY., RECOIL *NH1*(BLACK)	001
001	28400-Z1A-013ZB	STARTER ASSY., RECOIL *R280*(POWER RED)	001
002	28461-ZL8-003	GRIP, STARTER	001
003	28462-ZL8-003	ROPE, RECOIL STARTER	001

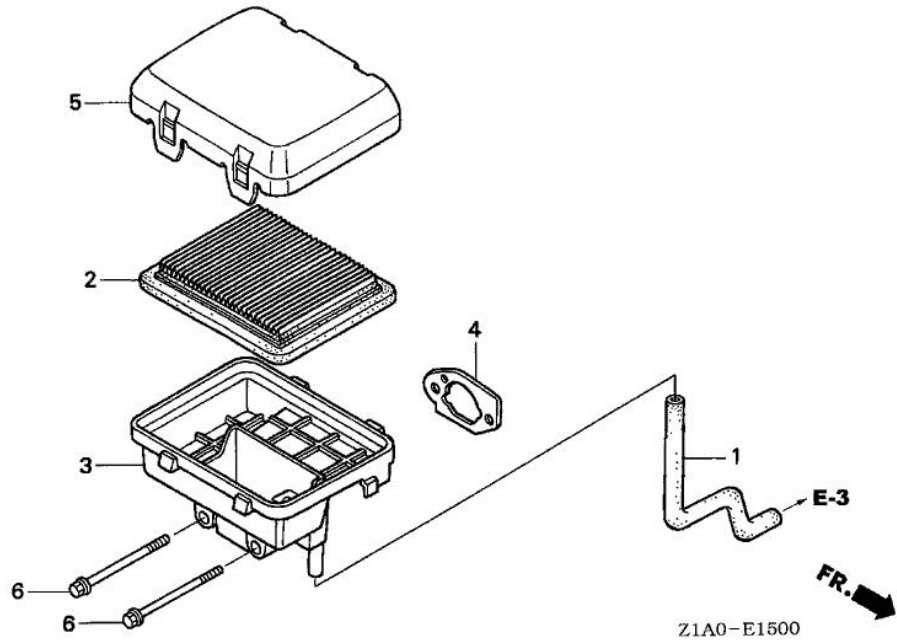


Z1A0E1200C

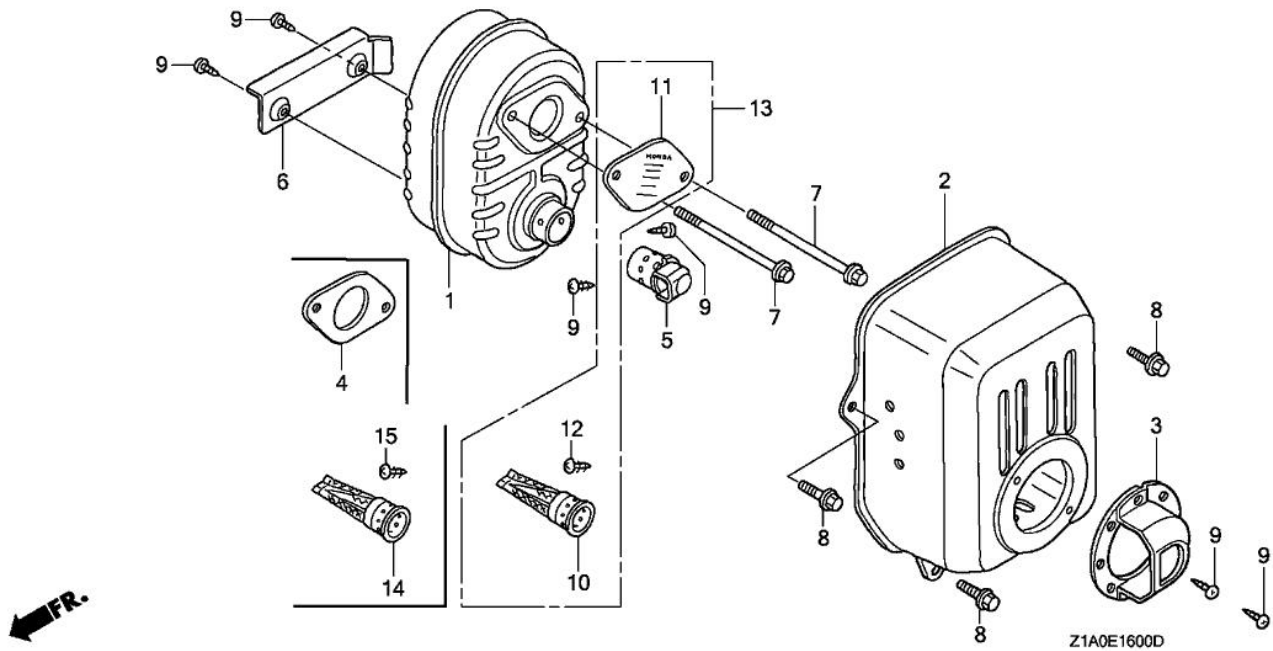
Ref.	Part Number	Part Description	Qty.
001	19611-Z1A-000ZA	COVER, FAN *NH1*(BLACK)	001
001	19611-Z1A-000ZB	COVER, FAN *R280*(POWER RED)	001
002	90043-ZL8-000	BOLT, STUD (H=42.5MM)	002
003	90201-ZM0-000	NUT, FLANGE (6MM)	003
004	19619-ZL8-300	COLLAR, FAN COVER	003
005	90043-ZL8-000	BOLT, STUD (H=42.5MM)	001



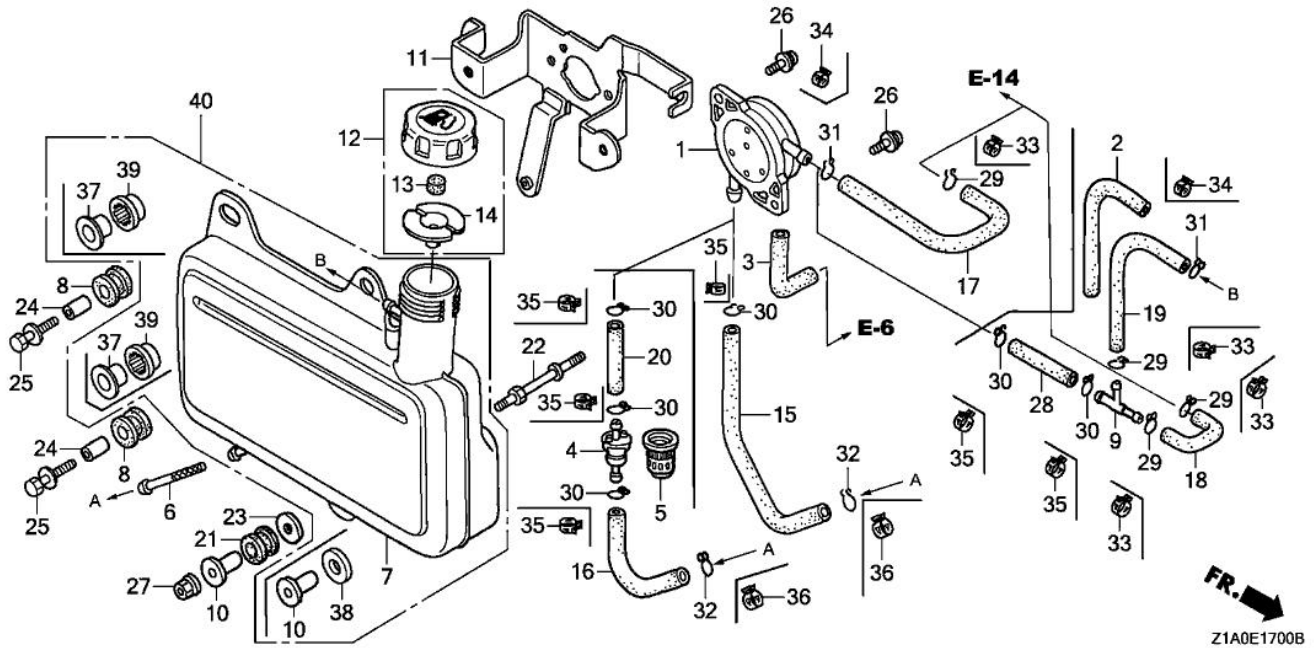
Ref.	Part Number	Part Description	Qty.
001	16010-883-015	GASKET SET	001
002	16013-ZL1-003	FLOAT SET	001
003	16015-ZL8-003	CHAMBER SET, FLOAT	001
004	16016-Z1A-003	SCREW SET (CARBURETOR NO.)	001
005	16024-124-760	SCREW SET, DRAIN	001
006	16028-ZE0-005	SCREW SET	001
006	16028-ZK7-S91	SCREW SET	001
007	16029-ZG0-901	SCREW SET (THROTTLE STOP) (CARBURETOR NO.)	001
008	16100-Z1A-801	CARBURETOR ASSY. (BB61K A)	001
008	16100-Z1A-802	CARBURETOR ASSY. (BB61K B)	001
009	16155-ZL8-003	VALVE, FLOAT (CARBURETOR NO.)	001
009	16155-ZL8-013	VALVE, FLOAT (CARBURETOR NO.)	001
010	16166-Z1A-003	NOZZLE, MAIN	001
011	16211-ZL8-000	INSULATOR, CARBURETOR	001
012	16212-ZL8-000	GASKET, INSULATOR	001
013	16221-883-800	GASKET, CARBURETOR	002
014	16228-ZL8-000	GASKET, CARBURETOR	001
015	19650-ZL8-000	GUIDE, AIR	001
016	93500-05006-0H	SCREW, PAN (5X6)	001
017	95002-02650	CLIP, TUBE (B6.5)	001
018	95003-07008-60M	BULK HOSE, VINYL (4X7X8000) OEM CUT SIZE: (4X7X150)	001
019	99101-124-0620	JET, MAIN (#62)	(1)
019	99101-124-0650	JET, MAIN (#65)	(1)
019	99101-124-0680	JET, MAIN (#68)	001



Ref.	Part Number	Part Description	Qty.
001	15721-ZL8-000	TUBE, BREATHER	001
002	17211-ZL8-023	ELEMENT, AIR CLEANER (TOYO ROKI)	001
003	17220-ZL8-000	HOUSING, AIR CLEANER	001
003	17220-ZL8-010	HOUSING, AIR CLEANER	001
003	17220-ZL8-020	HOUSING, AIR CLEANER	001
004	17228-ZL8-000	GASKET, AIR CLEANER	001
005	17231-Z0J-040	COVER, AIR CLEANER	001
006	90003-ZL8-000	BOLT, FLANGE (6X112) (CT200)	002

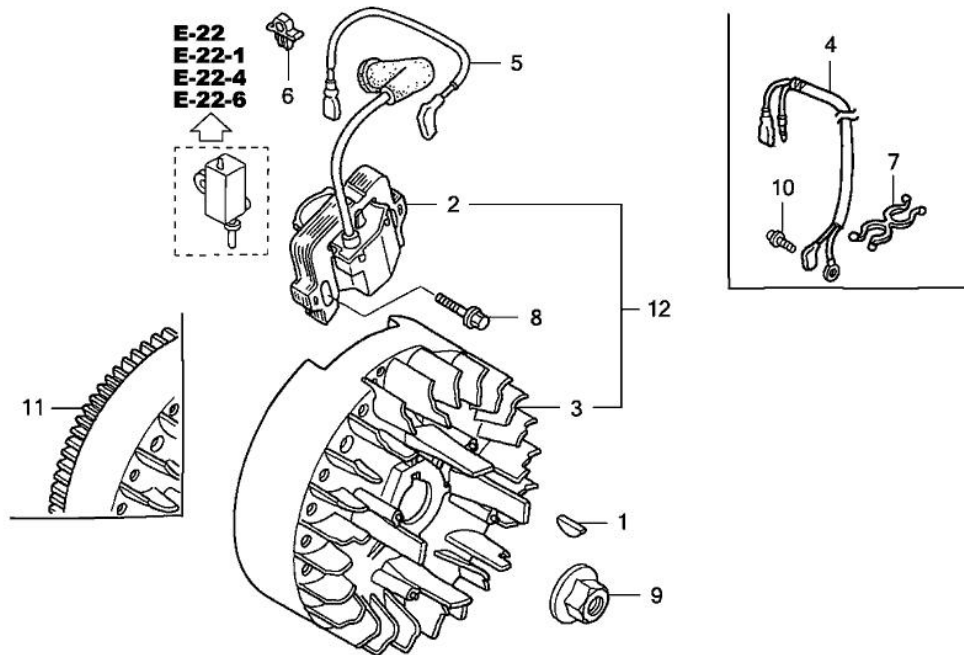


Ref.	Part Number	Part Description	Qty.
001	18310-ZL8-010	MUFFLER	001
002	18321-Z0L-010	PROTECTOR, MUFFLER	001
004	18381-ZL8-305	GASKET, MUFFLER	(1)
006	19664-ZL8-000	SHROUD, MUFFLER	001
007	90004-ZL8-000	BOLT, FLANGE (6X79) (CT200)	002
008	90013-883-000	BOLT, FLANGE (6X12) (CT200)	003
009	90055-ZE1-000	SCREW, TAPPING (4X6)	002
010	18350-ZL8-000	ARRESTER, SPARK	(1)
011	18356-ZL8-000	PLATE, ARRESTER NUMBER	(1)
012	90055-ZE1-000	SCREW, TAPPING (4X6)	(1)
013	06180-Z0J-000	ARRESTER KIT, SPARK	(1)



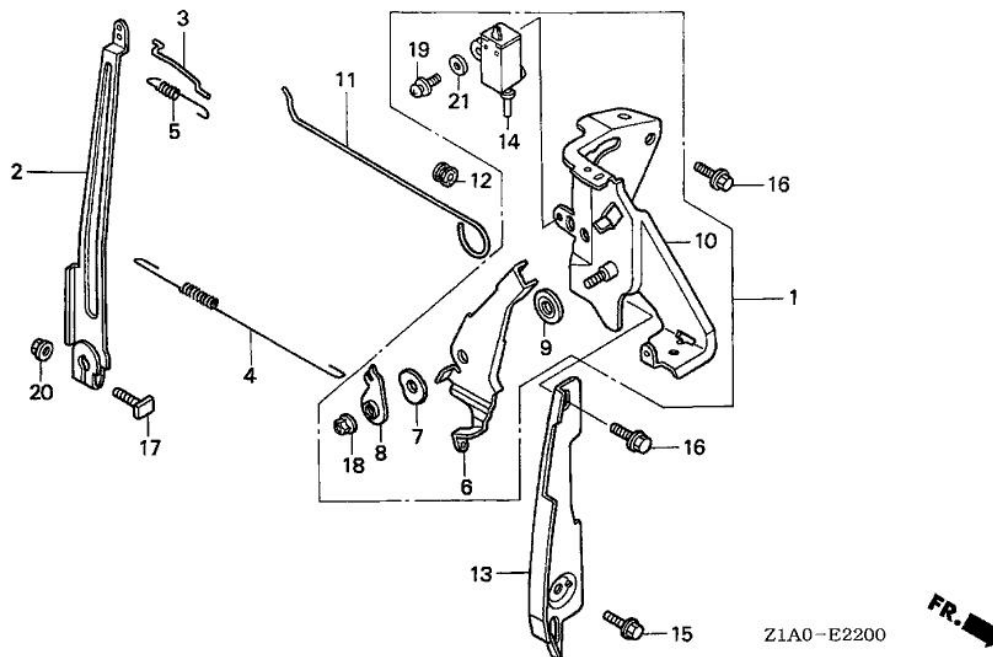
Z1A0E1700B

Ref.	Part Number	Part Description	Qty.
001	16700-Z0J-003	PUMP ASSY., FUEL	001
003	16882-ZL8-000	TUBE, DIAPHRAGM	001
006	16952-ZA8-800	FILTER, FUEL	001
007	17511-ZL8-000	TANK, FUEL	001
008	17516-ZV0-000	RUBBER B, TANK MOUNTING	002
010	17535-KE7-000	COLLAR, FUEL TANK SETTING	001
011	17561-Z0J-000	STAY A, FUEL TANK	001
012	17620-ZL8-013	CAP ASSY., FUEL TANK	001
012	17620-ZL8-023	CAP ASSY., FUEL TANK	001
013	17622-ZL8-003	SPONGE, FUEL CAP BREATHER	001
014	17624-ZL8-013	GASKET, FUEL CAP	001
015	17701-ZL8-000	TUBE, FUEL TANK	001
017	17702-ZL8-000	TUBE, FUEL	001
021	80103-MG2-000	CUSHION, RR. FENDER	001
022	90041-ZL8-000	BOLT, FUEL TANK STUD (H=30MM)	001
023	90473-896-000	WASHER (6MM)	001
024	90501-KA2-640	COLLAR (14X6.1)	002
025	93404-06025-00	BOLT-WASHER (6X25)	002
026	93894-05014-00	SCREW-WASHER (5X14)	002
027	94050-06000	NUT, FLANGE (6MM)	001
029	95002-02080	CLIP, TUBE (B8)	001
030	95002-02100	CLIP, TUBE (B10)	001
031	95002-50000	CLIP, TUBE (C9)	001
032	95002-70000	CLIP, TUBE (C11)	001
033	95002-40800-08	CLAMP, TUBE (D8)	001
034	95002-40850-08	CLAMP, TUBE (D8.5)	001
035	95002-41000-08	CLAMP, TUBE (D10)	001
036	95002-41200-08	CLAMP, TUBE (D12)	001

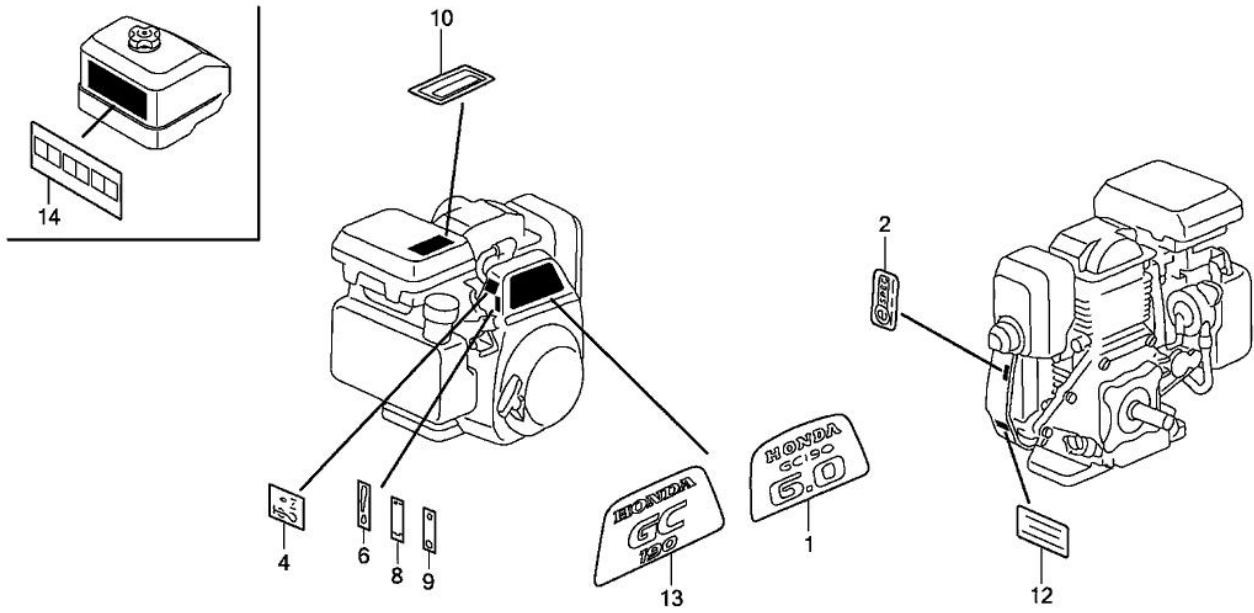


Z1A0E1900D

Ref.	Part Number	Part Description	Qty.
001	13331-357-000	KEY, SPECIAL WOODRUFF (25X18)	001
002	30500-Z0J-003	COIL ASSY., IGNITION (PHELON) (USE FOR F/W OF PHELON)	001
002	30500-Z8B-901	COIL ASSY., IGNITION (PHELON)	001
003	31110-Z0J-013	FLYWHEEL COMP. (PHELON) (USE FOR IGN. COIL OF PHELON)	...
005	32195-Z0J-000	WIRE, STOP SWITCH	001
006	36103-ZE1-000	HOLDER, STOP SWITCH WIRE	001
008	90022-888-010	BOLT, FLANGE (6X20) (CT200)	001
009	90213-S3Y-000	NUT, FLANGE (14MM)	001



Ref.	Part Number	Part Description	Qty.
001	16500-ZL8-000	CONTROL ASSY.	001
002	16551-ZL8-000	ARM, GOVERNOR	001
002	16551-ZL8-010	ARM, GOVERNOR	001
003	16555-ZL8-000	ROD, GOVERNOR	001
004	16561-Z0J-000	SPRING, GOVERNOR	001
005	16562-ZL8-800	SPRING, THROTTLE RETURN	001
006	16571-ZL8-000	LEVER, CONTROL	001
007	16574-ZE1-000	SPRING, LEVER	001
008	16575-ZL8-000	WASHER, CONTROL LEVER	001
009	16578-ZE1-000	SPACER, CONTROL LEVER	001
010	16580-ZL8-000	BASE, CONTROL	001
011	16611-ZL8-000	ROD, CHOKE CONTROL	001
012	16613-893-000	GROMMET, CHOKE ROD	001
013	19612-Z0L-000	PLATE, SIDE	001
014	35120-ZL8-003	SWITCH ASSY., ENGINE STOP (N.O)	001
015	90013-883-000	BOLT, FLANGE (6X12) (CT200)	001
016	90014-952-000	BOLT, FLANGE (6X14) (CT200)	002
017	90015-ZE5-010	BOLT, GOVERNOR ARM	001
018	90114-SA0-000	NUT, SELF-LOCK (6MM)	001
019	93892-04012-00	SCREW-WASHER (4X12)	001
020	94050-06000	NUT, FLANGE (6MM)	001
021	94103-04000	WASHER, PLAIN (4MM)	001



Z1A0E2800G

Ref.	Part Number	Part Description	Qty.
001	87101-Z1A-010	MARK, EMBLEM (GC190)	001
004	87528-ZL8-000	MARK, CHOKE	001
006	87532-ZL8-800	MARK, THROTTLE INDICATION	001
012	87114-ZH7-821	LABEL, WARNING (NOT CERTIFIED FOR SALE)	(NOT CERTI... 001