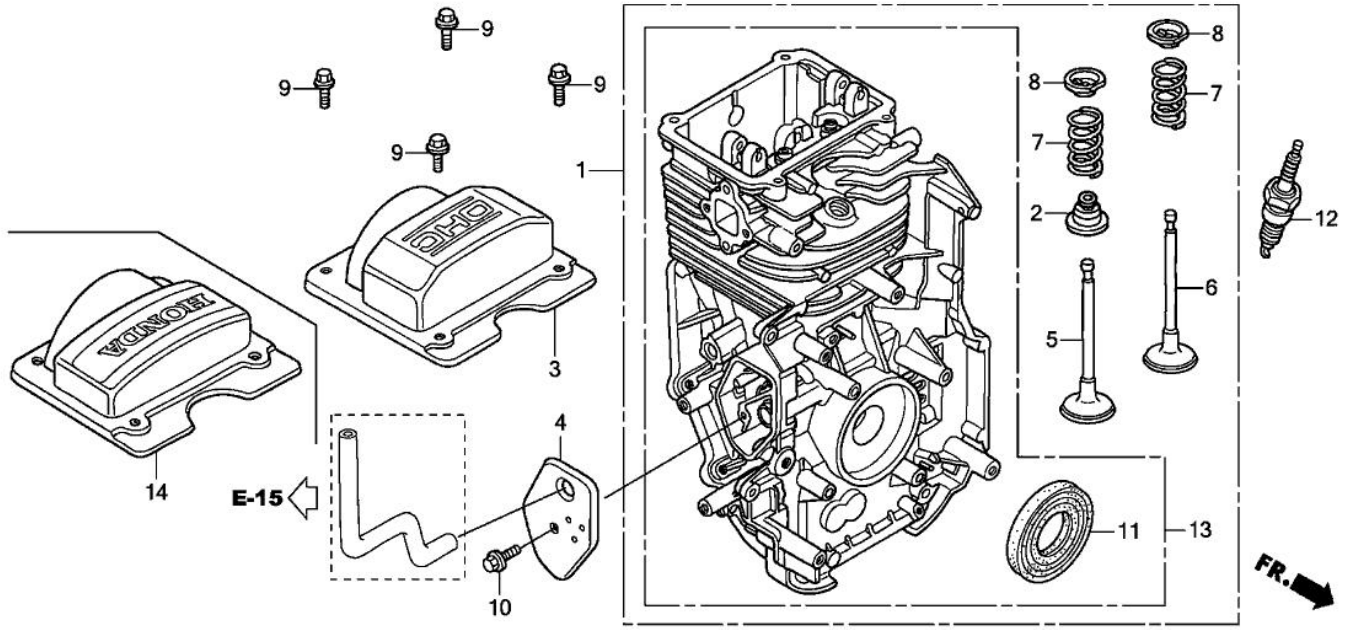


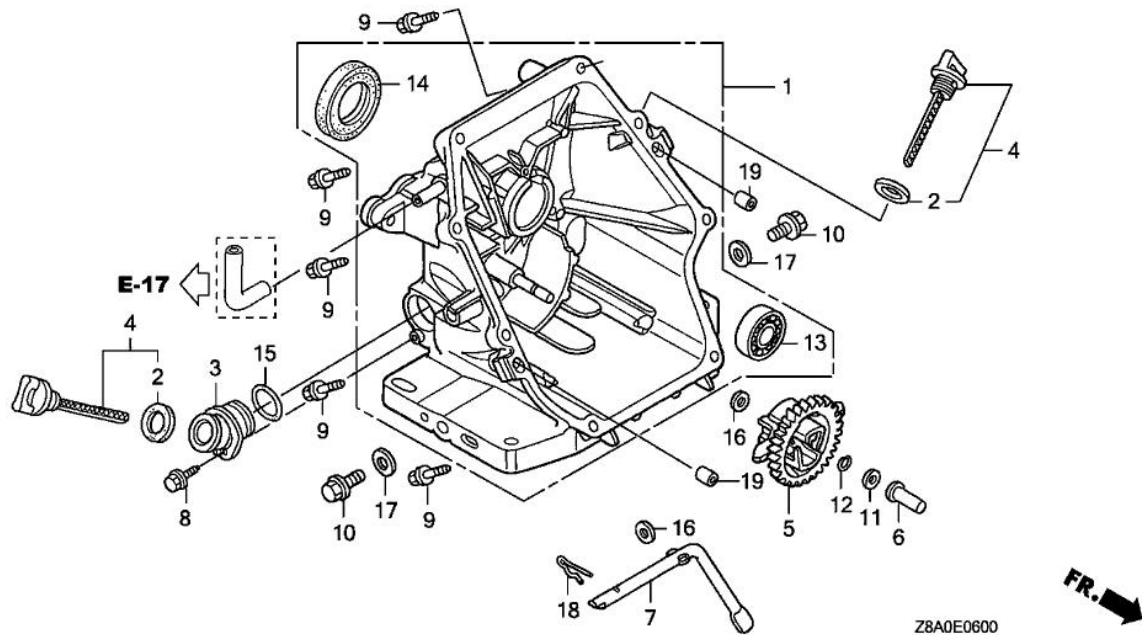
TRU-POWER, INC.

Model Name	GC160LA	Product Line	GENERAL PURPOSE ENGINE
Mfg		Type	QBC
Section	ENGINE	Illustration	CYLINDER BARREL

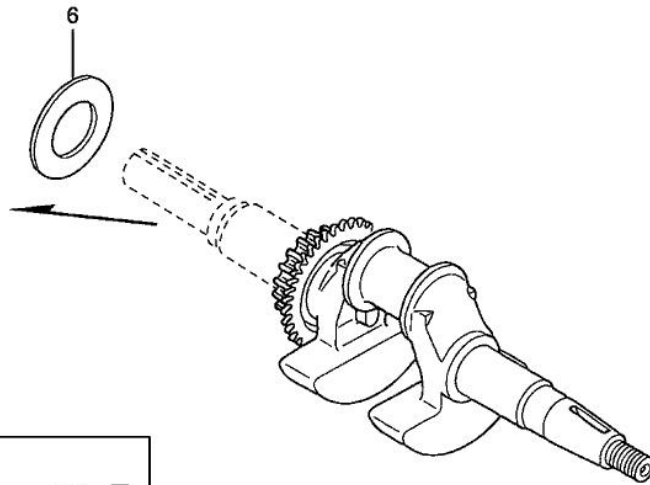
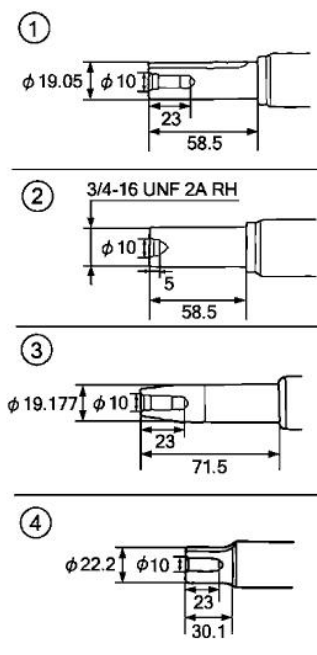


Z8A0E0300C

Ref.	Part Number	Part Description	Qty.
001	12000-Z0L-505	BARREL COMP,CYLN	001
002	12209-ZM0-003	SEAL, VALVE STEM	001
003	12310-Z0J-000	COVER, CYLINDER HEAD	001
003	12310-Z8A-000	COVER, CYLINDER HEAD	001
004	12355-ZL8-000	COVER, BREATHER (BREATHER VALVE ASSY.)	001
005	14711-Z0J-000	VALVE, IN. (ROCKNEL)	001
006	14721-ZL8-000	VALVE, EX. (L8E)	001
006	14721-Z8B-000	VALVE, EX. (C8E)	001
007	14751-ZL8-000	SPRING, VALVE	002
008	14771-Z0J-000	RETAINER, VALVE SPRING	002
009	90013-883-000	BOLT, FLANGE (6X12) (CT200)	004
010	90014-952-000	BOLT, FLANGE (6X14) (CT200)	001
011	91201-ZL8-003	OIL SEAL (25.4X62X6)	001
012	98079-56846	SPARK PLUG (BPR6ES) (NGK)	001
014	12310-Z8A-000	COVER, CYLINDER HEAD	001



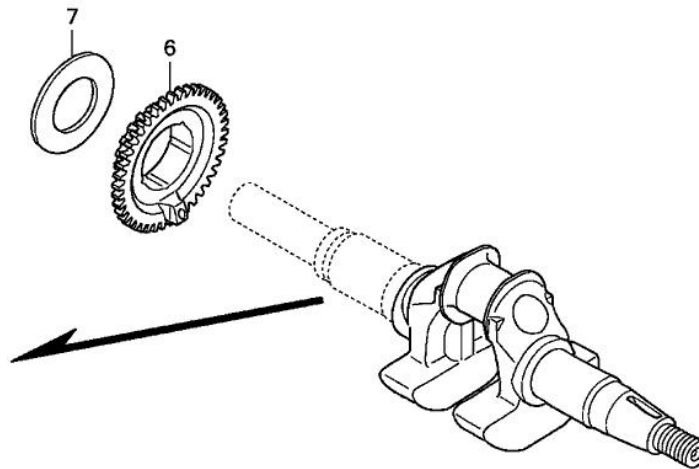
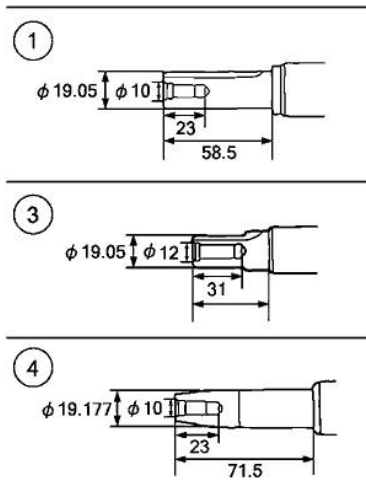
Ref.	Part Number	Part Description	Qty.
001	11300-ZL8-660	COVER ASSY., CRANKCASE (U-TYPE)	001
002	15625-Z2L-801	GASKET, OIL FILLER CAP	001
004	15650-ZL8-013	GAUGE ASSY., OIL LEVEL	001
005	16510-ZL8-000	GOVERNOR ASSY.	001
006	16531-ZE1-000	SLIDER, GOVERNOR	001
007	16541-ZL8-000	SHAFT, GOVERNOR ARM	001
009	90121-952-000	BOLT, FLANGE (6X25) (CT200)	008
010	90131-896-650	BOLT, DRAIN PLUG (12X15)	002
011	90451-ZE1-000	WASHER, THRUST (6MM)	001
012	90602-ZE1-000	CLIP, GOVERNOR HOLDER	001
013	91001-ZL8-003	BEARING, RADIAL BALL (62/28)	001
014	91202-ZL8-003	OIL SEAL (28X41.25X6)	001
016	94101-06800	WASHER, PLAIN (6MM)	002
017	94109-12000	WASHER, DRAIN PLUG (12MM)	002
018	94251-08000	PIN, LOCK (8MM)	001
019	94301-08200	PIN, DOWEL (8X20)	002



Z8A0E0700

FR. →

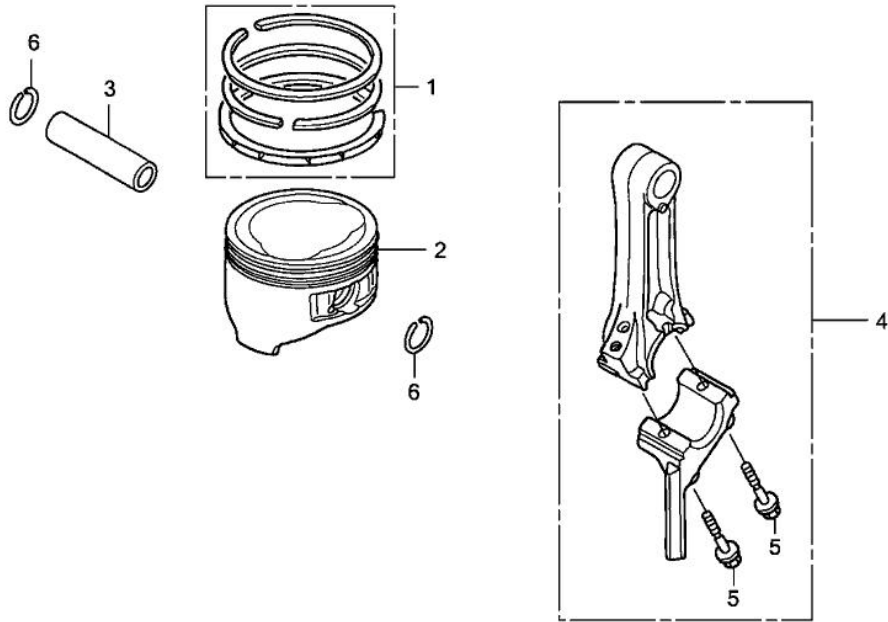
Ref.	Part Number	Part Description	Qty.
001	06131-Z8A-W00	CRANKSHAFT KIT	001
006	90402-ZL8-000	WASHER, THRUST	001



FR. →

Z8A0E0701A

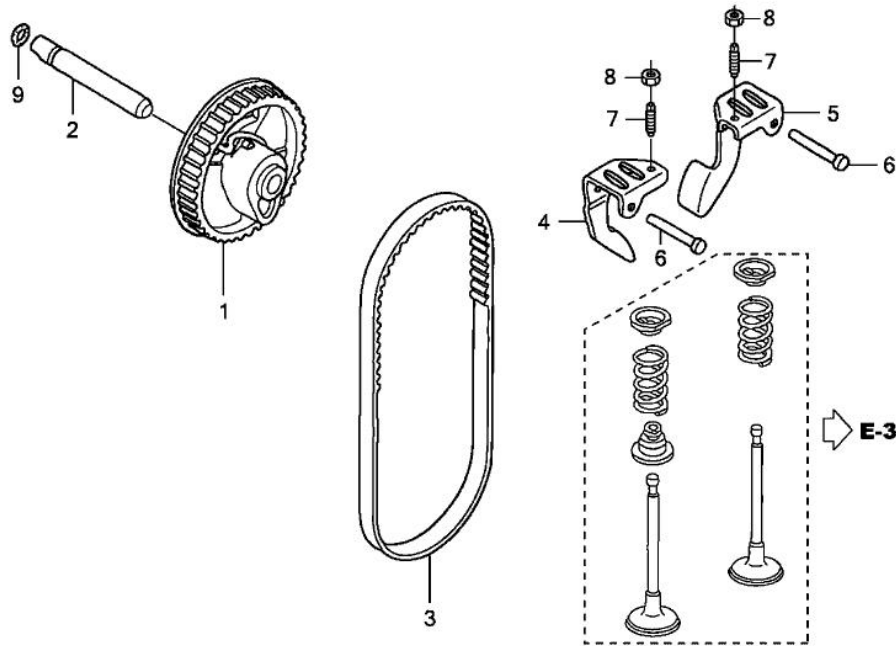
Ref.	Part Number	Part Description	Qty.
001	13311-Z8A-900	CRANKSHAFT	001
006	13621-Z8B-900	PULLEY, TIMING BELT DRIVE	001
007	90402-ZL8-000	WASHER, THRUST	001



Z8A0E0800

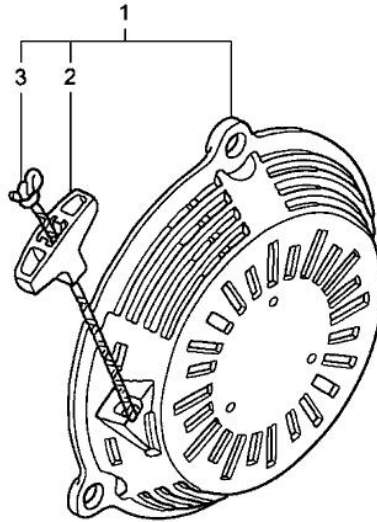
FR. →

Ref.	Part Number	Part Description	Qty.
001	13010-Z0L-014	RING SET, PISTON (STD) (TEIKOKU)	001
002	13101-Z8B-820	PISTON	001
003	13111-ZE0-000	PIN, PISTON	001
004	13200-Z0J-000	ROD ASSY., CONNECTING	001
005	90001-ZE1-000	BOLT, CONNECTING ROD	002
006	90551-ZE0-000	CLIP, PISTON PIN (13MM)	002



Z8A0E0900

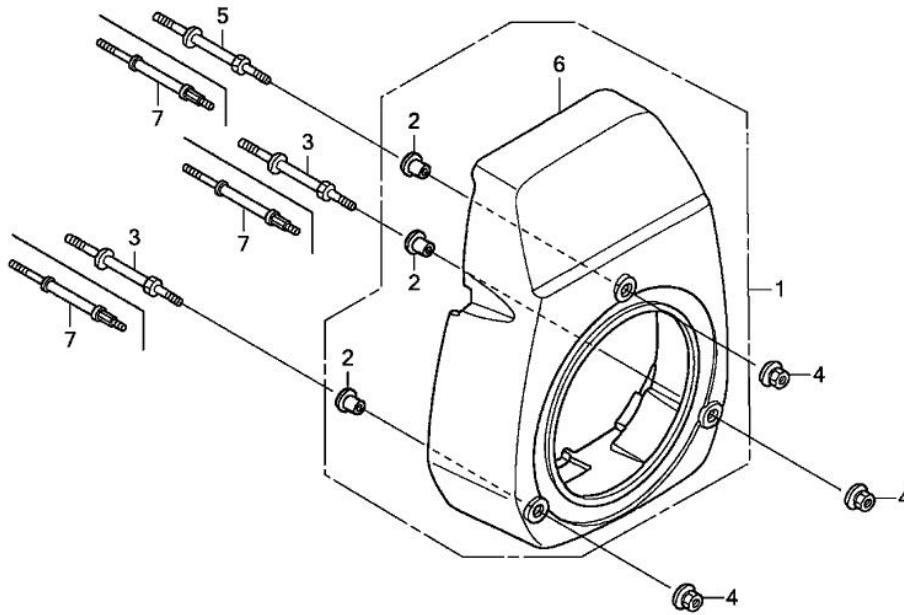
Ref.	Part Number	Part Description	Qty.
001	14320-ZL8-010	PULLEY, CAMSHAFT	001
002	14324-ZL8-000	SHAFT, CAM PULLEY	001
003	14400-Z0J-014	BELT, TIMING (84HU7 G-200)	001
003	14400-Z8B-003	BELT, TIMING (84HU6 G-200)	001
004	14431-Z0J-000	ARM, IN. VALVE ROCKER	001
005	14441-Z0J-000	ARM, EX. VALVE ROCKER	001
006	14461-ZL8-000	SHAFT, ROCKER ARM	002
007	90012-333-000	SCREW, TAPPET ADJUSTING	002
008	90206-001-000	NUT, TAPPET ADJUSTING	002
009	91301-ZM0-V31	O-RING (6.8X1.9) (ARAI)	001



Z8A0E1100



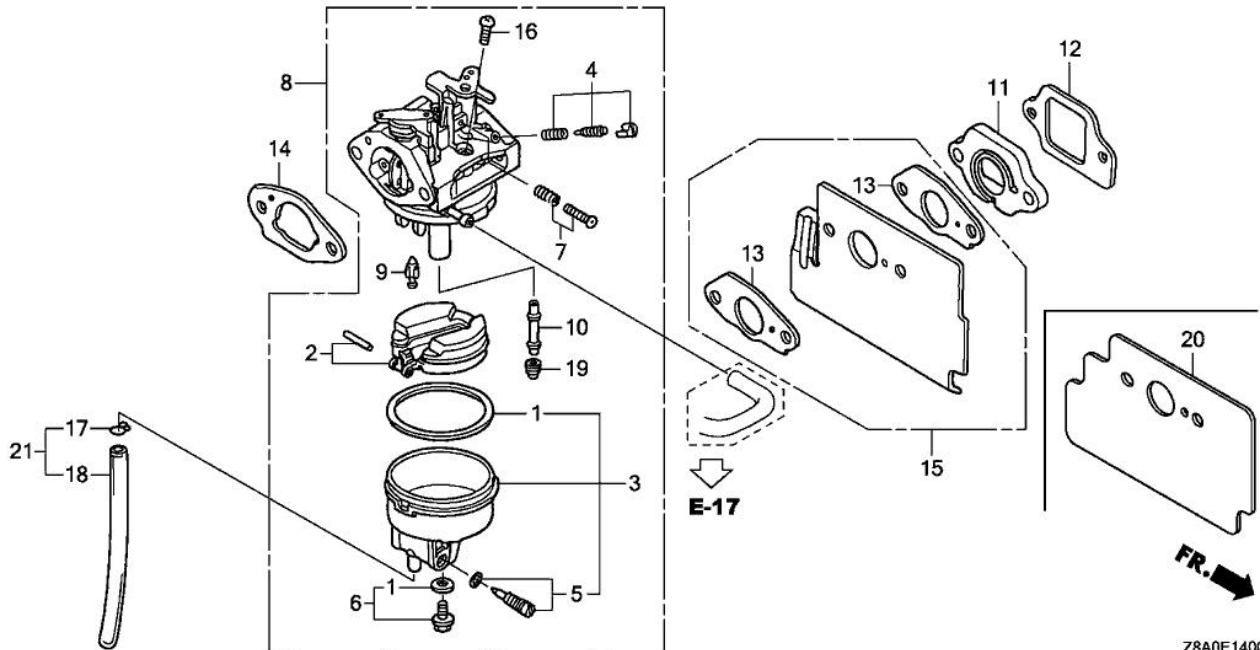
Ref.	Part Number	Part Description	Qty.
001	28400-ZL8-023ZA	STARTER ASSY., RECOIL *NH1*(BLACK)	001
001	28400-Z8A-003ZC	STARTER ASSY., RECOIL *NH1* (SHORT ROPE)(BLACK)	001
002	28461-ZL8-003	GRIP, STARTER	001
003	28462-ZL8-003	ROPE, RECOIL STARTER	001



FR. →

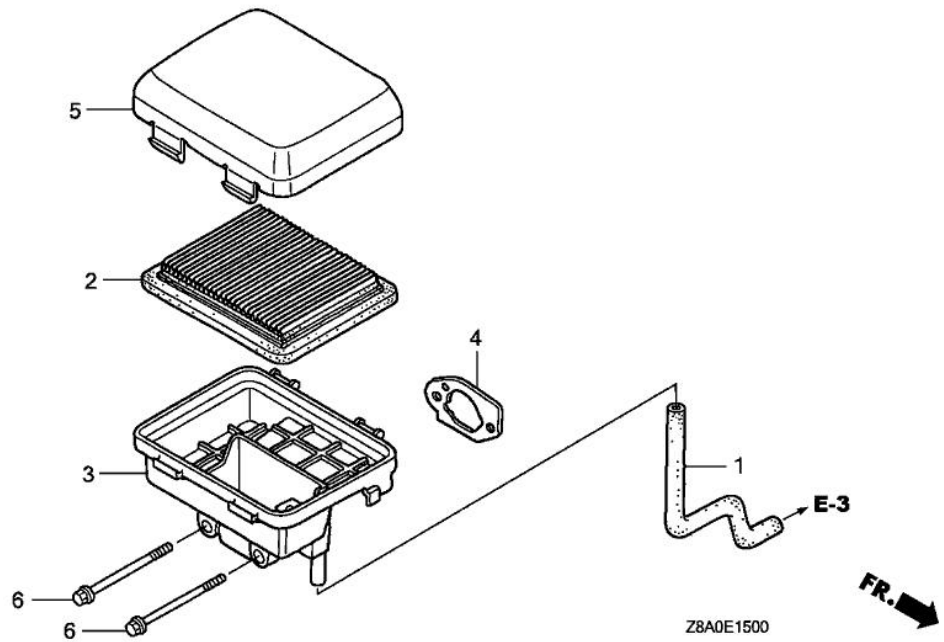
Z8A0E1200B

Ref.	Part Number	Part Description	Qty.
001	19611-ZL8-000ZA	COVER, FAN *NH1*(BLACK)	001
001	19611-Z0J-900ZA	COVER, FAN *NH1*(BLACK)	001
002	19619-ZL8-300	COLLAR, FAN COVER	003
003	90043-ZL8-000	BOLT, STUD (H=42.5MM)	002
004	90201-ZM0-000	NUT, FLANGE (6MM)	003
005	90043-Z0J-900	BOLT, STUD (H=39.5MM)	001
005	90043-ZL8-000	BOLT, STUD (H=42.5MM)	001

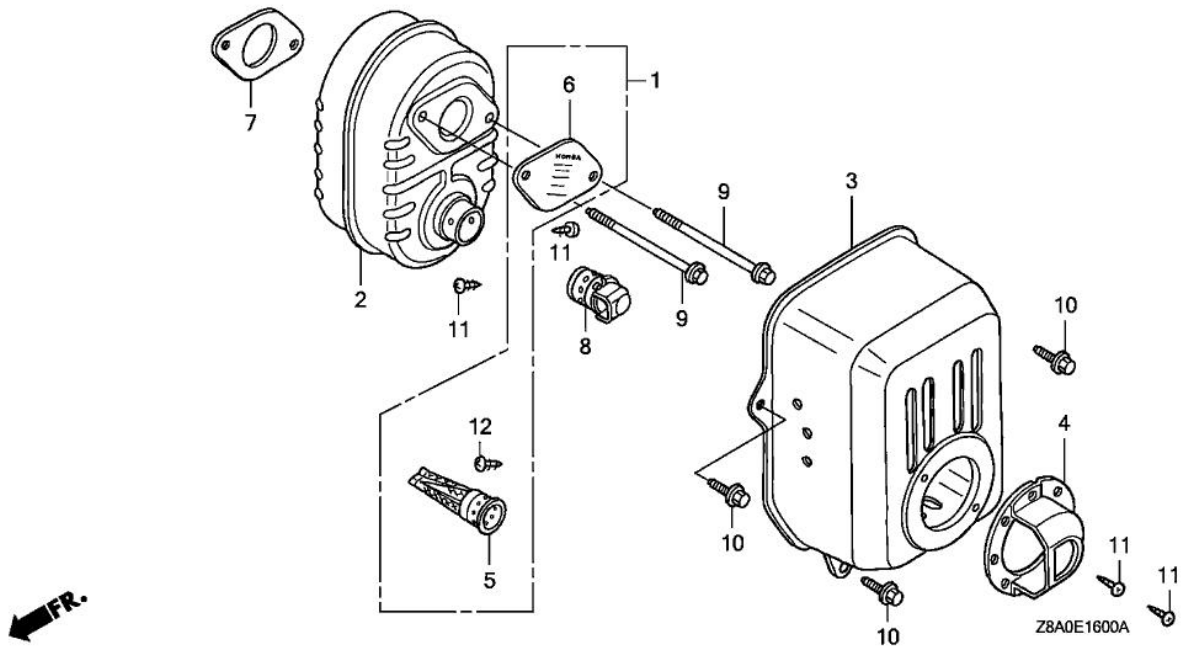


Z8A0E1400B

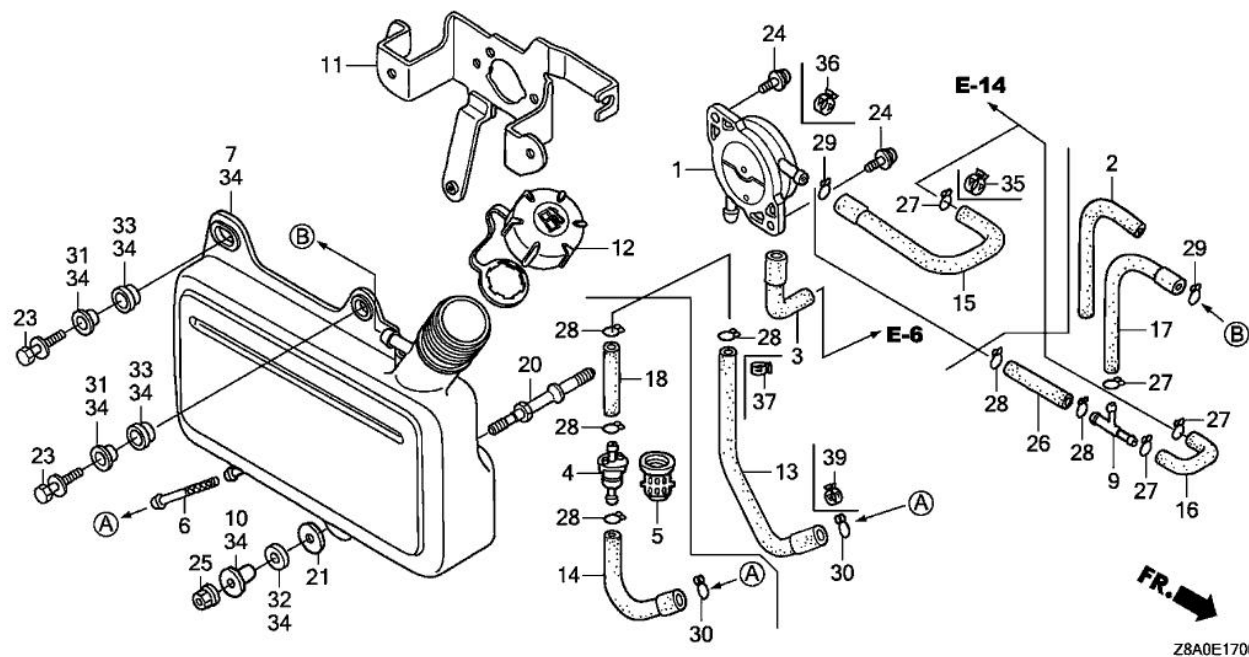
Ref.	Part Number	Part Description	Qty.
001	16010-883-015	GASKET SET	001
002	16013-ZL1-003	FLOAT SET	001
003	16015-ZL8-003	CHAMBER SET, FLOAT	001
004	16016-ZG0-W00	SCREW SET (CARBURETOR NO.)	001
005	16024-124-760	SCREW SET, DRAIN	001
006	16028-ZE0-005	SCREW SET	001
006	16028-ZK7-S91	SCREW SET	001
007	16029-ZG0-901	SCREW SET (THROTTLE STOP) (CARBURETOR NO.)	001
008	16100-Z0J-003	CARBURETOR ASSY. (BB61J A)	001
008	16100-Z0J-013	CARBURETOR ASSY. (BB61J B)	001
009	16155-ZL8-013	VALVE, FLOAT	001
010	16166-ZL8-003	NOZZLE, MAIN	001
011	16211-ZL8-000	INSULATOR, CARBURETOR	001
011	16211-Z8B-000	INSULATOR, CARBURETOR	001
012	16212-ZL8-000	GASKET, INSULATOR	001
013	16221-883-800	GASKET, CARBURETOR	002
014	16228-ZL8-000	GASKET, CARBURETOR	001
015	19650-ZL8-000	GUIDE, AIR	001
016	93500-05006-0H	SCREW, PAN (5X6)	001
017	95002-02650	CLIP, TUBE (B6.5)	001
018	95003-07008-60M	BULK HOSE, VINYL (4X7X8000) OEM CUT SIZE: (4X7X150)	001
019	99101-124-0600	JET, MAIN (#60)	(1)
019	99101-124-0620	JET, MAIN (#62)	(1)
019	99101-124-0650	JET, MAIN (#65)	001
020	19651-Z0J-000	GUIDE, AIR	001



Ref.	Part Number	Part Description	Qty.
001	15721-ZL8-000	TUBE, BREATHER	001
002	17211-ZL8-023	ELEMENT, AIR CLEANER (TOYO ROKI)	001
003	17220-ZL8-000	HOUSING, AIR CLEANER	001
003	17220-ZL8-010	HOUSING, AIR CLEANER	001
003	17220-ZL8-020	HOUSING, AIR CLEANER	001
004	17228-ZL8-000	GASKET, AIR CLEANER	001
004	17228-Z8A-000	GASKET, AIR CLEANER	001
005	17231-Z0J-040	COVER, AIR CLEANER	001
006	90003-ZL8-000	BOLT, FLANGE (6X112) (CT200)	002

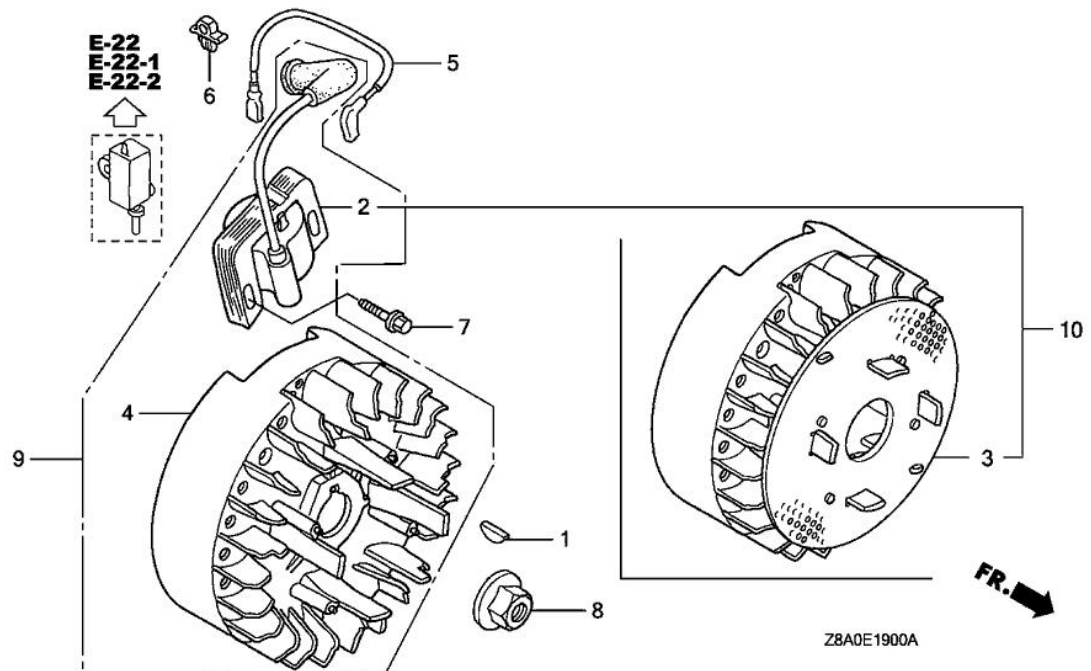


Ref.	Part Number	Part Description	Qty.
001	06180-Z0J-000	ARRESTER KIT, SPARK	(1)
002	18310-Z0Y-000	MUFFLER	001
003	18321-Z0L-010	PROTECTOR, MUFFLER	001
005	18350-ZL8-000	ARRESTER, SPARK	(1)
006	18356-ZL8-000	PLATE, ARRESTER NUMBER	(1)
007	18381-ZL8-305	GASKET, MUFFLER	(1)
009	90004-ZL8-000	BOLT, FLANGE (6X79) (CT200)	002
010	90013-883-000	BOLT, FLANGE (6X12) (CT200)	003
012	90055-ZE1-000	SCREW, TAPPING (4X6)	(1)

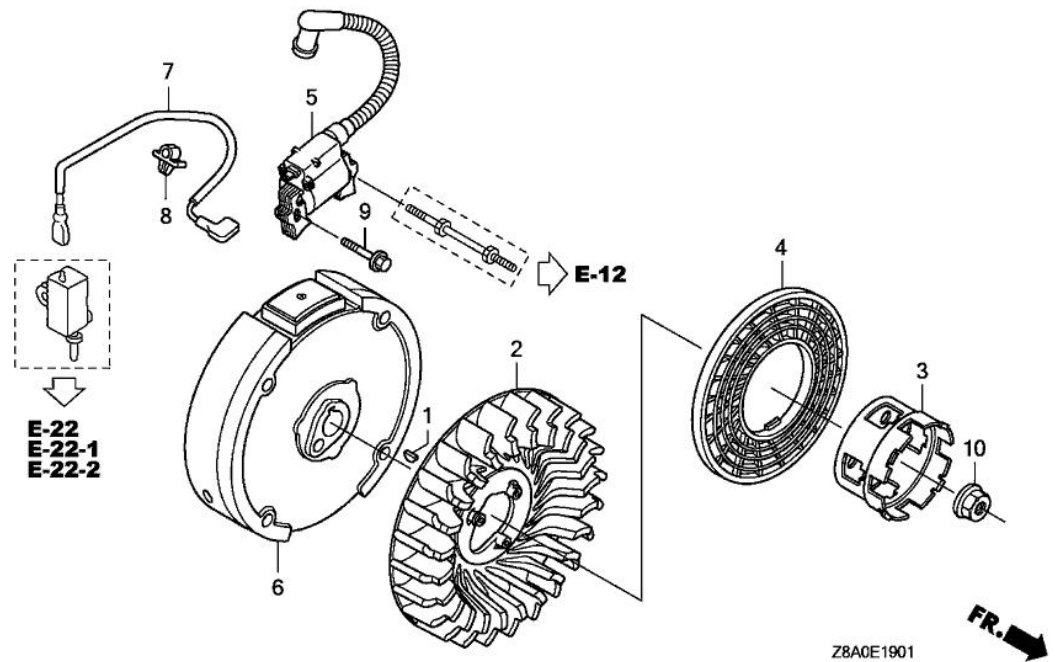


Z8A0E1700C

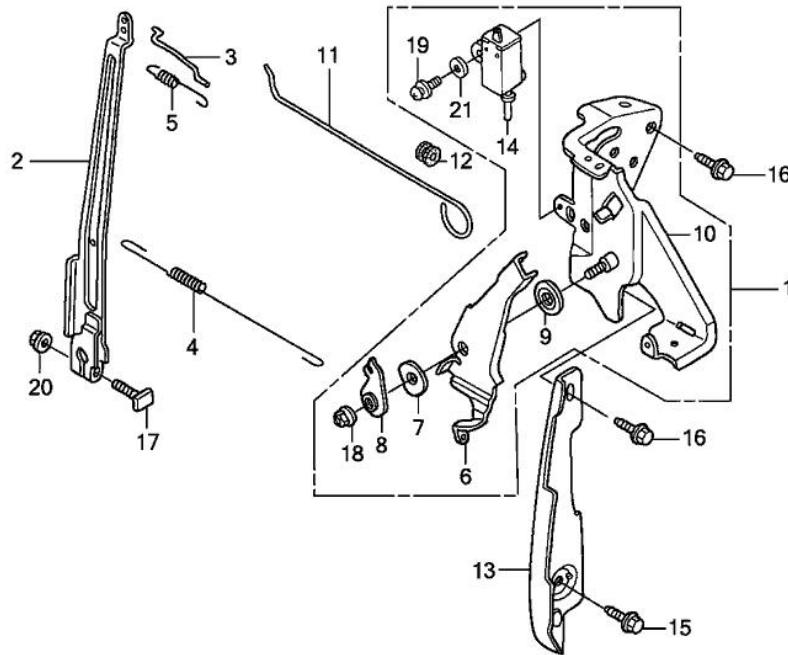
Ref.	Part Number	Part Description	Qty.
001	16700-Z0J-003	PUMP ASSY., FUEL	001
003	16882-ZL8-000	TUBE, DIAPHRAGM	001
006	16952-ZA8-800	FILTER, FUEL	001
007	17511-Z8A-800	TANK, FUEL	001
010	17535-KE7-000	COLLAR, FUEL TANK SETTING	001
011	17561-Z0J-000	STAY A, FUEL TANK	001
012	17620-Z0J-800	CAP ASSY., FUEL TANK	001
013	17701-ZL8-000	TUBE, FUEL TANK	001
013	17701-Z8A-003	TUBE, FUEL TANK (FKM)	(NA USE ALT: 17701-ZL8-000) 001
015	17702-ZL8-000	TUBE, FUEL	001
015	17702-Z8A-003	TUBE, FUEL (FKM)	001
020	90041-ZL8-000	BOLT, FUEL TANK STUD (H=30MM)	001
021	90473-896-000	WASHER (6MM)	001
023	93404-06025-00	BOLT-WASHER (6X25)	002
024	93894-05014-00	SCREW-WASHER (5X14)	002
025	94050-06000	NUT, FLANGE (6MM)	001
027	95002-02080	CLIP, TUBE (B8)	001
028	95002-02100	CLIP, TUBE (B10)	001
029	95002-50000	CLIP, TUBE (C9)	001
030	95002-70000	CLIP, TUBE (C11)	001
031	17518-Z8A-800	COLLAR, TANK SET	002
032	17532-Z8A-800	RUBBER A, TANK MOUNTING	001
033	17533-Z8A-800	RUBBER B, TANK MOUNTING	002
034	06175-Z8A-800	TANK KIT, FUEL	001
035	95002-40800-08	CLAMP, TUBE (D8)	001
036	95002-40850-08	CLAMP, TUBE (D8.5)	001
037	95002-41000-08	CLAMP, TUBE (D10)	001
039	95002-41200-08	CLAMP, TUBE (D12)	001



Ref.	Part Number	Part Description	Qty.
001	13331-357-000	KEY, SPECIAL WOODRUFF (25X18)	001
002	30500-Z0J-003	COIL ASSY., IGNITION (PHELON) (USE FOR F/W OF PHELON)	001
002	30500-ZL8-014	COIL ASSY., IGNITION (USE FOR F/W OF TEC) (TEC)	(1)
002	30500-Z8B-901	COIL ASSY., IGNITION (PHELON)	001
004	31110-Z0J-013	FLYWHEEL COMP. (PHELON) (USE FOR IGN. COIL OF PHELON)	...
004	31110-ZL8-004	FLYWHEEL COMP. (TEC) (USE FOR IGN. COIL OF TEC)	(USE... (1)
005	32195-Z0J-000	WIRE, STOP SWITCH	001
006	36103-ZE1-000	HOLDER, STOP SWITCH WIRE	001
006	51125-Z0L-003	HOLDER, WIRE (FASTEX)	001
007	90022-888-010	BOLT, FLANGE (6X20) (CT200)	001
008	90201-878-003	NUT, SPECIAL (14MM)	001
009	06311-Z0J-900	FLYWHEEL KIT	(1)



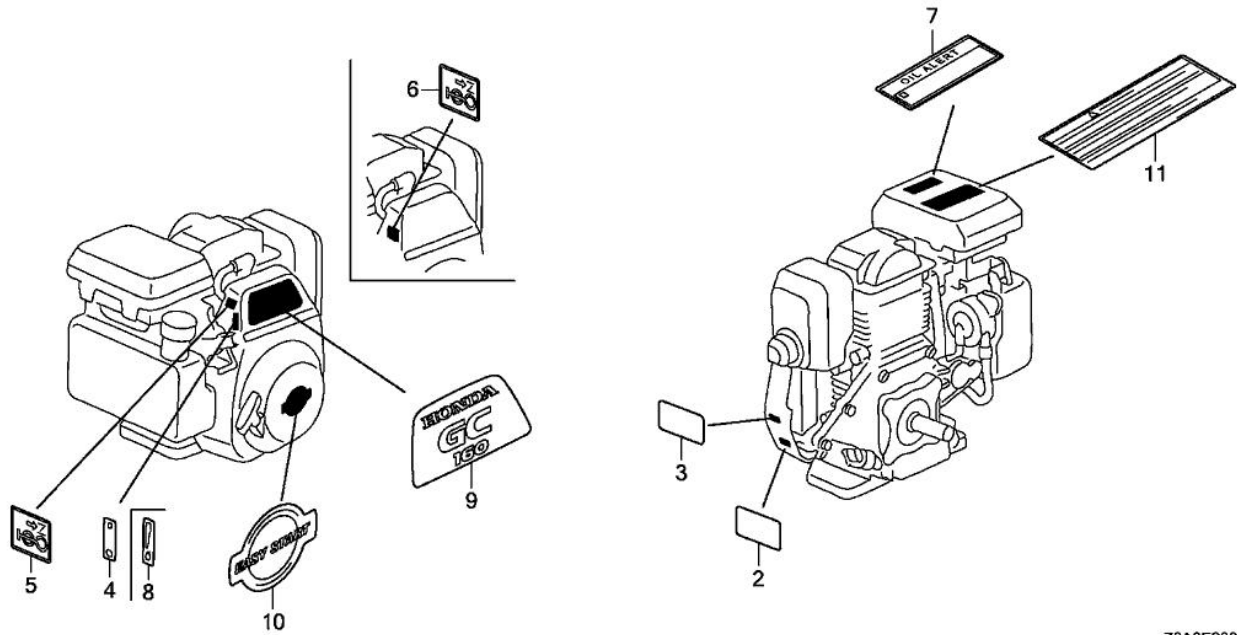
Ref.	Part Number	Part Description	Qty.
001	13331-357-000	KEY, SPECIAL WOODRUFF (25X18)	001
001	13331-Z8B-900	KEY, SPECIAL WOODRUFF (25X18)	001
002	19511-Z0J-900	FAN, COOLING	001
003	28451-Z0J-900	PULLEY, STARTER	001
005	30500-Z0J-004	COIL ASSY., IGNITION (TOYO)	001
006	31110-Z0J-004	FLYWHEEL	001
006	31110-Z0J-004	FLYWHEEL	001
006	31110-Z0J-014	FLYWHEEL	001
006	31110-Z0J-014	FLYWHEEL	001
007	32195-Z0J-900	WIRE, STOP SWITCH	001
008	36103-ZE1-000	HOLDER, STOP SWITCH WIRE	001
008	51125-Z0L-003	HOLDER, WIRE (FASTEX)	001
009	90018-ZE1-000	BOLT, FLANGE (6X23) (CT200)	001
010	90201-Z0T-800	NUT, SPECIAL (14MM)	001



Z8A0E2200



Ref.	Part Number	Part Description	Qty.
001	16500-ZL8-000	CONTROL ASSY.	001
002	16551-ZL8-000	ARM, GOVERNOR	001
002	16551-ZL8-010	ARM, GOVERNOR	001
003	16555-ZL8-000	ROD, GOVERNOR	001
004	16561-ZL8-V50	SPRING, GOVERNOR	001
005	16562-ZL8-800	SPRING, THROTTLE RETURN	001
006	16571-ZL8-000	LEVER, CONTROL	001
007	16574-ZE1-000	SPRING, LEVER	001
008	16575-ZL8-000	WASHER, CONTROL LEVER	001
009	16578-ZE1-000	SPACER, CONTROL LEVER	001
010	16580-ZL8-000	BASE, CONTROL	001
011	16611-ZL8-000	ROD, CHOKE CONTROL	001
012	16613-893-000	GROMMET, CHOKE ROD	001
013	19612-Z0L-000	PLATE, SIDE	001
014	35120-ZL8-003	SWITCH ASSY., ENGINE STOP (N.O)	001
015	90013-883-000	BOLT, FLANGE (6X12) (CT200)	001
016	90014-952-000	BOLT, FLANGE (6X14) (CT200)	002
017	90015-ZE5-010	BOLT, GOVERNOR ARM	001
018	90114-SA0-000	NUT, SELF-LOCK (6MM)	001
019	93892-04012-00	SCREW-WASHER (4X12)	001
020	94050-06000	NUT, FLANGE (6MM)	001
021	94103-04000	WASHER, PLAIN (4MM)	001



Z8A0E2800C

Ref.	Part Number	Part Description	Qty.
002	87114-ZH7-821	LABEL, WARNING (NOT CERTIFIED FOR SALE)	(NOT CERTI... 001
005	87528-ZL8-000	MARK, CHOKE	001
008	87532-ZL8-800	MARK, THROTTLE INDICATION	001
009	87101-ZL8-020	EMBLEM (GC160)	001
010	87169-Z8A-000	MARK, RECOIL COVER	001