

ZL80 - E1100

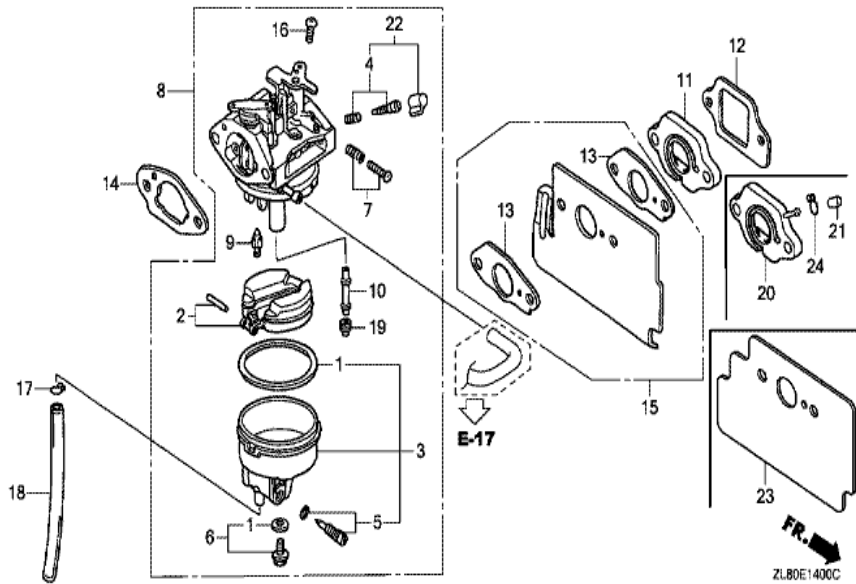


Ref	Partnumber	Description	GC160A	Serial Numbers
001	28400-Z8B-901ZA	STARTER ASSY., RECOIL (LONG ROPE) *NH1*	1	
002	28461-ZL8-003	GRIP, STARTER	1	
003	28462-ZL8-V71	ROPE, RECOIL STARTER (LONG TYPE)	1	

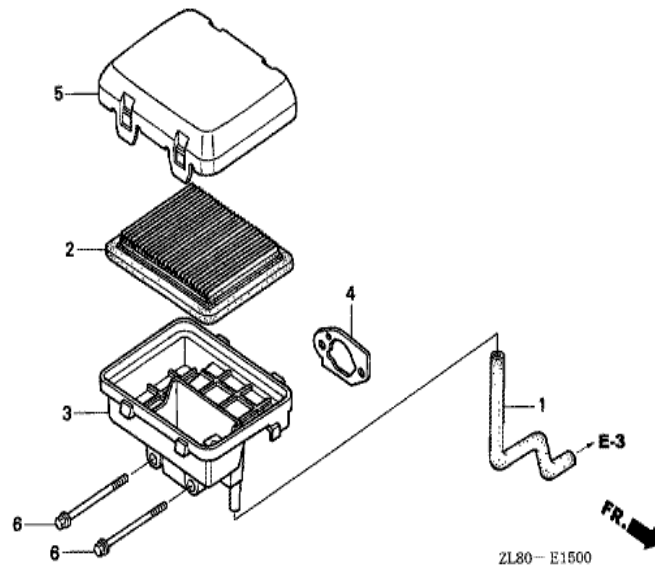


ZL80E1200D

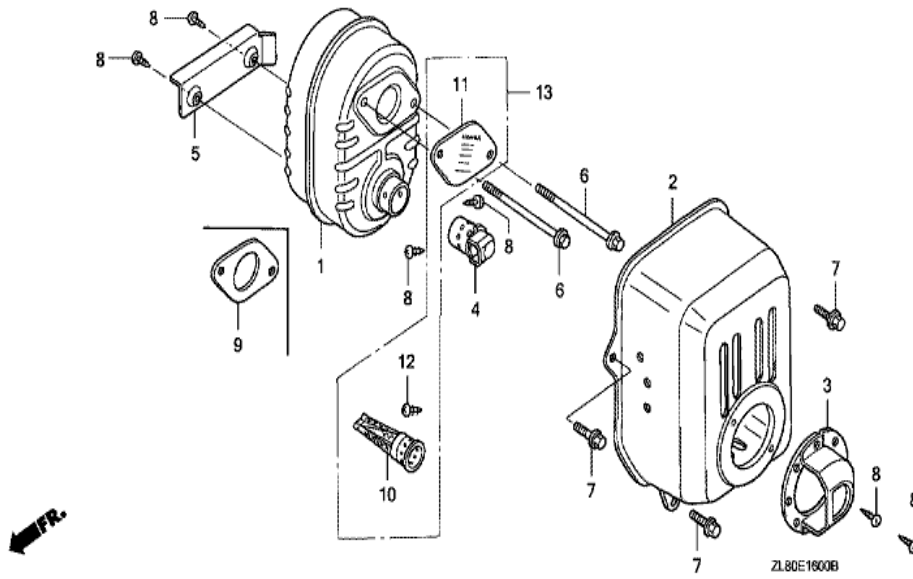
<u>Ref</u>	<u>Partnumber</u>	<u>Description</u>	<u>GC160A</u>	<u>Serial Numbers</u>
003	90201-ZM0-000	NUT, FLANGE, 6MM	3	
006	19611-Z0J-901ZA	COVER, FAN *NH1*	1	
007	90043-Z8D-010	BOLT, STUD (FAN COVER)	3	



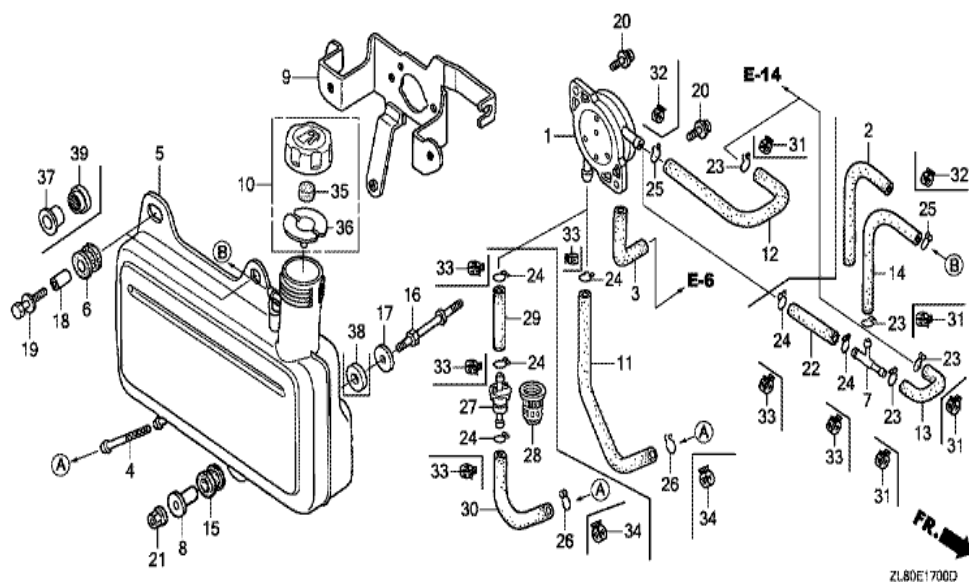
<u>Ref</u>	<u>Partnumber</u>	<u>Description</u>	<u>GC160A</u>	<u>Serial Numbers</u>
001	16010-883-015	PACKING SET	1	
002	16013-ZL1-003	FLOAT SET	1	
003	16015-ZL8-003	CHAMBER SET, FLOAT	1	
005	16024-124-760	SCREW SET, DRAIN	1	
006	16028-ZE0-005	SCREW SET	1	
007	16029-ZG0-901	SCREW SET (THROTTLE STOP)	1	
008	16100-Z8A-003	CARBURETOR ASSY. (BB61T A)	1	
009	16155-ZL8-013	VALVE COMP., FLOAT	1	
010	16166-Z8A-801	NOZZLE, MAIN	1	
011	16211-Z8B-000	INSULATOR, CARBURETOR	1	
012	16212-ZL8-000	PACKING, INSULATOR	1	
014	16228-ZL8-000	PACKING, CARBURETOR	1	
016	93500-050061H	SCREW, PAN, 5X6	1	
<u>Ref</u>	<u>Partnumber</u>	<u>Description</u>	<u>GC160A</u>	<u>Serial Numbers</u>
017	95002-02650	CLIP, TUBE (B6.5)	1	
018	95003-0701531	TUBE, VINYL, 4X7X150 (95003-07001-60M)	1	
019	99101-1240620	JET, MAIN, #62	(1)	
019	99101-1240650	JET, MAIN, #65	(1)	
019	99101-1240680	JET, MAIN, #68	1	
022	16016-ZG0-W00	SCREW SET	1	
023	19651-Z0J-000	GUIDE, AIR	1	



Ref	Partnumber	Description	GC160A	Serial Numbers
001	15721-ZL8-000	TUBE, BREATHER	1	
002	17211-ZL8-023	ELEMENT, AIR CLEANER (TOYO ROKI)	1	
003	17220-ZL8-020	CASE COMP., AIR CLEANER	1	
004	17228-Z8A-000	PACKING, AIR CLEANER	1	
005	17231-Z0J-040	COVER, AIR CLEANER	1	
006	90003-ZL8-000	BOLT, FLANGE, 6X112 (CT200)	2	

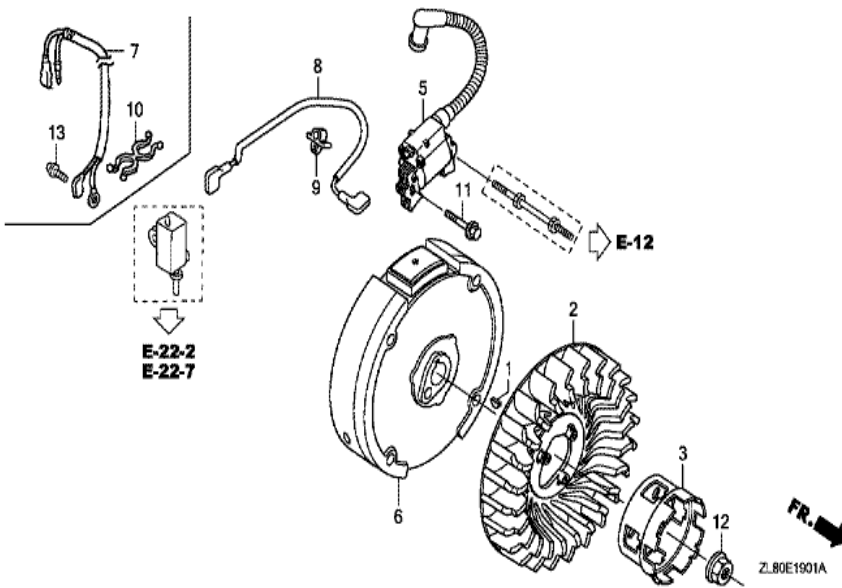


Ref	Partnumber	Description	GC160A	Serial Numbers
001	18310-ZOY-010	MUFFLER COMP.	1	
002	18321-ZOL-800	PROTECTOR, MUFFLER	1	
006	90004-ZL8-000	BOLT, FLANGE, 6X79 (CT200)	2	
007	90013-883-000	BOLT, FLANGE, 6X12 (CT200)	3	
009	18381-ZL8-305	GASKET, MUFFLER	(1)	

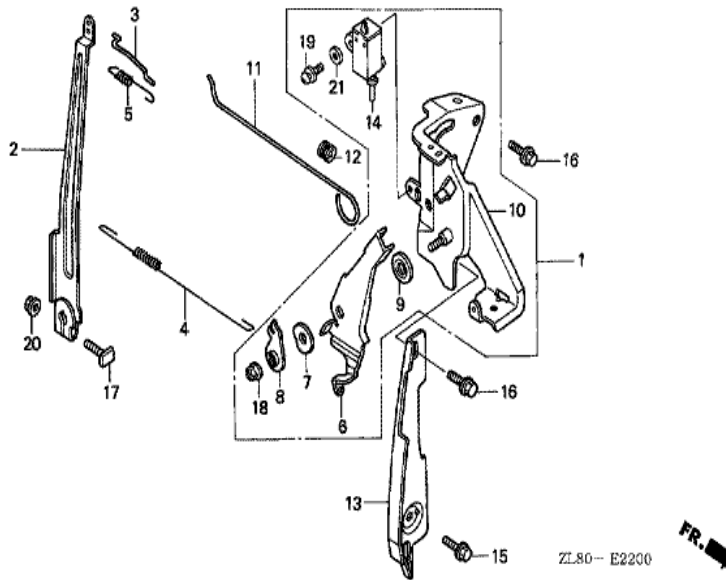


ZL80E1700D

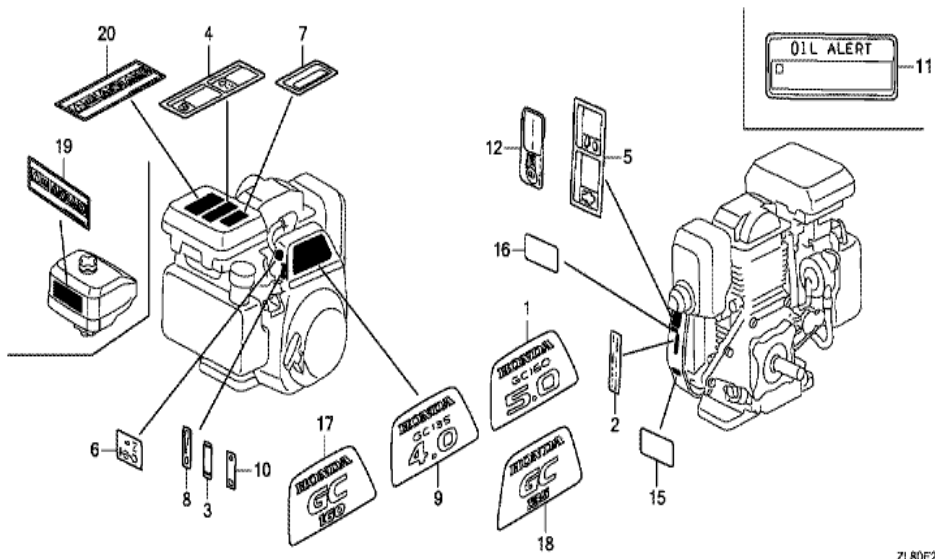
Ref	Partnumber	Description	GC160A	Serial Numbers
001	16700-Z0J-003	PUMP ASSY., FUEL	1	
003	16882-ZL8-000	TUBE, DIAPHRAGM	1	
004	16952-Z8B-000	STRAINER, FUEL	1	
005	17511-Z8A-800	TANK, FUEL	1	
008	17535-166-000	COLLAR, FR. COVER SETTING	1	
009	17561-Z0J-000	STAY A, FUEL TANK	1	
010	17620-Z0M-000	CAP ASSY., FUEL TANK	1	
011	17701-Z8A-003	TUBE, FUEL TANK (FKM)	1	
012	17702-Z8A-003	TUBE, FUEL (FKM)	1	
016	90041-ZL8-000	BOLT, FUEL TANK STUD (H=30MM)	1	
017	90473-896-000	WASHER, 6MM	1	
019	93404-0602500	BOLT-WASHER, 6X25	2	
020	93894-0501400	SCREW-WASHER, 5X14	2	
Ref	Partnumber	Description	GC160A	Serial Numbers
021	94050-06000	NUT, FLANGE, 6MM	1	
031	95002-4080008	CLAMP, TUBE (D8)	1	
032	95002-4085008	CLAMP, TUBE (D8.5)	1	
033	95002-4100008	CLAMP, TUBE (D10)	1	
034	95002-4120008	CLAMP, TUBE (D12)	1	
035	17622-888-010	SPONGE, FUEL CAP BREATHER	1	
036	17624-ZE7-000	PACKING, FUEL CAP	1	
037	17518-Z8A-800	COLLAR, TANK SET	2	
038	17532-Z8A-800	RUBBER A, TANK MOUNTING	1	
039	17533-Z8A-800	RUBBER B, TANK MOUNTING	2	



Ref	Partnumber	Description	GC160A	Serial Numbers
001	13331-Z8B-900	KEY, SPECIAL WOODRUFF, 25X18	1	
002	19511-Z0J-900	FAN, COOLING	1	
003	28451-Z0J-900	PULLEY, STARTER	1	
005	30500-Z8B-911	COIL ASSY., IGNITION (PHELON)	1	
006	31110-Z0J-014	FLYWHEEL COMP.	1	
008	32195-Z1A-900	CORD, STOP SWITCH	1	
009	90681-959-003	CLIP A, CABLE (NIFCO) (3.8MM BLACK)	1	
011	90018-ZE1-000	BOLT, FLANGE, 6X23 (CT200)	1	
012	90201-Z0T-800	NUT, SPECIAL, 14MM	1	

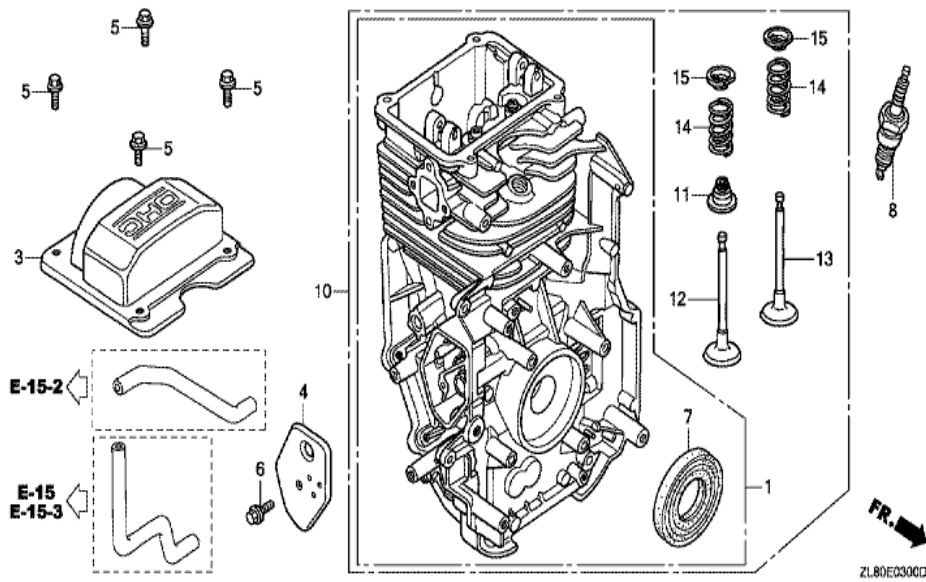


<u>Ref</u>	<u>Partnumber</u>	<u>Description</u>	<u>GC160A</u>	<u>Serial Numbers</u>
001	16500-ZL8-000	CONTROL ASSY.	1	
002	16551-ZL8-010	ARM, GOVERNOR	1	
003	16555-ZL8-000	ROD, GOVERNOR	1	
004	16561-ZOJ-000	SPRING, GOVERNOR	1	
005	16562-ZL8-800	SPRING, THROTTLE RETURN	1	
006	16571-ZL8-000	LEVER, CONTROL	1	
007	16574-ZE1-000	SPRING, LEVER	1	
008	16575-ZL8-000	WASHER, CONTROL LEVER (###)	1	
009	16578-ZE1-000	SPACER, CONTROL LEVER	1	
010	16580-ZL8-000	BASE COMP., CONTROL (###)	1	
011	16611-ZL8-000	ROD, CHOKE CONTROL	1	
012	16613-893-000	GROMMET, CHOKE ROD	1	
013	19612-ZOL-000	PLATE, SIDE	1	
<u>Ref</u>	<u>Partnumber</u>	<u>Description</u>	<u>GC160A</u>	<u>Serial Numbers</u>
014	35120-ZL8-003	SWITCH ASSY., ENGINE STOP (N.O)	1	
015	90013-883-000	BOLT, FLANGE, 6X12 (CT200)	1	
016	90014-952-000	BOLT, FLANGE, 6X14 (CT200)	2	
017	90015-ZE5-010	BOLT, GOVERNOR ARM	1	
018	90114-SA0-000	NUT, SELF-LOCK, 6MM	1	
019	93892-0401200	SCREW-WASHER, 4X12	1	
020	94050-06000	NUT, FLANGE, 6MM	1	
021	94103-04000	WASHER, PLAIN, 4MM	1	

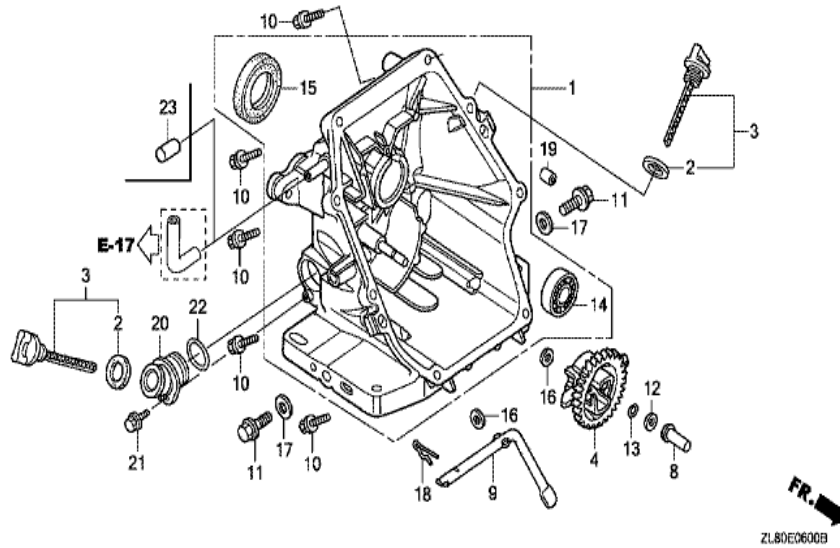


ZL80E2800L

Ref	Partnumber	Description	GC160A	Serial Numbers
006	87528-ZL8-000	MARK, CHOKE	1	
008	87532-ZL8-800	MARK, THROTTLE INDICATION	1	
015	87114-ZH7-840	LABEL, WARNING (NOT CERTIFIED FOR SALE)	1	
017	87101-ZL8-020	EMBLEM (GC160)	1	
020	87519-Z0J-000	MARK, OPERATOR CAUTION	1	

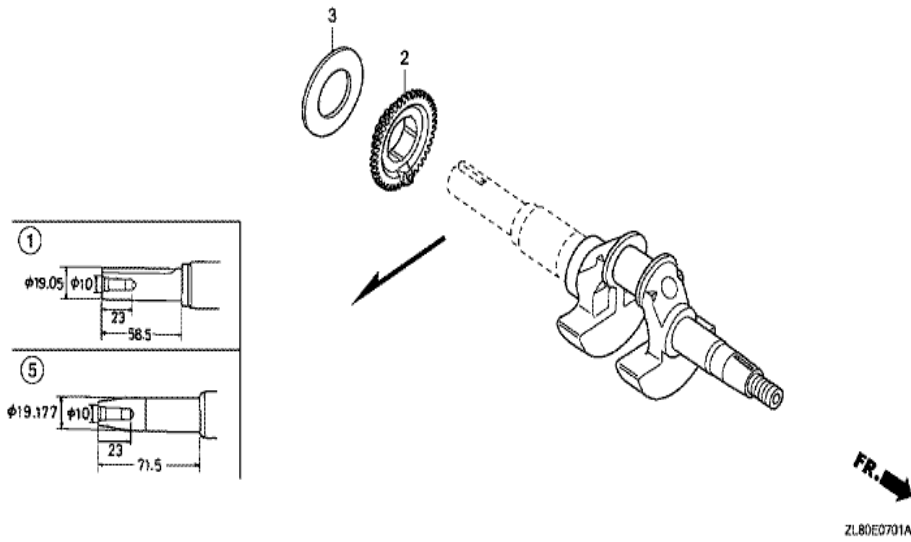


<u>Ref</u>	<u>Partnumber</u>	<u>Description</u>	<u>GC160A</u>	<u>Serial Numbers</u>
001	12000-Z8B-405	BARREL ASSY., CYLINDER	1	
003	12310-Z8A-000	COVER COMP., CYLINDER HEAD	1	
004	12355-ZL8-000	COVER COMP., BREATHER	1	
005	90013-883-000	BOLT, FLANGE, 6X12 (CT200)	4	
006	90014-952-000	BOLT, FLANGE, 6X14 (CT200)	1	
007	91201-ZL8-003	OIL SEAL, 25.4X62X6	1	
008	98079-56846	PLUG, SPARK (BPR6ES) (NGK)	1	
011	12209-Z8B-003	SEAL, VALVE STEM	1	
012	14711-ZOJ-800	VALVE, IN.	1	
012	14711-ZL8-000	VALVE, IN. (TECHNOSTAR)	1	
013	14721-Z8B-000	VALVE, EX. (C8E)	1	
013	14721-ZL8-000	VALVE, EX. (L8E)	1	
014	14751-ZL8-000	SPRING, VALVE	2	
<u>Ref</u>	<u>Partnumber</u>	<u>Description</u>	<u>GC160A</u>	<u>Serial Numbers</u>
015	14771-ZOJ-000	RETAINER, VALVE SPRING	2	

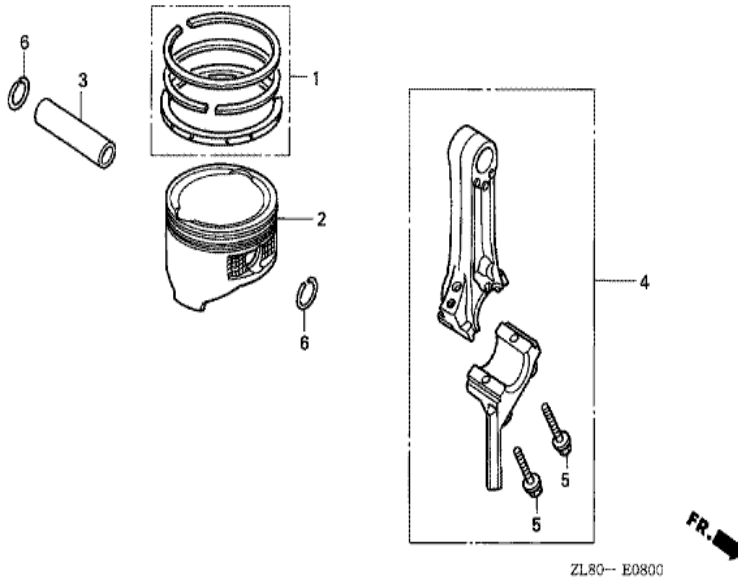


ZL80E0600B

<u>Ref</u>	<u>Partnumber</u>	<u>Description</u>	<u>GC160A</u>	<u>Serial Numbers</u>
001	11300-ZL8-409	COVER ASSY., CRANKCASE	1	
002	15625-Z2L-801	PACKING, OIL FILLER CAP	1	
003	15650-Z2L-801	GAUGE ASSY., OIL LEVEL	1	
004	16510-ZL8-000	GOVERNOR ASSY.	1	
008	16531-ZE1-000	SLIDER, GOVERNOR	1	
009	16541-Z8A-000	SHAFT, GOVERNOR ARM	1	
010	90121-952-000	BOLT, FLANGE, 6X25 (CT200)	8	
011	90131-883-000	BOLT, DRAIN PLUG, 12X15	2	
012	90451-ZE1-000	WASHER, THRUST, 6MM	1	
013	90602-ZE1-000	CLIP, GOVERNOR HOLDER	1	
015	91202-ZL8-003	OIL SEAL, 28X41.25X6	1	
016	94101-06800	WASHER, PLAIN, 6MM	2	
017	94109-12000	WASHER, DRAIN PLUG, 12MM	2	
<u>Ref</u>	<u>Partnumber</u>	<u>Description</u>	<u>GC160A</u>	<u>Serial Numbers</u>
018	94251-08000	PIN, LOCK, 8MM	1	
019	90701-Z8B-000	DOWEL PIN, 8X20	2	



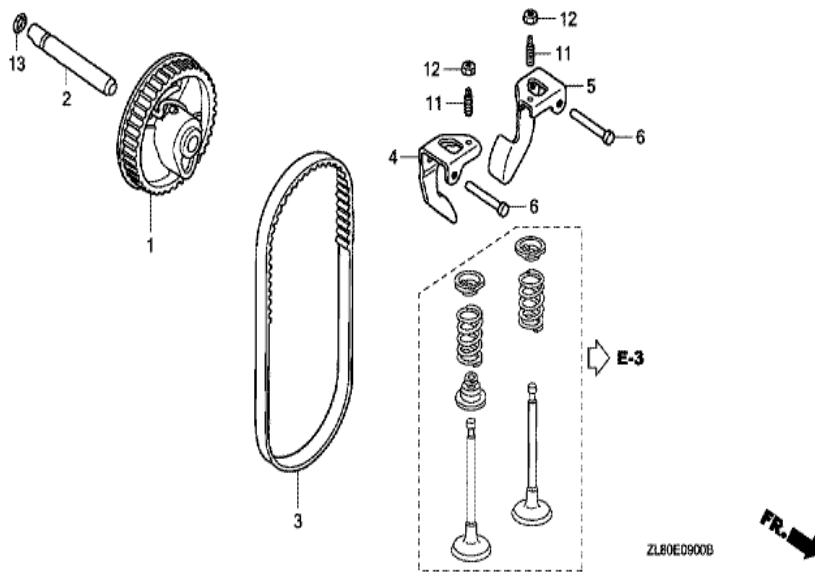
Ref	Partnumber	Description	GC160A	Serial Numbers
001	13311-Z8A-900	CRANKSHAFT	1	
002	13621-Z8B-900	PULLEY, TIMING BELT DRIVE	1	
003	90402-ZL8-000	WASHER, THRUST	1	



ZL80-- E0800

FR. →

Ref	Partnumber	Description	GC160A	Serial Numbers
001	13010-Z0L-014	RING SET, PISTON (STD.) (TEIKOKU)	1	
002	13101-Z8B-820	PISTON	1	
003	13111-Z8B-000	PIN, PISTON	1	
004	13200-Z0J-000	ROD ASSY., CONNECTING	1	
005	90006-Z8B-000	BOLT, CONNECTING ROD	2	
006	90551-ZE0-000	CLIP, PISTON PIN, 13MM	2	



Ref	Partnumber	Description	GC160A	Serial Numbers
001	14320-ZL8-010	PULLEY COMP., CAMSHAFT	1	
002	14324-Z8B-000	SHAFT, CAM PULLEY	1	
003	14400-Z8B-003	BELT, TIMING (84HU6 G-200)	1	
004	14431-Z0J-000	ARM, IN. VALVE ROCKER	1	
005	14441-Z0J-000	ARM, EX. VALVE ROCKER	1	
006	14461-ZL8-000	SHAFT, ROCKER ARM	2	
011	90012-333-000	SCREW, TAPPET ADJUSTING	2	
012	90206-001-000	NUT, TAPPET ADJUSTING	2	
013	91301-ZM0-V31	O-RING, 6.8X1.9 (ARAI)	1	