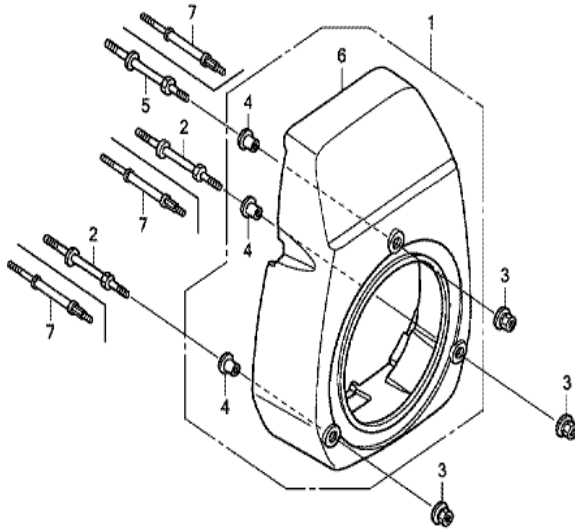


ZL80-E1100

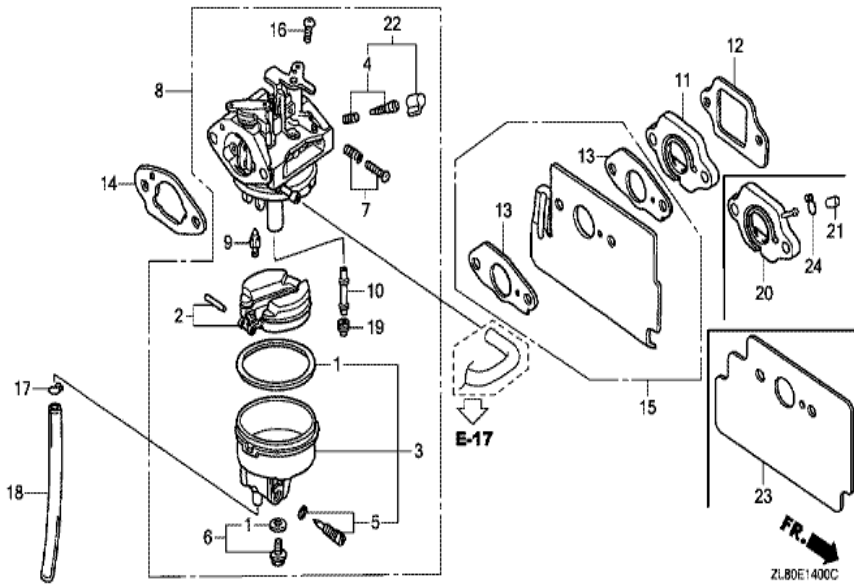


Ref	Partnumber	Description	GC160	Serial Numbers
001	28400-ZL8-003ZA	STARTER ASSY., RECOIL *NH1 *	1	1210407
001	28400-ZL8-003ZA	STARTER ASSY., RECOIL *NH1 *	1	1077762
001	28400-ZL8-003ZA	STARTER ASSY., RECOIL *NH1 *	1	1210407
001	28400-ZL8-013ZA	STARTER ASSY., RECOIL *NH1 *	1	1210408
001	28400-ZL8-013ZA	STARTER ASSY., RECOIL *NH1 *	1	1077763
001	28400-ZL8-013ZA	STARTER ASSY., RECOIL *NH1 *	1	1210408
002	28461-ZL8-003	GRIP, STARTER	1	
003	28462-ZL8-003	ROPE, RECOIL STARTER	1	



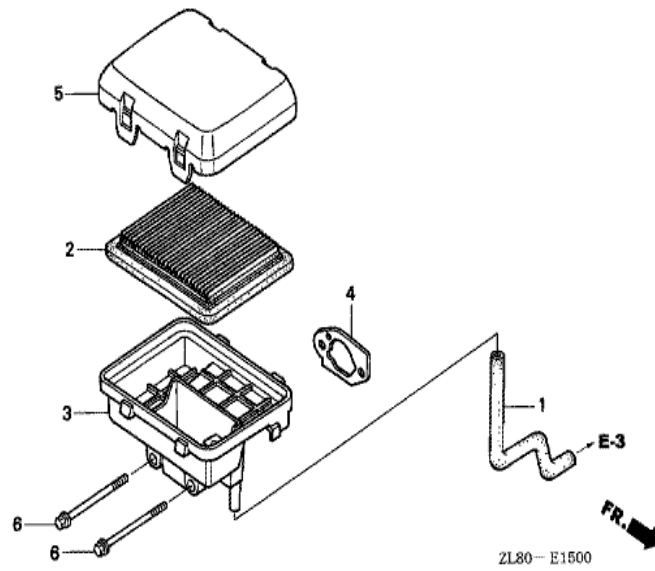
ZL80E1200D

Ref	Partnumber	Description	GC160	Serial Numbers
001	19611-ZL8-000ZA	COVER, FAN *NH1 *	1	3754930
001	19611-ZL8-000ZA	COVER, FAN *NH1 *	1	
002	90043-ZL8-000	BOLT, STUD (H=42.5MM)	2	
003	90201-ZM0-000	NUT, FLANGE, 6MM	3	
003	90201-ZM0-000	NUT, FLANGE, 6MM	3	
004	19619-ZL8-300	COLLAR, FAN COVER	3	
005	90043-ZL8-000	BOLT, STUD (H=42.5MM)	1	
005	90043-ZL8-000	BOLT, STUD (H=42.5MM)	1	

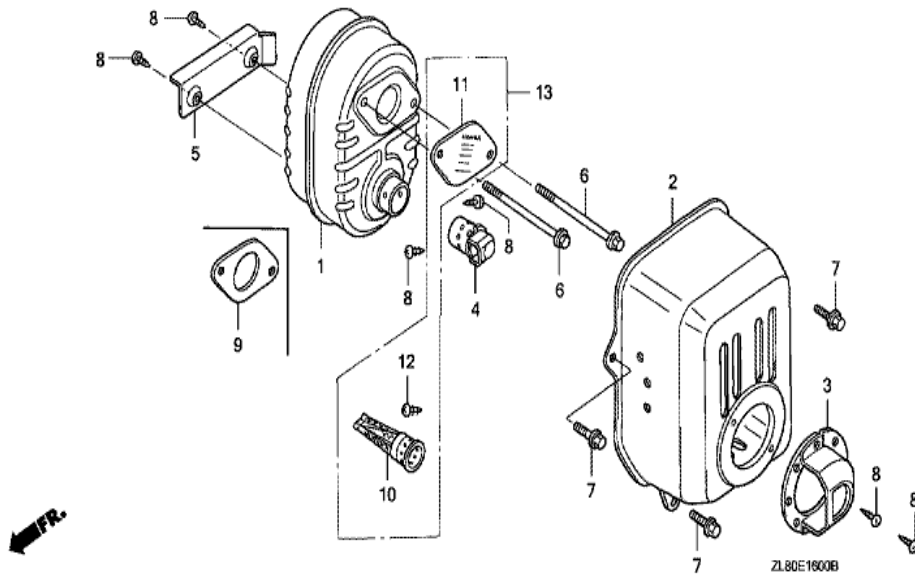


Ref	Partnumber	Description	GC160	Serial Numbers
001	16010-883-015	PACKING SET	1	
002	16013-ZL1-003	FLOAT SET	1	
003	16015-ZL8-003	CHAMBER SET, FLOAT	1	
004	16016-892-005	SCREW SET A	1	BB61A C
005	16024-124-760	SCREW SET, DRAIN	1	
006	16028-ZE0-005	SCREW SET	1	
007	16029-ZG0-901	SCREW SET (THROTTLE STOP)	1	
008	16100-ZL8-003	CARBURETOR ASSY. (BB61A B)	1	1113613
008	16100-ZL8-003	CARBURETOR ASSY. (BB61A B)	1	1113613
008	16100-ZL8-003	CARBURETOR ASSY. (BB61A B)	1	1113613
008	16100-ZL8-013	CARBURETOR ASSY. (BB61A C)	1	1113614 1468998
008	16100-ZL8-013	CARBURETOR ASSY. (BB61A C)	1	1113614 1468998
008	16100-ZL8-013	CARBURETOR ASSY. (BB61A C)	1	1113614 14689983 of 16

<u>Ref</u>	<u>Partnumber</u>	<u>Description</u>	<u>GC160</u>	<u>Serial Numbers</u>
008	16100-ZL8-802	CARBURETOR ASSY. (BB61B C)	1	1468999
008	16100-ZL8-802	CARBURETOR ASSY. (BB61B C)	1	1468999
008	16100-ZL8-802	CARBURETOR ASSY. (BB61B C)	1	1468999
009	16155-ZL8-003	VALVE COMP., FLOAT	1	
010	16166-ZL8-003	NOZZLE, MAIN	1	
010	16166-ZL8-003	NOZZLE, MAIN	1	
011	16211-ZL8-000	INSULATOR, CARBURETOR	1	
011	16211-ZL8-000	INSULATOR, CARBURETOR	1	
012	16212-ZL8-000	PACKING, INSULATOR	1	
013	16221-883-800	PACKING, CARBURETOR	2	
014	16228-ZL8-000	PACKING, CARBURETOR	1	
015	19650-ZL8-000	GUIDE COMP., AIR	1	
015	19650-ZL8-000	GUIDE COMP., AIR	1	1301372
016	93500-050061H	SCREW, PAN, 5X6	1	
017	95002-02650	CLIP, TUBE (B6.5)	1	
018	95003-0701531	TUBE, VINYL, 4X7X150 (95003-07001-60M)	1	
019	99101-1240600	JET, MAIN, #60	(1)	
019	99101-1240600	JET, MAIN, #60	(1)	
019	99101-1240620	JET, MAIN, #62	(1)	
019	99101-1240620	JET, MAIN, #62	(1)	
019	99101-1240650	JET, MAIN, #65	1	
019	99101-1240650	JET, MAIN, #65	1	
022	16016-ZGO-W00	SCREW SET	1	
022	16016-ZGO-W00	SCREW SET	1	BB61B C



Ref	Partnumber	Description	GC160	Serial Numbers
001	15721-ZL8-000	TUBE, BREATHER	1	
001	15721-ZL8-000	TUBE, BREATHER	1	
002	17211-ZL8-000	ELEMENT, AIR CLEANER	1	
003	17220-ZL8-000	CASE COMP., AIR CLEANER	1	
004	17228-ZL8-000	PACKING, AIR CLEANER	1	
004	17228-ZL8-000	PACKING, AIR CLEANER	1	
005	17231-ZL8-000	COVER, AIR CLEANER	1	
005	17231-ZL8-000	COVER, AIR CLEANER	1	
005	17231-ZL8-000	COVER, AIR CLEANER	1	
006	90003-ZL8-000	BOLT, FLANGE, 6X112 (CT200)	2	
006	90003-ZL8-000	BOLT, FLANGE, 6X112 (CT200)	2	



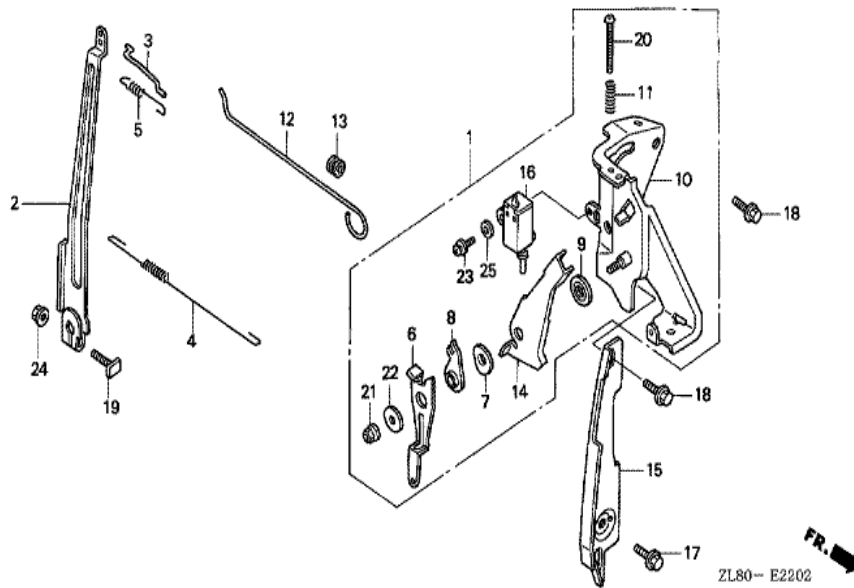
Ref	Partnumber	Description	GC160	Serial Numbers
001	18310-ZL8-010	MUFFLER COMP.	1	
001	18310-ZL8-010	MUFFLER COMP.	1	
001	18310-ZL8-010	MUFFLER COMP.	1	
002	18321-ZL8-000	PROTECTOR, MUFFLER	1	
002	18321-ZL8-000	PROTECTOR, MUFFLER	1	
005	19664-ZL8-000	SHROUD, MUFFLER	1	
006	90004-ZL8-000	BOLT, FLANGE, 6X79 (CT200)	2	
007	90013-883-000	BOLT, FLANGE, 6X12 (CT200)	3	
008	90055-ZE1-000	SCREW, TAPPING, 4X6	2	
009	18381-ZL8-305	GASKET, MUFFLER	(1)	



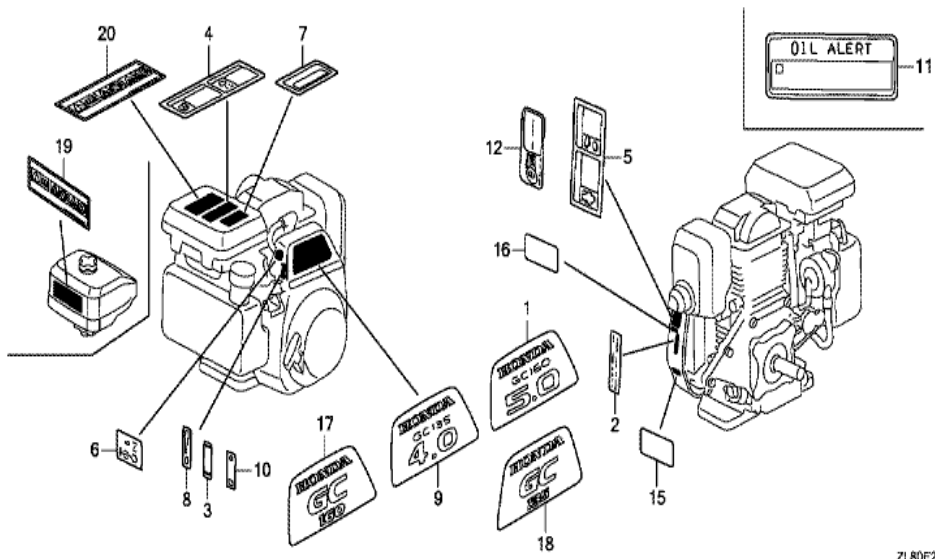
ZL80E1700D

Ref	Partnumber	Description	GC160	Serial Numbers
001	16700-ZL8-003	PUMP ASSY., FUEL	1	1825178
001	16700-ZL8-003	PUMP ASSY., FUEL	1	
003	16882-ZL8-000	TUBE, DIAPHRAGM	1	
003	16882-ZL8-000	TUBE, DIAPHRAGM	1	
004	16952-ZA8-800	STRAINER, FUEL	1	
004	16952-ZA8-800	STRAINER, FUEL	1	
005	17511-ZL8-000	TANK, FUEL	1	
005	17511-ZL8-000	TANK, FUEL	1	
005	17511-ZL8-000	TANK, FUEL	1	
006	17516-ZV0-000	RUBBER B, TANK MOUNTING	2	
008	17535-166-000	COLLAR, FR. COVER SETTING	1	
009	17561-ZL8-000	STAY A, FUEL TANK	1	
009	17561-ZL8-000	STAY A, FUEL TANK	1	

<u>Ref</u>	<u>Partnumber</u>	<u>Description</u>	<u>GC160</u>	<u>Serial Numbers</u>
010	17620-ZL8-003	CAP ASSY., FUEL TANK	1	1709716
010	17620-ZL8-003	CAP ASSY., FUEL TANK	1	1709716
010	17620-ZL8-013	CAP ASSY., FUEL TANK	1	1709717
010	17620-ZL8-013	CAP ASSY., FUEL TANK	1	1709717
011	17701-ZL8-000	TUBE, FUEL TANK	1	
011	17701-ZL8-000	TUBE, FUEL TANK	1	
011	17701-ZL8-000	TUBE, FUEL TANK	1	
012	17702-ZL8-000	TUBE, FUEL	1	
012	17702-ZL8-000	TUBE, FUEL	1	
012	17702-ZL8-000	TUBE, FUEL	1	
015	80103-MG2-000	CUSHION, RR. FENDER	1	
016	90041-ZL8-000	BOLT, FUEL TANK STUD (H=30MM)	1	
017	90473-896-000	WASHER, 6MM	1	
018	90501-KA2-640	COLLAR, 14X6.1	2	
019	93404-0602500	BOLT-WASHER, 6X25	2	
020	93894-0501400	SCREW-WASHER, 5X14	2	
021	94050-06000	NUT, FLANGE, 6MM	1	
023	95002-02080	CLIP, TUBE (B8)	1	
024	95002-02100	CLIP, TUBE (B10)	1	
025	95002-50000	CLIP, TUBE (C9)	1	
026	95002-70000	CLIP, TUBE (C11)	1	
035	17622-ZL8-003	SPONGE, FUEL CAP BREATHER	1	1102861
035	17622-ZL8-003	SPONGE, FUEL CAP BREATHER	1	
036	17624-ZL8-003	PACKING, FUEL CAP	1	
036	17624-ZL8-003	PACKING, FUEL CAP	1	

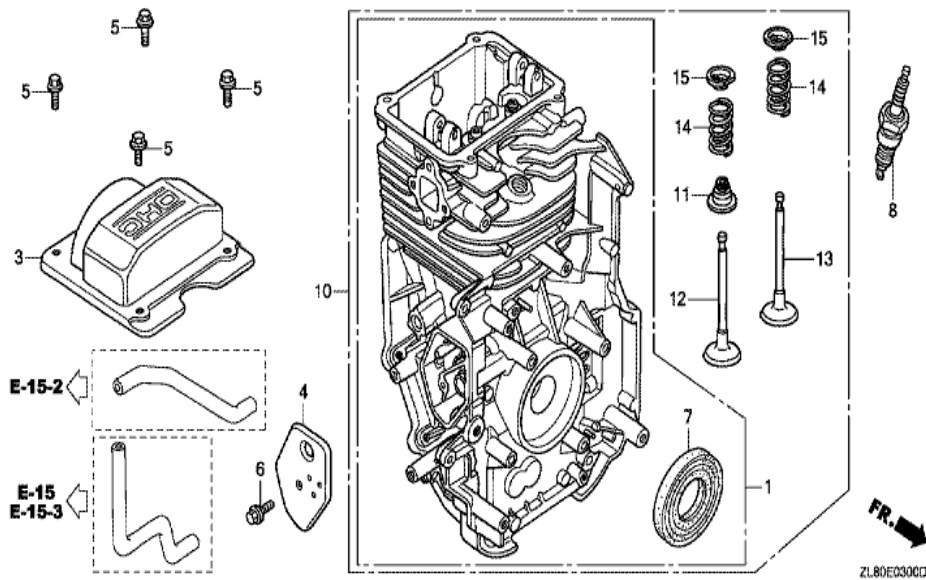


<u>Ref</u>	<u>Partnumber</u>	<u>Description</u>	<u>GC160</u>	<u>Serial Numbers</u>
001	16500-ZL8-850	CONTROL ASSY.	1	
002	16551-ZL8-000	ARM, GOVERNOR	1	
002	16551-ZL8-000	ARM, GOVERNOR	1	
003	16555-ZL8-000	ROD, GOVERNOR	1	
004	16561-ZL8-800	SPRING, GOVERNOR	1	
005	16562-ZL8-000	SPRING, THROTTLE RETURN	1	1030440
005	16562-ZL8-000	SPRING, THROTTLE RETURN	1	1077280
005	16562-ZL8-800	SPRING, THROTTLE RETURN	1	
005	16562-ZL8-800	SPRING, THROTTLE RETURN	1	1077281
006	16571-ZL8-850	LEVER, CONTROL	1	
007	16574-ZE1-000	SPRING, LEVER	1	
008	16575-ZL8-000	WASHER, CONTROL LEVER (###)	1	
009	16578-ZE1-000	SPACER, CONTROL LEVER	1	
<u>Ref</u>	<u>Partnumber</u>	<u>Description</u>	<u>GC160</u>	<u>Serial Numbers</u>
010	16580-ZL8-000	BASE COMP., CONTROL (###)	1	
011	16584-883-300	SPRING, CONTROL ADJUSTING	1	
012	16611-ZL8-000	ROD, CHOKE CONTROL	1	
013	16613-893-000	GROMMET, CHOKE ROD	1	
014	16631-ZL8-850	LEVER, STOP (###)	1	
015	19612-ZL8-000	PLATE, SIDE	1	
015	19612-ZL8-000	PLATE, SIDE	1	
016	35120-ZL8-003	SWITCH ASSY., ENGINE STOP (N.O)	1	
017	90013-883-000	BOLT, FLANGE, 6X12 (CT200)	1	
018	90014-952-000	BOLT, FLANGE, 6X14 (CT200)	2	
019	90015-ZE5-010	BOLT, GOVERNOR ARM	1	
020	90031-ZL8-850	SCREW, ADJUST	1	
021	90114-SA0-000	NUT, SELF-LOCK, 6MM	1	
022	90563-355-000	WASHER, WHEEL, 6MM	1	
023	93892-0401200	SCREW-WASHER, 4X12	1	
024	94050-06000	NUT, FLANGE, 6MM	1	
025	94103-04000	WASHER, PLAIN, 4MM	1	

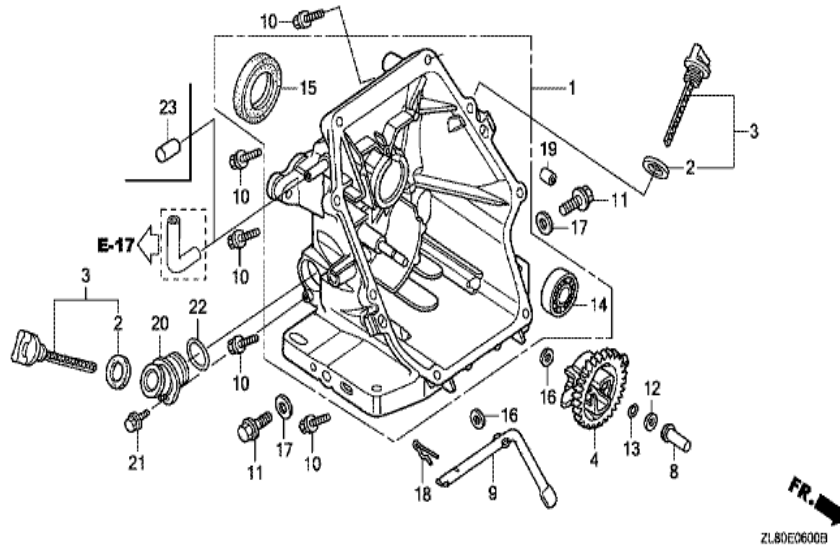


ZL80E2800L

Ref	Partnumber	Description	GC160	Serial Numbers
001	87101-ZL8-000	EMBLEM (GC160 5.0)	1	
003	87501-ZL8-000	MARK, ENGINE SWITCH INDICATION	1	
006	87528-ZL8-000	MARK, CHOKE	1	

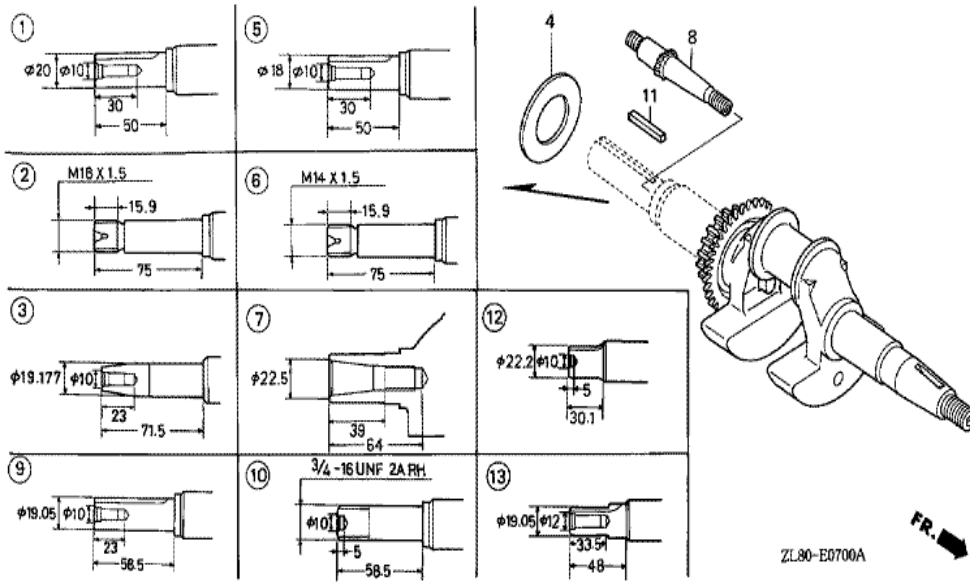


<u>Ref</u>	<u>Partnumber</u>	<u>Description</u>	<u>GC160</u>	<u>Serial Numbers</u>
001	12000-ZL8-000	BARREL ASSY., CYLINDER	1	1212616
001	12000-ZL8-000	BARREL ASSY., CYLINDER	1	1212616
001	12000-ZL8-000	BARREL ASSY., CYLINDER	1	1212616
001	12000-ZL8-405	BARREL ASSY., CYLINDER	1	1212617
001	12000-ZL8-405	BARREL ASSY., CYLINDER	1	1212617
001	12000-ZL8-405	BARREL ASSY., CYLINDER	1	1212617
003	12311-ZL8-000	COVER, HEAD	1	1122153
003	12311-ZL8-000	COVER, HEAD	1	1122153
003	12311-ZL8-000	COVER, HEAD	1	1468766
003	12311-ZL8-D00	COVER, HEAD	1	1122154
003	12311-ZL8-D00	COVER, HEAD	1	1122154
003	12311-ZL8-D00	COVER, HEAD	1	1468767
004	12355-ZL8-000	COVER COMP., BREATHER	1	
<u>Ref</u>	<u>Partnumber</u>	<u>Description</u>	<u>GC160</u>	<u>Serial Numbers</u>
005	90013-883-000	BOLT, FLANGE, 6X12 (CT200)	4	
006	90014-952-000	BOLT, FLANGE, 6X14 (CT200)	1	
007	91201-ZL8-003	OIL SEAL, 25.4X62X6	1	
008	98079-56846	PLUG, SPARK (BPR6ES) (NGK)	1	
012	14711-ZL8-000	VALVE, IN. (TECHNOSTAR)	1	
012	14711-ZL8-000	VALVE, IN. (TECHNOSTAR)	1	
013	14721-ZL8-000	VALVE, EX. (L8E)	1	
013	14721-ZL8-000	VALVE, EX. (L8E)	1	
014	14751-ZL8-000	SPRING, VALVE	2	
015	14771-ZE1-000	RETAINER, IN. VALVE SPRING	2	
015	14771-ZE1-000	RETAINER, IN. VALVE SPRING	2	

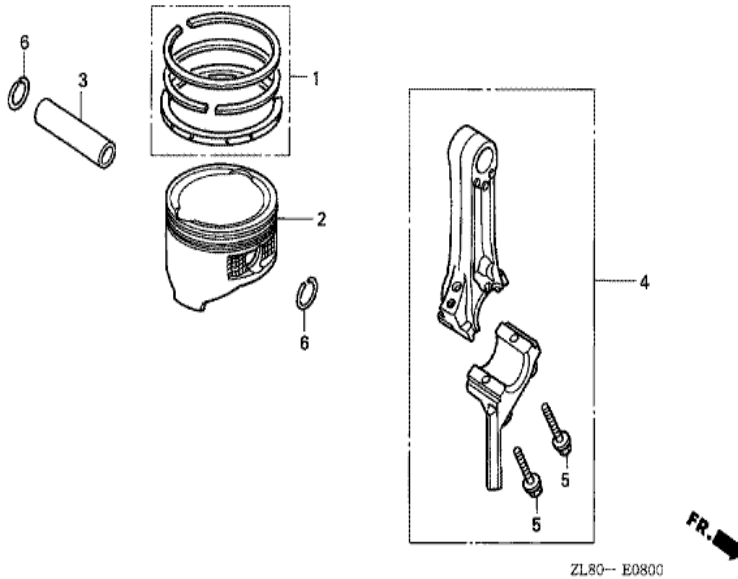


ZL80E0600B

<u>Ref</u>	<u>Partnumber</u>	<u>Description</u>	<u>GC160</u>	<u>Serial Numbers</u>
001	11300-ZL8-405	COVER ASSY., CRANKCASE	1	
001	11300-ZL8-405	COVER ASSY., CRANKCASE	1	
002	15625-ZE1-003	PACKING, OIL FILLER CAP	2	
002	15625-ZE1-003	PACKING, OIL FILLER CAP	1	
003	15650-ZL8-003	GAUGE ASSY., OIL LEVEL	1	1805025
003	15650-ZL8-003	GAUGE ASSY., OIL LEVEL	1	
004	16510-ZL8-000	GOVERNOR ASSY.	1	
008	16531-ZE1-000	SLIDER, GOVERNOR	1	
009	16541-ZL8-000	SHAFT, GOVERNOR ARM	1	
009	16541-ZL8-000	SHAFT, GOVERNOR ARM	1	
010	90121-952-000	BOLT, FLANGE, 6X25 (CT200)	8	
011	90131-883-000	BOLT, DRAIN PLUG, 12X15	1	1398445
011	90131-883-000	BOLT, DRAIN PLUG, 12X15	2	
<u>Ref</u>	<u>Partnumber</u>	<u>Description</u>	<u>GC160</u>	<u>Serial Numbers</u>
012	90451-ZE1-000	WASHER, THRUST, 6MM	1	
013	90602-ZE1-000	CLIP, GOVERNOR HOLDER	1	
014	91001-ZL8-003	BEARING, RADIAL BALL, 62/28	1	
015	91202-ZL8-003	OIL SEAL, 28X41.25X6	1	
016	94101-06800	WASHER, PLAIN, 6MM	2	
017	94109-12000	WASHER, DRAIN PLUG, 12MM	1	1398445
017	94109-12000	WASHER, DRAIN PLUG, 12MM	2	
018	94251-08000	PIN, LOCK, 8MM	1	
019	94301-08200	DOWEL PIN, 8X20	2	
019	94301-08200	DOWEL PIN, 8X20	2	

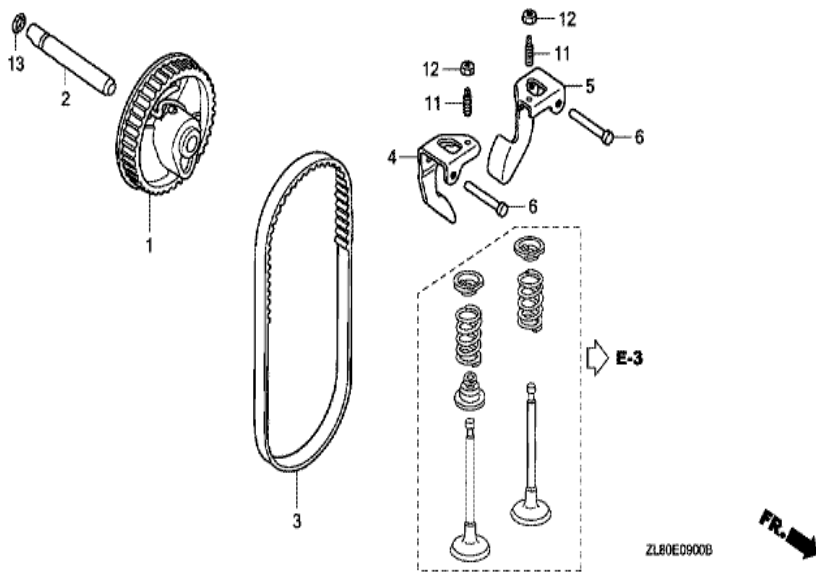


Ref	Partnumber	Description	GC160	Serial Numbers
003	13310-ZL8-670	CRANKSHAFT COMP.	1	1060719
003	13310-ZL8-670	CRANKSHAFT COMP.	1	1060719
003	13310-ZL8-671	CRANKSHAFT COMP.	1	
003	13310-ZL8-671	CRANKSHAFT COMP.	1	1060720
004	90402-ZL8-000	WASHER, THRUST	1	



ZL80-- E0800

<u>Ref</u>	<u>Partnumber</u>	<u>Description</u>	<u>GC160</u>	<u>Serial Numbers</u>
001	13010-ZL8-003	RING SET, PISTON (RIKEN)	1	1029006
001	13010-ZL8-003	RING SET, PISTON (RIKEN)	1	
001	13010-ZL8-004	RING SET, PISTON (TEIKOKU)	1	
001	13010-ZL8-004	RING SET, PISTON (TEIKOKU)	1	
002	13101-ZL8-000	PISTON	1	1102445
002	13101-ZL8-000	PISTON	1	
002	13101-ZL8-000	PISTON	1	
003	13111-ZE0-000	PIN, PISTON	1	
003	13111-ZE0-000	PIN, PISTON	1	
004	13200-ZL8-000	ROD ASSY., CONNECTING	1	
005	90001-ZE1-000	BOLT, CONNECTING ROD	2	
006	90551-ZE0-000	CLIP, PISTON PIN, 13MM	2	



<u>Ref</u>	<u>Partnumber</u>	<u>Description</u>	<u>GC160</u>	<u>Serial Numbers</u>
001	14320-ZL8-010	PULLEY COMP., CAMSHAFT	1	
002	14324-ZL8-000	SHAFT, CAM PULLEY	1	
002	14324-ZL8-000	SHAFT, CAM PULLEY	1	
003	14400-ZL8-013	BELT, TIMING (84HU7 G-200)	1	
003	14400-ZL8-013	BELT, TIMING (84HU7 G-200)	1	
003	14400-ZL8-013	BELT, TIMING (84HU7 G-200)	1	
004	14431-ZL8-000	ARM, IN. VALVE ROCKER	1	
004	14431-ZL8-000	ARM, IN. VALVE ROCKER	1	
005	14441-ZL8-000	ARM, EX. VALVE ROCKER	1	
005	14441-ZL8-000	ARM, EX. VALVE ROCKER	1	
006	14461-ZL8-000	SHAFT, ROCKER ARM	2	
011	90012-333-000	SCREW, TAPPET ADJUSTING	2	
012	90206-001-000	NUT, TAPPET ADJUSTING	2	
<u>Ref</u>	<u>Partnumber</u>	<u>Description</u>	<u>GC160</u>	<u>Serial Numbers</u>
013	91301-ZM0-V31	O-RING, 6.8X1.9 (ARAI)	1	