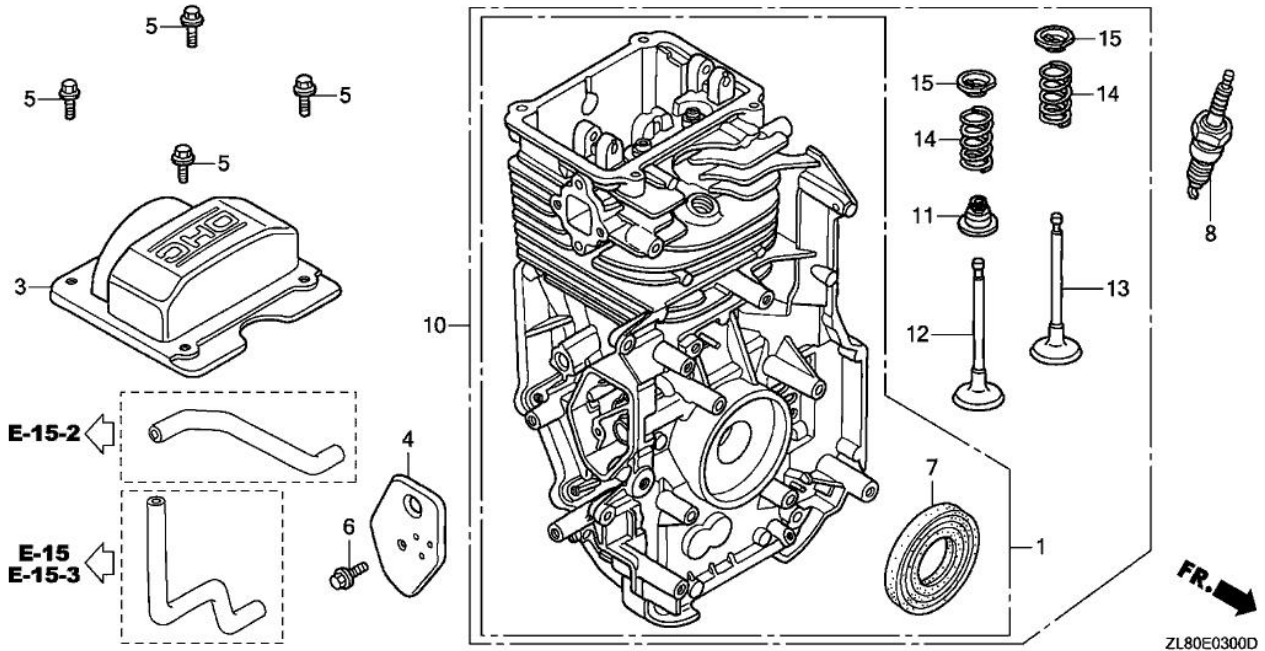


TRU-POWER, INC.

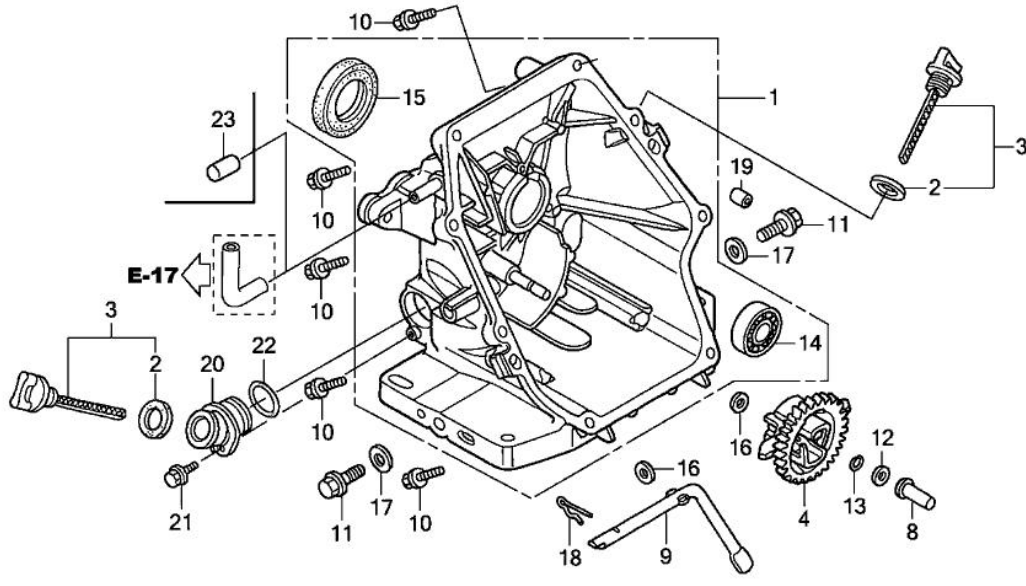
Model Name	GC135	Product Line	GENERAL PURPOSE ENGINE
Mfg		Type	PHA
Section	ENGINE	Illustration	CYLINDER



Ref.	Part Number	Part Description	Qty.
001	12000-ZL9-000	CYLINDER ASSY.	001
001	12000-ZL9-425	CYLINDER ASSY.	001
003	12310-Z0J-000	COVER, CYLINDER HEAD	001
003	12311-ZL8-000	COVER, HEAD	001
003	12311-ZL8-D00	COVER, HEAD	001
003	12310-Z8A-000	COVER, CYLINDER HEAD	001
004	12355-ZL8-000	COVER, BREATHER (BREATHER VALVE ASSY.)	001
005	90013-883-000	BOLT, FLANGE (6X12) (CT200)	004
006	90014-952-000	BOLT, FLANGE (6X14) (CT200)	001
007	91201-ZL8-003	OIL SEAL (25.4X62X6)	001
008	98079-56846	SPARK PLUG (BPR6ES) (NGK)	001
010	12000-ZL9-425	CYLINDER ASSY.	001
011	12209-ZM0-003	SEAL, VALVE STEM	001
012	14711-ZL8-000	VALVE, IN. (TECHNOSTAR)	001
013	14721-ZL8-000	VALVE, EX. (L8E)	001
013	14721-Z8B-000	VALVE, EX. (C8E)	001
014	14751-ZL8-000	SPRING, VALVE	002
015	14771-ZE1-000	RETAINER, IN. VALVE SPRING	002

TRU-POWER, INC.

Model Name	GC135	Product Line	GENERAL PURPOSE ENGINE
Mfg		Type	PHA
Section	ENGINE	Illustration	CRANKCASE COVER

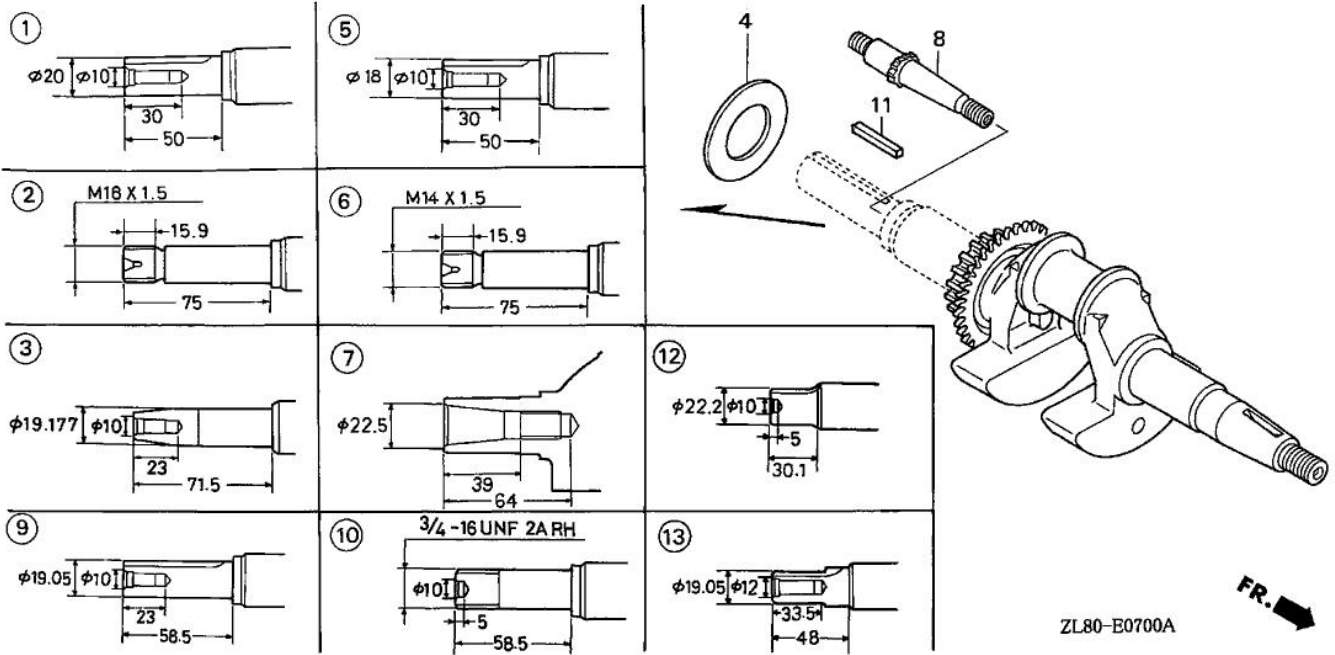


FR. →
ZL80E0600B

Ref.	Part Number	Part Description	Qty.
001	11300-ZL8-660	COVER ASSY., CRANKCASE (U-TYPE)	001
002	15625-ZE1-003	GASKET, OIL FILLER CAP	001
003	15650-ZL8-003	GAUGE ASSY., OIL LEVEL	001
003	15650-ZL8-013	GAUGE ASSY., OIL LEVEL	001
004	16510-ZL8-000	GOVERNOR ASSY.	001
008	16531-ZE1-000	SLIDER, GOVERNOR	001
009	16541-ZL8-000	SHAFT, GOVERNOR ARM	001
010	90121-952-000	BOLT, FLANGE (6X25) (CT200)	008
011	90131-896-650	BOLT, DRAIN PLUG (12X15)	002
012	90451-ZE1-000	WASHER, THRUST (6MM)	001
013	90602-ZE1-000	CLIP, GOVERNOR HOLDER	001
014	91001-ZL8-003	BEARING, RADIAL BALL (62/28)	001
015	91202-ZL8-003	OIL SEAL (28X41.25X6)	001
016	94101-06800	WASHER, PLAIN (6MM)	002
017	94109-12000	WASHER, DRAIN PLUG (12MM)	002
018	94251-08000	PIN, LOCK (8MM)	001
019	94301-08200	PIN, DOWEL (8X20)	002

TRU-POWER, INC.

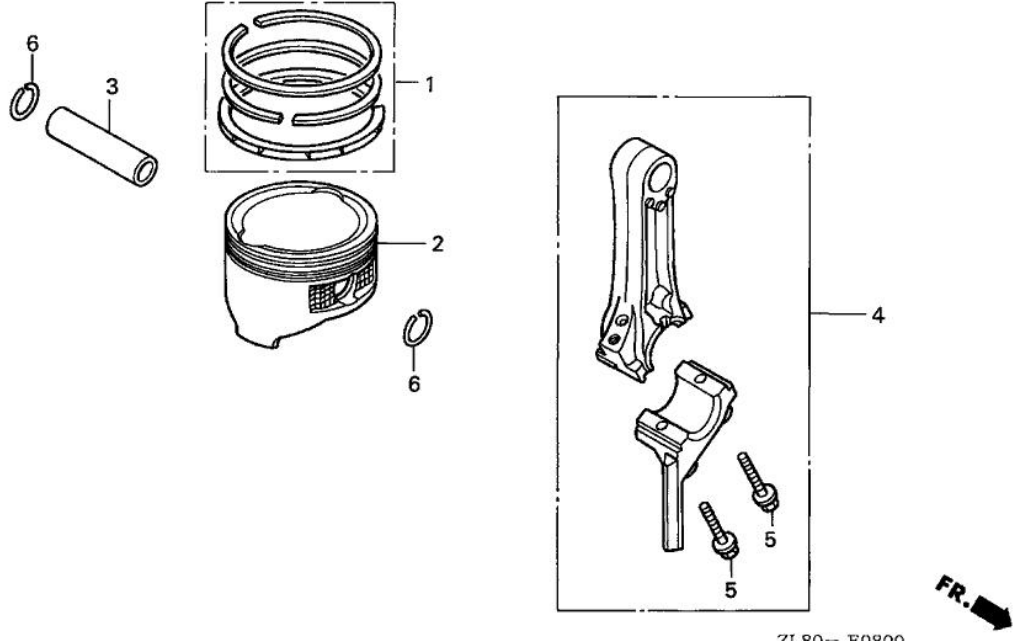
Model Name	GC135	Product Line	GENERAL PURPOSE ENGINE
Mfg		Type	PHA
Section	ENGINE	Illustration	CRANKSHAFT



Ref.	Part Number	Part Description	Qty.
004	90402-ZL8-000	WASHER, THRUST	001
010	13310-ZL9-650	CRANKSHAFT	001

TRU-POWER, INC.

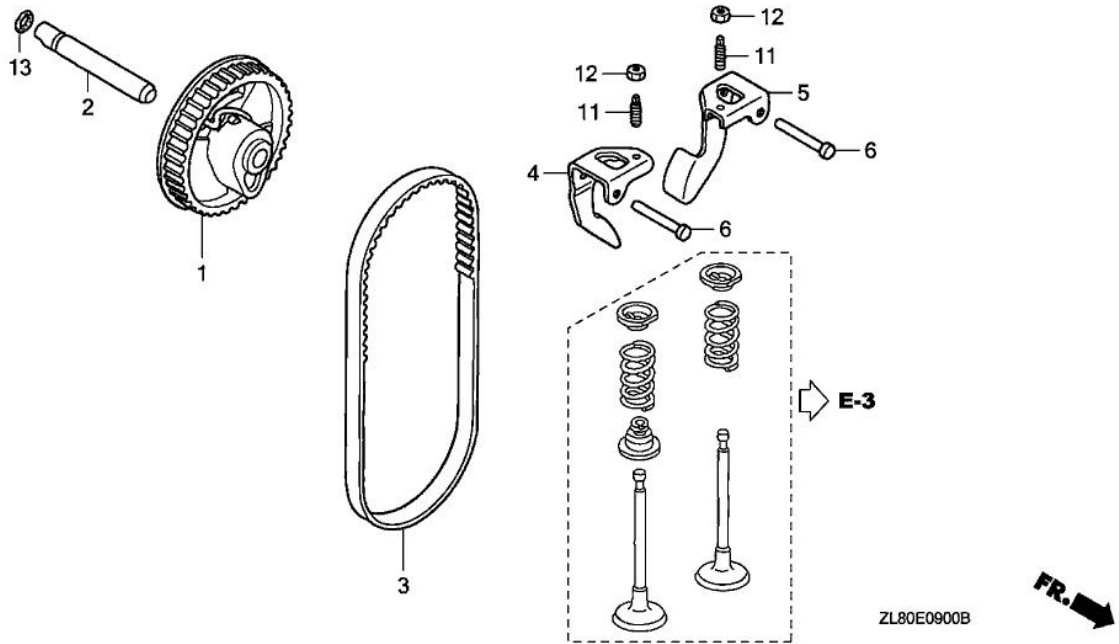
Model Name	GC135	Product Line	GENERAL PURPOSE ENGINE
Mfg		Type	PHA
Section	ENGINE	Illustration	PISTON - CONNECTING ROD



Ref.	Part Number	Part Description	Qty.
001	13010-ZL8-003	RING SET, PISTON (RIKEN)	001
002	13101-ZL8-000	PISTON	001
003	13111-ZE0-000	PIN, PISTON	001
004	13200-ZL9-000	ROD ASSY., CONNECTING	001
005	90001-ZE1-000	BOLT, CONNECTING ROD	002
006	90551-ZE0-000	CLIP, PISTON PIN (13MM)	002

TRU-POWER, INC.

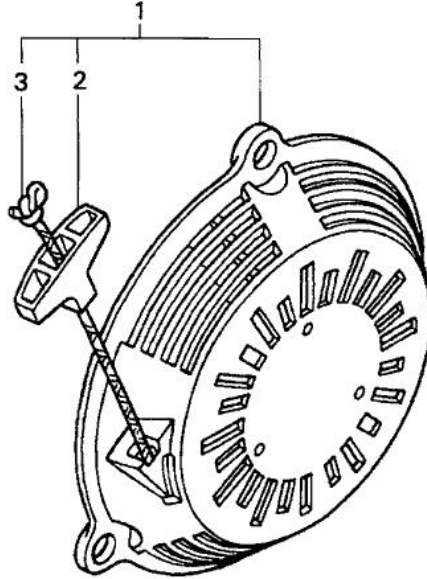
Model Name	GC135	Product Line	GENERAL PURPOSE ENGINE
Mfg		Type	PHA
Section	ENGINE	Illustration	CAMSHAFT PULLEY



Ref.	Part Number	Part Description	Qty.
001	14320-ZL8-010	PULLEY, CAMSHAFT	001
002	14324-ZL8-000	SHAFT, CAM PULLEY	001
003	14400-ZL9-013	BELT, TIMING (79HU7 G-200)	001
004	14431-Z0J-000	ARM, IN. VALVE ROCKER	001
005	14441-Z0J-000	ARM, EX. VALVE ROCKER	001
006	14461-ZL8-000	SHAFT, ROCKER ARM	002
011	90012-333-000	SCREW, TAPPET ADJUSTING	002
012	90206-001-000	NUT, TAPPET ADJUSTING	002
013	91301-ZM0-V31	O-RING (6.8X1.9) (ARAI)	001

TRU-POWER, INC.

Model Name	GC135	Product Line	GENERAL PURPOSE ENGINE
Mfg		Type	PHA
Section	ENGINE	Illustration	RECOIL STARTER



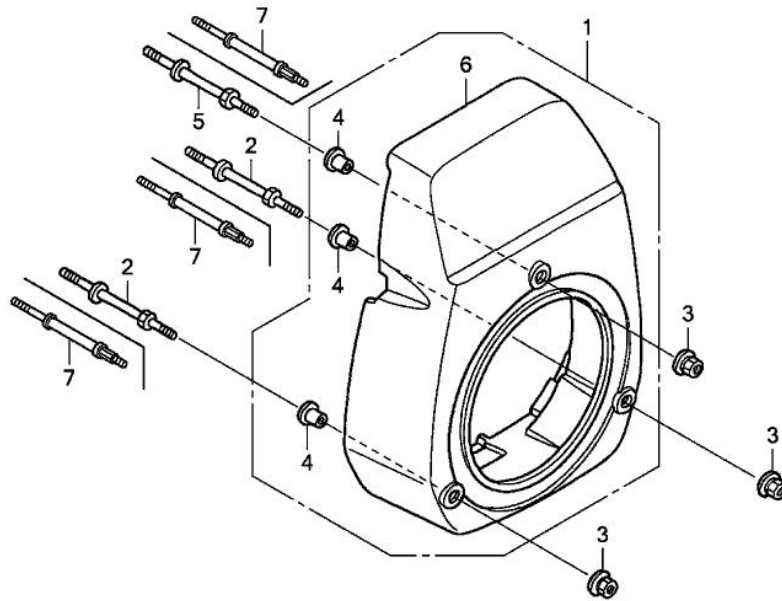
ZL80- E1100



Ref.	Part Number	Part Description	Qty.
001	28400-ZL8-023ZA	STARTER ASSY., RECOIL *NH1*(BLACK)	001
002	28461-ZL8-003	GRIP, STARTER	001
003	28462-ZL8-003	ROPE, RECOIL STARTER	001

TRU-POWER, INC.

Model Name	GC135	Product Line	GENERAL PURPOSE ENGINE
Mfg		Type	PHA
Section	ENGINE	Illustration	FAN COVER

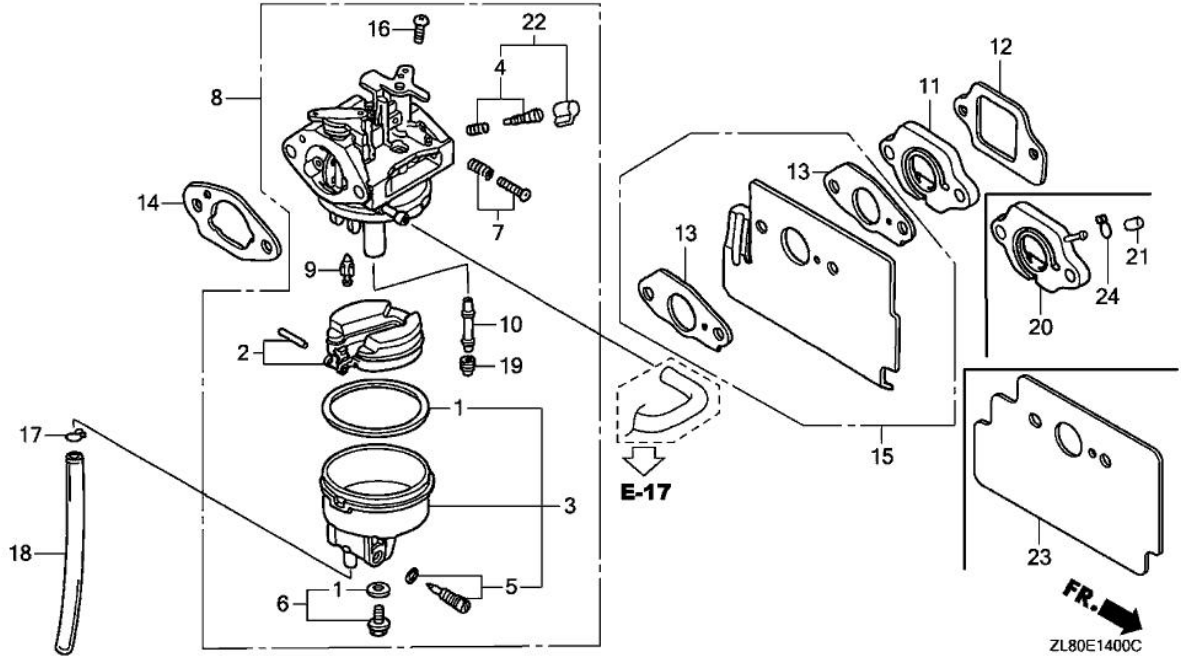


ZL80E1200D

Ref.	Part Number	Part Description	Qty.
001	19611-ZL9-000ZA	COVER, FAN *NH1*(BLACK)	001
002	90041-ZL9-000	BOLT, STUD (H=35.5MM)	002
003	90201-ZM0-000	NUT, FLANGE (6MM)	003
004	19619-ZL8-300	COLLAR, FAN COVER	003
005	90041-ZL9-000	BOLT, STUD (H=35.5MM)	001

TRU-POWER, INC.

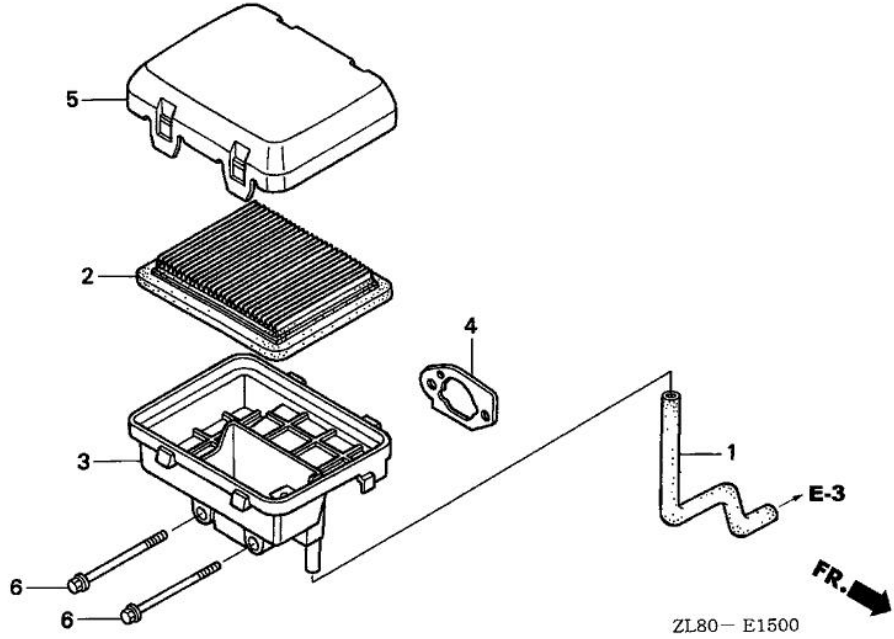
Model Name	GC135	Product Line	GENERAL PURPOSE ENGINE
Mfg		Type	PHA
Section	ENGINE	Illustration	CARBURETOR



Ref.	Part Number	Part Description	Qty.
001	16010-883-015	GASKET SET	001
002	16013-ZL1-003	FLOAT SET	001
003	16015-ZL8-003	CHAMBER SET, FLOAT	001
005	16024-124-760	SCREW SET, DRAIN	001
006	16028-ZE0-005	SCREW SET	001
006	16028-ZK7-S91	SCREW SET	001
007	16029-ZG0-901	SCREW SET (THROTTLE STOP) (CARBURETOR NO.)	001
008	16100-ZL9-804	CARBURETOR ASSY. (BB63B D)	001
009	16155-ZL8-003	VALVE, FLOAT (CARBURETOR NO.)	001
010	16166-ZL9-003	NOZZLE, MAIN	001
011	16211-ZL8-000	INSULATOR, CARBURETOR	001
012	16212-ZL8-000	GASKET, INSULATOR	001
013	16221-883-800	GASKET, CARBURETOR	002
014	16228-ZL8-000	GASKET, CARBURETOR	001
015	19650-ZL9-000	GUIDE, AIR	001
016	93500-05006-0H	SCREW, PAN (5X6)	001
017	95002-02650	CLIP, TUBE (B6.5)	001
018	95003-07008-60M	BULK HOSE, VINYL (4X7X8000) OEM CUT SIZE: (4X7X150)	001
019	99101-124-0550	JET, MAIN (#55)	(1)
019	99101-124-0580	JET, MAIN (#58)	(1)
019	99101-124-0600	JET, MAIN (#60)	001
022	16016-ZG0-W00	SCREW SET (CARBURETOR NO.)	001

TRU-POWER, INC.

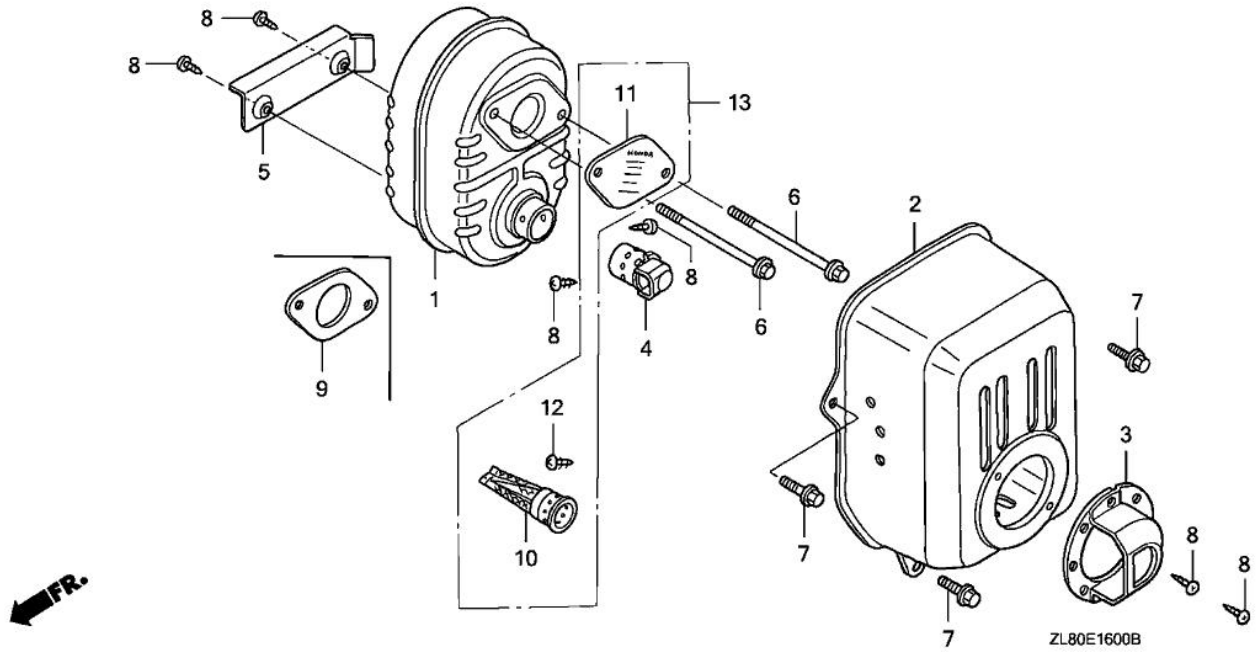
Model Name	GC135	Product Line	GENERAL PURPOSE ENGINE
Mfg		Type	PHA
Section	ENGINE	Illustration	AIR CLEANER (1)



Ref.	Part Number	Part Description	Qty.
001	15721-ZL9-000	TUBE, BREATHER	001
002	17211-ZL8-003	ELEMENT, AIR CLEANER	001
002	17211-ZL8-023	ELEMENT, AIR CLEANER (TOYO ROKI)	001
003	17220-ZL8-000	HOUSING, AIR CLEANER	001
003	17220-ZL8-010	HOUSING, AIR CLEANER	001
003	17220-ZL8-020	HOUSING, AIR CLEANER	001
004	17228-ZL8-000	GASKET, AIR CLEANER	001
005	17231-ZL8-020	COVER, AIR CLEANER	001
006	90003-ZL8-000	BOLT, FLANGE (6X112) (CT200)	002

TRU-POWER, INC.

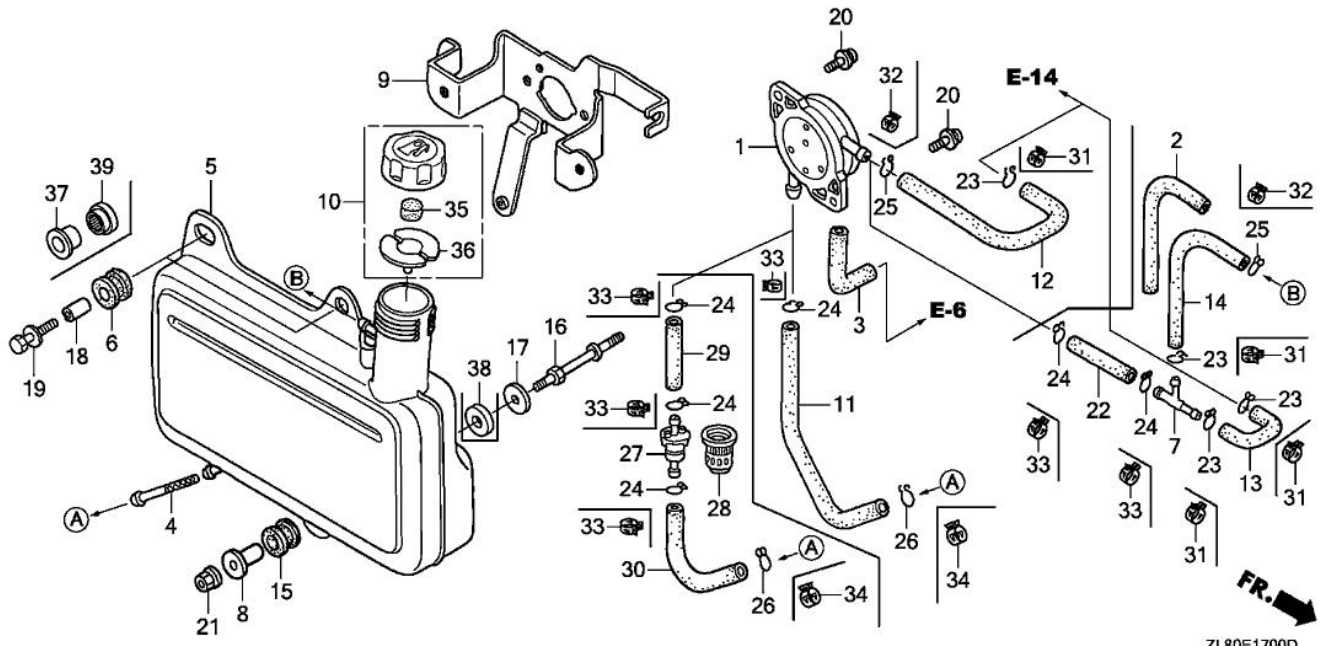
Model Name	GC135	Product Line	GENERAL PURPOSE ENGINE
Mfg		Type	PHA
Section	ENGINE	Illustration	MUFFLER



Ref.	Part Number	Part Description	Qty.
001	18310-ZL9-000	MUFFLER	001
002	18321-ZL8-010	PROTECTOR, MUFFLER	001
005	19664-ZL8-000	SHROUD, MUFFLER	001
006	90004-ZL8-000	BOLT, FLANGE (6X79) (CT200)	002
007	90013-883-000	BOLT, FLANGE (6X12) (CT200)	003
008	90055-ZE1-000	SCREW, TAPPING (4X6)	002
009	18381-ZL8-305	GASKET, MUFFLER	(1)
010	18350-ZL8-000	ARRESTER, SPARK	(1)
011	18356-ZL8-000	PLATE, ARRESTER NUMBER	(1)
012	90055-ZE1-000	SCREW, TAPPING (4X6)	(1)

TRU-POWER, INC.

Model Name	GC135	Product Line	GENERAL PURPOSE ENGINE
Mfg		Type	PHA
Section	ENGINE	Illustration	FUEL TANK - FUEL PUMP

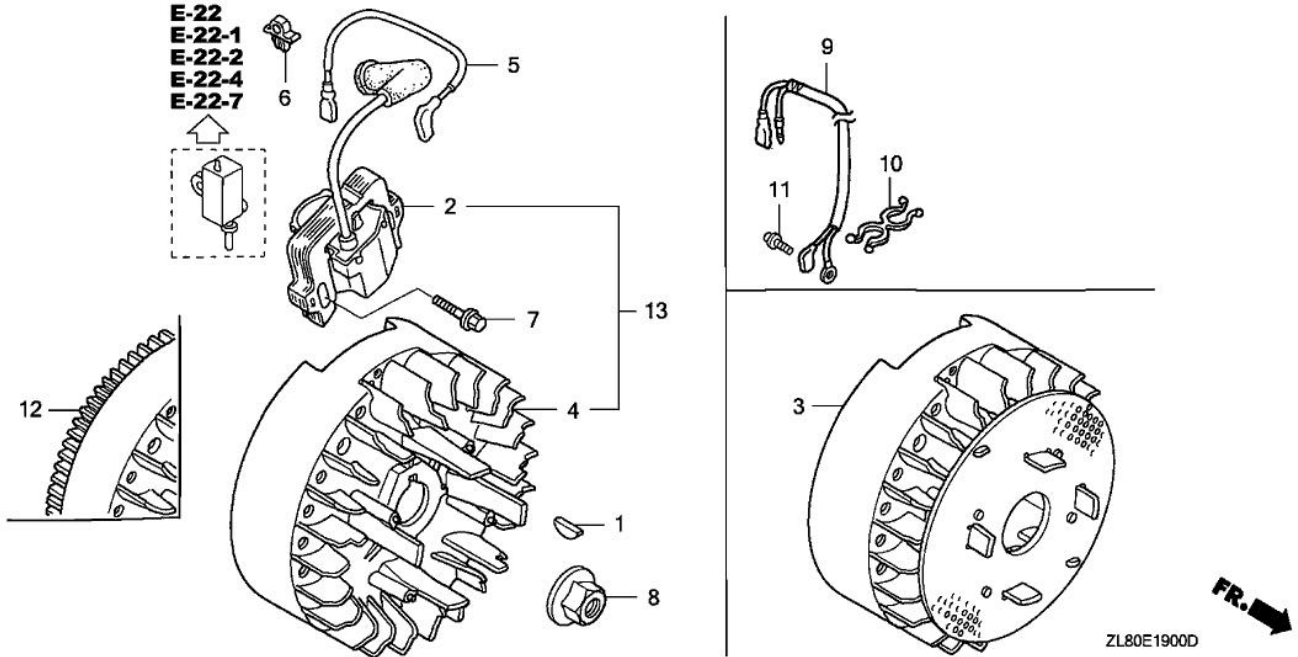


ZL80E1700D

Ref.	Part Number	Part Description	Qty.
001	16700-Z0J-003	PUMP ASSY., FUEL	001
001	16700-ZL8-003	PUMP ASSY., FUEL	001
001	16700-ZL8-013	PUMP ASSY., FUEL	001
003	16882-ZL9-000	TUBE, DIAPHRAGM	001
004	16952-ZA8-800	FILTER, FUEL	001
005	17511-ZL9-000	TANK, FUEL	001
006	17516-ZV0-000	RUBBER B, TANK MOUNTING	002
008	17535-KE7-000	COLLAR, FUEL TANK SETTING	001
009	17561-ZL9-000	STAY A, FUEL TANK	001
010	17620-ZL8-003	CAP ASSY., FUEL TANK	001
010	17620-ZL8-013	CAP ASSY., FUEL TANK	001
010	17620-ZL8-023	CAP ASSY., FUEL TANK	001
011	17701-ZL8-000	TUBE, FUEL TANK	001
012	17702-ZL8-000	TUBE, FUEL	001
015	80103-MG2-000	CUSHION, RR. FENDER	001
016	90041-ZL8-000	BOLT, FUEL TANK STUD (H=30MM)	001
017	90473-896-000	WASHER (6MM)	001
018	90501-KA2-640	COLLAR (14X6.1)	002
019	93404-06025-00	BOLT-WASHER (6X25)	002
020	93894-05014-00	SCREW-WASHER (5X14)	002
021	94050-06000	NUT, FLANGE (6MM)	001
023	95002-02080	CLIP, TUBE (B8)	001
024	95002-02100	CLIP, TUBE (B10)	001
025	95002-50000	CLIP, TUBE (C9)	001
026	95002-70000	CLIP, TUBE (C11)	001
035	17622-ZL8-003	SPONGE, FUEL CAP BREATHER	001
036	17624-ZL8-013	GASKET, FUEL CAP	001

TRU-POWER, INC.

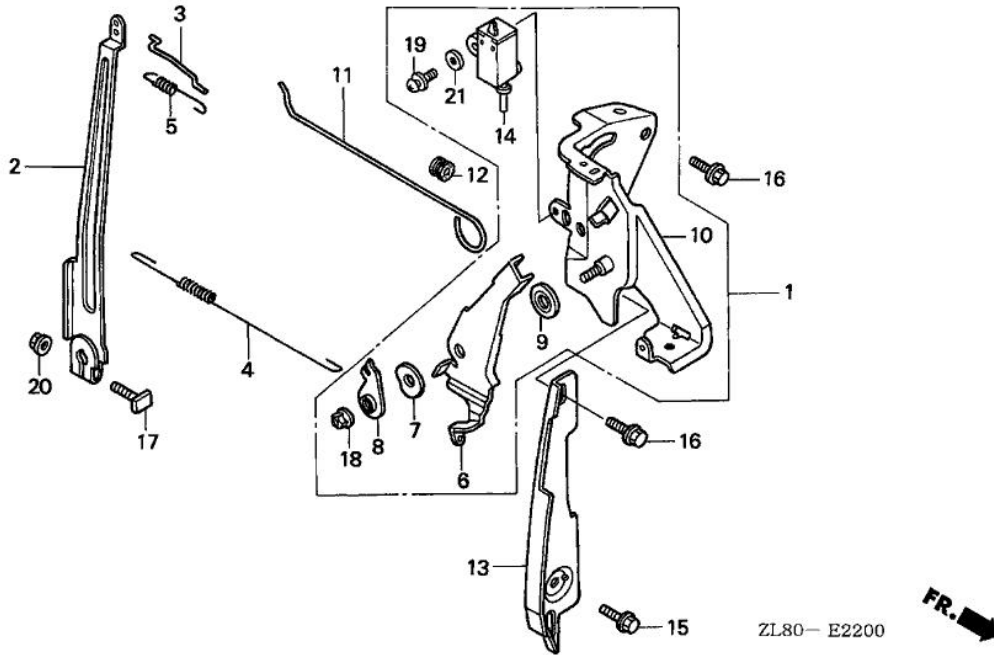
Model Name	GC135	Product Line	GENERAL PURPOSE ENGINE
Mfg		Type	PHA
Section	ENGINE	Illustration	FLYWHEEL - IGNITION COIL



Ref.	Part Number	Part Description	Qty.
001	13331-357-000	KEY, SPECIAL WOODRUFF (25X18)	001
002	30500-ZL8-014	COIL ASSY., IGNITION (USE FOR F/W OF TEC) (TEC)	001
004	31110-ZL9-003	FLYWHEEL COMP. (TEC) (USE FOR IGN. COIL OF TEC) (USE FOR TEC IGNITION COIL)	...
005	32195-ZL8-000	WIRE, STOP SWITCH	001
006	36103-ZE1-000	HOLDER, STOP SWITCH WIRE	001
007	90022-888-010	BOLT, FLANGE (6X20) (CT200)	001
008	90201-878-003	NUT, SPECIAL (14MM)	001

TRU-POWER, INC.

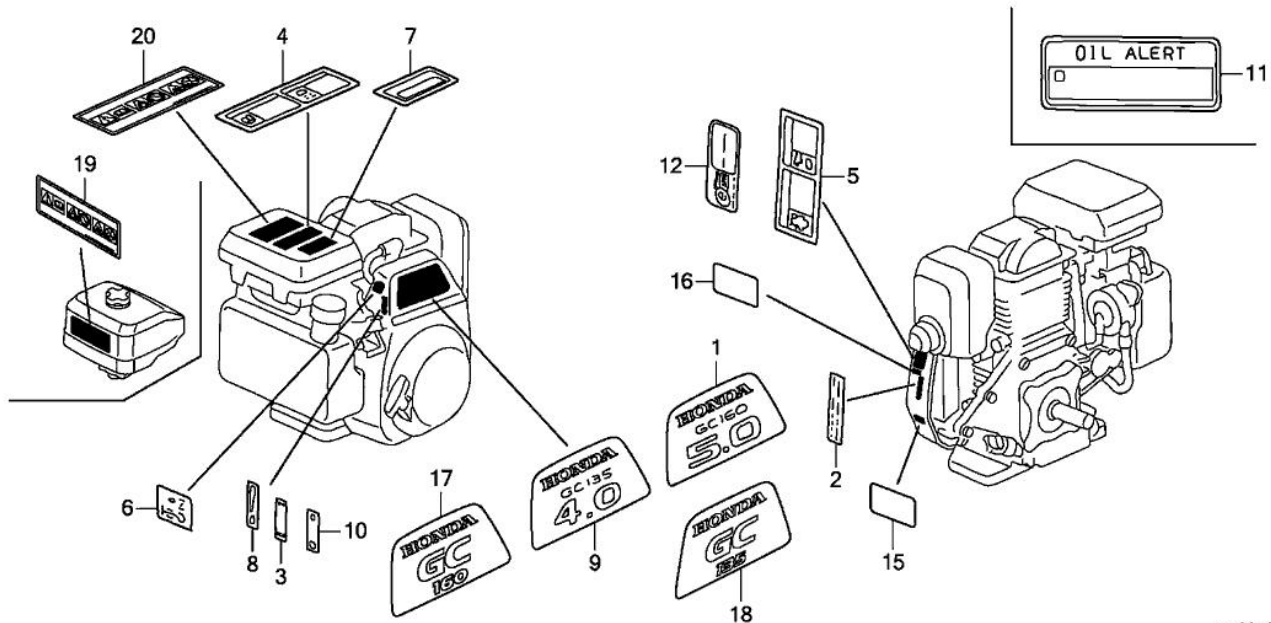
Model Name	GC135	Product Line	GENERAL PURPOSE ENGINE
Mfg		Type	PHA
Section	ENGINE	Illustration	CONTROL (1)



Ref.	Part Number	Part Description	Qty.
001	16500-ZL8-000	CONTROL ASSY.	001
002	16551-ZL9-000	ARM, GOVERNOR	001
003	16555-ZL8-000	ROD, GOVERNOR	001
004	16561-ZL8-000	SPRING, GOVERNOR	001
005	16562-ZL8-000	SPRING, THROTTLE RETURN	001
005	16562-ZL8-800	SPRING, THROTTLE RETURN	001
006	16571-ZL8-000	LEVER, CONTROL	001
007	16574-ZE1-000	SPRING, LEVER	001
008	16575-ZL8-000	WASHER, CONTROL LEVER	001
009	16578-ZE1-000	SPACER, CONTROL LEVER	001
010	16580-ZL8-000	BASE, CONTROL	001
011	16611-ZL8-000	ROD, CHOKE CONTROL	001
012	16613-893-000	GROMMET, CHOKE ROD	001
013	19612-ZL8-000	PLATE, SIDE	001
014	35120-ZL8-003	SWITCH ASSY., ENGINE STOP (N.O)	001
015	90013-883-000	BOLT, FLANGE (6X12) (CT200)	001
016	90014-952-000	BOLT, FLANGE (6X14) (CT200)	002
017	90015-ZE5-010	BOLT, GOVERNOR ARM	001
018	90114-SA0-000	NUT, SELF-LOCK (6MM)	001
019	93892-04012-00	SCREW-WASHER (4X12)	001
020	94050-06000	NUT, FLANGE (6MM)	001
021	94103-04000	WASHER, PLAIN (4MM)	001

TRU-POWER, INC.

Model Name		GC135	Product Line	GENERAL PURPOSE ENGINE
Mfg			Type	PHA
Section	ENGINE	Illustration	LABEL	



ZL80E2800L

Ref.	Part Number	Part Description	Qty.
006	87528-ZL8-000	MARK, CHOKE	001
008	87532-ZL8-800	MARK, THROTTLE INDICATION	001
009	87101-ZL9-000	EMBLEM (GC135 4.0)	001
009	87101-ZL9-010	EMBLEM (GC135 4.0) (NOT AVAILABLE)	001