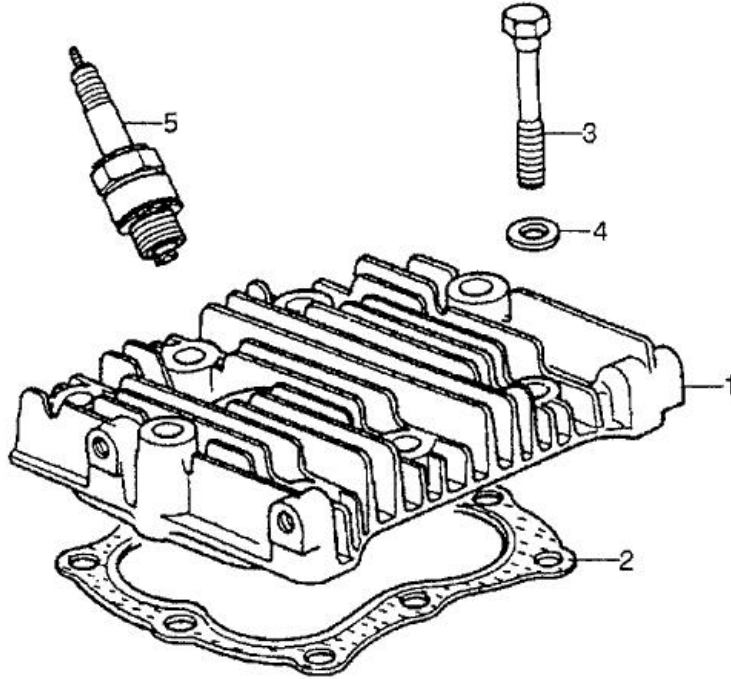
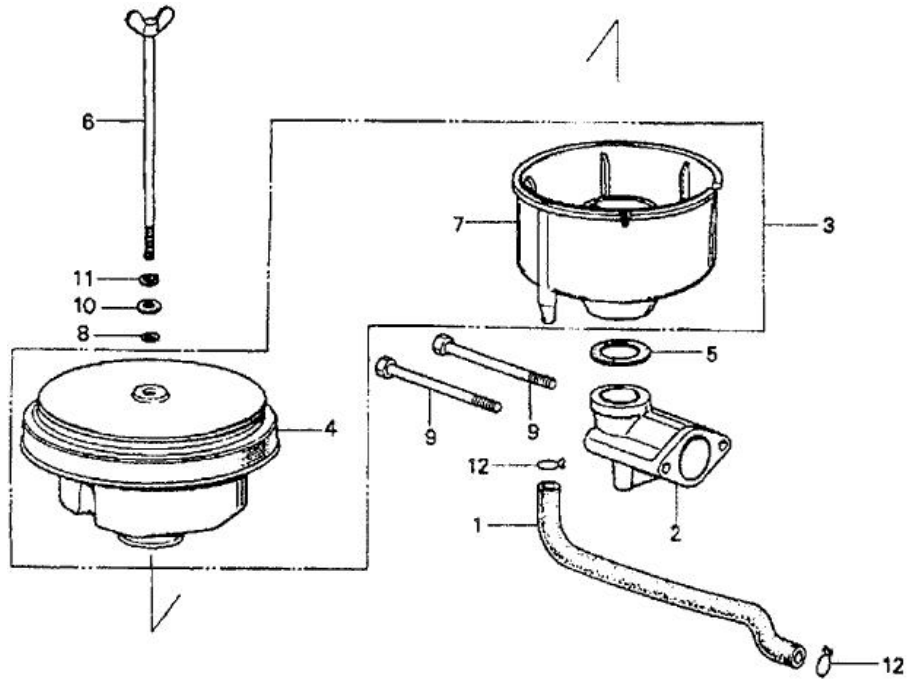


TRU-POWER, INC.

Model Name	G80	Product Line	GENERAL PURPOSE ENGINE
Mfg		Type	RD1
Section	ENGINE	Illustration	CYLINDER HEAD



Ref.	Part Number	Part Description	Qty.
001	12201-874-000	CYLINDER HEAD	001
002	12281-874-000	GASKET, CYLINDER HEAD	001
003	90005-874-000	BOLT, HEX. (10X65)	006
004	90426-035-000	WASHER, MAGNET FIXING	006
005	98076-56740	SPARK PLUG (B6HS) (NGK)	001



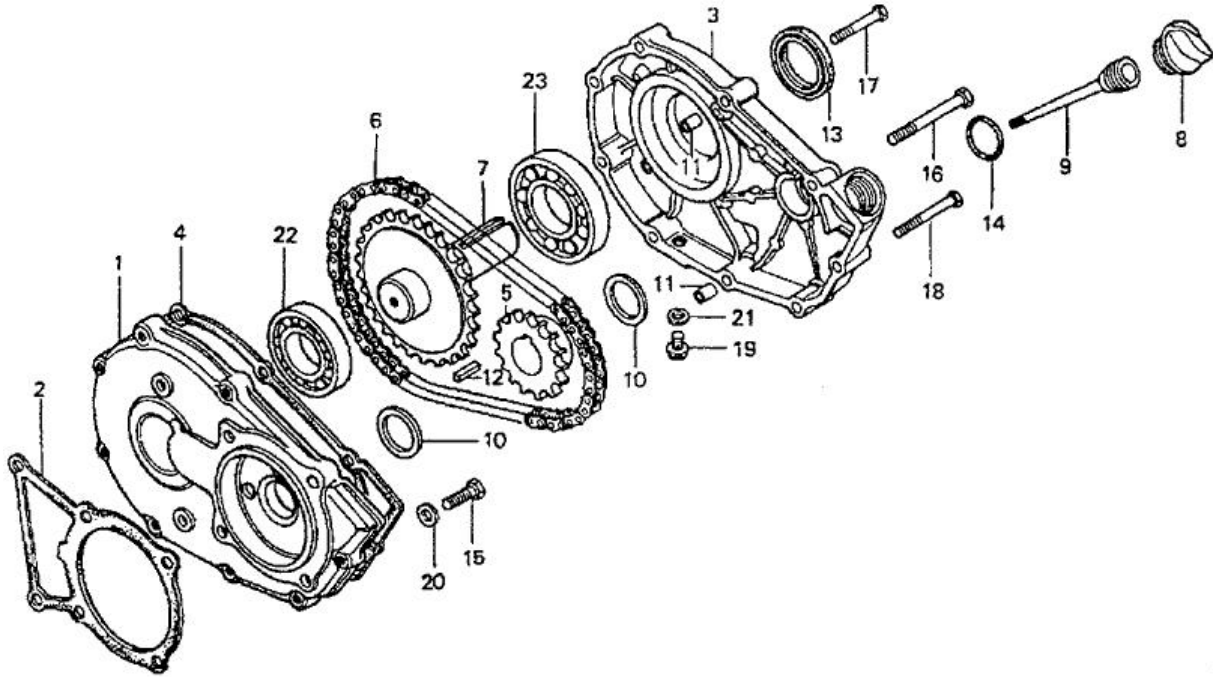
Ref.	Part Number	Part Description	Qty.
001	12381-873-740	TUBE, BREATHER	(1)
002	17251-873-740	ELBOW, AIR CLEANER	(1)
003	17400-873-004XC	AIR CLEANER ASSY., OIL BATH *NH31*(MCKINLEY WHITE)	(1)
004	17401-873-004XC	HOUSING, AIR CLEANER *NH31R*(MCKINLEY WHITE)	(1)
005	17412-873-000	GASKET, IN. ELBOW	(NOT AVAILABLE)
006	17425-865-780	BOLT, AIR CLEANER	(1)
007	17441-704-020	PAN, CLEANER OIL	(1)
007	17441-724-000	PAN, CLEANER OIL	(NOT AVAILABLE)
008	91301-426-010	O-RING (4.9X2.5)	(1)
009	92101-06070-0A	BOLT, HEX. (6X70)	(2)
010	94101-06800	WASHER, PLAIN (6MM)	(1)
011	94111-06000	WASHER, SPRING (6MM)	(2)

Section

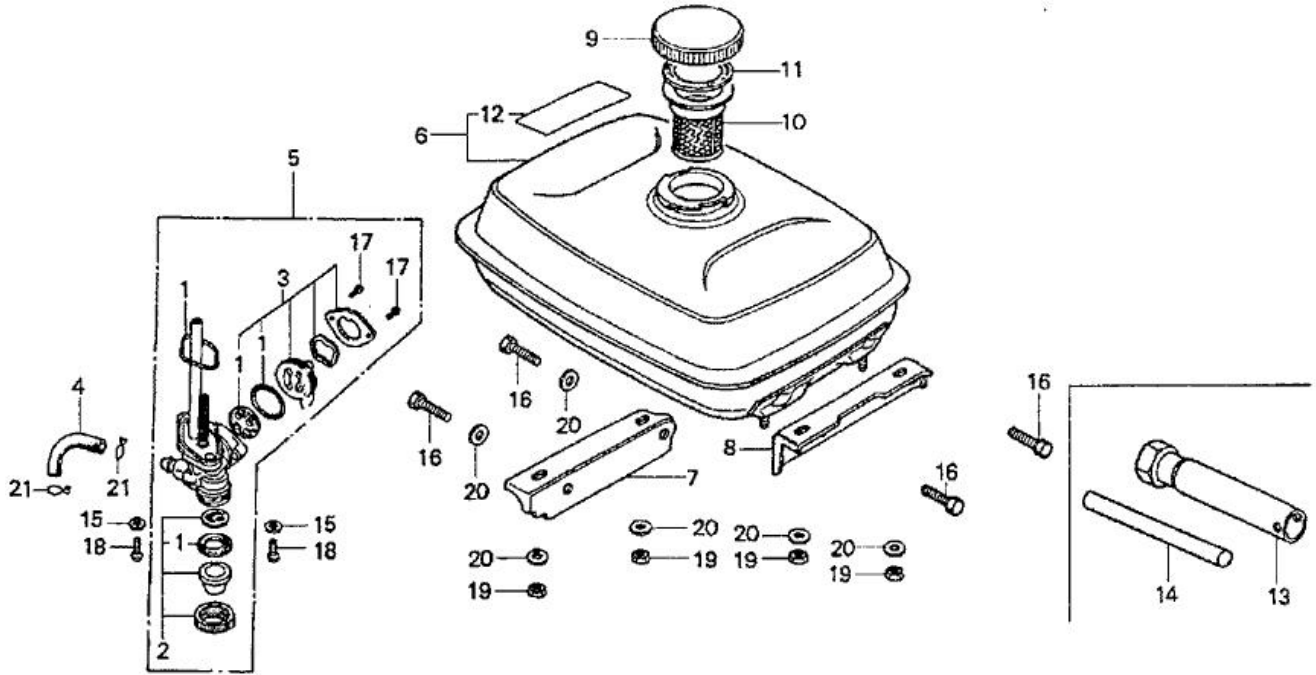
ENGINE

Illustration

1/2 REDUCTION (RD1 TYPE)



Ref.	Part Number	Part Description	Qty.
001	21510-874-900	CASE, REDUCTION	001
002	21591-809-610	GASKET, REDUCTION CASE	(NOT AVAILABLE) 001
003	21610-874-900	COVER, REDUCTION	001
004	21691-809-610	GASKET, REDUCTION COVER	(NOT AVAILABLE) 001
005	23121-874-901	SPROCKET, DRIVE	001
006	23161-874-902	CHAIN, DRIVE (RK428FX38LE)	(NOT AVAILABLE) 001
007	23711-874-900	SHAFT, P.T.O.	001
008	25620-805-612	CAP, REDUCTION OIL (GRAY)	001
009	25651-809-610	DIPSTICK, OIL	001
010	90459-357-000	WASHER C, THRUST (25MM)	002
011	90702-881-000	PIN, DOWEL (8X10)	(NOT AVAILABLE) 002
012	90743-874-900	KEY, DRIVE SPROCKET	001
013	91202-874-901	OIL SEAL (35X50X8)	(NOT AVAILABLE) 001
014	91301-805-000	O-RING (26X2.7)	001
015	92101-08025-0A	BOLT, HEX. (8X25)	005
016	92101-08065-0A	BOLT, HEX. (8X65)	001
017	92018-06040	BOLT, HEX. (6X40)	007
018	92101-06045-0A	BOLT, HEX. (6X45)	001
019	92800-12000	BOLT, DRAIN PLUG (12MM)	001
020	94102-08000	WASHER, PLAIN (8MM)	005
021	94109-12000	WASHER, DRAIN PLUG (12MM)	001
022	96100-62060-00	BEARING, RADIAL BALL (6206)	001
023	96100-62070-00	BEARING, RADIAL BALL (6207)	001
023	96100-62073-00	BEARING, RADIAL BALL (6207)	001



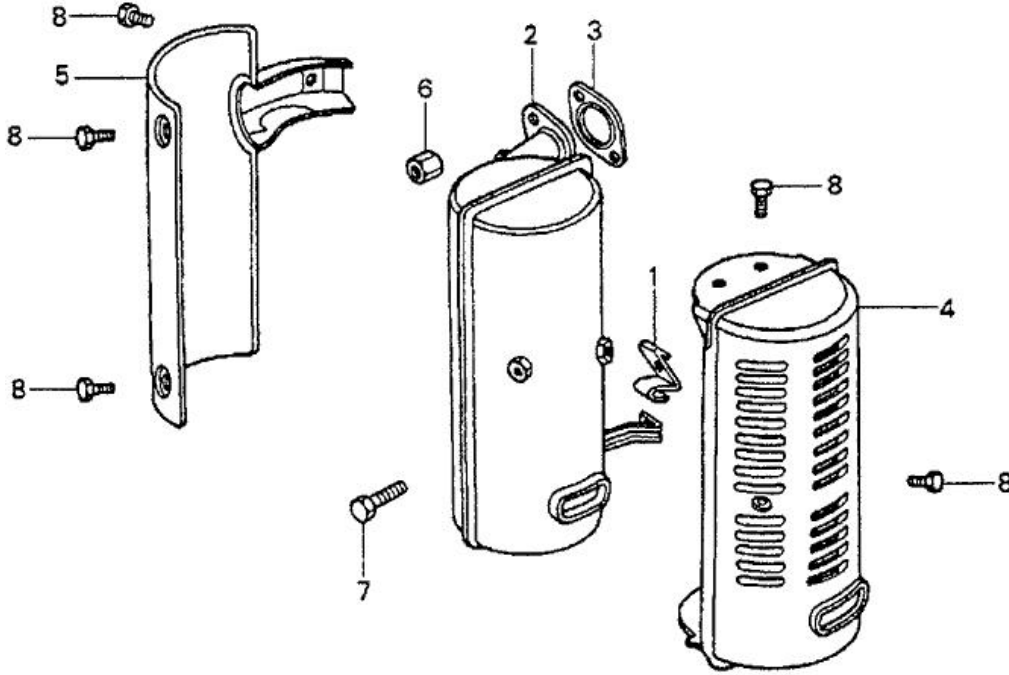
Ref.	Part Number	Part Description	Qty.
001	16080-865-005	GASKET SET, VALVE	001
002	16081-865-015	CUP SET, STRAINER	001
003	16082-843-005	LEVER SET, VALVE	(NOT AVAILABLE) 001
004	16851-873-000	TUBE, FUEL	(NOT AVAILABLE) 001
005	16950-865-055	PETCOCK ASSY.	001
006	17500-873-660XC	TANK, FUEL *NH31*(MCKINLEY WHITE)	(NOT AVAILABLE) 001
007	17505-873-000H	STAY A, FUEL TANK *R8*(BRIGHT RED)	001
008	17506-873-000H	STAY B, FUEL TANK *R8*(BRIGHT RED)	001
009	17650-805-750	CAP, FUEL TANK	(NOT AVAILABLE) 001
010	17672-703-020	FILTER, FUEL	(NOT AVAILABLE) 001
011	17673-703-030	GASKET, FUEL FILTER	(NOT AVAILABLE) 001
012	87522-836-670	MARK A, CAUTION	001
013	89216-809-000	WRENCH, SPARK PLUG	001
014	89219-805-000	HANDLE, BOX WRENCH	001
015	90445-700-000	GASKET, FIBER (6MM)	002
016	92101-08025-0A	BOLT, HEX. (8X25)	004
017	93500-03008-0A	SCREW, PAN (3X8)	002
018	93500-06016-0A	SCREW, PAN (6X16)	002
019	94001-08000-0S	NUT, HEX. (8MM)	004
020	94102-08000	WASHER, PLAIN (8MM)	008
021	95002-02120	CLIP, TUBE (B12)	002

Section

ENGINE

Illustration

MUFFLER



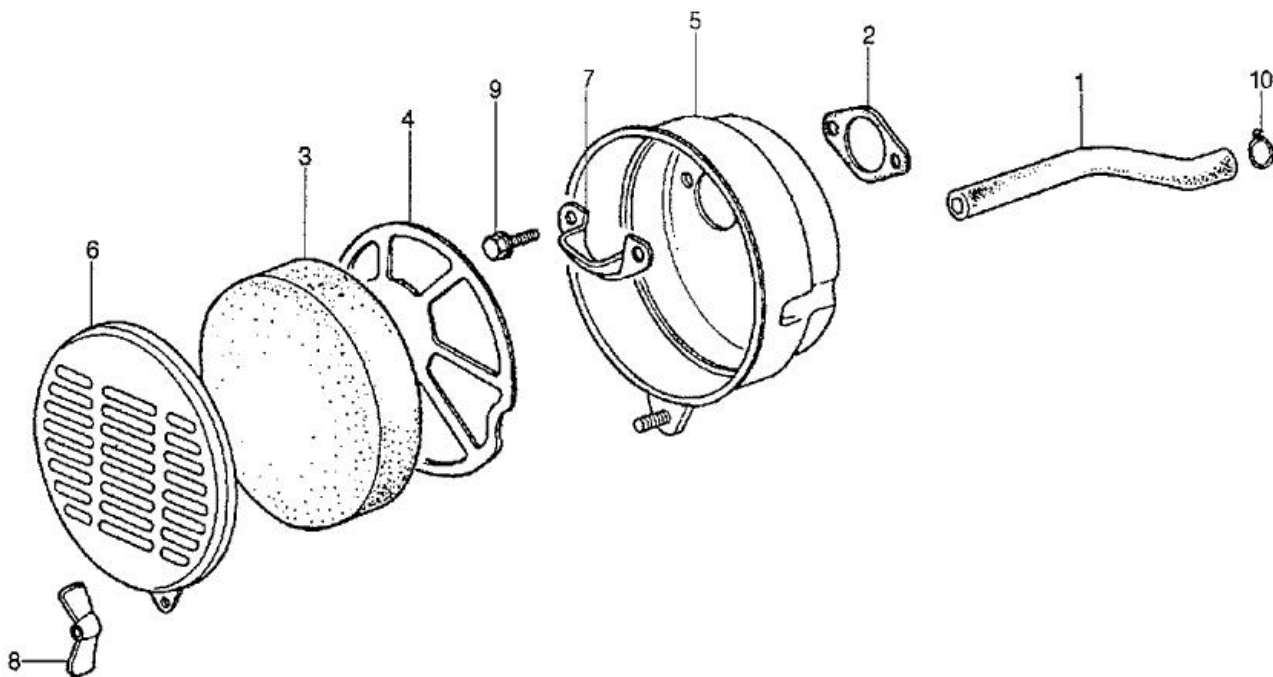
Ref.	Part Number	Part Description	Qty.
001	16591-823-740	HOLDER, THROTTLE CABLE (NOT AVAILABLE)	001
002	18300-874-000	MUFFLER (NOT AVAILABLE)	001
003	18351-809-000	GASKET, MUFFLER	001
004	18361-874-000	PROTECTOR, MUFFLER (NOT AVAILABLE)	001
005	18363-873-630	SEPARATOR, MUFFLER (NOT AVAILABLE)	001
006	90381-703-000	NUT, HEX. (6MM) (NOT AVAILABLE)	002
007	92101-08018-0A	BOLT, HEX. (8X18)	001
008	93101-06006-0B	BOLT, HEX. (6X6)	006

Section

ENGINE

Illustration

AIR CLEANER (1)



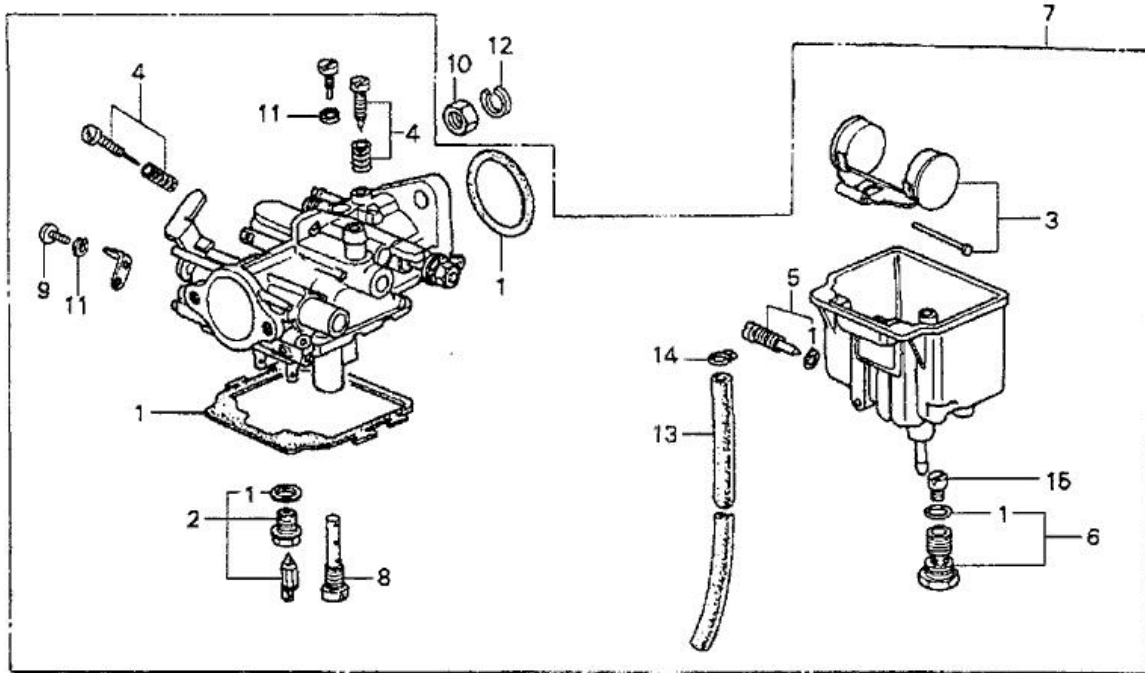
Ref.	Part Number	Part Description	Qty.
001	12381-873-000	TUBE, BREATHER (NOT AVAILABLE)	001
002	16269-823-000	GASKET, AIR CLEANER (NOT AVAILABLE)	001
003	17211-823-680	ELEMENT, AIR CLEANER	001
004	17212-810-000	GRID, CLEANER	001
005	17220-873-000H	HOUSING, AIR CLEANER *R8*(BRIGHT RED) (NOT AVAILABL...	001
006	17231-873-000H	COVER, AIR CLEANER *R8*(BRIGHT RED) (NOT AVAILABLE)	001
007	17235-873-000	PLATE, BAFFLE (NOT AVAILABLE)	001
008	90325-044-000	NUT, TOOL BOX SETTING	001
009	92101-06012	BOLT, HEX. (6X12)	002
009	92101-06012-0A	BOLT, HEX. (6X12)	002
009	95701-06012-08	BOLT, FLANGE (6X12)	002
010	95002-02130	CLIP, TUBE (B12.5)	001

Section

ENGINE

Illustration

CARBURETOR



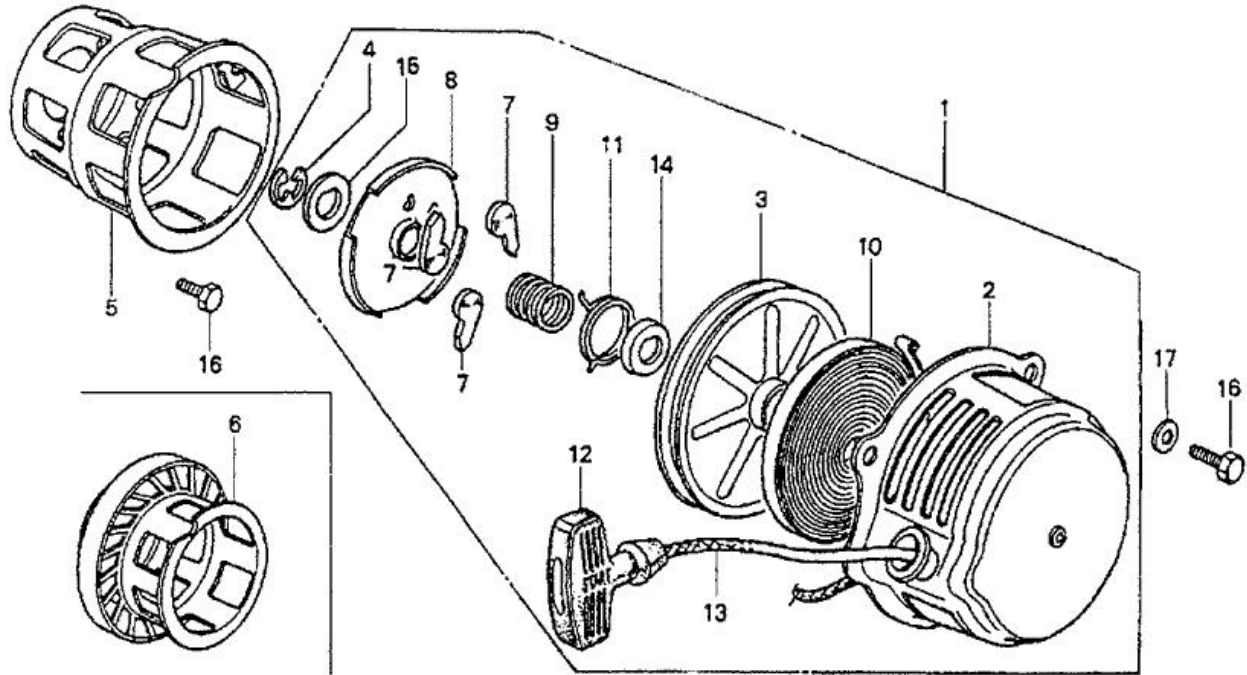
Ref.	Part Number	Part Description	Qty.
001	16010-873-004	GASKET SET	001
002	16011-866-004	VALVE SET, FLOAT	001
003	16013-862-004	FLOAT SET	(NOT AVAILABLE)
004	16016-873-004	SCREW SET A	(NOT AVAILABLE)
005	16024-124-004	SCREW SET, DRAIN	(NOT AVAILABLE)
006	16028-862-004	SCREW SET B	(NOT AVAILABLE)
007	16100-874-004	CARBURETOR ASSY.	(NOT AVAILABLE)
008	16166-874-004	NOZZLE, MAIN	(NOT AVAILABLE)
009	93500-03007-0A	SCREW, PAN (3X7)	(NOT AVAILABLE)
010	94001-06000-0S	NUT, HEX. (6MM)	002
010	94001-06200-0S	NUT, HEX. (6MM)	002
011	94111-03000	WASHER, SPRING (3MM)	002
012	94111-06800	WASHER, SPRING (6MM)	002
013	95001-35003-60M	BULK HOSE, FUEL (3.5X3000) OEM CUT SIZE: (3.5X150)	001
014	95002-02070	CLIP, TUBE (B7)	001
015	99101-862-0900	JET, MAIN (#90)	(NOT AVAILABLE)

Section

ENGINE

Illustration

RECOIL STARTER



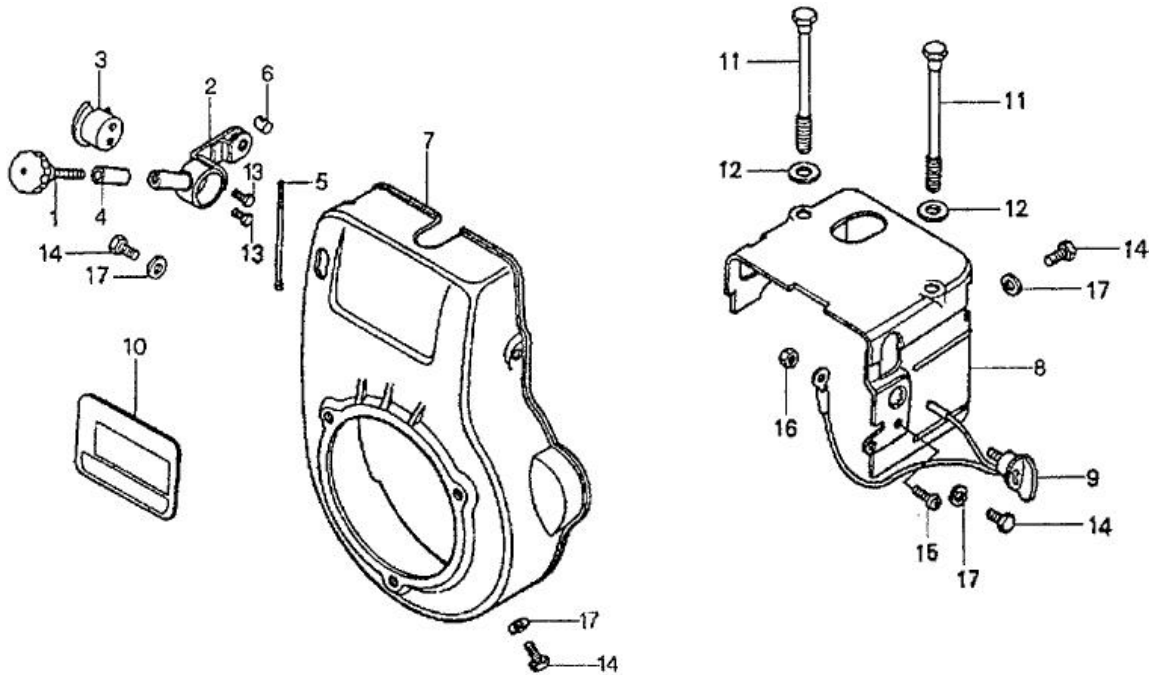
Ref.	Part Number	Part Description	Qty.
001	28400-873-661H	STARTER ASSY., RECOIL *R8*(BRIGHT RED) (N/A: SEE COM...	001
002	28410-873-810H	CASE, RECOIL STARTER *R8*(BRIGHT RED)	001
003	28420-873-003	PULLEY, RECOIL STARTER (NOT AVAILABLE)	001
004	28423-809-810	E-RING (NOT AVAILABLE)	001
006	28430-873-661	PULLEY, STARTER (NOT AVAILABLE)	001
007	28441-822-810	RATCHET, STARTER	003
008	28445-822-650	PLATE, FRICTION	001
009	28446-809-810	SPRING, FRICTION (NOT AVAILABLE)	001
010	28451-809-810	SPRING, STARTER RETURN (NOT AVAILABLE)	001
011	28455-822-810	SPRING SET (NOT AVAILABLE)	001
012	28461-823-810	KNOB, STARTER	001
013	28471-809-810	ROPE, STARTER (#6X64")	001
014	90481-809-810	WASHER A (NOT AVAILABLE)	001
015	90482-809-810	WASHER B	001
016	92101-06012	BOLT, HEX. (6X12)	006
016	92101-06012-0A	BOLT, HEX. (6X12)	006
017	94101-06800	WASHER, PLAIN (6MM)	003

Section

ENGINE

Illustration

FAN COVER - SIDE COVER



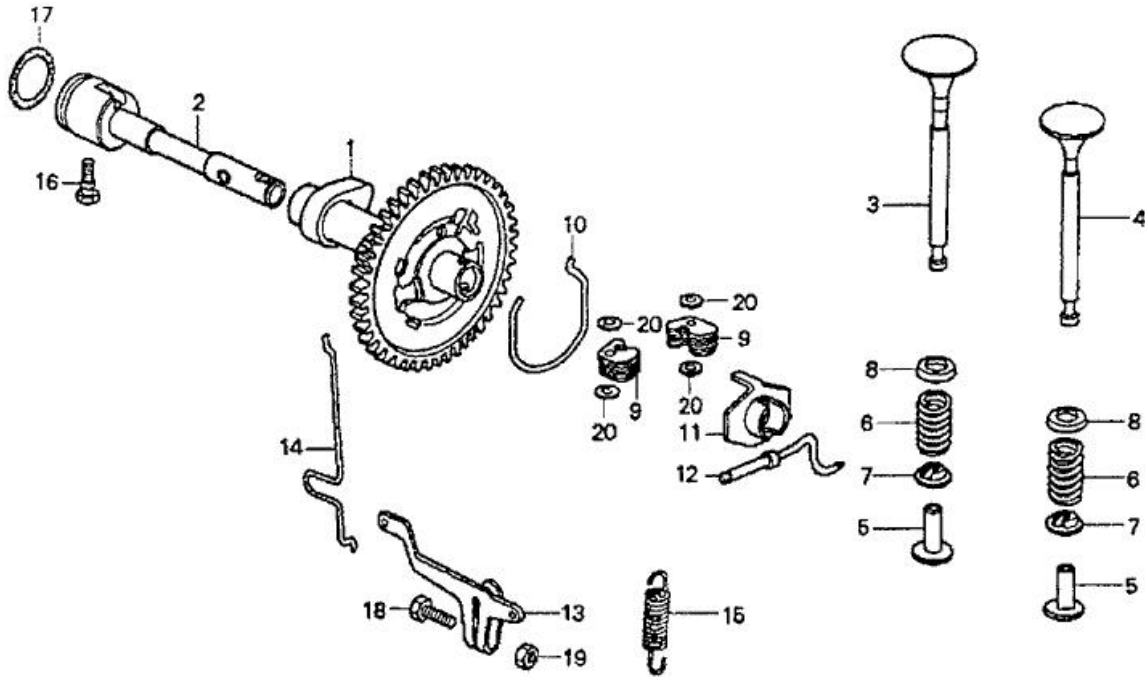
Ref.	Part Number	Part Description	Qty.
001	16561-865-000	SCREW, GOVERNOR ADJUST (NOT AVAILABLE)	001
002	16571-823-000	LEVER, CONTROL (NOT AVAILABLE)	001
003	16572-874-000	SHAFT, CONTROL (NOT AVAILABLE)	001
004	16574-823-000	BUSH, CONTROL (NOT AVAILABLE)	001
005	16575-823-000	ROD, ADJUSTING	001
006	16579-823-000	JOINT, ADJUSTING ROD (NOT AVAILABLE)	001
007	19600-874-000H	COVER, FAN *R8*(BRIGHT RED) (NOT AVAILABLE)	001
008	19611-874-000H	COVER, SIDE *R8*(BRIGHT RED)	001
009	36100-865-003	SWITCH ASSY., ENGINE STOP	001
010	87521-874-660	PLATE, DESCRIPTION (NOT AVAILABLE)	001
011	90006-874-000	BOLT, HEX. (10X76)	002
012	90426-035-000	WASHER, MAGNET FIXING	002
013	92101-05008-0A	BOLT, HEX. (5X8)	002
014	92101-06012	BOLT, HEX. (6X12)	006
014	92101-06012-0A	BOLT, HEX. (6X12)	006
015	93500-05008-0A	SCREW, PAN (5X8)	001
015	93500-05008-0H	SCREW, PAN (5X8)	001
016	94001-05000-0S	NUT, HEX. (5MM)	001
016	94001-05080-0S	NUT, HEX. (5MM)	001
017	94101-06800	WASHER, PLAIN (6MM)	006

Section

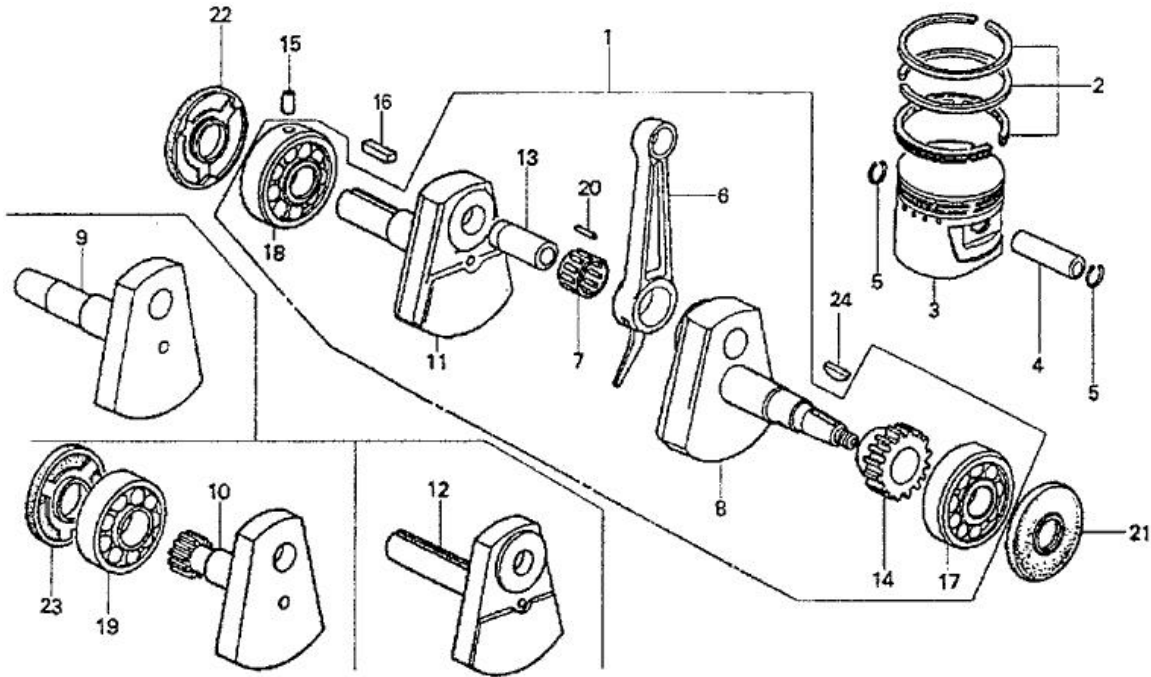
ENGINE

Illustration

CAMSHAFT



Ref.	Part Number	Part Description	Qty.
001	14101-873-000	CAMSHAFT (NOT AVAILABLE)	001
002	14210-823-010	CENTER, CAMSHAFT	001
003	14711-874-000	VALVE, IN. (NOT AVAILABLE)	001
004	14721-874-000	VALVE, EX. (NOT AVAILABLE)	001
005	14731-809-010	LIFTER, VALVE (NOT AVAILABLE)	002
006	14751-873-000	SPRING, VALVE (NOT AVAILABLE)	002
007	14771-883-305	RETAINER, VALVE SPRING	002
008	14775-809-000	SEAT, SPRING (NOT AVAILABLE)	002
009	16511-805-000	WEIGHT, GOVERNOR	012
010	16515-805-000	CENTER, GOVERNOR WEIGHT (NOT AVAILABLE)	001
011	16521-823-000	SLIDER, GOVERNOR (NOT AVAILABLE)	001
012	16535-823-000	SHAFT, GOVERNOR ARM (NOT AVAILABLE)	001
013	16541-809-030	ARM, GOVERNOR	001
014	16545-874-000	ROD, GOVERNOR	001
015	16551-806-000	SPRING, GOVERNOR	001
016	90008-809-000	BOLT, CAMSHAFT CENTER STOPPER (NOT AVAILABLE)	001
017	91318-PA9-003	O-RING (23.5X2.1) (ARAI)	001
018	92101-06016-0A	BOLT, HEX. (6X16)	001
019	94001-06000-0S	NUT, HEX. (6MM)	001
019	94001-06200-0S	NUT, HEX. (6MM)	001
020	94101-03000	WASHER, PLAIN (3MM)	004



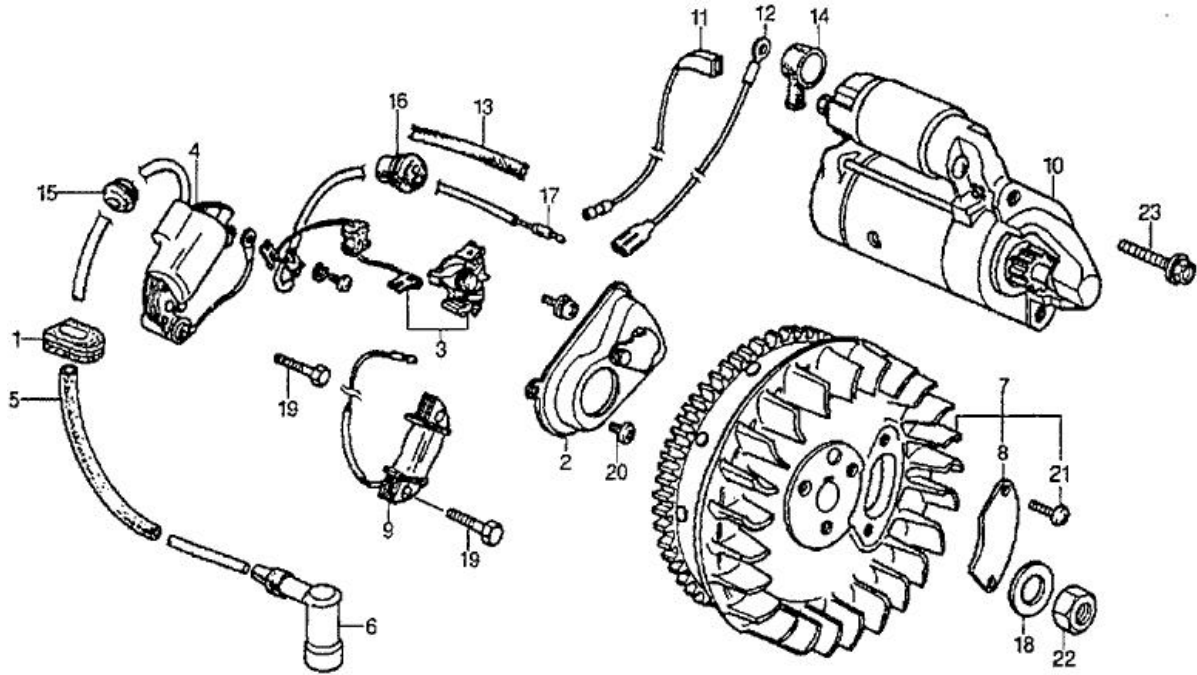
Ref.	Part Number	Part Description	Qty.
001	13000-874-000	CRANKSHAFT (NOT AVAILABLE)	001
002	13010-874-000	RING SET, PISTON (STD) (NOT AVAILABLE)	001
002	13011-874-000	RING SET, PISTON (OVER SIZE) (0.25) (NOT AVAILABLE)	(1)
002	13012-874-000	RING SET, PISTON (OVER SIZE) (0.50) (NOT AVAILABLE)	(1)
002	13013-874-000	RING SET, PISTON (OVER SIZE) (0.75) (NOT AVAILABLE)	(1)
003	13101-874-000	PISTON (STD) (NOT AVAILABLE)	001
003	13102-874-000	PISTON (OVER SIZE) (0.25) (NOT AVAILABLE)	(1)
003	13103-874-000	PISTON (OVER SIZE) (0.50) (NOT AVAILABLE)	(1)
003	13104-874-000	PISTON (OVER SIZE) (0.75) (NOT AVAILABLE)	(1)
004	13111-809-010	PIN, PISTON (NOT AVAILABLE)	001
005	94601-19000	CLIP, PISTON PIN (19MM)	002
006	13201-874-300	ROD, CONNECTING (NOT AVAILABLE)	001
007	13211-809-000	RETAINER, ROLLER	001
008	13311-874-300	CRANKSHAFT, R.	001
012	13321-874-300	CRANKSHAFT, L.	001
013	13381-809-010	PIN, CRANK (N/A: SEE ASSEMBLY)	001
014	14311-823-000	GEAR, TIMING	001
015	90705-259-020	PIN, KNOCK (7X12) (NOT AVAILABLE)	001
017	91001-809-003	BEARING, RADIAL BALL (6306S) (NOT AVAILABLE)	001
018	91002-874-003	BEARING, SPECIAL BALL (6306S6HS) (NOT AVAILABLE)	001
020	91101-809-020	ROLLER, ROD (3X16)	024
021	91201-809-003	OIL SEAL (30759) (NOT AVAILABLE)	001
022	91202-809-003	OIL SEAL (PJ30779)	001
024	94401-25180	KEY, WOODRUFF (25X18)	001

Section

ENGINE

Illustration

POINTS - IGNITION COIL - FLYWHEEL



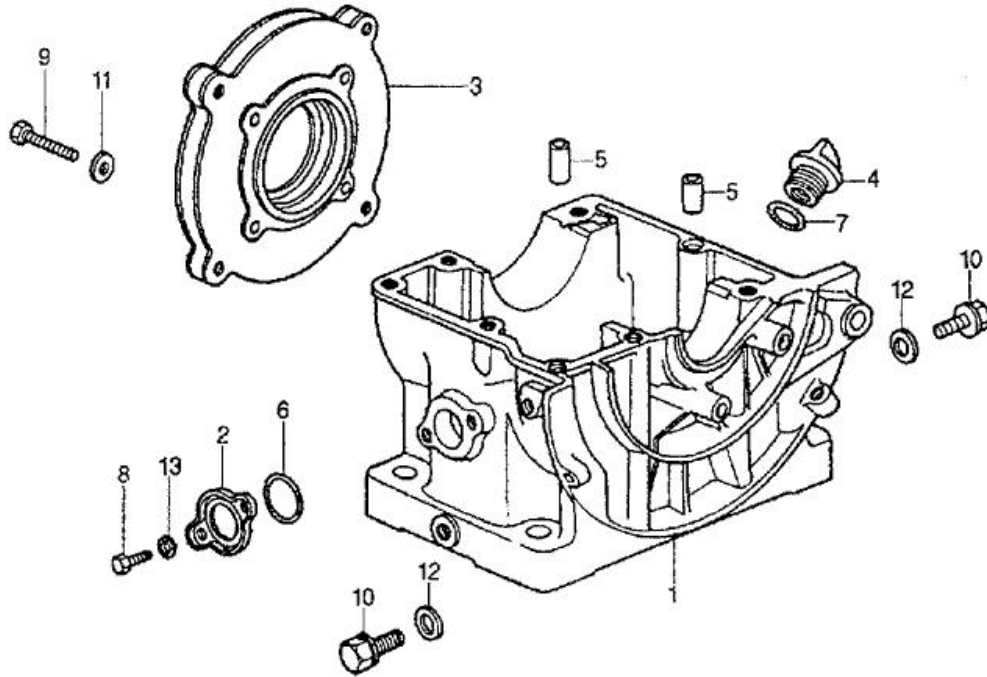
Ref.	Part Number	Part Description	Qty.
001	19905-ZA8-701	GROMMET, CORD	001
002	30210-823-010	COVER, POINT	001
003	30280-873-000	POINTS ASSY.	001
004	30560-873-013	COIL, IGNITION (KOKUSAN)	(NOT AVAILABLE)
005	30565-873-000	TUBE, IGNITION RUBBER	(NOT AVAILABLE)
006	30700-865-013	CAP ASSY., NOISE SUPPRESSOR	001
006	30700-KE2-942	CAP ASSY., NOISE SUPPRESSOR	001
007	31121-874-000	MAGNETO, FLYWHEEL	001
008	31125-822-000	COVER, FLYWHEEL WINDOW	(NOT AVAILABLE)
015	32951-703-000	GROMMET, WIRE	001
016	32951-874-000	GROMMET, WIRE	001
018	90408-822-010	WASHER (14MM)	(NOT AVAILABLE)
019	92101-06028-0A	BOLT, HEX. (6X28)	002
020	93500-05006-0A	SCREW, PAN (5X6)	002
021	93500-05008-0A	SCREW, PAN (5X8)	002
022	94001-14000-0S	NUT, HEX. (14MM)	001

Section

ENGINE

Illustration

OIL PAN



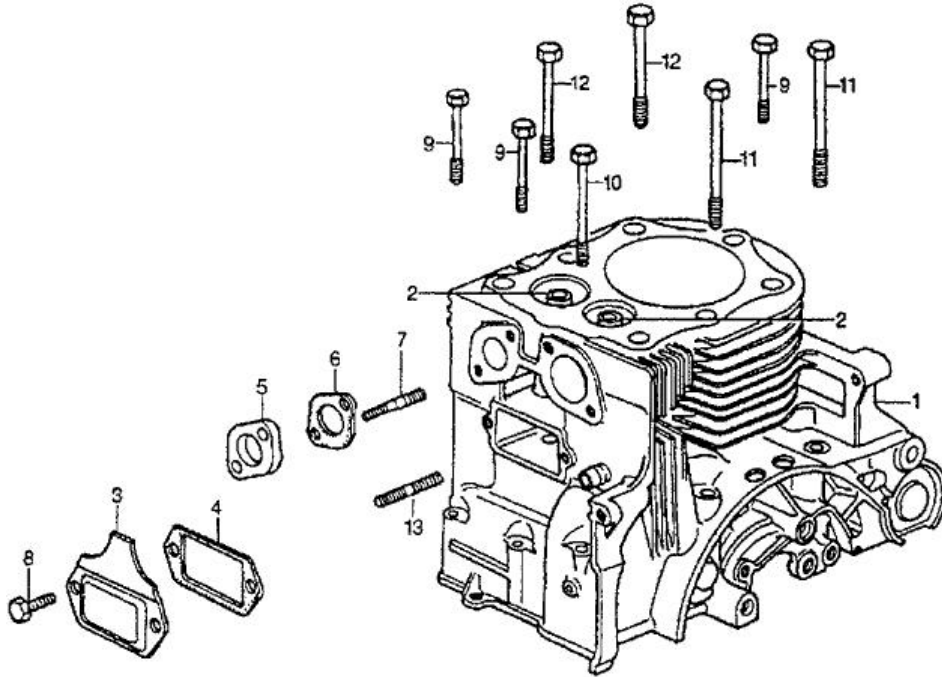
Ref.	Part Number	Part Description	Qty.
001	11200-874-000	PAN, OIL	001
002	11210-822-010	COVER, OIL PAN HOLE	001
004	15611-921-000	CAP, OIL (YELLOW)	001
005	90701-200-000	PIN, KNOCK (8.5X11)	(NOT AVAILABLE)
006	91301-028-000	O-RING (27X2.0)	001
007	91301-805-000	O-RING (26X2.7)	001
008	92101-06012	BOLT, HEX. (6X12)	002
008	92101-06012-0A	BOLT, HEX. (6X12)	002
010	92800-12000	BOLT, DRAIN PLUG (12MM)	002
012	94109-12000	WASHER, DRAIN PLUG (12MM)	002
013	94111-06000	WASHER, SPRING (6MM)	002

Section

ENGINE

Illustration

CYLINDER



Ref.	Part Number	Part Description	Qty.
001	12100-874-000	CYLINDER	001
002	12236-874-305	GUIDE, VALVE (OVER SIZE)	(2)
003	12361-874-000	COVER, TAPPET	001
004	15719-823-000	GASKET, TAPPET COVER	001
005	16211-823-000	INSULATOR, CARBURETOR	001
006	16229-823-000	GASKET, CARBURETOR INSULATOR	001
007	90062-822-701	BOLT, STUD (8X39)	002
008	92101-06012	BOLT, HEX. (6X12)	002
008	92101-06012-0A	BOLT, HEX. (6X12)	002
009	92000-06063-0A	BOLT, HEX. (6X63)	003
010	92101-06090-0A	BOLT, HEX. (6X90)	001
011	92000-08100-0A	BOLT, HEX. (8X100)	002
012	92022-08080-0A	BOLT, HEX. (8X80)	002
013	92700-06032-0B	BOLT, STUD (6X32)	002