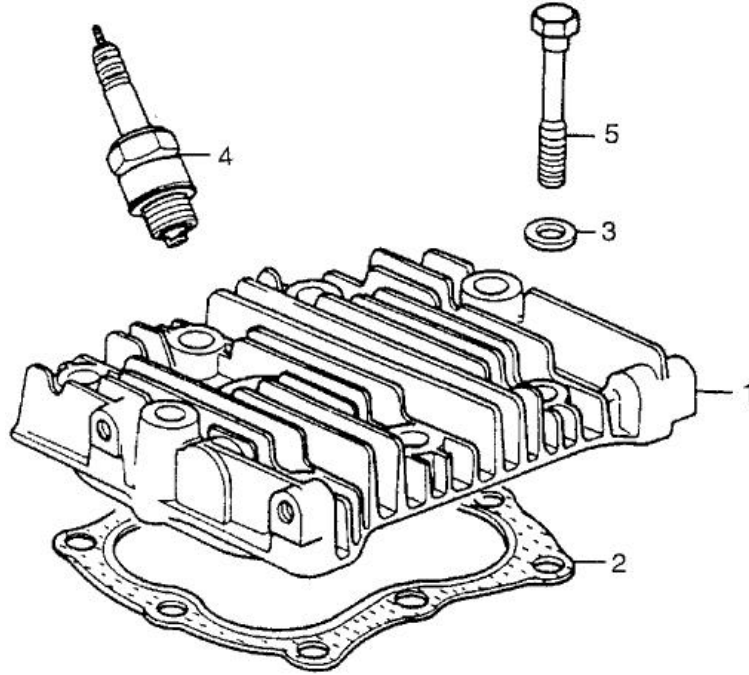


# TRU-POWER, INC.

<b>Model Name</b>	<b>G65K2</b>	<b>Product Line</b>	<b>GENERAL PURPOSE ENGINE</b>
<b>Mfg</b>		<b>Type</b>	<b>Q3</b>
<b>Section</b>	<b>ENGINE</b>	<b>Illustration</b>	<b>GK2/GSK2 CYLINDER HEAD</b>



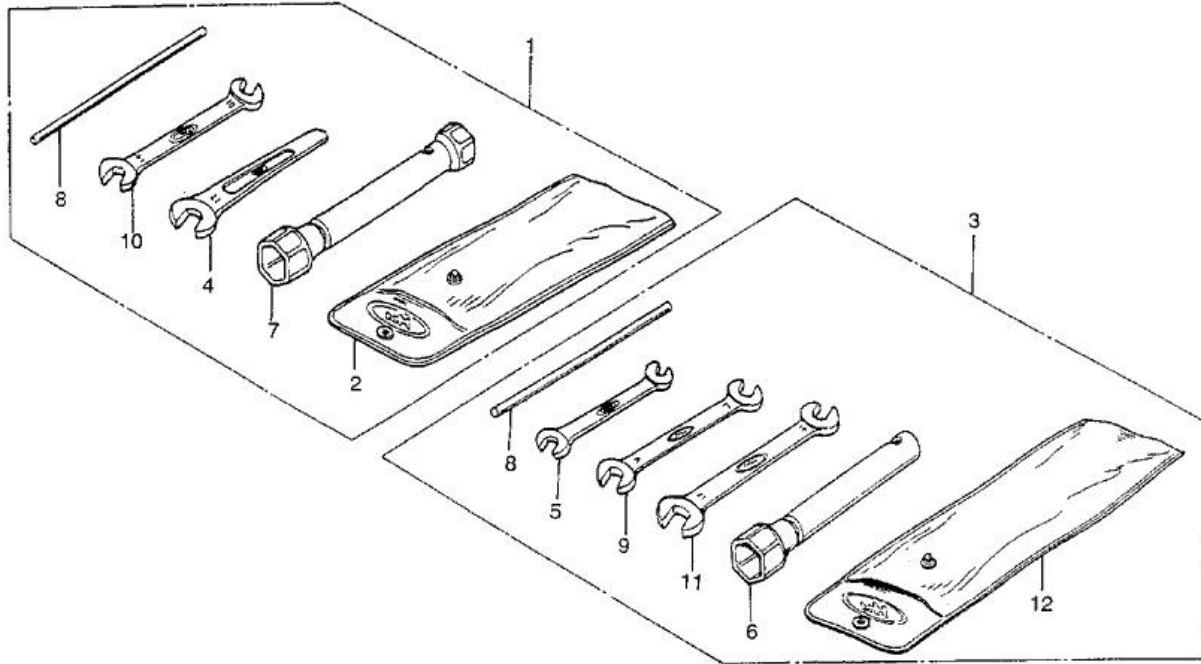
Ref.	Part Number	Part Description	Qty.
001	12201-873-000	CYLINDER HEAD	001
002	12251-823-000	GASKET, CYLINDER HEAD	001
003	90402-822-000	WASHER, HEAD (8MM)	006
004	98076-56740	SPARK PLUG (B6HS) (NGK)	001
004	98076-56741	SPARK PLUG (B6HS) (NGK)	001
005	95125-08045	BOLT, HEX. (8X45)	006

Section

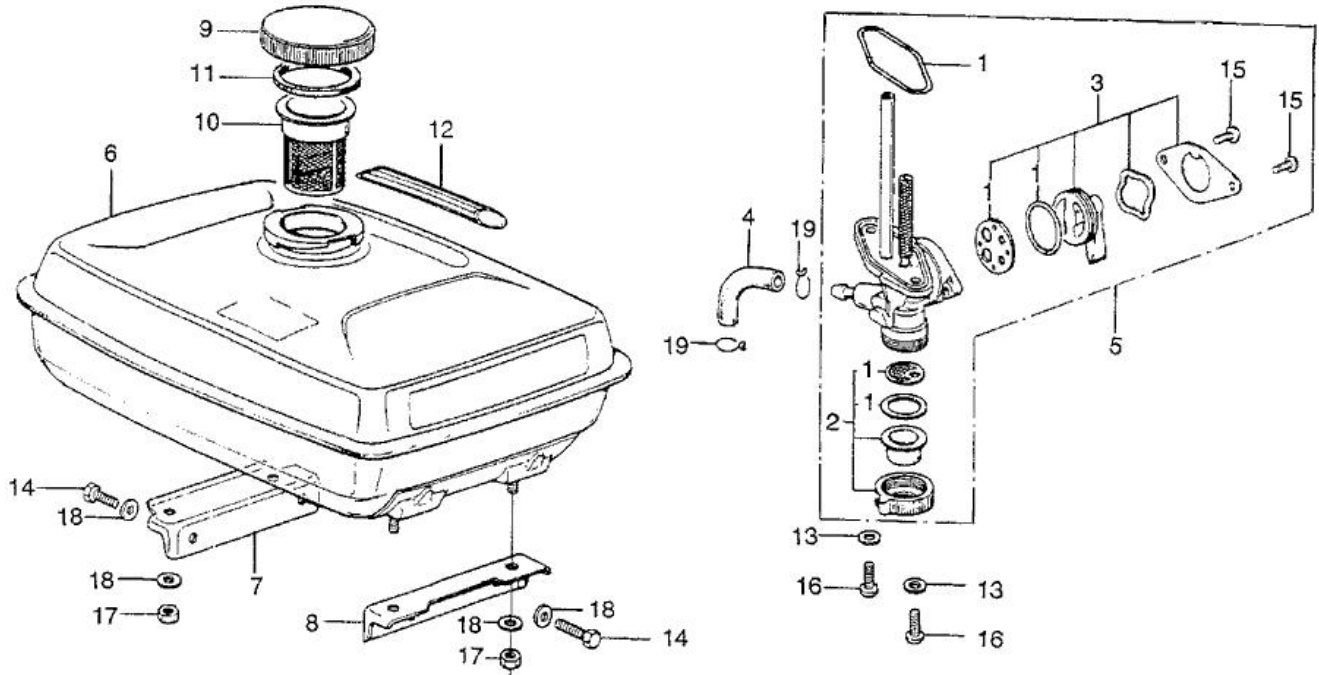
ENGINE

Illustration

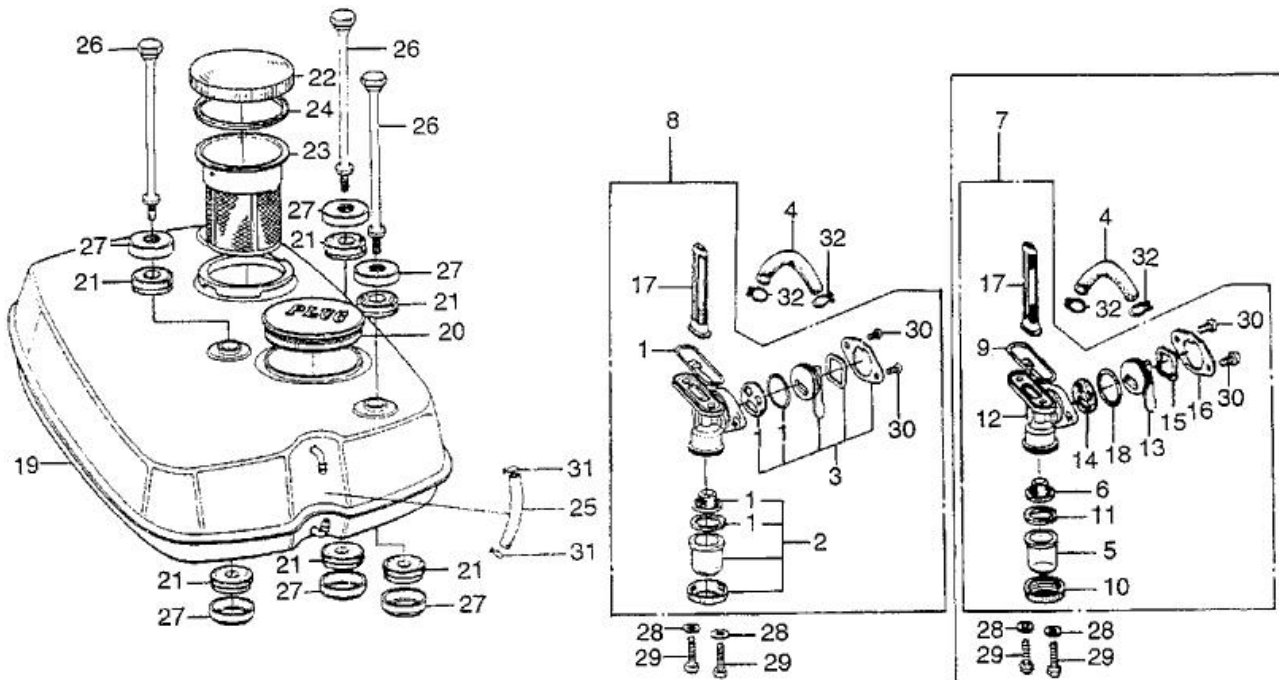
TOOLS



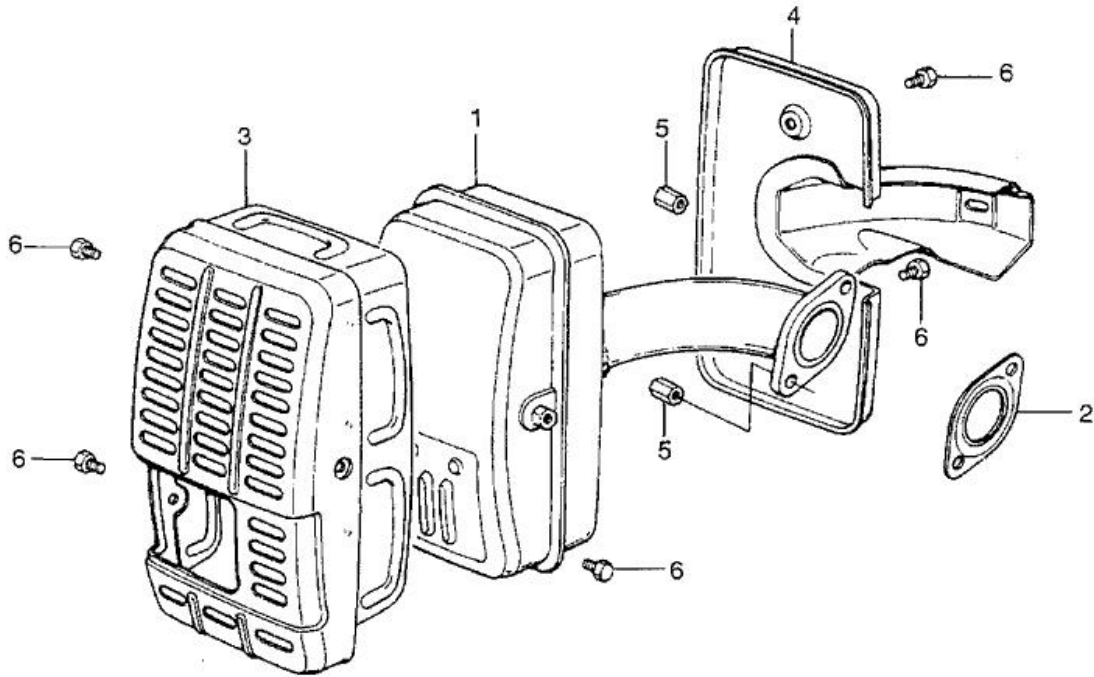
Ref.	Part Number	Part Description	Qty.
003	89000-865-000	TOOL KIT	001
003	89000-875-000	TOOL KIT	001
005	89215-700-000	WRENCH (8X9)	001
006	89216-829-010	WRENCH, SPARK PLUG	(NOT AVAILABLE) 001
008	89219-805-000	HANDLE, BOX WRENCH	001
009	99001-10120	SPANNER (10X12)	001
011	99001-14170	SPANNER (14X17)	001
012	89101-ME5-670	BAG, TOOL	001



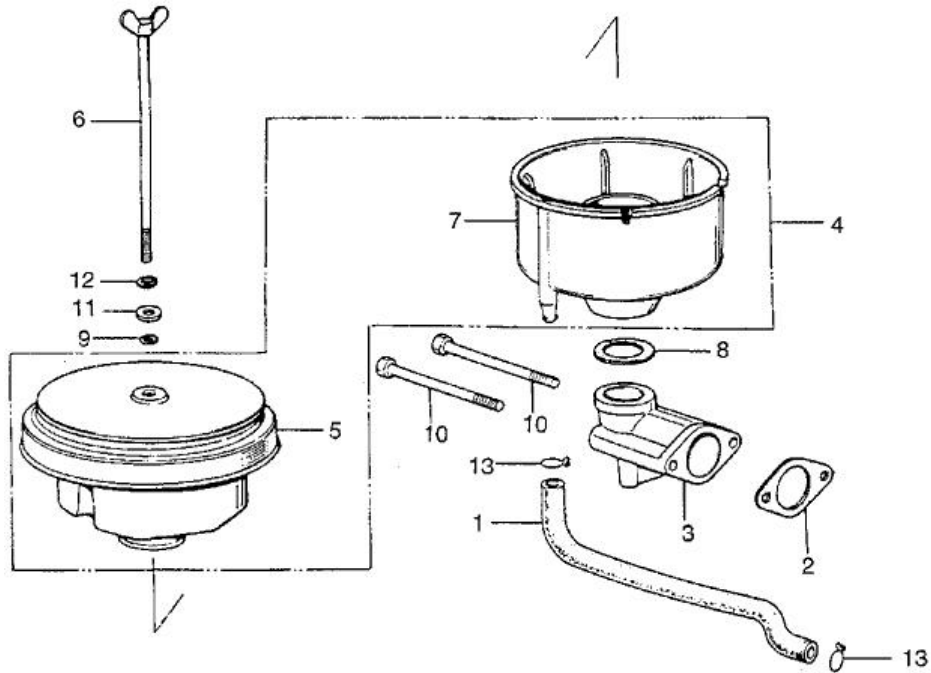
Ref.	Part Number	Part Description	Qty.
001	16080-865-005	GASKET SET, VALVE	001
002	16081-865-015	CUP SET, STRAINER	001
003	16082-843-005	LEVER SET, VALVE	(NOT AVAILABLE) 001
004	16851-873-000	TUBE, FUEL	(NOT AVAILABLE) 001
005	16950-865-701	PETCOCK ASSY.	(NOT AVAILABLE) 001
006	17500-873-660XC	TANK, FUEL *NH31*(MCKINLEY WHITE)	(NOT AVAILABLE) 001
007	17505-873-000H	STAY A, FUEL TANK *R8*(BRIGHT RED)	001
008	17506-873-000H	STAY B, FUEL TANK *R8*(BRIGHT RED)	001
009	17650-805-750	CAP, FUEL TANK	(NOT AVAILABLE) 001
010	17672-703-020	FILTER, FUEL	(NOT AVAILABLE) 001
011	17673-703-030	GASKET, FUEL FILTER	(NOT AVAILABLE) 001
012	87522-836-670	MARK A, CAUTION	001
013	90445-700-000	GASKET, FIBER (6MM)	002
014	92101-08025-0A	BOLT, HEX. (8X25)	004
015	93500-03008-0A	SCREW, PAN (3X8)	002
016	93500-06016-0A	SCREW, PAN (6X16)	002
017	94001-08000-0S	NUT, HEX. (8MM)	004
018	94102-08000	WASHER, PLAIN (8MM)	008
019	95002-02120	CLIP, TUBE (B12)	002



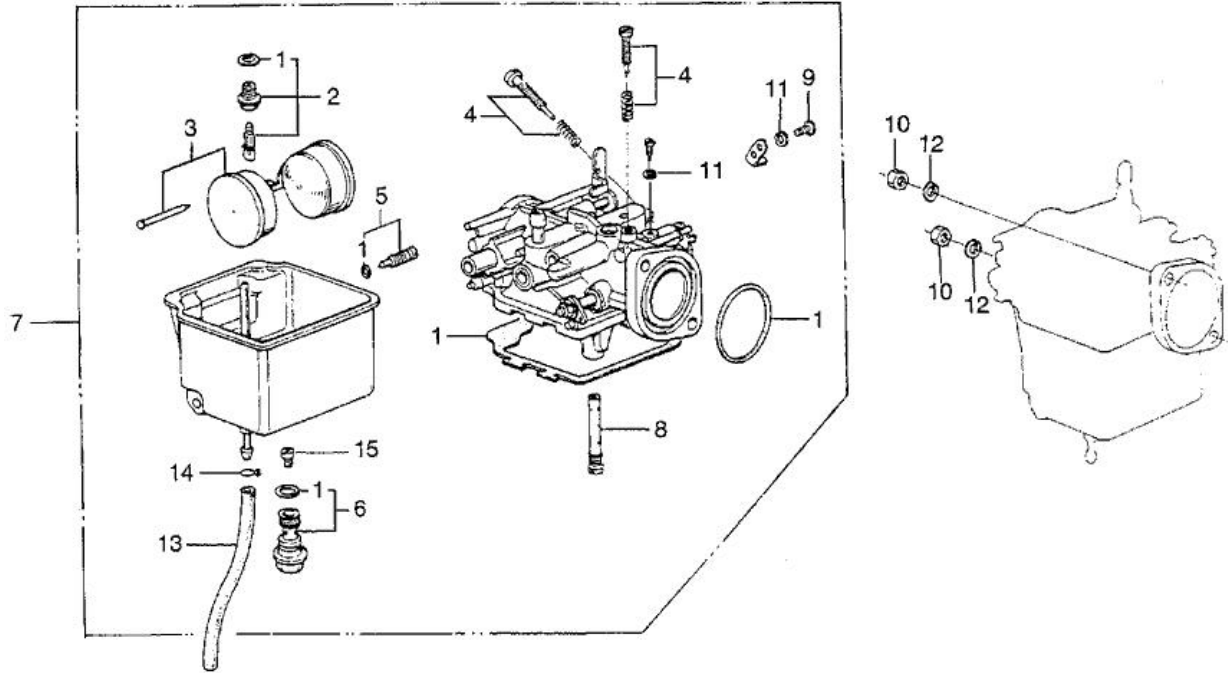
Ref.	Part Number	Part Description	Qty.
025	17681-822-000	TUBE, FUEL LEVEL	001



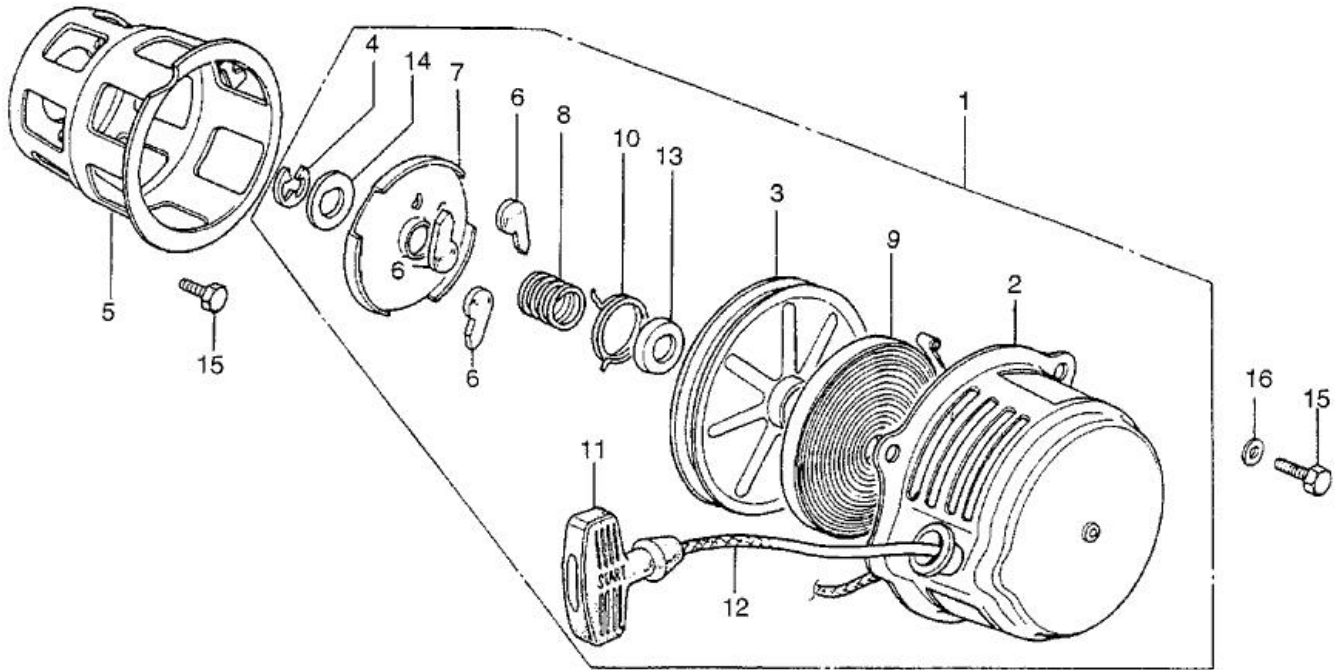
Ref.	Part Number	Part Description	Qty.
001	18300-873-000	MUFFLER (NOT AVAILABLE)	001
002	18351-809-000	GASKET, MUFFLER	001
003	18361-865-020	PROTECTOR, MUFFLER	001
004	18363-873-000	SEPARATOR, MUFFLER	001
005	90381-703-000	NUT, HEX. (6MM) (NOT AVAILABLE)	002
006	93101-06006-0B	BOLT, HEX. (6X6)	006



Ref.	Part Number	Part Description	Qty.
001	12381-873-740	TUBE, BREATHER	001
002	16269-823-000	GASKET, AIR CLEANER	(NOT AVAILABLE) 001
003	17251-873-740	ELBOW, AIR CLEANER	001
004	17400-873-004XC	AIR CLEANER ASSY., OIL BATH *NH31*(MCKINLEY WHITE)	001
004	17400-873-505	AIR CLEANER ASSY., OIL BATH	(NOT AVAILABLE) 001
005	174A0-889-000	BODY KIT, AIR CLEANER	(NOT AVAILABLE) 001
006	17425-865-780	BOLT, AIR CLEANER	001
007	17441-724-000	PAN, CLEANER OIL	(NOT AVAILABLE) 001
008	17475-709-000	GASKET, AIR CLEANER	(NOT AVAILABLE) 001
009	91301-426-010	O-RING (4.9X2.5)	001
010	92101-06070-0A	BOLT, HEX. (6X70)	002
011	94101-06800	WASHER, PLAIN (6MM)	001
012	94111-06000	WASHER, SPRING (6MM)	001
013	95002-02130	CLIP, TUBE (B12.5)	002



Ref.	Part Number	Part Description	Qty.
001	16010-873-004	GASKET SET	001
002	16011-866-004	VALVE SET, FLOAT	001
003	16013-862-004	FLOAT SET	(NOT AVAILABLE) 001
004	16016-873-004	SCREW SET A	(NOT AVAILABLE) 001
005	16024-124-004	SCREW SET, DRAIN	(NOT AVAILABLE) 001
006	16028-862-004	SCREW SET B	(NOT AVAILABLE) 001
007	16100-873-004	CARBURETOR ASSY.	(NOT AVAILABLE) 001
008	16166-873-004	NOZZLE, MAIN	(NOT AVAILABLE) 001
009	93500-03007-0A	SCREW, PAN (3X7)	(NOT AVAILABLE) 001
010	94001-06000-0S	NUT, HEX. (6MM)	002
010	94001-06200-0S	NUT, HEX. (6MM)	002
011	94111-03000	WASHER, SPRING (3MM)	002
012	94111-06000	WASHER, SPRING (6MM)	002
013	95001-35003-60M	BULK HOSE, FUEL (3.5X3000) OEM CUT SIZE: (3.5X150)	001
014	95002-02070	CLIP, TUBE (B7)	001
015	99101-862-0920	JET, MAIN (#92)	(NOT AVAILABLE) 001



Ref.	Part Number	Part Description	Qty.
001	28400-873-661H	STARTER ASSY., RECOIL *R8*(BRIGHT RED) (N/A: SEE COM...	001
002	28410-873-810H	CASE, RECOIL STARTER *R8*(BRIGHT RED)	001
003	28420-873-003	PULLEY, RECOIL STARTER (NOT AVAILABLE)	001
004	28423-809-810	E-RING (NOT AVAILABLE)	001
005	28430-873-661	PULLEY, STARTER (NOT AVAILABLE)	001
006	28441-822-810	RATCHET, STARTER	003
007	28445-822-650	PLATE, FRICTION	001
008	28446-809-810	SPRING, FRICTION (NOT AVAILABLE)	001
009	28451-809-810	SPRING, STARTER RETURN (NOT AVAILABLE)	001
010	28455-822-810	SPRING SET (NOT AVAILABLE)	001
011	28461-823-810	KNOB, STARTER	001
012	28471-809-810	ROPE, STARTER (#6X64")	001
013	90481-809-810	WASHER A (NOT AVAILABLE)	001
014	90482-810-810	WASHER B (NOT AVAILABLE)	001
015	92101-06012	BOLT, HEX. (6X12)	006
015	92101-06012-0A	BOLT, HEX. (6X12)	006
016	94101-06800	WASHER, PLAIN (6MM)	003

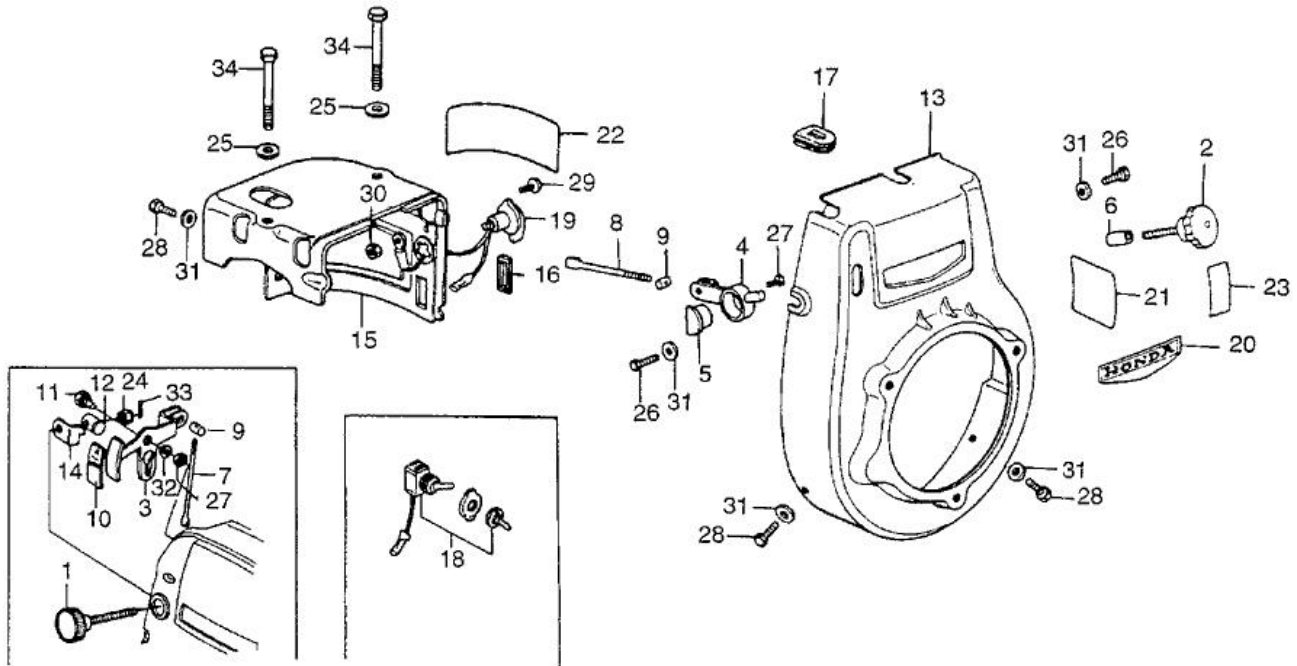


Section

ENGINE

Illustration

FAN COVER - SIDE COVER



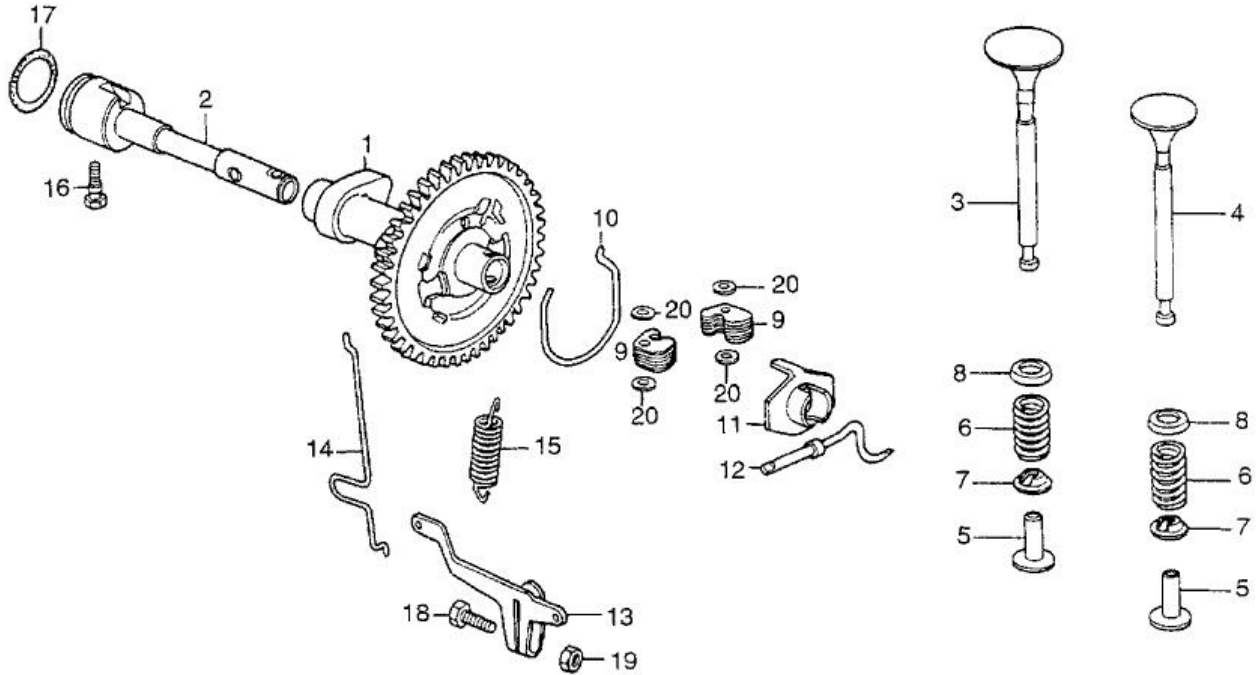
Ref.	Part Number	Part Description	Qty.
002	16561-865-000	SCREW, GOVERNOR ADJUST (NOT AVAILABLE)	001
004	16571-823-000	LEVER, CONTROL (NOT AVAILABLE)	001
005	16572-823-000	SHAFT, CONTROL	001
006	16574-823-000	BUSH, CONTROL (NOT AVAILABLE)	001
008	16575-823-000	ROD, ADJUSTING	001
009	16579-823-000	JOINT, ADJUSTING ROD (NOT AVAILABLE)	001
013	19600-873-000H	COVER, FAN *R8*(BRIGHT RED) (NOT AVAILABLE)	001
015	19611-873-000H	COVER, SIDE *R8*(BRIGHT RED)	001
017	19905-ZA8-701	GROMMET, CORD	001
019	36100-865-003	SWITCH ASSY., ENGINE STOP	001
020	87101-865-000	EMBLEM (NOT AVAILABLE)	001
022	87521-873-660	PLATE, DESCRIPTION	001
023	87531-823-660	PLATE, THROTTLE (ENGLISH/FRENCH)	001
025	90402-822-000	WASHER, HEAD (8MM)	002
026	92101-05008-0A	BOLT, HEX. (5X8)	002
028	92101-06012	BOLT, HEX. (6X12)	005
028	92101-06012-0A	BOLT, HEX. (6X12)	005
029	93500-05008-0A	SCREW, PAN (5X8)	001
029	93500-05008-0H	SCREW, PAN (5X8)	001
030	94001-05000-0S	NUT, HEX. (5MM)	001
030	94001-05080-0S	NUT, HEX. (5MM)	001
031	94101-06800	WASHER, PLAIN (6MM)	005

Section

ENGINE

Illustration

CAMSHAFT - GOVERNOR ARM



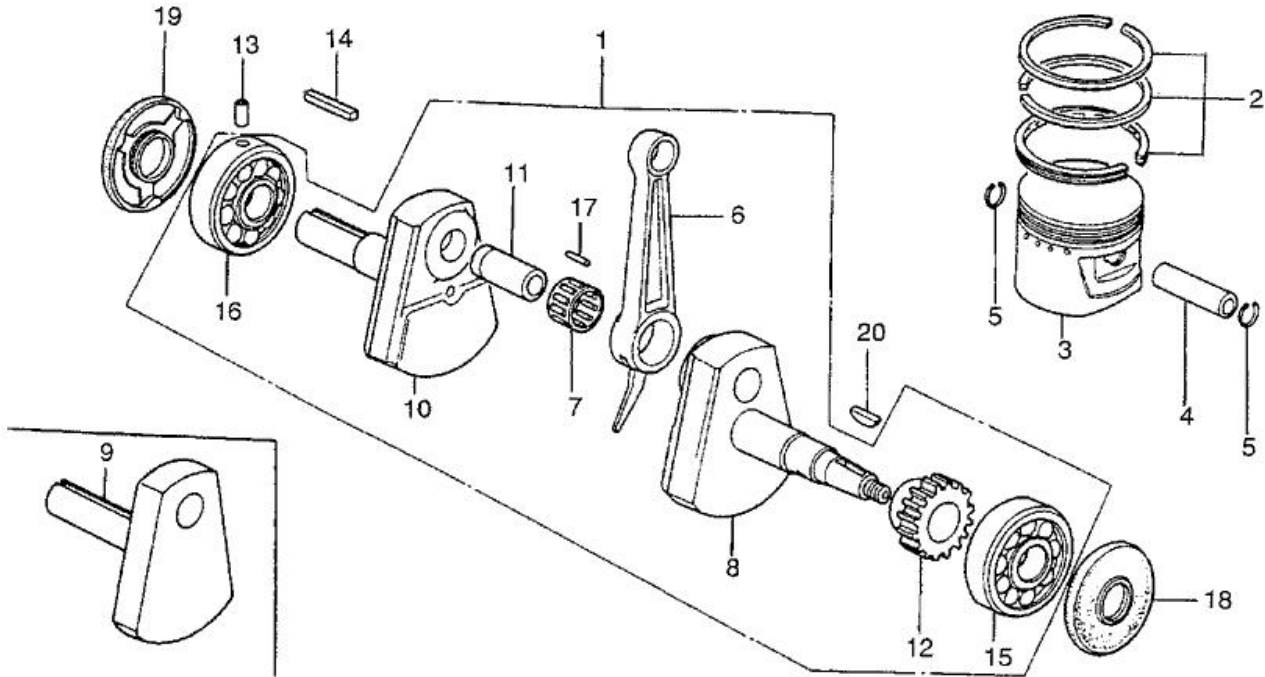
Ref.	Part Number	Part Description	Qty.
001	14101-873-000	CAMSHAFT (NOT AVAILABLE)	001
002	14210-823-010	CENTER, CAMSHAFT	001
003	14711-823-020	VALVE, IN. (NOT AVAILABLE)	001
004	14721-823-020	VALVE, EX. (NOT AVAILABLE)	001
005	14731-809-010	LIFTER, VALVE (NOT AVAILABLE)	002
006	14751-873-000	SPRING, VALVE (NOT AVAILABLE)	002
007	14771-883-305	RETAINER, VALVE SPRING	002
008	14775-809-000	SEAT, SPRING (NOT AVAILABLE)	002
009	16511-805-000	WEIGHT, GOVERNOR	012
010	16515-805-000	CENTER, GOVERNOR WEIGHT (NOT AVAILABLE)	001
011	16521-823-000	SLIDER, GOVERNOR (NOT AVAILABLE)	001
012	16535-823-000	SHAFT, GOVERNOR ARM (NOT AVAILABLE)	001
013	16541-809-030	ARM, GOVERNOR	001
014	16545-823-000	ROD, GOVERNOR (NOT AVAILABLE)	001
015	16551-806-000	SPRING, GOVERNOR	001
016	90008-809-000	BOLT, CAMSHAFT CENTER STOPPER (NOT AVAILABLE)	001
017	91318-PA9-003	O-RING (23.5X2.1) (ARAI)	001
018	92101-06016-0A	BOLT, HEX. (6X16)	001
019	94001-06000-0S	NUT, HEX. (6MM)	001
019	94001-06200-0S	NUT, HEX. (6MM)	001
020	94101-03000	WASHER, PLAIN (3MM)	004

## Section

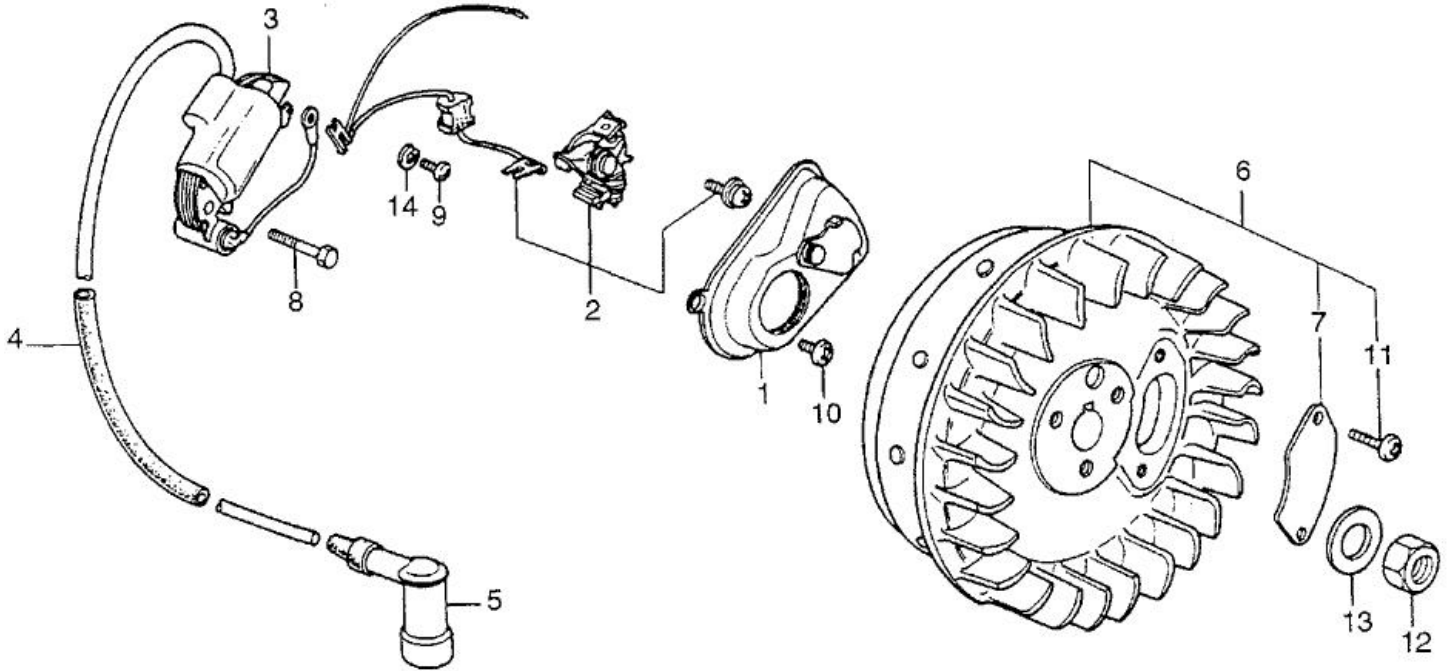
## ENGINE

## Illustration

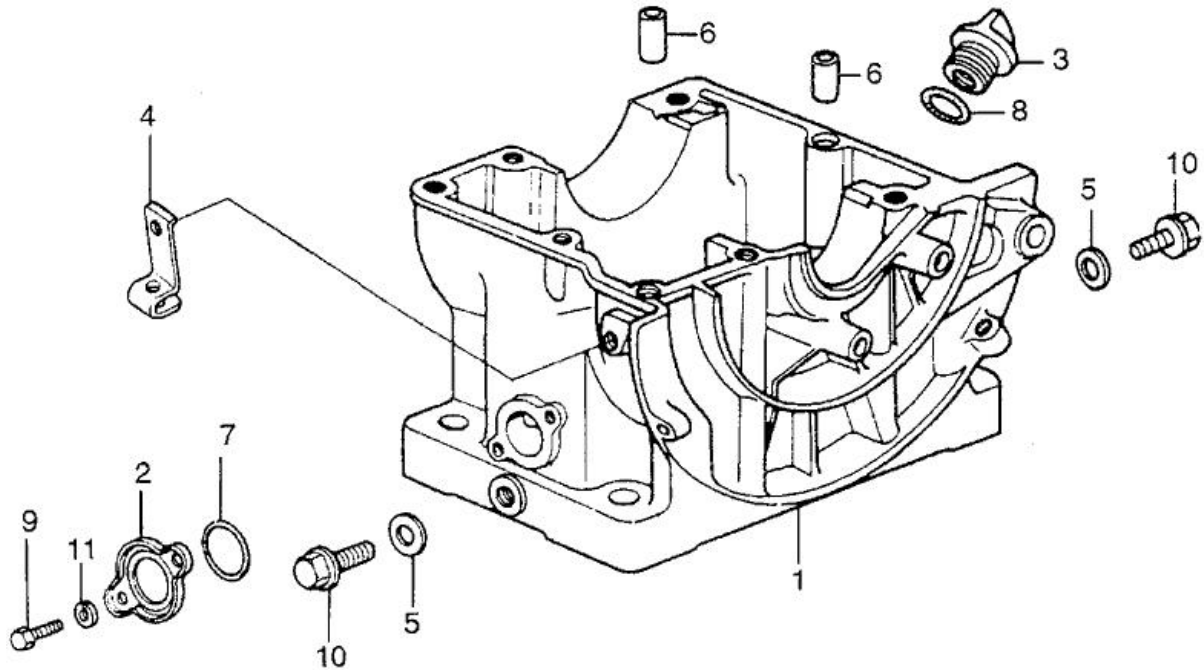
## CRANKSHAFT - PISTON



Ref.	Part Number	Part Description	Qty.
001	13000-873-700	CRANKSHAFT ASSY.	001
002	13011-809-010	RING SET, PISTON (STD)	(NOT AVAILABLE) 001
002	13021-809-010	RING SET, PISTON (OVER SIZE) (0.25)	(NOT AVAILABLE) (1)
002	13031-809-010	RING SET, PISTON (OVER SIZE) (0.50)	(NOT AVAILABLE) (1)
002	13041-809-010	RING SET, PISTON (OVER SIZE) (0.75)	(NOT AVAILABLE) (1)
003	13101-823-000	PISTON (STD)	(NOT AVAILABLE) 001
003	13102-823-000	PISTON (OVER SIZE) (0.25)	(NOT AVAILABLE) (1)
003	13103-823-000	PISTON (OVER SIZE) (0.50)	(NOT AVAILABLE) (1)
003	13104-823-000	PISTON (OVER SIZE) (0.75)	(1)
004	13111-809-010	PIN, PISTON	(NOT AVAILABLE) 001
005	94601-19000	CLIP, PISTON PIN (19MM)	002
006	13201-809-010	ROD, CONNECTING	(NOT AVAILABLE) 001
007	13211-809-000	RETAINER, ROLLER	001
008	13311-823-310	CRANKSHAFT, R.	(NOT AVAILABLE) 001
010	13321-873-700	CRANKSHAFT, L.	001
011	13381-809-010	PIN, CRANK	(N/A: SEE ASSEMBLY) 001
012	14311-823-000	GEAR, TIMING	001
013	90705-259-020	PIN, KNOCK (7X12)	(NOT AVAILABLE) 001
015	91001-809-003	BEARING, RADIAL BALL (6306S)	(NOT AVAILABLE) 001
016	91002-809-003	BEARING, BALL (6306)	001
017	91101-809-020	ROLLER, ROD (3X16)	024
018	91201-809-003	OIL SEAL (30759)	(NOT AVAILABLE) 001
019	91202-809-003	OIL SEAL (PJ30779)	001
020	94401-25180	KEY, WOODRUFF (25X18)	001



Ref.	Part Number	Part Description	Qty.
001	30210-823-010	COVER, POINT	001
002	30280-873-000	POINTS ASSY.	001
003	30560-873-013	COIL, IGNITION (KOKUSAN)	(NOT AVAILABLE) 001
004	30565-873-000	TUBE, IGNITION RUBBER	(NOT AVAILABLE) 001
005	30700-865-013	CAP ASSY., NOISE SUPPRESSOR	001
005	30700-KE2-942	CAP ASSY., NOISE SUPPRESSOR	001
006	31121-873-003	MAGNETO, FLYWHEEL (KOKUSAN)	(NOT AVAILABLE) 001
007	31125-822-000	COVER, FLYWHEEL WINDOW	(NOT AVAILABLE) 001
008	92101-06028-0A	BOLT, HEX. (6X28)	002
009	93500-03007-0A	SCREW, PAN (3X7)	(NOT AVAILABLE) 001
010	93500-05006-0A	SCREW, PAN (5X6)	002
011	93500-05008-0A	SCREW, PAN (5X8)	002
013	90408-822-010	WASHER (14MM)	(NOT AVAILABLE) 001
014	94111-03000	WASHER, SPRING (3MM)	001



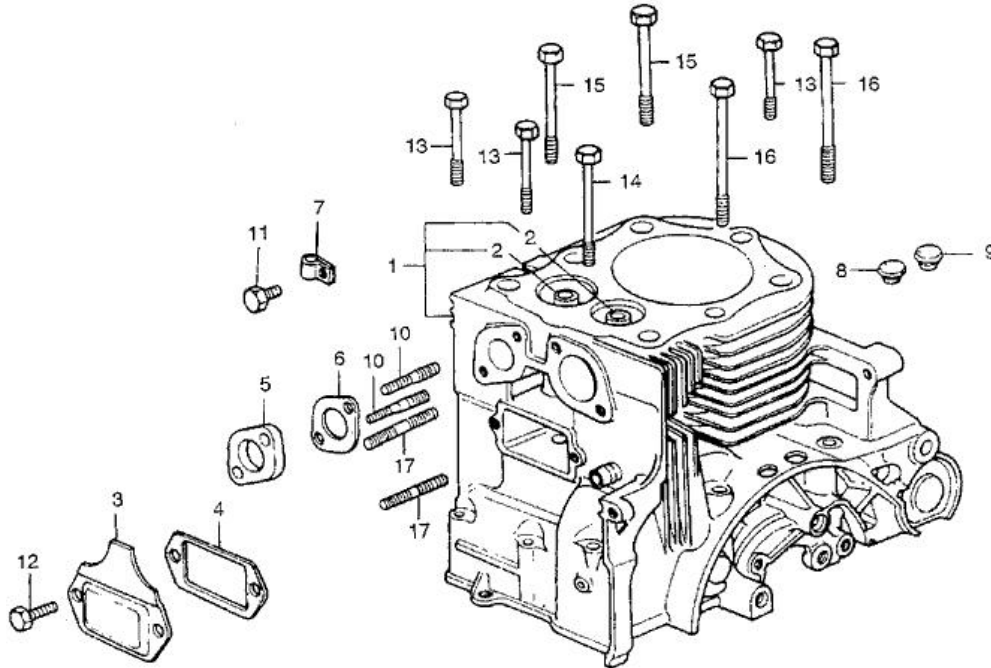
Ref.	Part Number	Part Description	Qty.
001	11200-873-000	PAN, OIL	001
002	11210-822-010	COVER, OIL PAN HOLE	001
003	15611-921-000	CAP, OIL (YELLOW)	001
004	16591-823-740	HOLDER, THROTTLE CABLE	(NOT AVAILABLE)
005	94109-12000	WASHER, DRAIN PLUG (12MM)	002
006	90701-200-000	PIN, KNOCK (8.5X11)	(NOT AVAILABLE)
007	91301-028-000	O-RING (27X2.0)	001
007	91305-KF0-003	O-RING (27X2) (ARAI)	001
008	91301-805-000	O-RING (26X2.7)	001
009	92101-06012	BOLT, HEX. (6X12)	002
009	92101-06012-0A	BOLT, HEX. (6X12)	002
010	92800-12000	BOLT, DRAIN PLUG (12MM)	002
011	94111-06000	WASHER, SPRING (6MM)	002

## Section

## ENGINE

## Illustration

## CYLINDER



Ref.	Part Number	Part Description	Qty.
001	12100-823-070	CYLINDER	001
002	12236-823-305	GUIDE, VALVE	(2)
003	12361-823-651	COVER, TAPPET	001
004	15719-823-000	GASKET, TAPPET COVER	(NOT AVAILABLE)
005	16211-823-303	INSULATOR, CARBURETOR	(NOT AVAILABLE)
006	16229-823-000	GASKET, CARBURETOR INSULATOR	(NOT AVAILABLE)
008	32951-705-000	GROMMET, WIRE	(NOT AVAILABLE)
009	32952-805-020	GROMMET, WIRE	(NOT AVAILABLE)
010	90062-822-701	BOLT, STUD (8X39)	(NOT AVAILABLE)
012	92101-06012	BOLT, HEX. (6X12)	002
012	92101-06012-0A	BOLT, HEX. (6X12)	002
013	92000-06063-0A	BOLT, HEX. (6X63)	003
014	92101-06090-0A	BOLT, HEX. (6X90)	001
015	92022-08080-0A	BOLT, HEX. (8X80)	(SOURCE: VINTAGE PARTS INC.)
016	92000-08100-0A	BOLT, HEX. (8X100)	002
017	92900-06020-0B	BOLT, STUD (6X20)	002