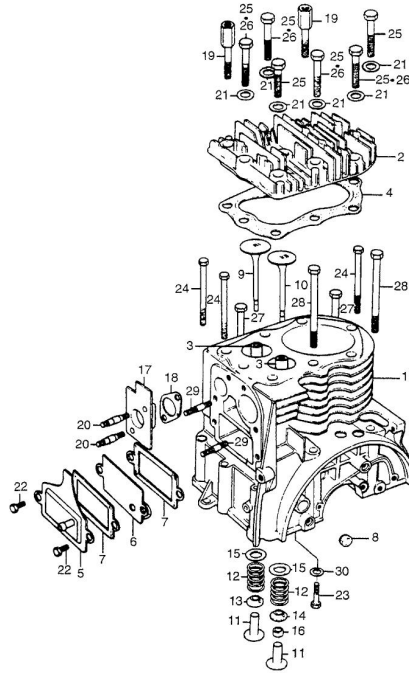
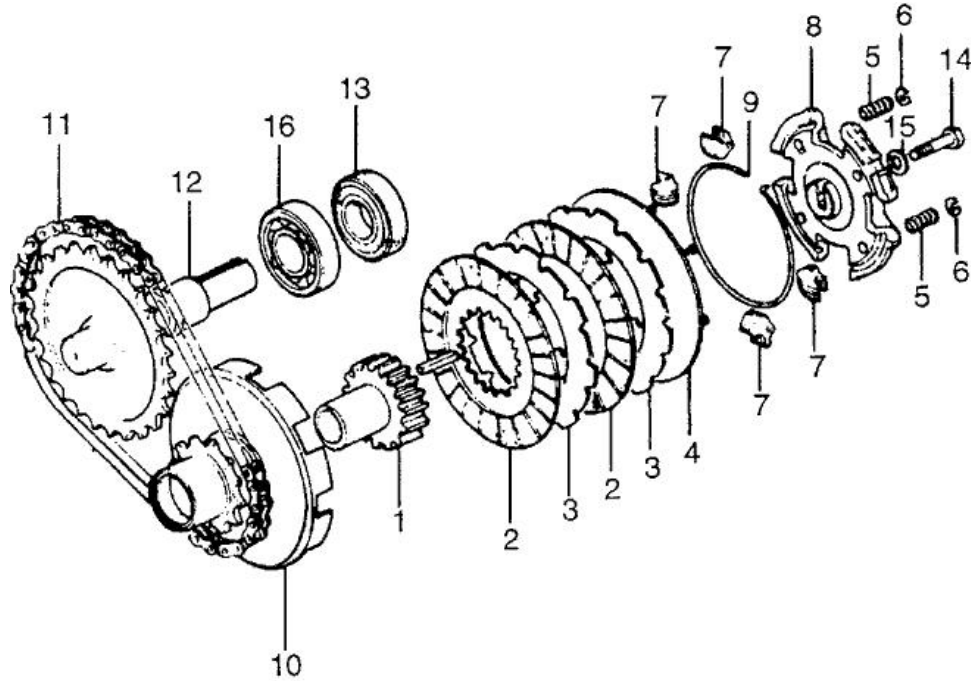


TRU-POWER, INC.

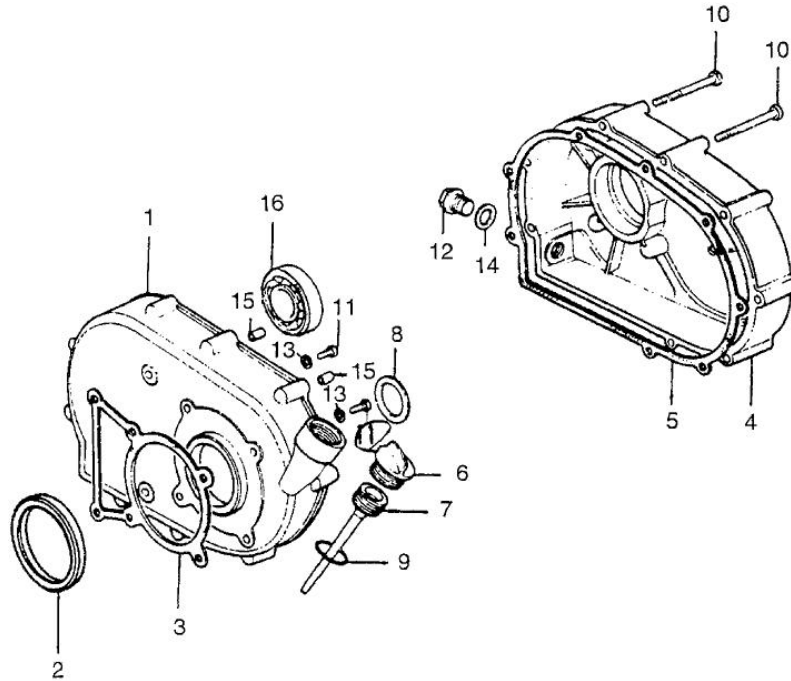
Model Name	G42K1	Product Line	GENERAL PURPOSE ENGINE
Mfg		Type	Q
Section	ENGINE	Illustration	CYLINDER



Ref.	Part Number	Part Description	Qty.
002	12201-865-000	CYLINDER HEAD (NOT AVAILABLE)	001
003	12236-822-305	GUIDE, VALVE (NOT AVAILABLE)	002
004	12251-843-000	GASKET, CYLINDER HEAD (NOT AVAILABLE)	001
005	12361-865-010	COVER, TAPPET	001
016	14777-822-405	ADJUSTER, TAPPET CLEARANCE (5.2/5.3) (NOT AVAILABLE)	(2)
016	14777-822-415	ADJUSTER, TAPPET CLEARANCE (5.5/5.6) (NOT AVAILABLE)	(2)
016	14777-822-425	ADJUSTER, TAPPET CLEARANCE (5.9/6.0) (NOT AVAILABLE)	(2)
017	16211-865-781	INSULATOR, CARBURETOR (NOT AVAILABLE)	001
018	16229-822-010	GASKET, CARBURETOR INSULATOR (NOT AVAILABLE)	001
019	90001-865-000	BOLT, CYLINDER HEAD CLAMP	002
020	90062-822-701	BOLT, STUD (8X39) (NOT AVAILABLE)	002
021	90402-822-000	WASHER, HEAD (8MM)	008
022	92101-06016-0A	BOLT, HEX. (6X16)	002
023	92101-06032-0A	BOLT, HEX. (6X32)	001
024	92101-06070-0A	BOLT, HEX. (6X70)	004
025	95125-08036	BOLT, HEX. (8X36)	006
027	92000-08070-0A	BOLT, HEX. (8X70)	002
027	92200-08070-0A	BOLT, HEX. (8X70) (NOT AVAILABLE)	002
028	92000-08100-0A	BOLT, HEX. (8X100)	002
029	92900-06018-0B	BOLT, STUD (6X18)	002
030	94101-06800	WASHER, PLAIN (6MM)	001



Ref.	Part Number	Part Description	Qty.
001	22121-822-610	CENTER, CLUTCH (NOT AVAILABLE)	001
002	22201-822-306	DISK, CLUTCH FRICTION	002
003	22311-822-610	PLATE, CLUTCH	002
004	22350-822-610	PLATE, CLUTCH PRESSURE	001
005	22411-822-611	SPRING, CLUTCH FREE	004
006	22421-822-610	HOLDER, CLUTCH SPRING	004
007	22521-822-610	WEIGHT, CLUTCH	048
008	22531-822-612	HOLDER, CLUTCH WEIGHT (NOT AVAILABLE)	001
009	22535-822-610	CENTER, CLUTCH WEIGHT	001
010	23120-822-610	SPROCKET, DRIVE (NOT AVAILABLE)	001
011	23161-822-611	CHAIN, DRIVE (RK428SH-36LE)	001
012	23711-822-610	SHAFT, P.T.O. (28T)	001
013	91202-805-610	OIL SEAL (PJ30507)	001
013	91202-Z2F-801	OIL SEAL (30X50X7)	001
014	92101-08035-0A	BOLT, HEX. (8X35)	001
015	94111-08000	WASHER, SPRING (8MM)	001
016	96100-62050-10	BEARING, RADIAL BALL (6205)	001



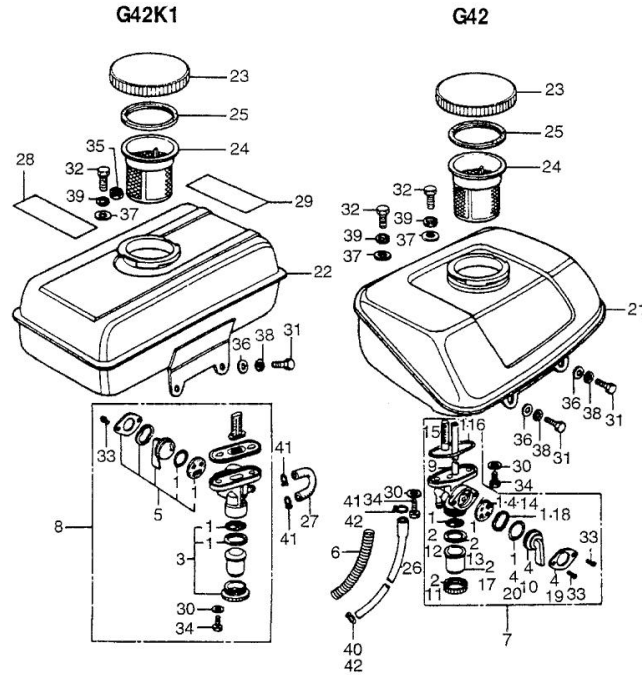
Ref.	Part Number	Part Description	Qty.
001	21510-822-305	CASE, REDUCTION (NOT AVAILABLE)	001
002	21515-848-610	ADAPTER, RING	001
003	21591-848-610	GASKET, REDUCTION CASE (NOT AVAILABLE)	001
004	21610-822-611	COVER, REDUCTION	001
005	21691-822-306	GASKET, REDUCTION	001
006	25620-805-612	CAP, REDUCTION OIL (GRAY)	001
007	25651-822-610	DIPSTICK, OIL (NOT AVAILABLE)	001
008	90403-822-610	WASHER (22MM) (NOT AVAILABLE)	001
009	91301-805-000	O-RING (26X2.7)	001
010	92000-06056	BOLT, HEX. (6X56)	009
010	92000-06056-0A	BOLT, HEX. (6X56) (NOT AVAILABLE)	009
011	92101-08025-0A	BOLT, HEX. (8X25)	006
012	92800-12000	BOLT, DRAIN PLUG (12MM)	001
013	94102-08000	WASHER, PLAIN (8MM)	006
014	94109-12000	WASHER, DRAIN PLUG (12MM)	001
015	94302-08140	PIN B, DOWEL (8X14)	002
016	96100-62060-00	BEARING, RADIAL BALL (6206)	001

Section

ENGINE

Illustration

FUEL TANK



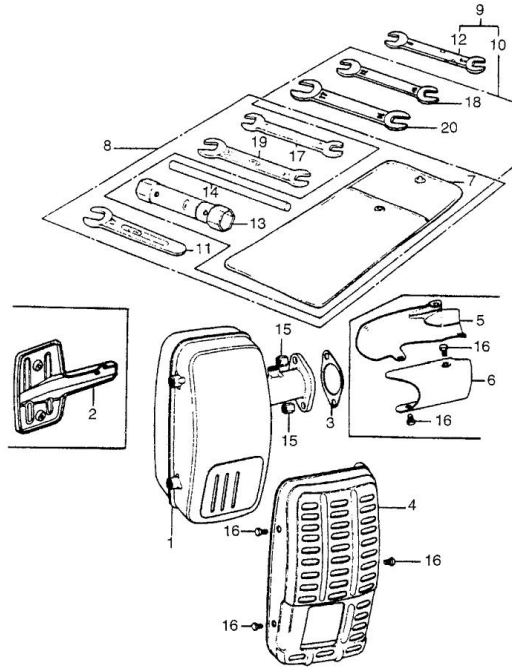
Ref.	Part Number	Part Description	Qty.
001	16080-865-005	GASKET SET, VALVE	001
003	16081-865-015	CUP SET, STRAINER	001
005	16082-843-005	LEVER SET, VALVE	(NOT AVAILABLE) 001
006	16236-865-020	SPRING, FUEL TUBE	(NOT AVAILABLE) 001
008	16950-865-044	PETCOCK ASSY.	001
008	16950-865-701	PETCOCK ASSY.	(NOT AVAILABLE) 001
022	17500-865-663XC	TANK, FUEL *NH31*(MCKINLEY WHITE)	(NOT AVAILABLE) 001
023	17650-805-750	CAP, FUEL TANK	(NOT AVAILABLE) 001
024	17672-703-020	FILTER, FUEL	(NOT AVAILABLE) 001
025	17673-703-030	GASKET, FUEL FILTER	(NOT AVAILABLE) 001
027	17685-865-030	TUBE, FUEL	(NOT AVAILABLE) 001
028	87522-836-670	MARK A, CAUTION	001
029	87561-880-600	MARK, CAUTION (ENGLISH/FRENCH/SPANISH)	001
030	90445-700-000	GASKET, FIBER (6MM)	002
031	92101-06016-0A	BOLT, HEX. (6X16)	002
032	92101-08020-0A	BOLT, HEX. (8X20)	002
033	93500-03008-0A	SCREW, PAN (3X8)	002
034	93500-06016-0A	SCREW, PAN (6X16)	002
035	94030-08000	NUT, HEX. (8MM)	002
036	94101-06800	WASHER, PLAIN (6MM)	002
037	94101-08000	WASHER, PLAIN (8MM)	002
038	94111-06000	WASHER, SPRING (6MM)	002
039	94111-08000	WASHER, SPRING (8MM)	002
041	95002-02100	CLIP, TUBE (B10)	002

Section

ENGINE

Illustration

MUFFLER - TOOLS



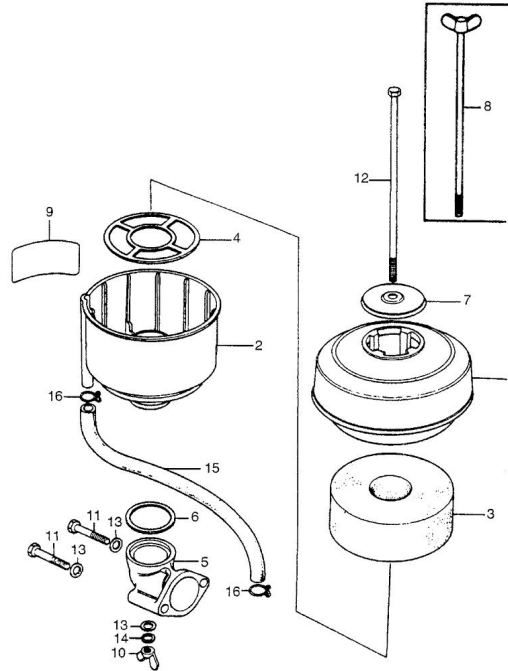
Ref.	Part Number	Part Description	Qty.
001	18300-865-010	MUFFLER (NOT AVAILABLE)	001
002	18321-865-000	SEPARATOR, MUFFLER	001
003	18351-822-000	GASKET, MUFFLER	001
004	18361-865-020	PROTECTOR, MUFFLER	001
007	89101-ME5-670	BAG, TOOL	001
009	89000-865-000	TOOL KIT	001
010	89000-875-000	TOOL KIT	001
012	89215-700-000	WRENCH (8X9)	001
014	89219-805-000	HANDLE, BOX WRENCH	001
015	90381-703-000	NUT, HEX. (6MM) (NOT AVAILABLE)	002
016	93101-06006-0B	BOLT, HEX. (6X6)	006
018	99001-10120	SPANNER (10X12)	001
020	99001-14170	SPANNER (14X17)	001

Section

ENGINE

Illustration

OIL BATH - AIR CLEANER



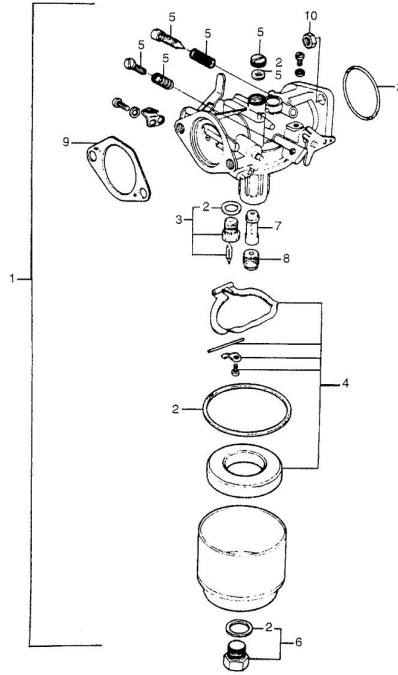
Ref.	Part Number	Part Description	Qty.
001	17401-865-000	BODY, CLEANER	001
002	17402-841-000	PAN, AIR CLEANER OIL	(NOT AVAILABLE) 001
002	17402-841-010	PAN, AIR CLEANER OIL	001
003	17403-841-000	ELEMENT, AIR CLEANER	001
004	17404-841-000	GRID, AIR CLEANER	001
005	17411-865-010	ELBOW, AIR CLEANER	(NOT AVAILABLE) 001
006	17412-841-000	GASKET, IN. ELBOW	(NOT AVAILABLE) 001
007	17421-841-000	CAP, AIR CLEANER	001
008	17425-865-780	BOLT, AIR CLEANER	001
011	92101-06060-0A	BOLT, HEX. (6X60)	002
013	94101-06800	WASHER, PLAIN (6MM)	002
015	95001-80001-60M	BULK HOSE, FUEL (8X1000) OEM CUT SIZE: (8X200)	001
016	95002-02130	CLIP, TUBE (B12.5)	002

Section

ENGINE

Illustration

CARBURETOR



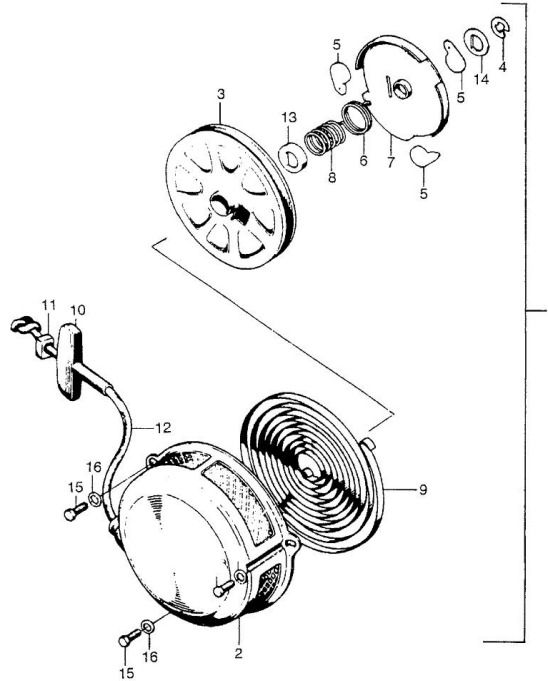
Ref.	Part Number	Part Description	Qty.
001	16100-865-701	CARBURETOR (N/A: SEE COMPONENTS)	001
002	16010-848-650	GASKET SET (NOT AVAILABLE)	001
003	16011-865-014	VALVE SET, FLOAT	001
003	16011-865-014	VALVE SET, FLOAT	001
003	16011-866-004	VALVE SET, FLOAT	001
003	16011-866-004	VALVE SET, FLOAT	001
004	16013-124-014	FLOAT SET (NOT AVAILABLE)	001
004	16013-124-014	FLOAT SET (NOT AVAILABLE)	001
005	16016-848-004	SCREW SET A (NOT AVAILABLE)	001
006	16028-848-004	SCREW SET (NOT AVAILABLE)	001
007	16166-865-004	NOZZLE, MAIN (NOT AVAILABLE)	001
008	99114-077-0780	JET, MAIN (#78) (NOT AVAILABLE)	001
008	99114-077-0800	JET, MAIN (#80) (NOT AVAILABLE)	001
009	16269-822-000	GASKET, AIR CLEANER (NOT AVAILABLE)	001
010	94001-06000-0S	NUT, HEX. (6MM)	002
010	94001-06200-0S	NUT, HEX. (6MM)	002

Section

ENGINE

Illustration

RECOIL STARTER



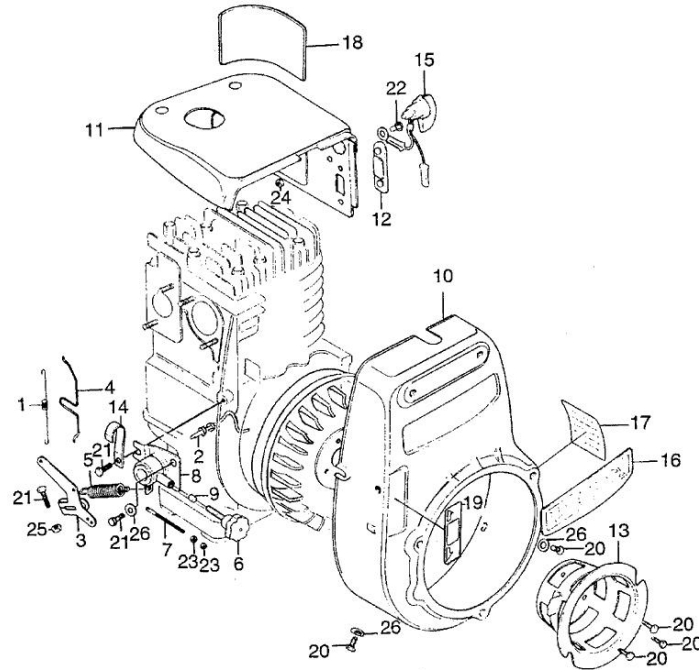
Ref.	Part Number	Part Description		Qty.
001	28400-865-702H	STARTER ASSY., RECOIL *R8*(BRIGHT RED)	(NOT AVAILAB...	001
002	28410-848-811H	CASE, RECOIL STARTER *R8*(BRIGHT RED)	(NOT AVAILABL...	001
002	28410-865-700H	CASE, RECOIL STARTER *R8*(BRIGHT RED)		001
003	28420-848-810	PULLEY, RECOIL STARTER		001
004	28423-809-810	E-RING	(NOT AVAILABLE)	001
005	28441-848-810	RATCHET, STARTER	(NOT AVAILABLE)	003
006	28455-822-810	SPRING SET	(NOT AVAILABLE)	001
007	28445-848-810	PLATE, FRICTION		001
008	28446-809-810	SPRING, FRICTION	(NOT AVAILABLE)	001
009	28451-848-810	SPRING, STARTER RETURN		001
010	28461-823-810	KNOB, STARTER		001
012	28462-ZE8-004	ROPE, RECOIL STARTER		001
013	90481-822-650	WASHER A	(NOT AVAILABLE)	001
014	90482-810-810	WASHER B	(NOT AVAILABLE)	001
015	92101-06012	BOLT, HEX. (6X12)		003
015	92101-06012-0A	BOLT, HEX. (6X12)		003
016	94101-06800	WASHER, PLAIN (6MM)		003

Section

ENGINE

Illustration

FAN COVER



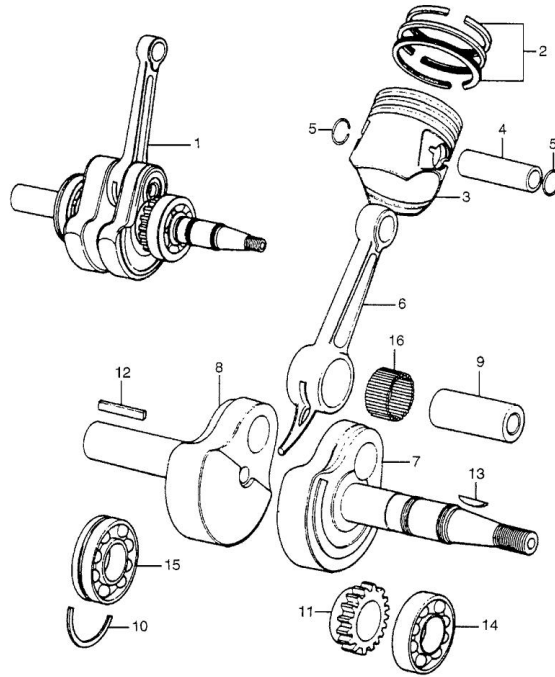
Ref.	Part Number	Part Description	Qty.
001	16501-865-750	SPRING, THROTTLE RETURN (NOT AVAILABLE)	001
002	16535-822-010	SHAFT, GOVERNOR ARM (NOT AVAILABLE)	001
003	16541-822-000	ARM, GOVERNOR (NOT AVAILABLE)	001
004	16545-822-000	ROD, GOVERNOR (NOT AVAILABLE)	001
005	16551-865-000	SPRING, GOVERNOR (NOT AVAILABLE)	001
006	16561-865-000	SCREW, GOVERNOR ADJUST (NOT AVAILABLE)	001
007	16564-822-020	BOLT, SPRING ADJUSTING (NOT AVAILABLE)	001
008	16570-865-000	LEVER, CONTROL (NOT AVAILABLE)	001
009	16574-822-000	BUSHING, CONTROL (NOT AVAILABLE)	001
010	19600-865-010H	COVER, FAN *R8*(BRIGHT RED) (NOT AVAILABLE)	001
011	19611-865-661H	COVER, SIDE *R8*(BRIGHT RED)	001
012	19901-807-000	DEFENDER, SIDE COVER	001
013	28430-865-660	PULLEY, STARTER (NOT AVAILABLE)	001
013	28430-865-701	PULLEY, STARTER	001
014	30564-848-000	CLAMP, WIRE	001
015	36100-865-003	SWITCH ASSY., ENGINE STOP	001
016	87101-865-000	EMBLEM (NOT AVAILABLE)	001
017	87515-865-660	MARK, DIPSTICK OIL (NOT AVAILABLE)	001
018	87521-865-660	PLATE, DESCRIPTION (NOT AVAILABLE)	001
020	92101-06012	BOLT, HEX. (6X12)	008
020	92101-06012-0A	BOLT, HEX. (6X12)	008
021	92101-06016-0A	BOLT, HEX. (6X16)	003
022	93500-05010-0A	SCREW, PAN (5X10)	001
023	94001-04000-0S	NUT, HEX. (4MM)	002
024	94001-05080-0S	NUT, HEX. (5MM)	001
025	94001-06000-0S	NUT, HEX. (6MM)	001
025	94001-06200-0S	NUT, HEX. (6MM)	001
026	94101-06800	WASHER, PLAIN (6MM)	004

Section

ENGINE

Illustration

CRANKSHAFT



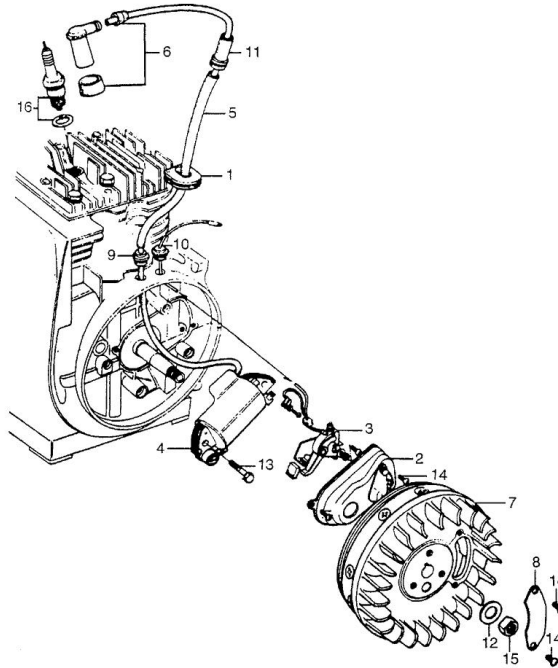
Ref.	Part Number	Part Description	Qty.
001	13000-822-030	CRANKSHAFT ASSY.	001
001	13000-865-700	CRANKSHAFT	001
002	13011-805-000	RING SET, PISTON (STD)	(NOT AVAILABLE) 001
002	13021-805-000	RING SET, PISTON (OVER SIZE) (0.25)	(NOT AVAILABLE) (1)
002	13031-805-000	RING SET, PISTON (OVER SIZE) (0.50)	(1)
002	13041-805-000	RING SET, PISTON (OVER SIZE) (0.75)	(1)
003	13101-822-000	PISTON (STD)	(NOT AVAILABLE) 001
003	13102-822-000	PISTON (OVER SIZE) (0.25)	(1)
003	13103-822-000	PISTON (OVER SIZE) (0.50)	(NOT AVAILABLE) (1)
003	13104-822-000	PISTON (OVER SIZE) (0.75)	(NOT AVAILABLE) (1)
004	13111-805-000	PIN, PISTON	(NOT AVAILABLE) 001
005	94601-18000	CLIP, PISTON PIN (18MM)	002
006	13201-822-000	ROD, CONNECTING	(NOT AVAILABLE) 001
007	13311-822-020	CRANKSHAFT, R.	001
008	13321-805-020	CRANKSHAFT, L.	001
008	13321-865-700	CRANKSHAFT, L.	001
009	13381-822-000	PIN, CRANKSHAFT	001
010	13491-701-000	RING, BALL BEARING SET	(NOT AVAILABLE) 001
011	14311-822-000	GEAR, TIMING	001
012	90741-889-810	KEY (7X7X33) (OVER SIZE) (YELLOW)	001
013	90743-822-010	KEY, WOODRUFF	001
014	91001-822-000	BEARING, BALL (6304S)	(NOT AVAILABLE) 001
015	91002-805-000	BEARING, RADIAL BALL (6206SHS)	(NOT AVAILABLE) 001
016	91101-805-000	ROLLER, ROD (2.48X18.8)	(NOT AVAILABLE) 036

Section

ENGINE

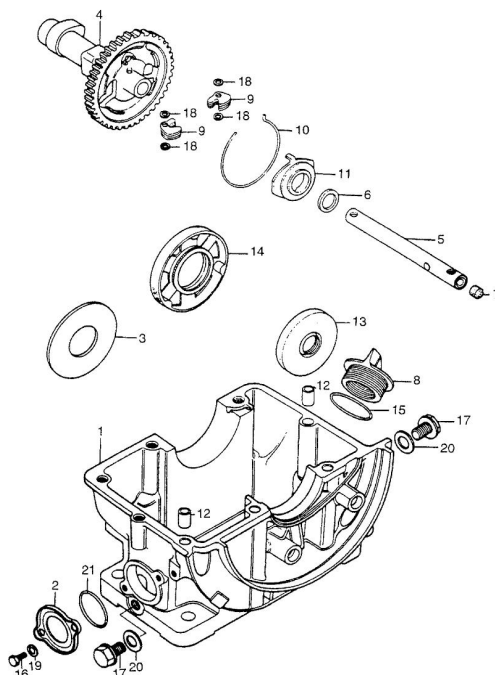
Illustration

FLYWHEEL



Ref.	Part Number	Part Description	Qty.
001	19905-ZA8-701	GROMMET, CORD	001
002	30210-822-010	COVER, POINTS	(NOT AVAILABLE) 001
003	30280-822-033	POINTS	001
004	30560-823-023	COIL, IGNITION	001
005	30565-865-000	TUBE, IGNITION RUBBER	(NOT AVAILABLE) 001
005	30565-879-000	TUBE, IGNITION RUBBER	001
006	30700-865-013	CAP ASSY., NOISE SUPPRESSOR	001
006	30700-KE2-942	CAP ASSY., NOISE SUPPRESSOR	001
007	31121-822-033	FLYWHEEL	(NOT AVAILABLE) 001
008	31125-822-000	COVER, FLYWHEEL WINDOW	(NOT AVAILABLE) 001
009	32951-705-000	GROMMET, WIRE	(NOT AVAILABLE) 001
010	32952-805-020	GROMMET, WIRE	(NOT AVAILABLE) 001
011	36153-865-000	GROMMET, IGNITION WIRE	(NOT AVAILABLE) 001
012	90408-822-000	WASHER (12MM)	(NOT AVAILABLE) 001
013	92101-06028-0A	BOLT, HEX. (6X28)	002
014	93500-05010-0A	SCREW, PAN (5X10)	004
015	94001-14000-0S	NUT, HEX. (14MM)	001
016	98076-56740	SPARK PLUG (B6HS) (NGK)	001
016	98076-56741	SPARK PLUG (B6HS) (NGK)	001

Section ENGINE Illustration CAMSHAFT - OIL PAN



Ref.	Part Number	Part Description	Qty.
001	11200-865-000	PAN, OIL	001
001	11200-865-690	PAN, OIL	001
002	11210-822-010	COVER, OIL PAN HOLE	001
003	11951-807-680	PLATE, GUIDE	001
004	14101-865-010	CAMSHAFT (NOT AVAILABLE)	001
005	14210-822-020	CENTER, CAMSHAFT (NOT AVAILABLE)	001
006	14213-822-000	COLLAR, CAMSHAFT (NOT AVAILABLE)	001
007	14214-822-000	PLUG, CAMSHAFT SEALING (NOT AVAILABLE)	001
008	15611-921-000	CAP, OIL (YELLOW)	001
009	16511-805-000	WEIGHT, GOVERNOR	008
010	16515-805-000	CENTER, GOVERNOR WEIGHT (NOT AVAILABLE)	001
011	16521-822-010	SLIDER, GOVERNOR (NOT AVAILABLE)	001
012	90701-200-000	PIN, KNOCK (8.5X11) (NOT AVAILABLE)	002
013	91201-822-003	OIL SEAL (PJ20528) (NOT AVAILABLE)	001
014	91204-805-003	OIL SEAL (30X65X10) (NOT AVAILABLE)	001
015	91301-805-000	O-RING (26X2.7)	001
016	92101-06012	BOLT, HEX. (6X12)	002
016	92101-06012-0A	BOLT, HEX. (6X12)	002
017	92800-12000	BOLT, DRAIN PLUG (12MM)	002
018	94101-03000	WASHER, PLAIN (3MM)	004
019	94111-06000	WASHER, SPRING (6MM)	002
020	94109-12000	WASHER, DRAIN PLUG (12MM)	002
021	91301-028-000	O-RING (27X2.0)	001
021	91305-KF0-003	O-RING (27X2) (ARAI)	001