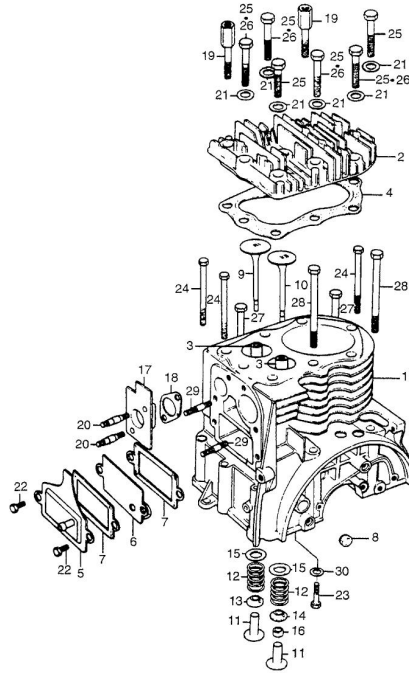


TRU-POWER, INC.

Model Name	G42	Product Line	GENERAL PURPOSE ENGINE
Mfg		Type	Q
Section	ENGINE	Illustration	CYLINDER



Ref.	Part Number	Part Description	Qty.
001	12100-865-000	CYLINDER	001
001	12100-865-030	CYLINDER	001
001	12100-865-690	CYLINDER	001
001	12100-865-693	CYLINDER	001
002	12201-841-000	CYLINDER HEAD	001
004	12251-843-000	GASKET, CYLINDER HEAD	(NOT AVAILABLE) 001
005	12361-865-010	COVER, TAPPET	001
006	12370-843-000	SEPARATOR, OIL	001
007	12372-822-000	GASKET, BREATHER CASE	(NOT AVAILABLE) 002
008	14214-822-000	PLUG, CAMSHAFT SEALING	(NOT AVAILABLE) 001
009	14711-822-010	VALVE, IN.	001
010	14721-822-020	VALVE, EX.	001
011	14731-822-000	LIFTER, VALVE	(NOT AVAILABLE) 002
012	14751-822-000	SPRING, VALVE	(NOT AVAILABLE) 002
013	14771-883-305	RETAINER, VALVE SPRING	001
014	14771-822-020	RETAINER, VALVE SPRING	(NOT AVAILABLE) 001
015	14775-809-000	SEAT, SPRING	(NOT AVAILABLE) 002
015	14775-822-010	SEAT, VALVE SPRING	002
016	14777-822-405	ADJUSTER, TAPPET CLEARANCE (5.2/5.3)	(NOT AVAILABLE) (2)
016	14777-822-415	ADJUSTER, TAPPET CLEARANCE (5.5/5.6)	(NOT AVAILABLE) (2)
016	14777-822-425	ADJUSTER, TAPPET CLEARANCE (5.9/6.0)	(NOT AVAILABLE) (2)
017	16211-865-781	INSULATOR, CARBURETOR	(NOT AVAILABLE) 001
018	16229-822-010	GASKET, CARBURETOR INSULATOR	(NOT AVAILABLE) 001
019	90001-822-000	BOLT, CYLINDER HEAD CLAMP	002
020	90062-822-701	BOLT, STUD (8X39)	(NOT AVAILABLE) 002
021	90402-822-000	WASHER, HEAD (8MM)	008
022	92101-06016-0A	BOLT, HEX. (6X16)	002
023	92101-06032-0A	BOLT, HEX. (6X32)	001
024	92000-06071	BOLT, HEX. (6X71)	(NOT AVAILABLE) 004
025	92101-08035-0A	BOLT, HEX. (8X35)	002
025	95125-08036	BOLT, HEX. (8X36)	002
026	92101-08045-0A	BOLT, HEX. (8X45)	004

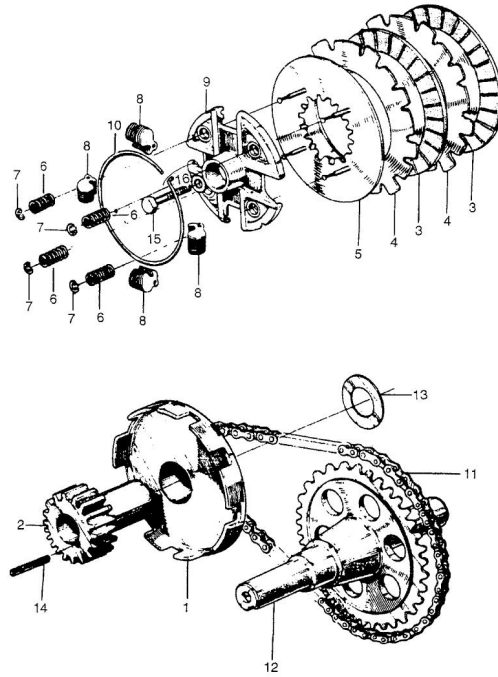
Ref.	Part Number	Part Description	Qty.
027	92000-08070-0A	BOLT, HEX. (8X70)	002
027	92200-08070-0A	BOLT, HEX. (8X70) (NOT AVAILABLE)	002
028	92000-08100-0A	BOLT, HEX. (8X100)	002
029	92900-06018-0B	BOLT, STUD (6X18)	002
030	94101-06800	WASHER, PLAIN (6MM)	001

Section

ENGINE

Illustration

G42 1/2 REDUCTION CLUTCH II



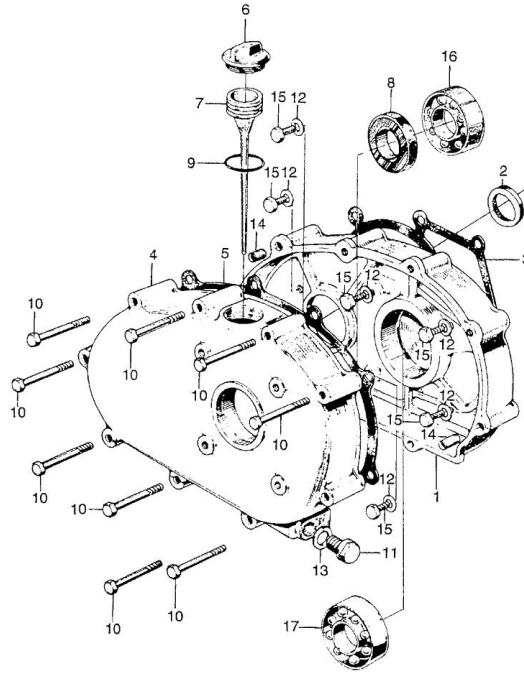
Ref.	Part Number	Part Description	Qty.
001	23120-822-610	SPROCKET, DRIVE (NOT AVAILABLE)	001
002	22121-822-610	CENTER, CLUTCH (NOT AVAILABLE)	001
003	22201-822-306	DISK, CLUTCH FRICTION	002
004	22311-822-610	PLATE, CLUTCH	002
005	22350-822-610	PLATE, CLUTCH PRESSURE	001
006	22411-822-611	SPRING, CLUTCH FREE	004
007	22421-822-610	HOLDER, CLUTCH SPRING	004
008	22521-822-610	WEIGHT, CLUTCH	048
009	22531-822-612	HOLDER, CLUTCH WEIGHT (NOT AVAILABLE)	001
010	22535-822-610	CENTER, CLUTCH WEIGHT	001
011	23161-822-611	CHAIN, DRIVE (RK428SH-36LE)	001
012	23711-822-610	SHAFT, P.T.O. (28T)	001
013	90403-822-610	WASHER (22MM) (NOT AVAILABLE)	001
014	90741-822-610	KEY, CLUTCH CENTER (NOT AVAILABLE)	001
015	92101-08035-0A	BOLT, HEX. (8X35)	001
016	94111-08000	WASHER, SPRING (8MM)	001

Section

ENGINE

Illustration

G42 1/2 REDUCTION CLUTCH I



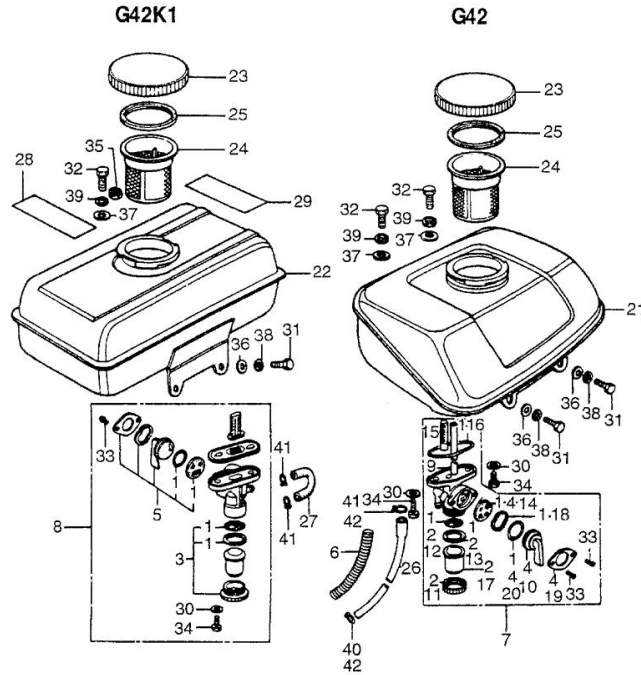
Ref.	Part Number	Part Description	Qty.
001	21510-848-610	CASE, REDUCTION	001
002	21515-848-610	ADAPTER, RING	001
003	21591-848-610	GASKET, REDUCTION CASE	(NOT AVAILABLE) 001
004	21610-822-611	COVER, REDUCTION	001
005	21691-822-306	GASKET, REDUCTION	001
006	25620-805-612	CAP, REDUCTION OIL (GRAY)	001
007	25651-822-610	DIPSTICK, OIL	(NOT AVAILABLE) 001
008	91202-805-610	OIL SEAL (PJ30507)	001
008	91202-Z2F-801	OIL SEAL (30X50X7)	001
009	91301-805-000	O-RING (26X2.7)	001
010	92000-06056	BOLT, HEX. (6X56)	009
010	92000-06056-0A	BOLT, HEX. (6X56)	(NOT AVAILABLE) 009
011	92800-12000	BOLT, DRAIN PLUG (12MM)	001
012	94101-08000	WASHER, PLAIN (8MM)	006
013	94109-12000	WASHER, DRAIN PLUG (12MM)	001
014	94302-08100	PIN B, DOWEL (8X10)	002
015	95100-08025-00	BOLT, HEX. (8X25)	(NOT AVAILABLE) 006
016	96100-62050-10	BEARING, RADIAL BALL (6205)	001
017	96100-62060-00	BEARING, RADIAL BALL (6206)	001

Section

ENGINE

Illustration

FUEL TANK



Ref.	Part Number	Part Description	Qty.
001	16080-865-005	GASKET SET, VALVE	001
002	16081-865-005	CUP SET, STRAINER	(NOT AVAILABLE) 001
004	16082-865-650	LEVER SET, VALVE	001
006	16236-865-020	SPRING, FUEL TUBE	(NOT AVAILABLE) 001
007	16950-805-305	PETCOCK ASSY.	(N/A: SEE COMPONENTS) 001
009	16950-865-044	PETCOCK ASSY.	001
009	16950-865-701	PETCOCK ASSY.	(NOT AVAILABLE) 001
010	16952-865-010	LEVER, VALVE	(NOT AVAILABLE) 001
011	16957-703-004	NUT, RING	(NOT AVAILABLE) 001
012	16080-865-005	GASKET SET, VALVE	001
013	16958-703-007	GASKET, FUEL STRAINER CUP	001
014	16959-865-000	GASKET, VALVE	(NOT AVAILABLE) 001
015	16960-865-010	STRAINER (UPPER)	(NOT AVAILABLE) 001
016	16962-865-010	RING, PETCOCK SEAL	001
017	16967-865-000	CAP, STRAINER	001
018	16975-815-004	SPRING, LEVER	(NOT AVAILABLE) 001
019	16978-865-000	STOPPER, LEVER	001
020	16983-815-000	O-RING (21MM)	(NOT AVAILABLE) 001
021	17500-865-662XC	TANK, FUEL *NH31*(MCKINLEY WHITE)	001
023	17650-805-750	CAP, FUEL TANK	(NOT AVAILABLE) 001
024	17672-703-020	FILTER, FUEL	(NOT AVAILABLE) 001
025	17673-703-030	GASKET, FUEL FILTER	(NOT AVAILABLE) 001
026	17685-865-010	TUBE, FUEL (4.5)	(NOT AVAILABLE) 001
026	95001-75008-60M	BULK HOSE, FUEL (7.5X8000) OEM CUT SIZE: (7.3X290)	001
030	90445-700-000	GASKET, FIBER (6MM)	002
031	92101-06016-0A	BOLT, HEX. (6X16)	002
032	92101-08020-0A	BOLT, HEX. (8X20)	002
033	93500-03008-0A	SCREW, PAN (3X8)	002
034	93500-06016-0A	SCREW, PAN (6X16)	002
036	94101-06800	WASHER, PLAIN (6MM)	002
037	94101-08000	WASHER, PLAIN (8MM)	002
038	94111-06000	WASHER, SPRING (6MM)	002

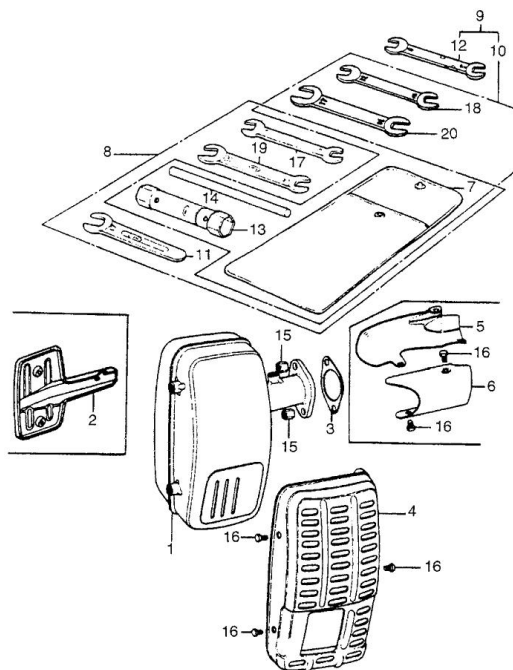
Ref.	Part Number	Part Description	Qty.
039	94111-08000	WASHER, SPRING (8MM)	002
040	95002-02080	CLIP, TUBE (B8)	001
041	95002-02100	CLIP, TUBE (B10)	001
042	95002-02120	CLIP, TUBE (B12)	002

Section

ENGINE

Illustration

MUFFLER - TOOLS



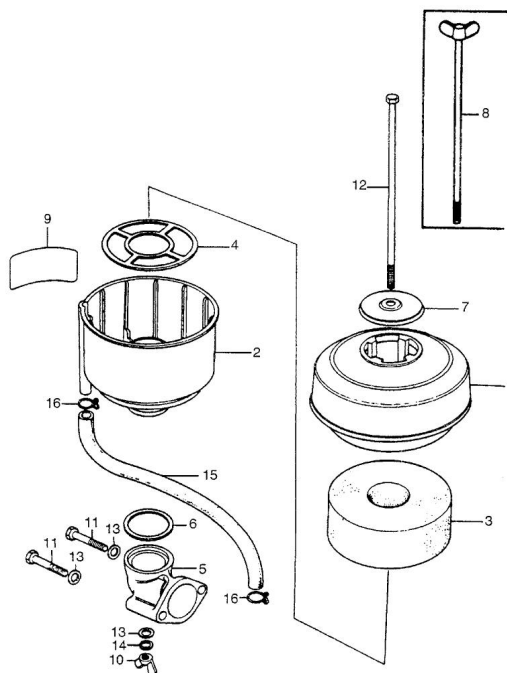
Ref.	Part Number	Part Description	Qty.
001	18300-865-000	MUFFLER (NOT AVAILABLE)	001
003	18351-822-000	GASKET, MUFFLER	001
004	18361-865-780	PROTECTOR, MUFFLER (NOT AVAILABLE)	001
005	18365-865-000	COVER A, EX. PIPE	001
006	18366-865-000	COVER B, EX. PIPE	001
007	89101-ME5-670	BAG, TOOL	001
008	89000-839-000	TOOL ASSY.	001
011	89206-805-000	WRENCH, OPEN END (7MM)	001
013	89216-829-010	WRENCH, SPARK PLUG (NOT AVAILABLE)	001
014	89219-805-000	HANDLE, BOX WRENCH	001
015	90381-703-000	NUT, HEX. (6MM) (NOT AVAILABLE)	002
016	93101-06006-0B	BOLT, HEX. (6X6)	006
016	93101-06008-0A	BOLT, HEX. (6X8)	005
017	99001-08120	SPANNER (8X12)	001
019	99001-10140	SPANNER (10X14)	001

Section

ENGINE

Illustration

OIL BATH - AIR CLEANER



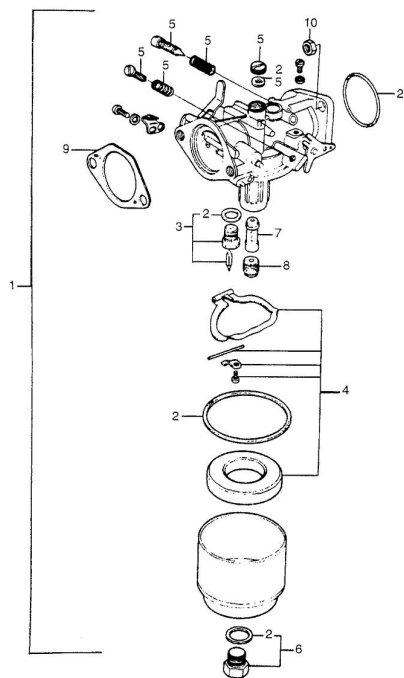
Ref.	Part Number	Part Description	Qty.
001	17401-865-000	BODY, CLEANER	001
002	17402-841-000	PAN, AIR CLEANER OIL	(NOT AVAILABLE) 001
002	17402-841-010	PAN, AIR CLEANER OIL	001
003	17403-841-000	ELEMENT, AIR CLEANER	001
004	17404-841-000	GRID, AIR CLEANER	001
005	17411-865-010	ELBOW, AIR CLEANER	(NOT AVAILABLE) 001
006	17412-841-000	GASKET, IN. ELBOW	(NOT AVAILABLE) 001
007	17421-841-000	CAP, AIR CLEANER	001
009	87535-816-660	PLATE, OIL BATH CAUTION	001
010	90325-848-650	WINGNUT (6MM)	(NOT AVAILABLE) 001
011	92000-06040-0A	BOLT, HEX. (6X40)	002
011	92101-06040-0A	BOLT, HEX. (6X40)	(NOT AVAILABLE) 002
012	92101-06160-0A	BOLT, HEX. (6X160)	001
013	94101-06800	WASHER, PLAIN (6MM)	003
014	94111-06000	WASHER, SPRING (6MM)	001
015	95001-80001-60M	BULK HOSE, FUEL (8X1000) OEM CUT SIZE: (8X200)	001
016	95002-02080	CLIP, TUBE (B8)	002

Section

ENGINE

Illustration

CARBURETOR



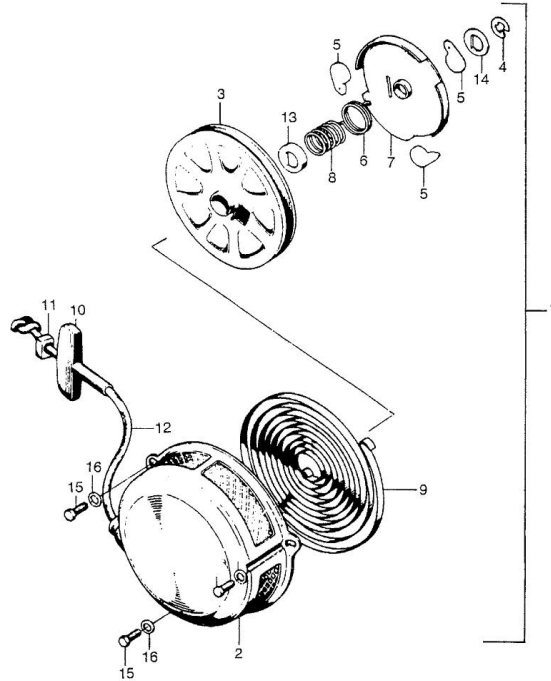
Ref.	Part Number	Part Description	Qty.
001	16100-865-004	CARBURETOR ASSY. (N/A: SEE COMPONENTS)	001
001	16100-865-014	CARBURETOR ASSY. (N/A: SEE COMPONENTS)	001
002	16010-848-650	GASKET SET (NOT AVAILABLE)	001
003	16011-865-014	VALVE SET, FLOAT	001
003	16011-866-004	VALVE SET, FLOAT	001
004	16013-124-014	FLOAT SET (NOT AVAILABLE)	001
005	16016-848-004	SCREW SET A (NOT AVAILABLE)	001
006	16028-848-004	SCREW SET (NOT AVAILABLE)	001
007	16166-865-004	NOZZLE, MAIN (NOT AVAILABLE)	001
008	99114-077-0720	JET, MAIN (#72) (NOT AVAILABLE)	(1)
008	99114-077-0750	JET, MAIN (#75) (NOT AVAILABLE)	(1)
008	99114-077-0780	JET, MAIN (#78) (NOT AVAILABLE)	001
008	99114-077-0800	JET, MAIN (#80) (NOT AVAILABLE)	(1)
008	99114-077-0820	JET, MAIN (#82) (NOT AVAILABLE)	(1)
009	16269-822-000	GASKET, AIR CLEANER (NOT AVAILABLE)	001
010	94001-06000-0S	NUT, HEX. (6MM)	002
010	94001-06200-0S	NUT, HEX. (6MM)	002

Section

ENGINE

Illustration

RECOIL STARTER



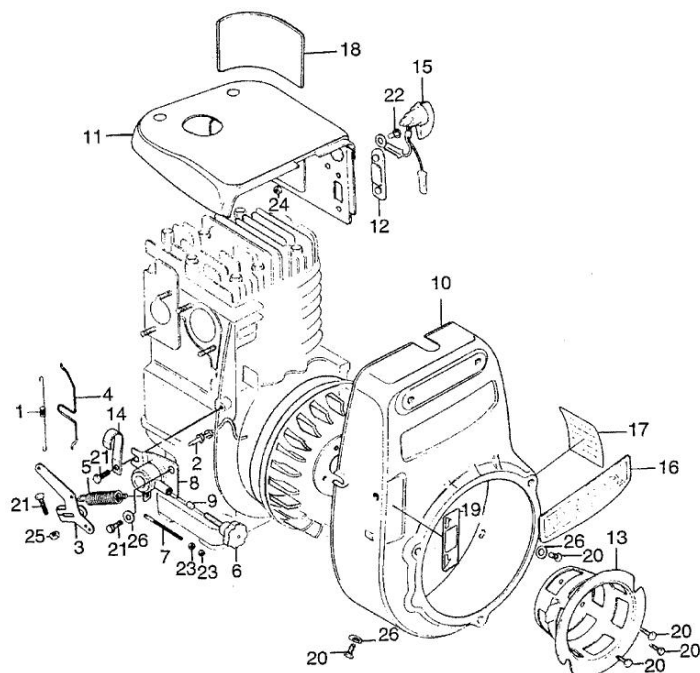
Ref.	Part Number	Part Description	Qty.
001	28400-848-024H	RECOIL, STARTER *R8*(BRIGHT RED) (NOT AVAILABLE)	001
002	28410-848-811H	CASE, RECOIL STARTER *R8*(BRIGHT RED) (NOT AVAILABL...	001
003	28420-848-810	PULLEY, RECOIL STARTER	001
004	28423-810-810	E-RING (NOT AVAILABLE)	001
005	28441-848-810	RATCHET, STARTER (NOT AVAILABLE)	003
006	28445-822-650	PLATE, FRICTION	001
007	28445-848-810	PLATE, FRICTION	001
008	28446-809-810	SPRING, FRICTION (NOT AVAILABLE)	001
009	28451-848-810	SPRING, STARTER RETURN	001
010	28461-823-810	KNOB, STARTER	001
011	28465-809-810	STOPPER, ROPE	001
012	28462-ZE8-004	ROPE, RECOIL STARTER	001
013	90481-809-810	WASHER A (NOT AVAILABLE)	001
014	90482-822-650	WASHER B (NOT AVAILABLE)	001
015	92101-06012	BOLT, HEX. (6X12)	003
015	92101-06012-0A	BOLT, HEX. (6X12)	003
016	94101-06800	WASHER, PLAIN (6MM)	003

Section

ENGINE

Illustration

FAN COVER



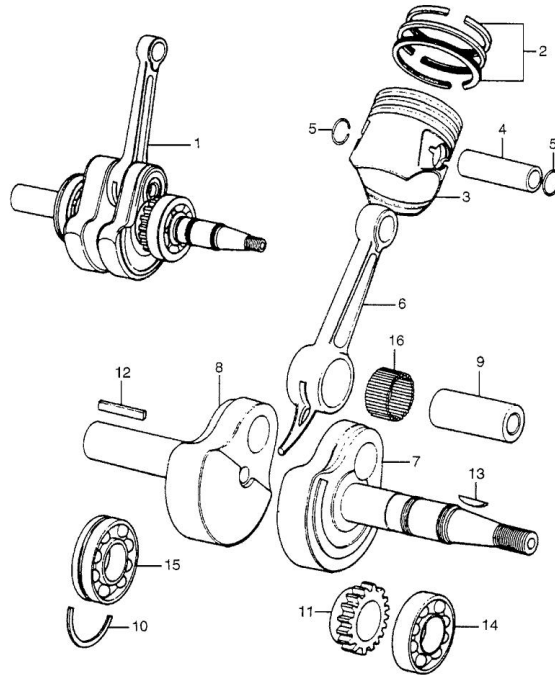
Ref.	Part Number	Part Description	Qty.
001	16501-865-750	SPRING, THROTTLE RETURN (NOT AVAILABLE)	001
002	16535-822-010	SHAFT, GOVERNOR ARM (NOT AVAILABLE)	001
003	16541-822-000	ARM, GOVERNOR (NOT AVAILABLE)	001
004	16545-822-000	ROD, GOVERNOR (NOT AVAILABLE)	001
005	16551-865-000	SPRING, GOVERNOR (NOT AVAILABLE)	001
006	16561-865-000	SCREW, GOVERNOR ADJUST (NOT AVAILABLE)	001
007	16564-822-010	BOLT, SPRING ADJUSTING (NOT AVAILABLE)	001
007	16564-822-020	BOLT, SPRING ADJUSTING (NOT AVAILABLE)	001
008	16570-865-000	LEVER, CONTROL (NOT AVAILABLE)	001
009	16574-822-000	BUSHING, CONTROL (NOT AVAILABLE)	001
010	19600-865-010H	COVER, FAN *R8*(BRIGHT RED) (NOT AVAILABLE)	001
011	19611-865-661H	COVER, SIDE *R8*(BRIGHT RED)	001
012	19901-807-000	DEFENDER, SIDE COVER	001
013	28430-865-660	PULLEY, STARTER (NOT AVAILABLE)	001
014	30564-848-000	CLAMP, WIRE	001
015	36100-865-003	SWITCH ASSY., ENGINE STOP	001
016	87101-865-000	EMBLEM (NOT AVAILABLE)	001
017	87515-865-660	MARK, DIPSTICK OIL (NOT AVAILABLE)	001
018	87521-865-660	PLATE, DESCRIPTION (NOT AVAILABLE)	001
019	87531-865-660	PLATE, THROTTLE (NOT AVAILABLE)	001
020	92101-06012	BOLT, HEX. (6X12)	008
020	92101-06012-0A	BOLT, HEX. (6X12)	008
021	92101-06016-0A	BOLT, HEX. (6X16)	003
022	93500-05010-0A	SCREW, PAN (5X10)	001
023	94001-04000-0S	NUT, HEX. (4MM)	002
024	94001-05000-0S	NUT, HEX. (5MM)	001
025	94001-06000-0S	NUT, HEX. (6MM)	001
025	94001-06200-0S	NUT, HEX. (6MM)	001
026	94101-06800	WASHER, PLAIN (6MM)	004

Section

ENGINE

Illustration

CRANKSHAFT



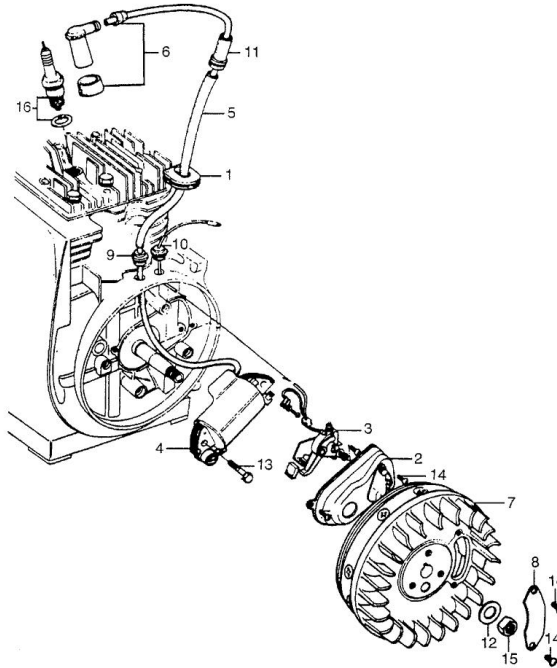
Ref.	Part Number	Part Description	Qty.
001	13000-822-030	CRANKSHAFT ASSY.	001
001	13000-822-702	CRANKSHAFT ASSY.	001
002	13011-805-000	RING SET, PISTON (STD)	(NOT AVAILABLE) 001
002	13021-805-000	RING SET, PISTON (OVER SIZE) (0.25)	(NOT AVAILABLE) (1)
002	13031-805-000	RING SET, PISTON (OVER SIZE) (0.50)	(1)
002	13041-805-000	RING SET, PISTON (OVER SIZE) (0.75)	(1)
003	13101-822-000	PISTON (STD)	(NOT AVAILABLE) 001
003	13102-822-000	PISTON (OVER SIZE) (0.25)	(1)
003	13103-822-000	PISTON (OVER SIZE) (0.50)	(NOT AVAILABLE) (1)
003	13104-822-000	PISTON (OVER SIZE) (0.75)	(NOT AVAILABLE) (1)
004	13111-805-000	PIN, PISTON	(NOT AVAILABLE) 001
005	94601-18000	CLIP, PISTON PIN (18MM)	002
006	13201-822-000	ROD, CONNECTING	(NOT AVAILABLE) 001
007	13311-822-020	CRANKSHAFT, R.	001
008	13321-805-020	CRANKSHAFT, L.	001
008	13321-807-690	CRANKSHAFT, L.	001
009	13381-822-000	PIN, CRANKSHAFT	001
010	13491-701-000	RING, BALL BEARING SET	(NOT AVAILABLE) 001
011	14311-822-000	GEAR, TIMING	001
012	90741-889-810	KEY (7X7X33) (OVER SIZE) (YELLOW)	001
013	90743-822-010	KEY, WOODRUFF	001
014	91001-822-000	BEARING, BALL (6304S)	(NOT AVAILABLE) 001
015	91002-805-000	BEARING, RADIAL BALL (6206SHS)	(NOT AVAILABLE) 001
016	91101-805-000	ROLLER, ROD (2.48X18.8)	(NOT AVAILABLE) 036

Section

ENGINE

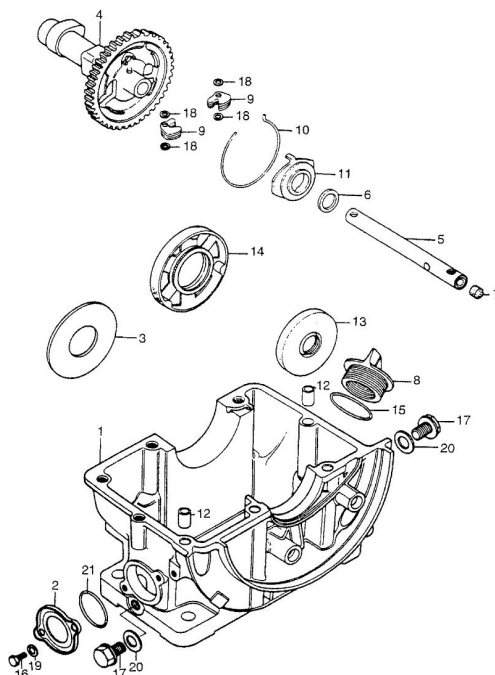
Illustration

FLYWHEEL



Ref.	Part Number	Part Description	Qty.
001	19905-ZA8-701	GROMMET, CORD	001
002	30210-822-010	COVER, POINTS (NOT AVAILABLE)	001
003	30280-822-033	POINTS	001
004	30560-823-023	COIL, IGNITION	001
005	30565-865-000	TUBE, IGNITION RUBBER (NOT AVAILABLE)	001
006	30600-841-000	TERMINAL ASSY., IGNITION (NOT AVAILABLE)	001
007	31121-822-033	FLYWHEEL (NOT AVAILABLE)	001
008	31125-822-000	COVER, FLYWHEEL WINDOW (NOT AVAILABLE)	001
009	32951-705-000	GROMMET, WIRE (NOT AVAILABLE)	001
010	32952-805-020	GROMMET, WIRE (NOT AVAILABLE)	001
011	36153-865-000	GROMMET, IGNITION WIRE (NOT AVAILABLE)	001
012	90408-822-000	WASHER (12MM) (NOT AVAILABLE)	001
013	92101-06028-0A	BOLT, HEX. (6X28)	002
014	93500-05010-0A	SCREW, PAN (5X10)	004
015	94001-14000-0S	NUT, HEX. (14MM)	001
016	98076-56740	SPARK PLUG (B6HS) (NGK)	001
016	98076-56741	SPARK PLUG (B6HS) (NGK)	001

Section ENGINE Illustration CAMSHAFT - OIL PAN



Ref.	Part Number	Part Description	Qty.
001	11200-865-000	PAN, OIL	001
001	11200-865-690	PAN, OIL	001
002	11210-822-010	COVER, OIL PAN HOLE	001
003	11951-807-680	PLATE, GUIDE	001
004	14101-865-010	CAMSHAFT (NOT AVAILABLE)	001
005	14210-822-020	CENTER, CAMSHAFT (NOT AVAILABLE)	001
006	14213-822-000	COLLAR, CAMSHAFT (NOT AVAILABLE)	001
008	15611-921-000	CAP, OIL (YELLOW)	001
009	16511-805-000	WEIGHT, GOVERNOR	008
010	16515-805-000	CENTER, GOVERNOR WEIGHT (NOT AVAILABLE)	001
011	16521-822-010	SLIDER, GOVERNOR (NOT AVAILABLE)	001
012	90701-200-000	PIN, KNOCK (8.5X11) (NOT AVAILABLE)	002
013	91201-822-003	OIL SEAL (PJ20528) (NOT AVAILABLE)	001
014	91204-805-003	OIL SEAL (30X65X10) (NOT AVAILABLE)	001
015	91301-805-000	O-RING (26X2.7)	001
016	92101-06012	BOLT, HEX. (6X12)	002
016	92101-06012-0A	BOLT, HEX. (6X12)	002
017	92800-12000	BOLT, DRAIN PLUG (12MM)	002
018	94101-03000	WASHER, PLAIN (3MM)	004
019	94111-06000	WASHER, SPRING (6MM)	002
020	94109-12000	WASHER, DRAIN PLUG (12MM)	002