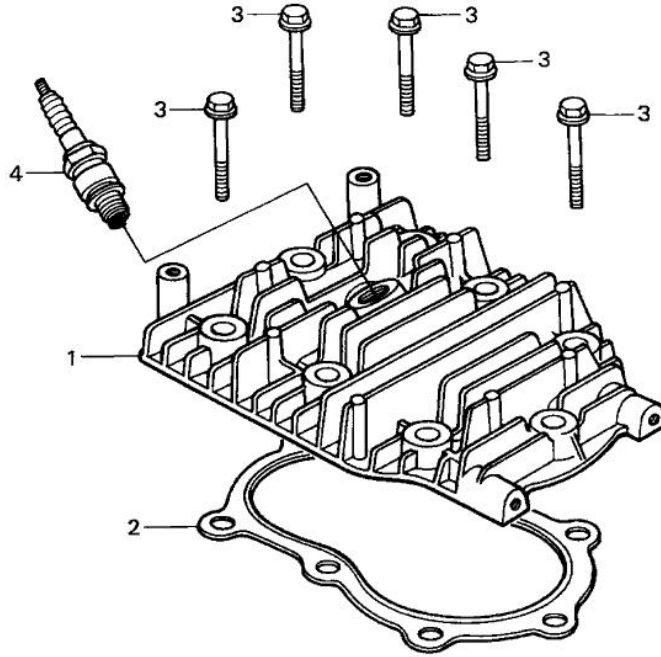


TRU-POWER, INC.

| | | | |
|-------------------|---------------|---------------------|-------------------------------|
| Model Name | G35 | Product Line | GENERAL PURPOSE ENGINE |
| Mfg | JPN | Type | Q1 |
| Section | ENGINE | Illustration | CYLINDER HEAD |



8780-E0200

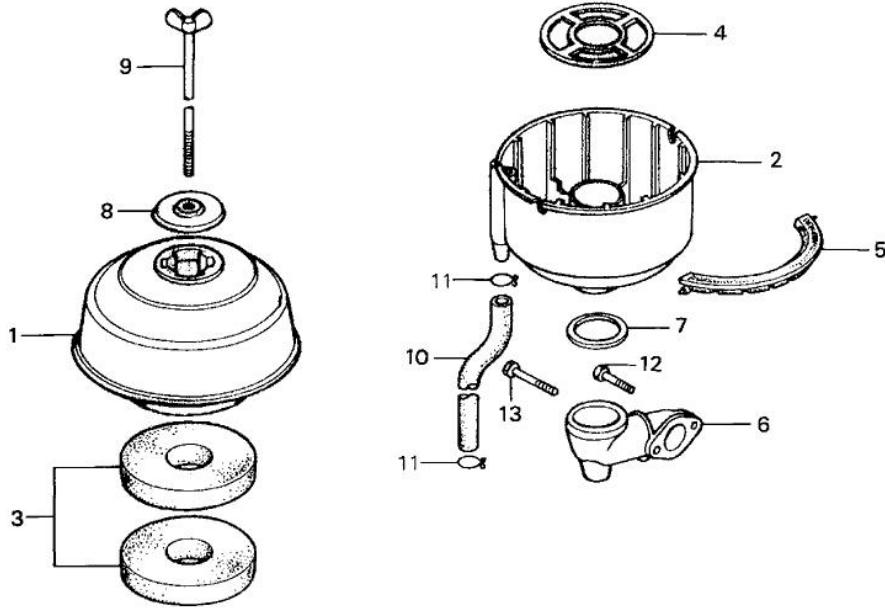
| Ref. | Part Number | Part Description | Qty. |
|------|----------------|-------------------------|------------------------|
| 001 | 12221-878-000 | CYLINDER HEAD | 001 |
| 002 | 12281-878-000 | GASKET, CYLINDER HEAD | (NOT AVAILABLE) 001 |
| 003 | 95701-08040-08 | BOLT, FLANGE (8X40) | 008 |
| 004 | 98076-56740 | SPARK PLUG (B6HS) (NGK) | 001 |

Section

ENGINE

Illustration

AIR CLEANER



8780-X0200

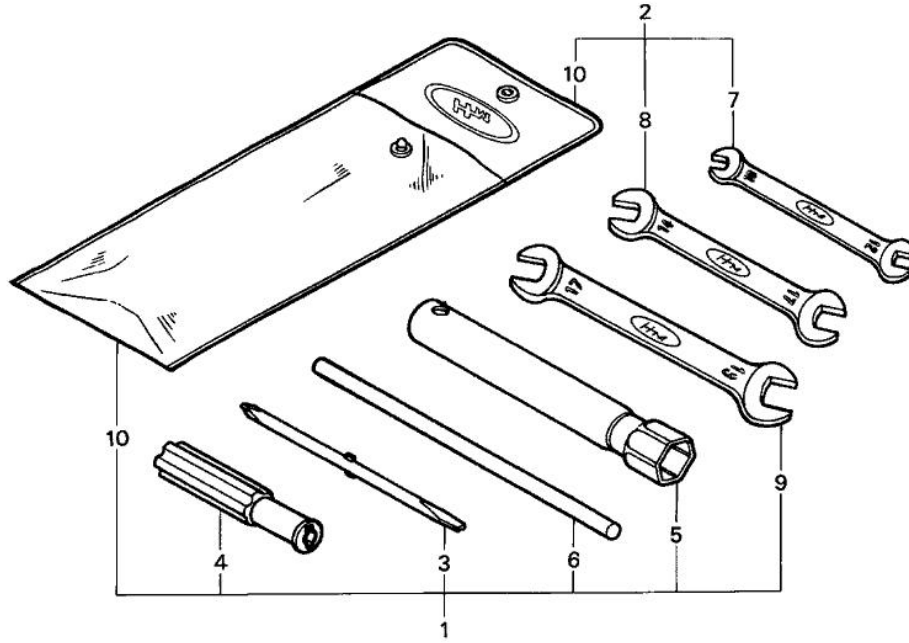
| Ref. | Part Number | Part Description | Qty. |
|------|-----------------|--|---------------------|
| 001 | 17401-865-000 | BODY, CLEANER | 001 |
| 002 | 17402-841-000 | PAN, AIR CLEANER OIL | (NOT AVAILABLE) 001 |
| 003 | 17403-841-000 | ELEMENT, AIR CLEANER | 001 |
| 004 | 17404-841-000 | GRID, AIR CLEANER | 001 |
| 005 | 17409-865-781 | GASKET, OIL CLEANER | 001 |
| 006 | 17411-878-610 | ELBOW, AIR CLEANER | 001 |
| 007 | 17412-841-000 | GASKET, IN. ELBOW | (NOT AVAILABLE) 001 |
| 008 | 17421-841-000 | CAP, AIR CLEANER | 001 |
| 009 | 17425-865-780 | BOLT, AIR CLEANER | 001 |
| 010 | 95001-80001-60M | BULK HOSE, FUEL (8X1000) OEM CUT SIZE: (8X250) | 001 |
| 011 | 95002-02130 | CLIP, TUBE (B12.5) | 001 |
| 012 | 95700-06025-08 | BOLT, FLANGE (6X25) | 001 |
| 012 | 95701-06025-08 | BOLT, FLANGE (6X25) | 001 |
| 013 | 95701-06045-08 | BOLT, FLANGE (6X45) | 001 |

Section

ENGINE

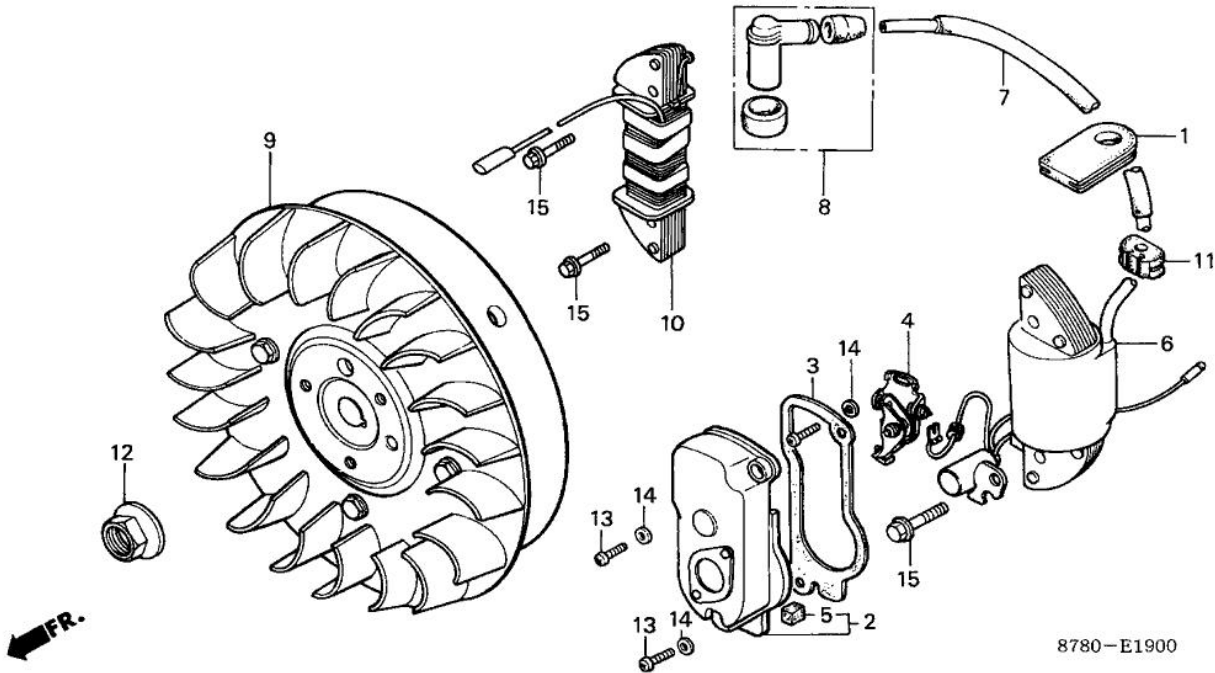
Illustration

TOOLS



8780-E2900

| Ref. | Part Number | Part Description | Qty. |
|------|---------------|--------------------------------|------|
| 002 | 89000-878-810 | TOOL KIT (N/A: SEE COMPONENTS) | (1) |
| 005 | 89216-809-000 | WRENCH, SPARK PLUG | 001 |
| 006 | 89219-805-000 | HANDLE, BOX WRENCH | 001 |
| 007 | 99001-10120 | SPANNER (10X12) | (1) |
| 008 | 99001-14170 | SPANNER (14X17) | (1) |
| 010 | 89101-ME5-670 | BAG, TOOL | (1) |



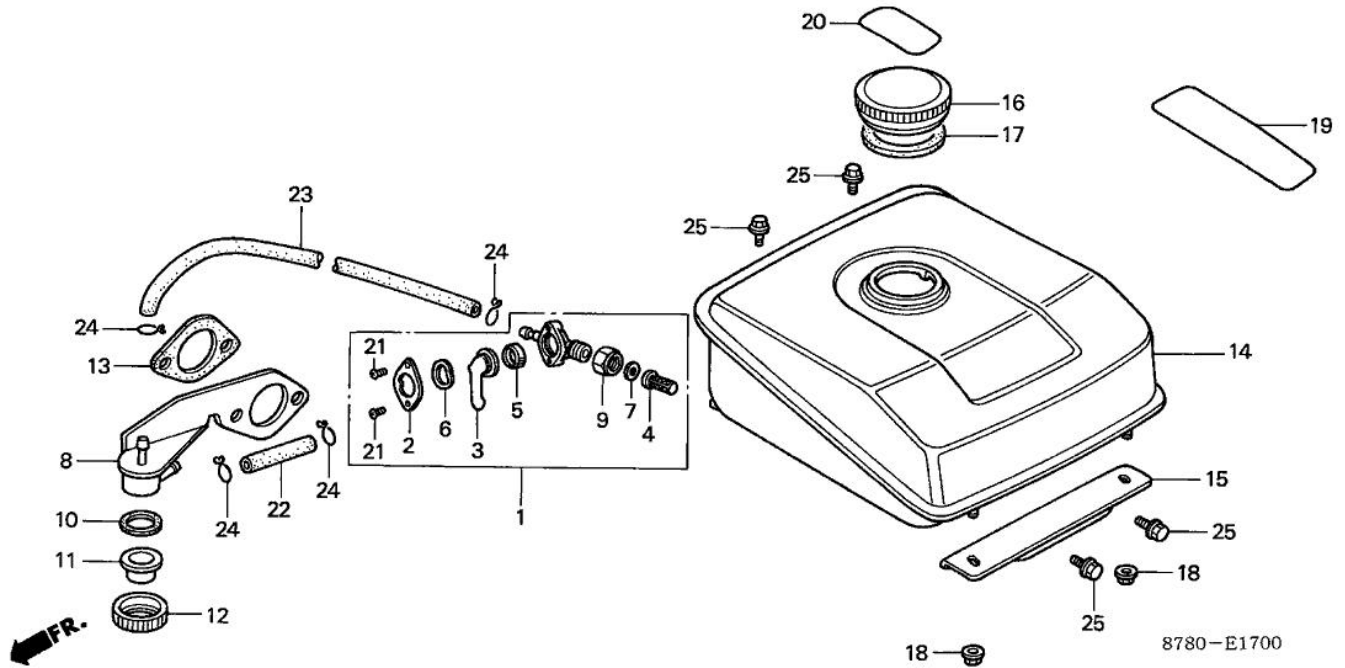
| Ref. | Part Number | Part Description | Qty. |
|------|----------------|------------------------------|---------------------|
| 001 | 19905-878-000 | GROMMET, CORD | 001 |
| 002 | 30200-878-000 | COVER ASSY., BREAKER | (NOT AVAILABLE) 001 |
| 002 | 30210-878-000 | COVER, BREAKER | 001 |
| 003 | 30215-879-000 | GASKET, BREAKER COVER | (NOT AVAILABLE) 001 |
| 004 | 30280-878-003 | POINTS ASSY. | 001 |
| 005 | 30290-878-003 | FELT, OIL | 001 |
| 006 | 30560-878-013 | COIL ASSY., IGNITION (DENSO) | 001 |
| 007 | 30565-865-650 | TUBE, IGNITION RUBBER | 001 |
| 008 | 30600-841-000 | TERMINAL ASSY., IGNITION | (NOT AVAILABLE) 001 |
| 009 | 31200-878-003 | FLYWHEEL ASSY. | 001 |
| 010 | 31511-878-003 | COIL ASSY., LAMP | (1) |
| 011 | 32951-878-000 | GROMMET, WIRE | 001 |
| 012 | 90201-878-003 | NUT, SPECIAL (14MM) | 001 |
| 013 | 93500-04008-0A | SCREW, PAN (4X8) | 002 |
| 014 | 94101-04800 | WASHER, PLAIN (4MM) | 003 |
| 015 | 95800-06025-08 | BOLT, FLANGE (6X25) | (NOT AVAILABLE) 002 |

Section

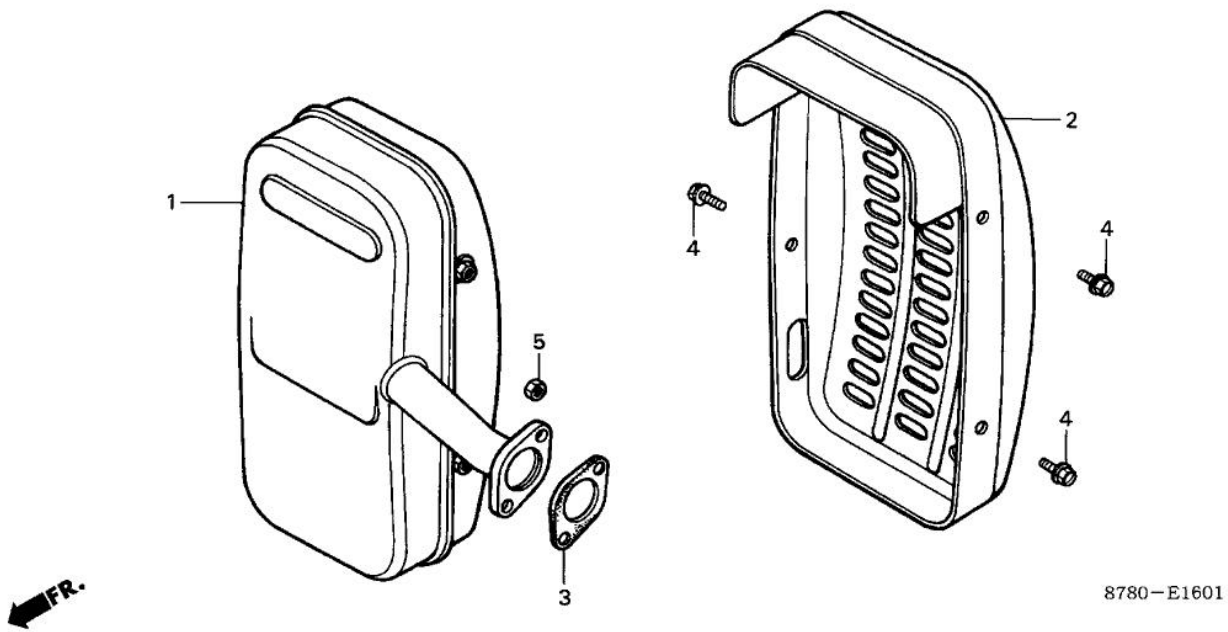
ENGINE

Illustration

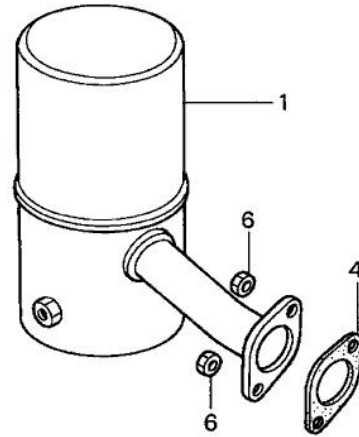
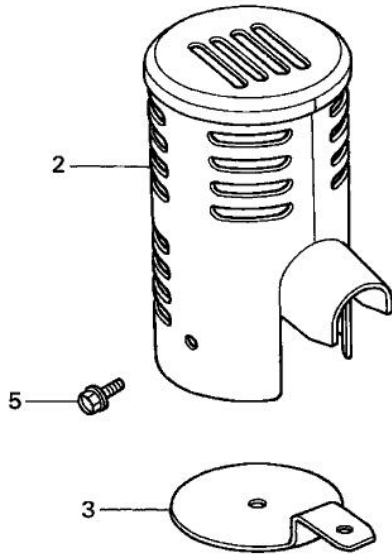
FUEL TANK



| Ref. | Part Number | Part Description | | Qty. |
|------|-----------------|--|-----------------|------|
| 001 | 16950-878-005 | PETCOCK ASSY. | (NOT AVAILABLE) | 001 |
| 002 | 16952-081-005 | COVER, PETCOCK | (NOT AVAILABLE) | 001 |
| 003 | 16953-081-005 | LEVER, PETCOCK | (NOT AVAILABLE) | 001 |
| 004 | 16954-081-005 | SCREEN, PETCOCK STRAINER | | 001 |
| 005 | 16955-268-020 | GASKET, PETCOCK VALVE | | 001 |
| 006 | 16956-ZE1-811 | SPRING, PETCOCK LEVER | | 001 |
| 007 | 16958-081-005 | GASKET, FUEL STRAINER CUP | (NOT AVAILABLE) | 001 |
| 009 | 16962-081-005 | NUT, TURN BUCKLE | (NOT AVAILABLE) | 001 |
| 014 | 17510-878-000XC | TANK, FUEL(MCKINLEY WHITE) | (NOT AVAILABLE) | 001 |
| 015 | 17521-878-000H | STAY, FUEL TANK(BRIGHT RED) | (NOT AVAILABLE) | 001 |
| 016 | 17620-102-730 | CAP, SUB-TANK | | 001 |
| 017 | 17631-096-701 | GASKET, FUEL FILLER CAP | | 001 |
| 018 | 94050-06000 | NUT, FLANGE (6MM) | | 002 |
| 019 | 87522-836-670 | MARK A, CAUTION | | 001 |
| 021 | 93500-03006-0A | SCREW, PAN (3X6) | | 002 |
| 023 | 95001-45003-60M | BULK HOSE, FUEL (4.5X3000) OEM CUT SIZE: (95001-450(95001-45001-60M) | | 001 |
| 023 | 95001-45003-60M | BULK HOSE, FUEL (4.5X3000) OEM CUT SIZE: (95001-450(95001-45001-60M) | | 001 |
| 024 | 95002-02080 | CLIP, TUBE (B8) | | 002 |
| 025 | 95701-06012-08 | BOLT, FLANGE (6X12) | | 004 |



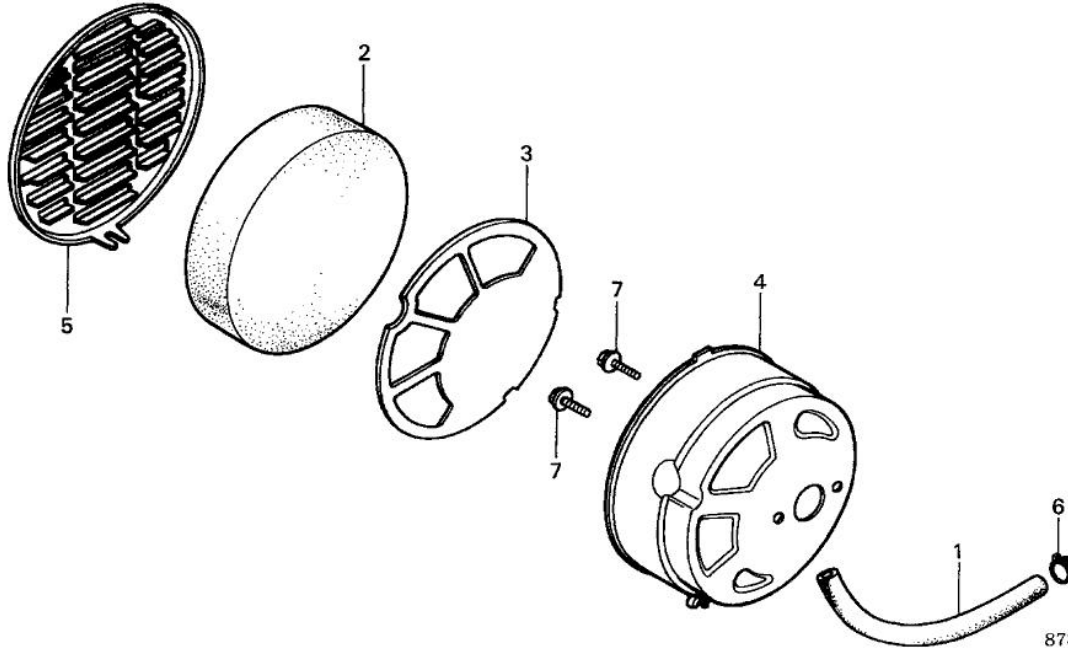
| Ref. | Part Number | Part Description | Qty. |
|------|----------------|-------------------------|------|
| 001 | 18310-878-630 | MUFFLER (NOT AVAILABLE) | (1) |
| 002 | 18361-878-630 | PROTECTOR, MUFFLER | (1) |
| 003 | 18381-878-306 | GASKET, MUFFLER | (1) |
| 004 | 93000-06006 | BOLT, HEX. (6X6) | (3) |
| 005 | 94001-06080-0S | NUT, HEX. (6MM) | (2) |



8780-E1600



| Ref. | Part Number | Part Description | | Qty. |
|------|----------------|------------------------|-----------------|------|
| 001 | 18310-878-000 | MUFFLER | (NOT AVAILABLE) | 001 |
| 001 | 18310-878-810 | MUFFLER | (NOT AVAILABLE) | (1) |
| 002 | 18361-878-810 | PROTECTOR, MUFFLER | (NOT AVAILABLE) | (1) |
| 003 | 18365-878-810 | PLATE, MUFFLER (LOWER) | (NOT AVAILABLE) | (1) |
| 004 | 18381-878-306 | GASKET, MUFFLER | | 001 |
| 005 | 93000-06006 | BOLT, HEX. (6X6) | | (3) |
| 006 | 94001-06080-0S | NUT, HEX. (6MM) | | 002 |



8780-E1500

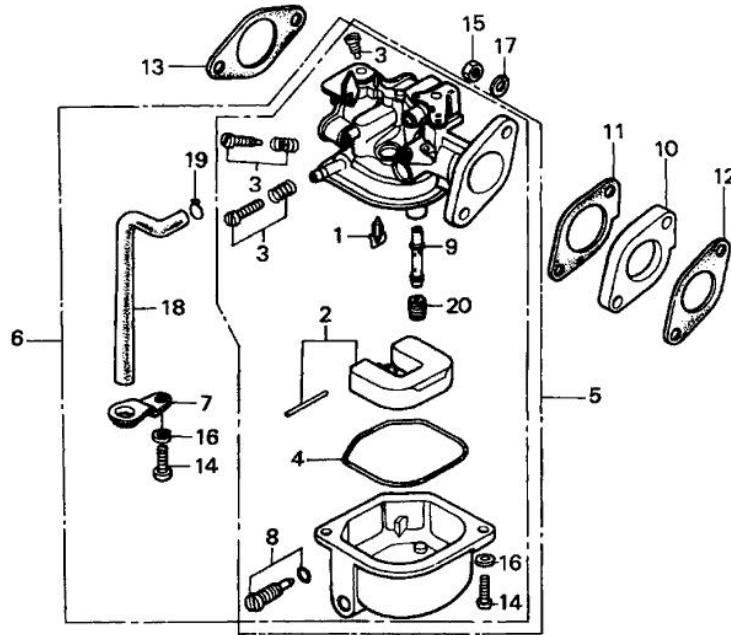
| Ref. | Part Number | Part Description | Qty. |
|------|-----------------|--|------|
| 001 | 12377-878-000 | TUBE, BREATHER (NOT AVAILABLE) | (1) |
| 001 | 95001-80001-60M | BULK HOSE, FUEL (8X1000) OEM CUT SIZE: (8X125) | 001 |
| 002 | 17211-883-010 | ELEMENT, AIR CLEANER | 001 |
| 003 | 17212-878-000 | GRID, AIR CLEANER (NOT AVAILABLE) | 001 |
| 004 | 17220-878-000 | HOUSING, AIR CLEANER (NOT AVAILABLE) | 001 |
| 005 | 17231-878-000 | COVER, AIR CLEANER (NOT AVAILABLE) | 001 |
| 006 | 95002-02130 | CLIP, TUBE (B12.5) | 001 |
| 007 | 95701-06012-08 | BOLT, FLANGE (6X12) | 002 |

Section

ENGINE

Illustration

CARBURETOR



8780-E1400

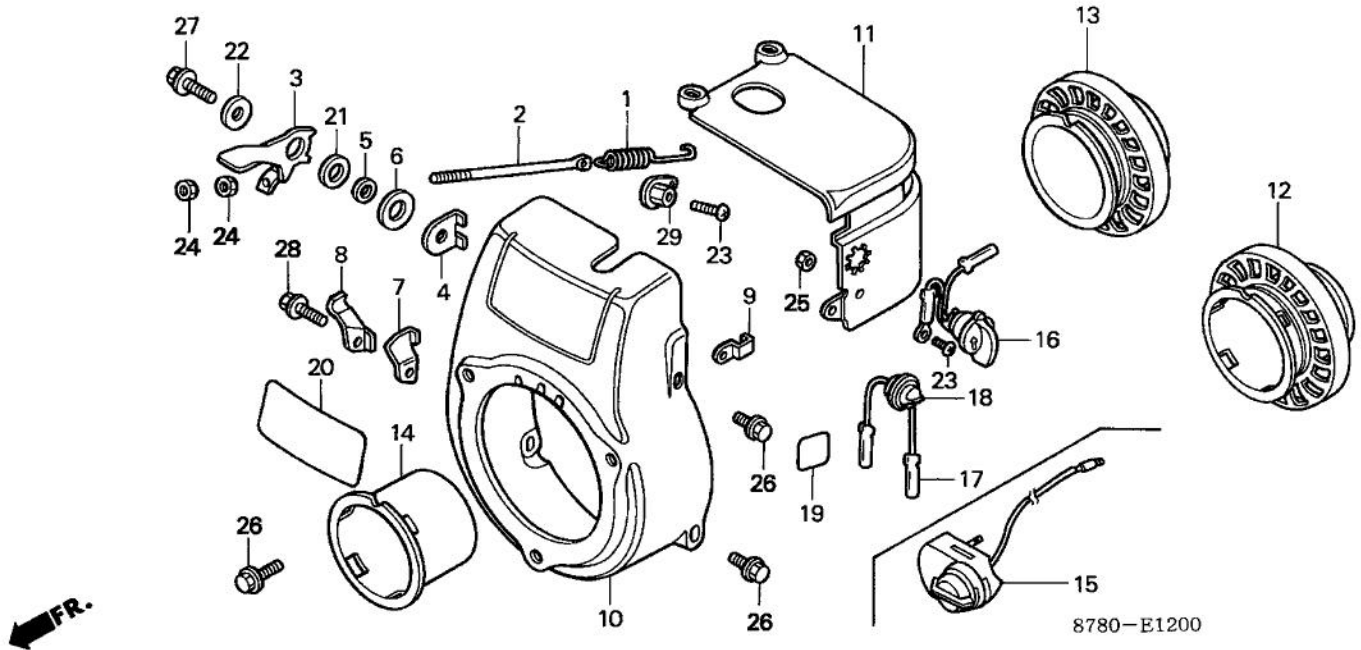
| Ref. | Part Number | Part Description | Qty. |
|------|-----------------|--|------|
| 001 | 16011-721-004 | VALVE SET, FLOAT (NOT AVAILABLE) | 001 |
| 002 | 16013-721-004 | FLOAT SET (CARBURETOR NO.) | 001 |
| 002 | 16013-721-014 | FLOAT SET (CARBURETOR NO.) (NOT AVAILABLE) | 001 |
| 003 | 16016-721-004 | SCREW SET (CARBURETOR NO.) (NOT AVAILABLE) | 001 |
| 003 | 16016-721-305 | SCREW SET (CARBURETOR NO.) | 001 |
| 004 | 16075-878-004 | O-RING (NOT AVAILABLE) | 001 |
| 005 | 16100-878-004 | CARBURETOR ASSY. (BB01A A) | 001 |
| 006 | 16100-878-425 | CARBURETOR ASSY. (BB04A C) (N/A: USE COMPONENT PA... | 001 |
| 007 | 16119-878-700 | PLATE, STAY (CARBURETOR NO.) | 001 |
| 008 | 16162-878-004 | SCREW, DRAIN (NOT AVAILABLE) | 001 |
| 009 | 16166-878-004 | NOZZLE, MAIN (NOT AVAILABLE) | 001 |
| 010 | 16211-878-000 | INSULATOR, CARBURETOR (NOT AVAILABLE) | 001 |
| 011 | 16221-878-000 | GASKET A, CARBURETOR INSULATOR (NOT AVAILABLE) | 001 |
| 012 | 16222-878-000 | GASKET B, CARBURETOR INSULATOR (NOT AVAILABLE) | 001 |
| 013 | 17481-878-000 | GASKET, AIR CLEANER ELBOW (NOT AVAILABLE) | 001 |
| 014 | 93500-04012-0A | SCREW, PAN (4X12) | 002 |
| 015 | 94001-06080-0S | NUT, HEX. (6MM) | 002 |
| 016 | 94111-04000 | WASHER, SPRING (4MM) | 002 |
| 017 | 94111-06800 | WASHER, SPRING (6MM) | 002 |
| 018 | 95001-35003-60M | BULK HOSE, FUEL (3.5X3000) OEM CUT SIZE: (3.5X120)(CARBURETOR NO.) | 001 |
| 019 | 95002-02070 | CLIP, TUBE (B7) (CARBURETOR NO.) | 001 |
| 020 | 99105-663-0700 | JET, AIR (#70) (NOT AVAILABLE) | 001 |

Section

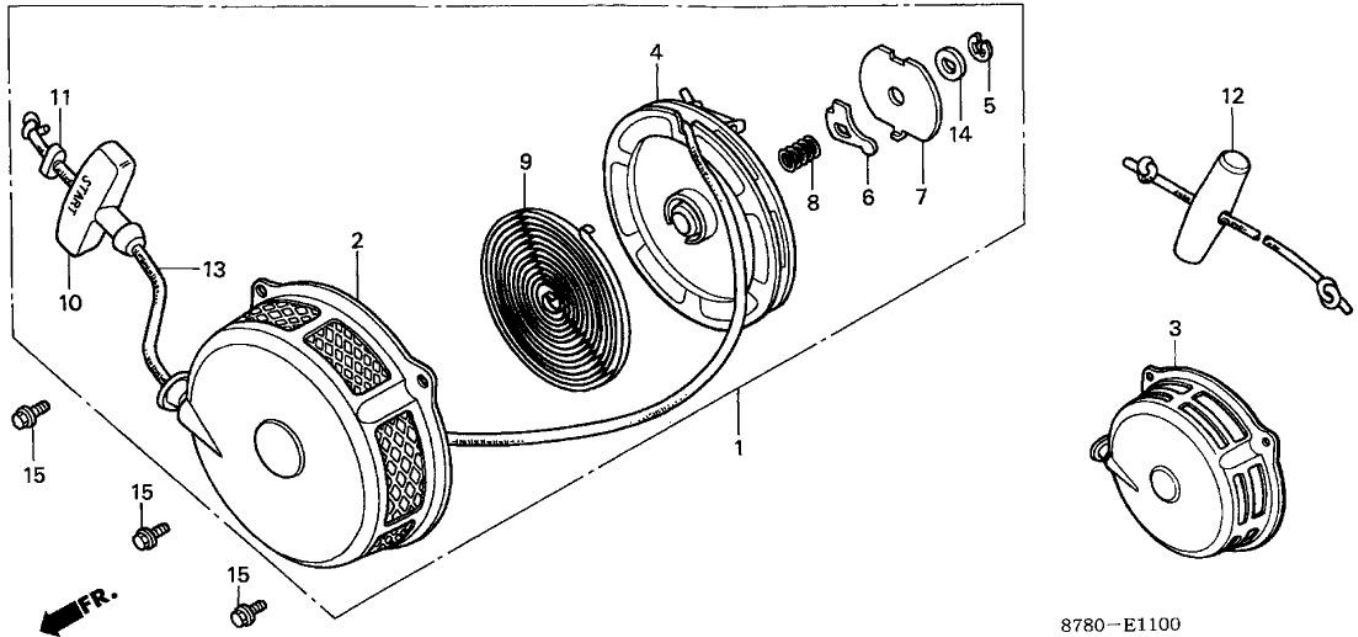
ENGINE

Illustration

FAN COVER - SIDE COVER



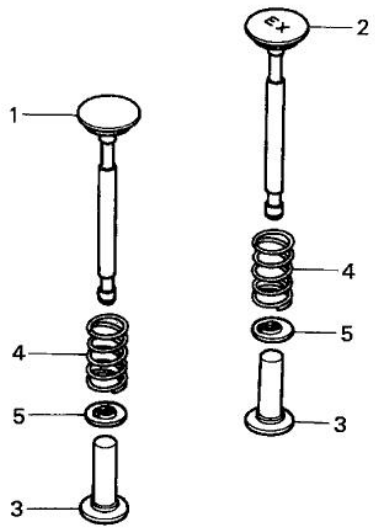
| Ref. | Part Number | Part Description | | Qty. |
|------|----------------|---------------------------|-----------------|------|
| 001 | 16561-878-000 | SPRING, GOVERNOR | (NOT AVAILABLE) | 001 |
| 002 | 16579-878-000 | ROD, ADJUSTING | (NOT AVAILABLE) | 001 |
| 003 | 16571-878-000 | LEVER, CONTROL | | 001 |
| 004 | 16572-878-000 | STOPPER, LEVER | | 001 |
| 005 | 16573-878-000 | SPACER, LEVER | | 001 |
| 006 | 16575-878-000 | SPRING, LEVER | | 001 |
| 007 | 16591-878-000 | STAY A, THROTTLE WIRE | | 001 |
| 007 | 16591-878-010 | STAY A, THROTTLE WIRE | (NOT AVAILABLE) | 001 |
| 008 | 16592-878-000 | STAY B, THROTTLE WIRE | | 001 |
| 008 | 16592-878-010 | STAY B, THROTTLE WIRE | (NOT AVAILABLE) | 001 |
| 010 | 19610-878-000H | COVER, FAN(BRIGHT RED) | (NOT AVAILABLE) | 001 |
| 011 | 19621-878-000H | COVER, SIDE(BRIGHT RED) | | 001 |
| 012 | 28451-878-660 | PULLEY, STARTER | (NOT AVAILABLE) | (1) |
| 013 | 28451-878-810 | PULLEY, STARTER | | 001 |
| 014 | 28454-878-000 | PULLEY, STARTER | | (1) |
| 014 | 28454-878-010 | PULLEY, STARTER | (NOT AVAILABLE) | (1) |
| 016 | 36100-865-003 | SWITCH ASSY., ENGINE STOP | | 001 |
| 017 | 36151-865-782 | WIRE A, ENGINE SWITCH | | (1) |
| 018 | 36151-873-740 | GROMMET, SIDE COVER | (NOT AVAILABLE) | (1) |
| 020 | 87521-878-660 | PLATE, DESCRIPTION | | 001 |
| 021 | 90451-878-000 | WASHER, THROTTLE LEVER | (NOT AVAILABLE) | 001 |
| 022 | 90545-292-000 | WASHER (6.5X20) | | 001 |
| 023 | 93500-05008-0H | SCREW, PAN (5X8) | | 001 |
| 024 | 94001-04080-0S | NUT, HEX. (4MM) | | 002 |
| 025 | 94001-05080-0S | NUT, HEX. (5MM) | | 001 |
| 026 | 95701-06012-08 | BOLT, FLANGE (6X12) | | 007 |
| 027 | 95701-06016-08 | BOLT, FLANGE (6X16) | | 001 |
| 028 | 95701-06012-08 | BOLT, FLANGE (6X12) | | 001 |



8780-E1100

| Ref. | Part Number | Part Description | Qty. |
|------|----------------|-----------------------------------|-------------------------|
| 001 | 28400-878-004H | STARTER ASSY., RECOIL(BRIGHT RED) | (1) |
| 001 | 28400-878-811H | STARTER ASSY., RECOIL | 001 |
| 001 | 28400-878-812H | STARTER ASSY., RECOIL(BRIGHT RED) | (N/A: SEE COMPON... 001 |
| 002 | 28410-878-004H | CASE, RECOIL STARTER(BRIGHT RED) | (NOT AVAILABLE) (1) |
| 003 | 28410-878-810H | CASE, RECOIL STARTER(BRIGHT RED) | 001 |
| 004 | 28420-878-810 | PULLEY, RECOIL STARTER | (NOT AVAILABLE) 001 |
| 005 | 28423-878-810 | E-RING | (NOT AVAILABLE) 001 |
| 006 | 28441-878-810 | RATCHET, STARTER | (NOT AVAILABLE) 001 |
| 007 | 28445-878-810 | PLATE, FRICTION | (NOT AVAILABLE) 001 |
| 008 | 28446-878-810 | SPRING, FRICTION | (NOT AVAILABLE) 001 |
| 009 | 28447-878-810 | SPRING, STARTER RETURN | (NOT AVAILABLE) 001 |
| 010 | 28461-878-810 | GRIP, STARTER | 001 |
| 011 | 28465-878-810 | STOPPER, ROPE | (NOT AVAILABLE) 001 |
| 012 | 28470-878-000 | ROPE, STARTER | (NOT AVAILABLE) (1) |
| 013 | 28471-878-810 | ROPE, STARTER | (NOT AVAILABLE) 001 |
| 014 | 90482-878-810 | WASHER | 001 |
| 014 | 90482-878-811 | WASHER | (NOT AVAILABLE) 001 |
| 015 | 95700-06010-08 | BOLT, FLANGE (6X10) | 003 |
| 015 | 95701-06010-08 | BOLT, FLANGE (6X10) | 003 |

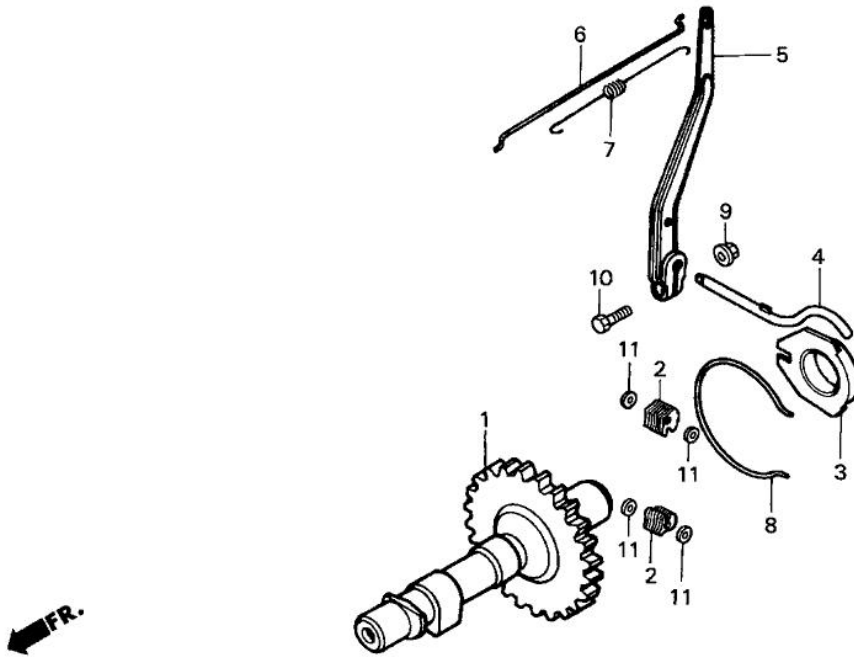
| | | | |
|----------------|---------------|---------------------|-----------------------------|
| Section | ENGINE | Illustration | VALVE - VALVE SPRING |
|----------------|---------------|---------------------|-----------------------------|



FR.

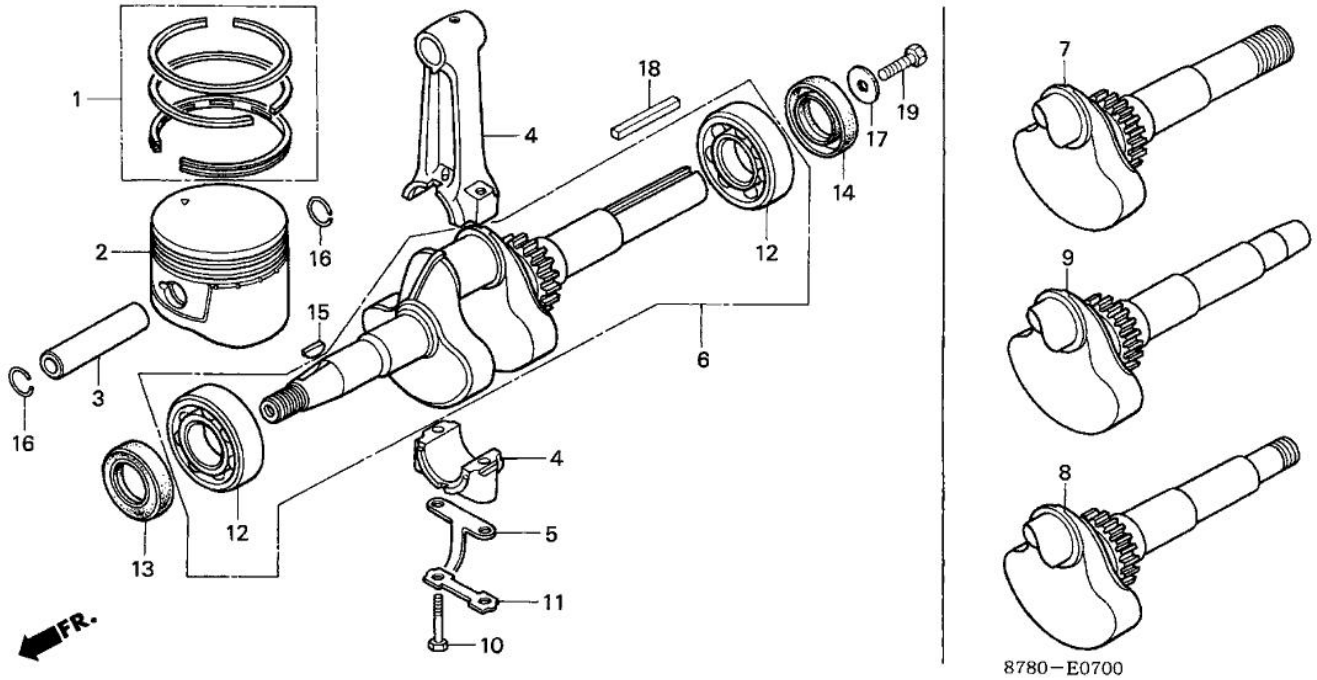
8780-E0910

| Ref. | Part Number | Part Description | Qty. |
|------|---------------|-------------------------------|------|
| 001 | 14711-878-000 | VALVE, IN. (NOT AVAILABLE) | 001 |
| 002 | 14721-822-020 | VALVE, EX. | 001 |
| 003 | 14738-878-000 | LIFTER, VALVE | 002 |
| 004 | 14751-822-000 | SPRING, VALVE (NOT AVAILABLE) | 002 |
| 005 | 14771-883-305 | RETAINER, VALVE SPRING | 002 |



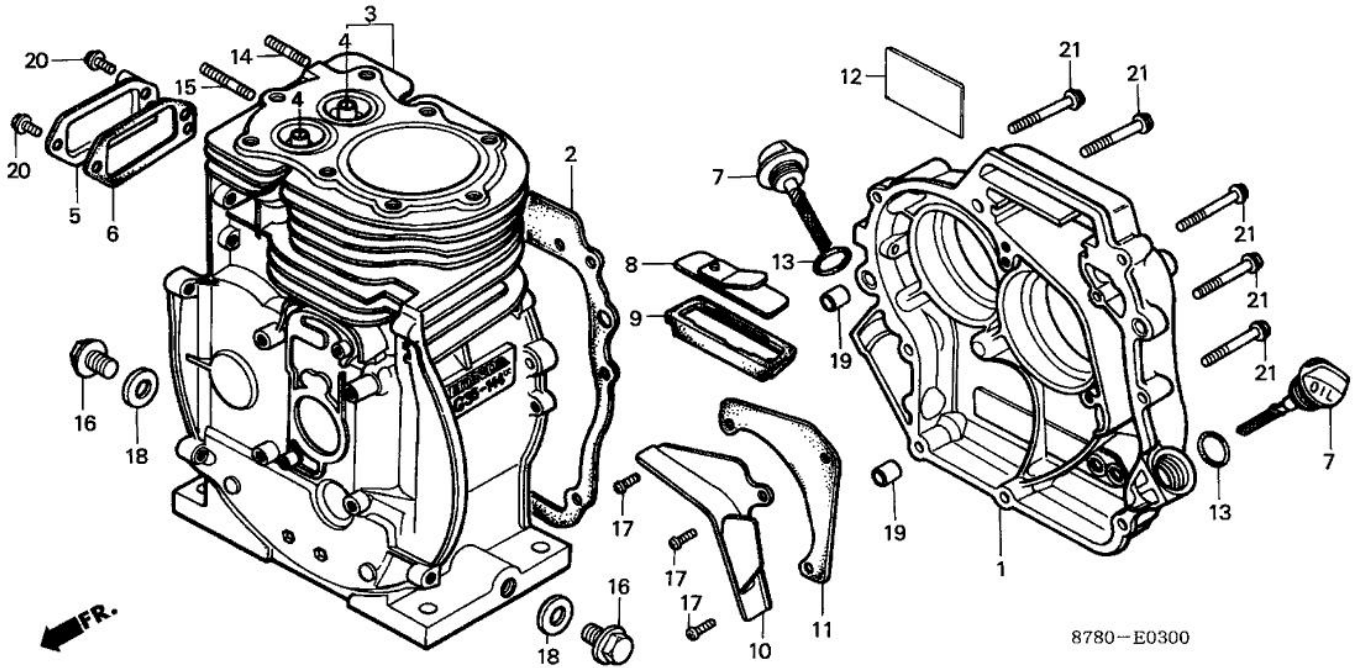
8780-E0900

| Ref. | Part Number | Part Description | Qty. |
|------|----------------|-------------------------|------|
| 001 | 14110-878-000 | CAMSHAFT | 001 |
| 002 | 16511-816-320 | WEIGHT, GOVERNOR | 024 |
| 003 | 16531-878-013 | SLIDER, GOVERNOR | 001 |
| 004 | 16541-878-000 | SHAFT, GOVERNOR ARM | 001 |
| 005 | 16551-878-010 | ARM, GOVERNOR | 001 |
| 006 | 16555-878-000 | ROD, GOVERNOR | 001 |
| 007 | 16562-878-000 | SPRING, THROTTLE RETURN | 001 |
| 008 | 16576-878-000 | CENTER, GOVERNOR WEIGHT | 001 |
| 009 | 94050-06000 | NUT, FLANGE (6MM) | 001 |
| 010 | 92101-06020-0H | BOLT, HEX. (6X20) | 001 |
| 011 | 94101-03000 | WASHER, PLAIN (3MM) | 004 |



8780-E0700

| Ref. | Part Number | Part Description | Qty. |
|------|---------------|------------------------------|-----------------|
| 001 | 13010-878-000 | RING SET, PISTON (STD) | 001 |
| 001 | 13010-887-000 | RING SET, PISTON (STD) | 001 |
| 001 | 13011-878-000 | RING SET, PISTON (0.25) | (1) |
| 001 | 13012-878-000 | RING SET, PISTON (0.50) | (1) |
| 001 | 13013-878-000 | RING SET, PISTON (0.75) | (1) |
| 002 | 13101-878-000 | PISTON (STD) | (NOT AVAILABLE) |
| 002 | 13102-878-000 | PISTON (0.25) | (NOT AVAILABLE) |
| 002 | 13103-878-000 | PISTON (0.50) | (1) |
| 002 | 13104-878-000 | PISTON (0.75) | (1) |
| 003 | 13111-300-000 | PIN, PISTON | 001 |
| 004 | 13210-878-000 | ROD, CONNECTING | (NOT AVAILABLE) |
| 004 | 13210-878-305 | ROD, CONNECTING (UNDER SIZE) | (NOT AVAILABLE) |
| 005 | 13281-878-000 | DIPPER | (NOT AVAILABLE) |
| 006 | 13310-878-660 | CRANKSHAFT | 001 |
| 010 | 90001-878-000 | BOLT, HEX. (6X37) | 002 |
| 011 | 90431-878-000 | WASHER, TONGUED | (NOT AVAILABLE) |
| 012 | 91001-878-003 | BEARING, RADIAL BALL | 002 |
| 013 | 91202-878-003 | OIL SEAL (22X35X6) | 001 |
| 013 | 91202-ZE6-013 | OIL SEAL (22X35X6) | 001 |
| 014 | 91203-ZE0-013 | OIL SEAL (22X41X6) | 001 |
| 015 | 94401-25140 | KEY, WOODRUFF (25X14) | 001 |
| 016 | 94601-15000 | CLIP, PISTON PIN (15MM) | 002 |



| Ref. | Part Number | Part Description | Qty. |
|------|----------------|---------------------------|------------------------|
| 001 | 11310-878-660 | COVER, CRANKCASE | 001 |
| 001 | 11310-878-661 | COVER, CRANKCASE | (NOT AVAILABLE) 001 |
| 002 | 11381-878-000 | GASKET, CRANKCASE COVER | (NOT AVAILABLE) 001 |
| 003 | 12100-878-010 | CYLINDER | 001 |
| 004 | 12134-878-000 | GUIDE, VALVE (OVER SIZE) | (NOT AVAILABLE) (2) |
| 005 | 12361-878-000 | COVER, TAPPET ROOM | 001 |
| 006 | 12375-878-000 | GASKET, TAPPET COVER | (NOT AVAILABLE) 001 |
| 007 | 15620-878-000 | CAP, OIL | (NOT AVAILABLE) 002 |
| 008 | 15710-878-000 | PLATE, BREATHER | (NOT AVAILABLE) 001 |
| 009 | 15721-878-000 | RUBBER, BREATHER PLATE | 001 |
| 010 | 15731-878-000 | SEPARATOR, BREATHER | 001 |
| 011 | 15735-878-000 | GASKET, SEPARATOR | (NOT AVAILABLE) 001 |
| 013 | 91303-800-000 | O-RING (16MM) | 002 |
| 014 | 92900-06016-0B | BOLT, STUD (6X16) | 002 |
| 015 | 92900-06025-0B | BOLT, STUD (6X25) | 002 |
| 016 | 92800-12000 | BOLT, DRAIN PLUG (12MM) | 002 |
| 017 | 93500-05012-0H | SCREW, PAN (5X12) | 003 |
| 018 | 94109-12000 | WASHER, DRAIN PLUG (12MM) | 002 |
| 019 | 94301-08140 | PIN, DOWEL (8X14) | 002 |
| 020 | 95701-06012-08 | BOLT, FLANGE (6X12) | 002 |
| 021 | 95701-06032-08 | BOLT, FLANGE (6X32) | 008 |