

TRU-POWER, INC.

Product Line **GENERAL PURPOSE ENGINE**
Type **QJ0**

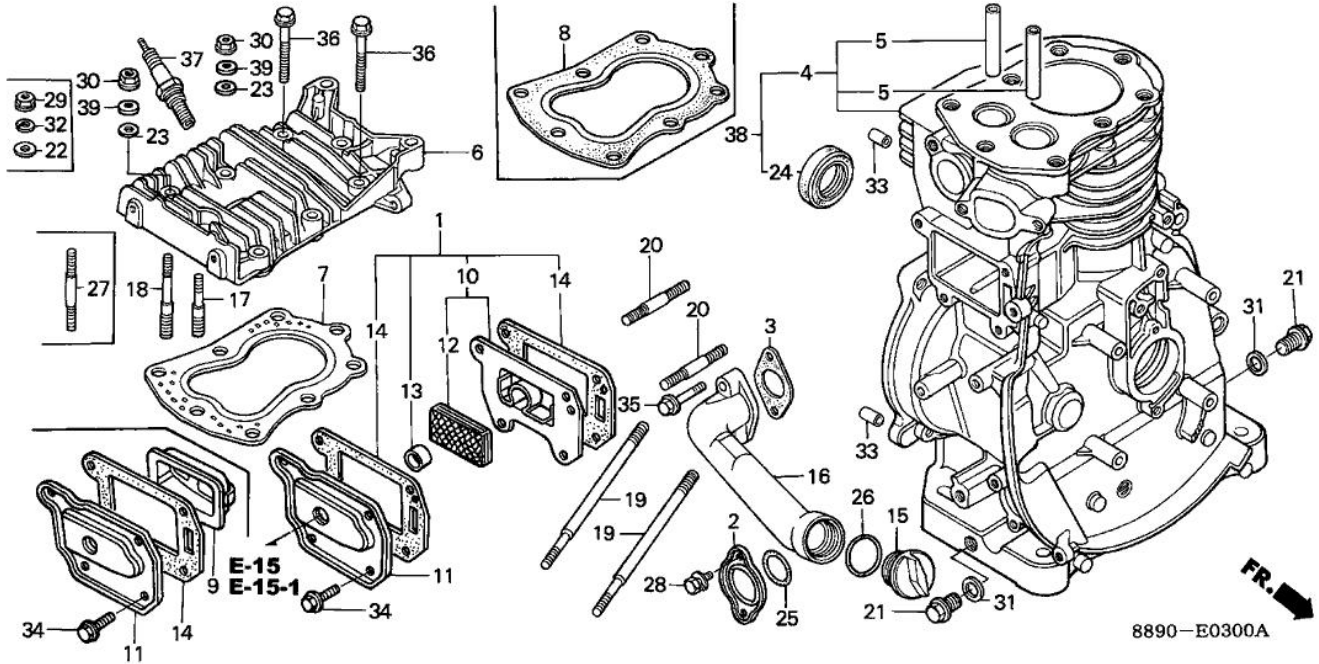
Model Name **G300**

Mfg

Section **ENGINE**

Illustration

CYLINDER



| Ref. | Part Number | Part Description | Qty. |
|------|----------------|--|------|
| 001 | 06123-889-305 | CASE KIT, BREATHER (NOT AVAILABLE) | (1) |
| 002 | 11210-822-010 | COVER, OIL PAN HOLE | 001 |
| 003 | 11211-822-000 | GASKET, OIL PAN HOLE COVER (NOT AVAILABLE) | (1) |
| 004 | 12100-889-335 | CYLINDER (CRANKSHAFT P.T.O.) | 001 |
| 004 | 12100-889-335 | CYLINDER (CRANKSHAFT P.T.O.) | 001 |
| 004 | 12100-889-345 | CYLINDER | 001 |
| 005 | 12134-889-305 | GUIDE, VALVE | (2) |
| 006 | 12221-889-305 | CYLINDER HEAD | 001 |
| 006 | 12221-889-315 | CYLINDER HEAD (NOT AVAILABLE) | 001 |
| 008 | 12281-889-315 | GASKET, CYLINDER HEAD | 001 |
| 009 | 12360-889-010 | CASE, BREATHER | 001 |
| 010 | 12360-889-010 | CASE, BREATHER | 001 |
| 011 | 12361-889-000 | COVER, TAPPET ROOM | 001 |
| 012 | 12367-883-003 | FILTER, BREATHER | 001 |
| 013 | 12369-883-000 | SEAL, BREATHER | 001 |
| 014 | 12375-889-000 | GASKET, TAPPET COVER | 001 |
| 014 | 12375-889-000 | GASKET, TAPPET COVER | 002 |
| 015 | 15611-921-000 | CAP, OIL (YELLOW) | (1) |
| 016 | 15632-890-000 | PIPE, OIL | (1) |
| 016 | 15632-890-010 | PIPE, OIL (NOT AVAILABLE) | (1) |
| 017 | 90032-889-000 | BOLT, STUD (M8XM10X63) | 002 |
| 018 | 90033-889-000 | BOLT, STUD (M8XM10X81) | 001 |
| 019 | 90042-890-010 | BOLT, STUD (8X110) | 002 |
| 019 | 90042-890-680 | BOLT, STUD (8X104) | 002 |
| 020 | 90047-883-000 | BOLT, STUD (8X35) | 002 |
| 021 | 90131-896-650 | BOLT, DRAIN PLUG (12X15) | 002 |
| 022 | 90402-822-000 | WASHER, HEAD (8MM) | 001 |
| 023 | 90430-657-000 | WASHER (23X8.3X3.2) | 003 |
| 024 | 91202-883-005 | OIL SEAL (25X41X6) | 001 |
| 025 | 91301-028-000 | O-RING (27X2.0) | 001 |
| 026 | 91301-805-000 | O-RING (26X2.7) | (1) |
| 027 | 92700-08065-3B | BOLT, STUD (8X65) | 001 |

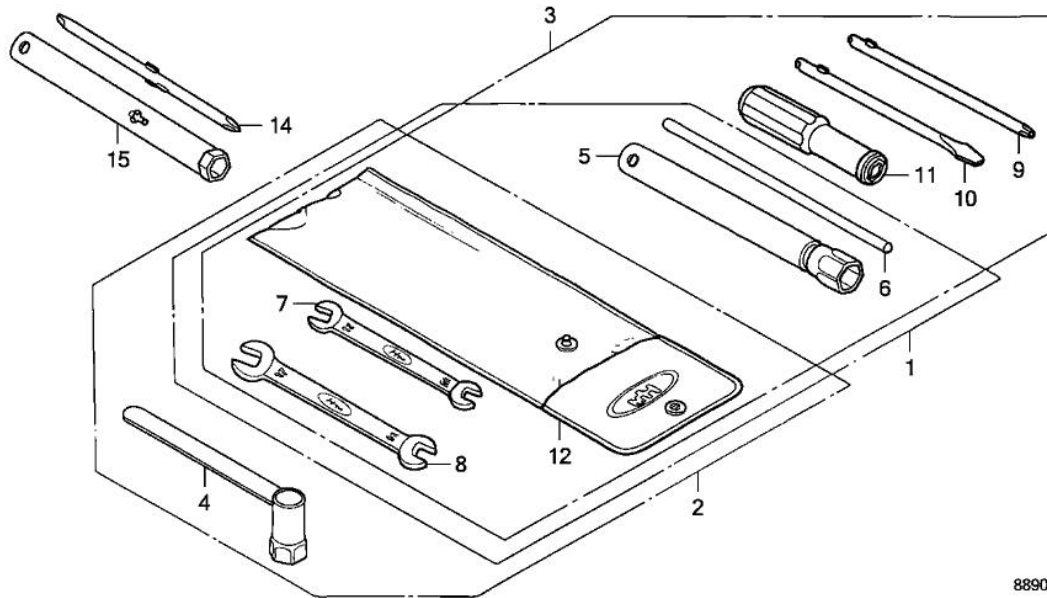
| Ref. | Part Number | Part Description | Qty. |
|------|----------------|----------------------------------|---------------------|
| 027 | 92700-08080-3B | BOLT, STUD (8X80) | (NOT AVAILABLE) 001 |
| 027 | 92700-08080-3B | BOLT, STUD (8X80) | (NOT AVAILABLE) 001 |
| 028 | 93402-06012-08 | BOLT-WASHER (6X12) | 002 |
| 029 | 94050-08080 | NUT, FLANGE (8MM) | 001 |
| 030 | 94071-08080 | NUT-WASHER (8MM) | 003 |
| 031 | 94109-12000 | WASHER, DRAIN PLUG (12MM) | 002 |
| 032 | 94111-08000 | WASHER, SPRING (8MM) | 001 |
| 033 | 94301-08140 | PIN, DOWEL (8X14) | 002 |
| 034 | 95701-06012-08 | BOLT, FLANGE (6X12) | 004 |
| 035 | 95700-06025-08 | BOLT, FLANGE (6X25) | (2) |
| 035 | 95701-06025-08 | BOLT, FLANGE (6X25) | (2) |
| 036 | 95730-08050-08 | BOLT, FLANGE (8X50) | (NOT AVAILABLE) 005 |
| 036 | 95730-08050-08 | BOLT, FLANGE (8X50) | (NOT AVAILABLE) 007 |
| 037 | 98076-54710 | SPARK PLUG (B-4H) (NGK) | (1) |
| 037 | 98076-54716 | SPARK PLUG (BR-4HS) (NGK) | (1) |
| 037 | 98076-54720 | SPARK PLUG (W14F-U) (DENSO) | (1) |
| 037 | 98076-54757 | SPARK PLUG (W14FR-U) | (1) |
| 037 | 98076-54917 | SPARK PLUG (BPR4HS-10) | (1) |
| 037 | 98076-54919 | SPARK PLUG (BP4HS-10) | (1) |
| 037 | 98076-54921 | SPARK PLUG (W14FP-UL10) (DENSO) | (1) |
| 037 | 98076-54954 | SPARK PLUG (W14FPR-UL10) (DENSO) | (1) |
| 037 | 98076-56724 | SPARK PLUG (W20FS-U) (DENSO) | (1) |
| 037 | 98076-56927 | SPARK PLUG (W20FPR-U10) (DENSO) | (1) |

Section

ENGINE

Illustration

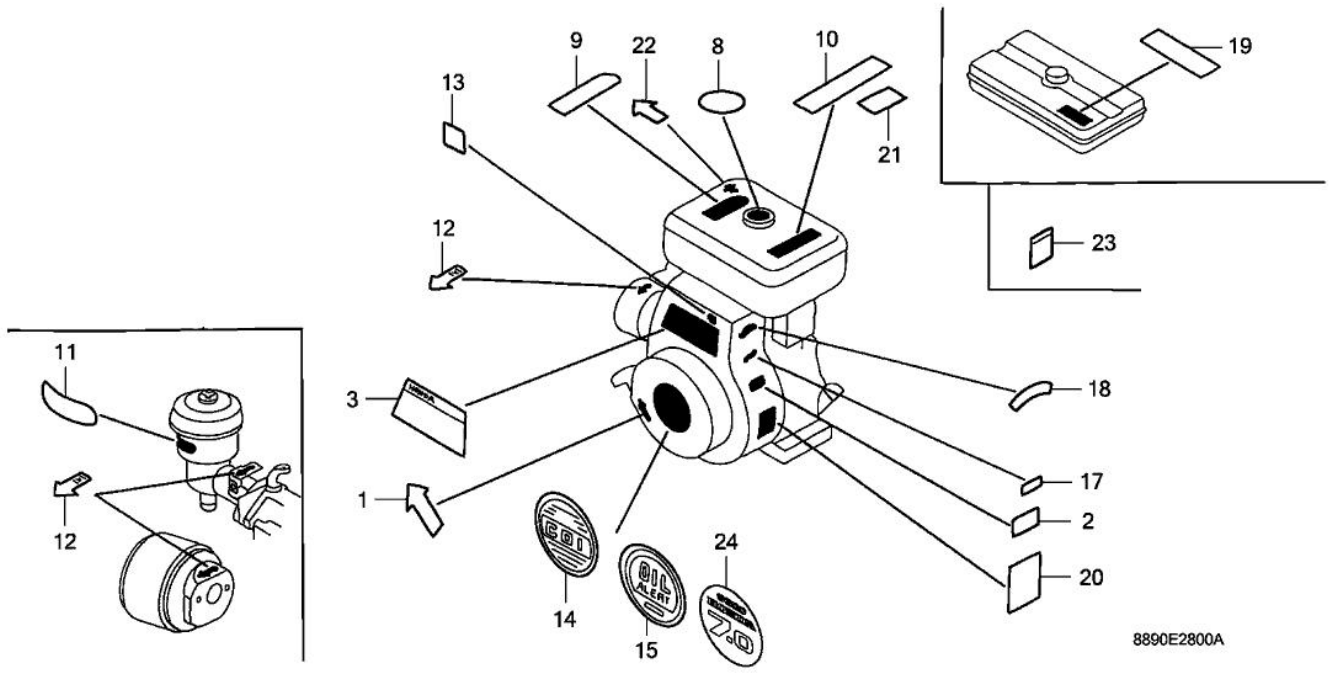
TOOL



8890E2900B

| Ref. | Part Number | Part Description | Qty. |
|------|---------------|--------------------|------|
| 005 | 89216-809-000 | WRENCH, SPARK PLUG | 001 |

| Section | ENGINE | Illustration | LABEL |
|---------|--------|--------------|-------|
|---------|--------|--------------|-------|



8890E2800A

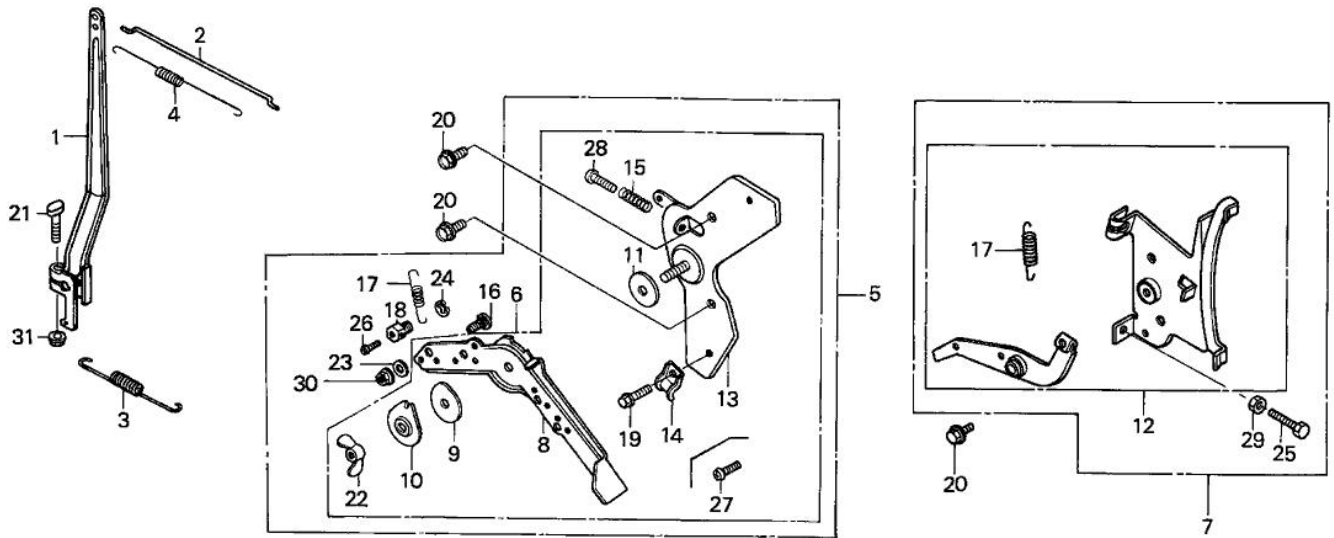
| Ref. | Part Number | Part Description | Qty. |
|------|---------------|---|------|
| 001 | 87103-883-000 | MARK, STARTING (NOT AVAILABLE) | 001 |
| 003 | 87521-889-600 | EMBLEM (ENGLISH/FRENCH/SPANISH) | 001 |
| 003 | 87521-889-601 | EMBLEM (ENGLISH/FRENCH/SPANISH) (NOT AVAILABLE) | 001 |
| 009 | 87522-883-660 | MARK, CAUTION (ENGLISH/FRENCH/SPANISH) | 001 |
| 012 | 87528-883-661 | MARK, CHOKE | 001 |
| 017 | 87544-889-800 | MARK, FUSE (1.5A) | 001 |
| 018 | 87546-889-800 | MARK, ENGINE SWITCH | 001 |
| 020 | 87594-883-000 | MARK, OIL CAUTION | 001 |

Section

ENGINE

Illustration

CONTROL

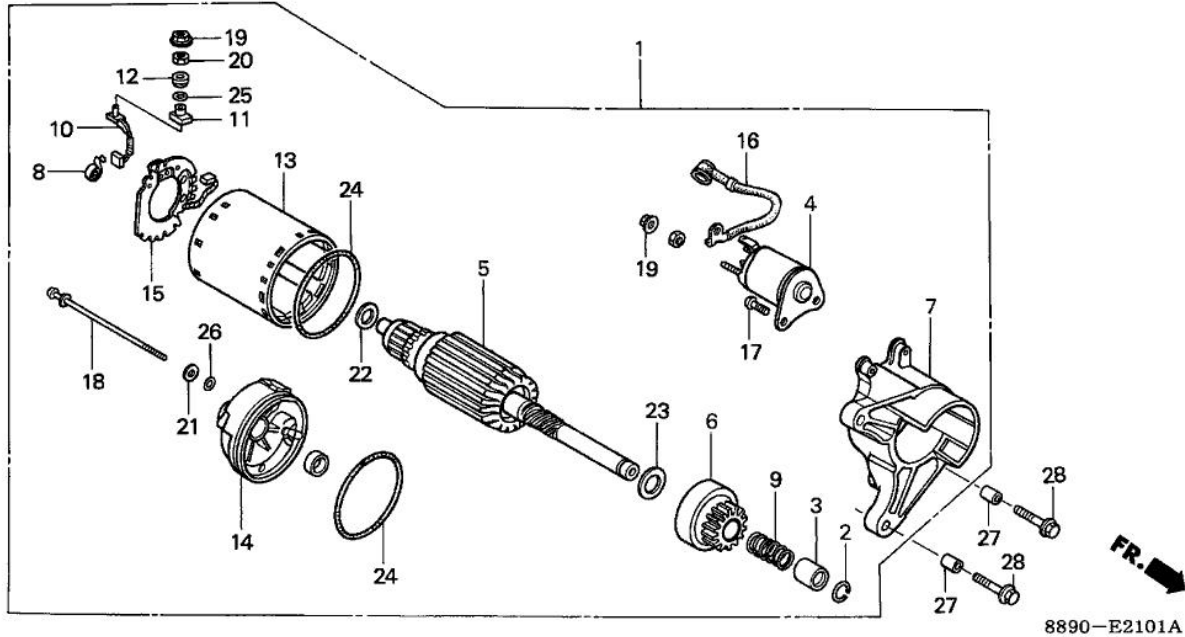


8890-E2200A



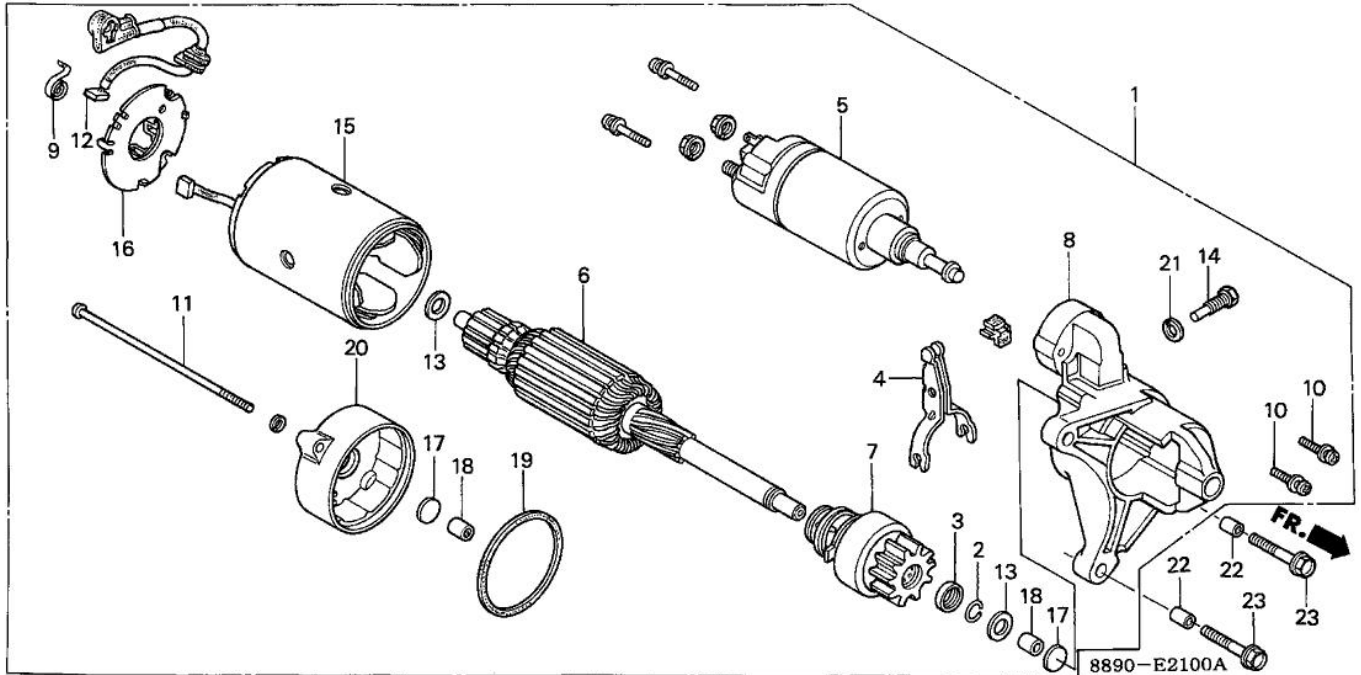
| Ref. | Part Number | Part Description | Qty. |
|------|----------------|-----------------------------|---------------------|
| 001 | 16551-889-010 | ARM, GOVERNOR | 001 |
| 002 | 16555-889-010 | ROD, GOVERNOR | 001 |
| 003 | 16561-890-010 | SPRING, GOVERNOR | 001 |
| 003 | 16561-890-601 | SPRING, GOVERNOR | 001 |
| 004 | 16562-889-000 | SPRING, THROTTLE RETURN | 001 |
| 004 | 16562-889-010 | SPRING, THROTTLE RETURN | (NOT AVAILABLE) 001 |
| 005 | 16570-883-010 | CONTROL ASSY. | (1) |
| 006 | 16570-883-661 | CONTROL ASSY. | 001 |
| 008 | 16571-883-300 | LEVER, CONTROL | (1) |
| 008 | 16571-883-300 | LEVER, CONTROL | 001 |
| 009 | 16574-883-300 | SPRING, LEVER | (1) |
| 009 | 16574-883-300 | SPRING, LEVER | 001 |
| 010 | 16575-883-300 | WASHER, CONTROL LEVER | (1) |
| 010 | 16575-883-300 | WASHER, CONTROL LEVER | 001 |
| 011 | 16576-883-300 | SPACER, CONTROL LEVER | (1) |
| 011 | 16576-883-300 | SPACER, CONTROL LEVER | 001 |
| 013 | 16581-883-320 | BASE, CONTROL LEVER | (1) |
| 013 | 16581-883-320 | BASE, CONTROL LEVER | 001 |
| 014 | 16582-883-300 | HOLDER, CONTROL CABLE | (1) |
| 014 | 16582-883-300 | HOLDER, CONTROL CABLE | 001 |
| 015 | 16584-883-300 | SPRING, CONTROL ADJUSTING | (1) |
| 015 | 16584-883-300 | SPRING, CONTROL ADJUSTING | 001 |
| 017 | 16592-883-310 | SPRING, CABLE RETURN | (1) |
| 018 | 16594-883-010 | HOLDER, WIRE | (1) |
| 019 | 90002-892-000 | BOLT, FLANGE (5X10) | (1) |
| 019 | 90002-892-000 | BOLT, FLANGE (5X10) | 001 |
| 020 | 90013-883-000 | BOLT, FLANGE (6X12) (CT200) | 002 |
| 021 | 90015-ZE3-790 | BOLT, GOVERNOR ARM | 001 |
| 022 | 90352-883-003 | WINGNUT (6MM) | (1) |
| 022 | 90352-883-003 | WINGNUT (6MM) | 001 |
| 024 | 90605-230-000 | CIRCLIP (5MM) | (1) |
| 026 | 93500-04006-0H | SCREW, PAN (4X6) | (1) |

| Ref. | Part Number | Part Description | Qty. |
|------|----------------|-------------------|------|
| 027 | 93500-05010-0A | SCREW, PAN (5X10) | 001 |
| 028 | 93500-05022-0A | SCREW, PAN (5X22) | (1) |
| 028 | 93500-05022-0A | SCREW, PAN (5X22) | 001 |
| 031 | 94050-06080 | NUT, FLANGE (6MM) | 001 |



| Ref. | Part Number | Part Description | Qty. |
|------|----------------|-------------------------------------|------|
| 001 | 31200-ZA1-003 | STARTER MOTOR ASSY. | 001 |
| 002 | 31201-ZA1-003 | RING, SNAP | 001 |
| 003 | 31202-ZA1-003 | COLLAR, CLUTCH STOP | 001 |
| 004 | 31204-ZA0-003 | CONTACTOR ASSY. | 001 |
| 004 | 31204-ZA1-003 | CONTACTOR ASSY. | 001 |
| 005 | 31206-ZA1-003 | ARMATURE | 001 |
| 006 | 31207-ZA1-003 | CLUTCH ASSY., OVERRUNNING | 001 |
| 007 | 31208-ZA1-003 | HOUSING, DRIVE SIDE | 001 |
| 007 | 31208-ZA1-013 | HOUSING, DRIVE SIDE | 001 |
| 008 | 31212-ZA0-700 | SPRING, BRUSH | 002 |
| 009 | 31212-ZA1-003 | SPRING | 001 |
| 010 | 31215-ZA1-003 | BRUSH (NOT AVAILABLE) | 001 |
| 010 | 31215-ZA1-013 | BRUSH | 001 |
| 011 | 31216-ZA1-003 | BUSH, INSULATION (NOT AVAILABLE) | 001 |
| 011 | 31216-ZA1-013 | BUSH, INSULATION | 001 |
| 012 | 31217-ZA1-003 | BUSH, INSULATION (NOT AVAILABLE) | 001 |
| 012 | 31217-ZA1-013 | BUSH, INSULATION | 001 |
| 013 | 31218-ZA1-003 | YOKE (NOT AVAILABLE) | 001 |
| 013 | 31218-ZA1-013 | YOKE | 001 |
| 014 | 31219-ZA1-003 | FRAME, STARTER END | 001 |
| 014 | 31219-ZA1-013 | FRAME, STARTER END | 001 |
| 015 | 31231-ZA1-003 | PLATE, BRUSH HOLDER | 001 |
| 016 | 31232-ZA1-003 | WIRE, WATER COVER (NOT AVAILABLE) | 001 |
| 016 | 31232-ZA1-013 | WIRE, WATER COVER | 001 |
| 017 | 93892-05014-08 | SCREW-WASHER (5X14) | 002 |
| 018 | 90102-ZA1-003 | BOLT, THROUGH | 002 |
| 018 | 90102-ZA1-013 | BOLT, THROUGH | 002 |
| 019 | 90201-ZA1-003 | NUT | 003 |
| 020 | 90202-ZA1-003 | NUT | 001 |
| 021 | 90401-ZA1-003 | WASHER, STEEL PLATE (NOT AVAILABLE) | 002 |
| 022 | 90402-ZA1-003 | WASHER | 002 |
| 023 | 90403-ZA1-003 | WASHER | 001 |

| Ref. | Part Number | Part Description | Qty. |
|------|----------------|---------------------|------|
| 024 | 31212-HA0-682 | O-RING | 001 |
| 024 | 31212-HA0-682 | O-RING | 002 |
| 025 | 91302-ZA1-003 | O-RING | 001 |
| 025 | 91302-ZA1-013 | O-RING | 001 |
| 026 | 91303-ZA1-003 | O-RING | 002 |
| 027 | 94301-10160 | PIN, DOWEL (10X16) | 002 |
| 028 | 95701-08035-08 | BOLT, FLANGE (8X35) | 002 |



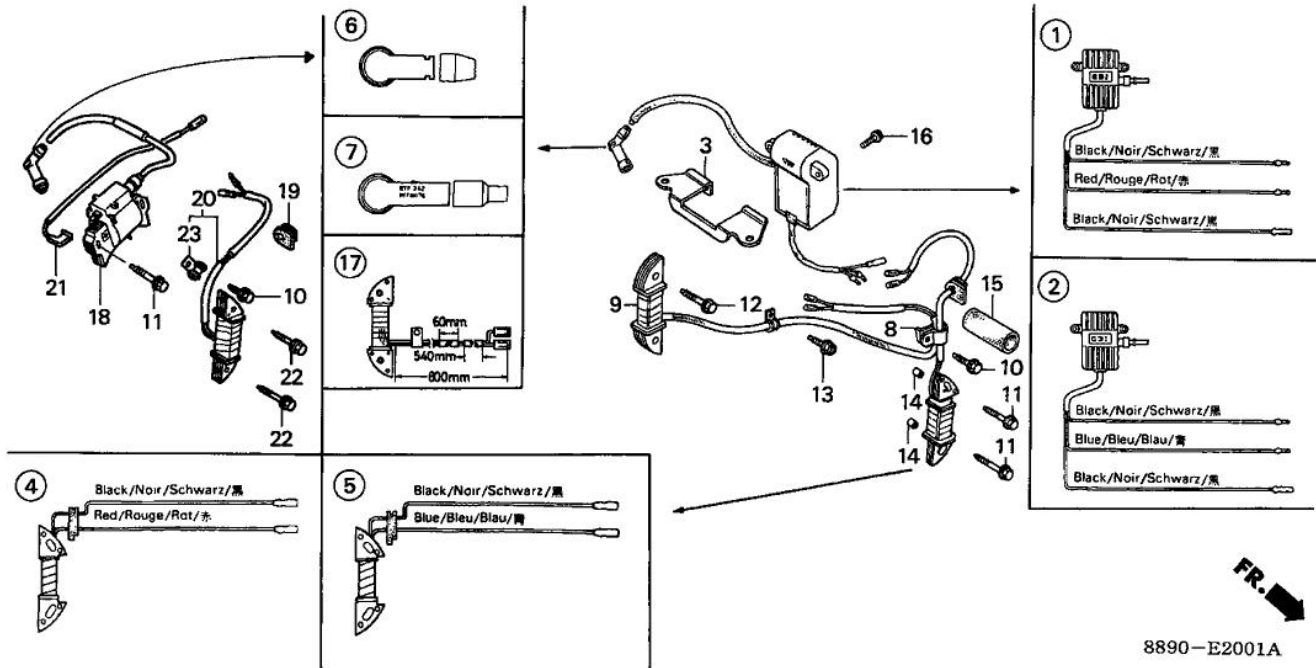
| Ref. | Part Number | Part Description | Qty. |
|------|----------------|--------------------------------|---------------------|
| 001 | 31200-890-802 | STARTER MOTOR ASSY. | 001 |
| 002 | 31201-590-004 | RING, SNAP | (NOT AVAILABLE) 001 |
| 003 | 31202-590-004 | COLLAR, CLUTCH STOP | 001 |
| 004 | 31203-611-004 | LEVER, PINION DRIVE | (NOT AVAILABLE) 001 |
| 005 | 31204-890-801 | SWITCH, MAGNETIC | (NOT AVAILABLE) 001 |
| 006 | 31206-890-801 | ARMATURE | (NOT AVAILABLE) 001 |
| 007 | 31207-890-801 | PINION | 001 |
| 008 | 31208-890-801 | CASE, GEAR | 001 |
| 009 | 31212-611-004 | SPRING, BRUSH | (NOT AVAILABLE) 002 |
| 010 | 31213-611-004 | SCREW, MAGNETIC SWITCH SETTING | 002 |
| 011 | 31214-611-004 | BOLT, THROUGH | (NOT AVAILABLE) 002 |
| 012 | 31215-890-801 | BRUSH | 002 |
| 013 | 31216-611-004 | WASHER | 002 |
| 014 | 31217-890-801 | SCREW, POLE CORE SETTING | 001 |
| 015 | 31218-890-801 | COIL, FIELD | (NOT AVAILABLE) 001 |
| 016 | 31231-890-801 | HOLDER, BRUSH | 001 |
| 017 | 31232-611-004 | COVER, BEARING | 002 |
| 018 | 31233-611-004 | BUSH, BEARING | 002 |
| 019 | 31234-611-004 | GASKET, RUBBER PLATE | 001 |
| 020 | 31219-611-004 | COVER, RR. | 001 |
| 021 | 94111-08000 | WASHER, SPRING (8MM) | 001 |
| 022 | 94301-10160 | PIN, DOWEL (10X16) | 002 |
| 023 | 95701-08035-08 | BOLT, FLANGE (8X35) | 002 |

Section

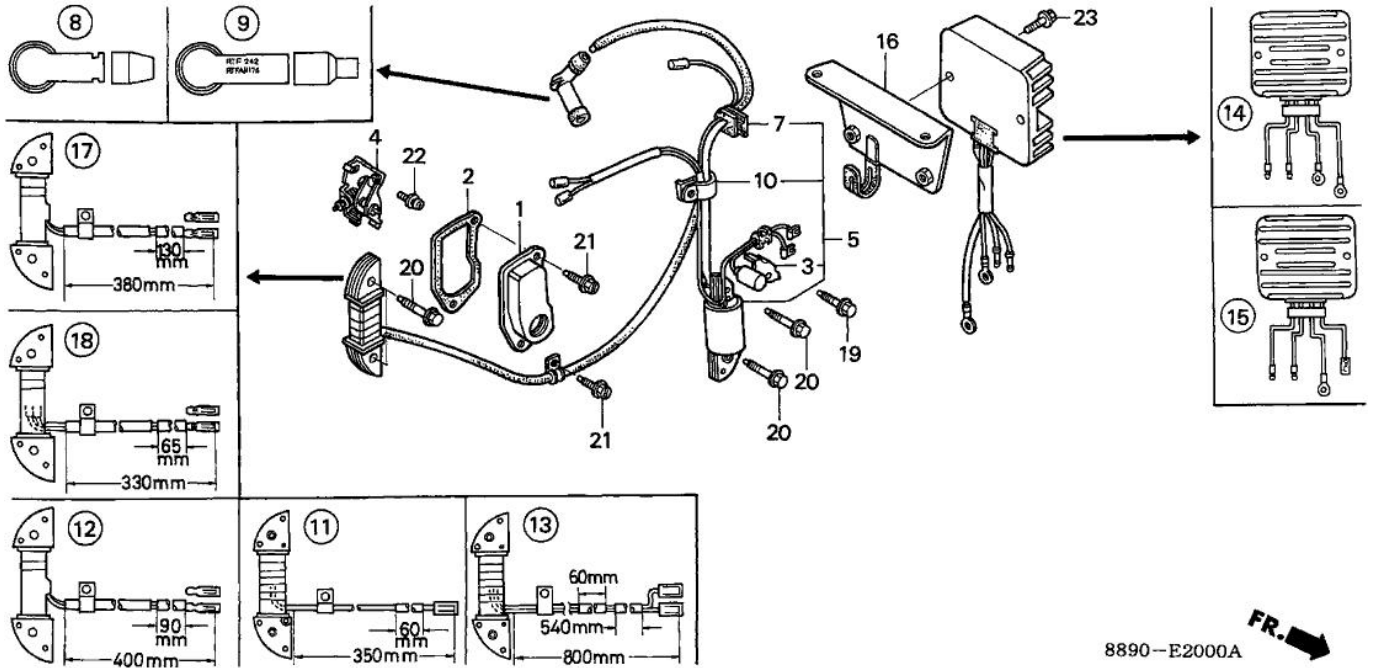
ENGINE

Illustration

C.D.I. UNIT



| Ref. | Part Number | Part Description | Qty. |
|------|-----------------|--|---------------------|
| 002 | 30580-889-781 | LAMP UNIT, C.D.I. | 001 |
| 002 | 30580-889-782 | LAMP UNIT, C.D.I. | 001 |
| 003 | 30586-889-730 | STAY, IGNITION CONTROL MODULE (CDI) | 001 |
| 005 | 30590-889-781 | COIL ASSY., EXCITER LAMP (STARTER)(LAMP) | 001 |
| 005 | 30590-889-782 | COIL ASSY., EXCITER LAMP (STARTER)(LAMP) | (NOT AVAIL... 001 |
| 007 | 30700-865-013 | CAP ASSY., NOISE SUPPRESSOR | (1) |
| 009 | 31630-890-801 | COIL ASSY., CHARGE (SILICON RECTIFIER) | (NOT AVAILABLE) 001 |
| 010 | 90013-883-000 | BOLT, FLANGE (6X12) (CT200) | 001 |
| 011 | 90015-883-000 | BOLT, FLANGE (6X28) (CT200) | 002 |
| 012 | 90017-883-000 | BOLT, FLANGE (6X32) (CT200) | 002 |
| 013 | 90019-883-000 | BOLT, FLANGE (5X10) | 001 |
| 014 | 94301-08140 | PIN, DOWEL (8X14) | 002 |
| 015 | 95003-60001-10M | HOSE, BULK (22X27X1000) OEM CUT SIZE: (22X27X60) | 001 |
| 016 | 95701-06012-08 | BOLT, FLANGE (6X12) | 002 |



8890-E2000A

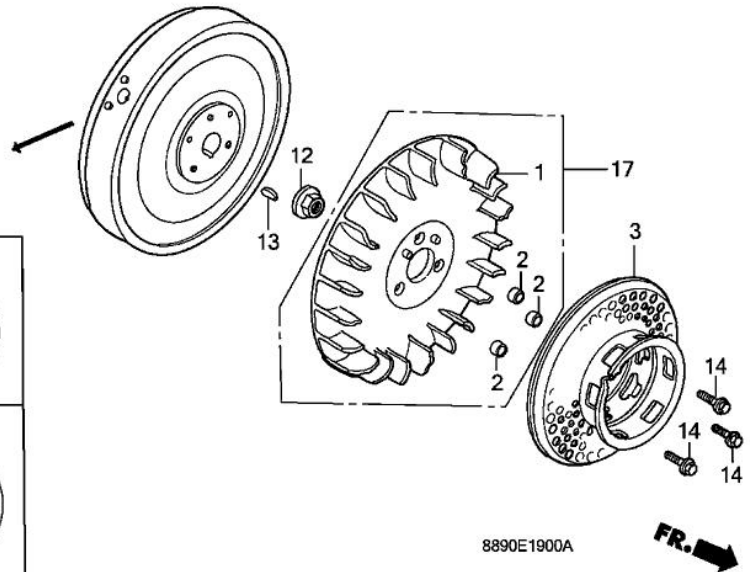
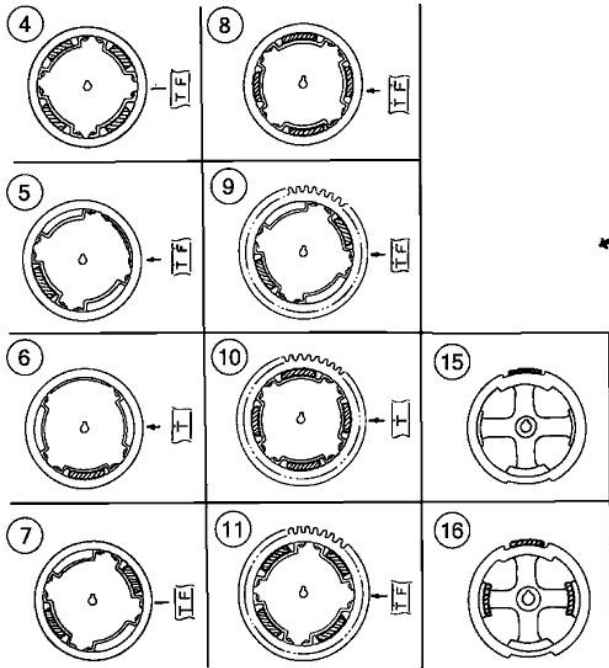
| Ref. | Part Number | Part Description | Qty. |
|------|---------------|-----------------------------|------|
| 001 | 30211-889-000 | COVER, BREAKER | (1) |
| 002 | 30215-889-000 | GASKET, BREAKER COVER | (1) |
| 003 | 30251-883-003 | CONDENSER | (1) |
| 004 | 30280-883-005 | POINTS ASSY. | (1) |
| 005 | 30560-889-003 | COIL ASSY., IGNITION | (1) |
| 007 | 30563-890-003 | GROMMET, WIRE | (1) |
| 008 | 30600-841-000 | TERMINAL ASSY., IGNITION | (1) |
| 008 | 30600-889-003 | TERMINAL ASSY., IGNITION | (1) |
| 009 | 30700-865-013 | CAP ASSY., NOISE SUPPRESSOR | (1) |
| 010 | 30702-890-000 | CLAMP, IGNITION WIRE | (1) |
| 019 | 90013-883-000 | BOLT, FLANGE (6X12) (CT200) | (1) |
| 020 | 90017-883-000 | BOLT, FLANGE (6X32) (CT200) | (AR) |
| 021 | 90019-883-000 | BOLT, FLANGE (5X10) | (3) |
| 022 | 90051-883-000 | SCREW-WASHER (5X12) | (1) |

Section

ENGINE

Illustration

FLYWHEEL



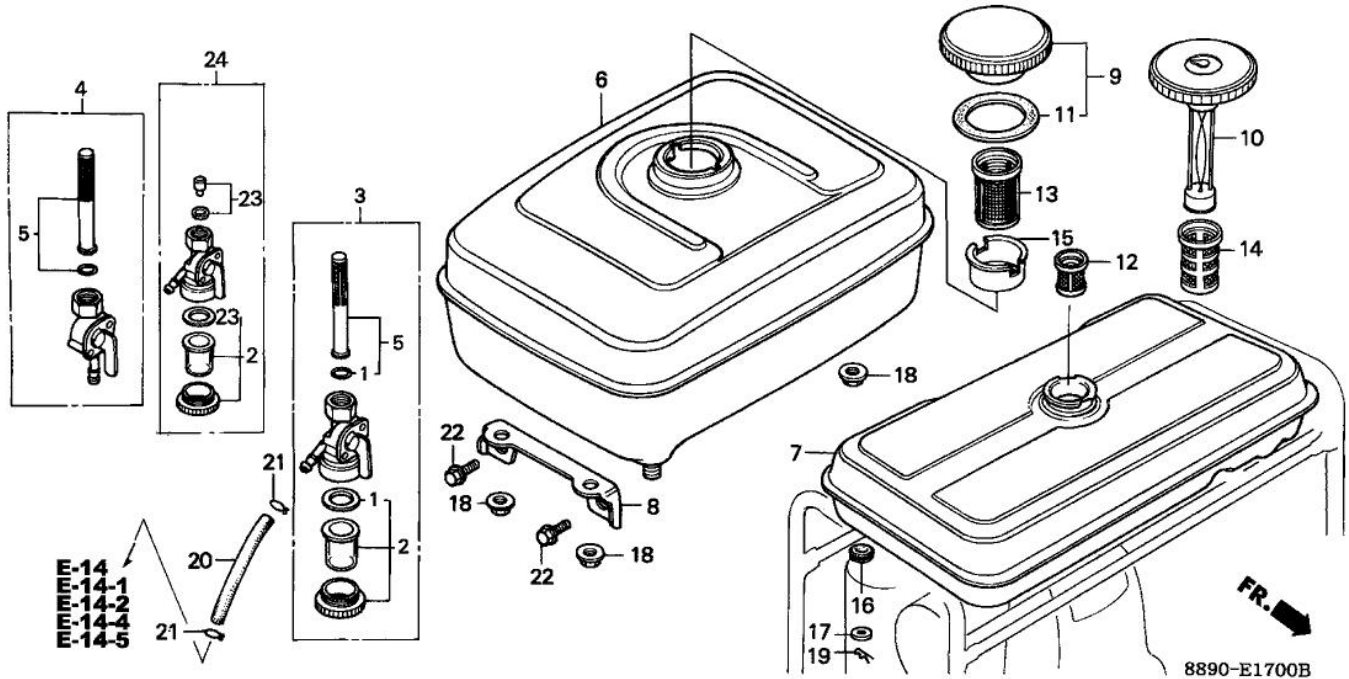
| Ref. | Part Number | Part Description | Qty. |
|------|----------------|-------------------------------|-----------------|
| 001 | 19511-889-010 | FAN, COOLING | 001 |
| 002 | 19512-883-000 | COLLAR, FAN | 003 |
| 003 | 28451-889-000 | PULLEY, STARTER | 001 |
| 003 | 28451-889-010 | PULLEY, STARTER | (NOT AVAILABLE) |
| 005 | 31100-889-010 | FLYWHEEL | (NOT AVAILABLE) |
| 010 | 31100-889-813 | FLYWHEEL (C.D.I.)(STARTER) | (1) |
| 012 | 90201-ZE3-790 | NUT, SPECIAL (16MM) | 001 |
| 013 | 13331-357-000 | KEY, SPECIAL WOODRUFF (25X18) | 001 |
| 014 | 95701-06016-08 | BOLT, FLANGE (6X16) | 003 |

Section

ENGINE

Illustration

FUEL TANK (1)



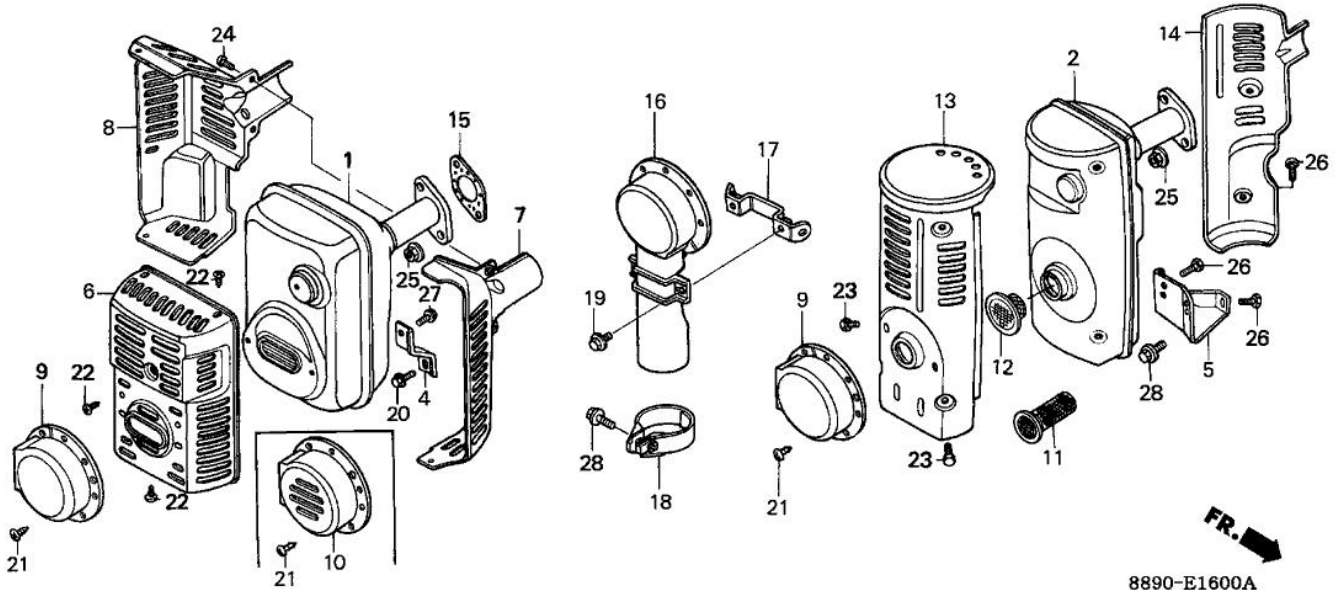
| Ref. | Part Number | Part Description | Qty. |
|------|-----------------|---|---------------------|
| 001 | 16080-883-005 | GASKET SET, PETCOCK | 001 |
| 002 | 16081-471-831 | CUP, FUEL STRAINER | 001 |
| 002 | 16081-883-015 | CUP SET, FUEL STRAINER | 001 |
| 003 | 16950-883-045 | PETCOCK ASSY. | 001 |
| 003 | 16950-898-633 | PETCOCK ASSY. | 001 |
| 004 | 16950-883-663 | PETCOCK ASSY. | 001 |
| 004 | 16950-889-015 | PETCOCK ASSY. | 001 |
| 005 | 16952-883-005 | SCREEN SET | 001 |
| 006 | 17510-890-000XC | TANK, FUEL *NH31R*(MCKINLEY WHITE) | 001 |
| 006 | 17510-890-010XC | TANK, FUEL *NH31R*(MCKINLEY WHITE) | 001 |
| 006 | 17510-890-020XC | TANK, FUEL *NH31R*(MCKINLEY WHITE) | 001 |
| 006 | 17510-890-030ZA | TANK, FUEL *NH31*(MCKINLEY WHITE) | (NOT AVAILABLE) 001 |
| 006 | 17510-890-690XC | TANK, FUEL (LONG TAIL)(MCKINLEY WHITE) | (NOT AVAILAB... 001 |
| 006 | 17510-890-691ZA | TANK, FUEL *NH31*(MCKINLEY WHITE) | (NOT AVAILABLE) 001 |
| 008 | 17516-890-000 | STAY, FUEL TANK | (NOT AVAILABLE) 001 |
| 009 | 17620-402-010 | CAP, FUEL FILLER | 001 |
| 009 | 17620-ZH7-023 | CAP, FUEL FILLER (BLACK) | 001 |
| 010 | 17630-890-692 | GAUGE, FUEL (ENGLISH) | 001 |
| 011 | 17631-329-003 | GASKET, FUEL FILLER CAP (39X58X3) | 001 |
| 013 | 17672-880-000 | FILTER, FUEL | 001 |
| 015 | 17673-893-000 | HOLDER, FUEL FILTER | 001 |
| 018 | 94050-08080 | NUT, FLANGE (8MM) | 004 |
| 020 | 95001-45003-60M | BULK HOSE, FUEL (4.5X3000) OEM CUT SIZE: (4.5X85) | 001 |
| 021 | 95002-02080 | CLIP, TUBE (B8) | 002 |
| 022 | 95701-08016-08 | BOLT, FLANGE (8X16) | 002 |
| 023 | 16080-890-691 | GASKET SET, PETCOCK | (NOT AVAILABLE) 001 |
| 024 | 16950-890-693 | PETCOCK ASSY. | 001 |

Section

ENGINE

Illustration

MUFFLER



8890-E1600A

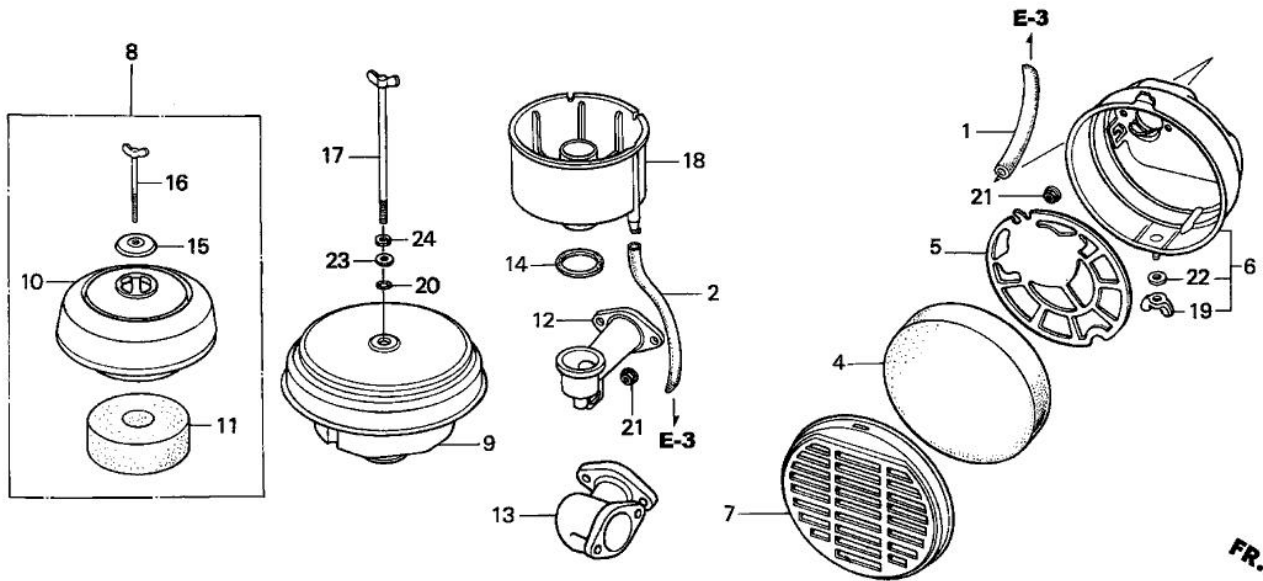
| Ref. | Part Number | Part Description | Qty. |
|------|----------------|-----------------------------|-----------------|
| 001 | 18310-890-000 | MUFFLER | 001 |
| 002 | 18310-890-731 | MUFFLER | (1) |
| 002 | 18310-890-732 | MUFFLER | (1) |
| 002 | 18310-890-733 | MUFFLER | (1) |
| 002 | 18310-890-734 | MUFFLER | (1) |
| 002 | 18310-890-735 | MUFFLER | (1) |
| 004 | 18320-889-010 | STAY, MUFFLER | 001 |
| 005 | 18320-890-731 | STAY, MUFFLER | (1) |
| 006 | 18323-889-000 | PROTECTOR, FR. MUFFLER | (NOT AVAILABLE) |
| 007 | 18325-889-000 | PROTECTOR, R. MUFFLER | 001 |
| 008 | 18330-889-000 | PROTECTOR, L. MUFFLER | 001 |
| 009 | 18331-889-010 | DEFLECTOR, MUFFLER | (1) |
| 012 | 18336-890-000 | FLANGE, BAFFLE | (1) |
| 013 | 18361-890-730 | PROTECTOR A, MUFFLER | (NOT AVAILABLE) |
| 014 | 18365-890-730 | PROTECTOR B, MUFFLER | (1) |
| 015 | 18381-889-306 | GASKET, MUFFLER | 001 |
| 015 | 18381-889-800 | GASKET, MUFFLER | 001 |
| 020 | 90013-883-000 | BOLT, FLANGE (6X12) (CT200) | 001 |
| 021 | 90183-671-003 | SCREW, TAPPING (4X8) | (2) |
| 022 | 90183-671-003 | SCREW, TAPPING (4X8) | 007 |
| 023 | 90003-890-000 | BOLT-WASHER (6X10) | (NOT AVAILABLE) |
| 023 | 92101-06008-0B | BOLT, HEX. (6X8) | (4) |
| 024 | 93500-04006-0B | SCREW, PAN (4X6) | (NOT AVAILABLE) |
| 025 | 94050-08080 | NUT, FLANGE (8MM) | 002 |
| 026 | 95701-06010-00 | BOLT, FLANGE (6X10) | (4) |
| 027 | 95700-06010-08 | BOLT, FLANGE (6X10) | 001 |
| 027 | 95701-06010-08 | BOLT, FLANGE (6X10) | 001 |
| 028 | 95701-08014-08 | BOLT, FLANGE (8X14) | (1) |
| 028 | 95701-08016-08 | BOLT, FLANGE (8X16) | (1) |

Section

ENGINE

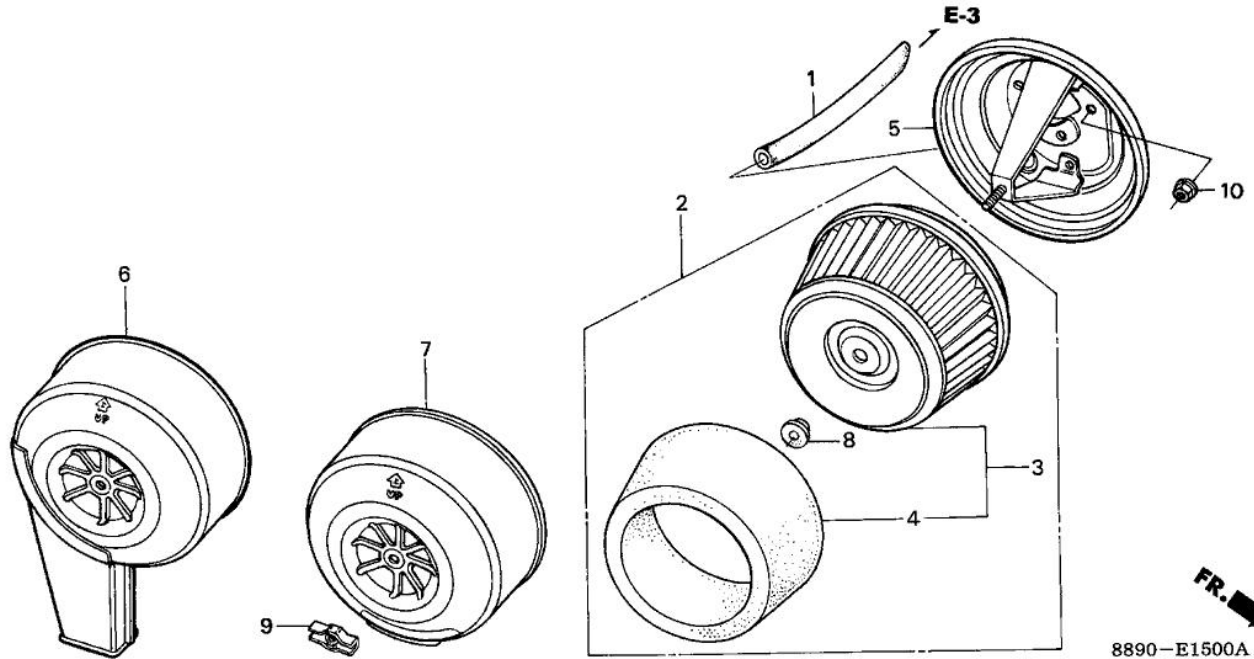
Illustration

AIR CLEANER (2)



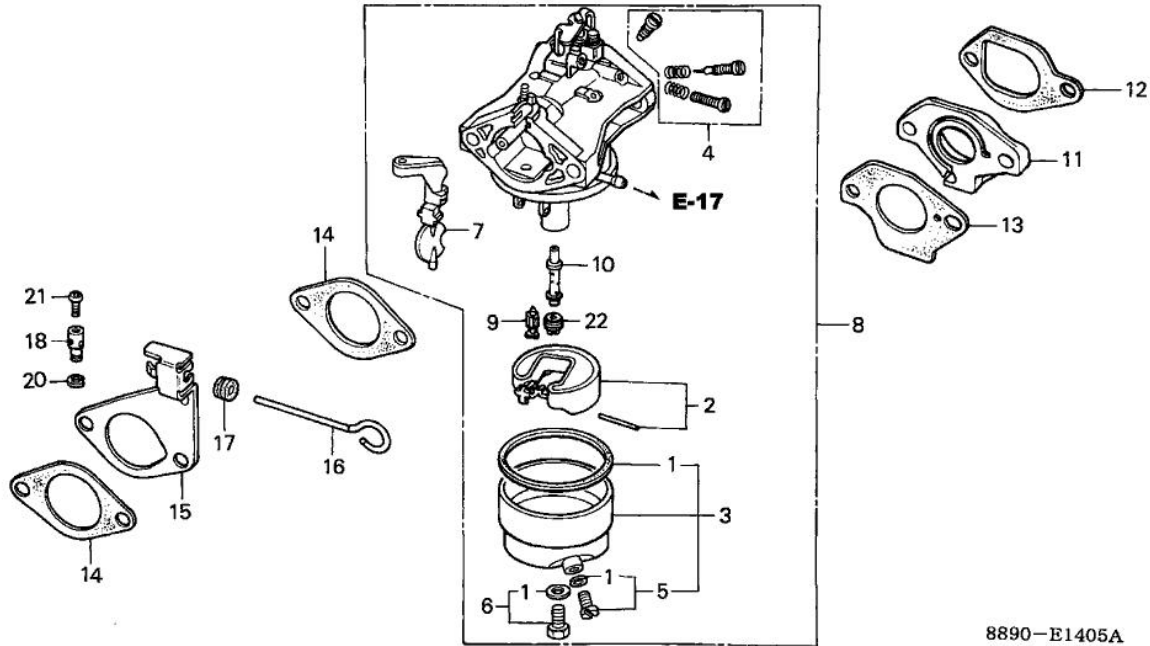
8890-E1501A

| Ref. | Part Number | Part Description | Qty. |
|------|-----------------|--|------|
| 001 | 15721-889-010 | TUBE, BREATHER | (1) |
| 002 | 15721-889-611 | TUBE, BREATHER | (1) |
| 004 | 17211-889-000 | ELEMENT, AIR CLEANER | (1) |
| 005 | 17212-889-000 | GRID, AIR CLEANER | (1) |
| 006 | 17220-889-000 | HOUSING, AIR CLEANER | (1) |
| 007 | 17231-889-000 | COVER, AIR CLEANER | (1) |
| 008 | 174A0-889-000 | BODY KIT, AIR CLEANER | (1) |
| 009 | 17401-873-004XC | HOUSING, AIR CLEANER *NH31R*(MCKINLEY WHITE) | (1) |
| 010 | 17401-889-000 | BODY, AIR CLEANER | (1) |
| 011 | 17403-728-000 | ELEMENT, AIR CLEANER | (1) |
| 012 | 17411-889-000 | ELBOW, AIR CLEANER | (1) |
| 014 | 17412-873-000 | GASKET, IN. ELBOW | (1) |
| 015 | 17421-728-000 | CAP, AIR CLEANER | (1) |
| 016 | 17425-728-003 | BOLT, AIR CLEANER | (1) |
| 017 | 17425-865-780 | BOLT, AIR CLEANER | (1) |
| 018 | 17441-724-000 | PAN, CLEANER OIL | (1) |
| 019 | 90325-044-000 | NUT, TOOL BOX SETTING | (1) |
| 020 | 91301-426-010 | O-RING (4.9X2.5) | (1) |
| 021 | 94050-06080 | NUT, FLANGE (6MM) | (2) |
| 022 | 94101-06800 | WASHER, PLAIN (6MM) | (1) |
| 023 | 94101-06800 | WASHER, PLAIN (6MM) | (1) |
| 024 | 94111-06800 | WASHER, SPRING (6MM) | (1) |



8890-E1500A

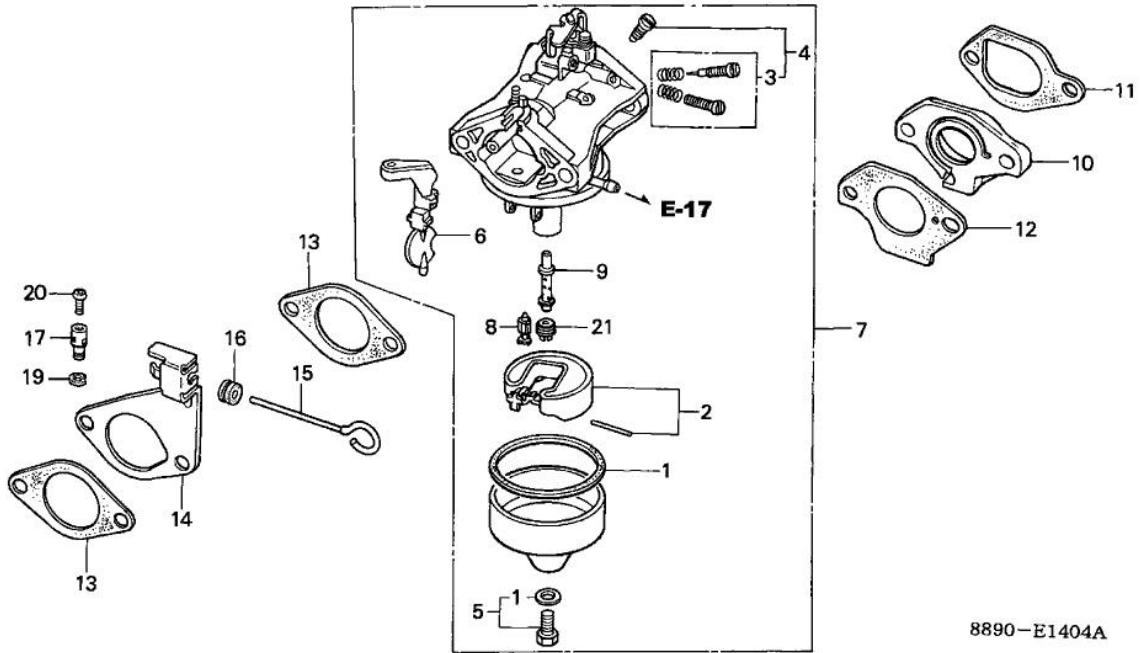
| Ref. | Part Number | Part Description | Qty. |
|------|---------------|--|-----------------|
| 001 | 15721-889-010 | TUBE, BREATHER | 001 |
| 002 | 17211-890-023 | ELEMENT, AIR CLEANER | (1) |
| 003 | 17211-890-023 | ELEMENT, AIR CLEANER | 001 |
| 004 | 17218-890-003 | FILTER (OUTER) | (NOT AVAILABLE) |
| 005 | 17220-890-003 | HOUSING, AIR CLEANER | 001 |
| 006 | 17230-890-731 | COVER, AIR CLEANER | (1) |
| 007 | 17231-890-003 | COVER, AIR CLEANER | 001 |
| 008 | 17232-890-010 | GROMMET, AIR CLEANER | 001 |
| 009 | 90203-PB2-000 | NUT, AIR CLEANER COVER (DACRO COATING) | 001 |
| 010 | 94050-06080 | NUT, FLANGE (6MM) | 002 |



8890-E1405A

| Ref. | Part Number | Part Description | Qty. |
|------|----------------|-------------------------------------|---------------------|
| 001 | 16010-883-015 | GASKET SET (CARBURETOR NO.) | 001 |
| 001 | 16010-883-015 | GASKET SET (CARBURETOR NO.) | 001 |
| 002 | 16013-883-005 | FLOAT SET (CARBURETOR NO.) | 001 |
| 003 | 16015-887-782 | CHAMBER SET, FLOAT (CARBURETOR NO.) | 001 |
| 003 | 16015-887-782 | CHAMBER SET, FLOAT (CARBURETOR NO.) | 001 |
| 003 | 16015-896-005 | CHAMBER SET, FLOAT (CARBURETOR NO.) | (NOT AVAILABLE) 001 |
| 004 | 16016-883-661 | SCREW SET A (CARBURETOR NO.) | 001 |
| 004 | 16016-ZA1-701 | SCREW SET A (CARBURETOR NO.) | 001 |
| 005 | 16024-890-731 | SCREW SET, DRAIN (CARBURETOR NO.) | 001 |
| 005 | 16024-ZE1-811 | SCREW SET, DRAIN (CARBURETOR NO.) | 001 |
| 006 | 16028-883-005 | SCREW SET B (CARBURETOR NO.) | 001 |
| 006 | 16028-ZE0-005 | SCREW SET (CARBURETOR NO.) | 001 |
| 006 | 16028-ZK7-S91 | SCREW SET | 001 |
| 007 | 16044-889-005 | CHOKE SET (CARBURETOR NO.) | 001 |
| 008 | 16100-889-065 | CARBURETOR ASSY. | 001 |
| 008 | 16100-889-065 | CARBURETOR ASSY. | 001 |
| 009 | 16155-883-005 | VALVE, FLOAT (CARBURETOR NO.) | 001 |
| 010 | 16166-889-005 | NOZZLE, MAIN (CARBURETOR NO.) | 001 |
| 011 | 16211-889-000 | INSULATOR, CARBURETOR | 001 |
| 012 | 16212-889-800 | GASKET, INSULATOR | 001 |
| 013 | 16221-890-306 | GASKET, CARBURETOR | 001 |
| 013 | 16221-890-800 | GASKET, CARBURETOR | 001 |
| 014 | 16269-890-306 | GASKET, AIR CLEANER | AR |
| 014 | 16269-890-800 | GASKET, AIR CLEANER | AR |
| 015 | 16598-889-731 | STAY, CHOKE CONTROL | (NOT AVAILABLE) 001 |
| 016 | 16611-889-000 | ROD, CHOKE CONTROL | (NOT AVAILABLE) 001 |
| 017 | 16613-890-000 | GROMMET, CHOKE ROD | 001 |
| 018 | 16617-890-010 | HOLDER, CABLE | 001 |
| 020 | 90605-230-000 | CIRCLIP (5MM) | 001 |
| 021 | 93500-04008-0A | SCREW, PAN (4X8) | 001 |
| 022 | 99101-124-0750 | JET, MAIN (#75) (CARBURETOR NO.) | (1) |
| 022 | 99101-124-0780 | JET, MAIN (#78) (CARBURETOR NO.) | (1) |

| Ref. | Part Number | Part Description | Qty. |
|------|----------------|----------------------------------|------|
| 022 | 99101-124-0800 | JET, MAIN (#80) (CARBURETOR NO.) | (1) |
| 022 | 99101-124-0820 | JET, MAIN (#82) (CARBURETOR NO.) | (1) |
| 022 | 99101-124-0850 | JET, MAIN (#85) (CARBURETOR NO.) | 001 |



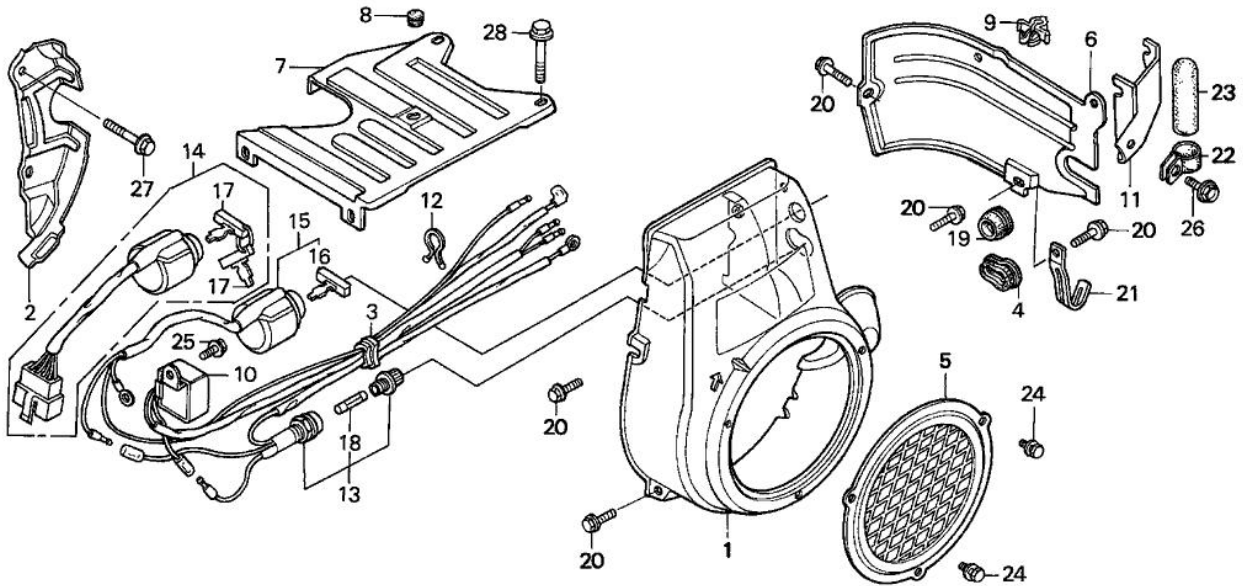
| Ref. | Part Number | Part Description | Qty. |
|------|----------------|----------------------------------|---------------------|
| 001 | 16010-883-015 | GASKET SET | 001 |
| 002 | 16013-883-005 | FLOAT SET (CARBURETOR NO.) | 001 |
| 003 | 16016-890-005 | SCREW SET A (CARBURETOR NO.) | 001 |
| 004 | 16016-890-015 | SCREW SET A (CARBURETOR NO.) | (NOT AVAILABLE) 001 |
| 005 | 16028-883-005 | SCREW SET B (CARBURETOR NO.) | 001 |
| 006 | 16044-889-005 | CHOKE SET (CARBURETOR NO.) | 001 |
| 007 | 16100-889-065 | CARBURETOR ASSY. | 001 |
| 008 | 16155-883-005 | VALVE, FLOAT (CARBURETOR NO.) | 001 |
| 009 | 16166-889-005 | NOZZLE, MAIN (CARBURETOR NO.) | 001 |
| 010 | 16211-889-000 | INSULATOR, CARBURETOR | 001 |
| 011 | 16212-889-800 | GASKET, INSULATOR | 001 |
| 012 | 16221-890-306 | GASKET, CARBURETOR | 001 |
| 012 | 16221-890-800 | GASKET, CARBURETOR | 001 |
| 013 | 16269-890-306 | GASKET, AIR CLEANER | AR |
| 013 | 16269-890-800 | GASKET, AIR CLEANER | AR |
| 014 | 16598-889-731 | STAY, CHOKE CONTROL | (NOT AVAILABLE) 001 |
| 015 | 16611-889-000 | ROD, CHOKE CONTROL | (NOT AVAILABLE) 001 |
| 016 | 16613-890-000 | GROMMET, CHOKE ROD | 001 |
| 017 | 16617-890-010 | HOLDER, CABLE | 001 |
| 019 | 90605-230-000 | CIRCLIP (5MM) | 001 |
| 020 | 93500-04008-0A | SCREW, PAN (4X8) | 001 |
| 021 | 99101-124-0750 | JET, MAIN (#75) (CARBURETOR NO.) | (1) |
| 021 | 99101-124-0780 | JET, MAIN (#78) (CARBURETOR NO.) | (1) |
| 021 | 99101-124-0800 | JET, MAIN (#80) (CARBURETOR NO.) | (1) |
| 021 | 99101-124-0820 | JET, MAIN (#82) (CARBURETOR NO.) | (1) |
| 021 | 99101-124-0850 | JET, MAIN (#85) (CARBURETOR NO.) | 001 |

Section

ENGINE

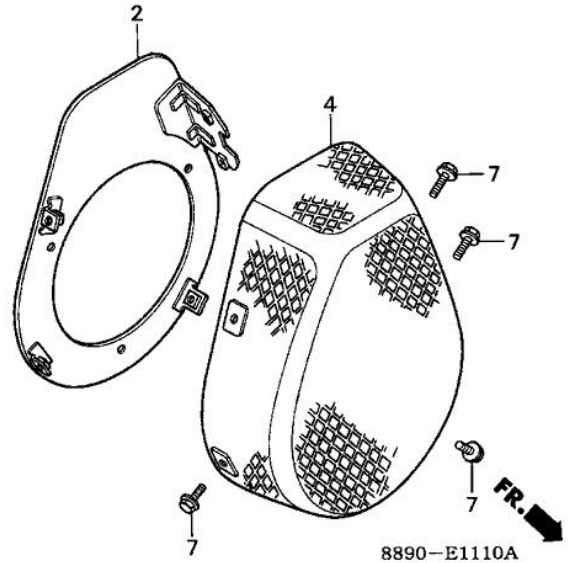
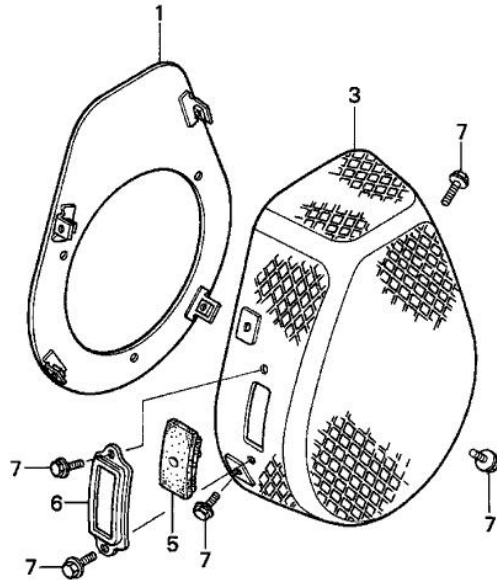
Illustration

FAN COVER (2)

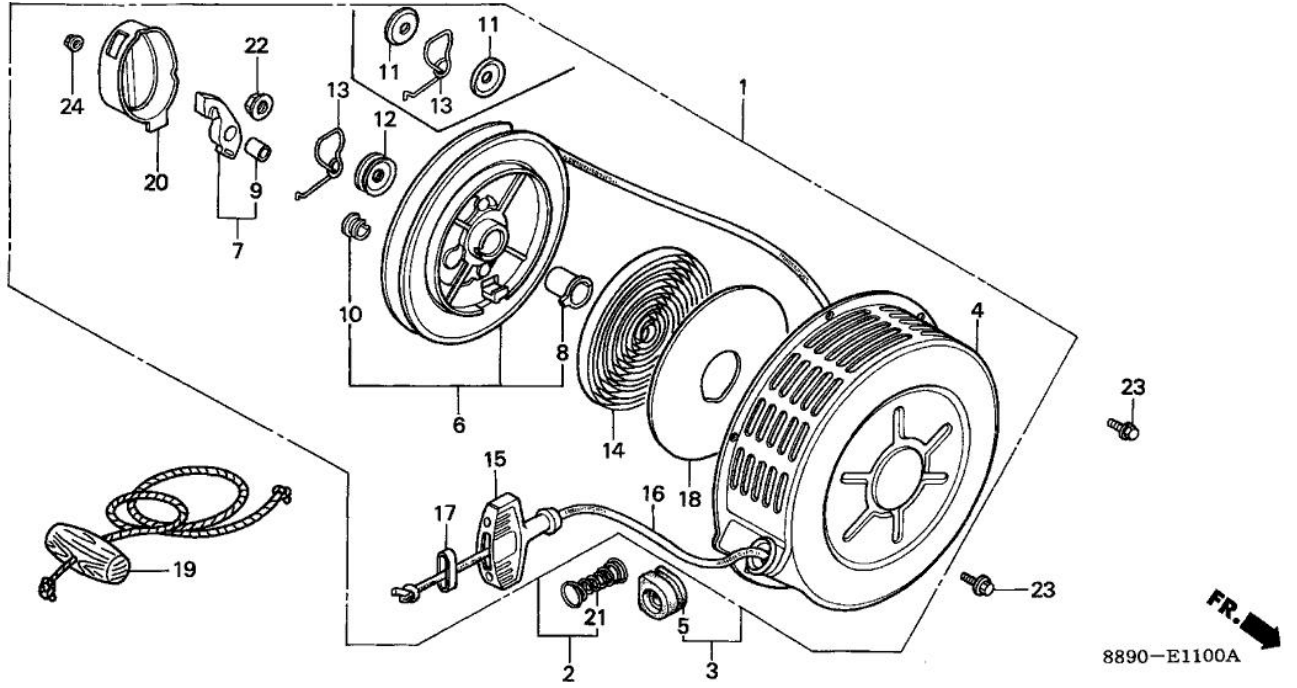


8890-E1201A

| Ref. | Part Number | Part Description | Qty. |
|------|-----------------|---------------------------------------|---------------------|
| 001 | 19610-889-800ZA | COVER, FAN *R8*(BRIGHT RED) | 001 |
| 002 | 19611-889-800 | PLATE, SIDE | 001 |
| 003 | 19613-889-800 | GROMMET, SWITCH CORD | 001 |
| 005 | 19620-890-800ZA | PROTECTOR, FAN COVER *R8*(BRIGHT RED) | 001 |
| 006 | 19631-889-000 | SHROUD | 001 |
| 007 | 19641-889-010 | COVER, TOP | 001 |
| 008 | 19643-883-010 | GROMMET, TOP COVER | 001 |
| 009 | 30701-883-000 | CLIP, IGNITION WIRE (8MM) | 001 |
| 010 | 31700-890-801 | RECTIFIER, SILICON | (NOT AVAILABLE) 001 |
| 011 | 32112-889-000 | STAY, CLAMP | 001 |
| 012 | 90630-751-000 | CLIP, PURSE LOCK | 001 |
| 013 | 32130-890-003 | HOLDER, FUSE (1.5A) | (NOT AVAILABLE) 001 |
| 014 | 35100-880-673 | SWITCH ASSY., COMBINATION | (NOT AVAILABLE) (1) |
| 014 | 35100-ZA0-013 | SWITCH ASSY., COMBINATION | (1) |
| 014 | 35100-ZA0-023 | SWITCH ASSY., COMBINATION | (1) |
| 015 | 35100-890-801 | SWITCH ASSY., COMBINATION | (NOT AVAILABLE) 001 |
| 016 | 35111-862-003 | KEY | 001 |
| 017 | 35111-880-013 | KEY (HONDA LOCK) | (2) |
| 018 | 38201-883-003 | FUSE (1.5A) | (NOT AVAILABLE) 001 |
| 020 | 90013-883-000 | BOLT, FLANGE (6X12) (CT200) | 006 |
| 022 | 91405-890-780 | CLIP, CORD | 001 |
| 023 | 91408-890-780 | TUBE, CORD (25MM) | 001 |
| 024 | 95701-06008-00 | BOLT, FLANGE (6X8) | 003 |
| 025 | 95700-06010-08 | BOLT, FLANGE (6X10) | 001 |
| 025 | 95701-06010-08 | BOLT, FLANGE (6X10) | 001 |
| 026 | 95701-06012-08 | BOLT, FLANGE (6X12) | 001 |
| 027 | 95701-08020-08 | BOLT, FLANGE (8X20) | 002 |



| Ref. | Part Number | Part Description | Qty. |
|------|----------------|---------------------|------|
| 001 | 19620-889-950 | BASE, DUST COVER | (1) |
| 002 | 19620-889-960 | BASE, DUST COVER | (1) |
| 003 | 19630-889-950 | COVER, DUST | (1) |
| 004 | 19630-889-960 | COVER, DUST | (1) |
| 005 | 28605-889-950 | GUIDE, ROPE | (1) |
| 006 | 28606-848-790 | RIM, ROPE GUIDE | (1) |
| 007 | 95700-06010-08 | BOLT, FLANGE (6X10) | (AR |
| 007 | 95701-06010-08 | BOLT, FLANGE (6X10) | (AR |



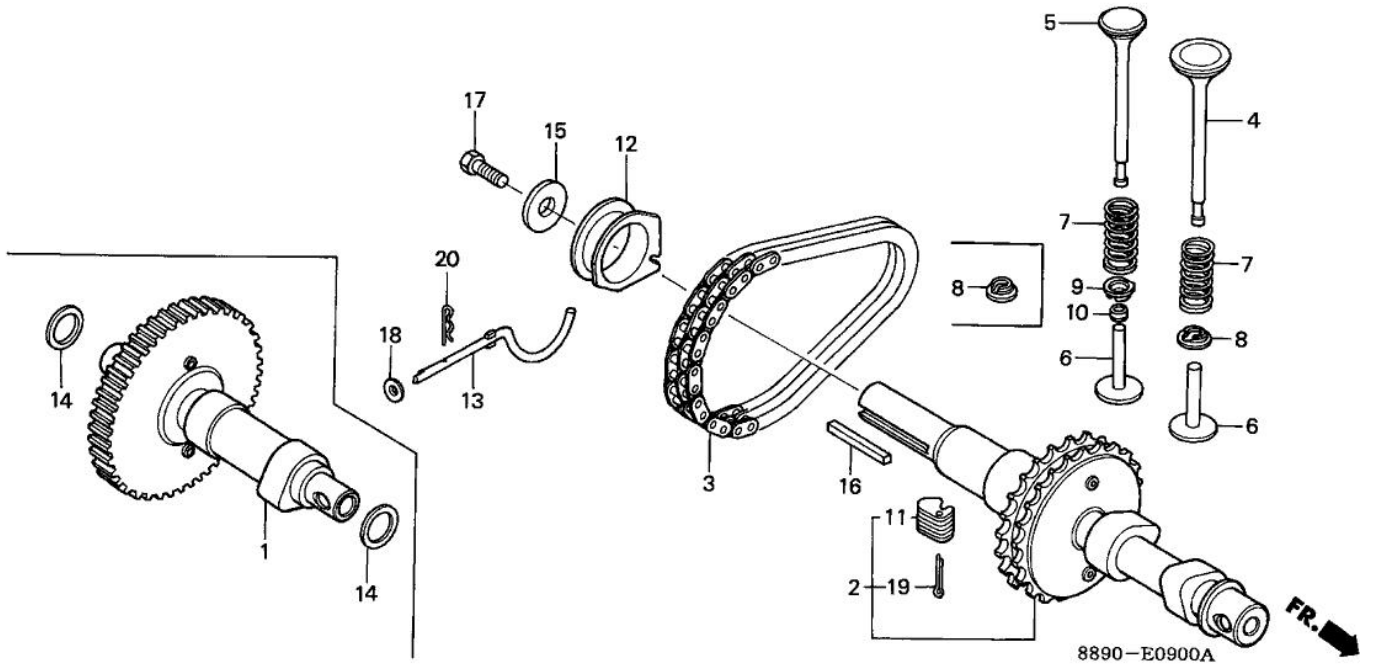
| Ref. | Part Number | Part Description | Qty. |
|------|----------------|--------------------|------|
| 019 | 28470-816-000 | ROPE, STARTER | 001 |
| 021 | 28607-889-950 | SPRING, ROPE GUIDE | 001 |
| 023 | 95701-06008-00 | BOLT, FLANGE (6X8) | 003 |

Section

ENGINE

Illustration

CAMSHAFT



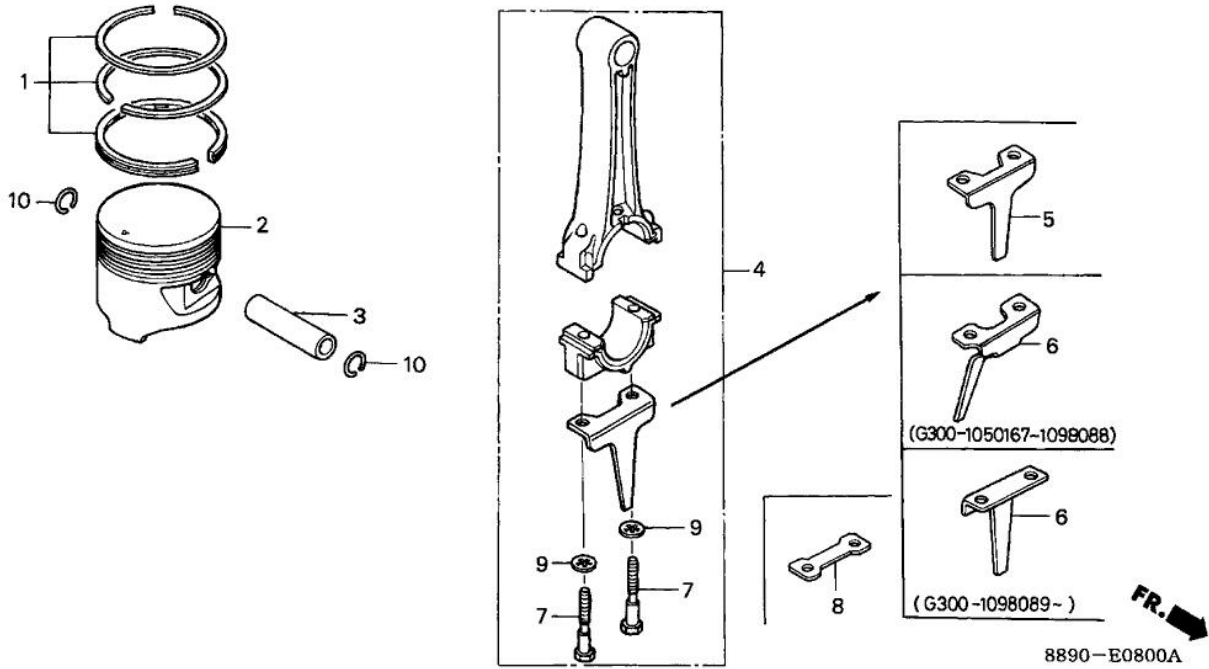
| Ref. | Part Number | Part Description | Qty. |
|------|---------------|-------------------------|-----------------|
| 001 | 14110-889-030 | CAMSHAFT ASSY. | 001 |
| 004 | 14711-889-000 | VALVE, IN. | 001 |
| 005 | 14721-889-000 | VALVE, EX. | (NOT AVAILABLE) |
| 005 | 14721-889-010 | VALVE, EX. | 001 |
| 005 | 14721-899-000 | VALVE, EX. | 001 |
| 006 | 14732-889-000 | LIFTER, VALVE (45.89MM) | (2) |
| 006 | 14737-889-000 | LIFTER, VALVE (46.04MM) | (2) |
| 006 | 14742-889-000 | LIFTER, VALVE (46.19MM) | (2) |
| 006 | 14747-889-000 | LIFTER, VALVE (46.34MM) | (2) |
| 007 | 14751-890-000 | SPRING, VALVE | (NOT AVAILABLE) |
| 008 | 14771-883-305 | RETAINER, VALVE SPRING | 001 |
| 008 | 14771-883-305 | RETAINER, VALVE SPRING | 002 |
| 009 | 14771-889-000 | RETAINER, VALVE SPRING | 001 |
| 010 | 14781-889-000 | ROTATOR, EX. VALVE | (NOT AVAILABLE) |
| 011 | 16511-883-300 | WEIGHT, GOVERNOR | 014 |
| 012 | 16531-890-000 | SLIDER, GOVERNOR | 001 |
| 013 | 16541-889-010 | SHAFT, GOVERNOR ARM | 001 |
| 014 | 90452-883-000 | WASHER, THRUST (18MM) | 002 |
| 018 | 94101-06800 | WASHER, PLAIN (6MM) | 001 |
| 019 | 94201-30250 | PIN, SPLIT (3.0X25) | 002 |
| 019 | 94201-30450 | PIN, SPLIT (3.0X45) | 002 |
| 020 | 94251-10400 | PIN, LOCK (10MM) | 001 |

Section

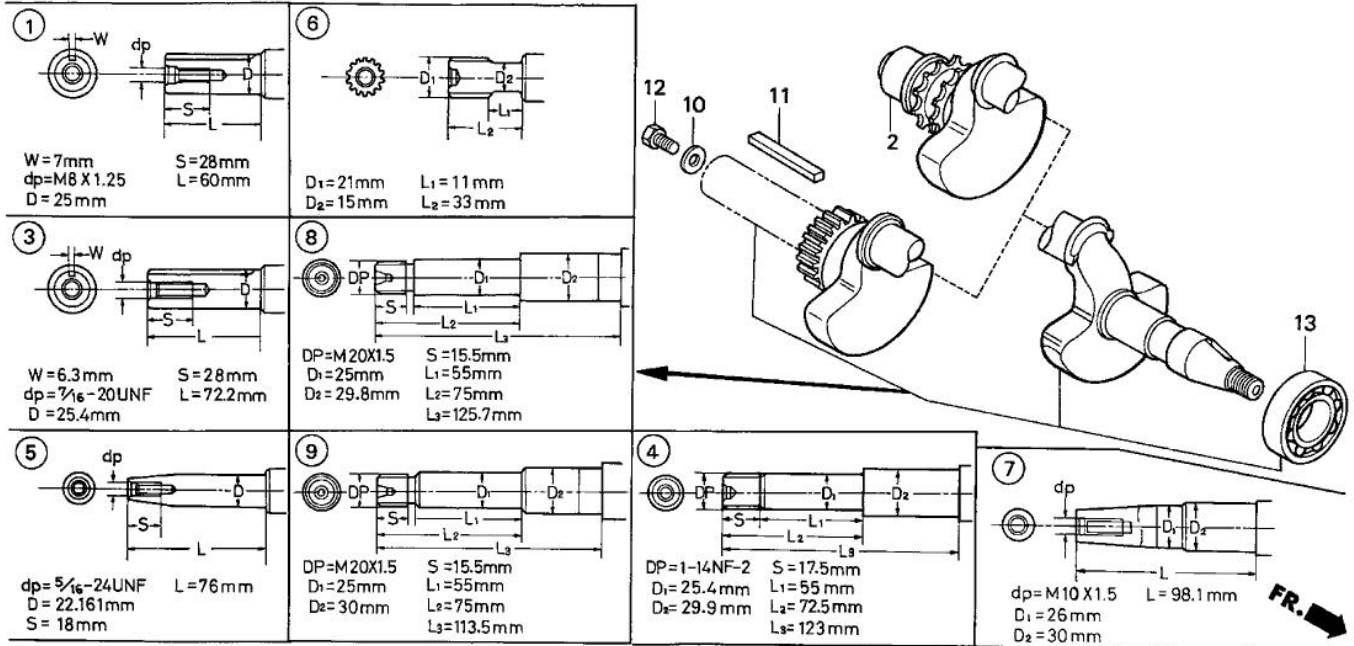
ENGINE

Illustration

PISTON

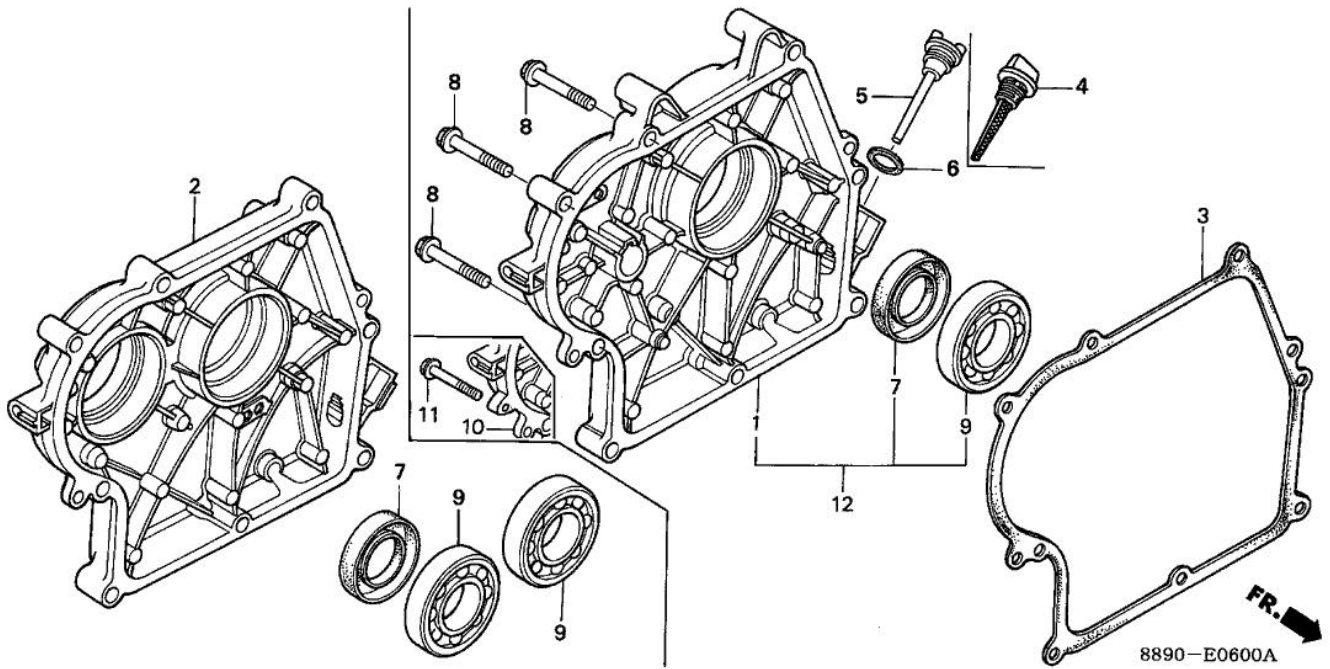


| Ref. | Part Number | Part Description | Qty. |
|------|---------------|--|------|
| 001 | 13010-YA1-003 | RING SET, PISTON (STD) | 001 |
| 001 | 13011-889-003 | RING SET, PISTON (0.25) | (1) |
| 001 | 13011-YA1-003 | RING SET, PISTON (0.25) | (1) |
| 001 | 13012-889-003 | RING SET, PISTON (0.50) | (1) |
| 001 | 13012-889-013 | RING SET, PISTON (0.50) (TEIKOKU) | (1) |
| 001 | 13012-YA1-003 | RING SET, PISTON (0.50) | (1) |
| 001 | 13013-889-003 | RING SET, PISTON (0.75) | (1) |
| 001 | 13013-YA1-003 | RING SET, PISTON (0.75) | (1) |
| 002 | 13101-889-010 | PISTON (STD) | 001 |
| 002 | 13102-889-010 | PISTON (0.25) | (1) |
| 002 | 13103-889-010 | PISTON (0.50) | (1) |
| 002 | 13104-889-010 | PISTON (0.75) | (1) |
| 003 | 13111-369-000 | PIN, PISTON (NOT AVAILABLE) | 001 |
| 004 | 13200-889-030 | ROD ASSY., CONNECTING | 001 |
| 004 | 13200-889-305 | ROD ASSY., CONNECTING (UNDER SIZE) | 001 |
| 004 | 13200-889-315 | ROD ASSY., CONNECTING (UNDER SIZE) | (1) |
| 004 | 13200-889-328 | ROD ASSY., CONNECTING | 001 |
| 004 | 13200-889-335 | ROD ASSY., CONNECTING (UNDER SIZE) | (1) |
| 004 | 13200-889-428 | ROD ASSY., CONNECTING (UNDER SIZE) | (1) |
| 005 | 13281-889-000 | DIPPER, CONNECTING ROD (NOT AVAILABLE) | 001 |
| 006 | 13281-889-010 | DIPPER, CONNECTING ROD | 001 |
| 007 | 90001-883-020 | BOLT, CONNECTING ROD (7MM) | 002 |
| 007 | 90001-889-000 | BOLT, CONNECTING ROD (7MM) (NOT AVAILABLE) | 002 |
| 008 | 90432-889-003 | WASHER, LOCK (7MM) | 001 |
| 009 | 90432-889-003 | WASHER, LOCK (7MM) | 002 |
| 010 | 94601-16000 | CLIP, PISTON PIN (16MM) | 002 |



8890-E0700

| Ref. | Part Number | Part Description | Qty. |
|------|----------------|-----------------------------|------|
| 003 | 13310-889-661 | CRANKSHAFT | 001 |
| 013 | 96100-62050-00 | BEARING, RADIAL BALL (6205) | 001 |



| Ref. | Part Number | Part Description | Qty. |
|------|----------------|-----------------------------|------|
| 001 | 11310-889-661 | COVER, CRANKCASE | 001 |
| 003 | 11381-889-800 | GASKET, CASE COVER | 001 |
| 005 | 15620-890-000 | CAP, OIL FILLER (YELLOW) | 001 |
| 006 | 15621-896-010 | GASKET, OIL FILLER CAP | 001 |
| 007 | 91201-890-003 | OIL SEAL (30X46X8) | 001 |
| 008 | 95701-08040-08 | BOLT, FLANGE (8X40) | 008 |
| 009 | 96100-62060-00 | BEARING, RADIAL BALL (6206) | 001 |