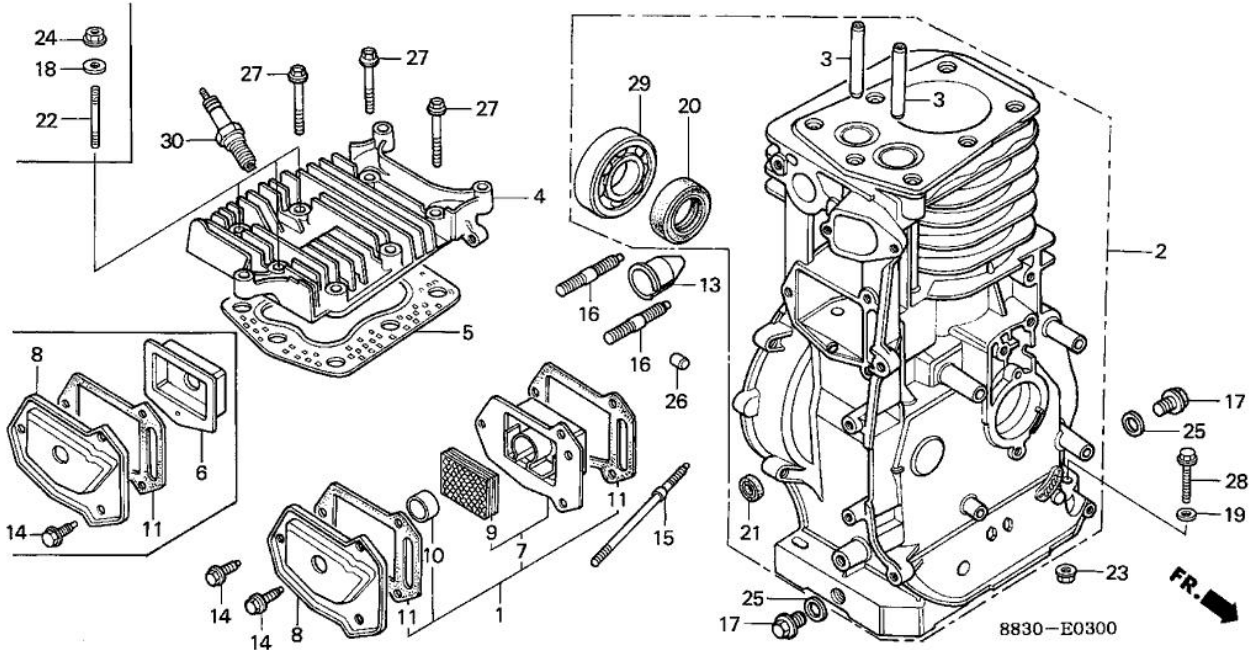


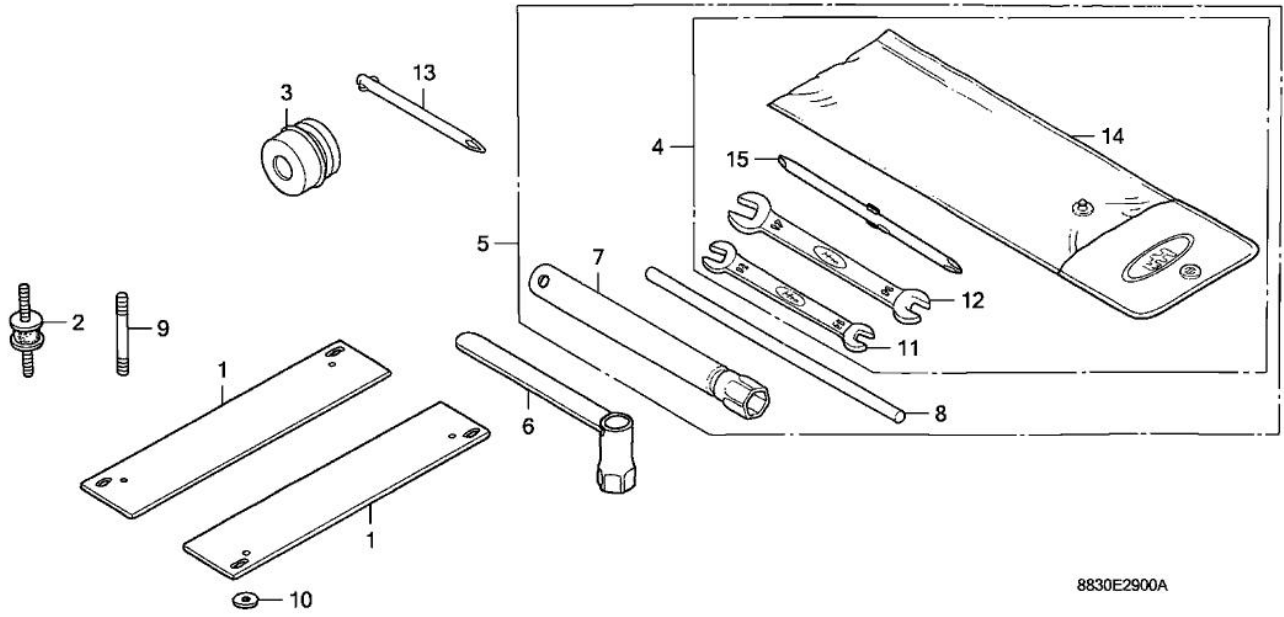
TRU-POWER, INC.

Model Name	G200	Product Line	GENERAL PURPOSE ENGINE
Mfg		Type	SZDW
Section	ENGINE	Illustration	CYLINDER - CYLINDER HEAD



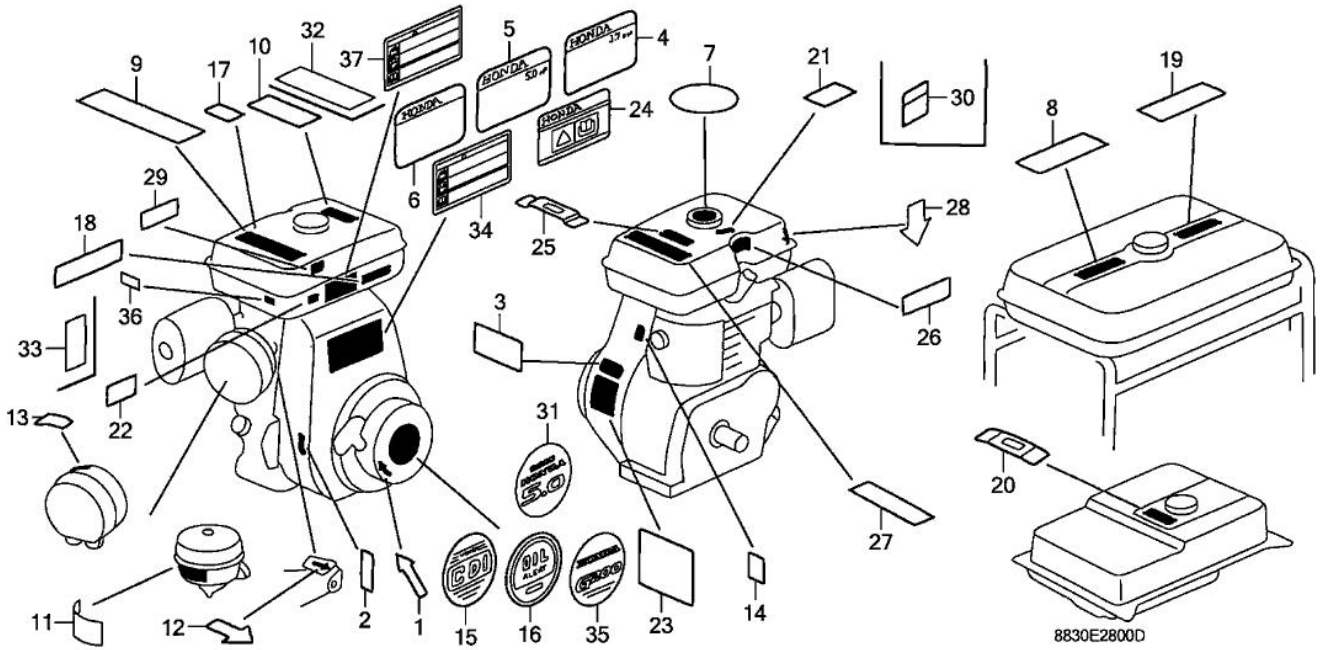
Ref.	Part Number	Part Description	Qty.
002	12000-883-345	CYLINDER ASSY.	001
003	12133-883-306	GUIDE, VALVE (OVER SIZE)	(2)
003	12134-883-305	GUIDE, VALVE (OVER SIZE)	(2)
004	122A2-883-030	CYLINDER HEAD	001
005	12281-883-306	GASKET, CYLINDER HEAD	001
005	12281-883-800	GASKET, CYLINDER HEAD	001
005	12281-883-801	GASKET, CYLINDER HEAD	001
007	12360-883-010	CASE, BREATHER	001
008	12361-883-000	COVER, TAPPET ROOM	001
009	12367-883-003	FILTER, BREATHER	001
010	12369-883-000	SEAL, BREATHER	001
011	12375-883-000	GASKET, TAPPET COVER	002
014	90013-883-000	BOLT, FLANGE (6X12) (CT200)	003
015	90043-883-010	BOLT, STUD (6X95)	002
015	90043-883-681	BOLT, STUD (6X89)	002
016	90047-883-000	BOLT, STUD (8X35)	002
017	90131-896-650	BOLT, DRAIN PLUG (12X15)	002
020	91202-883-005	OIL SEAL (25X41X6)	001
025	94109-12000	WASHER, DRAIN PLUG (12MM)	002
026	94301-08140	PIN, DOWEL (8X14)	002
027	95700-08045-08	BOLT, FLANGE (8X45)	007
027	95701-08045-08	BOLT, FLANGE (8X45)	007
029	96100-62050-00	BEARING, RADIAL BALL (6205)	001
030	98076-54710	SPARK PLUG (B-4H) (NGK)	001
030	98076-54720	SPARK PLUG (W14F-U) (DENSO)	(1)
030	98076-54757	SPARK PLUG (W14FR-U)	(1)
030	98076-54911	SPARK PLUG (BP-4HS-10) (NGK)	(1)
030	98076-54914	SPARK PLUG (BPR-4HS-10) (NGK)	(1)
030	98076-54917	SPARK PLUG (BPR4HS-10)	(1)
030	98076-54919	SPARK PLUG (BP4HS-10)	(1)
030	98076-54921	SPARK PLUG (W14FP-UL10) (DENSO)	(1)
030	98076-54954	SPARK PLUG (W14FPR-UL10) (DENSO)	(1)

Ref.	Part Number	Part Description	Qty.
030	98076-56716	SPARK PLUG (BR6HS) (NGK)	(1)
030	98076-56724	SPARK PLUG (W20FS-U) (DENSO)	(1)
030	98076-56740	SPARK PLUG (B6HS) (NGK)	(1)
030	98076-56927	SPARK PLUG (W20FPR-U10) (DENSO)	(1)

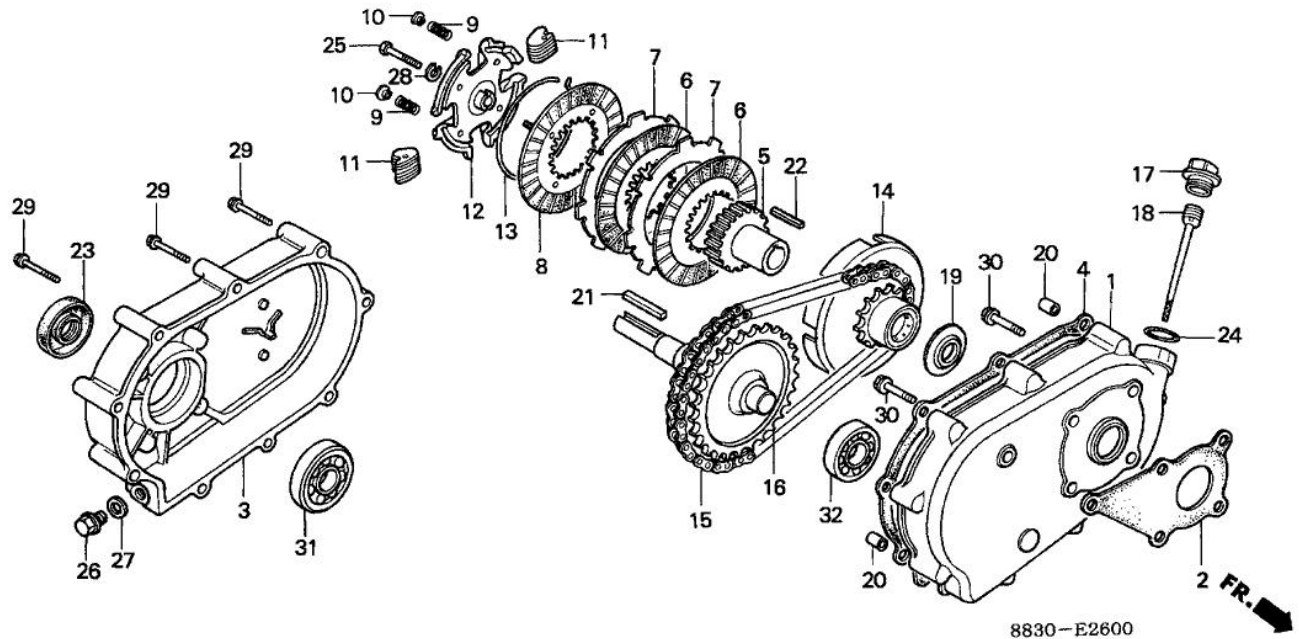


8830E2900A

Ref.	Part Number	Part Description	Qty.
007	89216-809-000	WRENCH, SPARK PLUG	001



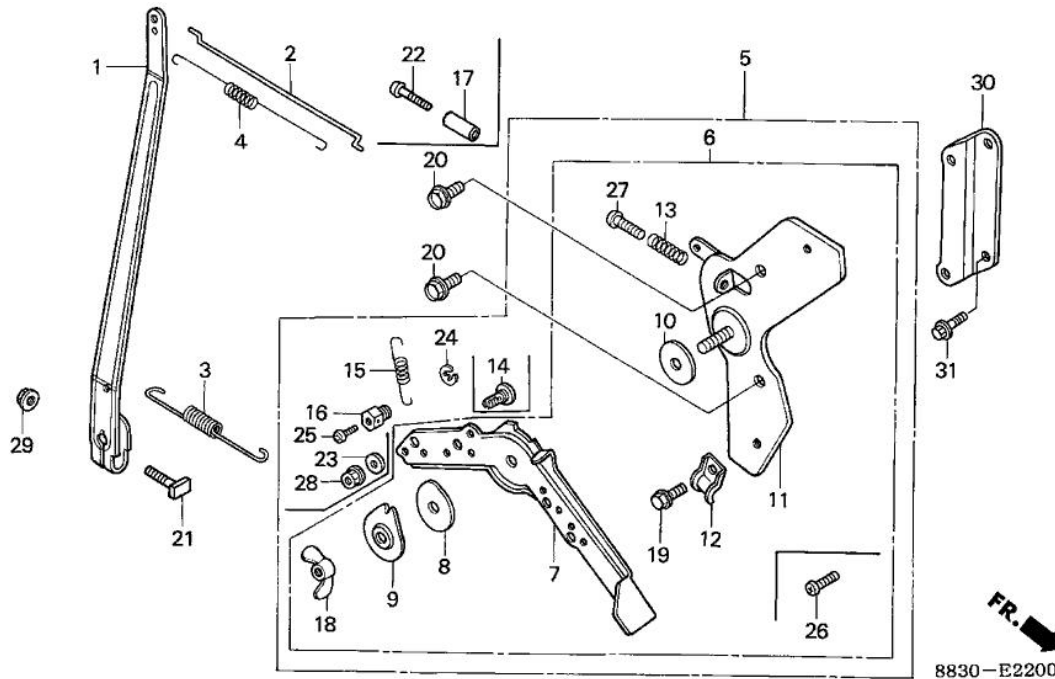
Ref.	Part Number	Part Description	Qty.
005	87521-883-661	EMBLEM (ENGLISH/FRENCH/SPANISH)	001
009	87522-883-660	MARK, CAUTION (ENGLISH/FRENCH/SPANISH)	001
012	87528-883-661	MARK, CHOKE	001
016	87531-883-890	LABEL, OIL ALERT	(1)
019	87522-836-670	MARK A, CAUTION	(1)
019	87561-880-600	MARK, CAUTION (ENGLISH/FRENCH/SPANISH)	(1)
023	87594-883-000	MARK, OIL CAUTION	001



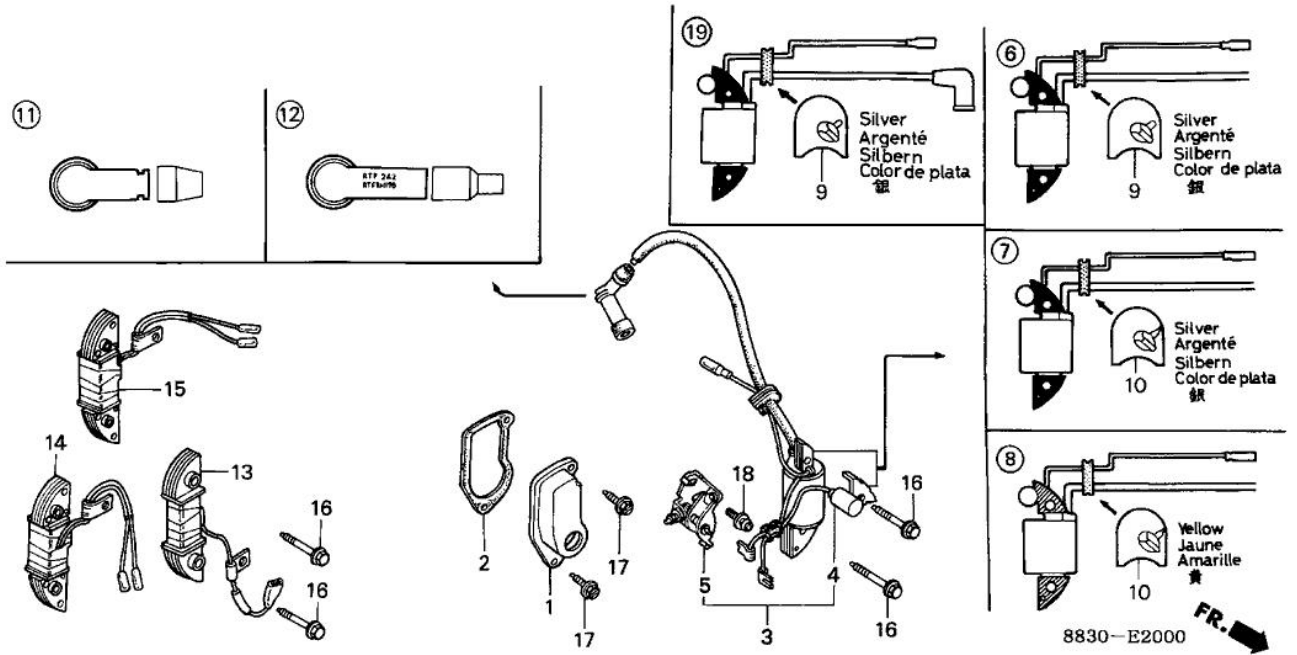
Ref.	Part Number	Part Description	Qty.
001	21510-883-621	CASE, REDUCTION	(1)
002	21591-883-306	GASKET, REDUCTION CASE	(1)
002	21591-ZH8-620	GASKET, REDUCTION CASE	(1)
003	21610-822-611	COVER, REDUCTION	(1)
004	21691-822-306	GASKET, REDUCTION	(1)
005	22121-883-620	CENTER, CLUTCH	(1)
006	22201-822-306	DISK, CLUTCH FRICTION	(2)
007	22311-822-610	PLATE, CLUTCH	(2)
008	22350-822-610	PLATE, CLUTCH PRESSURE	(1)
009	22411-822-611	SPRING, CLUTCH FREE	(4)
010	22421-822-610	HOLDER, CLUTCH SPRING	(4)
011	22521-822-610	WEIGHT, CLUTCH	(48)
012	22531-883-620	HOLDER, CLUTCH WEIGHT	(1)
013	22535-822-610	CENTER, CLUTCH WEIGHT	(1)
014	23120-883-620	SPROCKET, DRIVE	(1)
015	23161-822-611	CHAIN, DRIVE (RK428SH-36LE)	(1)
016	23711-822-610	SHAFT, P.T.O. (28T)	(1)
017	25620-805-612	CAP, REDUCTION OIL (GRAY)	(1)
018	25651-883-621	DIPSTICK, OIL	(1)
019	90403-883-620	WASHER, THRUST (20MM)	(1)
020	90702-881-000	PIN, DOWEL (8X10)	(2)
021	90741-889-810	KEY (7X7X33) (OVER SIZE) (YELLOW)	(1)
022	90741-883-621	KEY (5MM)	(1)
023	91202-805-610	OIL SEAL (PJ30507)	(1)
023	91202-Z2F-801	OIL SEAL (30X50X7)	(1)
024	91301-805-000	O-RING (26X2.7)	(1)
025	92101-08035-0A	BOLT, HEX. (8X35)	(1)
026	92800-12000	BOLT, DRAIN PLUG (12MM)	(1)
027	94109-12000	WASHER, DRAIN PLUG (12MM)	(1)
028	94111-08000	WASHER, SPRING (8MM)	(1)
029	95701-06055-00	BOLT, FLANGE (6X55)	(9)
030	95701-08020-00	BOLT, FLANGE (8X20)	(5)

(NOT AVAILABLE)

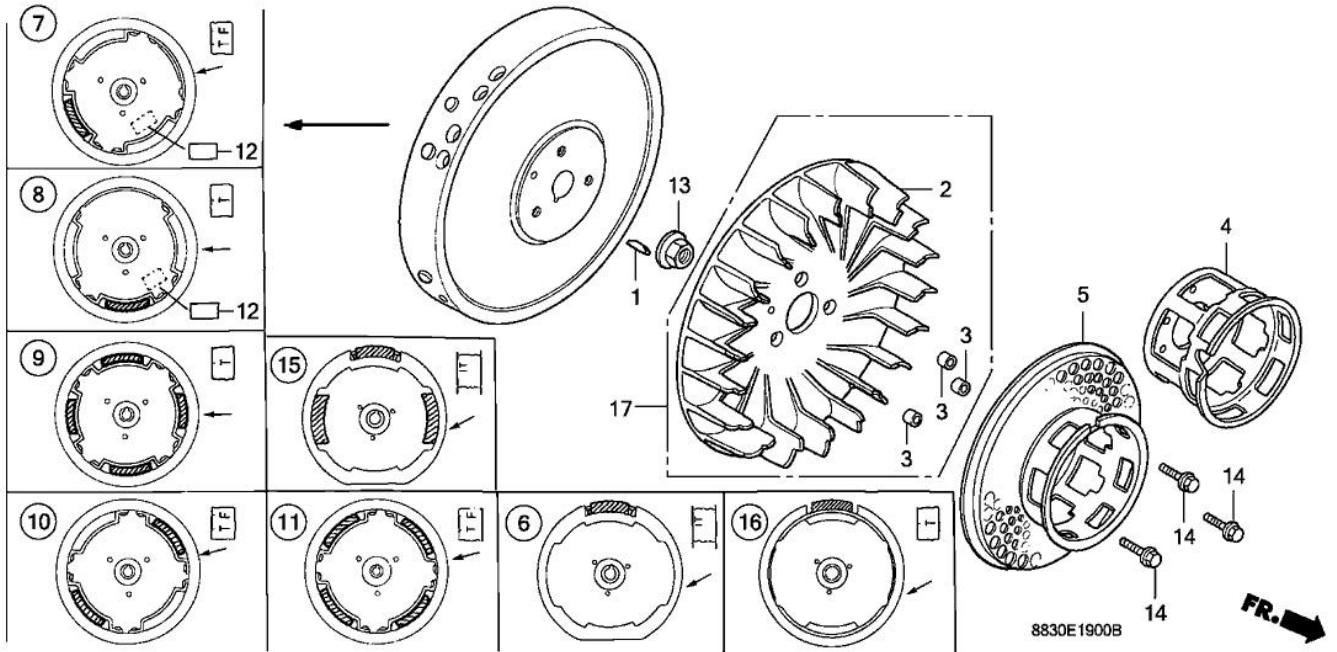
Ref.	Part Number	Part Description	Qty.
030	95701-08022-00	BOLT, FLANGE (8X22)	(5)
031	96100-62050-00	BEARING, RADIAL BALL (6205)	(1)
032	96100-62060-00	BEARING, RADIAL BALL (6206)	(1)



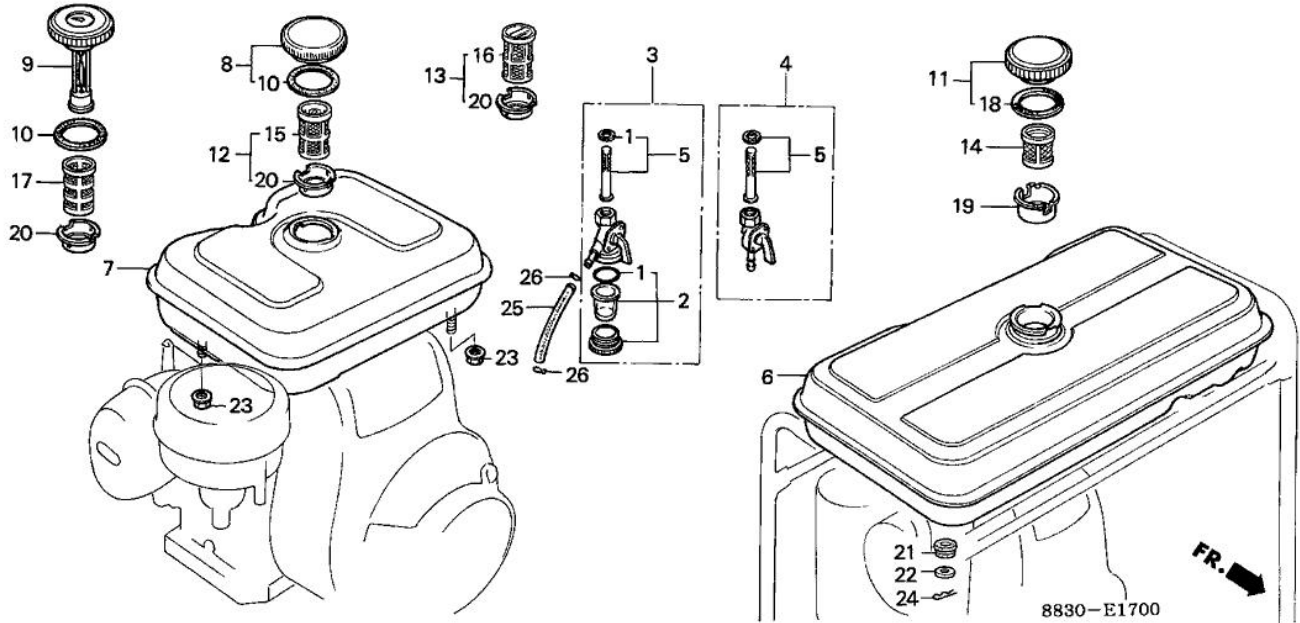
Ref.	Part Number	Part Description	Qty.
001	16551-883-000	ARM, GOVERNOR	001
002	16555-883-010	ROD, GOVERNOR	001
003	16561-883-010	SPRING, GOVERNOR	001
004	16562-883-010	SPRING, THROTTLE RETURN	001
005	16570-883-010	CONTROL ASSY.	(1)
006	16570-883-661	CONTROL ASSY.	001
007	16571-883-300	LEVER, CONTROL	(1)
007	16571-883-300	LEVER, CONTROL	001
008	16574-883-300	SPRING, LEVER	(1)
008	16574-883-300	SPRING, LEVER	001
009	16575-883-300	WASHER, CONTROL LEVER	(1)
009	16575-883-300	WASHER, CONTROL LEVER	001
010	16576-883-300	SPACER, CONTROL LEVER	(1)
010	16576-883-300	SPACER, CONTROL LEVER	001
011	16581-883-320	BASE, CONTROL LEVER	(1)
011	16581-883-320	BASE, CONTROL LEVER	001
012	16582-883-300	HOLDER, CONTROL CABLE	(1)
012	16582-883-300	HOLDER, CONTROL CABLE	001
013	16584-883-300	SPRING, CONTROL ADJUSTING	(1)
013	16584-883-300	SPRING, CONTROL ADJUSTING	001
015	16592-883-310	SPRING, CABLE RETURN	(AR
016	16594-883-010	HOLDER, WIRE	(1)
018	90352-883-003	WINGNUT (6MM)	(1)
019	90002-892-000	BOLT, FLANGE (5X10)	(1)
019	90002-892-000	BOLT, FLANGE (5X10)	001
020	90013-883-000	BOLT, FLANGE (6X12) (CT200)	002
021	90015-ZE5-010	BOLT, GOVERNOR ARM	001
024	90605-230-000	CIRCLIP (5MM)	(1)
025	93500-04006-0H	SCREW, PAN (4X6)	(1)
027	93500-05022-0A	SCREW, PAN (5X22)	(1)
027	93500-05022-0A	SCREW, PAN (5X22)	001
028	94050-06080	NUT, FLANGE (6MM)	001



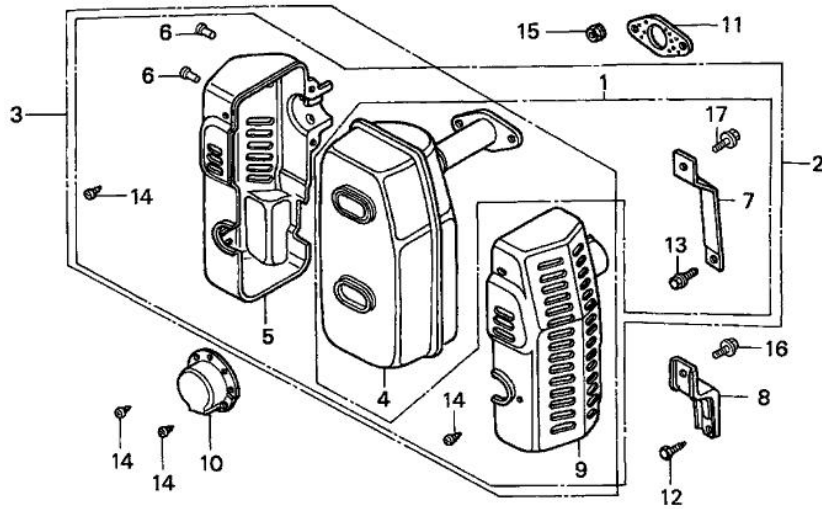
Ref.	Part Number	Part Description	Qty.
001	30211-883-000	COVER, BREAKER	001
002	30215-883-000	GASKET, BREAKER COVER	(NOT AVAILABLE) 001
004	30251-883-003	CONDENSER	001
005	30280-883-005	POINTS ASSY.	001
006	30560-883-015	COIL ASSY., IGNITION	001
009	30563-883-000	GROMMET, WIRE	001
011	30600-841-000	TERMINAL ASSY., IGNITION	(NOT AVAILABLE) 001
016	90017-883-000	BOLT, FLANGE (6X32) (CT200)	AR
017	90019-883-000	BOLT, FLANGE (5X10)	002
018	90051-883-000	SCREW-WASHER (5X12)	001



Ref.	Part Number	Part Description	Qty.
001	13331-357-000	KEY, SPECIAL WOODRUFF (25X18)	001
002	19511-883-020	FAN, COOLING	001
003	19512-883-000	COLLAR, FAN	003
005	28451-883-030	PULLEY, STARTER	001
007	31100-883-040	FLYWHEEL (POINT)	001
013	90201-878-003	NUT, SPECIAL (14MM)	001
014	95701-06016-08	BOLT, FLANGE (6X16)	003



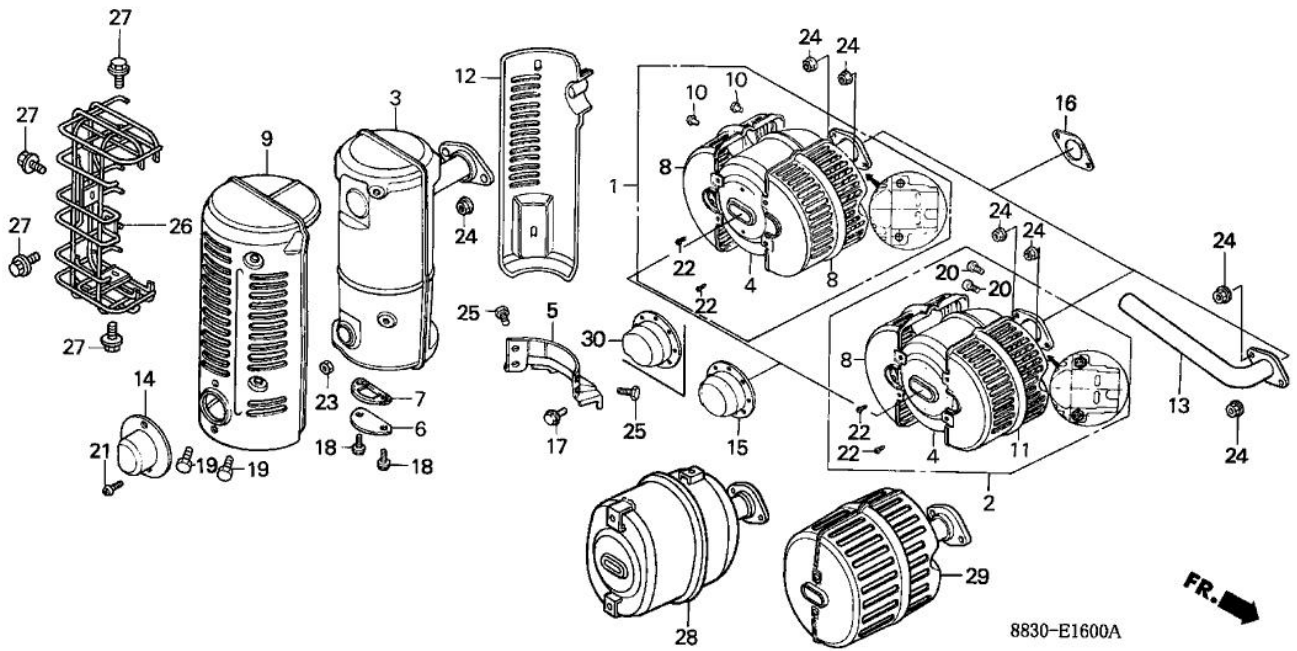
Ref.	Part Number	Part Description	Qty.
001	16080-883-005	GASKET SET, PETCOCK	001
002	16081-471-831	CUP, FUEL STRAINER	001
002	16081-883-015	CUP SET, FUEL STRAINER	001
003	16950-883-045	PETCOCK ASSY.	001
003	16950-898-633	PETCOCK ASSY.	001
005	16952-883-005	SCREEN SET	001
006	17500-876-020ZA	TANK, FUEL *NH31*(MCKINLEY WHITE)	(NOT AVAILABLE) (1)
007	17510-883-050XC	TANK, FUEL	001
007	17510-883-070ZA	TANK, FUEL *NH31*(MCKINLEY WHITE)	(1)
007	17510-883-070ZA	TANK, FUEL *NH31*(MCKINLEY WHITE)	001
008	17620-ZH7-023	CAP, FUEL FILLER (BLACK)	(1)
008	17620-ZH7-023	CAP, FUEL FILLER (BLACK)	001
009	17630-883-691	GAUGE, FUEL (ENGLISH)	(1)
009	17630-883-692	GAUGE, FUEL (ENGLISH)	(NOT AVAILABLE) (1)
010	17631-329-003	GASKET, FUEL FILLER CAP (39X58X3)	(1)
011	17620-ZH7-023	CAP, FUEL FILLER (BLACK)	(1)
014	17670-880-000	FILTER, FUEL	(NOT AVAILABLE) (1)
015	17672-880-000	FILTER, FUEL	001
018	17631-329-003	GASKET, FUEL FILLER CAP (39X58X3)	(3)
019	17673-893-000	HOLDER, FUEL FILTER	(1)
020	17673-893-000	HOLDER, FUEL FILTER	001
021	17682-817-020	RUBBER, TANK CUSHION	(NOT AVAILABLE) (4)
023	94050-06080	NUT, FLANGE (6MM)	003
025	95001-45003-60M	BULK HOSE, FUEL (4.5X3000) OEM CUT SIZE: (4.5X70)	001
026	95002-02080	CLIP, TUBE (B8)	002



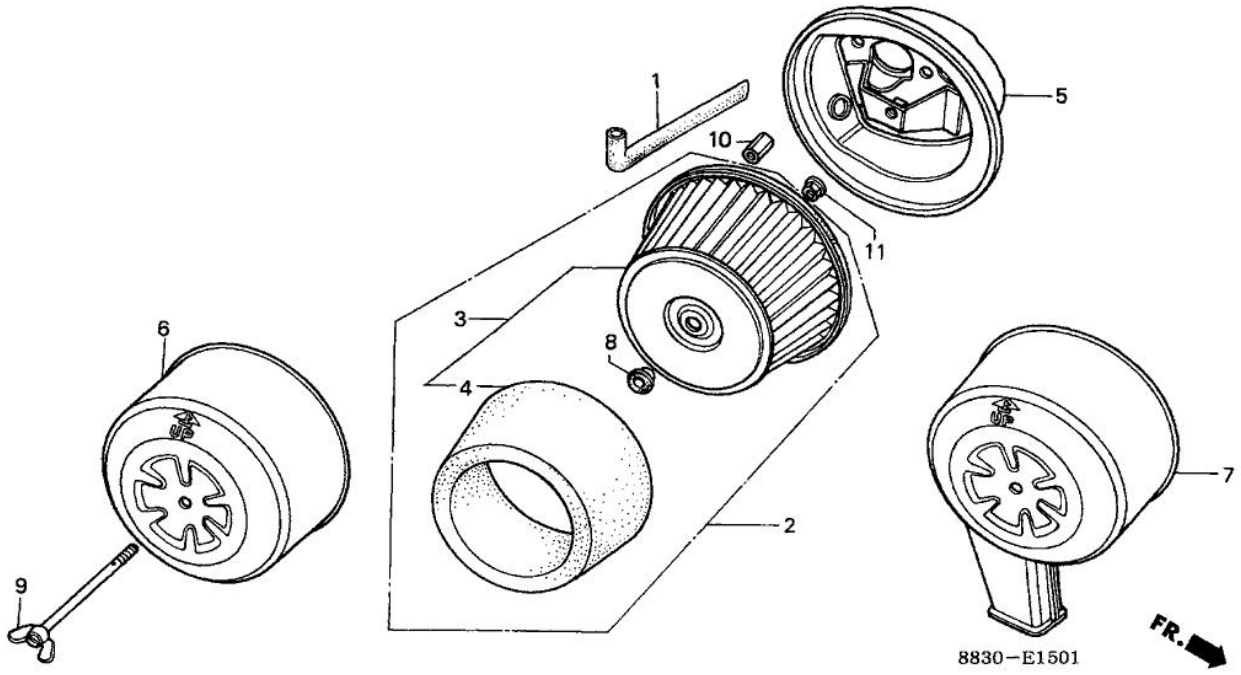
8830-E1601



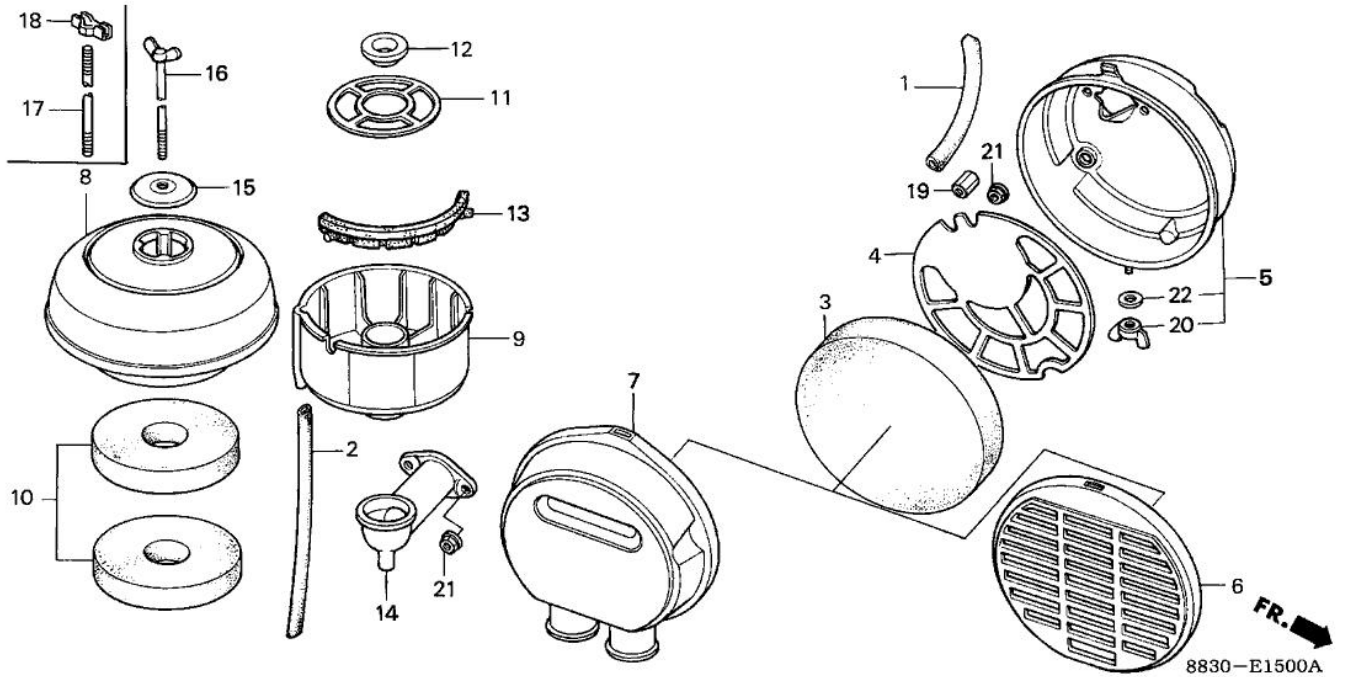
Ref.	Part Number	Part Description	Qty.
003	18300-883-600	MUFFLER ASSY. (NOT AVAILABLE)	001
004	18310-883-600	MUFFLER (NOT AVAILABLE)	001
005	18320-883-600	PROTECTOR, L. MUFFLER	001
006	18321-883-300	RIVET (4X5)	002
008	18324-883-600	STAY, MUFFLER (NOT AVAILABLE)	001
009	18325-883-600	PROTECTOR, R. MUFFLER	001
010	18331-883-810	CAP, MUFFLER	001
011	18381-883-800	GASKET, MUFFLER	001
012	90013-883-000	BOLT, FLANGE (6X12) (CT200)	001
014	90183-671-003	SCREW, TAPPING (4X8)	AR
015	94050-08080	NUT, FLANGE (8MM)	002
016	95700-06010-08	BOLT, FLANGE (6X10)	001
016	95701-06010-08	BOLT, FLANGE (6X10)	001



Ref.	Part Number	Part Description	Qty.
003	18300-883-671	MUFFLER (MUFFLER LID) (NOT AVAILABLE)	(1)
005	18315-883-672	STAY, MUFFLER	(1)
006	18316-883-670	LID, MUFFLER (NOT AVAILABLE)	(1)
007	18317-883-306	GASKET, MUFF RID	(1)
009	18320-883-670	PROTECTOR A, MUFFLER	(1)
012	18325-883-671	PROTECTOR B, MUFFLER	(1)
014	18331-883-670	DEFLECTOR, EX. MUFFLER (NOT AVAILABLE)	(1)
017	90031-883-000	BOLT, FLANGE (8X16)	(1)
018	92101-06012-0B	BOLT, HEX. (6X12)	(2)
019	93101-06006-0B	BOLT, HEX. (6X6)	(5)
020	93500-04006-0B	SCREW, PAN (4X6) (NOT AVAILABLE)	(2)
023	94001-04080-0S	NUT, HEX. (4MM)	(2)
025	95700-06010-08	BOLT, FLANGE (6X10)	(2)
025	95701-06010-08	BOLT, FLANGE (6X10)	(2)



Ref.	Part Number	Part Description	Qty.
002	17210-883-505	ELEMENT, AIR CLEANER	(1)
003	17210-883-505	ELEMENT, AIR CLEANER	(1)
004	17218-883-901	ELEMENT B, AIR CLEANER	(1)
		(NOT AVAILABLE)	



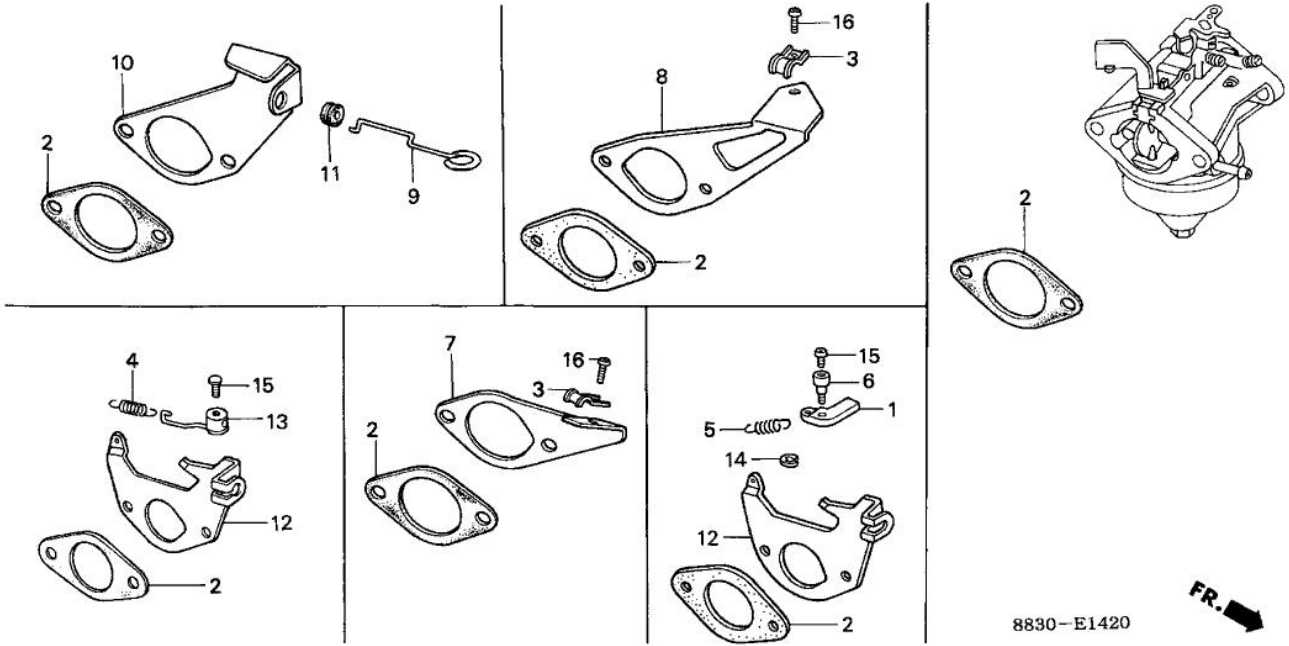
Ref.	Part Number	Part Description		Qty.
002	15721-883-611	TUBE, BREATHER		001
007	17231-883-632	COVER, AIR CLEANER	(NOT AVAILABLE)	(1)
008	17401-865-000	BODY, CLEANER		001
009	17402-841-000	PAN, AIR CLEANER OIL	(NOT AVAILABLE)	001
010	17403-841-000	ELEMENT, AIR CLEANER		001
011	17404-841-000	GRID, AIR CLEANER		001
012	17407-883-610	COLLAR, AIR CLEANER	(NOT AVAILABLE)	001
014	17411-883-611	ELBOW, AIR CLEANER		001
015	17421-841-000	CAP, AIR CLEANER		001
016	17425-865-780	BOLT, AIR CLEANER		001
021	94050-06080	NUT, FLANGE (6MM)		002

Section

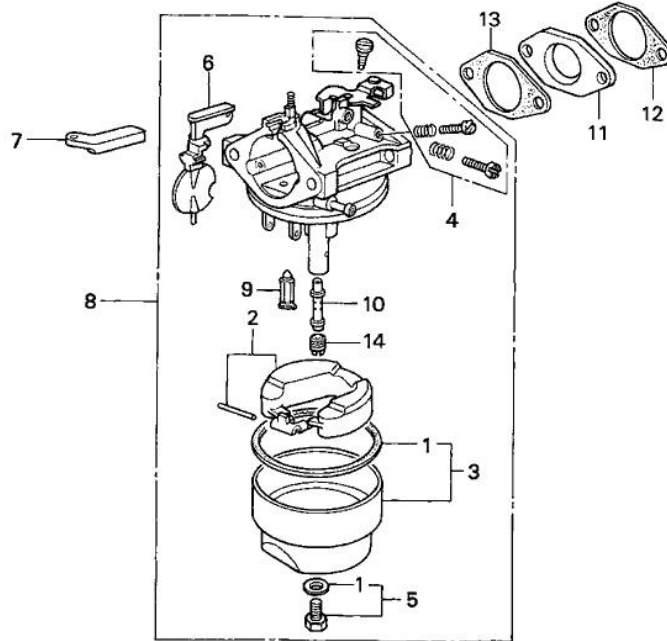
ENGINE

Illustration

CHOKE CONTROL STAY



Ref.	Part Number	Part Description	Qty.
002	16269-883-800	GASKET, AIR CLEANER	001
009	16611-883-610	ROD, CHOKE CONTROL	001
010	16612-883-610	STAY, CHOKE CONTROL	001
011	16613-883-610	GROMMET, CHOKE ROD	001



8830-E1402



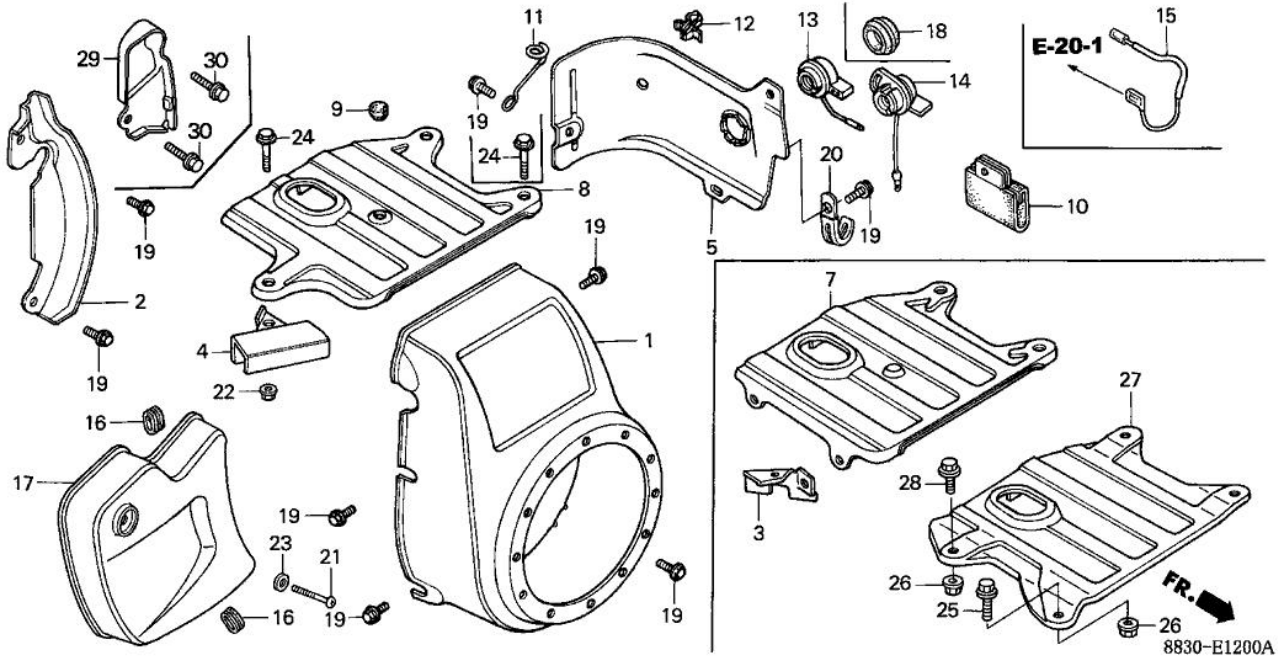
Ref.	Part Number	Part Description	Qty.
001	16010-883-015	GASKET SET	001
002	16013-883-005	FLOAT SET (CARBURETOR NO.)	001
003	16015-896-701	CHAMBER SET, FLOAT (CARBURETOR NO.)	(NOT AVAILABLE) 001
004	16016-883-661	SCREW SET A (CARBURETOR NO.)	001
004	16016-ZA1-701	SCREW SET A (CARBURETOR NO.)	(1)
005	16028-883-005	SCREW SET B (CARBURETOR NO.)	001
005	16028-ZE0-005	SCREW SET	001
005	16028-ZK7-S91	SCREW SET	001
006	16044-883-015	CHOKE SET (CARBURETOR NO.)	001
007	16046-883-005	ARM, CHOKE LEVER	001
008	16100-883-105	CARBURETOR ASSY.	(1)
008	16100-883-105	CARBURETOR ASSY.	001
009	16155-883-005	VALVE, FLOAT (CARBURETOR NO.)	001
010	16166-883-005	NOZZLE, MAIN (CARBURETOR NO.)	001
011	16211-883-000	INSULATOR, CARBURETOR	001
012	16212-883-800	GASKET, INSULATOR	001
013	16221-883-306	GASKET, CARBURETOR	001
013	16221-887-800	GASKET, CARBURETOR	001
014	99101-124-0650	JET, MAIN (#65) (CARBURETOR NO.)	(1)
014	99101-124-0680	JET, MAIN (#68) (CARBURETOR NO.)	(1)
014	99101-124-0700	JET, MAIN (#70) (CARBURETOR NO.)	(1)
014	99101-124-0720	JET, MAIN (#72) (CARBURETOR NO.)	001

Section

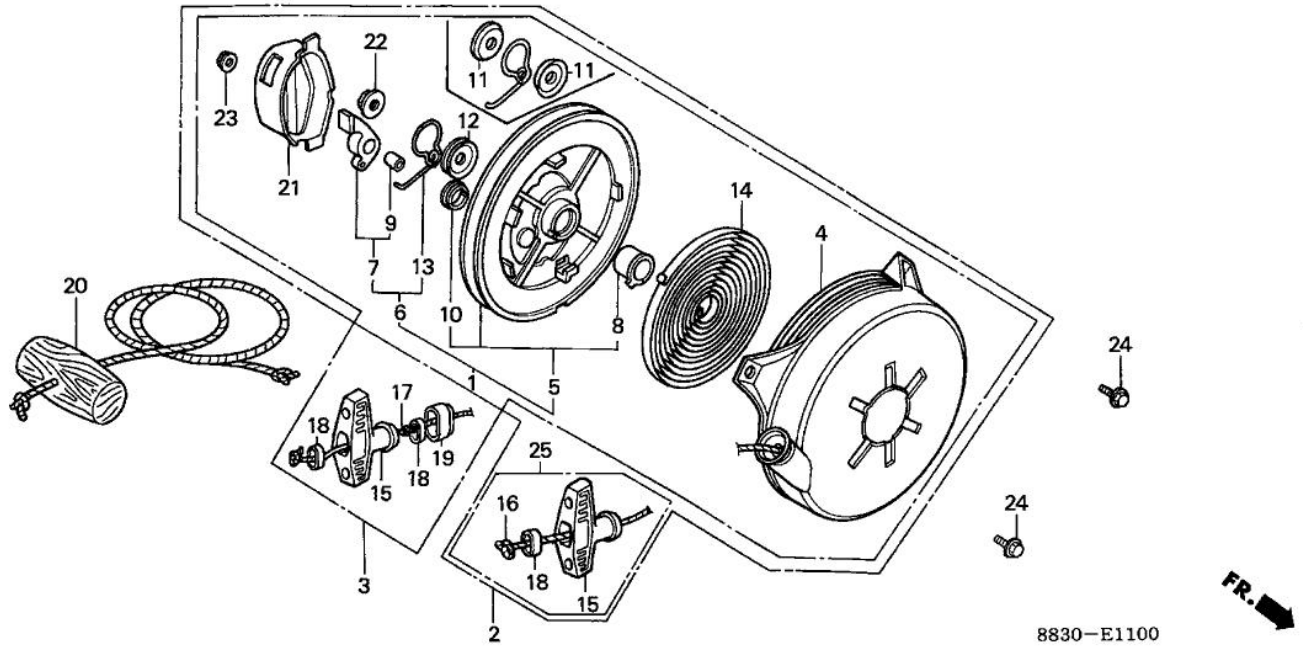
ENGINE

Illustration

FAN COVER



Ref.	Part Number	Part Description	Qty.
001	19610-883-R90ZB	COVER, FAN *R280*(POWER RED)	001
002	19611-883-000	PLATE, SIDE	001
005	19631-883-010	SHROUD	001
008	19641-883-020	COVER, TOP	001
009	19643-883-010	GROMMET, TOP COVER	001
012	30701-883-000	CLIP, IGNITION WIRE (8MM)	001
013	36100-883-812	SWITCH ASSY., ENGINE STOP	(1)
013	36100-ZE1-015	SWITCH ASSY., ENGINE STOP	(1)
018	81329-567-020	GROMMET, DRAIN HOLE	001
019	90013-883-000	BOLT, FLANGE (6X12) (CT200)	008
020	91405-671-000	CLIP, WIRE	001



8830-E1100

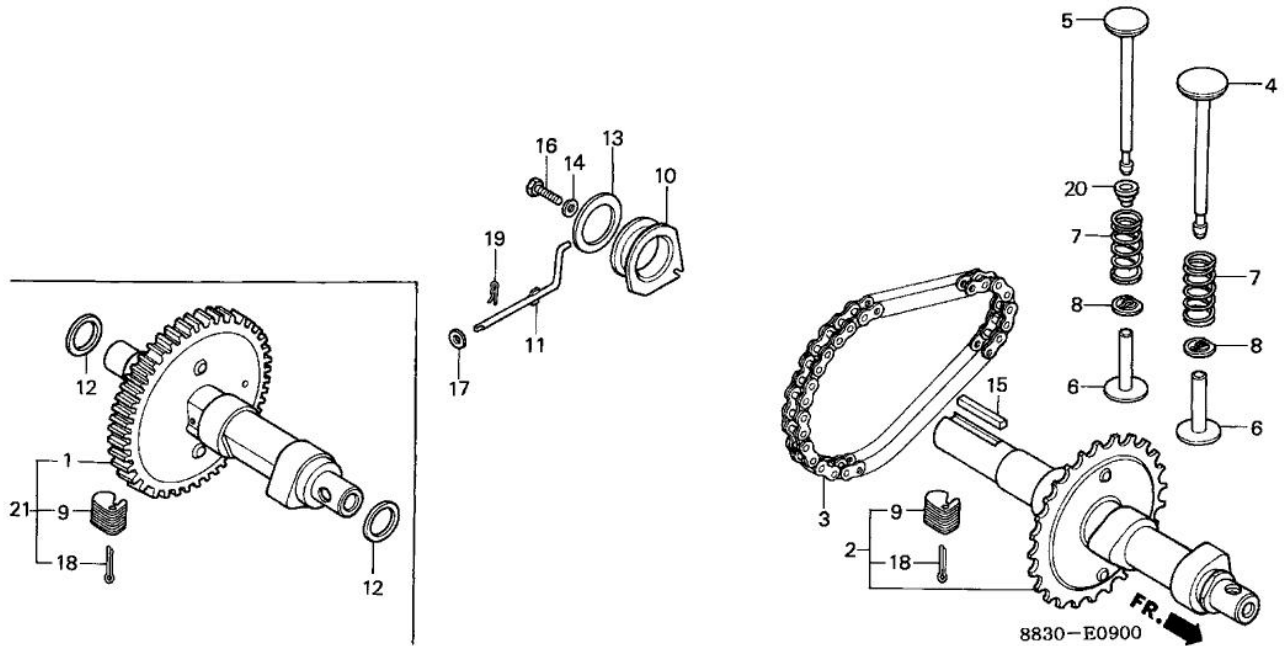
Ref.	Part Number	Part Description	Qty.
002	28400-883-040ZC	STARTER, RECOIL *R8*	001
004	28410-883-030ZB	CASE, STARTER *R8*(BRIGHT RED)	001
005	28420-889-010	REEL, STARTER	001
007	28422-883-020	RATCHET	001
008	28424-883-000	BOSS, REEL	001
009	28425-889-300	BUSH, RATCHET	001
010	28427-883-300	BUSH, REEL STARTER	001
012	28432-883-000	PLATE, FRICTION	001
013	28441-883-020	SPRING, FRICTION	001
014	28442-883-000	SPRING, RETURN	001
015	28461-883-000	GRIP, STARTER	001
016	28462-ZE1-003	ROPE, RECOIL STARTER	001
018	28463-883-000	SUPPORT, GRIP	001
020	28470-816-000	ROPE, STARTER	(1)
021	28474-883-010	COVER, STARTER REEL	001
022	90115-659-003	NUT, SELF-LOCK (8MM) (CLINCH)	001
023	94050-05000	NUT, FLANGE (5MM)	001
024	95701-06008-00	BOLT, FLANGE (6X8)	003

Section

ENGINE

Illustration

CAMSHAFT



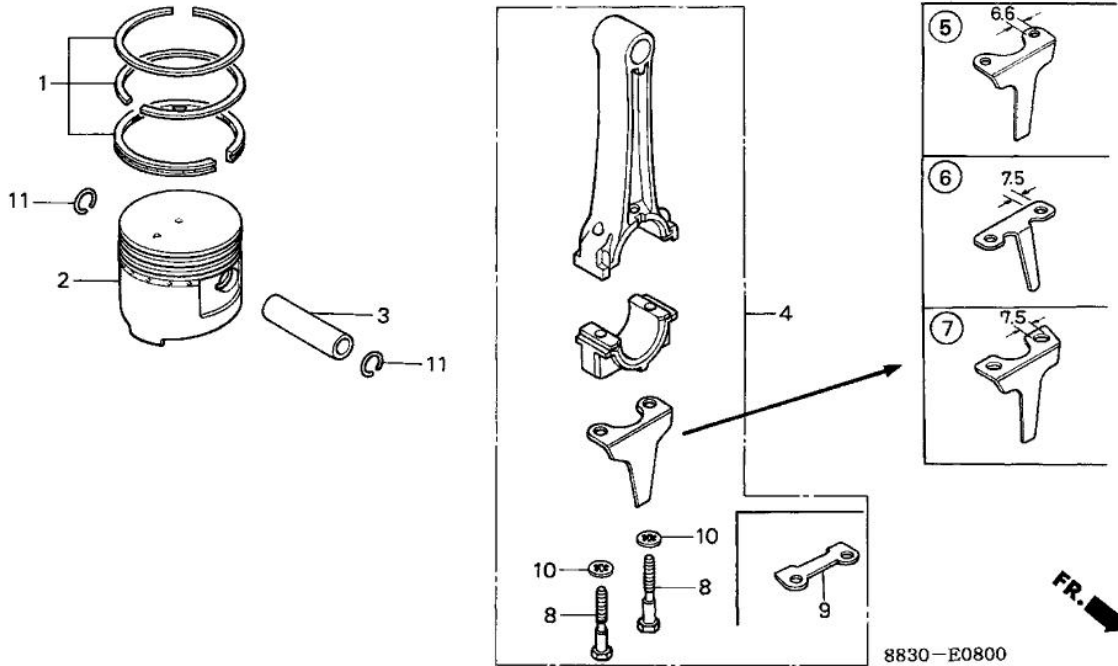
Ref.	Part Number	Part Description	Qty.
004	14711-883-000	VALVE, IN.	001
005	14721-883-000	VALVE, EX.	001
006	14736-883-010	LIFTER, VALVE (39.6MM)	(2)
006	14746-883-010	LIFTER, VALVE (39.9MM)	(2)
007	14751-883-000	SPRING, VALVE	002
008	14771-883-305	RETAINER, VALVE SPRING	002
009	16511-883-300	WEIGHT, GOVERNOR	014
010	16531-883-010	SLIDER, GOVERNOR	001
011	16541-883-000	SHAFT, GOVERNOR ARM	001
012	90452-883-000	WASHER, THRUST (18MM) (HELICAL GEAR)	002
017	94101-05000	WASHER, PLAIN (5MM)	001
017	94251-08000	PIN, LOCK (8MM)	001
018	94201-30250	PIN, SPLIT (3.0X25)	002
018	94201-30450	PIN, SPLIT (3.0X45)	002
021	14110-883-020	CAMSHAFT ASSY.	001

Section

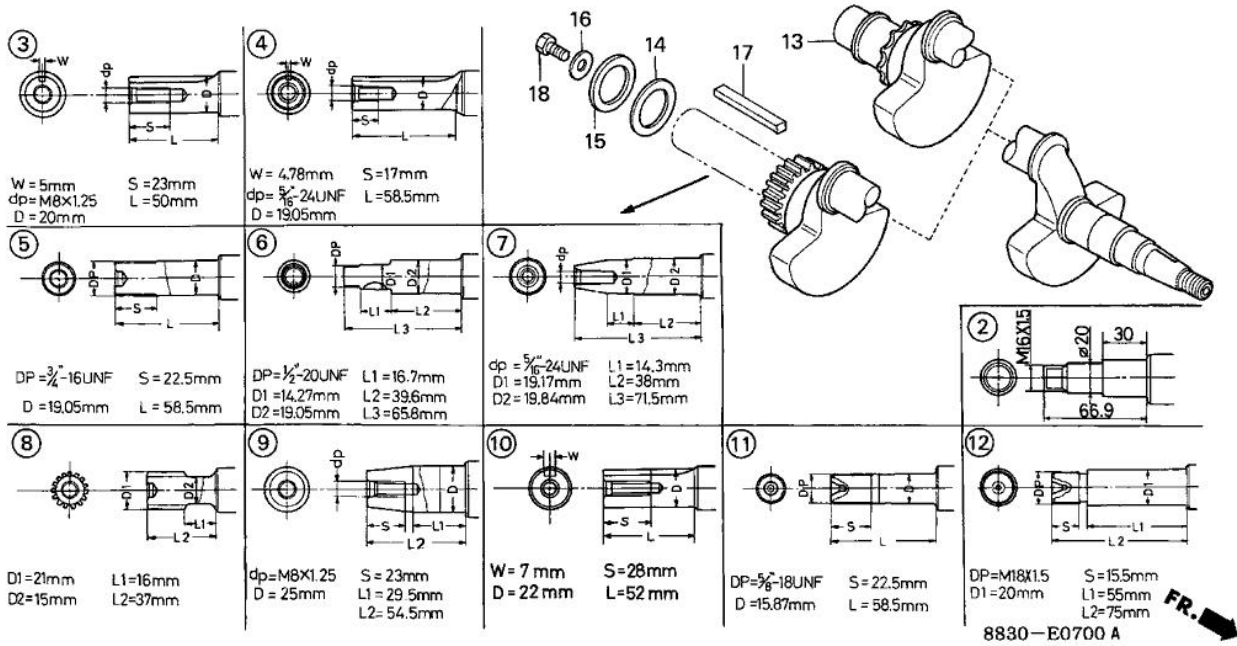
ENGINE

Illustration

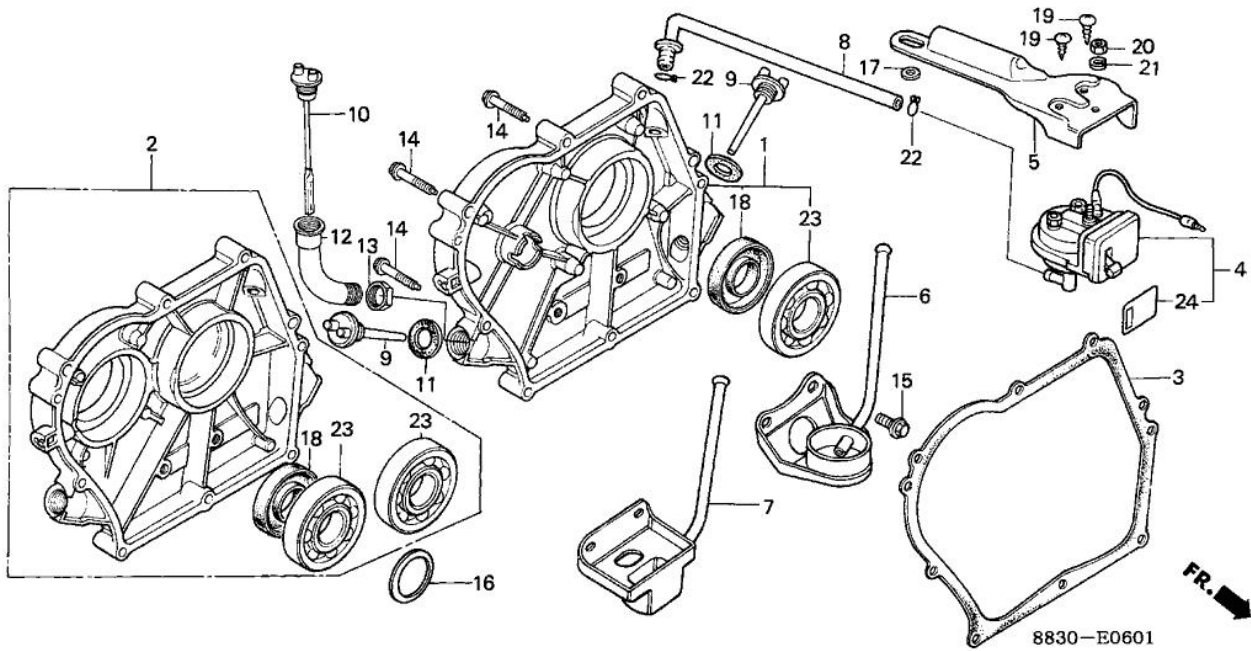
PISTON



Ref.	Part Number	Part Description	Qty.
001	13010-894-003	RING SET, PISTON (STD) (TEIKOKU)	001
001	13010-YA0-004	RING SET, PISTON (STD) (NIPPON)	001
001	13011-YA0-004	RING SET, PISTON (0.25) (NIPPON)	(1)
001	13012-YA0-004	RING SET, PISTON (0.50) (NIPPON)	(1)
001	13013-YA0-004	RING SET, PISTON (0.75) (NIPPON)	(1)
002	13101-883-003	PISTON (STD)	001
002	13102-883-003	PISTON (0.25)	(1)
002	13103-883-003	PISTON (0.50)	(1)
002	13104-883-003	PISTON (0.75)	(1)
003	13111-883-000	PIN, PISTON	001
004	13200-883-060	ROD ASSY., CONNECTING	001
004	13200-883-345	ROD ASSY., CONNECTING (UNDER SIZE)	(1)
006	13281-883-030	DIPPER, CONNECTING ROD	001
008	90001-883-020	BOLT, CONNECTING ROD (7MM)	002
010	90432-889-003	WASHER, LOCK (7MM)	002
011	90551-883-000	CLIP, PISTON PIN (15MM)	002
011	94601-15000	CLIP, PISTON PIN (15MM)	002



Ref.	Part Number	Part Description	Qty.
003	13310-883-010	CRANKSHAFT	001
018	92101-08025-0A	BOLT, HEX. (8X25)	(1)



Ref.	Part Number	Part Description	Qty.
001	11300-883-890	COVER ASSY., CRANKCASE	001
003	11381-883-800	GASKET, CASE COVER	001
004	15520-883-881	SWITCH ASSY., OIL ALERT UNIT	001
005	15521-883-890	BRACKET, OIL ALERT UNIT SWITCH	001
007	15525-883-891	CUP, OIL	001
008	15530-883-891	TUBE, OIL ALERT	001
009	15620-883-010	CAP, OIL (YELLOW)	002
011	15621-896-010	GASKET, OIL FILLER CAP	002
014	90017-883-000	BOLT, FLANGE (6X32) (CT200)	008
015	90061-161-000	BOLT, FLANGE (6X16)	002
017	90581-831-650	WASHER (18MM)	002
018	91202-883-005	OIL SEAL (25X41X6)	001
019	93903-25180	SCREW, TAPPING (5X10)	002
020	94001-05080-0S	NUT, HEX. (5MM)	001
021	94111-05800	WASHER, SPRING (5MM)	001
022	95002-70000	CLIP, TUBE (C11)	002
023	96100-62050-00	BEARING, RADIAL BALL (6205)	001