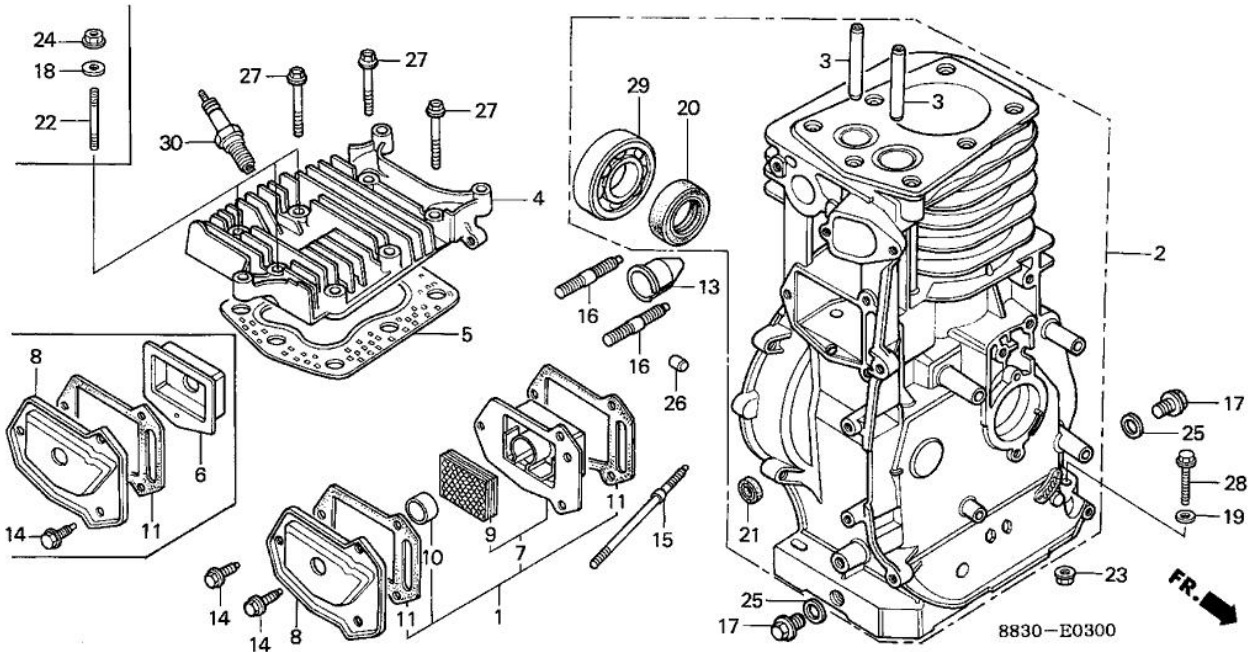


# TRU-POWER, INC.

<b>Model Name</b>	<b>G200</b>	<b>Product Line</b>	<b>GENERAL PURPOSE ENGINE</b>
<b>Mfg</b>		<b>Type</b>	<b>PEAF</b>
<b>Section</b>	<b>ENGINE</b>	<b>Illustration</b>	<b>CYLINDER - CYLINDER HEAD</b>



Ref.	Part Number	Part Description	Qty.
001	06123-883-305	CASE KIT, BREATHER (NOT AVAILABLE)	(1)
002	12000-883-325	CYLINDER ASSY.	001
002	12000-883-335	CYLINDER ASSY.	001
002	12000-883-345	CYLINDER ASSY.	001
003	12133-883-306	GUIDE, VALVE (OVER SIZE)	(2)
003	12134-883-305	GUIDE, VALVE (OVER SIZE)	(2)
004	122A2-883-030	CYLINDER HEAD	001
005	12281-883-306	GASKET, CYLINDER HEAD	001
005	12281-883-800	GASKET, CYLINDER HEAD	001
005	12281-883-801	GASKET, CYLINDER HEAD	001
006	12360-883-010	CASE, BREATHER	001
007	12360-883-010	CASE, BREATHER	001
008	12361-883-000	COVER, TAPPET ROOM	001
009	12367-883-003	FILTER, BREATHER	001
010	12369-883-000	SEAL, BREATHER	001
011	12375-883-000	GASKET, TAPPET COVER	001
011	12375-883-000	GASKET, TAPPET COVER	002
014	90013-883-000	BOLT, FLANGE (6X12) (CT200)	003
015	90043-883-010	BOLT, STUD (6X95)	002
015	90043-883-681	BOLT, STUD (6X89)	002
016	90047-883-000	BOLT, STUD (8X35)	002
017	90131-896-650	BOLT, DRAIN PLUG (12X15)	002
020	91202-883-005	OIL SEAL (25X41X6)	001
025	94109-12000	WASHER, DRAIN PLUG (12MM)	001
026	94301-08140	PIN, DOWEL (8X14)	002
027	95700-08045-08	BOLT, FLANGE (8X45)	007
027	95701-08045-08	BOLT, FLANGE (8X45)	007
029	96100-62050-00	BEARING, RADIAL BALL (6205)	001
030	98076-54710	SPARK PLUG (B-4H) (NGK)	001
030	98076-54720	SPARK PLUG (W14F-U) (DENSO)	(1)
030	98076-54757	SPARK PLUG (W14FR-U)	(1)
030	98076-54911	SPARK PLUG (BP-4HS-10) (NGK)	(1)

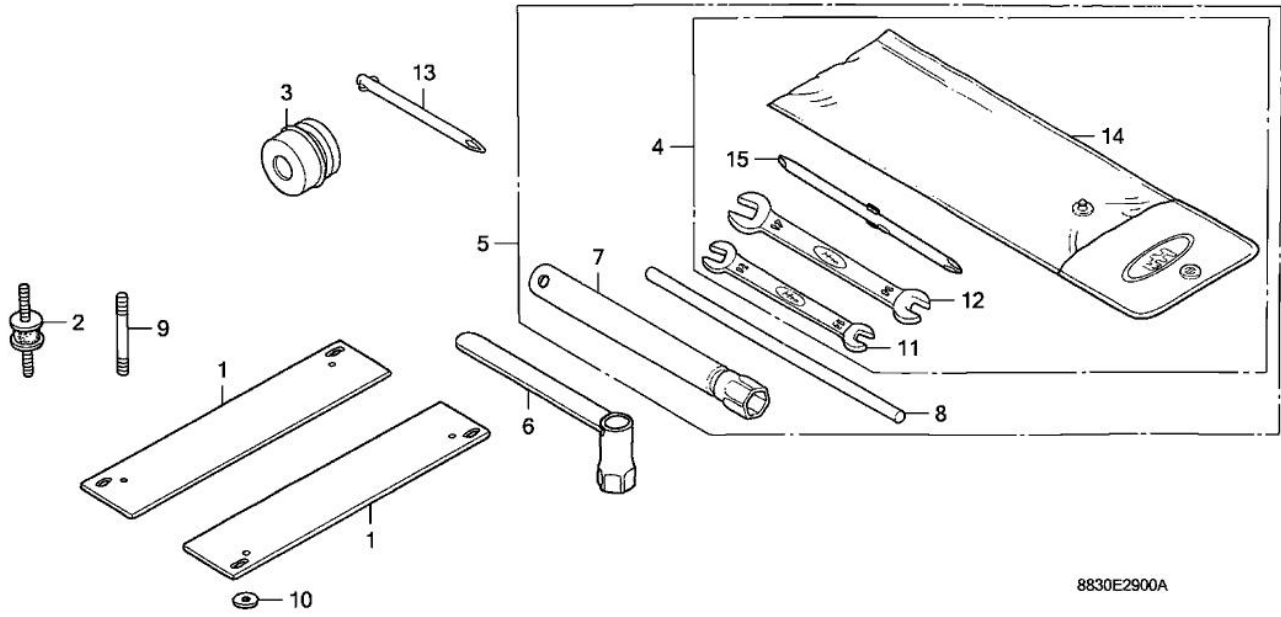
# TRU-POWER, INC.

<b>Model Name</b>	<b>G200</b>	<b>Product Line</b>	<b>GENERAL PURPOSE ENGINE</b>
<b>Mfg</b>		<b>Type</b>	<b>PEAF</b>
<b>Section</b>	<b>ENGINE</b>	<b>Illustration</b>	<b>CYLINDER - CYLINDER HEAD</b>

Ref.	Part Number	Part Description	Qty.
030	98076-54914	SPARK PLUG (BPR-4HS-10) (NGK)	(1)
030	98076-54917	SPARK PLUG (BPR4HS-10)	(1)
030	98076-54919	SPARK PLUG (BP4HS-10)	(1)
030	98076-54921	SPARK PLUG (W14FP-UL10) (DENSO)	(1)
030	98076-54954	SPARK PLUG (W14FPR-UL10) (DENSO)	(1)
030	98076-56716	SPARK PLUG (BR6HS) (NGK)	(1)
030	98076-56724	SPARK PLUG (W20FS-U) (DENSO)	(1)
030	98076-56740	SPARK PLUG (B6HS) (NGK)	(1)
030	98076-56927	SPARK PLUG (W20FPR-U10) (DENSO)	(1)

# TRU-POWER, INC.

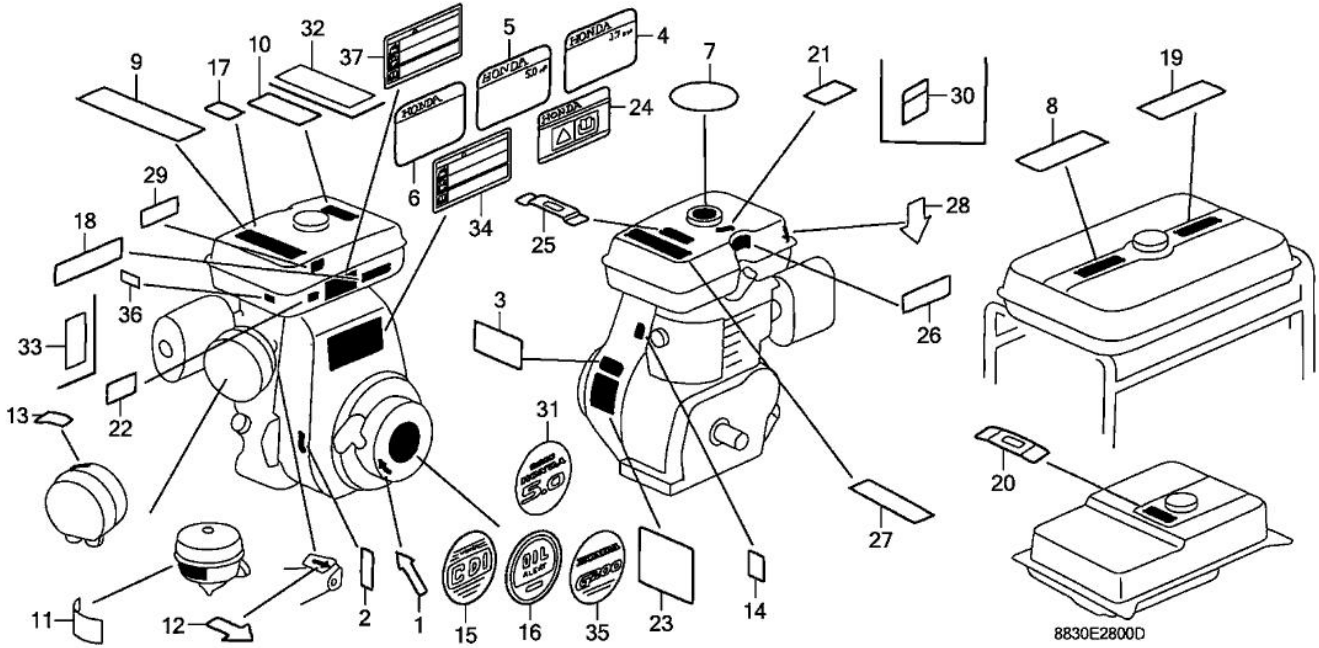
Model Name	G200	Product Line	GENERAL PURPOSE ENGINE
Mfg		Type	PEAF
Section	ENGINE	Illustration	TOOL



Ref.	Part Number	Part Description	Qty.
007	89216-809-000	WRENCH, SPARK PLUG	001

# TRU-POWER, INC.

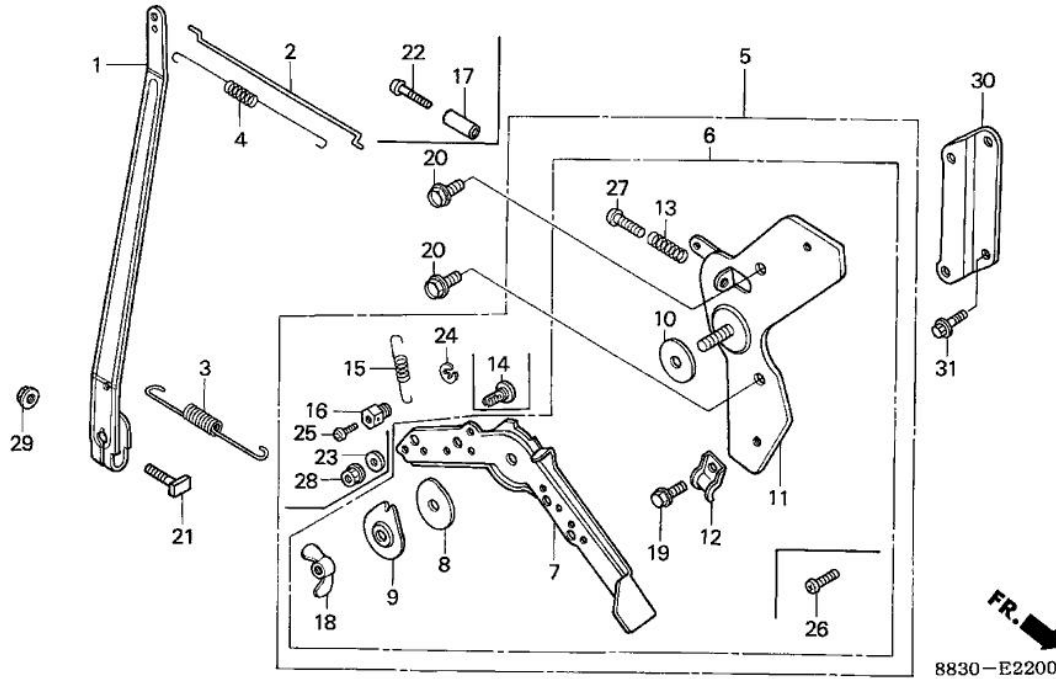
Model Name	G200	Product Line	GENERAL PURPOSE ENGINE
Mfg		Type	PEAF
Section	ENGINE	Illustration	LABEL



Ref.	Part Number	Part Description	Qty.
005	87521-883-661	EMBLEM (ENGLISH/FRENCH/SPANISH)	(1)
005	87521-883-661	EMBLEM (ENGLISH/FRENCH/SPANISH)	001
009	87522-883-660	MARK, CAUTION (ENGLISH/FRENCH/SPANISH)	001
012	87528-883-661	MARK, CHOKE	(1)
012	87528-883-661	MARK, CHOKE	001
019	87522-836-670	MARK A, CAUTION	(1)
019	87561-880-600	MARK, CAUTION (ENGLISH/FRENCH/SPANISH)	(1)
023	87594-883-000	MARK, OIL CAUTION	001

# TRU-POWER, INC.

<b>Model Name</b>	<b>G200</b>	<b>Product Line</b>	<b>GENERAL PURPOSE ENGINE</b>
<b>Mfg</b>		<b>Type</b>	<b>PEAF</b>
<b>Section</b>	<b>ENGINE</b>	<b>Illustration</b>	<b>CONTROL (1)</b>



Ref.	Part Number	Part Description	Qty.
001	16551-883-000	ARM, GOVERNOR	001
002	16555-883-010	ROD, GOVERNOR	001
003	16561-883-010	SPRING, GOVERNOR	001
004	16562-883-000	SPRING, THROTTLE RETURN	001
004	16562-883-010	SPRING, THROTTLE RETURN	001
005	16570-883-010	CONTROL ASSY.	(1)
006	16570-883-661	CONTROL ASSY.	001
007	16571-883-300	LEVER, CONTROL	(1)
007	16571-883-300	LEVER, CONTROL	001
008	16574-883-300	SPRING, LEVER	(1)
008	16574-883-300	SPRING, LEVER	001
009	16575-883-300	WASHER, CONTROL LEVER	(1)
009	16575-883-300	WASHER, CONTROL LEVER	001
010	16576-883-300	SPACER, CONTROL LEVER	(1)
010	16576-883-300	SPACER, CONTROL LEVER	001
011	16581-883-320	BASE, CONTROL LEVER	(1)
011	16581-883-320	BASE, CONTROL LEVER	(1)
011	16581-883-320	BASE, CONTROL LEVER	001
012	16582-883-300	HOLDER, CONTROL CABLE	(1)
012	16582-883-300	HOLDER, CONTROL CABLE	001
013	16584-883-300	SPRING, CONTROL ADJUSTING	(1)
013	16584-883-300	SPRING, CONTROL ADJUSTING	001
015	16592-883-310	SPRING, CABLE RETURN	(AR
016	16594-883-010	HOLDER, WIRE	(1)
018	82111-567-831	WINGNUT (6MM)	(1)
018	90352-883-003	WINGNUT (6MM)	(1)
019	90002-892-000	BOLT, FLANGE (5X10)	(1)
019	90002-892-000	BOLT, FLANGE (5X10)	001
020	90013-883-000	BOLT, FLANGE (6X12) (CT200)	002
021	90015-ZE5-010	BOLT, GOVERNOR ARM	001
024	90605-230-000	CIRCLIP (5MM)	(1)
025	93500-04006-0H	SCREW, PAN (4X6)	(1)

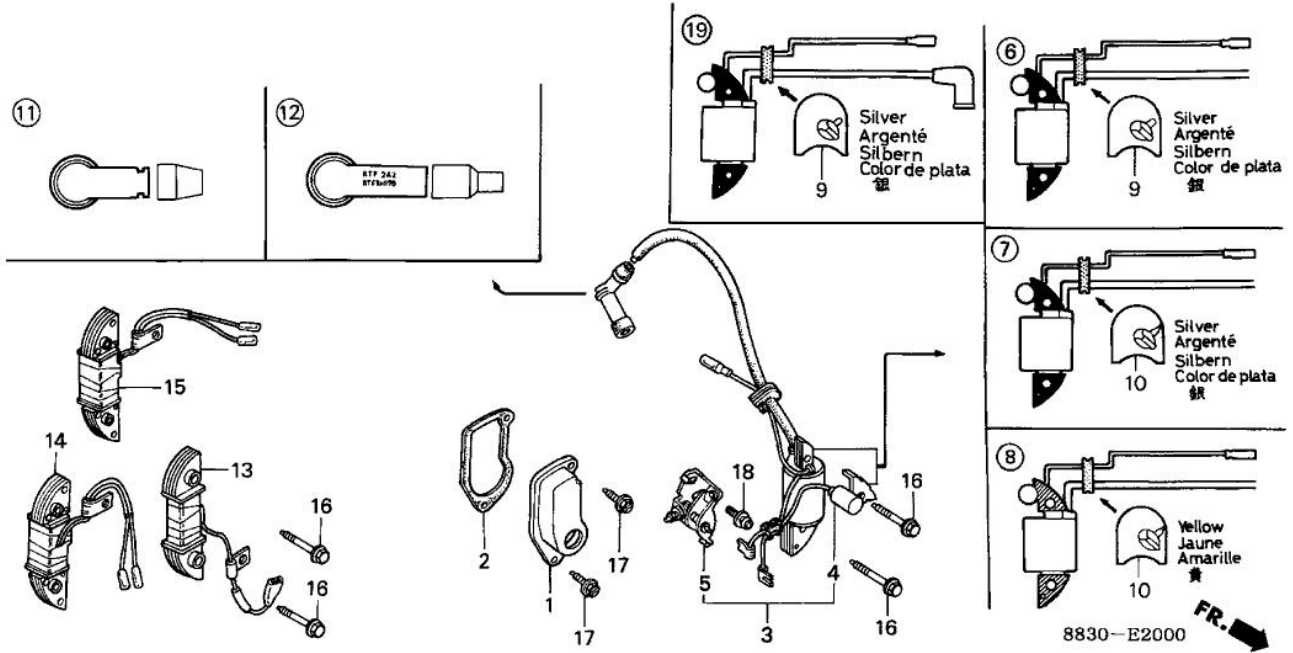
# TRU-POWER, INC.

<b>Model Name</b>	<b>G200</b>	<b>Product Line</b>	<b>GENERAL PURPOSE ENGINE</b>
<b>Mfg</b>		<b>Type</b>	<b>PEAF</b>
<b>Section</b>	<b>ENGINE</b>	<b>Illustration</b>	<b>CONTROL (1)</b>

Ref.	Part Number	Part Description	Qty.
026	93500-05010-0A	SCREW, PAN (5X10)	(1)
027	93500-05022-0A	SCREW, PAN (5X22)	(1)
027	93500-05022-0A	SCREW, PAN (5X22)	001
028	94050-06080	NUT, FLANGE (6MM)	001

# TRU-POWER, INC.

Model Name	G200	Product Line	GENERAL PURPOSE ENGINE
Mfg		Type	PEAF
Section	ENGINE	Illustration	IGNITION COIL (1)



Ref.	Part Number	Part Description	Qty.
001	30211-883-000	COVER, BREAKER	001
002	30215-883-000	GASKET, BREAKER COVER	(NOT AVAILABLE) 001
004	30251-883-003	CONDENSER	001
005	30280-883-005	POINTS ASSY.	001
006	30560-883-015	COIL ASSY., IGNITION	001
009	30563-883-000	GROMMET, WIRE	001
011	30600-841-000	TERMINAL ASSY., IGNITION	(NOT AVAILABLE) 001
016	90017-883-000	BOLT, FLANGE (6X32) (CT200)	AR
017	90019-883-000	BOLT, FLANGE (5X10)	002
018	90051-883-000	SCREW-WASHER (5X12)	001

# TRU-POWER, INC.

Product Line **GENERAL PURPOSE ENGINE**  
 Type **PEAF**

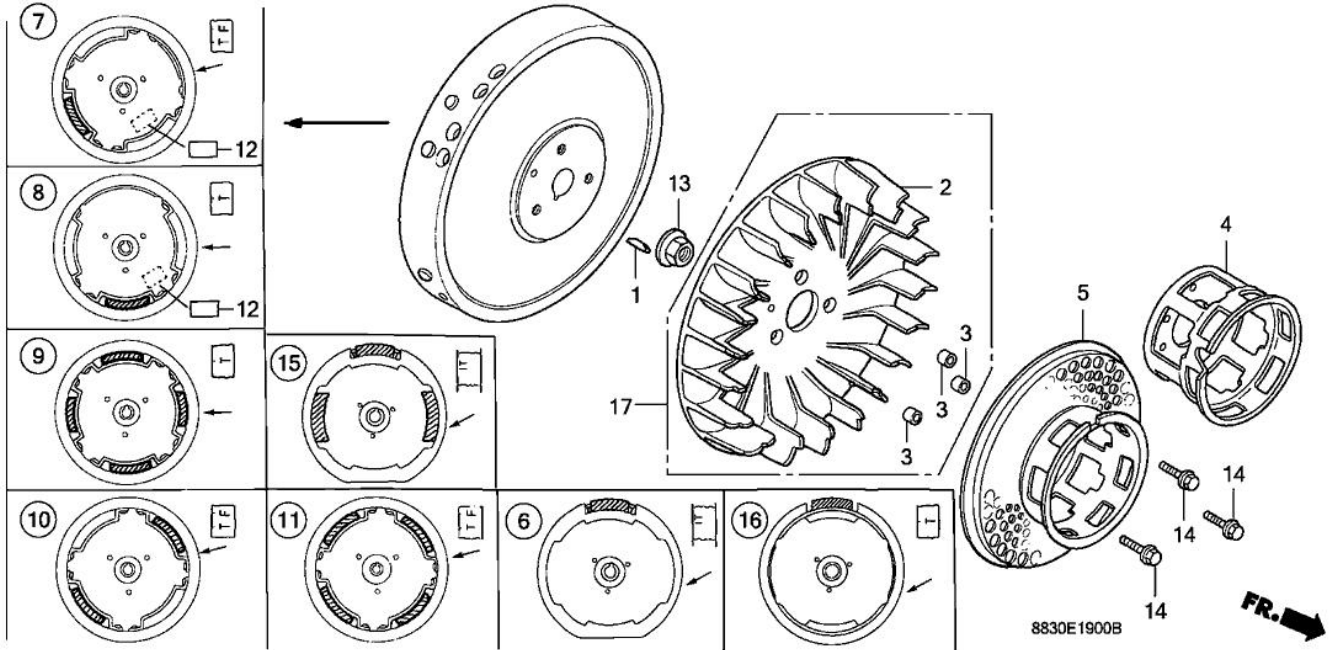
Model Name **G200**

Mfg

Section **ENGINE**

Illustration

**FLYWHEEL**

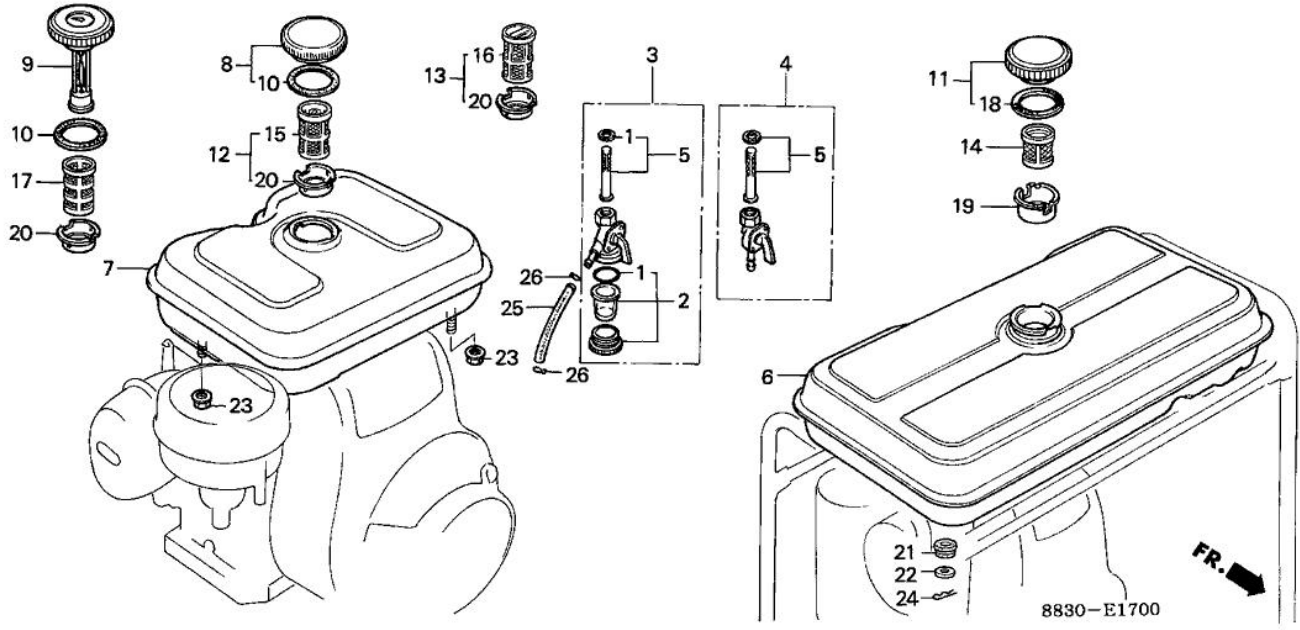


Ref.	Part Number	Part Description	Qty.
001	13331-357-000	KEY, SPECIAL WOODRUFF (25X18)	001
002	19511-883-020	FAN, COOLING	001
003	19512-883-000	COLLAR, FAN	003
005	28451-883-030	PULLEY, STARTER	001
007	31100-883-040	FLYWHEEL (POINT)	001
013	90201-878-003	NUT, SPECIAL (14MM)	001
014	95701-06016-08	BOLT, FLANGE (6X16)	003



# TRU-POWER, INC.

Model Name	G200	Product Line	GENERAL PURPOSE ENGINE
Mfg		Type	PEAF
Section	ENGINE	Illustration	FUEL TANK (1)



Ref.	Part Number	Part Description	Qty.
001	16080-883-005	GASKET SET, PETCOCK	001
002	16081-471-831	CUP, FUEL STRAINER	001
002	16081-883-015	CUP SET, FUEL STRAINER	001
003	16950-883-045	PETCOCK ASSY.	001
003	16950-898-633	PETCOCK ASSY.	001
005	16952-883-005	SCREEN SET	001
006	17500-876-010XC	TANK, FUEL	(1)
006	17500-876-020ZA	TANK, FUEL *NH31*(MCKINLEY WHITE)	(NOT AVAILABLE) (1)
007	17510-883-030XC	TANK, FUEL	001
007	17510-883-040XC	TANK, FUEL	001
007	17510-883-050XC	TANK, FUEL	001
007	17510-883-070ZA	TANK, FUEL *NH31*(MCKINLEY WHITE)	(1)
007	17510-883-070ZA	TANK, FUEL *NH31*(MCKINLEY WHITE)	001
008	17620-102-730	CAP, SUB-TANK	001
008	17620-ZH7-023	CAP, FUEL FILLER (BLACK)	(1)
008	17620-ZH7-023	CAP, FUEL FILLER (BLACK)	001
009	17630-883-691	GAUGE, FUEL (ENGLISH)	(1)
009	17630-883-692	GAUGE, FUEL (ENGLISH)	(NOT AVAILABLE) (1)
010	17631-096-701	GASKET, FUEL FILLER CAP	001
010	17631-329-003	GASKET, FUEL FILLER CAP (39X58X3)	(1)
011	17620-402-010	CAP, FUEL FILLER	(1)
011	17620-ZH7-023	CAP, FUEL FILLER (BLACK)	(1)
011	17650-805-750	CAP, FUEL TANK	(NOT AVAILABLE) (1)
012	17670-883-000	FILTER, FUEL	(NOT AVAILABLE) 001
014	17670-880-000	FILTER, FUEL	(NOT AVAILABLE) (1)
014	17672-876-000	FILTER, FUEL	(NOT AVAILABLE) (1)
015	17672-880-000	FILTER, FUEL	001
015	17672-883-300	FILTER, FUEL	001
018	17631-329-003	GASKET, FUEL FILLER CAP (39X58X3)	(1)
018	17631-329-003	GASKET, FUEL FILLER CAP (39X58X3)	(3)
018	17673-703-030	GASKET, FUEL FILTER	(NOT AVAILABLE) (1)
019	17673-893-000	HOLDER, FUEL FILTER	(1)

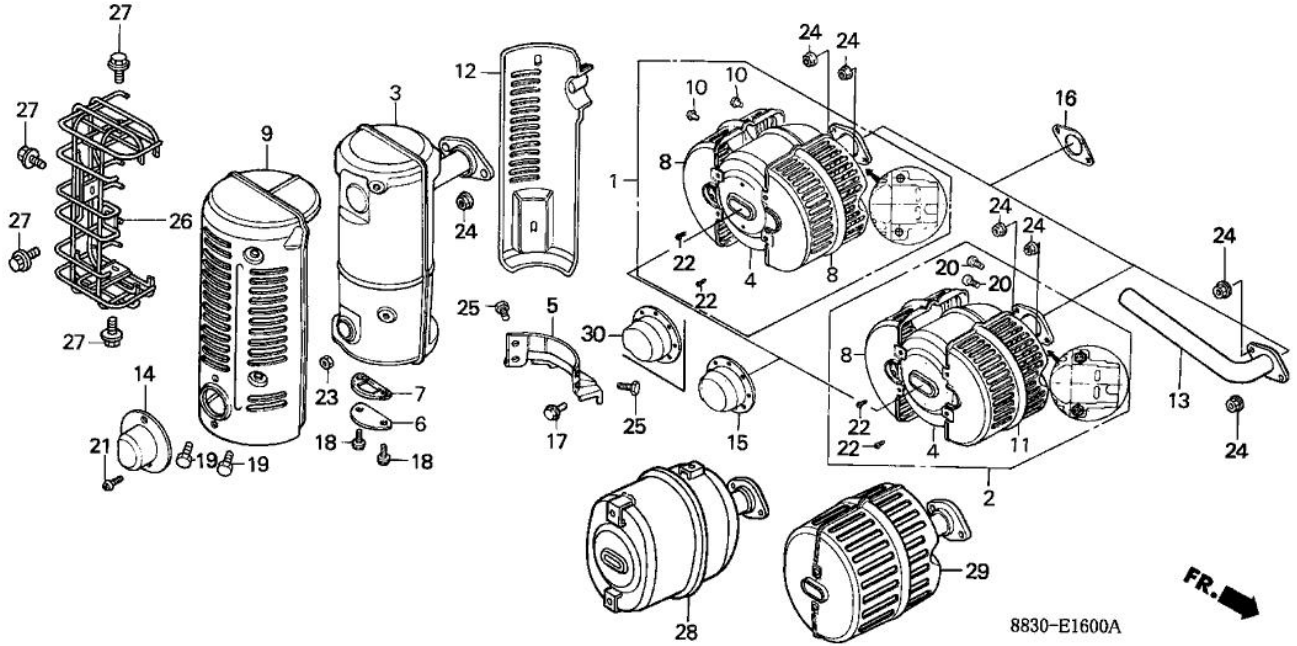
# TRU-POWER, INC.

<b>Model Name</b>	<b>G200</b>	<b>Product Line</b>	<b>GENERAL PURPOSE ENGINE</b>
<b>Mfg</b>		<b>Type</b>	<b>PEAF</b>
<b>Section</b>	<b>ENGINE</b>	<b>Illustration</b>	<b>FUEL TANK (1)</b>

Ref.	Part Number	Part Description	Qty.
020	17673-883-300	HOLDER, FUEL FILTER	001
020	17673-893-000	HOLDER, FUEL FILTER	001
021	17682-817-020	RUBBER, TANK CUSHION (NOT AVAILABLE)	(4)
023	94050-06080	NUT, FLANGE (6MM)	003
025	95001-45003-60M	BULK HOSE, FUEL (4.5X3000) OEM CUT SIZE: (4.5X70)	001
026	95002-02080	CLIP, TUBE (B8)	002

# TRU-POWER, INC.

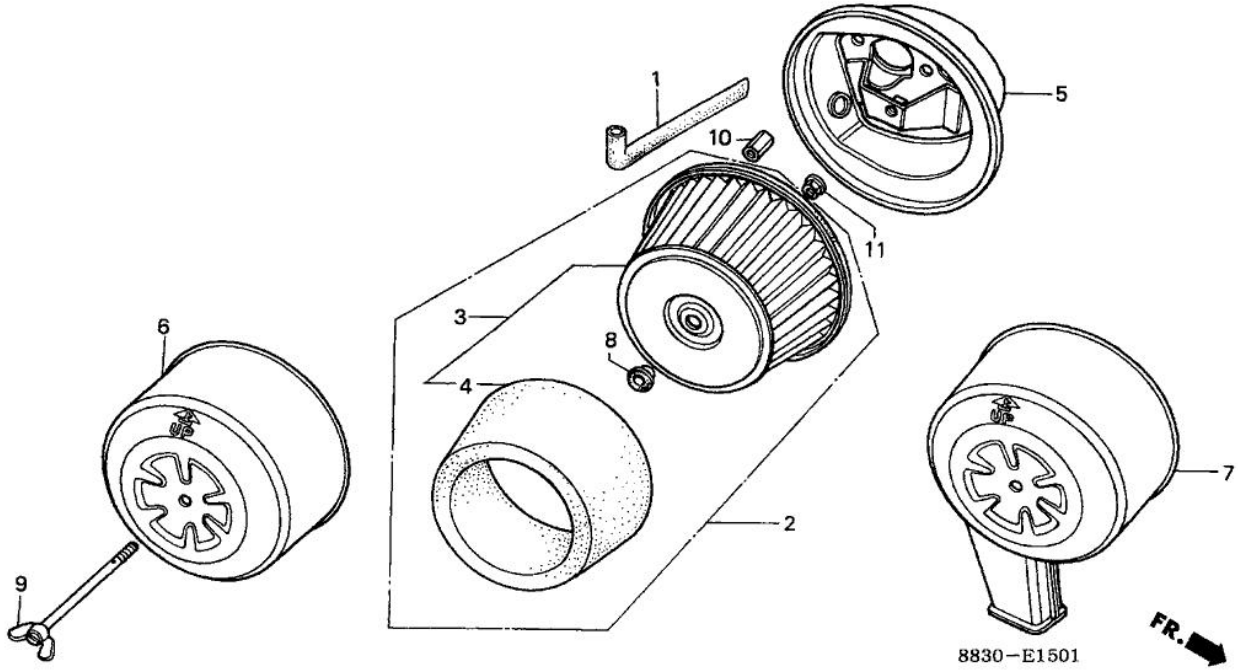
Model Name	G200	Product Line	GENERAL PURPOSE ENGINE
Mfg		Type	PEAF
Section	ENGINE	Illustration	MUFFLER (1)



Ref.	Part Number	Part Description	Qty.
001	18300-883-N00	MUFFLER ASSY. (CHROME PLATED)	001
002	18300-883-N00	MUFFLER ASSY. (CHROME PLATED)	001
003	18300-883-671	MUFFLER (MUFFLER LID)	(1)
004	18310-883-N00	MUFFLER COMP.	001
005	18315-883-672	STAY, MUFFLER	(1)
006	18316-883-670	LID, MUFFLER	(1)
007	18317-883-306	GASKET, MUFF RID	(1)
008	18320-883-020	PROTECTOR, L. MUFFLER	001
008	18320-883-020	PROTECTOR, L. MUFFLER	002
009	18320-883-670	PROTECTOR A, MUFFLER	(1)
010	18321-883-300	RIVET (4X5)	002
010	18321-883-300	RIVET (4X5)	002
011	18325-883-000	PROTECTOR, R. MUFFLER	(1)
012	18325-883-671	PROTECTOR B, MUFFLER	(1)
014	18331-883-670	DEFLECTOR, EX. MUFFLER	(1)
015	18331-883-810	CAP, MUFFLER	001
016	18381-883-800	GASKET, MUFFLER	001
017	90031-883-000	BOLT, FLANGE (8X16)	(1)
018	92101-06012-0B	BOLT, HEX. (6X12)	(2)
019	93101-06006-0B	BOLT, HEX. (6X6)	(5)
020	93500-04006-0B	SCREW, PAN (4X6)	(2)
022	90183-671-003	SCREW, TAPPING (4X8)	002
023	94001-04080-0S	NUT, HEX. (4MM)	(2)
024	94050-08080	NUT, FLANGE (8MM)	002
025	95700-06010-08	BOLT, FLANGE (6X10)	(2)
025	95701-06010-08	BOLT, FLANGE (6X10)	(2)

# TRU-POWER, INC.

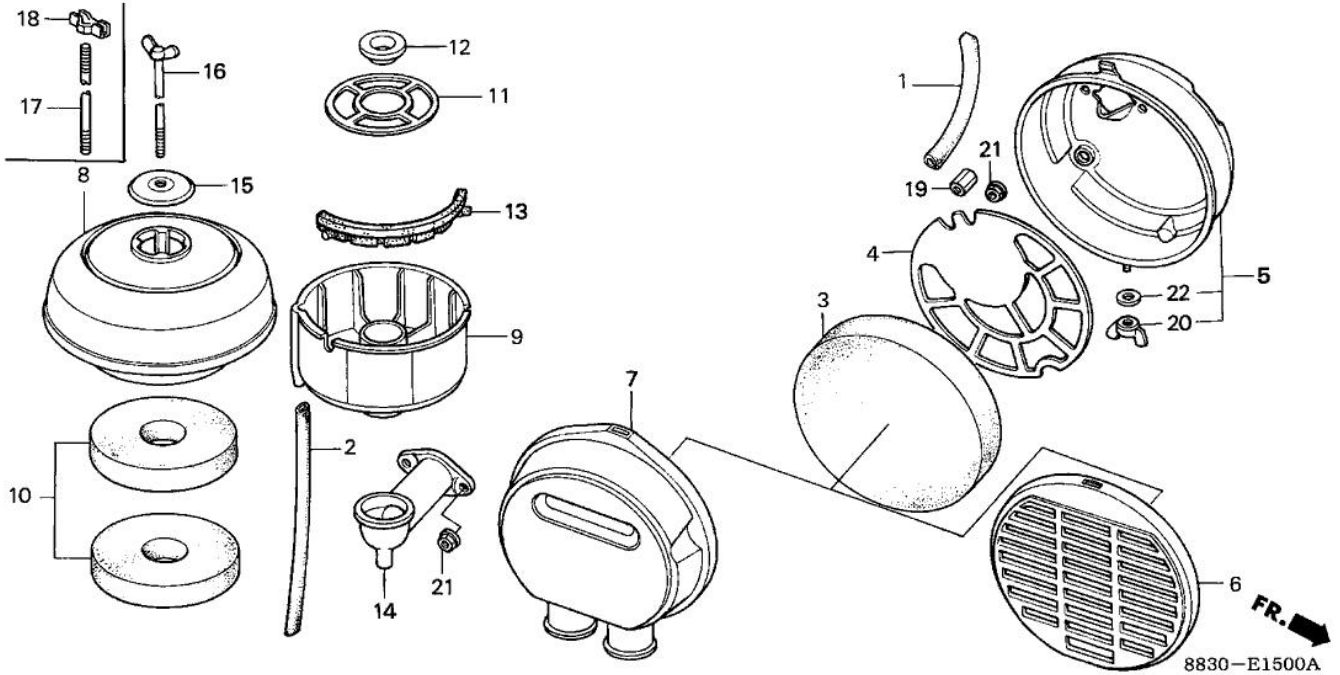
Model Name	G200	Product Line	GENERAL PURPOSE ENGINE
Mfg		Type	PEAF
Section	ENGINE	Illustration	AIR CLEANER (2)



Ref.	Part Number	Part Description	Qty.
002	17210-883-505	ELEMENT, AIR CLEANER	(1)
003	17210-883-505	ELEMENT, AIR CLEANER	(1)
004	17218-883-901	ELEMENT B, AIR CLEANER	(1)
		(NOT AVAILABLE)	

# TRU-POWER, INC.

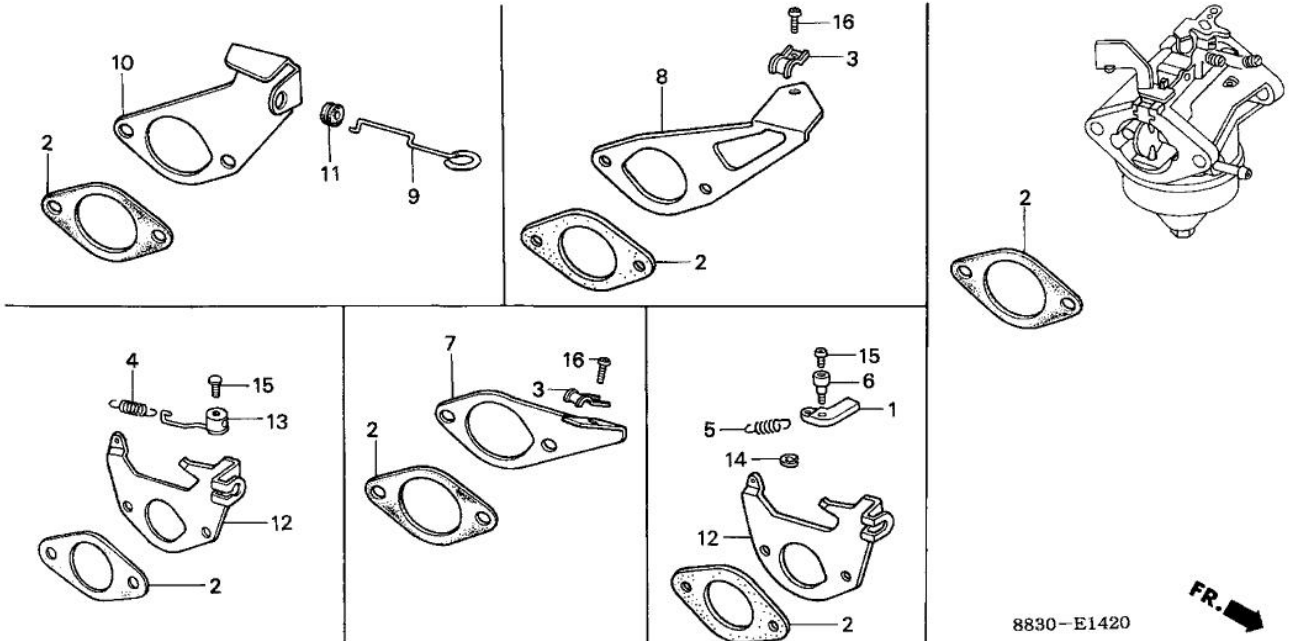
Model Name	G200	Product Line	GENERAL PURPOSE ENGINE
Mfg		Type	PEAF
Section	ENGINE	Illustration	AIR CLEANER (1)



Ref.	Part Number	Part Description	Qty.
002	15721-883-611	TUBE, BREATHER	001
007	17231-883-631	COVER, AIR CLEANER	(1)
007	17231-883-632	COVER, AIR CLEANER	(NOT AVAILABLE) (1)
008	17401-865-000	BODY, CLEANER	001
009	17402-841-000	PAN, AIR CLEANER OIL	(NOT AVAILABLE) 001
010	17403-841-000	ELEMENT, AIR CLEANER	001
011	17404-841-000	GRID, AIR CLEANER	001
012	17407-883-610	COLLAR, AIR CLEANER	(NOT AVAILABLE) 001
014	17411-883-611	ELBOW, AIR CLEANER	001
015	17421-841-000	CAP, AIR CLEANER	001
016	17425-865-780	BOLT, AIR CLEANER	001
021	94050-06080	NUT, FLANGE (6MM)	002

# TRU-POWER, INC.

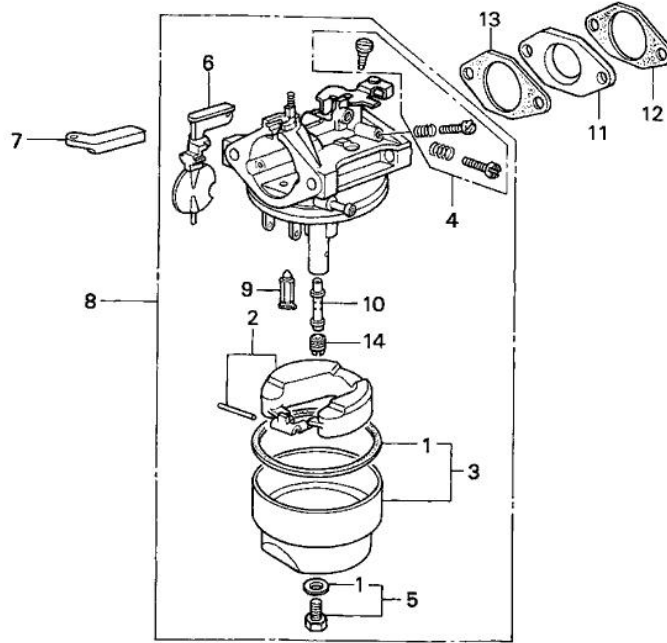
Model Name	G200	Product Line	GENERAL PURPOSE ENGINE
Mfg		Type	PEAF
Section	ENGINE	Illustration	CHOKE CONTROL STAY



Ref.	Part Number	Part Description	Qty.
002	16269-883-800	GASKET, AIR CLEANER	001
009	16611-883-610	ROD, CHOKE CONTROL	001
010	16612-883-610	STAY, CHOKE CONTROL	001
011	16613-883-610	GROMMET, CHOKE ROD	001

# TRU-POWER, INC.

<b>Model Name</b>	<b>G200</b>	<b>Product Line</b>	<b>GENERAL PURPOSE ENGINE</b>
<b>Mfg</b>		<b>Type</b>	<b>PEAF</b>
<b>Section</b>	<b>ENGINE</b>	<b>Illustration</b>	<b>CARBURETOR (3)</b>



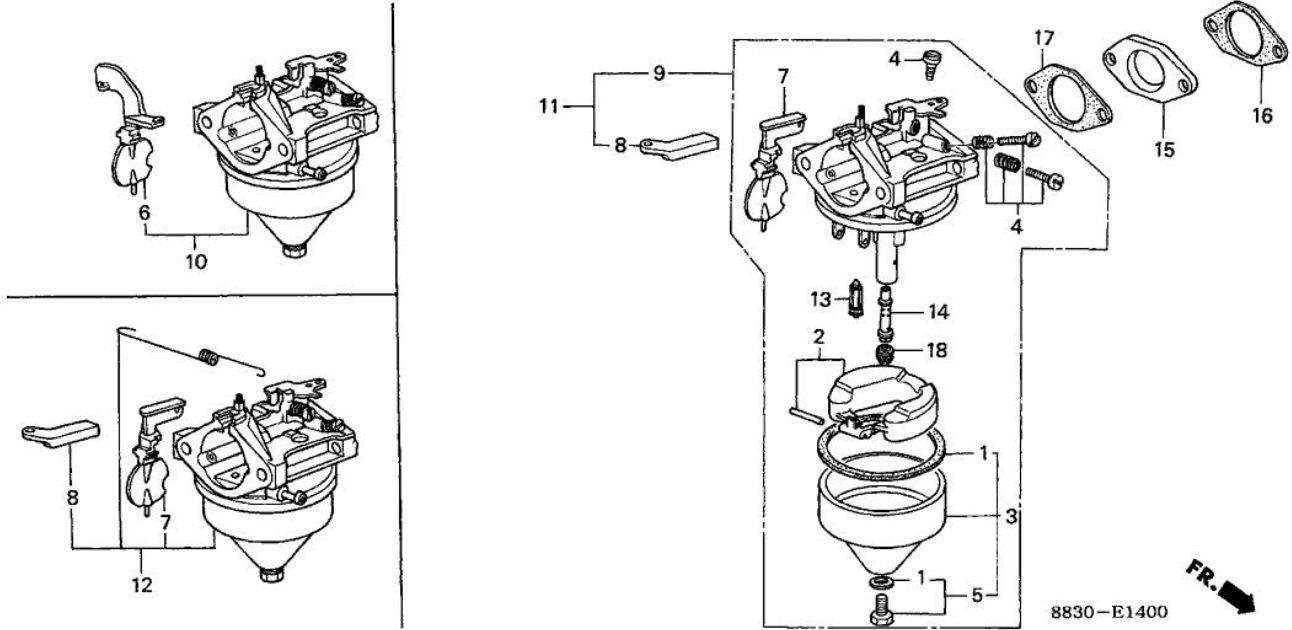
8830-E1402



Ref.	Part Number	Part Description	Qty.
001	16010-883-015	GASKET SET	001
002	16013-883-005	FLOAT SET (CARBURETOR NO.)	001
003	16015-896-701	CHAMBER SET, FLOAT (CARBURETOR NO.)	(NOT AVAILABLE) 001
004	16016-883-661	SCREW SET A (CARBURETOR NO.)	001
004	16016-ZA1-701	SCREW SET A (CARBURETOR NO.)	(1)
005	16028-883-005	SCREW SET B (CARBURETOR NO.)	001
005	16028-ZE0-005	SCREW SET	001
005	16028-ZK7-S91	SCREW SET	001
006	16044-883-015	CHOKE SET (CARBURETOR NO.)	001
007	16046-883-005	ARM, CHOKE LEVER	001
008	16100-883-105	CARBURETOR ASSY.	(1)
008	16100-883-105	CARBURETOR ASSY.	001
009	16155-883-005	VALVE, FLOAT (CARBURETOR NO.)	001
010	16166-883-005	NOZZLE, MAIN (CARBURETOR NO.)	001
011	16211-883-000	INSULATOR, CARBURETOR	001
012	16212-883-800	GASKET, INSULATOR	001
013	16221-883-306	GASKET, CARBURETOR	001
013	16221-887-800	GASKET, CARBURETOR	001
014	99101-124-0650	JET, MAIN (#65) (CARBURETOR NO.)	(1)
014	99101-124-0680	JET, MAIN (#68) (CARBURETOR NO.)	(1)
014	99101-124-0700	JET, MAIN (#70) (CARBURETOR NO.)	(1)
014	99101-124-0720	JET, MAIN (#72) (CARBURETOR NO.)	001

# TRU-POWER, INC.

<b>Model Name</b>	<b>G200</b>	<b>Product Line</b>	<b>GENERAL PURPOSE ENGINE</b>
<b>Mfg</b>		<b>Type</b>	<b>PEAF</b>
<b>Section</b>	<b>ENGINE</b>	<b>Illustration</b>	<b>CARBURETOR (1)</b>

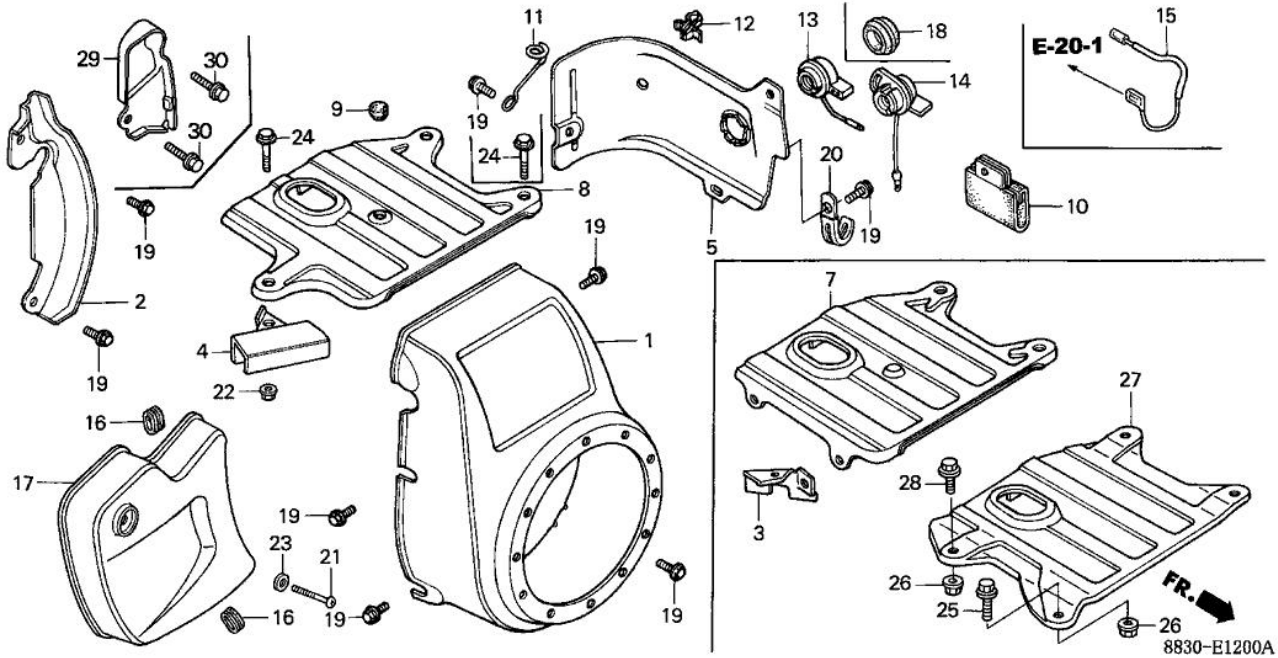


Ref.	Part Number	Part Description	Qty.
001	16010-883-015	GASKET SET	001
002	16013-883-005	FLOAT SET (CARBURETOR NO.)	001
003	16015-896-005	CHAMBER SET, FLOAT (CARBURETOR NO.)	(NOT AVAILABLE) 001
004	16016-148-610	SCREW SET A (CARBURETOR NO.)	(NOT AVAILABLE) 001
004	16016-148-611	SCREW SET A (CARBURETOR NO.)	001
005	16028-883-005	SCREW SET B (CARBURETOR NO.)	001
007	16044-883-015	CHOKE SET (CARBURETOR NO.)	001
008	16046-883-005	ARM, CHOKE LEVER (CARBURETOR NO.)	001
009	16100-883-105	CARBURETOR ASSY.	001
009	16100-883-355	CARBURETOR ASSY. (BB30A D)	001
010	16100-883-355	CARBURETOR ASSY. (BB30A D)	001
011	16100-883-355	CARBURETOR ASSY. (BB30A D)	001
012	16100-883-355	CARBURETOR ASSY. (BB30A D)	001
012	16100-883-355	CARBURETOR ASSY. (BB30A D)	001
013	16155-883-005	VALVE, FLOAT (CARBURETOR NO.)	001
014	16166-883-005	NOZZLE, MAIN (CARBURETOR NO.)	001
015	16211-883-000	INSULATOR, CARBURETOR	001
016	16212-883-800	GASKET, INSULATOR	001
017	16221-883-306	GASKET, CARBURETOR	001
017	16221-887-800	GASKET, CARBURETOR	001
018	99101-124-0650	JET, MAIN (#65) (CARBURETOR NO.)	(1)
018	99101-124-0680	JET, MAIN (#68) (CARBURETOR NO.)	(1)
018	99101-124-0700	JET, MAIN (#70) (CARBURETOR NO.)	(1)
018	99101-124-0720	JET, MAIN (#72) (CARBURETOR NO.)	001



# TRU-POWER, INC.

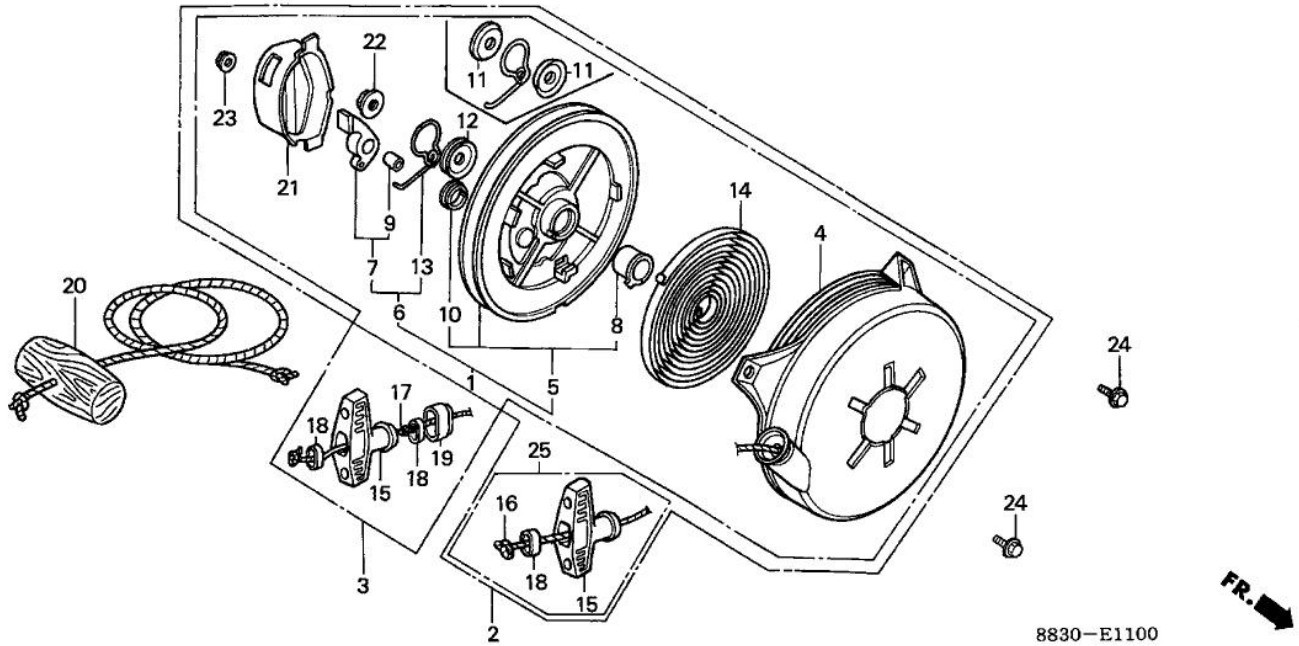
Model Name	G200	Product Line	GENERAL PURPOSE ENGINE
Mfg		Type	PEAF
Section	ENGINE	Illustration	FAN COVER



Ref.	Part Number	Part Description	Qty.
001	19610-883-R90ZB	COVER, FAN *R280*(POWER RED)	001
002	19611-883-000	PLATE, SIDE	001
005	19631-883-010	SHROUD	001
008	19641-883-020	COVER, TOP	001
009	19643-883-010	GROMMET, TOP COVER	001
012	30701-883-000	CLIP, IGNITION WIRE (8MM)	001
013	36100-883-812	SWITCH ASSY., ENGINE STOP	001
013	36100-ZE1-015	SWITCH ASSY., ENGINE STOP	(1)
013	36100-ZE1-015	SWITCH ASSY., ENGINE STOP	001
019	90013-883-000	BOLT, FLANGE (6X12) (CT200)	008
020	91405-671-000	CLIP, WIRE	001

# TRU-POWER, INC.

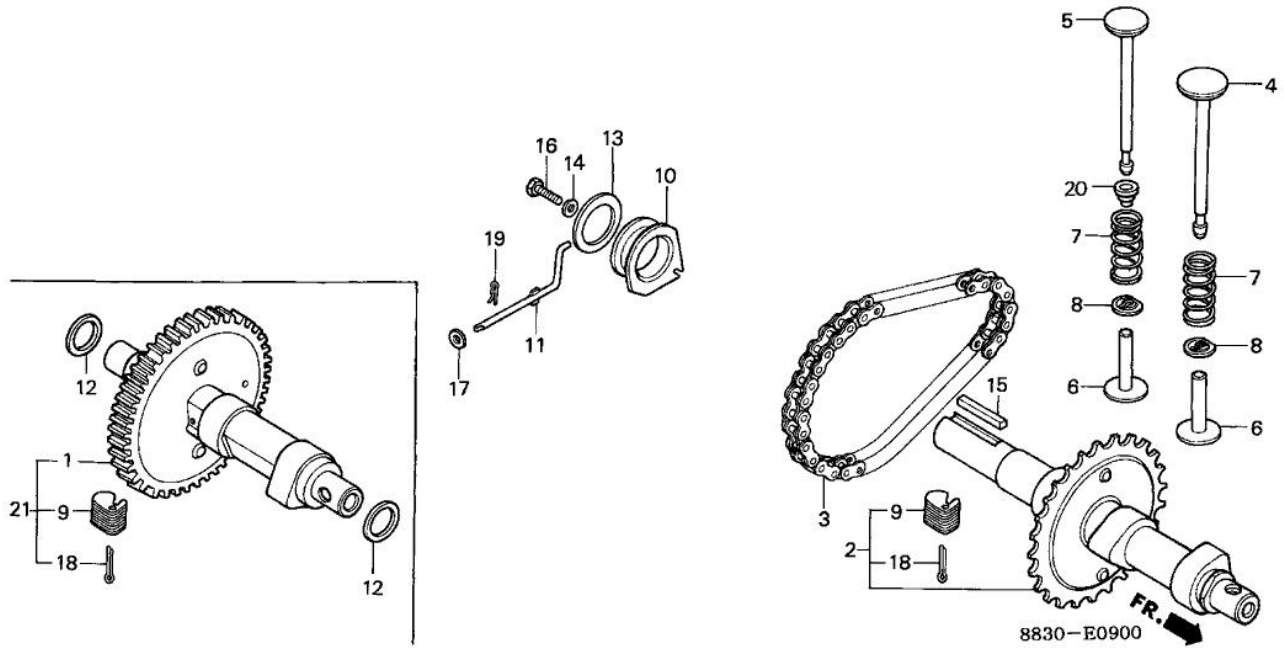
<b>Model Name</b>	<b>G200</b>	<b>Product Line</b>	<b>GENERAL PURPOSE ENGINE</b>
<b>Mfg</b>		<b>Type</b>	<b>PEAF</b>
<b>Section</b>	<b>ENGINE</b>	<b>Illustration</b>	<b>RECOIL STARTER (1)</b>



Ref.	Part Number	Part Description	Qty.
001	28040-883-000	REEL KIT, STARTER (NOT AVAILABLE)	(1)
002	28400-883-040ZC	STARTER, RECOIL *R8*	001
004	28410-883-020H	CASE, STARTER	001
004	28410-883-030ZB	CASE, STARTER *R8*(BRIGHT RED)	001
005	28420-883-010	REEL, STARTER	001
005	28420-889-010	REEL, STARTER	001
006	28421-883-315	RATCHET KIT	001
007	28422-883-020	RATCHET	001
008	28424-883-000	BOSS, REEL	(1)
008	28424-883-000	BOSS, REEL	001
009	28425-883-300	BUSH, RATCHET (NOT AVAILABLE)	(1)
009	28425-889-300	BUSH, RATCHET	001
010	28427-883-300	BUSH, REEL STARTER	001
011	28431-883-000	PLATE, FRICTION (NOT AVAILABLE)	(2)
012	28432-883-000	PLATE, FRICTION	001
013	28441-883-020	SPRING, FRICTION	001
014	28442-883-000	SPRING, RETURN	001
015	28461-883-000	GRIP, STARTER	001
016	28462-ZE1-003	ROPE, RECOIL STARTER	001
018	28463-883-000	SUPPORT, GRIP	001
020	28470-816-000	ROPE, STARTER	(1)
021	28474-883-010	COVER, STARTER REEL	(1)
021	28474-883-010	COVER, STARTER REEL	001
022	90115-659-003	NUT, SELF-LOCK (8MM) (CLINCH)	001
023	94050-05000	NUT, FLANGE (5MM)	001
024	95701-06008-00	BOLT, FLANGE (6X8)	003

# TRU-POWER, INC.

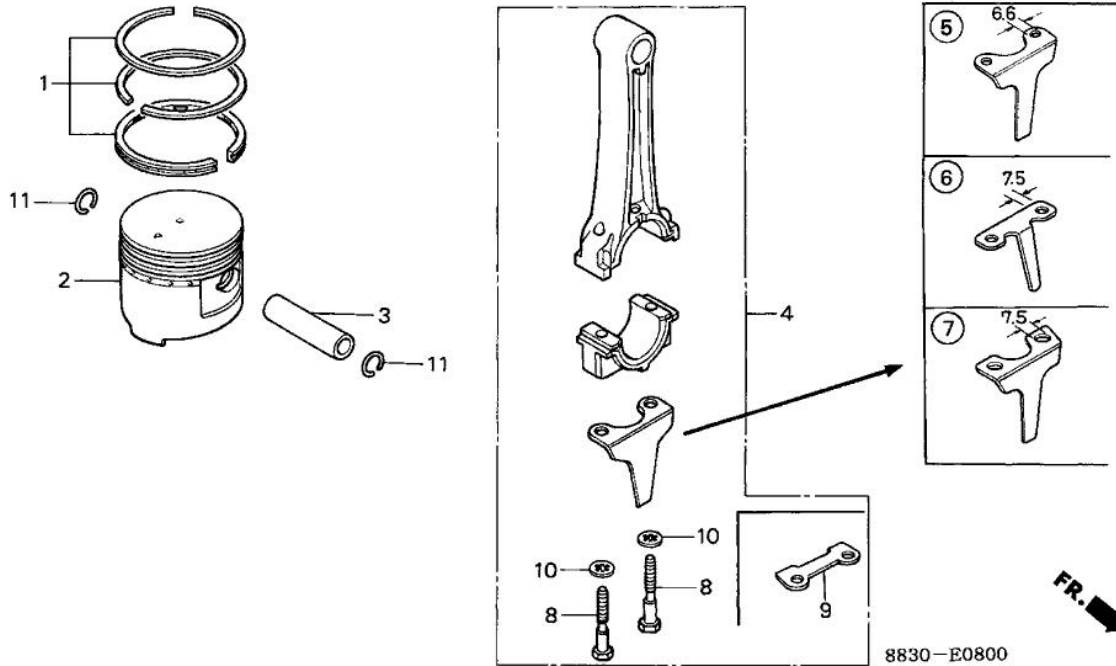
<b>Model Name</b>	<b>G200</b>	<b>Product Line</b>	<b>GENERAL PURPOSE ENGINE</b>
<b>Mfg</b>		<b>Type</b>	<b>PEAF</b>
<b>Section</b>	<b>ENGINE</b>	<b>Illustration</b>	<b>CAMSHAFT</b>



Ref.	Part Number	Part Description	Qty.
004	14711-883-000	VALVE, IN.	001
005	14721-883-000	VALVE, EX.	001
006	14736-883-010	LIFTER, VALVE (39.6MM)	(2)
006	14746-883-010	LIFTER, VALVE (39.9MM)	(2)
007	14751-883-000	SPRING, VALVE	002
008	14771-883-305	RETAINER, VALVE SPRING	002
009	16511-883-300	WEIGHT, GOVERNOR	014
010	16531-883-010	SLIDER, GOVERNOR	001
011	16541-883-000	SHAFT, GOVERNOR ARM	001
012	90452-883-000	WASHER, THRUST (18MM) (HELICAL GEAR)	002
017	94101-05000	WASHER, PLAIN (5MM)	001
017	94251-08000	PIN, LOCK (8MM)	001
018	94201-30250	PIN, SPLIT (3.0X25)	002
018	94201-30450	PIN, SPLIT (3.0X45)	002
021	14110-883-010	CAMSHAFT ASSY.	001
021	14110-883-020	CAMSHAFT ASSY.	001

# TRU-POWER, INC.

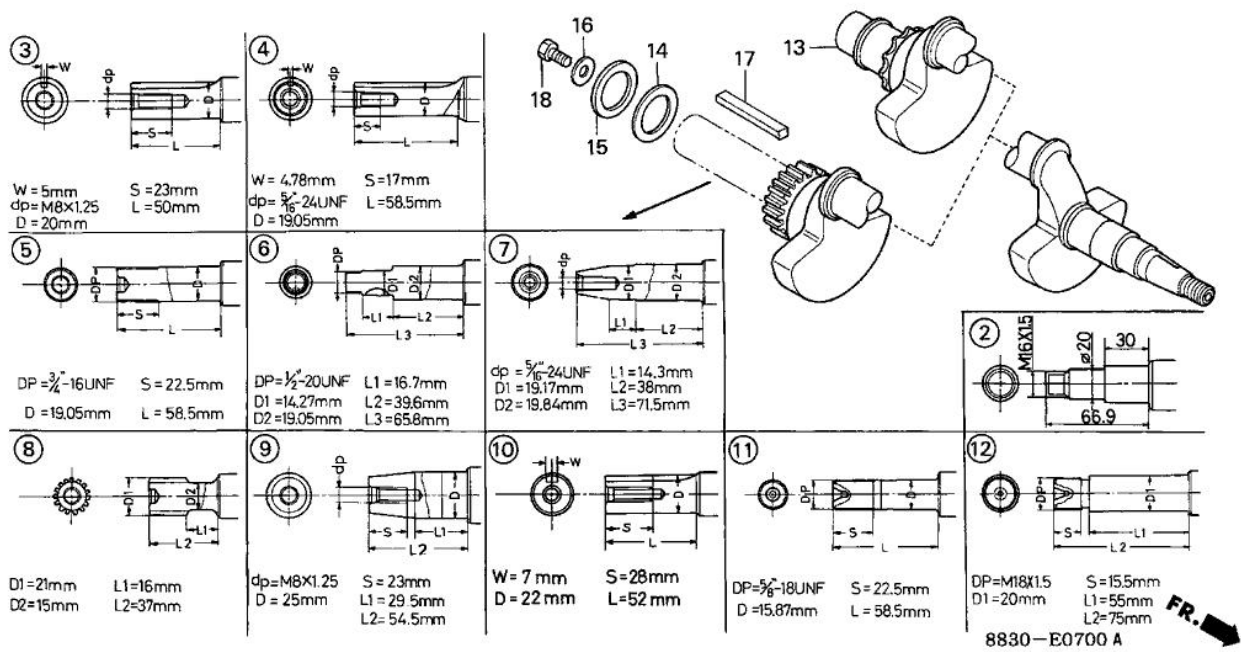
<b>Model Name</b>	<b>G200</b>	<b>Product Line</b>	<b>GENERAL PURPOSE ENGINE</b>
<b>Mfg</b>		<b>Type</b>	<b>PEAF</b>
<b>Section</b>	<b>ENGINE</b>	<b>Illustration</b>	<b>PISTON</b>



Ref.	Part Number	Part Description	Qty.
001	13010-894-003	RING SET, PISTON (STD) (TEIKOKU)	001
001	13010-YA0-004	RING SET, PISTON (STD) (NIPPON)	001
001	13011-YA0-004	RING SET, PISTON (0.25) (NIPPON)	(1)
001	13012-YA0-004	RING SET, PISTON (0.50) (NIPPON)	(1)
001	13013-894-003	RING SET, PISTON (0.75) (TEIKOKU)	(1)
001	13013-YA0-004	RING SET, PISTON (0.75) (NIPPON)	(1)
002	13101-883-003	PISTON (STD)	001
002	13102-883-003	PISTON (0.25)	(1)
002	13103-883-003	PISTON (0.50)	(1)
002	13104-883-003	PISTON (0.75)	(1)
003	13111-883-000	PIN, PISTON	001
004	13200-883-060	ROD ASSY., CONNECTING	001
004	13200-883-060	ROD ASSY., CONNECTING	001
004	13200-883-305	ROD ASSY., CONNECTING (UNDER SIZE)	(1)
004	13200-883-315	ROD ASSY., CONNECTING (UNDER SIZE)	(1)
004	13200-883-325	ROD ASSY., CONNECTING (UNDER SIZE)	(1)
004	13200-883-345	ROD ASSY., CONNECTING (UNDER SIZE)	(1)
004	13200-883-438	ROD ASSY., CONNECTING (UNDER SIZE)	(1)
005	13281-883-000	DIPPER, CONNECTING ROD	001
005	13281-883-010	DIPPER, CONNECTING ROD	(NOT AVAILABLE)
006	13281-883-030	DIPPER, CONNECTING ROD	001
007	13281-883-328	DIPPER, CONNECTING ROD	(NOT AVAILABLE)
008	90001-883-000	BOLT, CONNECTING ROD (6MM)	002
008	90001-883-010	BOLT, CONNECTING ROD (6MM)	(NOT AVAILABLE)
008	90001-883-020	BOLT, CONNECTING ROD (7MM)	002
009	90431-883-000	WASHER B, CONNECTING ROD	001
010	90432-883-000	WASHER, LOCK (6MM)	(N/A: SEE ASSEMBLY)
010	90432-889-003	WASHER, LOCK (7MM)	002
011	90551-883-000	CLIP, PISTON PIN (15MM)	002
011	94601-15000	CLIP, PISTON PIN (15MM)	002

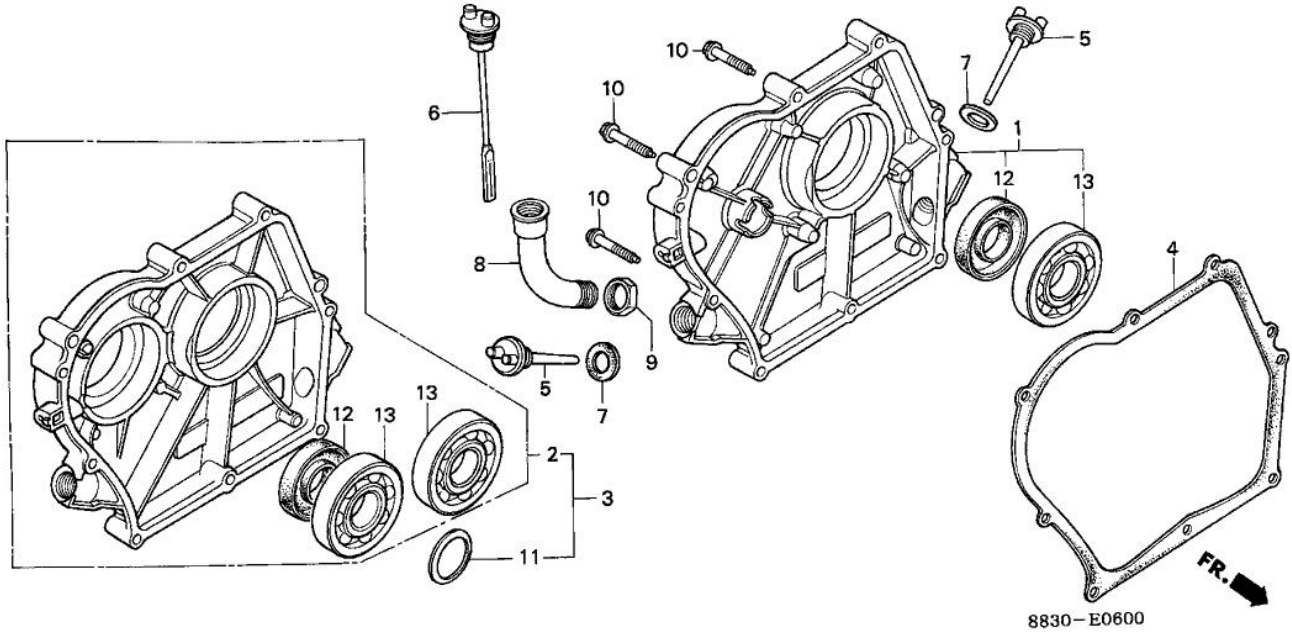
# TRU-POWER, INC.

Model Name	G200	Product Line	GENERAL PURPOSE ENGINE
Mfg		Type	PEAF
Section	ENGINE	Illustration	CRANKSHAFT



Ref.	Part Number	Part Description	Qty.
011	13310-883-960	CRANKSHAFT	001
014	90455-883-000	WASHER (25X33X0.1)	AR
		(NOT AVAILABLE)	

<b>Model Name</b>	<b>G200</b>	<b>Product Line</b>	<b>GENERAL PURPOSE ENGINE</b>
<b>Mfg</b>		<b>Type</b>	<b>PEAF</b>
<b>Section</b>	<b>ENGINE</b>	<b>Illustration</b>	<b>CRANKCASE COVER (1)</b>



Ref.	Part Number	Part Description	Qty.
001	11300-883-710	COVER ASSY., CRANKCASE	001
004	11381-883-800	GASKET, CASE COVER	001
005	15620-883-010	CAP, OIL (YELLOW)	002
006	15620-883-630	CAP, OIL (YELLOW)	(1)
008	15632-883-630	PIPE, OIL	(1)
009	90011-883-630	NUT, OIL FILLER	(1)
010	90017-883-000	BOLT, FLANGE (6X32) (CT200)	008
012	91202-883-005	OIL SEAL (25X41X6)	001
013	96100-62050-00	BEARING, RADIAL BALL (6205)	001