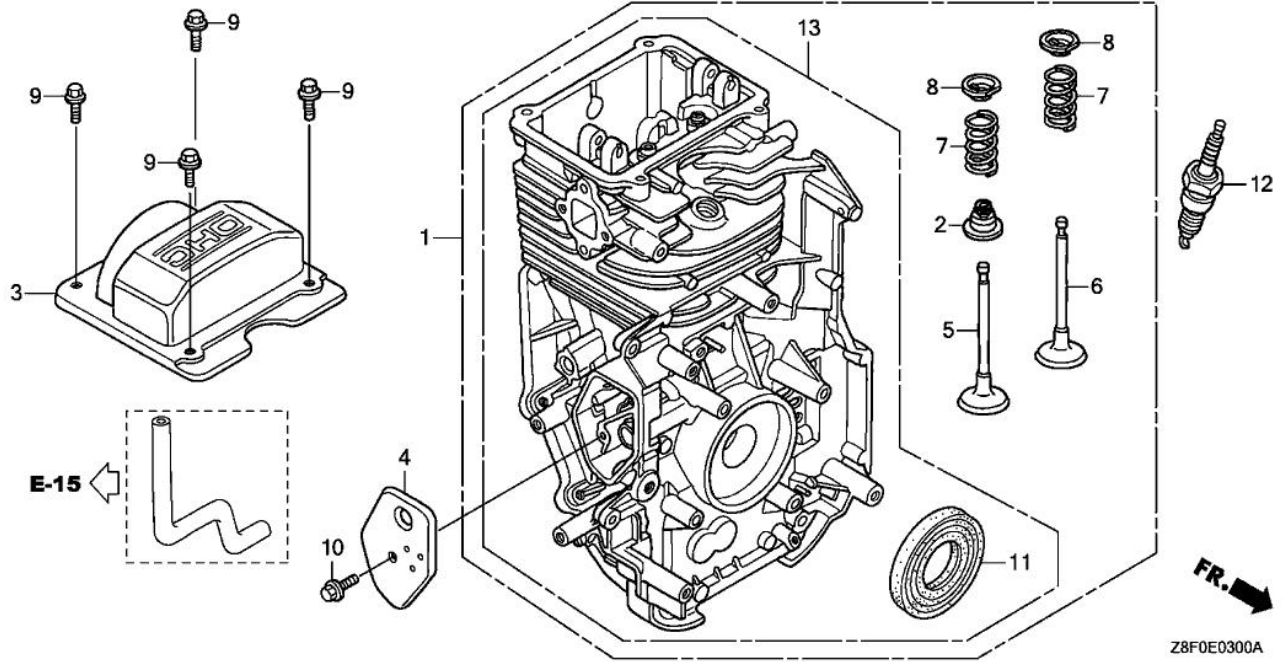
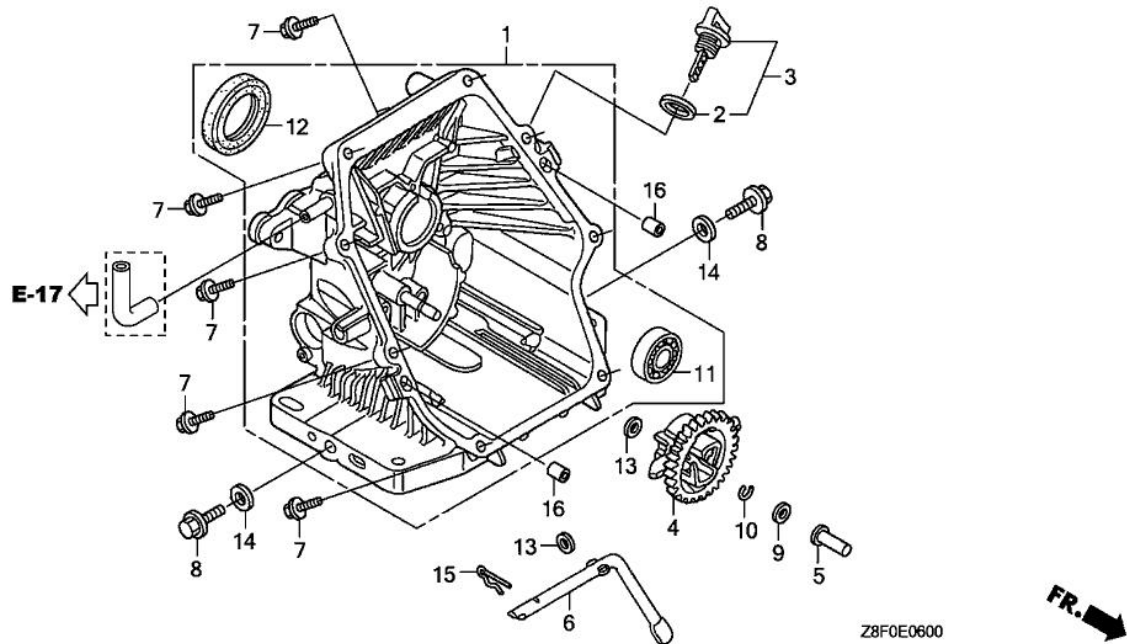


# TRU-POWER, INC.

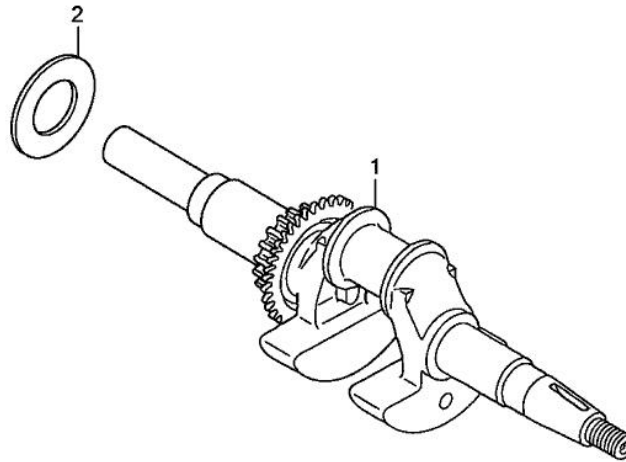
<b>Model Name</b>	<b>GC160LE</b>	<b>Product Line</b>	<b>GENERAL PURPOSE ENGINE</b>
<b>Mfg</b>	<b>ITA</b>	<b>Type</b>	<b>VXA</b>
<b>Section</b>	<b>ENGINE</b>	<b>Illustration</b>	<b>CYLINDER BARREL</b>



Ref.	Part Number	Part Description	Qty.
001	12000-Z0L-505	BARREL COMP,CYLN	001
002	12209-ZM0-003	SEAL, VALVE STEM	001
003	12310-Z0J-000	COVER, CYLINDER HEAD	001
003	12310-Z8A-000	COVER, CYLINDER HEAD	001
004	12355-ZL8-000	COVER, BREATHER (BREATHER VALVE ASSY.)	001
005	14711-ZL8-000	VALVE, IN. (TECHNOSTAR)	001
006	14721-ZL8-000	VALVE, EX. (L8E)	001
006	14721-Z8B-000	VALVE, EX. (C8E)	001
007	14751-ZL8-000	SPRING, VALVE	002
008	14771-ZE1-000	RETAINER, IN. VALVE SPRING	002
009	90013-883-000	BOLT, FLANGE (6X12) (CT200)	004
010	90014-952-000	BOLT, FLANGE (6X14) (CT200)	001
011	91201-ZL8-003	OIL SEAL (25.4X62X6)	001
012	98079-56846	SPARK PLUG (BPR6ES) (NGK)	001
013	12000-Z1L-405	CYLINDER ASSY.	001



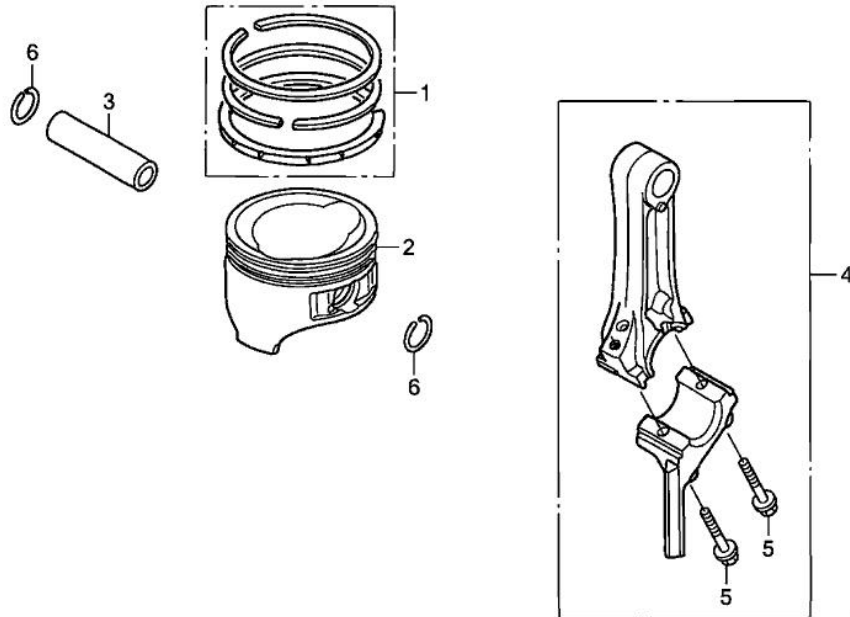
Ref.	Part Number	Part Description	Qty.
001	11300-ZL8-406	COVER ASSY., CRANKCASE	001
002	15625-Z2L-801	GASKET, OIL FILLER CAP	001
003	15650-ZL8-013	GAUGE ASSY., OIL LEVEL	001
004	16510-ZL8-000	GOVERNOR ASSY.	001
005	16531-ZE1-000	SLIDER, GOVERNOR	001
006	16541-ZL8-000	SHAFT, GOVERNOR ARM	001
007	90121-952-000	BOLT, FLANGE (6X25) (CT200)	008
007	90026-Z1L-000	BOLT, FLANGE (6X26)	008
008	90131-896-650	BOLT, DRAIN PLUG (12X15)	002
009	90451-ZE1-000	WASHER, THRUST (6MM)	001
010	90602-ZE1-000	CLIP, GOVERNOR HOLDER	001
011	91001-ZL8-003	BEARING, RADIAL BALL (62/28)	001
012	91202-ZL8-003	OIL SEAL (28X41.25X6)	001
013	94101-06800	WASHER, PLAIN (6MM)	002
014	94109-12000	WASHER, DRAIN PLUG (12MM)	002
015	94251-08000	PIN, LOCK (8MM)	001
016	94301-08200	PIN, DOWEL (8X20)	002



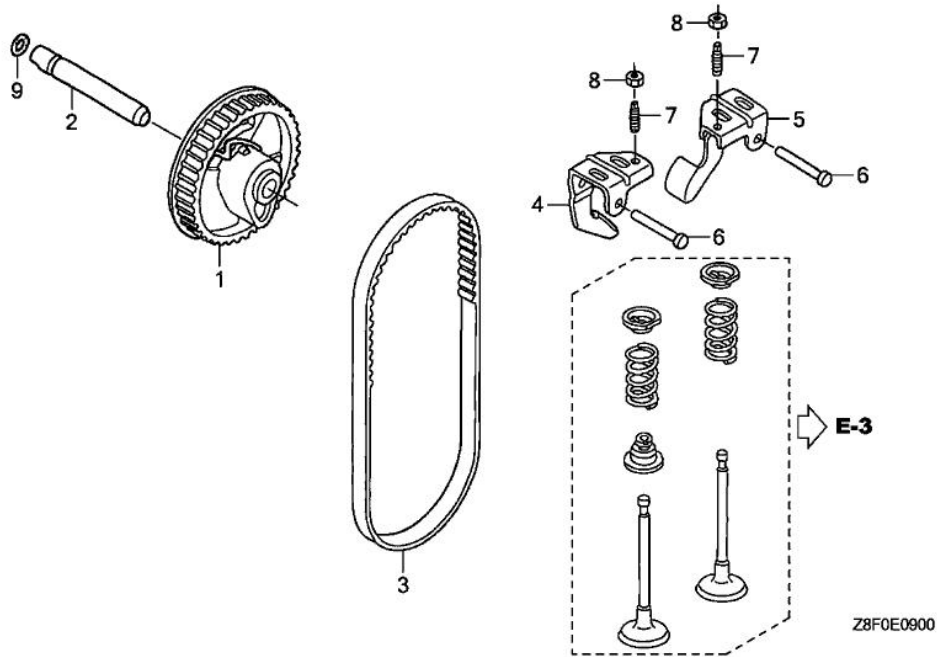
Z8F0E0700



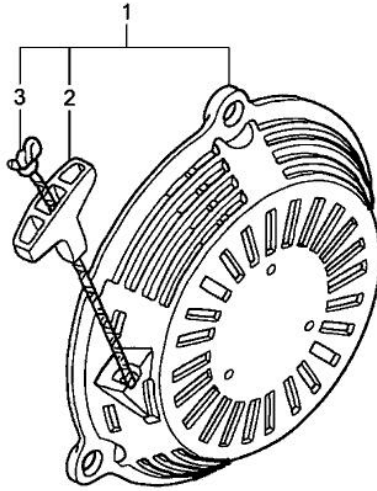
Ref.	Part Number	Part Description	Qty.
001	13310-ZL8-671	CRANKSHAFT	001
001	06131-Z8A-W30	CRANKSHAFT KIT	001
002	90402-ZL8-000	WASHER, THRUST	001



Ref.	Part Number	Part Description	Qty.
001	13010-Z0L-014	RING SET, PISTON (STD) (TEIKOKU)	001
002	13101-Z8B-820	PISTON	001
003	13111-ZE0-000	PIN, PISTON	001
003	13111-Z1L-000	PIN, PISTON	001
004	13200-ZL8-000	ROD ASSY., CONNECTING	001
005	90001-ZE1-000	BOLT, CONNECTING ROD	002
006	90551-ZE0-000	CLIP, PISTON PIN (13MM)	002



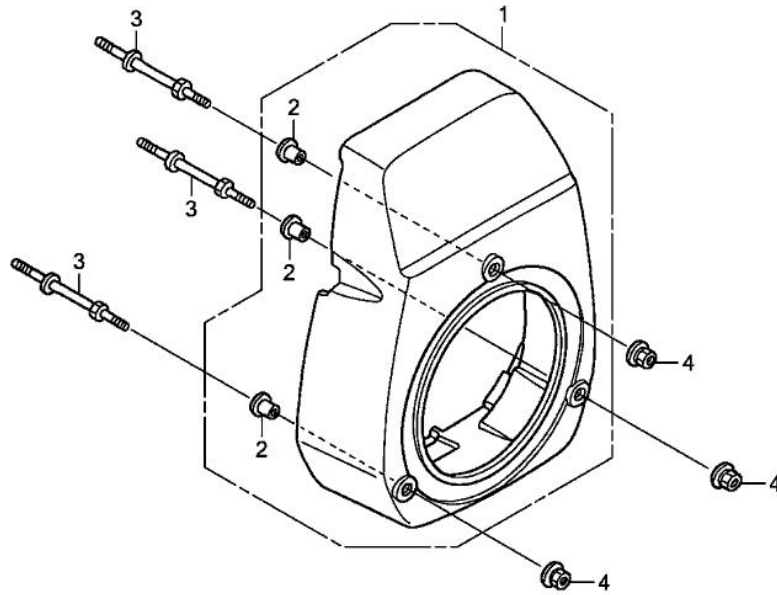
Ref.	Part Number	Part Description	Qty.
001	14320-ZL8-010	PULLEY, CAMSHAFT	001
002	14324-ZL8-000	SHAFT, CAM PULLEY	001
003	14400-ZL8-013	BELT, TIMING (84HU7 G-200)	001
004	14431-Z0J-000	ARM, IN. VALVE ROCKER	001
005	14441-Z0J-000	ARM, EX. VALVE ROCKER	001
006	14461-ZL8-000	SHAFT, ROCKER ARM	002
007	90012-333-000	SCREW, TAPPET ADJUSTING	002
008	90206-001-000	NUT, TAPPET ADJUSTING	002
009	91301-ZM0-V31	O-RING (6.8X1.9) (ARAI)	001



Z8F0E1100

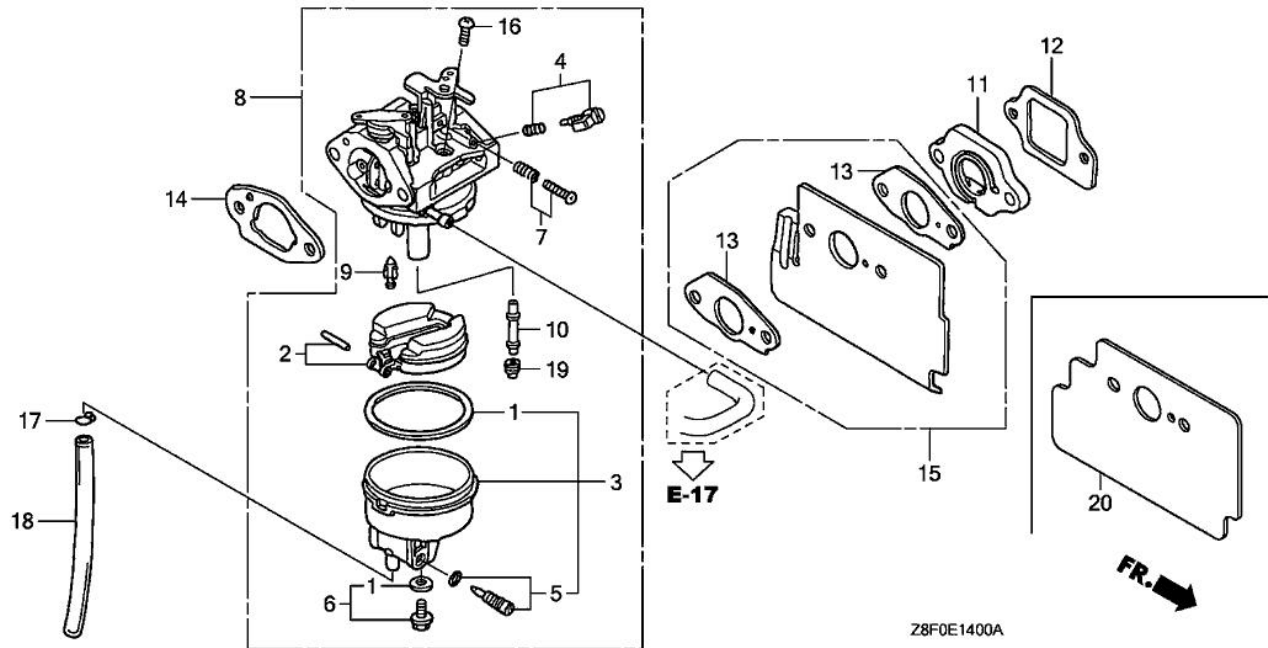


Ref.	Part Number	Part Description	Qty.
001	28400-ZL8-023ZA	STARTER ASSY., RECOIL *NH1*(BLACK)	001
001	28400-ZL8-023ZC	STARTER ASSY., RECOIL *R280*(POWER RED)	001
002	28461-ZL8-003	GRIP, STARTER	001
003	28462-ZL8-003	ROPE, RECOIL STARTER	001



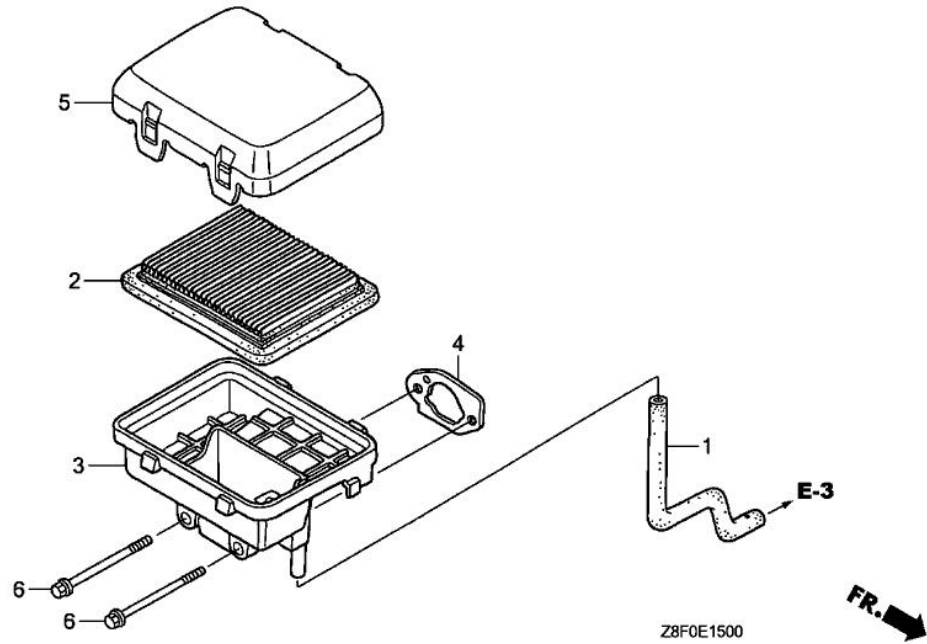
Z8F0E1200

Ref.	Part Number	Part Description	Qty.
001	19611-ZL8-000ZA	COVER, FAN *NH1*(BLACK)	001
001	19611-ZL8-000ZC	COVER, FAN *R280*(POWER RED)	001
002	19619-ZL8-300	COLLAR, FAN COVER	003
003	90043-ZL8-000	BOLT, STUD (H=42.5MM)	003
003	90041-Z1L-000	BOLT, STUD	003
004	90201-ZM0-000	NUT, FLANGE (6MM)	003

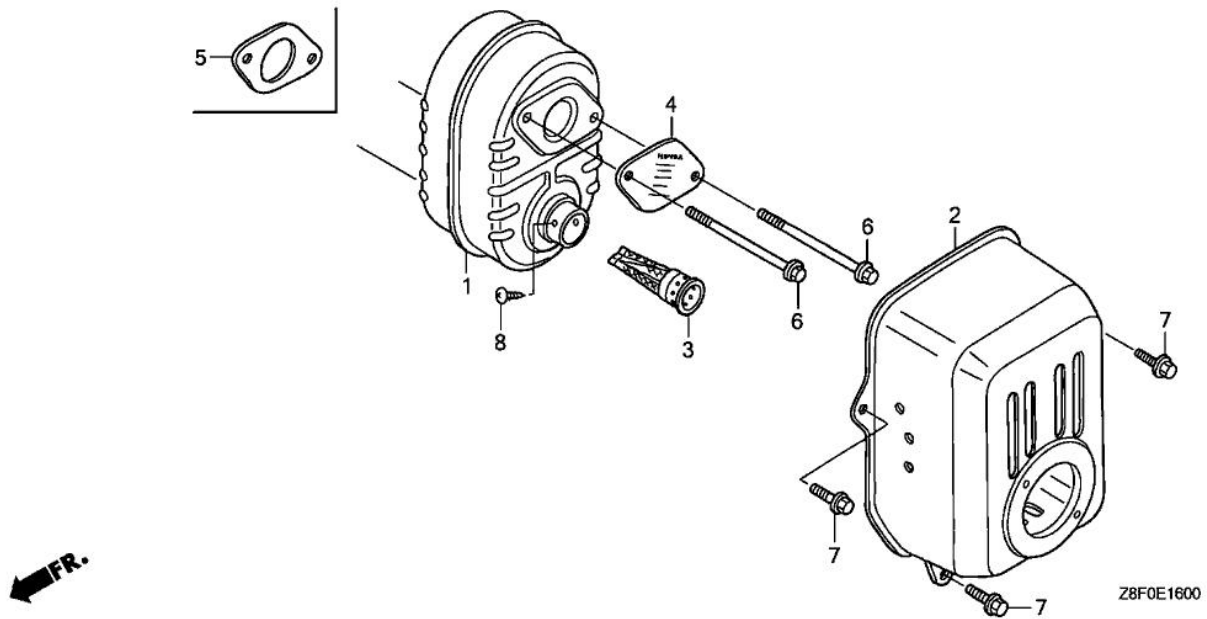


Ref.	Part Number	Part Description	Qty.
001	16010-883-015	GASKET SET	001
002	16013-ZL1-003	FLOAT SET	001
003	16015-ZL8-003	CHAMBER SET, FLOAT	001
004	16016-ZG0-W00	SCREW SET	001
005	16024-124-760	SCREW SET, DRAIN	001
006	16028-ZE0-005	SCREW SET	001
006	16028-ZK7-S91	SCREW SET	001
007	16029-ZG0-901	SCREW SET (THROTTLE STOP)	001
008	16100-Z0J-003	CARBURETOR ASSY. (BB61J A)	001
008	16100-Z0J-013	CARBURETOR ASSY. (BB61J B)	001
009	16155-ZL8-013	VALVE, FLOAT	001
010	16166-ZL8-003	NOZZLE, MAIN	001
011	16211-ZL8-000	INSULATOR, CARBURETOR	001
012	16212-ZL8-000	GASKET, INSULATOR	001
013	16221-883-800	GASKET, CARBURETOR	002
014	16228-ZL8-000	GASKET, CARBURETOR	001
015	19650-ZL8-000	GUIDE, AIR	001
016	93500-05006-0H	SCREW, PAN (5X6)	001
017	95002-02650	CLIP, TUBE (B6.5)	001
018	95003-07008-60M	BULK HOSE, VINYL (4X7X8000) OEM CUT SIZE: (4X7X150)	001
019	99101-124-0600	JET, MAIN (#60)	(1)
019	99101-124-0620	JET, MAIN (#62)	(1)
019	99101-124-0650	JET, MAIN (#65)	001
020	19651-Z0J-000	GUIDE, AIR	001

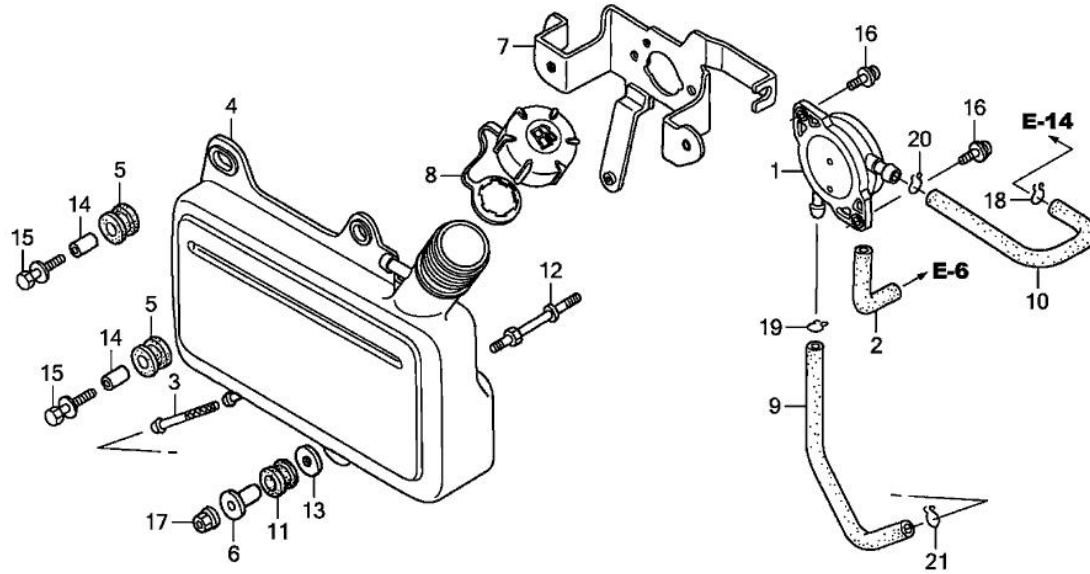




Ref.	Part Number	Part Description	Qty.
001	15721-ZL8-000	TUBE, BREATHER	001
002	17211-ZL8-023	ELEMENT, AIR CLEANER (TOYO ROKI)	001
003	17220-ZL8-000	HOUSING, AIR CLEANER	001
003	17220-ZL8-010	HOUSING, AIR CLEANER	001
003	17220-ZL8-020	HOUSING, AIR CLEANER	001
004	17228-ZL8-000	GASKET, AIR CLEANER	001
005	17231-Z0J-040	COVER, AIR CLEANER	001
006	90003-ZL8-000	BOLT, FLANGE (6X112) (CT200)	002



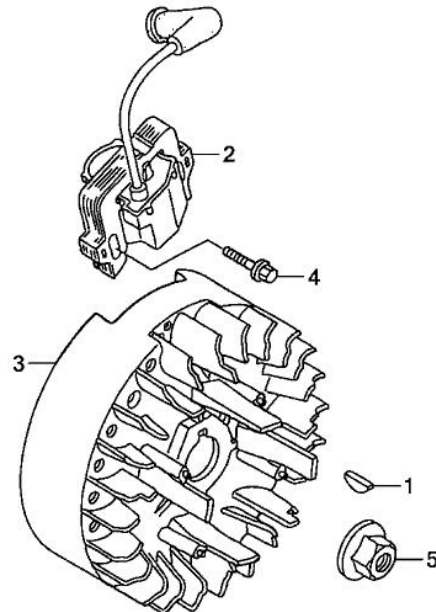
Ref.	Part Number	Part Description	Qty.
001	18310-Z0Y-000	MUFFLER	001
002	18321-ZL8-010	PROTECTOR, MUFFLER	001
003	18350-ZL8-000	ARRESTER, SPARK	001
004	18356-ZL8-000	PLATE, ARRESTER NUMBER	001
005	18381-ZL8-305	GASKET, MUFFLER	(1)
006	90004-ZL8-000	BOLT, FLANGE (6X79) (CT200)	002
007	90013-883-000	BOLT, FLANGE (6X12) (CT200)	003
008	90055-ZE1-000	SCREW, TAPPING (4X6)	001



Z8F0E1700

FR. →

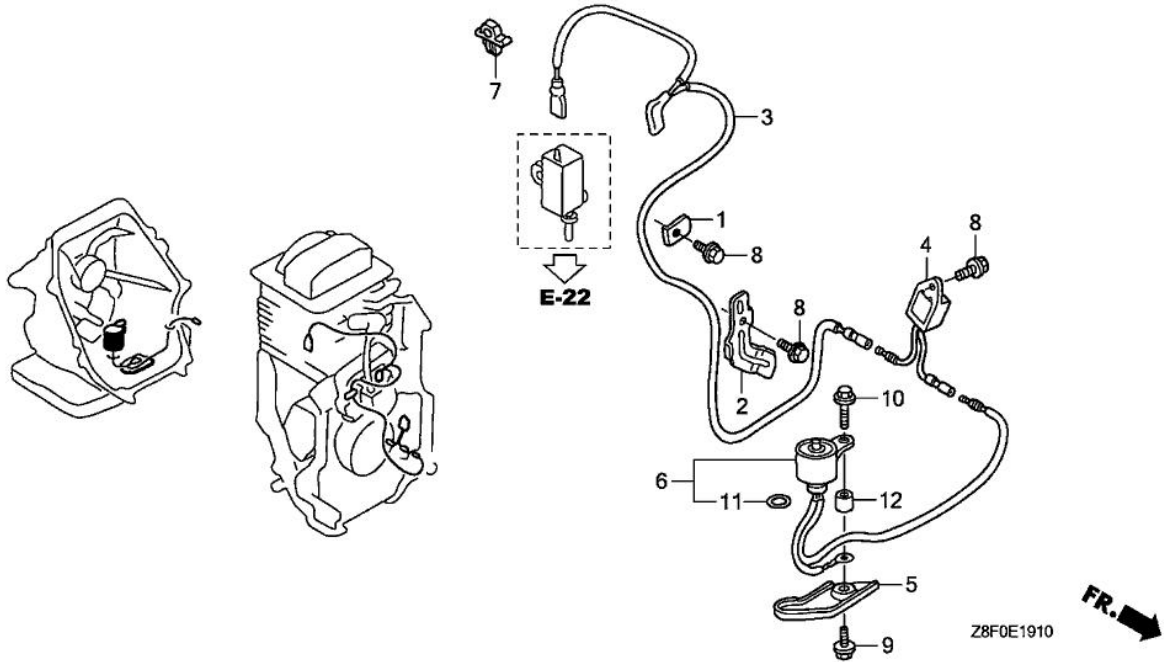
Ref.	Part Number	Part Description	Qty.
001	16700-Z0J-003	PUMP ASSY., FUEL	001
002	16882-ZL8-000	TUBE, DIAPHRAGM	001
003	16952-ZA8-800	FILTER, FUEL	001
004	06175-Z8A-800	TANK KIT, FUEL	001
005	17516-ZV0-000	RUBBER B, TANK MOUNTING	002
006	17535-KE7-000	COLLAR, FUEL TANK SETTING	001
007	17561-ZL8-000	STAY A, FUEL TANK	001
008	17620-Z0J-800	CAP ASSY., FUEL TANK	001
009	17701-ZL8-000	TUBE, FUEL TANK	001
010	17702-ZL8-000	TUBE, FUEL	001
011	80103-MG2-000	CUSHION, RR. FENDER	001
012	90041-ZL8-000	BOLT, FUEL TANK STUD (H=30MM)	001
012	90041-Z2M-000	BOLT, STUD (FUEL TANK)	001
013	90473-896-000	WASHER (6MM)	001
014	90501-KA2-640	COLLAR (14X6.1)	002
015	93404-06025-00	BOLT-WASHER (6X25)	002
016	93894-05014-00	SCREW-WASHER (5X14)	002
017	94050-06000	NUT, FLANGE (6MM)	001
018	95002-02080	CLIP, TUBE (B8)	001
019	95002-02100	CLIP, TUBE (B10)	001
020	95002-50000	CLIP, TUBE (C9)	001
021	95002-70000	CLIP, TUBE (C11)	001



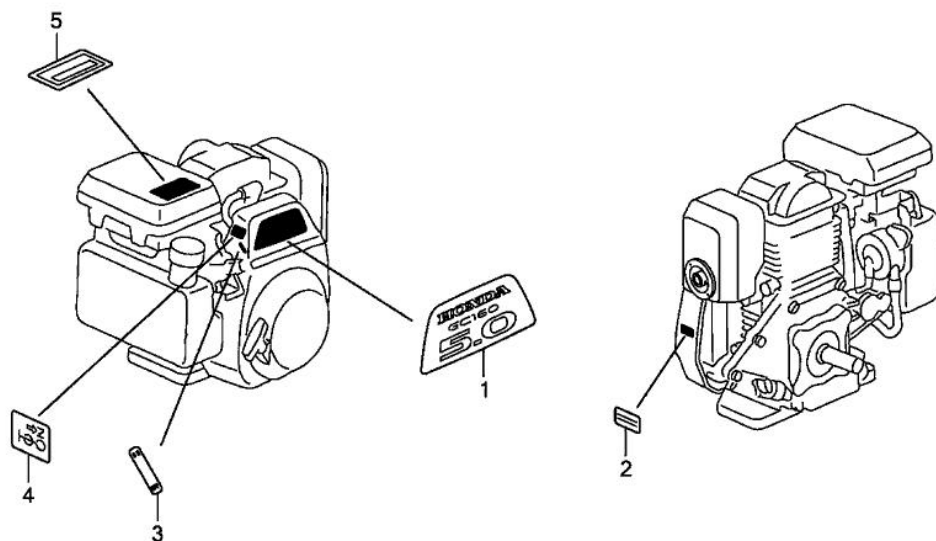
Z8F0E1900

FR. →

Ref.	Part Number	Part Description	Qty.
001	13331-357-000	KEY, SPECIAL WOODRUFF (25X18)	001
002	30500-ZL8-014	COIL ASSY., IGNITION (USE FOR F/W OF TEC) (TEC)	001
003	31110-ZL8-004	FLYWHEEL COMP. (TEC) (USE FOR IGN. COIL OF TEC)	(USE... 001
004	90022-888-010	BOLT, FLANGE (6X20) (CT200)	001
005	90201-878-003	NUT, SPECIAL (14MM)	001



Ref.	Part Number	Part Description	Qty.
001	30548-ZL8-000	CLAMP, STOP SWITCH WIRE	001
002	30549-ZL8-000	CLAMP, WIRE	001
003	32195-ZL8-810	WIRE, STOP SWITCH	001
004	34150-ZH7-023	ALERT UNIT, OIL	001
005	35419-ZL8-000	PROTECTOR, SWITCH	001
006	35480-ZL8-811	SWITCH, OIL LEVEL	001
006	35480-ZL8-812	SWITCH, OIL LEVEL	001
007	36103-ZE1-000	HOLDER, STOP SWITCH WIRE	001
008	90013-883-000	BOLT, FLANGE (6X12) (CT200)	003
009	90014-952-000	BOLT, FLANGE (6X14) (CT200)	001
010	90015-883-000	BOLT, FLANGE (6X28) (CT200)	001
011	91302-ZL8-003	O-RING (11.8X2.4)	001
012	91501-ZL8-000	COLLAR (6.6X13.8X14.5)	001



Z8F0E2800

Ref.	Part Number	Part Description	Qty.
001	87101-ZL8-020	EMBLEM (GC160)	001
002	87114-ZH7-821	LABEL, WARNING (NOT CERTIFIED FOR SALE)	(NOT CERTI... 001
003	87501-ZL8-000	MARK, ENGINE SWITCH INDICATION	001
004	87528-ZL8-000	MARK, CHOKE	001
005	87530-ZL8-850	MARK, OIL ALERT (ENGLISH)	001