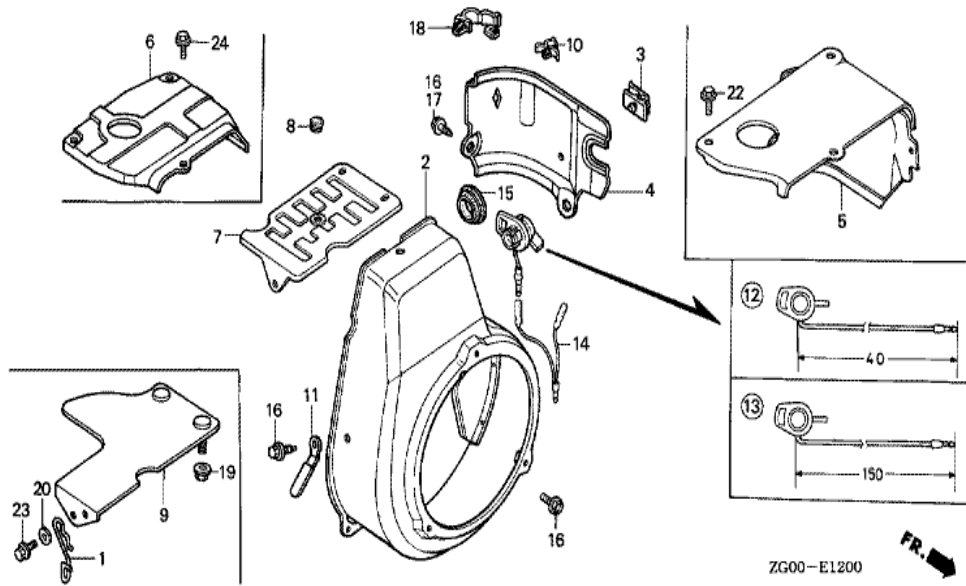


2G00-E1102

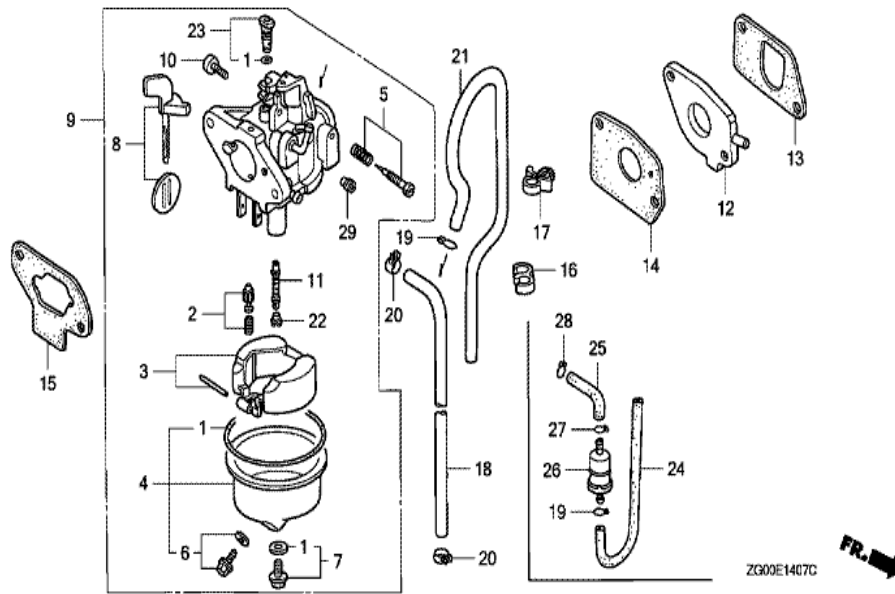
Ref	Partnumber	Description	G100K2	Serial Numbers
001	28400-ZG0-U01ZA	STARTER ASSY., RECOIL *R8 *	1	
002	28410-ZG0-U01ZA	CASE COMP., RECOIL STARTER *R8 *	1	3161852 3470665
003	28420-ZG0-004	REEL, RECOIL STARTER	1	3223716
004	28422-896-010	RATCHET, STARTER	1	2357295
005	28431-896-000	PLATE, FRICTION	1	3223716
006	28441-896-000	SPRING, FRICTION	1	2357295
007	28442-ZE6-003	SPRING, RECOIL STARTER	1	3223716
008	28443-896-000	SPRING, RETURN	1	2357295
010	28461-ZH8-003	GRIP, STARTER	1	
011	28462-ZG0-004	ROPE, RECOIL STARTER	1	2357295
012	95701-0600800	BOLT, FLANGE, 6X8	3	2357295
013	92101-060120H	BOLT, HEX., 6X12	1	3223716



ZG00-E1200

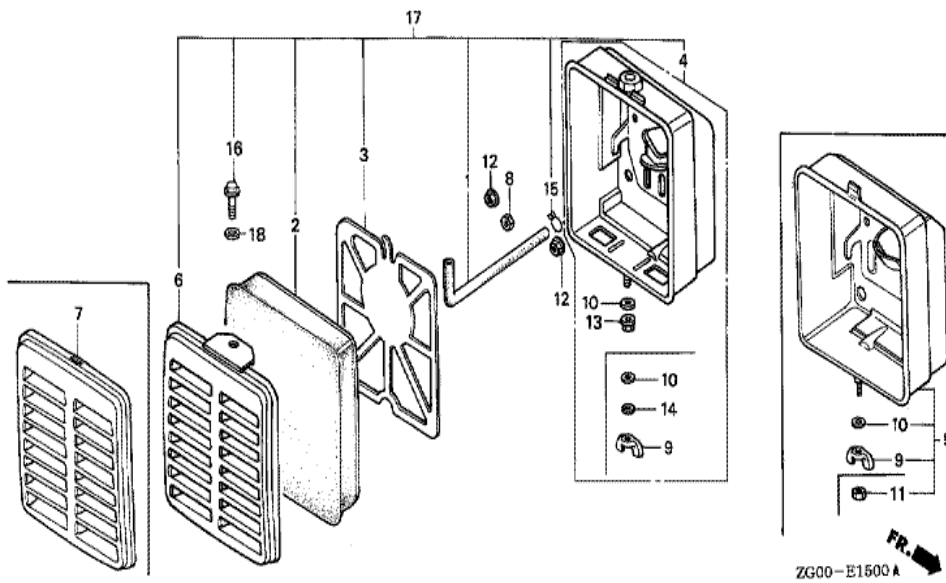


Ref	Partnumber	Description	G100K2	Serial Numbers	
001	17547-ZG0-U00	GUIDE, WIRE	1	3047226	
002	19610-ZG0-U00ZB	COVER COMP., FAN *R8 *	1	3469056	
003	19613-ZE1-000	CLAMPER, CORD	1	3235501	
003	19613-ZE1-010	CLAMP, CORD	1	3235502	3239456
003	19613-ZE1-020	CLAMP, CORD	1	3239457	
004	19630-ZG0-U00	SHROUD COMP.	1	3239456	
004	19630-ZG0-U01	SHROUD COMP.	1		
009	19721-ZG0-U00	COVER, TOP	1	3161852	
012	36100-ZE1-015	SWITCH ASSY., ENGINE STOP	1		
014	32197-ZH8-003	SUB HARNESS	1		
016	90013-883-000	BOLT, FLANGE, 6X12 (CT200)	4		
017	90013-883-000	BOLT, FLANGE, 6X12 (CT200)	1		
018	90652-SB2-023	CLIP, TUBE, 7MM	1		
<u>Ref</u>	<u>Partnumber</u>	<u>Description</u>	<u>G100K2</u>	<u>Serial Numbers</u>	
019	94050-06000	NUT, FLANGE, 6MM	2	3266028	
023	95701-0601600	BOLT, FLANGE, 6X16	1	3047226	

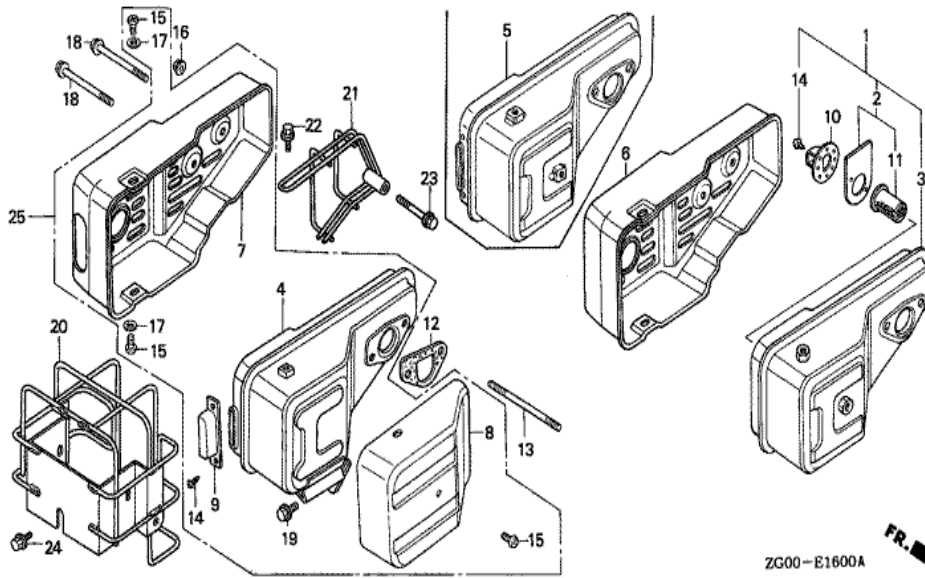


Ref	Partnumber	Description	G100K2	Serial Numbers
001	16010-ZG0-015	GASKET SET	1	
002	16011-ZE0-005	VALVE SET, FLOAT	1	
003	16013-ZG0-811	FLOAT SET	1	
004	16015-ZG0-811	CHAMBER SET, FLOAT	1	
005	16016-ZE0-005	SCREW SET, PILOT	1	
006	16024-ZE1-811	SCREW SET, DRAIN	1	
007	16028-ZG0-811	SCREW SET	1	
008	16044-ZG0-W00	CHOKE SET	1	
009	16100-ZG0-U03	CARBURETOR ASSY. (BF03B B)	1	3122283 3224839
009	16100-ZG0-U04	CARBURETOR ASSY. (BF03B C)	1	3224840 3236975
009	16100-ZG0-U05	CARBURETOR ASSY. (BF03B D)	1	3236976
010	16124-ZE0-005	SCREW, THROTTLE STOP	1	
011	16166-ZG0-U00	NOZZLE, MAIN	1	

<u>Ref</u>	<u>Partnumber</u>	<u>Description</u>	<u>G100K2</u>	<u>Serial Numbers</u>
012	16211-ZC0-000	INSULATOR, CARBURETOR	1	3047226
013	16212-ZG0-800	PACKING, INSULATOR	1	
014	16221-ZG0-801	PACKING, CARBURETOR	1	
015	16269-ZG0-800	PACKING, AIR CLEANER	1	
016	90658-ZA0-930	CLIP, HIGH TENSION CORD	1	
018	95001-4540050	HOSE, FUEL, 4.5X400 (95001-45001-50M)	1	
019	95002-02080	CLIP, TUBE (B8)	1	
020	95002-4085008	CLAMP, TUBE (D8.5)	2	
022	99101-1870500	JET, MAIN, #50	(1)	BF03B D
022	99101-1870520	JET, MAIN, #52	(1)	
022	99101-1870550	JET, MAIN, #55	(1)	BF03B C
022	99101-1870550	JET, MAIN, #55	1	BF03B D
022	99101-1870580	JET, MAIN, #58	1	BF03B C
023	99204-ZE00350	JET SET, PILOT, #35	1	
024	16198-ZG0-U00	TUBE A, AIR VENT	1	3047226
025	16199-ZG0-U00	TUBE B, AIR VENT	1	3047226
026	16910-ZG0-U01	STRAINER COMP., FUEL	1	3047226 3320620
026	16910-ZG0-U02	STRAINER COMP., FUEL	1	3320621
027	95002-02100	CLIP, TUBE (B10)	1	3047226
028	95002-50000	CLIP, TUBE (C9)	1	
029	99102-ZG00700	JET	1	



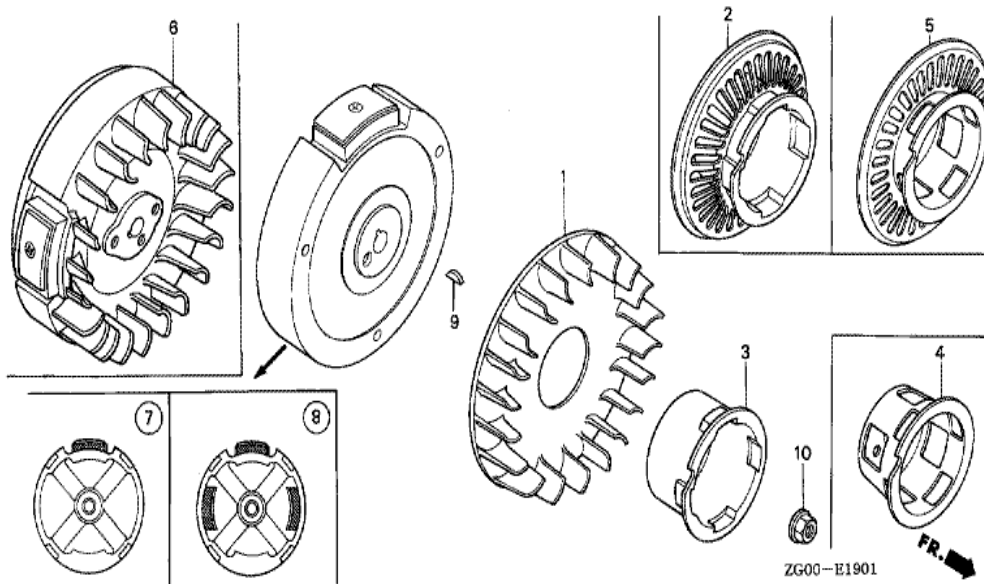
Ref	Partnumber	Description	G100K2	Serial Numbers
001	15721-ZG0-U00	TUBE, BREATHER	1	3161852
002	17211-896-000	ELEMENT, AIR CLEANER	1	
003	17212-896-000	GRID, AIR CLEANER	1	
004	17220-ZG0-U02	CASE COMP., CLEANER	1	3161852 3309729
004	17220-ZG0-U03	CASE COMP., CLEANER	1	3309730
006	17230-ZG0-U01	COVER COMP., AIR CLEANER	1	3161852 3309729
006	17230-ZG0-U02	COVER COMP., AIR CLEANER	1	3309730
012	94050-05000	NUT, FLANGE, 5MM	2	
013	94050-06000	NUT, FLANGE, 6MM	1	3104276
015	95002-50000	CLIP, TUBE (C9)	1	3161852
016	95701-0600800	BOLT, FLANGE, 6X8	1	3161852
018	94103-06000	WASHER, PLAIN, 6MM	1	3141520



ZG00-E1600A

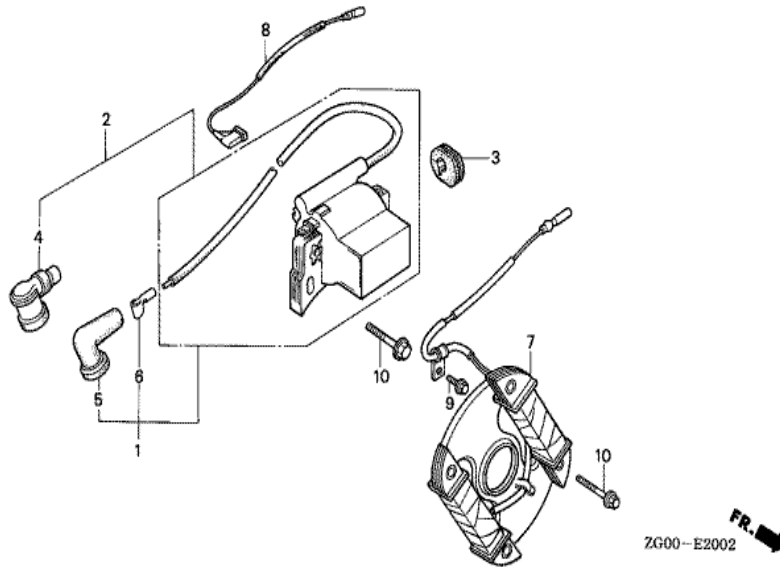


Ref	Partnumber	Description	G100K2	Serial Numbers
004	18310-ZG0-U00	MUFFLER COMP.	1	
007	18320-ZG0-000	PROTECTOR, MUFFLER	(1)	
008	18321-ZG0-U00	SEPARATOR, MUFFLER	1	3047226
009	18331-896-000	DEFLECTOR, MUFFLER	1	3103518
012	18381-ZG0-800	GASKET, MUFFLER	1	2376620
013	90046-ZG0-000	BOLT, STUD, 6X50	2	
014	90002-ZG0-003	SCREW, TAPPING, 4X8	2	3103518
015	93500-060060B	SCREW, PAN, 6X6	3	3047226
016	94050-06000	NUT, FLANGE, 6MM	2	
017	94101-06000	WASHER, PLAIN, 6MM	(3)	
019	95701-0601400	BOLT, FLANGE, 6X14	1	
025	18300-ZG0-U01	MUFFLER ASSY.	1	



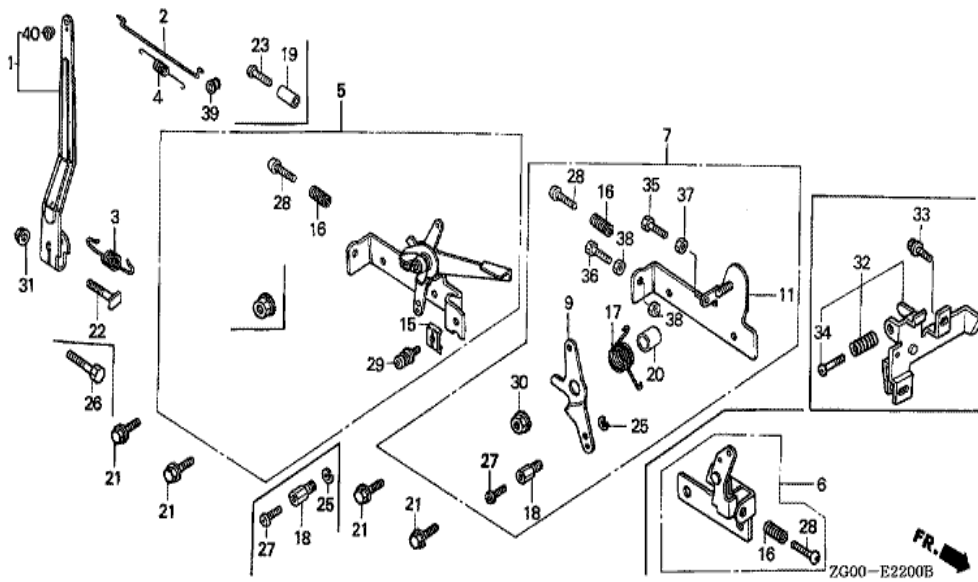
ZG00-E1901

Ref	Partnumber	Description	G100K2	Serial Numbers
001	19511-ZG0-W00	FAN, COOLING	1	
003	28451-ZG1-004	PULLEY, STARTER	(1)	
007	31100-ZG0-010	FLYWHEEL COMP.	1	
009	90741-147-000	KEY, WOODRUFF	1	
010	94050-12000	NUT, FLANGE, 12MM	1	

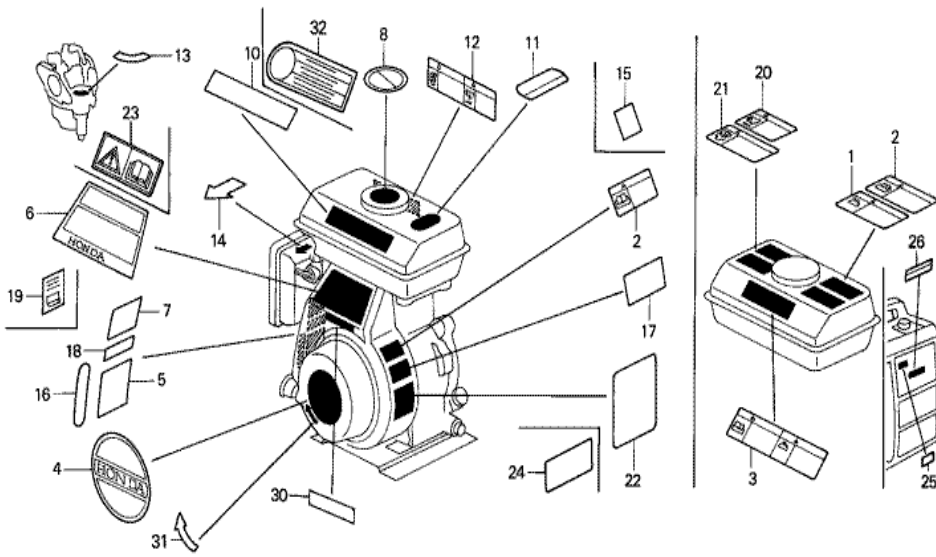


Ref	Partnumber	Description	G100K2	Serial Numbers
001	30500-ZG0-W01	COIL ASSY., IGNITION	1	
003	30563-ZG0-000	GROMMET, HIGH TENSION CORD	1	
005	30701-888-014	CAP, HIGH TENSION (TOYO) (###)	1	
006	30702-888-003	TERMINAL, PLUG	(1)	
008	36101-ZG0-000	CORD, STOP SWITCH	1	
010	90121-952-000	BOLT, FLANGE, 6X25 (CT200)	(6)	



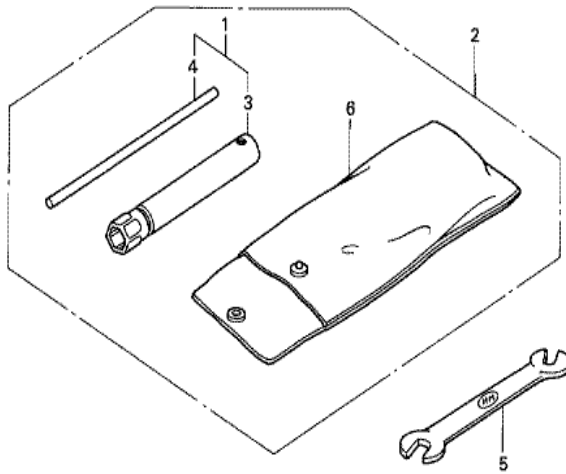


<u>Ref</u>	<u>Partnumber</u>	<u>Description</u>	<u>G100K2</u>	<u>Serial Numbers</u>	
001	16550-ZG0-U00	ARM COMP., GOVERNOR	1		
002	16555-ZG0-000	ROD, GOVERNOR	1		
003	16561-ZG0-U01	SPRING, GOVERNOR	1	3080564	3266028
004	16562-ZG0-000	SPRING, THROTTLE RETURN	1		3266028
007	16500-ZG0-U01	CONTROL ASSY. (REMOTE)	1	3103518	3266028
009	16571-ZG0-810	LEVER, CONTROL (REMOTE)	1	1443596	
011	16572-ZG0-810	BASE COMP., CONTROL (REMOTE)	(1)		
017	16592-896-610	SPRING, RETURN	(1)		
018	16594-883-010	HOLDER, WIRE	1		3266028
020	91552-ZG0-810	COLLAR, CONTROL LEVER	1	1443596	
021	90013-883-000	BOLT, FLANGE, 6X12 (CT200)	2		
022	90015-ZE5-010	BOLT, GOVERNOR ARM	1		
025	90605-230-000	CIRCLIP, 5MM	1		3266028
<u>Ref</u>	<u>Partnumber</u>	<u>Description</u>	<u>G100K2</u>	<u>Serial Numbers</u>	
027	93500-040060H	SCREW, PAN, 4X6	(1)		
030	94050-06000	NUT, FLANGE, 6MM	1		3266028
031	94050-06000	NUT, FLANGE, 6MM	1	1955482	
035	92301-050200A	BOLT, RECESSED, 5X20	1	3047226	3266028
036	54717-ZG0-S00	BOLT, CABLE ADJUSTING (6X34)	1	3103518	3266028
037	94001-05000	NUT, HEX., 5MM	1		
038	94002-060000S	NUT, HEX., 6MM	2	3103518	3266028
040	16576-ZA0-700	COLLAR, LEVER	1		3266028



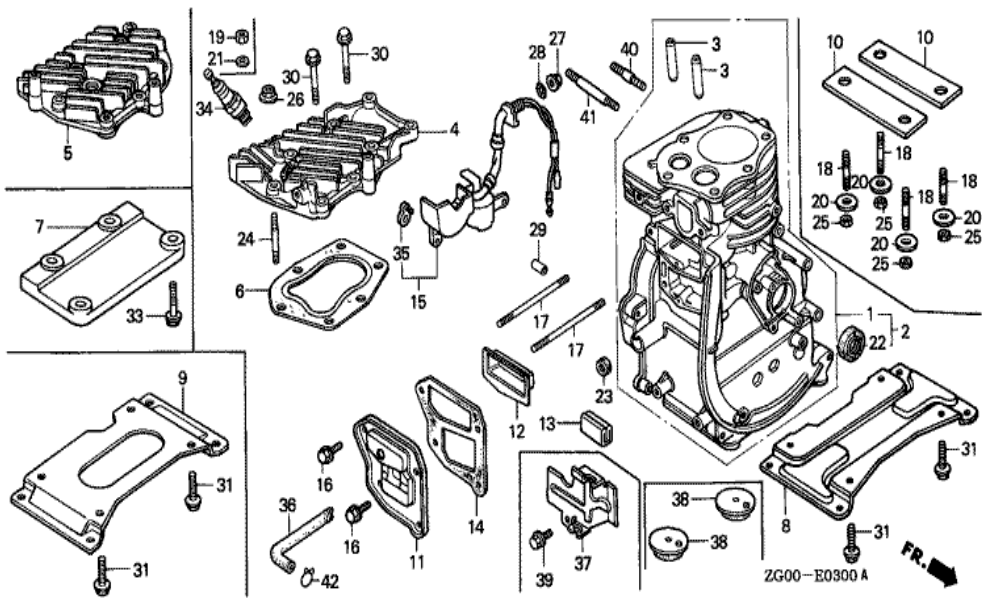
ZG00-E2800

Ref	Partnumber	Description	G100K2	Serial Numbers
004	87521-ZG0-W10	EMBLEM	1	3223716
014	87528-883-661	MARK, CHOKE	1	3328066

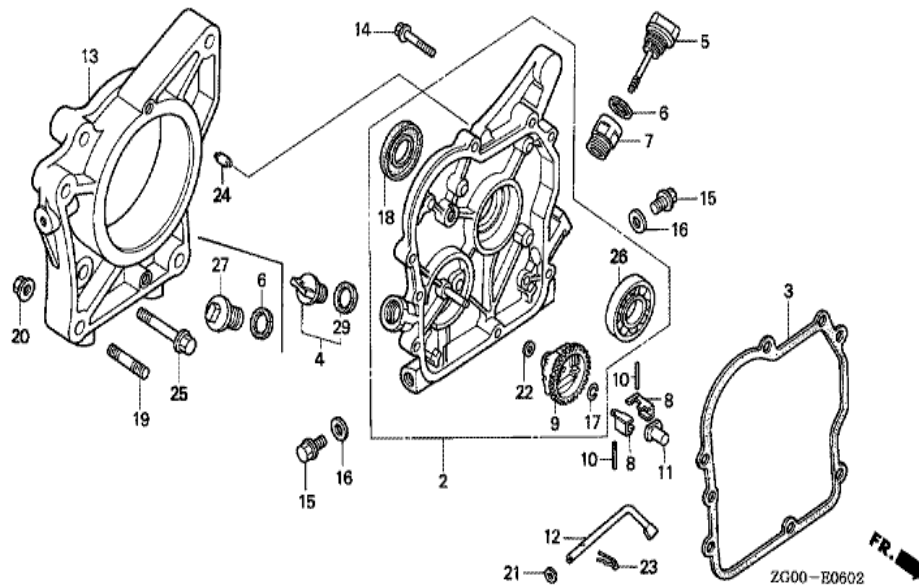


ZG00-E2900

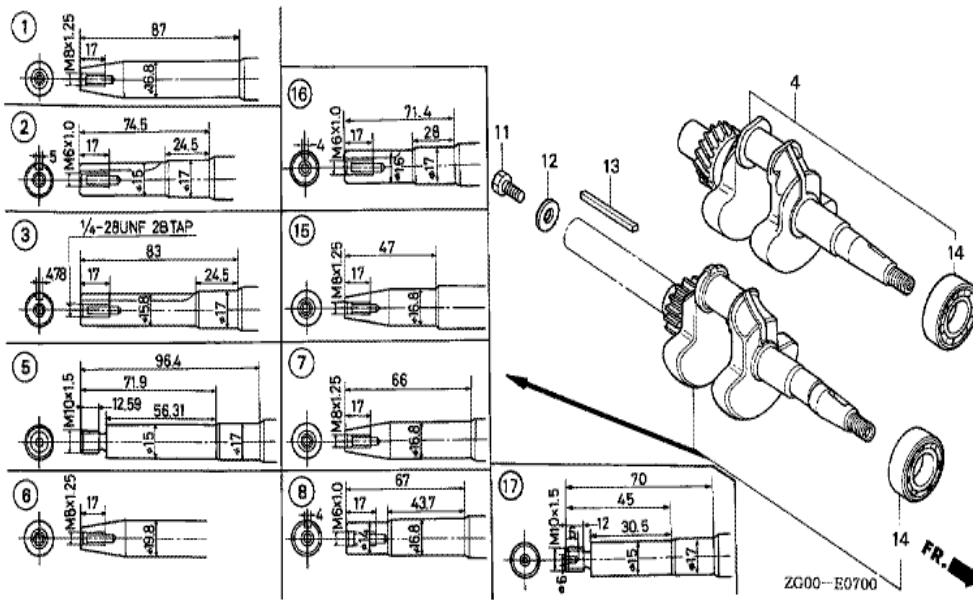
Ref	Partnumber	Description	G100K2	Serial Numbers
003	89216-888-000	WRENCH, SPARK PLUG	1	3358410



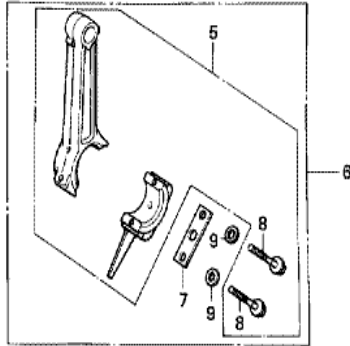
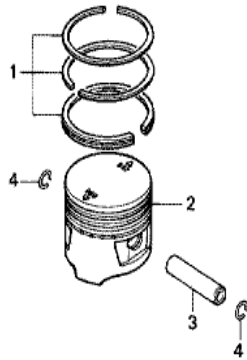
<u>Ref</u>	<u>Partnumber</u>	<u>Description</u>	<u>G100K2</u>	<u>Serial Numbers</u>
002	12000-ZG0-U00	BARREL ASSY., CYLINDER	1	
003	12133-896-306	GUIDE, VALVE (O.S.)	(2)	
004	12221-ZG0-030	HEAD, CYLINDER	1	
006	12281-ZC0-003	GASKET, CYLINDER HEAD	1	
007	12351-ZG0-U00	BED, ENGINE	1	3238131
011	12360-ZG0-U00	COVER COMP., TAPPET ROOM	1	3141520
012	12370-ZG0-000	SEPARATOR COMP., INNER	1	
013	12367-ZG0-U00	FILTER, BREATHER	1	3047226
014	12375-ZG0-010	GASKET, TAPPET COVER	1	
015	15510-ZG0-U01	SWITCH ASSY., OIL LEVEL	1	
016	90002-892-000	BOLT, FLANGE, 5X10	4	
017	90041-892-000	BOLT, STUD, 5X85	2	
022	91202-892-003	OIL SEAL, 17X30X6 (ARAI)	1	
<u>Ref</u>	<u>Partnumber</u>	<u>Description</u>	<u>G100K2</u>	<u>Serial Numbers</u>
022	91202-892-004	OIL SEAL, 17X30X6 (NOK)	1	
023	91231-816-000	OIL SEAL, 5X10X4	1	
027	94050-10000	NUT, FLANGE, 10MM	1	
028	91353-671-003	O-RING, 13.5X1.5 (ARAI)	1	
029	94303-08140	DOWEL PIN, 8X14	2	
030	95818-0603500	BOLT, FLANGE, 6X35	4	
033	95701-0802800	BOLT, FLANGE, 8X28	4	3238131
034	98073-54776	PLUG, SPARK (BPMP4A) (NGK)	1	3152207
035	15512-ZC0-000	BUSH, LEVEL SWITCH	2	



<u>Ref</u>	<u>Partnumber</u>	<u>Description</u>	<u>G100K2</u>	<u>Serial Numbers</u>
002	11300-ZG0-U01	COVER ASSY., CRANKCASE	1	3161852
003	11381-ZG0-U00	PACKING, CASE COVER	1	
005	15620-ZG0-003	CAP, OIL FILLER	1	
006	15625-ZE1-003	PACKING, OIL FILLER CAP	1	3141520
008	16511-896-000	WEIGHT, GOVERNOR	2	
009	16512-ZG0-000	HOLDER, GOVERNOR WEIGHT	1	
010	16513-ZE1-000	PIN, GOVERNOR WEIGHT	2	
011	16531-ZG0-000	SLIDER, GOVERNOR	1	
012	16541-896-000	SHAFT, GOVERNOR ARM	1	
013	22342-ZG0-U00	HOUSING, RR. CLUTCH	1	
014	90015-883-000	BOLT, FLANGE, 6X28 (CT200)	6	
015	90131-ZE1-000	BOLT, DRAIN PLUG	1	3161852
016	90601-ZE1-000	WASHER, DRAIN PLUG, 10.2MM	1	3161852
<u>Ref</u>	<u>Partnumber</u>	<u>Description</u>	<u>G100K2</u>	<u>Serial Numbers</u>
017	90602-ZE1-000	CLIP, GOVERNOR HOLDER	1	
018	91202-892-004	OIL SEAL, 17X30X6 (NOK)	1	
019	92900-080320B	BOLT, STUD, 8X32	4	
020	94050-08000	NUT, FLANGE, 8MM	4	
021	94101-05000	WASHER, PLAIN, 5MM	1	
022	94101-06000	WASHER, PLAIN, 6MM	1	
023	94251-08000	PIN, LOCK, 8MM	1	
024	94303-06100	DOWEL PIN, 6X10	2	
025	95701-0803800	BOLT, FLANGE, 8X38	4	
026	96100-6203000	BEARING, RADIAL BALL, 6203	1	



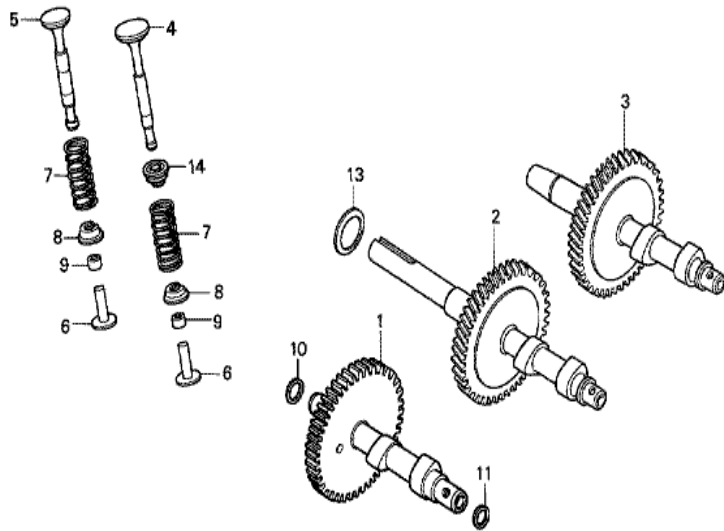
Ref	Partnumber	Description	G100K2	Serial Numbers
001	13310-ZG0-U10	CRANKSHAFT COMP.	1	
014	96100-6203000	BEARING, RADIAL BALL, 6203	1	




ZG00-E0800



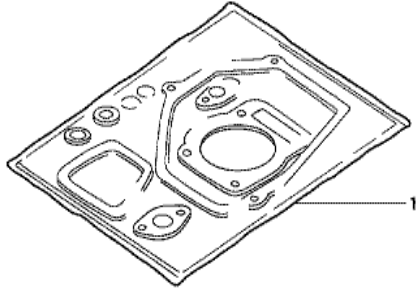
Ref	Partnumber	Description	G100K2	Serial Numbers
001	13010-ZC0-003	RING SET, PISTON (STD.)	1	
001	13011-ZC0-003	RING SET, PISTON (0.25)	(1)	
001	13012-ZC0-003	RING SET, PISTON (0.50)	(1)	
001	13013-ZC0-003	RING SET, PISTON (0.75)	(1)	
002	13101-ZC0-003	PISTON (STD.)	1	
002	13102-ZC0-003	PISTON (0.25)	(1)	
002	13103-ZC0-003	PISTON (0.50)	(1)	
002	13104-ZC0-003	PISTON (0.75)	(1)	
003	13111-892-000	PIN, PISTON	1	
004	13115-147-000	CLIP, PISTON PIN, 10MM	2	
005	13200-ZA7-000	ROD ASSY., CONNECTING	1	
008	90001-ZG0-000	BOLT, CONNECTING ROD	2	1443596



FR.   
ZG00-E0900

<u>Ref</u>	<u>Partnumber</u>	<u>Description</u>	<u>G100K2</u>	<u>Serial Numbers</u>
001	14111-ZG0-U00	CAMSHAFT COMP.	1	3047226
004	14711-ZG1-000	VALVE, IN.	1	3293725
005	14721-ZG1-000	VALVE, EX.	1	
006	14732-ZC0-000	LIFTER, VALVE	2	2063202
007	14751-896-000	SPRING, VALVE	2	
008	14771-ZG0-000	RETAINER, VALVE SPRING	2	1443596
009	14801-892-000	ADJUSTER, TAPPET CLEARANCE (3.15)	2	
009	14803-892-000	ADJUSTER, TAPPET CLEARANCE (3.25)	2	
009	14806-892-000	ADJUSTER, TAPPET CLEARANCE (3.34)	2	
009	14809-892-000	ADJUSTER, TAPPET CLEARANCE (3.43)	2	
009	14812-892-000	ADJUSTER, TAPPET CLEARANCE (3.52)	2	
009	14815-892-000	ADJUSTER, TAPPET CLEARANCE (3.61)	2	
009	14818-892-000	ADJUSTER, TAPPET CLEARANCE (3.72)	2	
<u>Ref</u>	<u>Partnumber</u>	<u>Description</u>	<u>G100K2</u>	<u>Serial Numbers</u>
009	14820-892-000	ADJUSTER, TAPPET CLEARANCE (3.82)	2	
010	90452-ZG0-000	WASHER, 12MM	1	
011	90452-ZG0-000	WASHER, 12MM	1	





HENG-X0003

<u>Ref</u>	<u>Partnumber</u>	<u>Description</u>	<u>G100K2</u>	<u>Serial Numbers</u>
001	061A1-ZG0-U00	GASKET KIT	1	