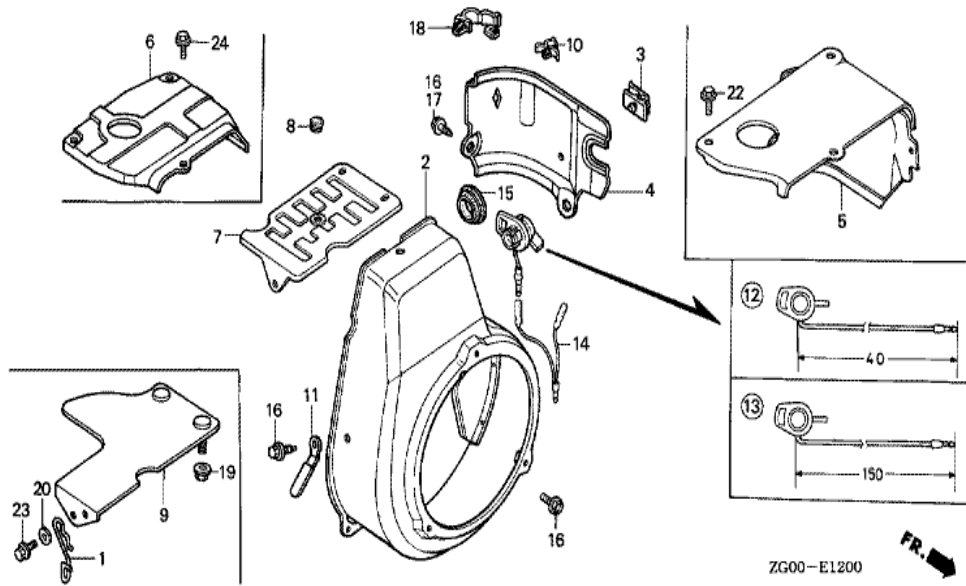
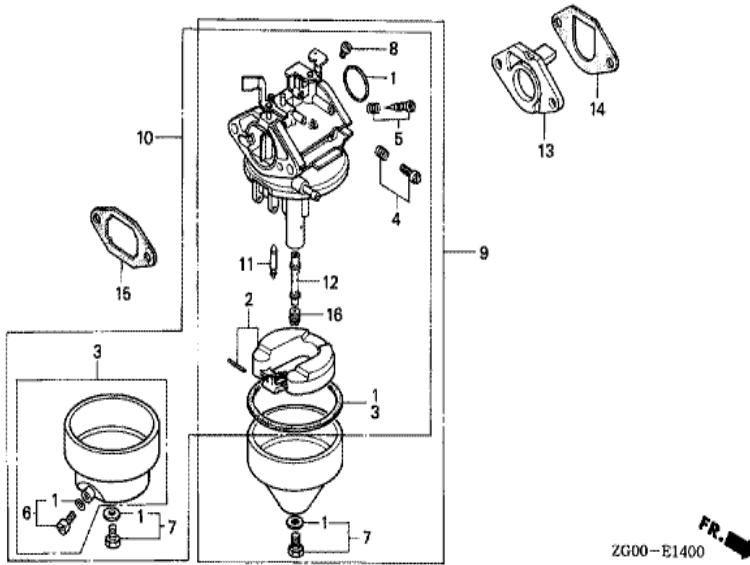


Ref	Partnumber	Description	G100	Serial Numbers
001	28400-896-013	STARTER ASSY., RECOIL	1	
003	28410-896-000	CASE COMP., STARTER	1	
006	28420-896-010	PULLEY, RECOIL STARTER	1	
007	28422-896-010	RATCHET, STARTER	1	
008	28431-896-000	PLATE, FRICTION	1	
009	28441-896-000	SPRING, FRICTION	1	
010	28442-896-000	SPRING, RECOIL STARTER	1	
011	28443-896-000	SPRING, RETURN	1	
012	28461-896-000	GRIP, STARTER	1	
013	28462-896-000	ROPE, STARTER	1	
015	90011-896-000	BOLT, FLANGE, 6X8	2	
016	92000-060120H	BOLT, HEX., 6X12	1	

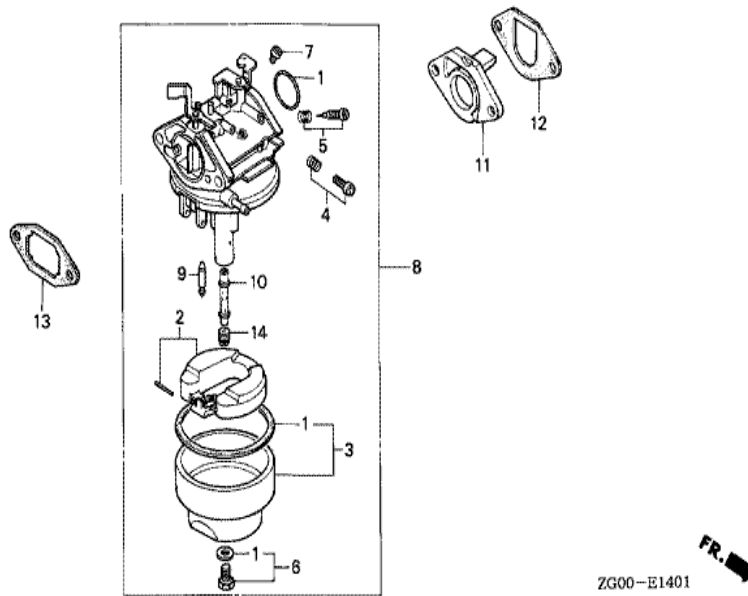


Ref	Partnumber	Description	G100	Serial Numbers
002	19610-896-000H	COVER COMP., FAN	1	
004	19631-896-000	SHROUD	1	
007	19641-896-000	COVER, TOP	1	
008	19643-883-010	GROMMET, TOP COVER	1	
010	30701-883-000	CLIP, HIGH TENSION CORD (8MM)	(1)	
012	36100-883-005	SWITCH ASSY., ENGINE STOP	(1)	1435809
012	36100-ZE1-005	SWITCH ASSY., ENGINE STOP	1	1435810
013	36100-896-601	SWITCH ASSY., ENGINE STOP	(1)	
016	95700-0601208	BOLT, FLANGE, 6X12	2	
017	90013-883-000	BOLT, FLANGE, 6X12 (CT200)	1	



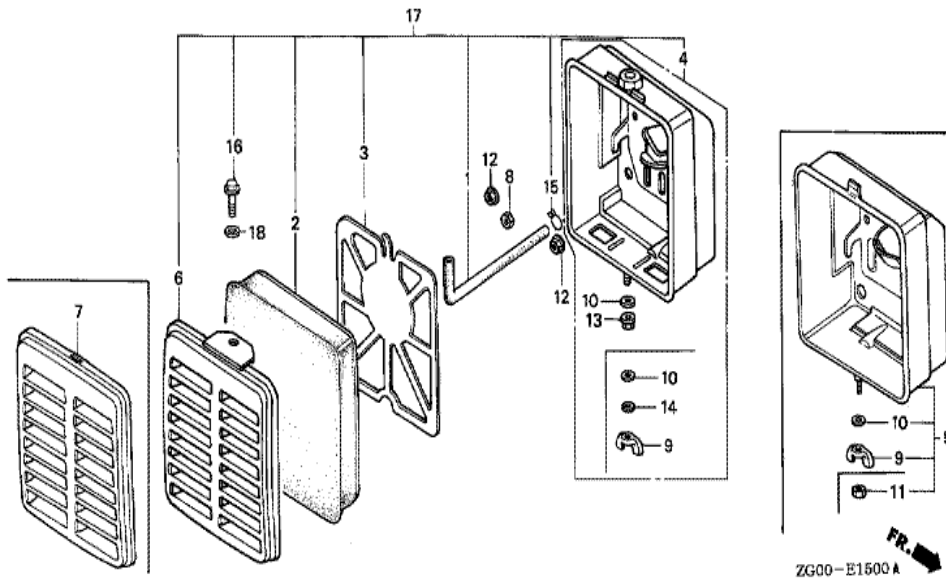
ZG00-E1400

<u>Ref</u>	<u>Partnumber</u>	<u>Description</u>	<u>G100</u>	<u>Serial Numbers</u>
001	16010-896-751	PACKING SET	1	BB08C A
002	16013-883-005	FLOAT SET	(1)	
003	16015-896-005	CHAMBER SET, FLOAT	1	
005	16016-892-005	SCREW SET A	1	
005	16016-896-005	SCREW SET A	1	
006	16024-890-731	SCREW SET, DRAIN	1	BB08C A
007	16028-883-005	SCREW SET B	(1)	
008	16071-881-003	SCREW, PLUG	(1)	
010	16100-896-015	CARBURETOR ASSY. (BB08A B)	(1)	1050602
011	16155-883-005	VALVE COMP., FLOAT	(1)	
012	16166-896-005	NOZZLE, MAIN	(1)	
013	16211-896-000	INSULATOR, CARBURETOR	1	
013	16211-896-306	INSULATOR, CARBURETOR	(1)	
<u>Ref</u>	<u>Partnumber</u>	<u>Description</u>	<u>G100</u>	<u>Serial Numbers</u>
014	16212-896-000	GASKET, INSULATOR	1	
015	16269-892-000	PACKING, AIR CLEANER	1	
016	99101-1240450	JET, MAIN, #45	(1)	
016	99101-1240480	JET, MAIN, #48	(1)	
016	99101-1240500	JET, MAIN, #50	(1)	
016	99101-1240520	JET, MAIN, #52	(1)	
016	99101-1240550	JET, MAIN, #55	(1)	

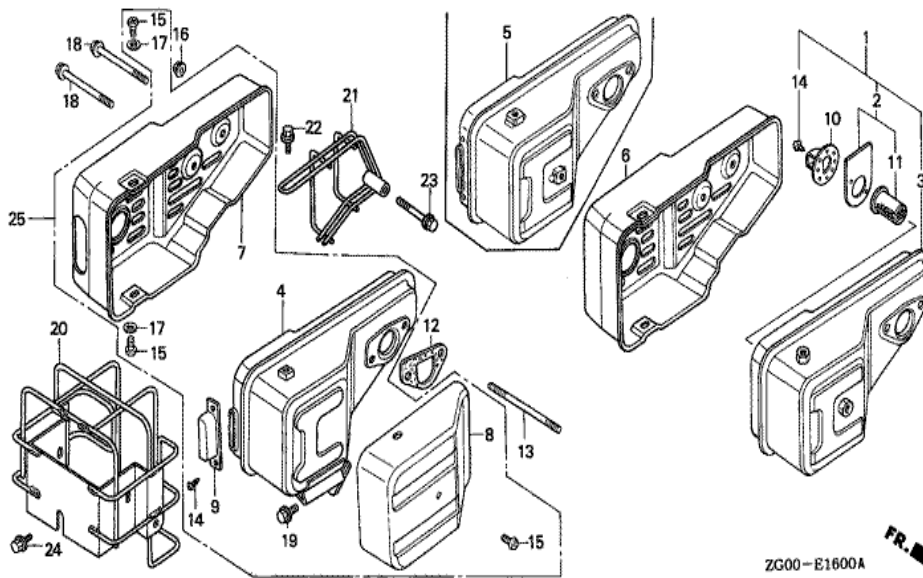


ZG00-E1401

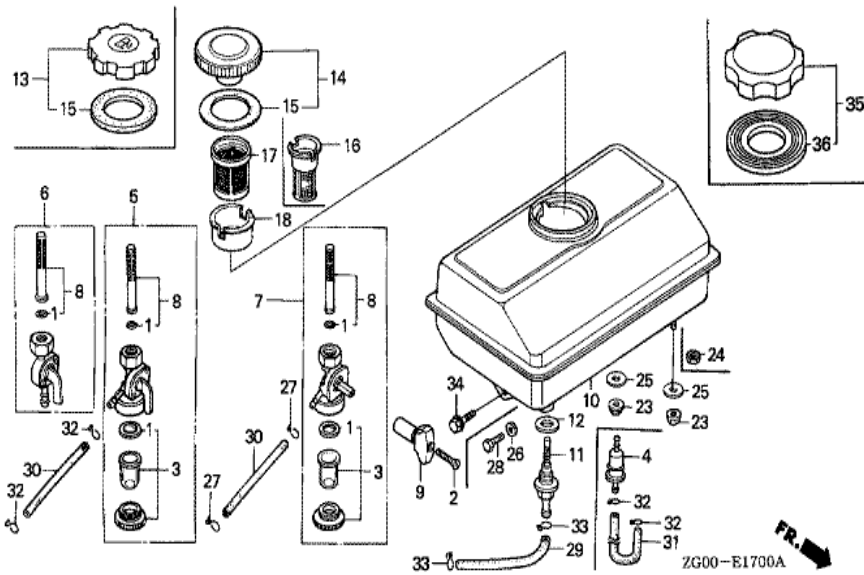
<u>Ref</u>	<u>Partnumber</u>	<u>Description</u>	<u>G100</u>	<u>Serial Numbers</u>
001	16010-896-005	PACKING SET	(1)	
002	16013-883-005	FLOAT SET	(1)	
003	16015-896-701	CHAMBER SET, FLOAT	(1)	
004	16016-892-005	SCREW SET A	(1)	
005	16016-896-005	SCREW SET A	(1)	
006	16028-883-005	SCREW SET B	(1)	
007	16071-881-003	SCREW, PLUG	(1)	
008	16100-896-661	CARBURETOR ASSY. (BB08B A)	(1)	
009	16155-883-005	VALVE COMP., FLOAT	(1)	
010	16166-896-005	NOZZLE, MAIN	(1)	
011	16211-896-000	INSULATOR, CARBURETOR	1	
011	16211-896-306	INSULATOR, CARBURETOR	(1)	
012	16212-896-000	GASKET, INSULATOR	1	
<u>Ref</u>	<u>Partnumber</u>	<u>Description</u>	<u>G100</u>	<u>Serial Numbers</u>
013	16269-892-000	PACKING, AIR CLEANER	1	
014	99101-1240450	JET, MAIN, #45	(1)	
014	99101-1240480	JET, MAIN, #48	(1)	
014	99101-1240500	JET, MAIN, #50	(1)	
014	99101-1240520	JET, MAIN, #52	(1)	
014	99101-1240550	JET, MAIN, #55	(1)	



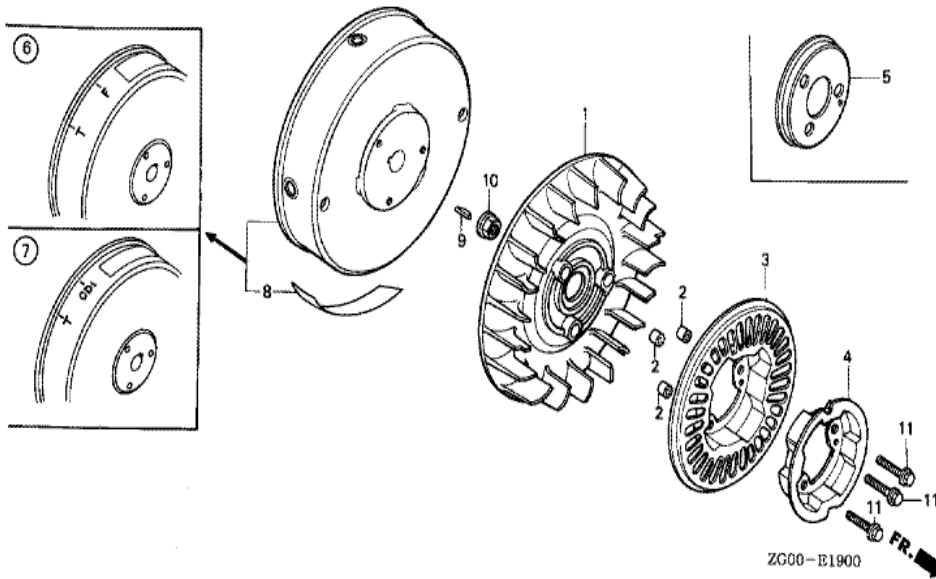
Ref	Partnumber	Description	G100	Serial Numbers
001	15721-896-010	TUBE, BREATHER	1	
002	17211-896-000	ELEMENT, AIR CLEANER	1	
003	17212-896-000	GRID, AIR CLEANER	1	
005	17220-896-000	CASE COMP., AIR CLEANER	1	
007	17231-896-000	COVER, AIR CLEANER	1	
009	90325-044-000	NUT, TOOL BOX SETTING	1	
010	94101-06000	WASHER, PLAIN, 6MM	1	3104275
012	94050-05080	NUT, FLANGE, 5MM	2	



<u>Ref</u>	<u>Partnumber</u>	<u>Description</u>	<u>G100</u>	<u>Serial Numbers</u>
001	183A1-896-690	MUFFLER KIT (ARRESTER)	(1)	
003	18310-896-620	MUFFLER COMP.	(1)	
003	18310-896-690	MUFFLER COMP. (WITH PROTECTOR)	(1)	
005	18310-896-000	MUFFLER COMP. (WITH PROTECTOR)	1	
005	18310-896-630	MUFFLER COMP.	(1)	
006	18320-896-620	PROTECTOR, MUFFLER	(1)	
007	18320-896-000	PROTECTOR, MUFFLER	(1)	
008	18321-896-000	SEPARATOR, MUFFLER	(1)	
009	18331-896-000	DEFLECTOR, MUFFLER	1	3103518
010	18331-896-620	DEFLECTOR, MUFFLER	(1)	
011	18355-959-620	ARRESTER, SPARK	(1)	
012	18381-896-000	GASKET, MUFFLER	1	
014	90183-671-003	SCREW, TAPPING, 4X8	2	1081364
<u>Ref</u>	<u>Partnumber</u>	<u>Description</u>	<u>G100</u>	<u>Serial Numbers</u>
015	93500-060060B	SCREW, PAN, 6X6	3	
017	94101-06000	WASHER, PLAIN, 6MM	(3)	
018	95700-0604008	BOLT, FLANGE, 6X40	2	

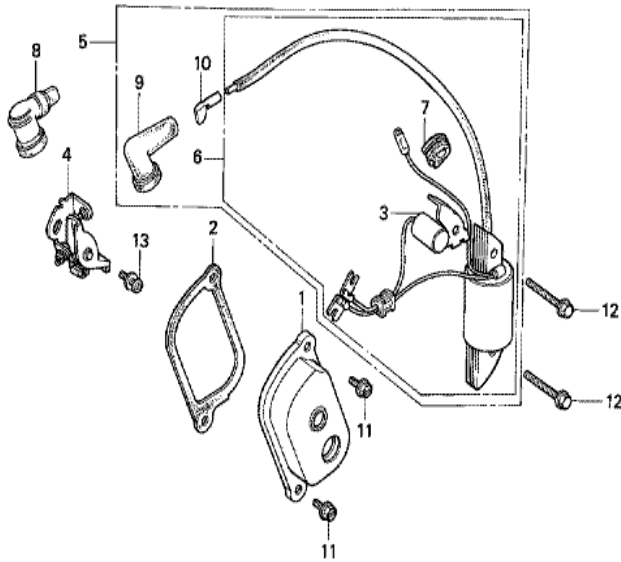


<u>Ref</u>	<u>Partnumber</u>	<u>Description</u>	<u>G100</u>	<u>Serial Numbers</u>
001	16080-883-005	PACKING SET, COCK	(1)	
003	16081-883-015	CUP SET, FUEL STRAINER	(1)	
005	16950-883-025	COCK ASSY., FUEL	(1)	
006	16950-883-662	COCK ASSY., FUEL	(1)	
008	16952-883-005	SCREEN SET	(1)	
010	17510-896-000	TANK COMP., FUEL	1	
014	17620-890-000	CAP COMP., FUEL FILLER	1	
015	17631-329-000	PACKING, FUEL FILLER CAP	1	2172182
017	17672-880-000	FILTER, FUEL	1	2415505
018	17673-893-000	HOLDER, FUEL FILTER	1	2415505
023	94050-06000	NUT, FLANGE, 6MM	2	
025	90438-671-000	WASHER, SPECIAL, 6MM	(2)	
030	95001-4506740	TUBE, FUEL, 4.5X67 (95001-45001-60M)	1	
<u>Ref</u>	<u>Partnumber</u>	<u>Description</u>	<u>G100</u>	<u>Serial Numbers</u>
032	95002-02080	CLIP, TUBE (B8)	2	
034	95700-0601408	BOLT, FLANGE, 6X14	1	



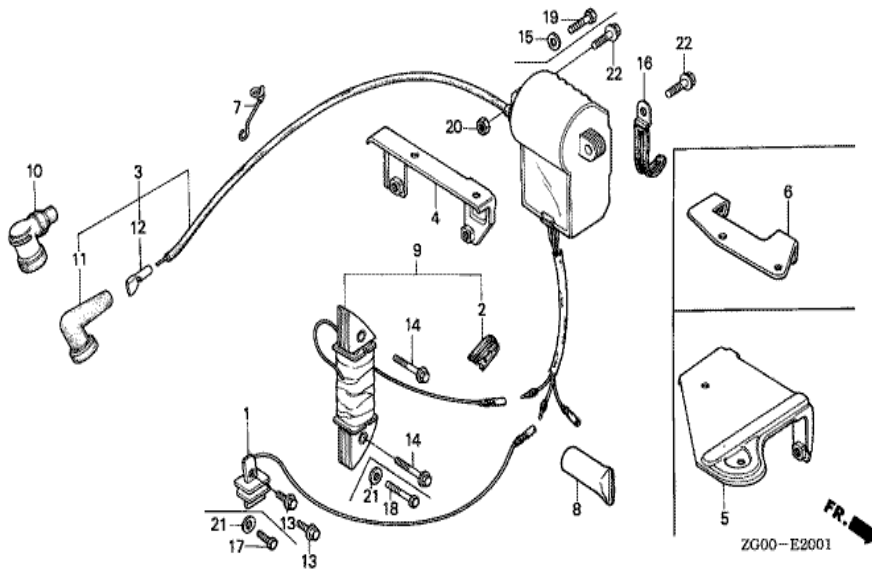
Ref	Partnumber	Description	G100	Serial Numbers
001	19511-896-000	FAN, COOLING	1	
002	19512-896-000	COLLAR, FAN	3	
003	28452-896-000	GRID, SCREEN	1	
004	28453-896-003	PULLEY, STARTER	1	
006	31100-896-010	FLYWHEEL COMP.	(1)	
007	31100-896-601	FLYWHEEL COMP. (C.D.I.)	(1)	
008	87541-896-000	MARK, FLYWHEEL CAUTION	(1)	
009	90741-147-000	KEY, WOODRUFF	1	
010	94050-12080	NUT, FLANGE, 12MM	1	
011	95800-0602208	BOLT, FLANGE, 6X22	3	



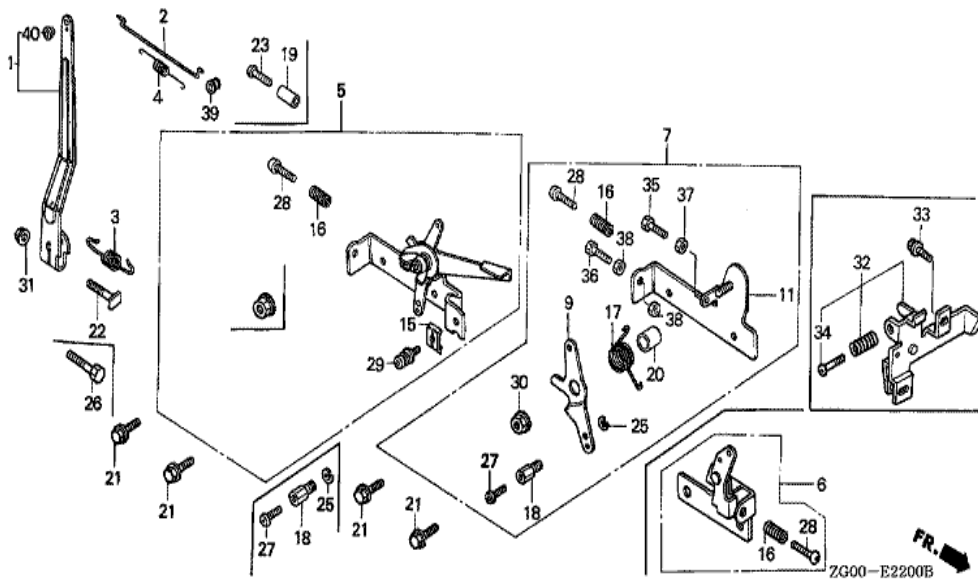


ZG00-E2000

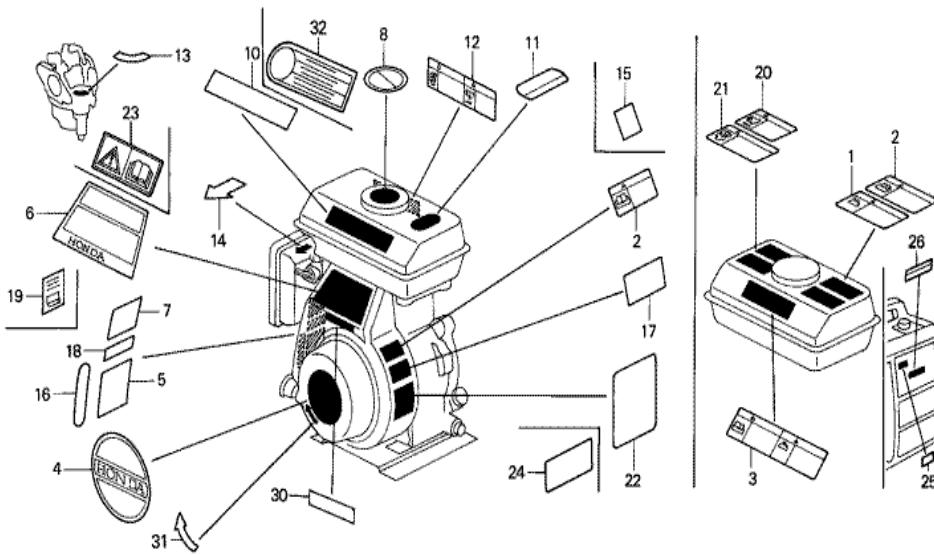
<u>Ref</u>	<u>Partnumber</u>	<u>Description</u>	<u>G100</u>	<u>Serial Numbers</u>
001	30211-896-000	COVER COMP., BREAKER	(1)	
002	30215-896-000	PACKING, BREAKER COVER	(1)	
003	30251-896-003	CONDENSER COMP.	(1)	
004	30280-896-003	BREAKER ASSY., CONTACT	(1)	
006	30560-896-631	COIL ASSY., IGNITION	(1)	
007	30563-883-000	GROMMET, CORD	(1)	
008	30700-896-701	CAP ASSY., NOISE SUPPRESSOR	(1)	
011	90002-892-000	BOLT, FLANGE, 5X10	(2)	
012	90007-896-000	BOLT, FLANGE, 5X25	(2)	
013	90051-883-000	SCREW-WASHER, 5X12	(1)	



<u>Ref</u>	<u>Partnumber</u>	<u>Description</u>	<u>G100</u>	<u>Serial Numbers</u>
001	30410-896-602	COIL, PULSER	1	1051339
002	30563-896-601	GROMMET, CORD	(1)	1051339
003	30580-896-601	C.D.I. UNIT	(1)	
004	30586-896-600	STAY, C.D.I. UNIT	(1)	
007	30588-883-000	CLAMP, HIGH TENSION TUBE	(1)	
008	30589-896-600	COVER, TERMINAL	(1)	
009	30590-896-602	COIL, EXCITER	1	1051339
010	30700-896-701	CAP ASSY., NOISE SUPPRESSOR	(1)	
011	30701-888-004	CAP, HIGH TENSION (TOYO)	(1)	
011	30701-888-013	CAP, HIGH TENSION (SUMITOMO)	(1)	
012	30702-888-003	TERMINAL, PLUG	(1)	
013	90007-892-000	BOLT, FLANGE, 5X12	(2)	
014	90007-896-000	BOLT, FLANGE, 5X25	(2)	
<u>Ref</u>	<u>Partnumber</u>	<u>Description</u>	<u>G100</u>	<u>Serial Numbers</u>
016	91405-671-000	CLIP, WIRE	(1)	
022	95700-0602008	BOLT, FLANGE, 6X20	(2)	

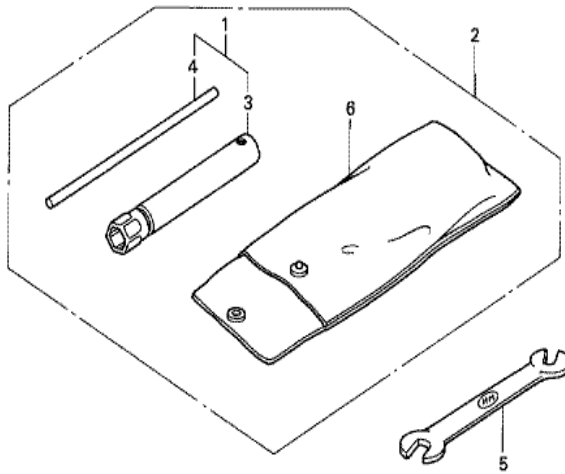


<u>Ref</u>	<u>Partnumber</u>	<u>Description</u>	<u>G100</u>	<u>Serial Numbers</u>	
001	16551-896-000	ARM, GOVERNOR	1		
002	16555-896-000	ROD, GOVERNOR	1		
003	16561-896-000	SPRING, GOVERNOR	1		
004	16562-896-000	SPRING, THROTTLE RETURN	1		
005	16570-896-010	CONTROL ASSY.	1	1023550	1443595
005	16570-ZG0-000	CONTROL ASSY.	(1)	1443596	
007	16570-896-610	CONTROL ASSY.	1		1443595
007	16570-ZG0-810	CONTROL ASSY. (REMOTE)	(1)	1443596	
009	16571-896-610	LEVER, CONTROL	(1)	1315408	1443595
009	16571-ZG0-810	LEVER, CONTROL (REMOTE)	1	1443596	
011	16572-896-610	BASE COMP., CONTROL	1		1443595
011	16572-ZG0-810	BASE COMP., CONTROL (REMOTE)	(1)		
015	16576-891-000	HOLDER, CABLE	1		
<u>Ref</u>	<u>Partnumber</u>	<u>Description</u>	<u>G100</u>	<u>Serial Numbers</u>	
016	16584-883-300	SPRING, CONTROL ADJUSTING	1		3107357
017	16592-896-610	SPRING, RETURN	(1)		
018	16594-883-010	HOLDER, WIRE	1		3266028
020	84705-310-000	COLLAR, RR. FENDER	(1)	1315408	1443595
020	91552-ZG0-810	COLLAR, CONTROL LEVER	1	1443596	
021	95700-0601208	BOLT, FLANGE, 6X12	2		
022	90015-ZE5-010	BOLT, GOVERNOR ARM	1		
025	90605-230-000	CIRCLIP, 5MM	1		3266028
027	93500-040080A	SCREW, PAN, 4X8	1		2143546
028	93500-050200A	SCREW, PAN, 5X20	(1)		2206176
028	93500-050250A	SCREW, PAN, 5X25	1	2208913	
029	93893-0501600	SCREW-WASHER, 5X16	1		2410410
030	94050-06000	NUT, FLANGE, 6MM	1		3266028
031	94050-06000	NUT, FLANGE, 6MM	1	1955482	



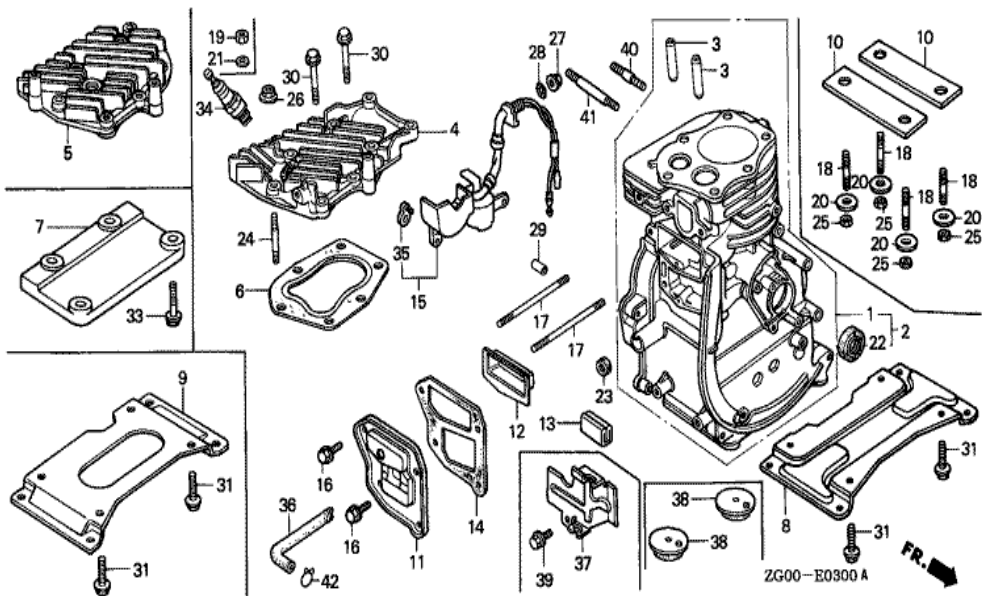
ZG00-E2800

Ref	Partnumber	Description	G100	Serial Numbers
006	87521-896-000	EMBLEM (JAPANESE)	(1)	
006	87521-896-600	EMBLEM (C.D.I.) (JAPANESE)	(1)	
006	87521-896-630	EMBLEM (ENGLISH/FRENCH/SPANISH)	(1)	
006	87521-896-660	EMBLEM (ENGLISH)	(1)	
006	87521-896-680	EMBLEM (GERMAN)	(1)	
010	87522-836-020	MARK A, CAUTION (JAPANESE)	(1)	
011	87522-883-660	MARK, CAUTION (ENGLISH/FRENCH/SPANISH)	(1)	
011	87525-878-000	MARK C, CAUTION	(1)	
014	87528-883-000	MARK, CHOKE (JAPANESE)	(1)	
016	87532-896-000	MARK, THROTTLE (JAPANESE)	(1)	
016	87532-896-680	MARK, THROTTLE (GERMAN)	(1)	
022	87594-883-600	MARK, OIL CAUTION (JAPANESE)	(1)	

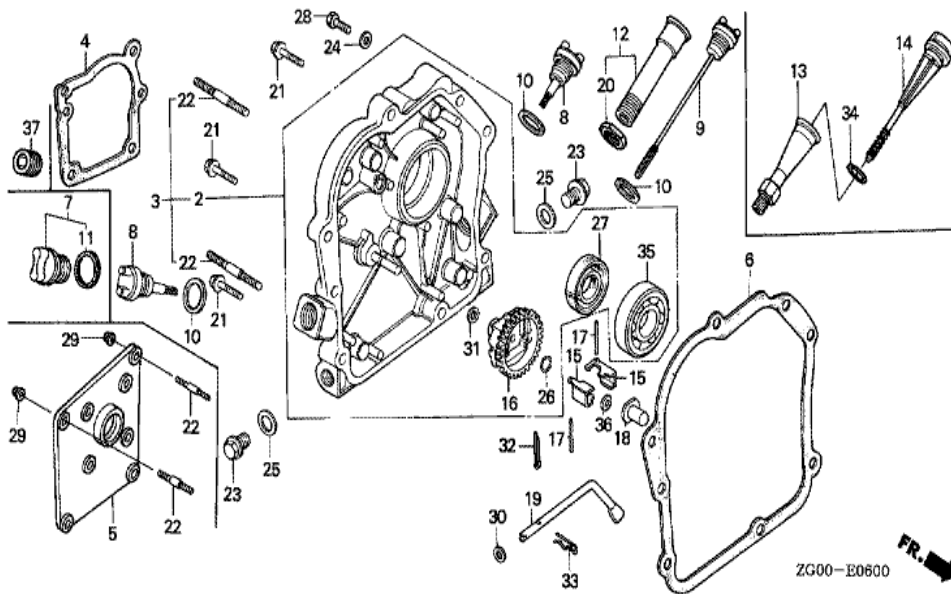


ZG00-E2900

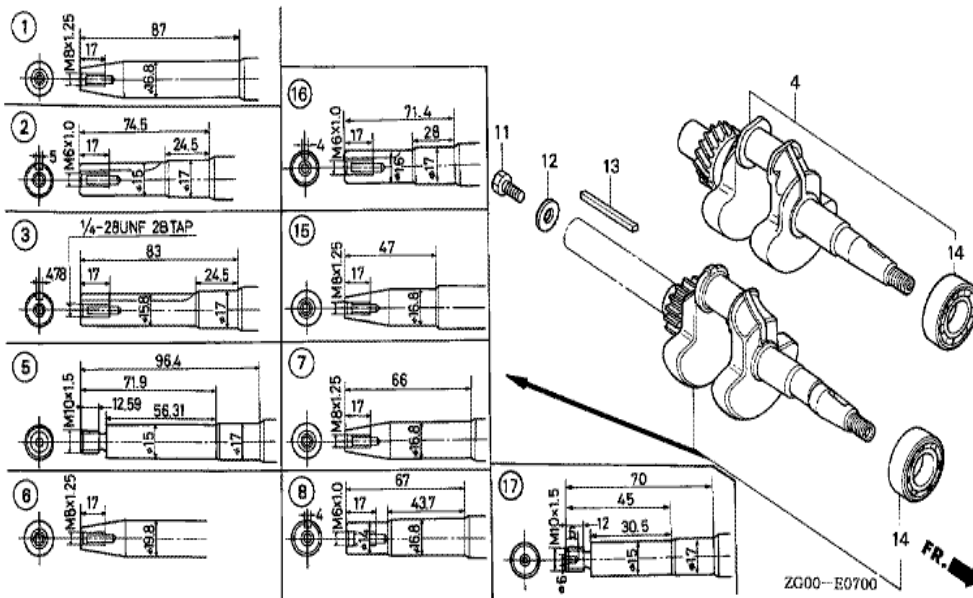
Ref	Partnumber	Description	G100	Serial Numbers
003	89216-888-000	WRENCH, SPARK PLUG	1	3358410
004	89219-805-000	HANDLE, BOX WRENCH	(1)	



Ref	Partnumber	Description	G100	Serial Numbers
001	12100-896-315	BARREL COMP., CYLINDER	1	
003	12133-896-306	GUIDE, VALVE (O.S.)	(2)	
004	12221-896-000	HEAD, CYLINDER	1	
006	12281-896-000	GASKET, CYLINDER HEAD	1	
008	12351-ZG0-000	BED, ENGINE (STD.)	1	1443596
009	12351-896-000	BED, ENGINE	1	1443595
011	12361-896-000	COVER, TAPPET ROOM	1	
012	12370-896-000	SEPARATOR COMP., INNER	1	
014	12375-896-000	GASKET, TAPPET COVER	1	
016	90002-892-000	BOLT, FLANGE, 5X10	4	
017	90041-896-000	BOLT, STUD, 5X80	2	3047225
022	91202-892-003	OIL SEAL, 17X30X6 (ARAI)	1	
022	91202-892-004	OIL SEAL, 17X30X6 (NOK)	1	
Ref	Partnumber	Description	G100	Serial Numbers
023	91231-816-000	OIL SEAL, 5X10X4	1	
024	92700-060453B	BOLT, STUD, 6X45	2	
026	94050-06080	NUT, FLANGE, 6MM	2	
029	94301-08140	DOWEL PIN, 8X14	2	
030	95718-0603508	BOLT, FLANGE, 6X35	4	1001096
031	95700-0801808	BOLT, FLANGE, 8X18	4	
034	98073-54740	PLUG, SPARK (BM-4A) (NGK)	(1)	
034	98073-54744	PLUG, SPARK (BMR-4A) (NGK)	(1)	
034	98073-54750	PLUG, SPARK (W14M-U) (DENSO)	(1)	
034	98073-54754	PLUG, SPARK (W14MR-U) (DENSO)	(1)	
034	98073-54941	PLUG, SPARK (BPM4A-10) (NGK)	(1)	
034	98073-54951	PLUG, SPARK (W14MPU-10) (DENSO)	(1)	

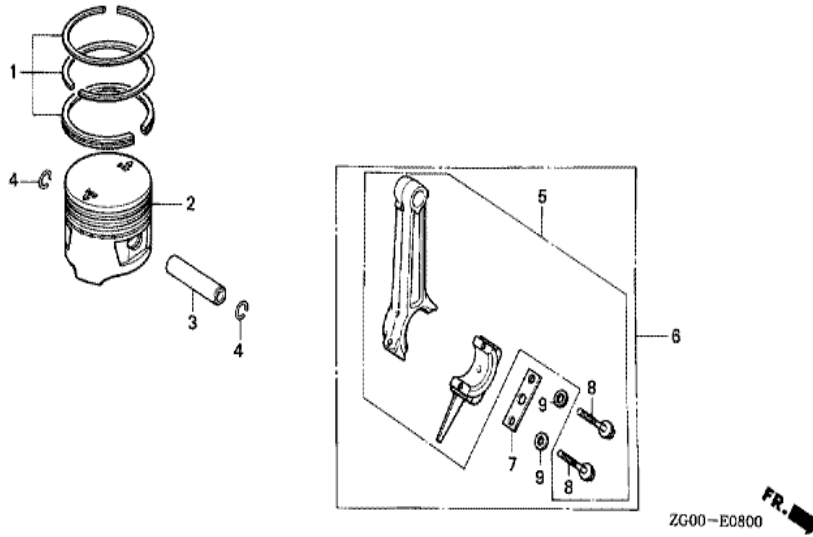


<u>Ref</u>	<u>Partnumber</u>	<u>Description</u>	<u>G100</u>	<u>Serial Numbers</u>
002	11300-896-620	COVER ASSY., CRANKCASE	1	
006	11381-896-000	GASKET, CASE COVER	1	
008	15620-896-000	CAP, OIL FILLER	(2)	
010	15621-896-010	PACKING, OIL FILLER CAP	(2)	
015	16511-896-000	WEIGHT, GOVERNOR	2	
016	16512-896-300	HOLDER, GOVERNOR WEIGHT	1	1443595
017	16513-ZE1-000	PIN, GOVERNOR WEIGHT	2	
018	16531-896-000	SLIDER, GOVERNOR	1	1443595
019	16541-896-000	SHAFT, GOVERNOR ARM	1	
021	95700-0602808	BOLT, FLANGE, 6X28	6	
023	90131-883-000	BOLT, DRAIN PLUG, 12X15	2	
025	94109-12000	WASHER, DRAIN PLUG, 12MM	2	
026	90602-ZE1-000	CLIP, GOVERNOR HOLDER	1	
<u>Ref</u>	<u>Partnumber</u>	<u>Description</u>	<u>G100</u>	<u>Serial Numbers</u>
027	91202-892-004	OIL SEAL, 17X30X6 (NOK)	1	
030	94101-05800	WASHER, PLAIN, 5MM	1	
031	94101-06800	WASHER, PLAIN, 6MM	1	
032	94201-25280	PIN, SPLIT, 2.5X28	2	1443595
033	94251-08000	PIN, LOCK, 8MM	1	
035	96100-6203000	BEARING, RADIAL BALL, 6203	1	

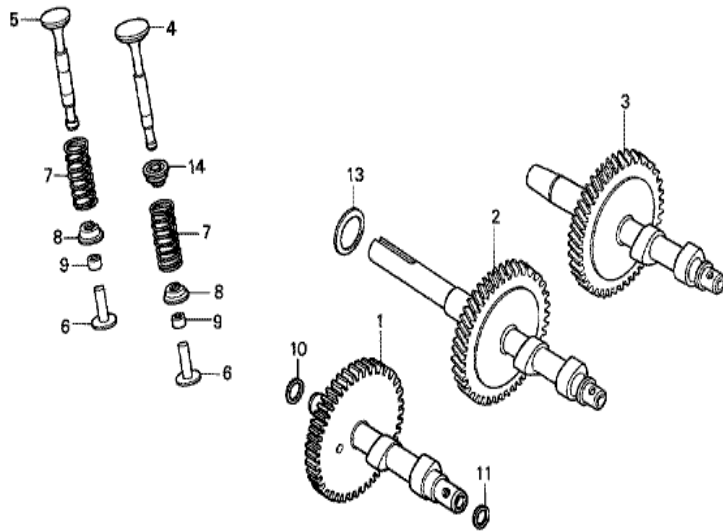


Ref	Partnumber	Description	G100	Serial Numbers
002	13310-896-000	CRANKSHAFT COMP.	1	
011	92000-06018	BOLT, HEX., 6X18	(1)	
012	90473-896-000	WASHER, 6MM	(1)	
013	90741-883-810	KEY, 5X5X33 (YELLOW)	1	2335492
013	90746-835-000	KEY, 5X5X33	(1)	
014	96100-6203000	BEARING, RADIAL BALL, 6203	1	





<u>Ref</u>	<u>Partnumber</u>	<u>Description</u>	<u>G100</u>	<u>Serial Numbers</u>
001	130A1-896-003	RING SET, PISTON (STD.) (TEIKOKU)	1	
001	130A1-896-004	RING SET, PISTON (STD.) (NIPPON)	1	
001	130B1-896-003	RING SET, PISTON (0.25) (TEIKOKU)	(1)	
001	130B1-896-004	RING SET, PISTON (0.25) (NIPPON)	(1)	
001	130C1-896-003	RING SET, PISTON (0.50) (TEIKOKU)	(1)	
001	130C1-896-004	RING SET, PISTON (0.50) (NIPPON)	(1)	
001	130D1-896-003	RING SET, PISTON (0.75) (TEIKOKU)	(1)	
001	130D1-896-004	RING SET, PISTON (0.75) (NIPPON)	(1)	
002	13101-892-000	PISTON (STD.)	1	
002	13102-892-000	PISTON (0.25)	(1)	
002	13103-892-000	PISTON (0.50)	(1)	
002	13104-892-000	PISTON (0.75)	(1)	
003	13111-892-000	PIN, PISTON	1	
<u>Ref</u>	<u>Partnumber</u>	<u>Description</u>	<u>G100</u>	<u>Serial Numbers</u>
004	13115-147-000	CLIP, PISTON PIN, 10MM	2	
005	13200-ZG0-000	ROD ASSY., CONNECTING (STD.)	1	1443596
005	13200-ZG0-305	ROD ASSY., CONNECTING (0.25 UNDER SIZE)	(1)	1443596
006	13200-892-000	ROD ASSY., CONNECTING	1	1443595
006	13200-892-305	ROD ASSY., CONNECTING (0.25 UNDER SIZE)	(1)	1443595
007	13213-892-000	WASHER, CONNECTING ROD	1	1443595
008	90001-892-003	BOLT, CONNECTING ROD	2	1443595
008	90001-ZG0-000	BOLT, CONNECTING ROD	2	1443596
009	90456-892-000	WASHER, LOCK	2	1443595

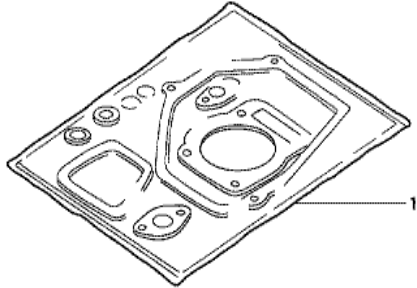


ZG00-E0900

<u>Ref</u>	<u>Partnumber</u>	<u>Description</u>	<u>G100</u>	<u>Serial Numbers</u>
001	14111-896-010	CAMSHAFT COMP.	1	1063119
004	14711-896-000	VALVE, IN.	1	
005	14721-896-000	VALVE, EX.	1	
006	14732-892-010	LIFTER, VALVE	2	1085263
007	14751-896-000	SPRING, VALVE	2	
008	14771-892-000	RETAINER, VALVE SPRING	2	1443595
008	14771-ZG0-000	RETAINER, VALVE SPRING	2	1443596
009	14801-892-000	ADJUSTER, TAPPET CLEARANCE (3.15)	2	
009	14803-892-000	ADJUSTER, TAPPET CLEARANCE (3.25)	2	
009	14806-892-000	ADJUSTER, TAPPET CLEARANCE (3.34)	2	
009	14809-892-000	ADJUSTER, TAPPET CLEARANCE (3.43)	2	
009	14812-892-000	ADJUSTER, TAPPET CLEARANCE (3.52)	2	
009	14815-892-000	ADJUSTER, TAPPET CLEARANCE (3.61)	2	
<u>Ref</u>	<u>Partnumber</u>	<u>Description</u>	<u>G100</u>	<u>Serial Numbers</u>
009	14818-892-000	ADJUSTER, TAPPET CLEARANCE (3.72)	2	
009	14820-892-000	ADJUSTER, TAPPET CLEARANCE (3.82)	2	
010	90412-329-000	WASHER, THRUST, 10MM	1	1033289
011	90452-892-000	WASHER, THRUST, 16MM	1	1033289

G100(SW)

EOP-1 GASKET KIT



HENG-X0003

<u>Ref</u>	<u>Partnumber</u>	<u>Description</u>	<u>G100</u>	<u>Serial Numbers</u>
001	061A1-896-000	GASKET KIT	1	1061542